



POWER
TOOLS

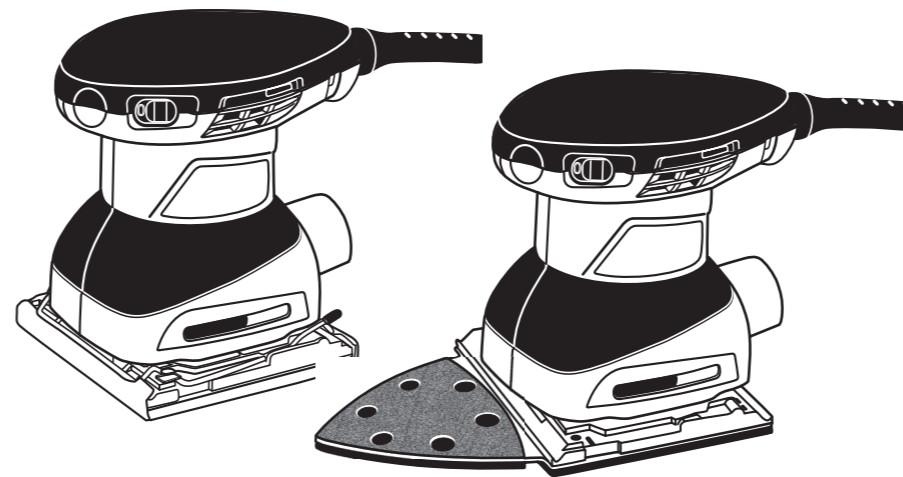
SPARKY

www.sparky.eu



PROFESSIONAL

(EN)	SHEET SANDER • MULTI SANDER	1 – 7
	Original instructions	
(DE)	SCHWINGSCHLEIFER • MULTISCHLEIFER	8 – 15
	Originalbetriebsanleitung	
(FR)	PONCEUSE VIBRANTE • PONCEUSE MULTI	16 – 23
	Notice originale	
(IT)	LEVIGATRICE ORBITALE • LEVIGATRICE MULTIFUNZIONE	24 – 30
	Istruzioni originali	
(ES)	LIJADORA ORBITAL • MULTI LIJADORA	31 – 38
	Instrucciones de uso originales	
(PT)	LIXADEIRA DE PLACA • LIXADEIRA MULTIFUNCIONAL	39 – 46
	Instrução original para o uso	
(PL)	SZLIFIERKA OSCYLACYJNA • MULTISZLIFIERKA	47 – 53
	Instrukcja oryginalna	
(RU)	ВИБРОШЛИФОВАЛЬНАЯ МАШИНА • МУЛЬТИШЛИФМАШИНА	54 – 61
	Оригинальная инструкция по эксплуатации	
(UK)	ВІБРОШЛІФОВАЛЬНА МАШИНА • МУЛЬТИШЛІФМАШИНА	62 – 69
	Оригінальна інструкція з експлуатації	
(BG)	ПЛОСКОШЛИФОВЪЧНА МАШИНА • МУЛТИШЛИФОВЪЧНА МАШИНА	70 – 77
	Оригинална инструкция за използване	



250W

MP 250 • MP 251

(EN) DECLARATION OF CONFORMITY

We declare under our sole responsibility that this product fulfils all the relevant provisions of the following directives and the harmonized standards: 2006/42/EC, 2004/108/EC, 2011/65/EC, EN 60745-1, EN 60745-2-4, EN 55014-1, EN 55014-2, EN 61000-3-2, EN 61000-3-3. Technical file is stored at SPARKY ELTOS AG, Kubrat Str. 9, 5500 Lovetch, Bulgaria.

(DE) KONFORMITÄTSERKLÄRUNG

Hiermit versichern wir unsere persönliche Haftung, dass dieses Erzeugnis allen einschlägigen Bestimmungen folgender Richtlinien und entsprechender harmonisierter Standards entspricht:

2006/42/EC, 2004/108/EC, 2011/65/EC, EN 60745-1, EN 60745-2-4, EN 55014-1, EN 55014-2, EN 61000-3-2, EN 61000-3-3.

Die technischen Unterlagen werden bei SPARKY ELTOS AG, Kubrat Str.9, 5500 Lovetch, Bulgarien, aufbewahrt.

(FR) DECLARATION DE CONFORMITE

Nous déclarons sous notre responsabilité que ce produit satisfait à l'ensemble des dispositions pertinentes de la présente directives, respectivement aux normes harmonisées:

2006/42/EC, 2004/108/EC, 2011/65/EC, EN 60745-1, EN 60745-2-4, EN 55014-1, EN 55014-2, EN 61000-3-2, EN 61000-3-3.

Le dossier technique est conservé par SPARKY ELTOS AD, 9, rue Kubrat, Lovech, Bulgarie.

(IT) DICHIARAZIONE DI CONFORMITÀ

Noi dichiariamo sotto la nostra personale responsabilità, che questo prodotto è in conformità a tutte le disposizioni pertinenti della presente direttive e norme armonizzate:

2006/42/EC, 2004/108/EC, 2011/65/EC, EN 60745-1, EN 60745-2-4, EN 55014-1, EN 55014-2, EN 61000-3-2, EN 61000-3-3.

Il fascicolo tecnico viene custodito presso la SPARKY ELTOS, 5500 Lovech, via Kubrat n. 9, Bulgaria

(ES) DECLARACIÓN DE CONFORMIDAD

Declaramos bajo nuestra exclusiva responsabilidad que este producto está conforme con todas las disposiciones aplicables de la presente directrices aplicables y las correspondientes normas armonizadas:

2006/42/EC, 2004/108/EC, 2011/65/EC, EN 60745-1, EN 60745-2-4, EN 55014-1, EN 55014-2, EN 61000-3-2, EN 61000-3-3.

El expediente técnico está archivado en SPARKY ELTOS SA, C/ Kubrat, 9, 5500 Lovech, Bulgaria.

(PT) DECLARAÇÃO DE CONFORMIDADE

Declaramos assumindo a nossa responsabilidade pessoal que este produto está conforme com todas as disposições relevantes da presente directrizes aplicáveis e respectivos estandartes harmonizados:

2006/42/EC, 2004/108/EC, 2011/65/EC, EN 60745-1, EN 60745-2-4, EN 55014-1, EN 55014-2, EN 61000-3-2, EN 61000-3-3.

O expediente técnico fica guardado na SPARKY ELTOS SA, rua Kubrat, 9, 5500 Lovech, Bulgária

(PL) DEKLARACJA ZGODNOŚCI

Niniejszym deklarujemy naszą osobistą odpowiedzialnością, że ten produkt spełnia wszystkie odpowiednie postanowienia następujących dyrektyw i harmonizowanych standardów:

2006/42/EC, 2004/108/EC, 2011/65/EC, EN 60745-1, EN 60745-2-4, EN 55014-1, EN 55014-2, EN 61000-3-2, EN 61000-3-3.

Teczka techniczna przechowywana jest w SPARKY ELTOS AG, Kubrat Str.9, 5500 Lovetch, Bulgaria

(RU) ДЕКЛАРАЦИЯ О СООТВЕТСТВИИ

Мы заявляем со всей ответственностью, что данный продукт полностью соответствует всем соответствующим требованиям действующих директив и гармонизированных стандартов:

2006/42/EC, 2004/108/EC, 2011/65/EC, EN 60745-1, EN 60745-2-4, EN 55014-1, EN 55014-2, EN 61000-3-2, EN 61000-3-3.

Техническое досье хранится в СПАРКИ ЕЛТОС АД, ул. Кубрат №9, 5500 Ловеч, Болгария.

(UK) ДЕКЛАРАЦІЯ ПРО ВІДПОВІДНІСТЬ

Ми заявляємо під свою власну відповідальність, що даний продукт відповідає всім діючим вимогам директив і гармонізованих стандартів:

2006/42/EC, 2004/108/EC, 2011/65/EC, EN 60745-1, EN 60745-2-4, EN 55014-1, EN 55014-2, EN 61000-3-2, EN 61000-3-3.

Технічне досьє зберігається в СПАРКИ ЕЛТОС АД, ул. Кубрат № 9, 5500 Ловеч, Болгарія.

(BG) ДЕКЛАРАЦИЯ ЗА СЪОТВЕТСТВИЕ

Ние декларираме на своя лична отговорност, че това изделие отговаря на всички приложими изисквания на следните директиви и хармонизирани стандарти:

2006/42/EC, 2004/108/EC, 2011/65/EC, EN 60745-1, EN 60745-2-4, EN 55014-1, EN 55014-2, EN 61000-3-2, EN 61000-3-3.

Техническото досие се съхранява в СПАРКИ ЕЛТОС АД, ул. Кубрат №9, 5500 Ловеч, България.

Manufacturer
SPARKY Power Tools GmbH
Leipziger Str. 20
10117 Berlin, GERMANY

Signature of authorized person

A. Ivanov
Technical director of SPARKY ELTOS AG

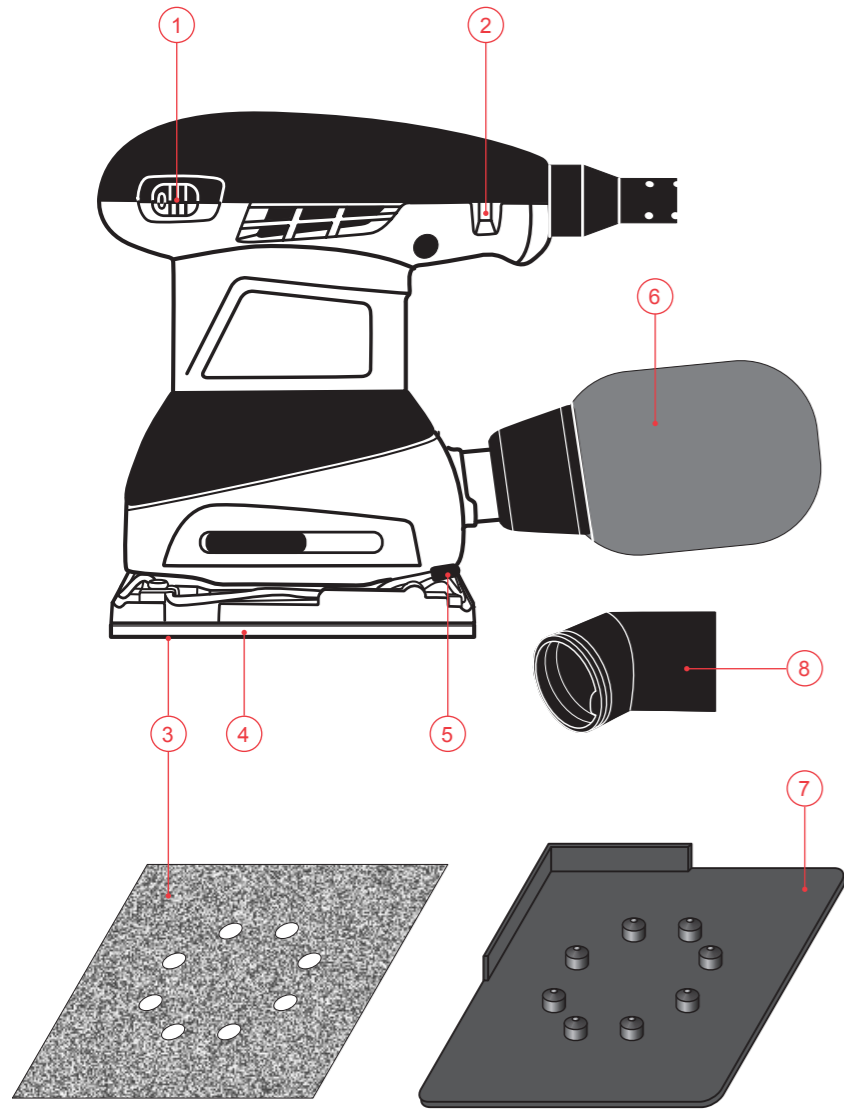
23 January 2013

1405R03

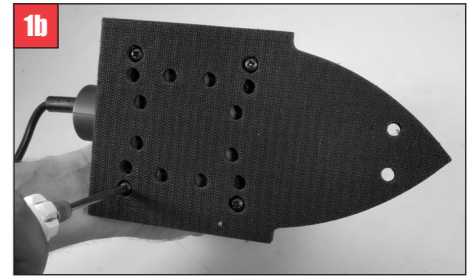
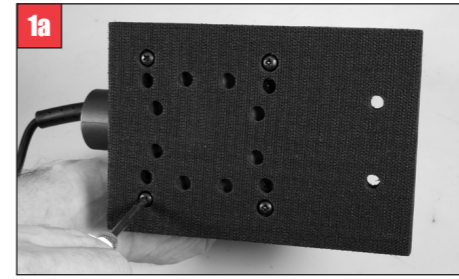
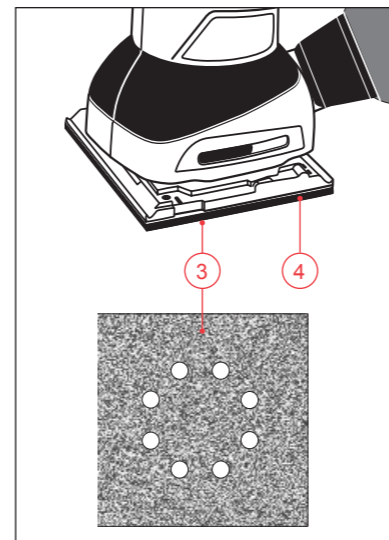
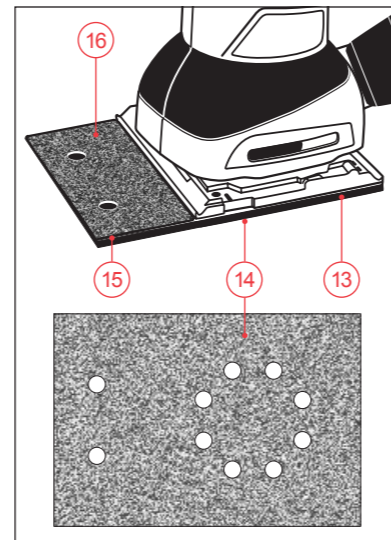
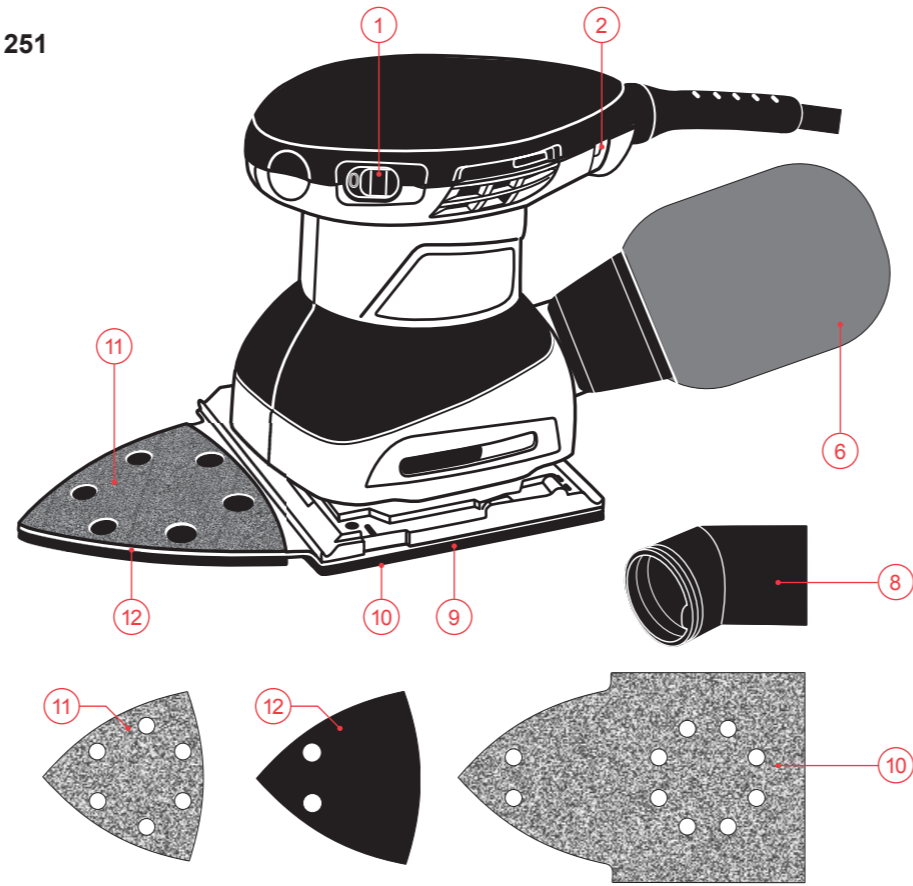
© 2010 SPARKY

www.sparky.eu

MP 250



MP 251



Contents

Introduction	1
Technical specifications.....	3
General power tool safety warnings	4
Sheet sander safety warnings.....	5
Know your product	A/5
Operation.....	6
Maintenance	7
Warranty.....	7

UNPACKING

Due to modern mass production techniques, it is unlikely that your power tool is faulty or that a part is missing. If you find anything wrong, do not operate the tool until the parts have been replaced or the fault has been rectified. Failure to do so could result in serious personal injury.

ASSEMBLY

MP 250, packed in a box, is fully assembled except for the adapter and the dust bag.

MP 251, packed in a case, is fully assembled except for the adapter and the dust bag.

Introduction

Your new SPARKY power tool will more than satisfy your expectations. It has been manufactured under stringent SPARKY Quality Standards to meet superior performance criteria. You will find your new tool easy and safe to operate, and, with proper care, it will give you many years of dependable service.



WARNING:

Carefully read through this entire Original Instructions before using your new SPARKY power tool. Take special care to heed the **Warnings**. Your SPARKY power tool has many features that will make your job faster and easier. Safety, performance, and dependability have been given top priority in the development of this tool, making it easy to maintain and operate.



Do not dispose of electrical products together with household waste!

Waste electrical products should not be disposed of with household waste. Please recycle where facilities exist. Check with your local authority or retailer for recycling advice.



ENVIRONMENTAL PROTECTION

The machine, accessories and packaging should be sorted for environmental-friendly recycling. The plastic components are labelled for categorised recycling.

DESCRIPTION OF SYMBOLS

The rating plate on your tool may show symbols. These represent important information about the product or instructions on its use.



Double insulated for additional protection



Connection to vacuum cleaner



Conforms to the relevant European Directives



Conforms to the requirements of Russian standards



Conforms to the requirements of Ukrainian standards



Refer to original instructions

YYYY-Www

Production period, where the variable symbols are:
YYYY - year of manufacture, **ww** - calendar week number

MP

SHEET SANDER

Technical specifications

Model	MP 250 • MP 251
▪ Power input	250 W
▪ No load speed	14000 min ⁻¹
▪ Eccentricity	1,5 mm
▪ Pad size (MP 250)	108x112 mm
▪ Pad size (MP 251)	108x112 mm 162x112 mm 196x112 mm
▪ Weight (EPTA Procedure 01/2003)	1,55 kg
▪ Protection class (EN 60745-1) 	II



NOISE AND VIBRATION INFORMATION (Measured values determined according to EN 60745)

▪ Noise emission	
A-weighted sound pressure level L_{pA}	79 dB (A)
Uncertainty K_{pA}	3 dB (A)
A-weighted sound power level L_{WA}	90 dB (A)
Uncertainty K_{WA}	3 dB (A)



Wear hearing protection!

▪ **Vibration emission ***

Total vibration values (vector sum in the three axes) determined according to EN 60745:

▪ Sanding	
Vibration emission value a_h	6,3 m/s ²
Uncertainty K	1,5 m/s ²

* The vibration emission values are determined according to 6.2.7 EN 60745-1.

The vibration emission level given in this information sheet has been measured in accordance with a standardised test given in EN 60745 and may be used to compare one tool with another. It may be used for a preliminary assessment of exposure.

The declared vibration emission level represents the main applications of the tool. However if the tool is used for different applications, with different accessories or poorly maintained, the vibration emission may differ. This may significantly increase the exposure level over the total working period.

An estimation of the level of exposure to vibration should also take into account the times when the tool is switched off or when it is running but not actually doing the job. This may significantly reduce the exposure level over the total working period.

Maintain the power tool and the accessories and keep your hands warm during operation to reduce the harmful effect of vibrations.

Dust from material such as paint containing lead, some wood species, minerals and metal may be harmful. Contact with or inhalation of the dust may cause allergic reactions and/or respiratory diseases to the operator or bystanders.

Certain kinds of dust are classified as carcinogenic such as oak and beech dust especially in conjunction with additives for wood conditioning (chromate, wood preservative). Material containing asbestos must only be treated by specialists.

- Where the use of a dust extraction device is possible it shall be used.
- To achieve a high level of dust collection, use vacuum cleaner for wood or for wood and/or minerals together with this tool.
- The work place must be well ventilated.
- The use of a dust mask of filter class P2 is recommended.

Follow national requirements for the materials you want to work with.

General power tool safety warnings



WARNING! Read all safety warnings and all instructions. Failure to follow the warnings and instructions may result in electric shock, fire and/or serious injury.

Save all warnings and instructions for future reference.

The term "power tool" in the warnings refers to your mains-operated (corded) power tool or battery-operated (cordless) power tool.

1. WORK AREA SAFETY

- a) Keep work area clean and well lit. Cluttered or dark areas invite accidents.
- b) Do not operate power tools in explosive atmospheres, such as in the presence of flammable liquids, gases or dust. Power tools create sparks which may ignite the dust or fumes.
- c) Keep children and bystanders away while operating a power tool. Distractions can cause you to lose control.

2. ELECTRICAL SAFETY

- a) Power tool plugs must match the outlet. Never modify the plug in any way. Do not use any adapter plugs with earthed (grounded) power tools. Unmodified plugs and matching outlets will reduce risk of electric shock.
- b) Avoid body contact with earthed or grounded surfaces, such as pipes, radiators, ranges and refrigerators. There is an increased risk of electric shock if your body is earthed or grounded.
- c) Do not expose power tools to rain or wet conditions. Water entering a power tool will increase the risk of electric shock.
- d) Do not abuse the cord. Never use the cord for carrying, pulling or unplugging the power tool. Keep cord away from heat, oil, sharp edges or moving parts. Damaged or entangled cords increase the risk of electric shock.
- e) When operating a power tool outdoors, use an extension cord suitable for outdoor use. Use of a cord suitable for outdoor use reduces the risk of electric shock.
- f) If operating a power tool in a damp location is unavoidable, use a residual current device (RCD) protected supply. Use of an RCD reduces the risk of electric shock.

3. PERSONAL SAFETY

- a) Stay alert, watch what you are doing and use common sense when operating a power tool. Do not use a power tool while you are tired or under the influence of drugs, alcohol or medication. A moment of inattention while operating power tools may result in serious personal injury.

- b) Use personal protective equipment. Always wear eye protection. Protective equipment such as dust mask, non-skid safety shoes, hard hat, or hearing protection used for appropriate conditions will reduce personal injuries.
- c) Prevent unintentional starting. Ensure the switch is in the off-position before connecting to power source and/or battery pack, picking up or carrying the tool. Carrying power tools with your finger on the switch or energising power tools that have the switch on invites accidents.
- d) Remove any adjusting key or wrench before turning the power tool on. A wrench or a key left attached to a rotating part of the power tool may result in personal injury.
- e) Do not overreach. Keep proper footing and balance at all times. This enables better control of the power tool in unexpected situations.
- f) Dress properly. Do not wear loose clothing or jewellery. Keep your hair, clothing and gloves away from moving parts. Loose clothes, jewellery or long hair can be caught in moving parts.
- g) If devices are provided for the connection of dust extraction and collection facilities, ensure these are connected and properly used. Use of dust collection can reduce dust-related hazards.

4. POWER TOOL USE AND CARE

- a) Do not force the power tool. Use the correct power tool for your application. The correct power tool will do the job better and safer at the rate for which it was designed.
- b) Do not use the power tool if the switch does not turn it on and off. Any power tool that cannot be controlled with the switch is dangerous and must be repaired.
- c) Disconnect the plug from the power source and/or the battery pack from the power tool before making any adjustments, changing accessories, or storing power tools. Such preventive safety measures reduce the risk of starting the power tool accidentally.
- d) Store idle power tools out of the reach of children and do not allow persons unfamiliar with the power tool or these instructions to operate the power tool. Power tools are dangerous in the hands of untrained users.
- e) Maintain power tools. Check for misalignment or binding of moving parts, breakage of parts and any other condition that may affect the power tool's operation. If damaged, have the power tool repaired before use. Many accidents are caused by poorly maintained power tools.
- f) Keep cutting tools sharp and clean. Properly maintained cutting tools with sharp cutting edges are less likely to bind and are easier to control.
- g) Use the power tool, accessories and tool bits etc. in accordance with these instructions, taking into account the working conditions and the work to be performed. Use of the pow-

er tool for operations different from those intended could result in a hazardous situation.

5. SERVICE

- a) Have your power tool serviced by a qualified repair person using only identical replacement parts. This will ensure that the safety of the power tool is maintained.

Sheet sander safety warnings



Wear hearing protection during continuous operation. Exposure to noise can cause hearing loss.



During operation provide eye protection to prevent eyes from exposure to flying particles. Wear goggles.



Take protective measures against inhalation of dust. Some materials can contain toxic ingredients. Wear a dust mask and work with dust/chip extraction when connectable.

- Do not process materials containing asbestos. Asbestos is considered carcinogenic.
- Use of protective gloves is recommended.



WARNING: Before connecting a tool to a power source be sure that the voltage supply is the same as that specified on the nameplate of the tool.

- A power source with a voltage greater than that specified for the tool can result in serious injury to the user, as well as damage to the tool.
- If in doubt, do not plug in the tool.
- Using a power source with a voltage less than the nameplate rating is harmful to the motor.
- Fully unwind cable drum extensions to avoid potential overheating.
- When an extension cable is required, you must ensure that it has the right ampere rating for your power tool and it is in safe electrical condition.



WARNING: Always switch off and unplug the power tool prior to any adjustment, servicing or maintenance or in case of mains drop-out.

- Use the power tool for dry sanding only.
- Use clamps or a vice to secure your work whenever possible.
- Use perforated hook-and-loop sandpaper with the prescribed dimensions.
- A sanding sheet that has been used for metal should not be used for other materials.
- Never switch on the orbital sander under load and leave it down only after final arrest.
- Do not overload the machine: operate with moderate pressure. Overloading occurs when you apply excessive pressure, resulting in decrease of motor speed, which may cause inefficient operation and possible fault of the motor.

- Keep work area clean. Blends of materials are particularly dangerous. Dust from light alloys can burn or explode.
- The presence of harmful toxic dust, separated during processing materials containing lead, quartz (Silicium Dioxide), touching or inhaling it may be hazardous to the health of the operator or observers.
- Always keep the cord away from the working area of the power tool.
- Never use the machine with a damaged cable. Do not touch the damaged cable and pull the mains plug when the cable is damaged while operating. Damaged cables increase the risk of electric shock.
- The tool must be used only for its prescribed purpose. Any use other than those mentioned in this Manual will be considered a case of misuse. The user and not the manufacturer shall be liable for any damage or injury resulting from such cases of misuse.
- To use this tool properly, you must observe the safety regulations, the assembly instructions and the operating instructions found in this Manual. All persons who use and service the machine have to be acquainted with this Manual and must be informed about its potential hazards. Children and frail people must not use this tool. Children should be supervised at all times if they are in the area in which the tool is being used. It is also imperative that you observe the accident prevention regulations in force in your area. The same applies for general rules of occupational health and safety.
- The manufacturer shall not be liable for any changes made to the tool nor for any damage resulting from such changes.
- Power tools must not be used outdoors in rainy weather, or in moist environment (after rain) or in close vicinity with easily flammable liquids and gases. The working place should be well lit.

Know your product

Before using the power tool, familiarize yourself with all the operating features and safety requirements.

Use the tool and accessories only for the applications intended. All other applications are expressly ruled out.

1. ON/OFF switch
2. Power indicator
3. Abrasive sheet (sandpaper) (MP 250)
4. Sanding plate (MP 250)
5. Clamp (MP 250)
6. Dust collector bag
7. Punch guide (MP 250)
8. Dust extraction adapter
9. Multipurpose sanding plate (MP 251)
10. Perforated abrasive sheet (MP 251)
11. Upper abrasive sheet (MP 251)
12. Upper foam pad (MP 251)
13. Multipurpose sanding plate (MP 251)
14. Rectangular perforated abrasive sheet (MP 251)
15. Upper foam pad (MP 251)
16. Upper abrasive sheet (MP 251)

Operation

This power tool is supplied from single-phase alternating current mains only. It is double insulated according to EN 60745-1 and IEC 60745 and can be connected to grounded or not grounded sockets. This power tool is radio suppressed in compliance with EMC Directive 2004/108/EC.

This power tool is designed for sanding and polishing flat and convex metal, plastics and wood surfaces.

PRIOR TO INITIAL OPERATION

- Make sure the power supply voltage corresponds to the value indicated on the name plate with the technical data of the tool.
- Always check the position of ON/OFF switch. The router must be connected to the power supply socket only when this switch is in OFF position.
- Make sure that the cord and the plug are in order. If the replacement of the supply cord is necessary, this has to be done by the manufacturer or his agent in order to avoid a safety hazard.



WARNING: Before using the sander with metal, always remove the dust bag from the outlet as sparks may ignite the dust or the bag.



WARNING: Always switch off and unplug the power tool prior to any adjustment, servicing or maintenance.

SWITCHING ON - SWITCHING OFF

Switching on: Shift the ON/OFF switch slider (1) to "I" position.

Switching off: Shift the ON/OFF switch slider (1) to "O" position.

MOUNTING THE SANDPAPER

MP 250

Use ordinary or hook-and-loop sandpaper sheets.

When using ordinary sandpaper:

Withdraw the plug from the mains socket. Clean sanding pad (4). When mounting or replacing the sandpaper, open clamps (5).

Place the end of the sheet under the opened clamp (5) and tighten it. Stretch properly sandpaper sheet (3) on the sanding pad, then tighten the other end of the sheet with the second clamp.

To ensure the proper apertures disposition, convenient assembly and optimum alignment of the plate and sandpaper sheet apertures use the punch guide (7).

When using hook-and-loop sandpaper:

Withdraw the plug from the power supply socket. Clean up the sanding plate (4). Press the sandpaper (3) to the sanding plate (4).

Ensure the alignment of the plate and the sanding sheet apertures to achieve proper dust extraction. To ensure

convenient assembly and optimum alignment of the plate and sandpaper sheet apertures use the punch guide (7).

MP 251

Use hook-and-loop sandpaper sheets.

Withdraw the plug from the power supply socket. Depending on the work to be done select one of the sanding plates. To replace the sanding plate use a crosshead screwdriver to remove the 4 screws, mount the other plate and fasten the screws again. (Fig. 1a, fig. 1b)

Clean up the sanding plate. If necessary attach the upper foam pad above the upper side of the sanding plate. Press the sandpaper to the sanding plate.

Ensure the alignment of the plate and the sanding sheet apertures to achieve proper dust extraction.

SANDING

Place the orbital sander flat on the machined piece. Move the machine in successive passes length- and crosswise. Do not press the tool hard against the machined surface. With increasing pressure, efficiency does not increase, but drops. Occasionally toss the abrasive sheet to clean it from accumulated dust and prevent clogging.

Sanding wood and metal with the same abrasive sheet is not allowed.

MP 251

The multipurpose plate ensures sanding surfaces with its rear part as well as sanding hard-to-access areas with its front part. The plate upper front part can be covered with sandpaper to be used for simultaneous sanding of narrow slots (for example window shutters).

DUST SUCTION

Efficiency of sanding and durability of sandpaper are much improved by dust suction through the apertures in the pad and sandpaper. Dust collector bag 6 must be emptied regularly.

EXTERNAL DUST EXTRACTION SYSTEM

Ability is provided for coupling the machine to a vacuum cleaner. At the event of increased dust output it is recommended to dismount the dust bag (6) and connect the machine to a vacuum cleaner with Ø32 hose.

ACCESSORIES TO BE USED WITH THIS POWER TOOL

MP 250:

Sandpaper P80 - 1 pc., adapter - 1 pc., dust bag - 1 pc., punch guide - 1 pc.

MP 251:

Foam pads - 4 types

Upper abrasive sheets - 2 types x 3 pcs.

Combined sanding plates - 2 types,

Sandpaper - 3 types x 3 pcs.,

Adapter - 1 pc., Dust bag - 1 pc.

Maintenance



WARNING: Always ensure that the tool is switched off and unplugged before attempting to perform inspection or maintenance.

BRUSH REPLACEMENT

When the carbon brushes are worn out both brushes must be replaced simultaneously with genuine brushes at SPARKY service centre for warranty and post-warranty service.

GENERAL INSPECTION

Regularly inspect all fasteners and ensure they are properly tightened. Should any of the screws be loose, re-tighten it immediately to avoid hazards.

If the replacement of the supply cord is necessary, this has to be done by the manufacturer or his agent in order to avoid a safety hazard.

CLEANING

For safe operation always keep the machine and its ventilation slots clean.

Regularly check to see if any dust or foreign matter has entered the ventilation slots and the grills around the switches. Use a soft brush and/or air jet to remove any accumulated dust. Wear safety glasses to protect your eyes whilst cleaning.

Exterior plastic parts may be cleaned with a damp cloth and mild detergent if necessary.



WARNING: Never use alcohol, petrol or other cleaning agent. Never use caustic agents to clean plastic parts.



WARNING: Water must never come into contact with the tool.

IMPORTANT! To assure product safety and reliability, repairs, maintenance and adjustment (including brush inspection and replacement) should be performed by certified service centres or other qualified service organisations, always using genuine replacement parts.

Warranty

The guarantee period for SPARKY power tools is determined in the guarantee card.

Faults due to normal wear, overloading or improper handling will be excluded from the guarantee.

Faults due to defective materials implemented as well as defects in workmanship will be corrected free of charge through replacement or repair.

The complaints for defective SPARKY power tools will be recognized if the machine is sent back to the dealer or is presented to the authorised warranty service centre undismantled, in its initial condition.

Notes

Carefully read the entire original instructions before using this product.

The manufacturer reserves the right to make changes and improvements to the products and to alter specifications without prior notice.

Specifications may differ from country to country.

Inhalt

Einführung.....	8
Technische Daten.....	10
Allgemeine Sicherheitshinweise für Elektrowerkzeuge.....	11
Sicherheitshinweise für Schwingschleifer.....	12
Elemente des Elektrowerkzeugs.....	A/13
Arbeitshinweise.....	13
Wartung.....	14
Garantie.....	15

AUSPACKEN

Überprüfen Sie unmittelbar nach dem Auspacken ob sämtliche Bestandteile und das beschriebene Zubehör mitgeliefert wurden. Sollte dies nicht der Fall sein, wenden Sie sich bitte umgehend an Ihren Fachhändler bei dem der Hobel gekauft wurde. Dies trifft auch dann zu, wenn Sie den Eindruck haben mit dem Gerät ist etwas nicht in Ordnung. Eine Nichtbeachtung dieser Empfehlung kann zu schweren Unfällen führen.

ZUSAMMENBAU

Das Modell MP 250 wird komplett verpackt im Karton und montiert geliefert. Staubabsaugadapter sowie Staubsack liegen bei.

Das Modell MP 251 wird komplett verpackt im Koffer und montiert geliefert. Staubabsaugadapter sowie Staubsack liegen bei.

Einführung

Das von Ihnen erworbene Elektrowerkzeug wird Ihre Erwartungen übersteigen. Es ist gemäß den hohen Qualitätsstandards von SPARKY hergestellt, die den strengen Anforderungen des Verbrauchers entsprechen. Einfach in der Bedienung und ungefährlich bei richtiger Handhabung, wird dieses Gerät bei bestimmungsgemäßem Gebrauch Ihnen lange Jahre zuverlässig dienen.



WARNUNG!

Lesen Sie die ganze Bedienungsanleitung aufmerksam durch, bevor Sie das neu erworbene SPARKY – Elektrowerkzeug in Betrieb nehmen. Beachten Sie besonders die Texte, die mit dem Wort „**Warnung**“ beginnen. Ihr SPARKY - Elektrowerkzeug besitzt viele Eigenschaften, die Ihre Arbeit erleichtern werden. Bei der Entwicklung dieses Elektrowerkzeuges ist höchste Aufmerksamkeit der Sicherheit, den Betriebseigenschaften und der Zuverlässigkeit gewidmet worden, die es einfach zur Wartung und Bedienung machen.



Keine elektrischen Geräte zusammen mit dem Hausmüll wegwerfen!

Die Abfälle von elektrischen Erzeugnissen sollen nicht zusammen mit dem Hausmüll gesammelt werden. Für eine umweltgerechte Entsorgung geben Sie Ihre alten / defekten Elektrogeräte bitte in der nächsten kommunalen Sammelstelle ab.



UMWELTSCHUTZ

Angeichts des Umweltschutzes sollten das Elektrowerkzeug, die Zubehörteile und die Verpackung einer geeigneten Wiederverwertung zugeführt werden.

Zum sortenreinen Recycling sind die Teile, hergestellt aus Kunststoffen, entsprechend gekennzeichnet.

BEDEUTUNG DER SYMBOLE

Auf dem Typenschild des Elektrowerkzeuges sind spezielle Symbole dargestellt. Sie stellen wichtige Information über das Produkt oder Instruktionen für seine Nutzung dar.



Doppelte Isolierung für zusätzlichen Schutz



Staubsaugeranschluss



Entspricht den einschlägigen Europäischen Richtlinien



Entspricht den Anforderungen der russischen normativen Dokumente



Entspricht den Anforderungen der ukrainischen normativen Dokumenten





Lesen Sie die Bedienungsanleitung

YYYY-Www Zeitabschnitt der Produktion, wobei die variablen Symbole sind:
YYYY - Kalenderjahr der Produktion, ww - laufende Kalenderwoche

MP SCHWINGSCHLEIFER

Technische Daten

Modell	MP 250 • MP 251
▪ Nennaufnahme	250 W
▪ Leerlaufdrehzahl	14000 min ⁻¹
▪ Exzentrizität	1,5 mm
▪ Schleifplatte (MP 250)	108x112 mm
▪ Schleifplatte (MP 251)	108x112 mm 162x112 mm 196x112 mm
▪ Gewicht (EPTA Verfahren 01/2003)	1,55 kg
▪ Schutzklasse (EN 60745-1) 	II
GERÄUSCH-/VIBRATIONSINFORMATION (Messwerte ermittelt entsprechend EN 60745)	
▪ Geräuschemissionswerte	
Der A-bewertete A-Bewertete Schalldruckpegel L _{PA}	79 dB (A)
Unsicherheit K _{PA}	3 dB (A)
Der A-bewertete A-Bewertete Schalleistungspegel L _{WA}	90 dB (A)
Unsicherheit K _{WA}	3 dB (A)
 Gehörschutz tragen!	
▪ Schwingungsemissionswerte *	
<i>Schwingungsgesamtwerte (Vektorsumme dreier Richtungen) ermittelt entsprechend EN 60745</i>	
▪ Schleifen	
Schwingungsemissionswert a _w	6,3 m/s ²
Unsicherheit K	1,5 m/s ²

* Messwerte ermittelt nach 6.2.7 N 60745-1

Der in diesen Anweisungen angegebene Schwingungspegel ist entsprechend einem in EN 60745 genormten Messverfahren gemessen worden und kann für den Vergleich von Elektrowerkzeugen miteinander verwendet werden. Er eignet sich auch für eine vorläufige Einschätzung der Schwingungsbelastung.

Der angegebene Schwingungspegel repräsentiert die hauptsächlichsten Anwendungen des Elektrowerkzeugs. Wenn allerdings das Elektrowerkzeug für andere Anwendungen, mit abweichenden Einsatzwerkzeugen oder ungenügender Wartung eingesetzt wird, kann der Schwingungspegel abweichen. Dies kann die Schwingungsbelastung über den gesamten Arbeitszeitraum deutlich erhöhen.

Für eine genaue Abschätzung der Schwingungsbelastung sollten auch die Zeiten berücksichtigt werden, in denen das Gerät abgeschaltet ist oder zwar läuft, aber nicht tatsächlich im Einsatz ist. Dies kann die Schwingungsbelastung über den gesamten Arbeitszeitraum deutlich reduzieren.

Pflegen Sie das Gerät und die Einsatzwerkzeuge mit Sorgfalt. Halten Sie Ihre Hände warm während der Arbeit – dies wird die schädliche Einwirkung erhöhter Schwingungen reduzieren.

Stäube von Materialien wie bleihaltigem Anstrich, einigen Holzarten, Mineralien und Metall können gesundheitsschädlich sein. Berühren oder Einatmen der Stäube können allergische Reaktionen und/oder Atemwegserkrankungen des Benutzers oder in der Nähe befindlicher Personen hervorrufen.

Bestimmte Stäube wie Eichen- oder Buchenstaub gelten als krebserregend, besonders in Verbindung mit Zusatzstoffen zur Holzbehandlung (Chromat, Holzschutzmittel). Asbesthaltiges Material darf nur von Fachleuten bearbeitet werden.

- Benutzen Sie möglichst eine Staubabsaugung.
- Um bei der Arbeit mit diesem Elektrowerkzeug ein gutes Staubabfangen zu gewährleisten, benutzen Sie einen Staubsauger, der für Holzstaub oder für Holz- und mineralischen Staub bestimmt ist.
- Sorgen Sie für gute Belüftung des Arbeitsplatzes.
- Es wird empfohlen, eine Atemschutzmaske mit Filterklasse P2 zu tragen.

Beachten Sie in Ihrem Land gültige Vorschriften für die zu bearbeitenden Materialien.

Allgemeine Sicherheitshinweise für Elektrowerkzeuge



WARNUNG! Lesen Sie alle Sicherheitshinweise und Anweisungen. *Versäumnisse bei der Einhaltung der Sicherheitshinweise und Anweisungen können elektrischen Schlag, Brand und/oder schwere Verletzungen verursachen.*

Bewahren Sie alle Sicherheitshinweise und Anweisungen für die Zukunft auf.

Der in den Sicherheitshinweisen verwendete Begriff „Elektrowerkzeug“ bezieht sich auf netzbetriebene Elektrowerkzeuge (mit Netzkabel) und auf akkubetriebene Elektrowerkzeuge (ohne Netzkabel).

1. ARBEITSPLATZSICHERHEIT

- Halten Sie Ihren Arbeitsbereich sauber und gut beleuchtet. *Unordnung oder unbeleuchtete Arbeitsbereiche können zu Unfällen führen.*
- Arbeiten Sie mit dem Elektrowerkzeug nicht in explosionsgefährdeter Umgebung, in der sich brennbare Flüssigkeiten, Gase oder Stäube befinden. *Elektrowerkzeuge erzeugen Funken, die den Staub oder die Dämpfe entzündend können.*
- Halten Sie Kinder und andere Personen während der Benutzung des Elektrowerkzeugs fern. *Bei Ablenkung können Sie die Kontrolle über das Gerät verlieren.*

2. ELEKTRISCHE SICHERHEIT

- Der Anschlussstecker des Elektrowerkzeuges muss in die Steckdose passen. Der Stecker darf in keiner Weise verändert werden. Verwenden Sie keine Adapterstecker gemeinsam mit schutzgeerdeten Elektrowerkzeugen. *Unveränderte Stecker und passende Steckdosen verringern das Risiko eines elektrischen Schlages.*
- Vermeiden Sie Körperkontakt mit geerdeten Oberflächen wie von Rohren, Heizungen, Herden und Kühlschränken. *Es besteht ein erhöhtes Risiko durch elektrischen Schlag, wenn Ihr Körper geerdet ist.*
- Halten Sie Elektrowerkzeuge von Regen oder Nässe fern. *Das Eindringen von Wasser in ein Elektrowerkzeug erhöht das Risiko eines elektrischen Schlages.*
- Zweckentfremden Sie das Kabel nicht, um das Elektrowerkzeug zu tragen, aufzuhängen oder um den Stecker aus der Steckdose zu ziehen. Halten Sie das Kabel fern von Hitze, Öl, scharfen Kanten oder sich bewegenden Geräteteilen. *Beschädigte oder verwickelte Kabel erhöhen das Risiko eines elektrischen Schlages.*
- Wenn Sie mit einem Elektrowerkzeug im Freien arbeiten, verwenden Sie nur Verlängerungskabel, die auch für den Außenbereich geeignet sind. *Die Anwendung eines für den Außenbereich*

geeigneten Verlängerungskabels verringert das Risiko eines elektrischen Schlages.

- Wenn der Betrieb des Elektrowerkzeuges in feuchter Umgebung nicht vermeidbar ist, verwenden Sie einen Fehlerstromschutzschalter. *Der Einsatz eines Fehlerstromschutzschalters vermindert das Risiko eines elektrischen Schlages.*

3. SICHERHEIT VON PERSONEN

- Seien Sie aufmerksam, achten Sie darauf, was Sie tun, und gehen Sie mit Vernunft an die Arbeit mit einem Elektrowerkzeug. Benutzen Sie kein Elektrowerkzeug, wenn Sie müde sind oder unter dem Einfluss von Drogen, Alkohol oder Medikamenten stehen. *Ein Moment der Unachtsamkeit beim Gebrauch des Elektrowerkzeuges kann zu ernsthaften Verletzungen führen.*
- Tragen Sie persönliche Schutzausrüstung und immer eine Schutzbrille. *Das Tragen persönlicher Schutzausrüstung, wie Staubmaske, rutschfeste Sicherheitsschuhe, Schutzhelm oder Gehörschutz, je nach Art und Einsatz des Elektrowerkzeuges, verringert das Risiko von Verletzungen.*
- Vermeiden Sie eine unbeabsichtigte Inbetriebnahme. Vergewissern Sie sich, dass das Elektrowerkzeug ausgeschaltet ist, bevor Sie es an die Stromversorgung und/oder den Akku anschließen, es aufnehmen oder tragen. *Wenn Sie beim Tragen des Elektrowerkzeuges den Finger am Schalter haben oder das Gerät eingeschaltet an die Stromversorgung anschließen, kann dies zu Unfällen führen.*
- Entfernen Sie Einstellwerkzeuge oder Schraubenschlüssel, bevor Sie das Elektrowerkzeug einschalten. *Ein Werkzeug oder Schlüssel, der sich in einem drehenden Geräteteil befindet, kann zu Verletzungen führen.*
- Vermeiden Sie eine abnormale Körperhaltung. Sorgen Sie für einen sicheren Stand und halten Sie jederzeit das Gleichgewicht. *Dadurch können Sie das Elektrowerkzeug in unerwarteten Situationen besser kontrollieren.*
- Tragen Sie geeignete Kleidung. Tragen Sie keine weite Kleidung oder Schmuck. Halten Sie Haare, Kleidung und Handschuhe fern von sich bewegenden Teilen. *Lockere Kleidung, Schmuck oder lange Haare können von sich bewegenden Teilen erfasst werden.*
- Wenn Staubabsaug- und -auffangeinrichtungen montiert werden können, vergewissern Sie sich, dass diese angeschlossen sind und richtig verwendet werden. *Verwendung einer Staubabsaugung kann Gefährdungen durch Staub verringern.*

4. VERWENDUNG UND BEHANDLUNG DES ELEKTROWERKZEUGES




- Überlasten Sie das Gerät nicht. Verwenden Sie für Ihre Arbeit das dafür bestimmte Elektrowerkzeug. *Mit dem passenden Elektrowerkzeug arbeiten Sie besser und sicherer im angegebenen Leistungsbereich.*

- b) Benutzen Sie kein Elektrowerkzeug, dessen Schalter defekt ist. Ein Elektrowerkzeug, das sich nicht mehr ein- oder ausschalten lässt, ist gefährlich und muss repariert werden.
- c) Ziehen Sie den Stecker aus der Steckdose und/oder entfernen Sie den Akku, bevor Sie Geräteeinstellungen vornehmen, Zubehörteile wechseln oder das Gerät weglegen. Diese Vorsichtsmaßnahme verhindert den unbeabsichtigten Start des Elektrowerkzeuges.
- d) Bewahren Sie unbenutzte Elektrowerkzeuge außerhalb der Reichweite von Kindern auf. Lassen Sie Personen das Gerät nicht benutzen, die mit diesem nicht vertraut sind oder diese Anweisungen nicht gelesen haben. Elektrowerkzeuge sind gefährlich, wenn Sie von unerfahrenen Personen benutzt werden.
- e) Pflegen Sie Elektrowerkzeuge mit Sorgfalt. Kontrollieren Sie, ob bewegliche Teile einwandfrei funktionieren und nicht klemmen, ob Teile gebrochen oder so beschädigt sind, dass die Funktion des Elektrowerkzeuges beeinträchtigt ist. Lassen Sie beschädigte Teile vor dem Einsatz des Gerätes reparieren. Viele Unfälle haben ihre Ursache in schlecht gewarteten Elektrowerkzeugen.
- f) Halten Sie Schneidwerkzeuge scharf und sauber. Sorgfältig gepflegte Schneidwerkzeuge mit scharfen Schneidkanten verklemmen sich weniger und sind leichter zu führen.
- g) Verwenden Sie Elektrowerkzeug, Zubehör, Einsatzwerkzeuge usw. entsprechend diesen Anweisungen. Berücksichtigen Sie dabei die Arbeitsbedingungen und die auszuführende Tätigkeit. Der Gebrauch von Elektrowerkzeugen für andere als die vorgesehenen Anwendungen kann zu gefährlichen Situationen führen.

5. SERVICE

- a) Lassen Sie Ihr Elektrowerkzeug nur von qualifiziertem Fachpersonal und nur mit Original-Ersatzteilen reparieren. Damit wird sichergestellt, dass die Sicherheit des Elektrowerkzeuges erhalten bleibt.

Sicherheitshinweise für Schwingschleifer

-  Tragen Sie Gehörschutz bei der Benutzung von Elektrowerkzeugen. Die Einwirkung von Lärm kann Gehörverlust bewirken.
 -  Verwenden Sie während der Arbeit geeignete Augenschutzmittel um sich vor fliegenden Teilchen zu schützen. Tragen Sie eine Schutzbrille.
 -  Treffen Sie Schutzmaßnahmen gegen das Einatmen von Staub. Manche Werkstoffe können toxische Bestandteile enthalten. Tragen Sie eine Staubschutzmaske.
- Bearbeiten Sie keine Werkstoffe die Asbest enthalten.

Asbest gilt als krebserregend.

- Es wird empfohlen, während der Arbeit mit dem Exzenterschleifer Schutzhandschuhe tragen.



WARNUNG: Bevor Sie das Elektrowerkzeug ans Stromnetz anschließen, stellen Sie sicher, dass die Spannung der Spannung, angegeben auf dem Geräteschild, entspricht. Eine Spannung, die höher als die Nennspannung ist, kann zu ernstesten Verletzungen führen, sowie auch Schäden am Elektrowerkzeug verursachen.

- Falls Sie nicht sicher sind, wie hoch die Netzspannung ist, schalten Sie das Elektrowerkzeug nicht ein.
- Falls die Spannung niedriger als die Nennspannung ist, wird der Motor beschädigt.
- Um eine eventuelle Überhitzung zu verhindern, rollen Sie das Kabel von einer Kabeltrommel immer bis zum Ende ab.
- Wenn Sie ein Verlängerungskabel benutzen müssen, versichern Sie sich zuerst, dass sein Querschnitt dem Nennstrom des benutzten Elektrowerkzeuges entspricht, so wie auch, dass es unbeschädigt ist.



WARNUNG: Schalten Sie vor jeder Einstellung, Bedienung oder Wartung, so wie auch bei einem Stromausfall immer das Elektrowerkzeug aus und ziehen Sie den Stecker aus der Steckdose.

- Die Schwingschleifmaschine nur zum Trockenschleifen verwenden.
- Verwenden Sie immer eine Klemme oder einen Schraubstock, um das zu bearbeitende Werkstück zu fixieren.
- Benutzen Sie perforierte Schleifblätter mit der vorgeschriebenen Größe.
- Benutzen Sie ein Schleifblatt, mit dem Metall bearbeitet wurde, nicht mehr für andere Materialien.
- Die Maschine nicht unter Belastung einschalten und nur bei vollem Stillstand zur Seite legen.
- Sie dürfen die Maschine nicht überlasten: arbeiten Sie mit einem mäßigen Druck. Die Maschine wird überlastet, wenn Sie mit einem zu hohen Druck arbeiten, wobei der Motor sich langsamer zu drehen beginnt, das ist eine Voraussetzung für eine uneffektive Arbeit und einen eventuellen Motorschaden.
- Sie müssen den Arbeitsplatz sauber halten. Die Mischung vom Staub aus verschiedenen Materialien ist besonders gefährlich. Der Staub von Leichtmetallen kann brennen oder explodieren.
- Beim Schleifen von Materialien, die Blei oder Quarz (Siliziumdioxid) enthalten, können Schädliche / giftige Stäube entstehen, deren Berührung oder Einatmen für die Bedienperson oder in der Nähe befindliche Personen gefährlich sind.
- Halten Sie das Netzkabel außerhalb des Arbeitsbereichs der Maschine.
- Sie dürfen mit dem Elektrowerkzeug nicht arbeiten, wenn das Netzkabel beschädigt ist. Berühren Sie das beschädigte Netzkabel nicht und ziehen Sie den Stecker aus der Steckdose heraus, wenn das Netzkabel während der Arbeit beschädigt wird. Ein beschädigtes

Netzkabel erhöht das Risiko für einen Stromschlag.

- Das Elektrowerkzeug soll nur bestimmungsgemäß verwendet werden. Jeder anderer Gebrauch, anders als der Gebrauch, beschrieben in dieser Instruktion, gilt als nicht bestimmungsgemäß. Die Verantwortung für jede Schädigung oder Verletzung, verursacht durch falschen Gebrauch, trägt der Betreiber und nicht der Hersteller.
- Um dieses Elektrowerkzeug richtig zu betreiben, sollten Sie die Sicherheitsregeln, die allgemeinen Instruktionen und die Betriebsanweisungen, die hier angegeben sind, beachten. Alle Betreiber sollten sich mit dieser Betriebsanweisung bekanntmachen und über die potenziellen Risiken bei der Arbeit mit dem Elektrowerkzeug informiert sein. Kinder und körperlich schwache Personen dürfen das Elektrowerkzeug nicht benutzen. Kinder sollten ständig kontrolliert werden, falls sie sich in der Nähe des Ortes, wo mit dem Elektrowerkzeug gearbeitet wird, befinden. Unbedingt sollten auch präventive Sicherheitsmaßnahmen getroffen werden. Das gleiche gilt auch für die Einhaltung der Grundregeln für Berufsgesundheit und Sicherheit. Der Hersteller übernimmt keine Verantwortung für von dem Betreiber vorgenommenen Änderungen des Elektrowerkzeuges oder für Schäden, verursacht durch solche Änderungen.
- Der Hersteller trägt keine Verantwortung für die vom Verbraucher am Elektrowerkzeug vorgenommenen Änderungen oder für Schäden, die von solchen Änderungen verursacht worden sind.
- Das Elektrowerkzeug darf nicht im Freien verwendet werden wenn es regnet. Das Elektrowerkzeug darf nicht verwendet werden auch in feuchter Umgebung (wenn es geregnet hat) oder in der Nähe von leicht entzündbaren Flüssigkeiten oder Gasen. Der Arbeitsplatz muß gut beleuchtet sein.

Elemente des Elektrowerkzeugs

Vor dem Beginn der Arbeit mit dem Elektrowerkzeug machen Sie sich mit allen operativen Besonderheiten und Sicherheitsbedingungen bekannt.

Benutzen Sie das Elektrowerkzeug und das Zubehör dazu nur zweckmäßig. Jede andere Anwendung ist ausdrücklich verboten.

1. Ein-/ Ausschalter
2. Kontrolllampe EIN/AUS
3. Schleifblatt (MP 250)
4. Schleifplatte (MP 250)
5. Klammer (MP 250)
6. Staubsack
7. Schablone (MP 250)
8. Staubabsaugadapter
9. Kombischleifplatte (MP 251)
10. Gelochtes Schleifblatt (MP 251)
11. Oberes Schleifblatt (MP 251)
12. Obere Schaumstoffunterlage (MP 251)
13. Kombischleifplatte (MP 251)
14. Rechteckiges, gelochtes Schleifblatt (MP 251)
15. Obere Schaumstoffunterlage (MP 251)
16. Oberes Schleifblatt

Arbeitshinweise

Dieses Elektrowerkzeug wird mit einphasiger Wechselspannung versorgt. Man kann es an Kontaktsteckdosen ohne Schutzklemmen anschließen. Es ist nach EN 60745-1 und IEC 60745 doppelt isoliert. Die Funkstörungen entsprechen der EMV-Richtlinie 2004/108/EG zur Elektromagnetischen Verträglichkeit.

Dieses Elektrowerkzeug ist zum Trockenschleifen und Polieren von ebenen Oberflächen aus Metall, Kunststoff und Holz bestimmt.

BEVOR SIE MIT DER ARBEIT BEGINNEN

- Die Spannung der Stromquelle soll mit den Angaben auf dem Typenschild der Maschine übereinstimmen.
- Stellung des Schalters. Das Gerät wird nur bei abgeschaltetem Schalter ans Netz angeschlossen und vom Netz getrennt.
- Überzeugen Sie sich vom ordnungsgemäßen Zustand des Versorgungskabels und des Steckers. Falls das Versorgungskabel beschädigt ist, darf es nur vom Hersteller oder einem autorisierten Servicefachmann ausgetauscht werden um eventuelle Gefährdungen zu vermeiden.



WARNUNG: Bevor Sie das Elektrowerkzeug für die Bearbeitung vom Metall verwenden, nehmen Sie den Staubsack ab, weil die Funken den Staub oder den Sack entzünden können.



WARNUNG: Schalten Sie das Elektrowerkzeug vor jeglichen Einstellungen, Wartungs- und Reparaturarbeiten aus und trennen Sie es vom Netz. Das gleiche gilt bei Stromausfall (Gefahr des unbeabsichtigten Wiederauflaufs).

EIN- UND AUSSCHALTEN

Einschalten: Schalter (1) auf Position "I" stellen.

Ausschalten: Schalter (1) auf Position "O" stellen.

MONTAGE DES SCHLEIFBLATTS (SCHLEIFPAPIERS)

MP 250

Sie können normales oder Schleifpapier mit Klettverschluss verwenden.

Verwenden von üblichen Schleifblättern:

Den Netzstecker ziehen. Schleifplatte (4) säubern. Beim Spannen oder Auswechseln des Schleifblatts werden die Klammern (5) geöffnet.

Ein Ende des Schleifblatts wird unter die geöffnete Klammer (5) gelegt und gespannt.

Das Schleifblatt (3) auf der Schleifplatte gut spannen, danach das andere Ende des Blatts mit der zweiten Klammer festziehen.

Zur bequemen Montage des Schleifblatts und Zusammenfallen der Öffnungen am Schleifblatt und an der Schleifplatte, die Stellen für die Löcher mit der Schablone (7) am Schleifblatt markieren.

Verwenden von Schleifblättern mit Klettverschluss:
Den Netzstecker ziehen. Schleifplatte (4) säubern. Drücken Sie das Schleifpapier (3) mit Klettverschluss auf die Schleifplatte (4).
Passen Sie auf die Übereinstimmung der Luftöffnungen an der Schleifplatte und am Schleifblatt, um eine effektive Staubableitung zu sichern. Für eine bequeme Montage und Anpassung der Luftöffnungen an der Schleifplatte und am Schleifblatt benutzen Sie die Schablone (7).

MP 251

Schleifblätter mit Klettverschluss verwenden. Den Netzstecker ziehen. Wählen Sie die Schleifplatte entsprechend der zu verrichtenden Arbeit. Zum Auswechseln der Schleifplatte verwenden Sie einen Kreuzschlitzschraubenzieher. Lösen Sie die vier Schrauben, montieren Sie die andere Schleifplatte, und ziehen Sie die vier Schrauben wieder an. (Abb. 1a, Abb. 1b)
Schleifplatte säubern. Wenn notwendig befestigen Sie die obere Schaumstoffunterlage auf der Oberseite der Schleifplatte.
Das gelochte Schleifblatt zur Schleifplatte anpressen. Passen Sie auf die Übereinstimmung der Luftöffnungen an der Schleifplatte und am Schleifblatt, um eine effektive Staubableitung zu sichern.

SCHLEIFEN

Die Schwingschleifmaschine wird mit der ganzen Oberfläche der Schleifplatte auf die zu bearbeitende Fläche gelegt.
Die Schwingschleifmaschine parallel bewegen, Längs- und Querrichtung nacheinander wechseln.
Die Maschine nicht zu stark auf die zu bearbeitende Oberfläche drücken. Ein erhöhter Druck steigert die Produktivität beim Schleifen nicht, sondern senkt diese.
Ab und zu das Schleifblatt durch Ausklopfen vom Staub befreien.
Niemals Holz und Metall mit demselben Schleifblatt schleifen.

MP 251

Die Kombischleifplatte ermöglicht das Schleifen sowohl mit dem hinteren Teil der Platte als auch mit dem Vorderteil an schwer zugänglichen Stellen. Auf den Vorderteil der Platte kann von beiden Seiten Schleifpapier montiert werden zum Schleifen von engen Schlitzten (z.B. bei Holz-Fensterläden).

STAUBABSAUGUNG

Die Staubabsaugung durch die Öffnungen im Schleifblatt und in der Schleifplatte erhöht die Produktivität und verlängert das Leben des Schleifblatts. Der Staubsack (6) soll regelmäßig entleert werden.

AUSSENABSAUGUNG

STAUBABSAUGUNG

Der Staubabsaugadapter ermöglicht den Anschluß eines Staubsaugers. Bei erhöhter Staubabgabe sollte der Beutel (6) abgenommen werden und ein Staubsauger angeschlossen werden.

ZUBEHÖR, DAS MIT DIESEM ELEKTROWERKZEUG BENUTZT WERDEN KANN

MP 250:

Schleifblatt - 1 Stk., Staubabsaugadapter - 1 Stk., Staubsack - 1 Stk., Schablone - 1 Stk.

MP 251:

Schaumstoffunterlagen – 4 Typen
Obere Schleifblätter - 2 Typen x 3 Stk.
Kombischleifplatte – 2 Typen
Schleifblätter - 3 Typen x 3 Stk.
Staubabsaugadapter - 1 Stk.
Staubsack - 1 Stk.

Wartung



WARNUNG: Vor jeder Wartung oder Überprüfung das Elektrowerkzeug immer ausschalten und den Stecker aus der Steckdose ziehen.

AUSWECHSELN DER KOHLEBÜRSTEN

Wenn die Kohlebürsten abgenutzt sind, schaltet sich die Maschine von selbst aus. In solchem Fall sollen beide Kohlebürsten gleichzeitig durch Originalbürsten im SPARKY – Kundendienst ausgewechselt werden.

ALLGEMEINE ÜBERPRÜFUNG

Überprüfen Sie regelmäßig alle Befestigungselemente um sich zu überzeugen, dass sie fest angezogen sind. Falls einige der Schrauben lose sind, sofort festziehen, um Risikosituationen zu vermeiden.
Im Falle eines beschädigten Netzkabels soll der Austausch durch den Hersteller oder seinen Servicefachmann vorgenommen werden, um die Risiken die bei einem Austausch entstehen können zu vermeiden.

REINIGUNG

Für den sicheren Betrieb die Maschine und die Belüftungsöffnungen immer sauber halten.
Regelmäßig überprüfen, ob in die Belüftungsöffnungen des Motors oder um die Umschalter Staub oder Fremdkörper eingedrungen sind.
Weiche Bürste und/oder Druckluft für die Entfernung des Staubes verwenden. Um die Augen während der Reinigung zu schützen, Schutzbrille tragen.
Das Gehäuse der Maschine gegebenenfalls mit einem weichen feuchten Tuch abwischen. Hierfür kann zusätzlich eine schwache Reinigungslösung (Spülmittel) verwendet werden.



WARNUNG: Die Verwendung von Benzin oder anderen Lösungsmitteln ist unzulässig. Nie ätzende Präparate für die Reinigung der Kunststoffteile verwenden.



WARNUNG: Vermeiden Sie unbedingt das Wasser in die Maschine (z.B. durch die Lüftungsschlitze) eindringt.

WICHTIG! Um einen sicheren Betrieb des Elektrowerkzeuges und seine Zuverlässigkeit zu gewährleisten, sollten alle Arbeiten zur Reparatur, Wartung und Regelung (einschl. auch die Überprüfung und das Auswechseln der Bürsten) nur in den zuständigen Kundendiensten von SPARKY beim Verwenden von Originalersatzteilen durchgeführt werden.

Garantie

Die Garantiefrist der SPARKY-Elektrowerkzeuge wird im Garantieschein bestimmt.

Schäden, die auf natürliche Abnutzung, Überlastung oder unsachgemäße Handhabung zurückzuführen sind, bleiben von der Garantie ausgeschlossen.

Schäden, die durch Material- und/oder Herstellerfehler entstanden sind, werden unentgeltlich durch Ersatzlieferung oder Reparatur beseitigt.

Beanstandungen bezüglich eines beschädigten SPARKY-Elektrowerkzeugs können nur anerkannt werden, wenn das Gerät unzerlegt (im ursprünglichen Zustand) dem Lieferanten oder der befugten Kundendienstwerkstatt vorgelegt wird.

Bemerkungen

Lesen Sie aufmerksam die ganze Betriebsanleitung durch, bevor Sie mit der Arbeit beginnen.

Der Hersteller behält sich das Recht vor, Verbesserungen und Änderungen in seinen Erzeugnissen und in den Spezifikationen ohne Voranmeldung vorzunehmen.

Die Spezifikationen können für die verschiedenen Länder unterschiedlich sein.

Sommaire

Introduction	16
Données techniques	18
Avertissements de sécurité généraux pour l'outil	19
Avertissements de sécurité lors du travail avec des ponceuses vibrantes	20
Présentation de la machine	A/21
Indications de travail	21
Maintenance	22
Garantie	23

DEBALLAGE

Grâce aux techniques modernes de fabrication, il est improbable que votre outil soit défectueux ou qu'une pièce soit manquante. Si toutefois vous trouvez une anomalie, n'utilisez pas l'outil avant que les pièces aient été remplacées ou le défaut corrigé. Ne pas observer cette règle pourrait causer des blessures graves.

MONTAGE

MP 250 est livrée en boîte ,entièrement montée,sauf l'adaptateur et le sac de poussière.

MP 251 est livrée en coffret plastique ,entièrement montée,sauf l'adaptateur et le sac de poussière.

Introduction

Votre nouvel outil a été conçu et produit selon tous les standards de qualité pour répondre aux exigences les plus élevées. Son exploitation est facile et sécurisée. Et avec une utilisation correcte il vous servira longtemps.



AVERTISSEMENT!

Lire attentivement les instructions avant d'utiliser votre nouvel outil. Prêter attention aux sections «**Avertissement**». Votre outil électrique possède des caractéristiques qui facilitent votre travail. Cet instrument a été conçu et produit selon toutes les exigences de sécurité pour que son usage et son entretien soient faciles.



Ne pas jeter les outils électroportatifs avec les ordures ménagères!

Les déchets provenant d'outils électroportatif ne doivent pas être ramassés avec les ordures ménagères. Prière de recycler sur les lieux qui y sont spécialement destinés. Contacter les autorités locales ou un représentant pour des consultations concernant le recyclage.

RESPECT DE L'ENVIRONNEMENT



Récupération des matières premières plutôt qu'élimination des déchets.

En vue à la protection de l'environnement, les appareils, comme d'ailleurs leurs accessoires et emballages, doivent pouvoir suivre chacun une voie de recyclage appropriée. Nos pièces en matières artificielles ont été marquées en vue d'un recyclage sélectif des différents matériaux.

LÉGENDE

L'outil électrique porte une plaque décrivant les signes spéciaux. Ils apportent une information importante quant au produit ou des instructions d'utilisation.



Double isolation pour une meilleure sécurité



Raccordement à un aspirateur



Conforme aux directives européennes applicables



En conformité avec les exigences des standards Russes



En conformité avec les exigences des standards ukrainiens



Lisez les instructions d'utilisation



YYYY-Www

Période de production, où les symboles variables sont les suivants:
YYYY - année de production, ww – le numéro de la semaine du calendrier

MP

PONÇEUSE VIBRANTE

Données techniques

Modèle	MP 250 • MP 251
▪ Puissance absorbée	250 W
▪ Rotations à vide	14000 min ⁻¹
▪ Excentricité	1,5 mm
▪ Dimensions du disque de ponçage (MP 250)	108x112 mm
▪ Dimensions du disque de ponçage (MP 251)	108x112 mm
	
	162x112 mm
	196x112 mm
▪ Poids (EPTA procédure 01/2003)	1,55 kg
▪ Classe de protection (EN 60745-1) 	II

INFORMATIONS SUR LES BRUITS ET LES VIBRATIONS

(Measured values determined according to EN 60745)

Informations sur le bruit

Le mesure réelle (A) de niveau de pression acoustique L _{pA}	79 dB (A)
Incertitude K _{pA}	3 dB (A)
Le mesure réelle (A) de niveau d'intensité acoustique L _{WA}	90 dB (A)
Incertitude K _{WA}	3 dB (A)



Porter une protection acoustique!

Informations sur les vibrations *

Valeurs totales des vibrations (somme vectorielle de trois sens) établies conformément à EN 60745:

▪ Ponçage	
Valeur d'émission vibratoire	6,3 m/s ²
Incertitude K	1,5 m/s ²

* Les valeurs des vibrations sont déterminées conformément à la 6.2.7 EN EN 60745-1.

L'amplitude d'accélération indiquée dans ces instructions d'utilisation a été mesurée suivant les méthodes de mesurage conformément à la norme EN 60745 et peut être utilisée pour une comparaison d'appareils. Le niveau de vibration peut être utilisé pour faire une estimation provisoire du degré d'influence vibratoire.

Le niveau de vibration annoncé concerne la fonction principale de l'outil. Dans des cas où l'outil est destinée à une autre utilisation ou avec d'autres accessoires, ou s'il est mal entretenu, le niveau de vibration peut s'écarter de celui qui a été indiqué. Si c'est le cas, le degré d'influence peut fortement augmenter au cours de l'utilisation.

Pour une estimation précise de l'influence vibratoire pendant un certain temps d'utilisation, il est recommandé de prendre aussi en considération les espaces de temps pendant lesquels l'appareil est éteint ou sous tension, mais pas vraiment utilisé. Ceci peut réduire considérablement l'influence vibratoire pendant toute la durée du travail.

Entretenez l'outil et ses accessoires en bon état. Gardez vos mains chaudes au cours de son utilisation – cela va diminuer les conséquences négatives lorsque vous travaillez à des hauts degrés de vibrations.

Les poussières de matériaux tels que peintures contenant du plomb, certains bois, minéraux ou métaux, peuvent être nuisibles à la santé. Toucher ou aspirer les poussières peut entraîner des réactions allergiques et/ou des maladies respiratoires auprès de l'utilisateur ou de personnes se trouvant à proximité.

Certaines poussières telles que les poussières de chêne ou de hêtre sont considérées cancérigènes, surtout en connexion avec des additifs pour le traitement de bois (chromate, lazure). Les matériaux contenant de l'amiante ne doivent être travaillés que par des personnes qualifiées.

- Si possible, utilisez une aspiration des poussières.
- Afin d'atteindre un haut degré d'aspiration de la poussière, lors du travail avec cet outil électroportatif utilisez un aspirateur spécialement adapté pour l'aspiration de poussière de bois ou pour l'aspiration de poussière de bois et/ou poussière de minéraux.
- Veillez à bien aérer la zone de travail.
- Il est recommandé de porter un masque respiratoire de la classe de filtre P2.

Respectez les règlements en vigueur dans votre pays spécifiques aux matériaux à traiter.

Avertissements de sécurité généraux pour l'outil



AVERTISSEMENT! Lire tous les avertissements de sécurité et toutes les instructions. *Ne pas suivre les avertissements et instructions peut donner lieu à un choc électrique, un incendie et/ou une blessure sérieuse.*

Conserver tous les avertissements et toutes les instructions pour pouvoir s'y reporter ultérieurement.

Le terme «outil» dans les avertissements fait référence à votre outil électrique alimenté par le secteur (avec cordon d'alimentation) ou votre outil fonctionnant sur batterie (sans cordon d'alimentation).

1. SÉCURITÉ DE LA ZONE DE TRAVAIL

- Conserv
- Ne pas faire fonctionner les outils électriques en atmosphère explosive, par exemple en présence de liquides inflammables, de gaz ou de poussières. *Les outils électriques produisent des étincelles qui peuvent enflammer les poussières ou les fumées.*
- Maintenir les enfants et les personnes présentes à l'écart pendant l'utilisation de l'outil. *Les distractions peuvent vous faire perdre le contrôle de l'outil.*

2. SÉCURITÉ ÉLECTRIQUE

- Il faut que les fiches de l'outil électrique soient adaptées au socle. Ne jamais modifier la fiche de quelque façon que ce soit. Ne pas utiliser d'adaptateurs avec des outils à branchement de terre. *Des fiches non modifiées et des socles adaptés réduiront le risque de choc électrique.*
- Éviter tout contact du corps avec des surfaces reliées à la terre telles que les tuyaux, les radiateurs, les cuisinières et les réfrigérateurs. *Il existe un risque accru de choc électrique si votre corps est relié à la terre.*
- Ne pas exposer les outils à la pluie ou à des conditions humides. *La pénétration d'eau à l'intérieur d'un outil augmentera le risque de choc électrique.*
- Ne pas maltraiter le cordon. Ne jamais utiliser le cordon pour porter, tirer ou débrancher l'outil. Maintenir le cordon à l'écart de la chaleur, du lubrifiant, des arêtes ou des parties en mouvement. *Des cordons endommagés ou emmêlés augmentent le risque de choc électrique.*
- Lorsqu'on utilise un outil à l'extérieur, utiliser un prolongateur adapté à l'utilisation extérieure. *L'utilisation d'un cordon adapté à l'utilisation extérieure réduit le risque de choc électrique.*
- Si l'usage d'un outil dans un emplacement humide est inévitable, utiliser une alimentation

protégée par un dispositif à courant différentiel résiduel (RCD). *L'usage d'un RCD réduit le risque de choc électrique.*

3. SÉCURITÉ DES PERSONNES

- Rester vigilant, regarder ce que vous êtes en train de faire et faire preuve de bon sens dans votre utilisation de l'outil. Ne pas utiliser un outil lorsque vous êtes fatigué ou sous l'emprise de drogues, d'alcool ou de médicaments. *Un moment d'inattention en cours d'utilisation d'un outil peut entraîner des blessures graves des personnes.*
- Utiliser un équipement de sécurité. Toujours porter une protection pour les yeux. *Les équipements de sécurité tels que les masques contre les poussières, les chaussures de sécurité antidérapantes, les casques ou les protections acoustiques utilisés pour les conditions appropriées réduiront les blessures de personnes.*
- Éviter tout démarrage intempestif. S'assurer que l'interrupteur est en position arrêté avant de brancher l'outil au secteur et/ou au bloc de batteries, de le ramasser ou de le porter. *Porter les outils en ayant le doigt sur l'interrupteur ou brancher des outils dont l'interrupteur est en position marche est source d'accidents.*
- Retirer toute clé de réglage avant de mettre l'outil en marche. *Une clé laissée fixée sur une partie tournante de l'outil peut donner lieu à des blessures de personnes.*
- Ne pas se précipiter. Garder une position et un équilibre adaptés à tout moment. *Cela permet un meilleur contrôle de l'outil dans des situations inattendues.*
- S'habiller de manière adaptée. Ne pas porter de vêtements amples ou de bijoux. Garder les cheveux, les vêtements et les gants à distance des parties en mouvement. *Des vêtements amples, des bijoux ou les cheveux longs peuvent être pris dans des parties en mouvement.*
- Si des dispositifs sont fournis pour le raccordement d'équipements pour l'extraction et la récupération des poussières, s'assurer qu'ils sont connectés et correctement utilisés. *Utiliser des collecteurs de poussière peut réduire les risques dus aux poussières.*

4. UTILISATION ET ENTRETIEN DE L'OUTIL

- Ne pas forcer l'outil. Utiliser l'outil adapté à votre application. *L'outil adapté réalisera mieux le travail et de manière plus sûre au régime pour lequel il a été construit.*
- Ne pas utiliser l'outil si l'interrupteur ne permet pas de passer de l'état de marche à arrêt et vice versa. *Tout outil qui ne peut pas être commandé par l'interrupteur est dangereux et il faut le réparer.*
- Débrancher la fiche de la source d'alimentation en courant et/ou le bloc de batteries de l'outil avant tout réglage, changement d'accessoires ou avant de ranger l'outil. *De telles mesures de sécurité préventives réduisent le risque de démar-*

rage accidentel de l'outil.

- d) **Conserver les outils à l'arrêt hors de la portée des enfants et ne pas permettre à des personnes ne connaissant pas l'outil ou les présentes instructions de le faire fonctionner.** *Les outils sont dangereux entre les mains d'utilisateurs novices.*
- e) **Observer la maintenance de l'outil. Vérifier qu'il n'y a pas de mauvais alignement ou de blocage des parties mobiles, des pièces cassées ou toute autre condition pouvant affecter le fonctionnement de l'outil. En cas de dommages, faire réparer l'outil avant de l'utiliser.** *De nombreux accidents sont dus à des outils mal entretenus.*
- f) **Garder affûtés et propres les outils permettant de couper.** *Des outils destinés à couper correctement entretenus avec des pièces coupantes tranchantes sont moins susceptibles de bloquer et sont plus faciles à contrôler.*
- g) **Utiliser l'outil, les accessoires et les lames etc., conformément à ces instructions, en tenant compte des conditions de travail et du travail à réaliser.** *L'utilisation de l'outil pour des opérations différentes de celles prévues pourrait donner lieu à des situations dangereuses.*

5. MAINTENANCE ET ENTRETIEN

- a) **Faire entretenir l'outil par un réparateur qualifié utilisant uniquement des pièces de rechange identiques.** *Cela assurera que la sécurité de l'outil est maintenue.*

Avertissements de sécurité lors du travail avec des ponceuses vibrantes



Portez des protecteurs auditifs lors d'un travail prolongé. *Le bruit intensif de la machine peut provoquer des lésions de l'ouïe.*



Pendant le travail utiliser des moyens de protection des yeux pour vous protéger des particules volantes. *Porter des lunettes de protection.*



Prévoir des précautions contre le risque d'aspiration de poussière. *Les matériaux percés peuvent contenir des composants toxiques. Porter un masque anti-poussière. Si possible, brancher sur la machine un système d'évacuation de poussière.*

- Ne traitez pas les matériaux qui contiennent de l'amiante. L'amiante est considérée comme une matière cancérigène.
- Il est recommandé d'utiliser des gants de protection.



AVERTISSEMENT: Avant de brancher l'outil électrique au réseau d'alimentation électrique, assurez-vous que la tension de celui-ci est bien celle indiquée sur la plaquette contenant les caractéristiques techniques de cet outil électrique.

- Une source de courant à tension plus élevée que celle indiquée pour l'outil peut causer à l'opérateur de sérieux dommages dus au courant électrique et en outre endommager l'outil.
- Si vous avez des hésitations à ce sujet, ne branchez pas l'outil au réseau électrique.
- L'utilisation d'une source d'alimentation à tension plus basse que celle indiquée sur la plaquette de l'appareil électrique endommagera celui-ci.
- Afin d'éviter une éventuelle surchauffe, déroulez toujours jusqu'au bout le câble de rallonge à dérouleur.
- Lorsqu'il est nécessaire d'utiliser une rallonge, assurez-vous que la section du câble est conforme à la force du courant consommé par l'appareil électrique utilisé et que la rallonge est en parfait état.



AVERTISSEMENT: Arrêtez toujours l'appareil et débranchez-le du réseau avant d'effectuer sur celui-ci tout réglage et opération de service ou d'entretien, de même qu'en cas de baisse de tension du courant dans le secteur.

- N'utiliser la machine que pour des travaux de ponçage à sec.
- Fixez la pièce traitée à l'aide d'un étau ou d'une autre manière convenable.
- N'utiliser que des feuilles abrasives perforées et dans les dimensions indiquées.
- Une feuille abrasive avec laquelle on a travaillé du métal, ne doit pas être utilisée pour d'autres matériaux.
- Ne jamais brancher la machine sous charge et ne l'abandonner qu'après l'arrêt définitif de la rotation.
- Ne surchargez pas l'appareil: travaillez en exerçant une pression moyenne. La surcharge est causée par l'application d'une pression trop forte lors de laquelle le moteur électrique ralentit sa vitesse de rotation, ce qui crée des conditions de fonctionnement inefficaces et peut éventuellement endommager le moteur de l'appareil.
- Entretenez propre le lieu de travail. Le mélange de poussières de différents matériaux est extrêmement dangereux. Les poussières de métaux légers peuvent brûler et même provoquer une explosion.
- Pendant le ponçage des surfaces contenant du plomb, quartz (dioxyde de silicium) etc. peuvent se former gazes et poussières nocives et toxiques qui en cas de contact ou d'inhalation peuvent nuire à la santé de l'opérateur ou les observateurs.
- Tenez le câble d'alimentation électrique de l'appareil à l'écart de l'aire de travail de celui-ci.
- N'utilisez pas l'appareil électrique lorsque son câble est endommagé. Ne touchez pas le câble endommagé et enlevez la fiche de la prise si le câble vient à subir un dommage dans le courant du travail. Les câbles endommagés augmentent le risque d'électrocution.

- L'appareil doit être utilisé uniquement pour les travaux pour lesquels il a été prévu. Toute autre utilisation, différente que celle décrite dans la présente instruction, doit être considérée comme abusive. Le producteur décline toute responsabilité en cas de dommage ou de blessure causée par une utilisation abusive, cette responsabilité étant alors entièrement portée par l'utilisateur.
- Afin d'utiliser l'appareil correctement, vous devez respecter les règles de sécurité, les consignes générales et celles concernant l'exploitation qui figurent dans le présent document. Tous les utilisateurs doivent avoir pris connaissance de cette instruction d'utilisation et être informés sur les risques potentiels lors du travail avec l'appareil électrique. Les enfants et les personnes ne possédant pas la force physique nécessaire ne doivent pas utiliser l'appareil. Les enfants se trouvant dans la zone de travail doivent être sous une surveillance incessante. Il est indispensable que vous preniez également des mesures de sécurité préalables. Ceci est également valable pour les principales consignes concernant la salubrité du travail et la sécurité.
- Le producteur décline toute responsabilité en cas de modifications apportées à l'appareil électrique qui ont endommagé celui-ci.
- L'appareil électrique ne doit être utilisé à l'extérieur lorsqu'il pleut, dans un milieu humide (après la pluie) ou à proximité de liquides et de gaz facilement inflammables. Le lieu de travail doit être bien éclairé.

Présentation de la machine

Avant de commencer le travail avec la machine il faut connaître tous les spécificités d'exploitation et les consignes de sécurité.

Utiliser la machine et ses accessoires conformément à leur destination. Toute autre utilisation est interdite.

1. Bouton de l'interrupteur
2. Indicateur d'alimentation
3. Feuille abrasive (MP 250)
4. Plateau de ponçage (MP 250)
5. Buse (MP 250)
6. Sac à poussières
7. Dispositif d'ajustage (MP 250)
8. Adaptateur d'évacuation de poussières
9. Plateau de ponçage combiné (MP 251)
10. Feuille abrasive perforée (MP 251)
11. Feuille abrasive supérieure (MP 251)
12. Support en mousse supérieur (MP 251)
13. Plateau de ponçage combiné (MP 251)
14. Feuille abrasive rectangulaire perforée (MP 251)
15. Support adhésif supérieur en mousse (MP 251)
16. Feuille abrasive supérieure (MP 251)

Indications de travail

Ces appareils électriques sont alimentés uniquement par un courant alternatif monophasé. Ils possèdent une double isolation, conformément à EN 60745-1 et IEC

60745 et peuvent être branchés à des prises qui ne possèdent pas de bornes de protection. Pour ce qui est des interférences radio, il est conforme aux la directive sur la compatibilité électromagnétique 2004/108/CE. Cet instrument électrique est destiné au ponçage et au polissage à sec de surfaces planes en métal, en bois et en plastique.

AVANT DE COMMENCER LE TRAVAIL

- Vérifier si la tension du réseau d'alimentation est conforme aux données indiquées sur le tableau signalétique de la machine.
- Vérifier la position de l'interrupteur. La machine ne doit pas être branchée ou débranchée qu'avec l'interrupteur en position déclenchée. Si on met la fiche dans la prise avec l'interrupteur en position Marche, la machine va démarrer aussitôt avec tous les risques d'accident accompagnants.
- Vérifier l'état du câble d'alimentation et la fiche. Le câble d'alimentation endommagé devra être remplacé par le fabriquant ou un spécialiste autorisé afin d'éviter les risques d'un remplacement non approprié.



AVERTISSEMENT: Ne pas utiliser un système d'extraction de poussière ou un aspirateur pour couper du métal. Les étincelles peuvent enflammer la poussière ou le sac.



AVERTISSEMENT: Arrêtez toujours l'appareil et débranchez-le du réseau avant d'effectuer sur celui-ci tout réglage et opération de service ou d'entretien, de même qu'en cas de baisse de tension du courant dans le secteur.

MISE EN MARCHÉ - ARRÊT

Marche: Pousser l'interrupteur (1) vers la position «I»

Arrêt: Pousser l'interrupteur (1) vers la position «O»

MONTAGE DE LA FEUILLE ABRASIVE (PAPIER DE VERRE)

MP 250

Utilisez une feuille abrasive commune ou des feuilles auto-agrippantes.

Usage des feuilles abrasives ordinaires

Débrancher la fiche du réseau d'alimentation. Nettoyer la plaque de ponçage (4). Lors du serrage ou du remplacement de la feuille abrasive ouvrir les pinces (5).

Placer le bord de la feuille abrasive au-dessous de la pince (5) qui est ouverte et la serrer.

Bien aplatir la feuille abrasive (3) sur la plaque de ponçage pour faire le serrage de l'autre côté à l'aide de la deuxième pince.

Pour un montage facile et précis utilisez le dispositif d'ajustage (7) pour marquer la position des ouvertures.

Les perforations de la feuille abrasive doivent coïncider avec les perforations du plateau de ponçage, afin d'assurer une meilleure élimination de la poussière.

Usage des feuilles abrasives auto-agrippantes:

Débrancher la fiche du réseau électrique. Nettoyer la plate de ponçage (4). Fixez la feuille abrasive (3).

Les perforations de la feuille abrasive doivent coïncider avec les perforations du plateau de ponçage, afin d'assurer une meilleure élimination de la poussière. Pour plus de confort lors du montage et pour une coïncidence maxi entre les perforations du plateau de ponçage et celles de la feuille abrasive veuillez utiliser le dispositif d'ajustage (7).

MP 251

Utilisez des feuilles abrasives auto-agrippantes. Débrancher la fiche du réseau électrique. En fonction du travail à réaliser, choisissez un des plateau proposés. Pour changer de plateau il suffit de dévisser les quatre vis de monter le nouveau plateau et de resserrer les vis. (Fig. 1a, Fig. 1b)

Nettoyer la plate de ponçage.

En cas de nécessité monter sur le coté supérieur du plateau le support en mousse.

Pressez la feuille abrasive perforée contre le plateau de ponçage.

Les perforations de la feuille abrasive doivent coïncider avec les perforations du plateau de ponçage, afin d'assurer une meilleure élimination de la poussière.

PONÇAGE

Bien poser la machine sur la pièce travaillée de façon que celle-ci soit entièrement couverte par sa surface.

La machine effectue des mouvements parallèles, suivant périodiquement la longueur, puis la largeur de la pièce travaillée.

Il est conseillé de ne pas appuyer trop sur la machine. L'augmentation de la pression résulte en diminuassions de l'efficacité.

Tapoter périodiquement la feuille abrasive pour la nettoyer de la poussière.

Ne jamais effectuer le ponçage de bois et de métal avec une même feuille abrasive.

MP 251

Le plateau de ponçage combiné permet de poncer des endroits qui sont difficiles d'atteindre. L'avant du plateau peut être équipé des feuilles abrasives sur son côté supérieur, qui permet de l'utiliser pour ponçage de crevasses étroites.

ASPIRATION DE POUSSIERE

L'aspiration de la poussière à travers les trous dans la feuille abrasive et le disque augmente l'efficacité et prolonge la durée de vie de la feuille abrasive. Vider régulièrement le sac de poussière (6).

ASPIRATION EXTERIEURE DE POUSSIERE

Un aspirateur extérieur de poussière peut être raccordé à la ponceuse excentrique. En cas d'un dégagement de poussière élevé, il est recommandé de démonter la tube d'aspiration et de raccorder la machine à un aspirateur.

ACCESSOIRES À UTILISER AVEC LA MACHINE

MP 250:

Feuille abrasive P80 - 1 pc.,

Adaptateur - 1 pc., Sac à poussières - 1 pc.,

Dispositif d'ajustage - 1 pc.

MP 251:

Supports en mousse – 4 types

Feuille abrasive supérieure- 2 types x 3pcs.

Plateau de ponçage combiné - 2 types

Feuilles abrasives - 3 types x 3pcs.,

Adaptateur - 1 pc., Sac à poussières - 1 pc.

Maintenance



AVERTISSEMENT: Arrêtez toujours l'appareil et débranchez-le du réseau avant d'effectuer sur celui-ci tout réglage et opération de service ou d'entretien.

REMPLACEMENT DES BALAIS

Lorsque les balais sont usés, l'appareil se déconnecte de lui-même. Dans un tel cas, il faut remplacer à la fois les deux balais par des balais d'origine de SPARKY pour l'entretien de l'appareil dans le cadre de la garantie ou en dehors de celle-ci.

EXAMEN GENERAL

Vérifiez régulièrement tous les éléments de fixation pour vous assurer qu'ils sont solidement serrés. Si quelque vis s'est desserrée, resserrez-la immédiatement afin d'éviter tout risque.

Si le câble d'alimentation est endommagé, il doit être remplacé par le producteur ou un spécialiste agréé par celui-ci afin d'éviter les éventuels risques liés à son remplacement.

NETTOYAGE

Pour assurer un fonctionnement sécurisé, entretenez toujours l'appareil et ses orifices de ventilation propres.

Vérifiez régulièrement si dans les orifices de ventilation du moteur électrique ou autour des commutateurs il n'y a pas de poussière ni de corps étrangers. Utilisez une brosse douce et/ou un jet d'air comprimé pour éliminer la poussière accumulée à ces endroits. Afin de protéger vos yeux, lors des opérations de nettoyage, portez des lunettes de protection.

Si le boîtier de l'appareil a besoin d'être nettoyé, essuyez-le à l'aide d'un chiffon doux humide. Vous pouvez utiliser un produit de nettoyage peu agressif.



AVERTISSEMENT: Il est interdit d'utiliser de l'alcool, de l'essence ou d'autres solvants. N'utilisez jamais des produits agressifs pour le nettoyage des pièces en matière plastique.



AVERTISSEMENT: Ne pas permettre à de l'eau à entrer en contact avec l'appareil.

AVIS IMPORTANT! Afin d'assurer la sécurité du travail avec l'appareil et le fonctionnement fiable de celui-ci, toutes les opérations de réparation, d'entretien et de réglage (y compris la vérification de l'état des balais et leur remplacement) doivent être effectuées dans les centres d'entretien agréés de SPARKY avec l'utilisation exclusive de pièces d'origine.

Garantie

La période de garantie des outils électroportatifs SPARKY est définie dans le contrat de garantie.

La garantie ne couvre pas les pannes apparues suite à l'usure naturelle, une surcharge ou une mauvaise exploitation.

Les pannes survenues pour cause de matériaux défectifs et/ou d'erreurs de fabrication seront réparées gratuitement ou le produit sera échangé.

Les réclamations pour un instrument SPARKY défectueux seront honorées si la machine est retournée au livreur ou est présentée à un service après-vente agréé assemblé et dans son état original (assemblée).

Note

Lisez attentivement toute cette instruction d'utilisation avant de commencer à vous servir de l'outil.

Le fabricant ne se défait pas du droit d'introduire des améliorations et des changements dans ses produits ainsi que de changer les spécifications sans avis préalable.

Les spécifications peuvent différer selon les pays.

Indice

Introduzione	24
Caratteristiche tecniche.....	26
Avvertenze di sicurezza.....	27
Ulteriori norme di sicurezza per levigatrici orbitali.....	28
Elementi della macchina	A/28
Uso della macchina	29
Manutenzione	30
Garanzia	30

PRIMA DELL'USO

Prima dell'uso verificare la presenza di tutti i componenti e degli accessori elencati. In caso di mancanze o apparenti difetti rivolgersi al rivenditore specializzato. L'inosservanza di tale raccomandazione potrebbe provocare gravi incidenti.

ASSEMBLAGGIO

La MP 250 è fornita in scatola di cartone, completamente montata ad eccezione del raccordo per aspirapolvere e del sacchetto raccogli-polvere.

La MP 251 è fornita in valigetta, completamente montata ad eccezione del raccordo per aspirapolvere e del sacchetto raccogli-polvere.

Introduzione

Questo utensile SPARKY supererà le Vostre aspettative. La produzione secondo i rigorosi standard di qualità SPARKY assicura un'ottima prestazione. Se utilizzato correttamente, l'utensile risulterà maneggevole e sicuro, e garantirà un uso duraturo.



AVVERTENZA:

Leggere attentamente tutte le istruzioni prima dell'utilizzo dell'utensile. Leggere con cura soprattutto le parti introdotte da "**Attenzione!**". Questo utensile SPARKY presenta numerose caratteristiche che faciliteranno il Suo lavoro. Sicurezza, qualità ed affidabilità sono punti chiave nello sviluppo di questo utensile, e lo rendono semplice nell'uso e nella manutenzione.



Non smaltire elettrodomestici insieme a rifiuti domestici!

Residui di prodotti elettrici devono essere smaltiti separatamente dai rifiuti domestici e sottoposti ad un riciclaggio ecologico. Si prega di informarsi presso le autorità locali o i rivenditori specializzati circa il più vicino luogo di raccolta.



RISPETTO DELL'AMBIENTE

Macchina, accessori ed imballaggio devono essere destinati ad una riutilizzazione ecologica per il recupero di materie prime.

I componenti in plastica sono contrassegnati per relativo riciclaggio.

SIMBOLI

L'etichetta che si trova sulla macchina contiene alcuni simboli. Questi forniscono importanti informazioni sull'utensile o istruzioni sull'uso dello stesso



Doppio isolamento per una protezione supplementare



Collegamento ad aspirapolvere



Corrisponde alle direttive europee applicabili



Conforme alle esigenze dei documenti normativi russi



Conforme alle esigenze dei documenti normativi ucraini



Prendere conoscenza delle istruzioni per l'uso

YYYY-Www


Periodo di produzione, ove i simboli variabili sono:

YYYY – l'anno di produzione, ww – la settimana di calendario consecutiva

MP

LEVIGATRICE ORBITALE

Caratteristiche tecniche

Modello	MP 250 • MP 251
• Potenza assorbita	250 W
• Giri a vuoto	14000 min ⁻¹
• Diametro del raggio di orbitazione	1,5 mm
• Dimensioni piastra (MP 250)	108x112 mm
• Dimensioni piastra (MP 251)	 108x112 mm
	 162x112 mm
	 196x112 mm
• Peso (secondo normativa EPTA 01/2003):	1,55 kg
• Classe di protezione (EN 60745-1): 	II

INFORMAZIONI SULLA RUMOROSITÀ E SULLA VIBRAZIONE

• Valori di emissione acustica (determinati secondo la normativa EN 60745):	
Misurazione A del livello di pressione acustica L _{pA}	79 dB (A)
Incertezza K _{pA}	3 dB (A)
Misurazione A del livello di potenza acustica L _{WA}	90 dB (A)
Incertezza K _{WA}	3 dB (A)



Utilizzare cuffie di protezione!

• Livello di vibrazione* (determinato secondo la normativa EN 60745-1 paragrafo 6.2.7): <i>Valori di vibrazione totale (somma dei vettori dei tre assi)</i>	
• Levigatura di materiali diversi	
Livello di vibrazione a _v	6,3 m/s ²
Incertezza K	1,5 m/s ²

Il livello di vibrazione sopra indicato è stato definito seguendo il metodo di misurazione riportato nella normativa EN 60745 e può essere utilizzato per confrontare tra di loro diversi elettroutensili. Inoltre è adatto per effettuare una stima provvisoria del livello di esposizione.

Il livello di vibrazione si riferisce alle modalità d'uso principali dell'utensile. Tuttavia, se utilizzato per scopi diversi da quelli previsti, con punte poco stabili o senza adeguata manutenzione, il livello di vibrazione può variare. Ciò può aumentare sensibilmente il livello di esposizione durante il lavoro.

Per una precisa definizione del livello di esposizione dovrebbe essere preso in considerazione anche l'arco di tempo in cui l'utensile è spento o funzionante ma non in uso. Ciò può ridurre sostanzialmente il livello di esposizione durante il lavoro.

Utilizzare l'utensile e gli accessori con cura, e maneggiarlo mantenendo le mani calde così da ridurre gli effetti dannosi dell'elevato livello di vibrazioni.

Polvere derivante da materiali come vernici contenenti particelle di piombo, alcuni tipi di legno, minerali e metallo potrebbe essere nociva. Il contatto o l'inalazione di tali polveri potrebbe causare reazioni allergiche e/o problemi al sistema respiratorio dell'utente o di terzi.

Talune tipologie di polveri, come ad esempio quella derivante da legno di quercia o faggio, soprattutto se trattati con additivi e conservanti, sono classificate come cancerogene. Si consiglia di fare trattare materiali contenenti asbesto solo a persone esperte.

- Se possibile collegare sempre la macchina ad un dispositivo di aspirazione.
- Per garantire un'area di lavoro pulita utilizzare un aspirapolvere per trucioli e/o minerali insieme all'utensile.
- Tenere l'area di lavoro ben pulita e ventilata.
- Si consiglia l'uso di una mascherina o filtro di classe P2.

Osservare le direttive nazionali relative al materiale da lavorare.

Avvertenze di sicurezza



ATTENZIONE! Leggere tutte le istruzioni d'uso e le avvertenze di sicurezza. L'inosservanza delle istruzioni seguenti può causare folgorazioni, incendi e/o gravi danni a persone.

Conservare con cura queste istruzioni.

Il termine "utensile" in tutte le avvertenze successive si riferisce sia agli utensili collegati alla rete elettrica (con cavo di alimentazione) che agli utensili a batteria (senza cavo).

1. AREA DI LAVORO

- Mantenere l'area di lavoro pulita e ben illuminata. Le zone buie ed ingombre di oggetti favoriscono incidenti.
- Non utilizzare l'utensile in presenza di liquidi infiammabili, gas o polvere. Le scintille generate potrebbero infiammare polvere e/o vapore.
- Tenere a distanza bambini e terzi durante il funzionamento. Per una distrazione potreste perdere il controllo dell'utensile.

2. SICUREZZA ELETTRICA

- La spina dell'utensile deve essere adatta alla presa utilizzata. Non modificare la spina in alcun modo. Non utilizzare adattatori con gli utensili collegati a terra. L'impiego di una spina integra ed una presa adatta riduce i rischi di folgorazione.
- Evitare di toccare con il corpo le superfici collegate a terra quali tubi, radiatori, forni e frigoriferi. Il rischio di folgorazione aumenta se il corpo è collegato a terra.
- Non esporre l'utensile alla pioggia e all'umidità. La penetrazione d'acqua nell'utensile aumenta il rischio di folgorazione.
- Non utilizzare il cavo per scopi diversi da quello previsto. Non utilizzare il cavo per trasportare o tirare l'utensile, oppure per staccare la spina dalla presa. Tenere il cavo lontano da fonti di calore, olio, parti appuntite o in movimento. Cavi danneggiati o attorcigliati aumentano il rischio di folgorazione.
- Se l'utensile viene utilizzato all'aperto, usare una prolunga adatta all'uso esterno. L'impiego di una prolunga da esterno riduce il rischio di folgorazione.
- Se il lavoro in un ambiente umido è strettamente necessario, utilizzare una presa protetta da dispositivo a corrente residua. Ciò riduce i rischi di scosse.

3. SICUREZZA PERSONALE

- L'uso di elettrooutensili richiede attenzione e buon senso. Non utilizzare gli utensili se si è stanchi o sotto l'effetto di droghe, alcol o medicinali. Una breve distrazione può provocare gravi danni alle persone.

- Munirsi di indumenti e dispositivi di protezione. Indossare sempre occhiali da lavoro. L'uso di dispositivi di protezione tra cui mascherina anti-polvere, scarpe antiscivolo, casco e protezioni per l'udito riduce il rischio di danni a persone.
 - Evitare l'accensione accidentale. Accertarsi che l'interruttore sia in posizione "OFF" prima di inserire la spina. Se si trasportano gli utensili con il dito sull'interruttore o si inserisce la spina nella presa con l'interruttore in posizione "ON" aumenta il rischio di incidenti.
 - Togliere tutte le chiavi di regolazione prima di accendere l'utensile. Una chiave lasciata inserita in una parte rotante di un utensile può provocare danni a persone.
 - Non utilizzare l'utensile in condizioni estreme. Mantenere sempre l'equilibrio ed i piedi ben appoggiati a terra. Questo consente un maggior controllo dell'utensile in caso di imprevisti.
 - Indossare un abbigliamento adeguato. Non indossare abiti svolazzanti o gioielli. Tenere capelli, vestiti, e guanti lontani dalle parti in movimento. Abiti svolazzanti, gioielli o capelli potrebbero impigliarsi nelle parti in movimento.
 - In presenza di apparecchiature per il collegamento a dispositivi di aspirazione e raccolta delle polveri, accertarsi che essi siano collegati ed utilizzarli correttamente. L'uso di queste apparecchiature può ridurre i rischi causati dalla polvere.
- ## 4. USO E MANUTENZIONE DELL'UTENSILE
- Utilizzare l'utensile più adatto per il lavoro da svolgere. L'impiego dell'utensile giusto migliora la qualità del lavoro e la sicurezza.
 - Non utilizzare l'utensile se non è possibile accenderlo e spegnerlo con l'apposito interruttore. Gli utensili che non possono essere controllati con l'interruttore sono pericolosi e devono essere riparati.
 - Staccare la spina dall'alimentazione di corrente prima di eseguire regolazioni, cambiare accessori o riporre l'utensile. Osservando queste precauzioni si riduce il rischio di accensione accidentale dell'utensile.
 - Riporre gli utensili non utilizzati fuori dalla portata dei bambini e non consentirne l'utilizzo a persone che non conoscono l'utensile o queste istruzioni. Nelle mani di persone inesperte gli utensili possono diventare pericolosi.
 - Sottoporre l'utensile a manutenzione. Verificare il corretto allineamento di tutte le parti mobili, controllare che non siano grippate e che non vi siano rotture o altri guasti che potrebbero influire sul funzionamento dell'utensile. Far riparare gli utensili danneggiati prima di riutilizzarli. Molti incidenti sono causati da utensili in pessime condizioni.
 - Tenere le punte e gli strumenti da taglio puliti ed affilati. Se sottoposti ad una regolare manutenzione e pulizia consentono di lavorare in modo più preciso e sono maggiormente controllabili.
 - Utilizzare l'utensile, gli accessori, gli attrezzi

etc. secondo quanto indicato in queste istruzioni nonché tenendo in considerazione le condizioni di lavoro e il lavoro da eseguire. *L'impiego di utensili per scopi diversi da quelli per cui sono stati progettati può dare origine a situazioni pericolose.*

5. MANUTENZIONE

- a) Far riparare l'utensile da personale qualificato che utilizzi solo parti di ricambio originali. In caso contrario la sicurezza dell'utensile potrebbe risultare compromessa.

Ulteriori norme di sicurezza per levigatrici orbitali



Indossare sempre cuffie antirumore. L'eccessiva rumorosità può causare la perdita dell'udito.



Indossare sempre occhiali da lavoro.



Indossare sempre una mascherina antipolvere ed utilizzare dispositivi per aspirare polvere e trucioli. Alcuni materiali potrebbero presentare componenti tossiche.

- Non trattare materiali contenenti amianto, in quanto considerato cancerogeno.
- Si consiglia l'uso di guanti da lavoro.



AVVERTENZA: Prima di iniziare il lavoro assicurarsi sempre che il voltaggio della presa corrisponda a quello indicato sull'etichetta dell'utensile.

- Una fonte di corrente con voltaggio superiore a quello previsto per la macchina può causare danni all'utente e/o alla macchina stessa.
- Se in dubbio, non inserire la spina nella presa.
- Operare con un voltaggio inferiore rispetto a quello previsto potrebbe danneggiare il motore della macchina.
- Svolgere il cavo o la prolunga per evitare un eventuale surriscaldamento.
- In caso sia necessario l'uso di una prolunga, assicurarsi che sia intatta e che l'ampereaggio della stessa sia corretto.



ATTENZIONE: Prima di sostituire qualsiasi accessorio o eseguire operazioni di manutenzione accertarsi sempre che l'utensile sia spento e la spina staccata dalla presa di corrente.

- Utilizzare l'utensile esclusivamente per la levigatura a secco.
- Se possibile fissare sempre il pezzo da forare con morsetti o con una morsa a vite.
- Utilizzare fogli abrasivi perforati delle dimensioni indicate e con fissaggio a strappo.

- Non adoperare un foglio abrasivo per la lavorazione di altri materiali se già utilizzato sul metallo.
- Non accendere la macchina se in sovraccarico ed appoggiarla solo a motore fermo.
- Non sovraccaricare la macchina, operare una pressione moderata. Una pressione eccessiva genera un sovraccarico e quindi una riduzione della velocità, causando possibili danni al motore.
- Mantenere l'area di lavoro pulita e ben illuminata. Zone buie e ingombre di oggetti favoriscono incidenti.
- La polvere che si crea lavorando materiali contenenti quarzo (biossido di silicio) è dannosa per la salute. Non lavorare materiali contenenti amianto.
- Tenere sempre il cavo di alimentazione fuori dal raggio d'azione della macchina.
- Non utilizzare mai la macchina se il cavo risulta danneggiato. Non afferrare il cavo e non utilizzarlo per staccare la spina dalla presa. Cavi danneggiati aumentano il rischio di scosse.
- Non utilizzare la macchina per scopi diversi da quelli indicati in queste istruzioni. L'uso per qualsiasi altra finalità sarà considerato uso improprio. In tal caso sarà l'utente e non l'azienda produttrice ritenuto responsabile di eventuali danni o lesioni.
- Per un utilizzo corretto di questo elettrooutensile è necessario osservare le avvertenze di sicurezza, le norme supplementari e le istruzioni d'uso fornite in questo opuscolo. Tutti gli utenti della macchina devono aver letto queste istruzioni e devono essere a conoscenza degli eventuali rischi. Bambini e persone di corporatura debole non devono maneggiare l'utensile. Bambini nelle vicinanze dell'area di lavoro devono essere tenuti sotto stretto controllo. È assolutamente necessario attenersi alle disposizioni di prevenzione dagli infortuni, così come alle norme di sicurezza sul lavoro vigenti nella propria area.
- L'azienda produttrice non è responsabile per eventuali modifiche apportate all'utensile da parte dell'utente o per danni causati da tali modifiche.
- Non esporre l'utensile alla pioggia o all'umidità e non utilizzarlo in presenza di liquidi infiammabili, gas o polveri.

Elementi della macchina

Prima di utilizzare la macchina è bene conoscere le sue particolarità e le avvertenze di sicurezza. Usare l'utensile e gli accessori solo per gli scopi indicati in queste istruzioni. L'uso per qualsiasi altra finalità è severamente vietato.

1. Interruttore ON/OFF
2. Indicatore luminoso di operatività
3. Foglio abrasivo perforato (MP 250)
4. Piastra di levigatura (MP 250)
5. Morsetta a staffa (MP 250)
6. Sacchetto raccogli-polvere
7. Base guida perforata (MP 250)
8. Raccordo per aspirapolvere
9. Piastra polifunzionale di levigatura (MP 251)
10. Foglio abrasivo perforato (MP 251)
11. Punta a delta carta abrasiva (MP 251)
12. Tampone superiore in spugna (MP 251)

13. Piastra polifunzionale di levigatura (MP 251)
14. Foglio abrasivo rettangolare perforato (MP 251)
15. Tampone superiore in spugna
16. Foglio abrasivo superiore (MP 251)

Uso della macchina

Questa levigatrice è azionata da corrente alternata monofase. Dispone di un doppio isolamento in conformità alle norme EN 60745-1 e IEC 60745 e può essere collegata a prese di corrente con o senza messa a terra. È inoltre conforme alla normativa europea sulla schermatura 2004/108/EC.

Questo elettrotensile è indicato per la levigatura di superfici piane e convesse in metallo, plastica e legno.

PRIMA DELLA MESSA IN FUNZIONE

Prima dell'uso accertarsi di quanto segue:

- che la tensione di alimentazione corrisponda ai valori indicati sulla targhetta dell'utensile.
- che l'interruttore ON/OFF non sia azionato. La macchina deve essere collegata all'alimentazione elettrica solo se l'interruttore non è premuto.
- che il cavo elettrico e la spina siano in perfetto stato. Per motivi di sicurezza i cavi elettrici danneggiati devono essere sostituiti solo dall'azienda produttrice o dai centri di servizio autorizzati.



ATTENZIONE: Prima di iniziare il lavoro con superfici metalliche si consiglia di rimuovere il sacchetto raccogli-polvere dall'apposito raccordo, poiché le scintille potrebbero dar fuoco alla polvere presente o al sacchetto stesso.



ATTENZIONE: Prima di sostituire qualsiasi accessorio o eseguire operazioni di manutenzione accertarsi sempre che l'utensile sia spento e la spina staccata dalla presa di corrente.

ACCENSIONE/SPEGNIMENTO

Accensione: posizionare l'interruttore ON/OFF (1) dell'aspirapolvere in funzione ON (simbolo "I").

Spegnimento: posizionare l'interruttore ON/OFF (1) dell'aspirapolvere in funzione OFF (simbolo "O").

MONTAGGIO DEL FOGLIO ABRASIVO

MP 250

È possibile usare fogli abrasivi con o senza fissaggio a strappo.

Uso di fogli abrasivi standard:

Assicurarsi che la spina dell'apparecchio non sia inserita nella presa di corrente e pulire la piastra di levigatura (4). Sollevare la morsetta a staffa (5) posteriore, infilare il foglio abrasivo (3) facendolo passare sotto la staffa e fissarlo agganciando la morsetta. Applicare il foglio abrasivo (3) con cura sul platorello, poi fissare l'altra estremità alla morsetta a staffa (5) anteriore.

Si consiglia di utilizzare la base guida perforata (7) per facilitare il montaggio e l'allineamento dei fori del foglio a quelli della piastra.

Uso di fogli abrasivi con fissaggio a strappo:

Assicurarsi che la spina dell'apparecchio non sia inserita nella presa di corrente e pulire la piastra di levigatura (4). Applicare il foglio abrasivo (3) sulla piastra di levigatura (4).

Accertarsi che i fori del foglio (3) siano allineati a quelli della piastra ed esercitare una lieve pressione. Si consiglia di utilizzare la base guida perforata (7) per facilitare il montaggio e l'allineamento dei fori del foglio a quelli della piastra.

MP 251

Utilizzare esclusivamente fogli abrasivo con fissaggio a strappo. Assicurarsi che la spina dell'apparecchio non sia inserita nella presa di corrente. Selezionare la piastra di levigatura più adatta al lavoro da svolgere. Per cambiare la piastra allentare le 4 viti con un cacciavite a croce, montare la nuova piastra e fissare nuovamente le viti (Fig. 1a, fig. 1b).

Se necessario fissare il tampone in spugna sulla parte superiore della piastra.

Applicare il foglio abrasivo sulla piastra.

Accertarsi che i fori del foglio abrasivo siano allineati a quelli della piastra ed esercitare una lieve pressione.

LEVIGATURA

Far aderire il foglio abrasivo sulla superficie da lavorare. Muovere la macchina esercitando movimenti in senso verticale e trasversale. Applicare una pressione moderata. Una forte pressione non aumenta l'efficacia della levigatura, bensì diminuirà la vita della macchina. Di tanto in tanto capovolgere la macchina per rimuovere l'eventuale polvere accumulata ed evitare che i fori si intasino. Non utilizzare lo stesso foglio per la levigatura di legno e metallo.

MP 251

Grazie alla sua testa innovativa la piastra polifunzionale assicura una levigatura perfetta ed omogenea anche negli spazi più angusti. Applicando della carta abrasiva sul lato superiore della testa è possibile levigare contemporaneamente due superfici vicine (come ad esempio lamelle di persiane).

ASPIRAZIONE POLVERE

I fori presenti sulla piastra e sui fogli abrasivi facilitano l'aspirazione della polvere garantendo maggiore efficienza e durabilità dei fogli stessi. Svuotare regolarmente il sacchetto raccogli-polvere (6).

SISTEMA DI ASPIRAZIONE ESTERNO

Per lavori su superfici che generano ingenti quantità di polvere si consiglia di rimuovere il sacchetto raccogli-polvere (6) e di collegare la macchina ad un aspirapolvere con tubo Ø32 mm, inserendo quest'ultimo nell'apposito raccordo (8).

ACCESSORI IN DOTAZIONE

MP 250:

foglio abrasivo P80 - 1 pzi., raccordo per aspirapolvere - 1 pzi., sacchetto raccogli-polvere - 1 pzi., base guida perforata - 1 pzi.

MP 251:

Tamponi in spugna - 4 tipi
Fogli abrasivi superiori - 2 tipi (3 pzi cad.)
Piastra polifunzionale di levigatura - 2 tipi
Fogli abrasivi - 3 tipi (3 pzi cad.)
raccordo per aspirapolvere - 1 pzi., sacchetto raccogli-polvere - 1 pzi.

Manutenzione



AVVERTENZA: Accertarsi che l'utensile sia spento e che la spina sia disinserita prima di effettuare qualsiasi controllo di manutenzione.

CAMBIO DELLE SPAZZOLE

Quando anche solo una spazzola si esaurisce, entrambe devono essere sostituite. In tal caso rivolgersi ad un centro autorizzato SPARKY per l'utilizzo di parti di ricambio originali.

CONTROLLI PERIODICI GENERALI

Controllare regolarmente che tutte le viti siano propriamente fissate. Dopo un uso prolungato potrebbero infatti allentarsi a causa delle vibrazioni.

In caso sia necessario cambiare il cavo, recarsi ad un centro assistenza SPARKY.

PULIZIA

Per poter garantire buone e sicure operazioni di lavoro, tenere la macchina e le aperture di ventilazione sempre pulite.

Verificare regolarmente che polvere o altri corpi estranei non siano penetrati nelle aperture di ventilazione o attorno agli interruttori. Utilizzare uno spazzolino morbido per rimuovere la polvere depositatasi. Proteggere gli occhi durante la pulizia indossando occhiali da lavoro

Per pulire la macchina utilizzare un panno umido. È possibile utilizzare un leggero detersivo.



AVVERTENZA: Non utilizzare alcohol, benzina o altri solventi. È sconsigliato l'uso di detersivi aggressivi per la pulizia delle parti in plastica.



AVVERTENZA: Evitare il contatto della macchina con l'acqua.

IMPORTANTE! Per garantire la sicurezza e l'affidabilità dell'utensile, riparature, lavori di manutenzione ed altre regolazioni (incluso il controllo e l'eventuale sostituzione delle spazzole) devono essere effettuate da centri di assistenza SPARKY autorizzati, dove vengono adoperate solo parti originali.

Garanzia

Il periodo di garanzia per gli utensili SPARKY ha validità a partire dalla data di acquisto ed è conforme alle normative europee.

Non sono coperti da garanzia danni derivanti da usura, sovraccarico o uso improprio.

L'azienda produttrice assicura la sostituzione di tutte le parti non funzionanti in cui si riconoscano difetti di materiale e/o di lavorazione.

Le prestazioni di garanzia saranno erogate solo se la macchina richiesta sarà inviata in condizioni integre al rivenditore o ad un centro di assistenza, accompagnata dallo scontrino fiscale.

Ulteriori informazioni

Leggere attentamente tutte le istruzioni sull'uso prima di adoperare questo prodotto.

L'azienda produttrice si riserva il diritto di apportare modifiche tecniche senza preavviso.

Le specifiche tecniche possono variare da paese a paese.

Contenido

Introducción	31
Datos técnicos	33
Instrucciones generales de seguridad al operar con herramientas eléctricas	34
Instrucciones adicionales de seguridad al operar con lijadoras orbitales.....	35
Componentes principales de la herramienta eléctrica	A/36
Instrucciones de operación	36
Mantenimiento	37
Garantía	38

DESENVASE

En conformidad con las tecnologías de producción comunes, es poco probable que la herramienta eléctrica que Ud. acaba de adquirir sea defectuosa o que le falte alguna pieza. Si se llega a observar algún fallo, deje de operar con la herramienta eléctrica hasta que la pieza dañada se sustituya o el defecto se elimine. Si esta recomendación no se cumple, ello podrá conducir a un grave accidente de trabajo.

ENSAMBLAJE

MP 250 se suministra en una caja completamente ensamblada, salvo el adaptador y el saco colector de polvo.

MP 251 se suministra en un maletín completamente ensamblada, salvo el adaptador y el saco colector de polvo.

Introducción

La herramienta eléctrica SPARKY que acaba de adquirir superará sus expectativas, ya que ha sido fabricada conforme a las altas normas de calidad de SPARKY, respondiendo a los más rigurosos requerimientos del usuario. Su mantenimiento es fácil y es seguro a la hora de explotarse. Si se usa correctamente, esta herramienta eléctrica le servirá de forma segura durante muchos años.



¡ADVERTENCIA!

Antes de usar la herramienta eléctrica SPARKY que acaba de adquirir, lea atenta e íntegramente estas instrucciones de explotación. Preste especial atención a los textos encabezados por la palabra "Advertencia". Su herramienta eléctrica SPARKY posee muchas cualidades que facilitarán su trabajo. Al diseñarse esta herramienta eléctrica, se ha prestado máxima atención a la seguridad, a las cualidades de explotación y a la fiabilidad que facilitan su mantenimiento y explotación.



¡No tire la herramienta eléctrica junto con los residuos domésticos!

Los residuos de artículos eléctricos no se deben recoger junto con los residuos domésticos. Por favor, recíclelos en los lugares destinados a ello. Póngase en contacto con las autoridades locales o un representante suyo para consultarlas respecto al reciclaje.



PROTECCIÓN DEL MEDIO AMBIENTE

Con miras a la protección del medio ambiente, esta herramienta eléctrica, sus accesorios y el envase han de someterse a un tratamiento adecuado con el propósito de reutilizar las materias primas que contienen. Para facilitar el reciclaje de las piezas fabricadas de materiales artificiales, éstas han sido marcadas en la respectiva forma.

DESCRIPCIÓN DE LOS SÍMBOLOS

En la placa de características técnicas de la herramienta eléctrica y/o el acumulador, se han estampado diversos símbolos que contienen información importante acerca del artículo o instrucciones para su uso.



Doble aislamiento de protección adicional



Conexión a una aspiradora



Conformidad con las directrices europeas aplicables



Compatible con los requisitos de los documentos normativos rusos



Compatible con los requisitos de los documentos normativos ucranianos



Conozca las instrucciones de explotación



YYYY-Www

Período de producción en que los símbolos variables son:
YYYY - año de producción, ww – semana natural consecutiva

MP

LIJADORA ORBITAL

Datos técnicos

Modelo	MP 250 • MP 251	
▪ Potencia absorbida	250 W	
▪ Revoluciones en marcha en vacío	14000 min ⁻¹	
▪ Excentricidad	1,5 mm	
▪ Dimensiones de la placa lijadora (MP 250)	108x112 mm	
▪ Dimensiones de la placa lijadora (MP 251)		108x112 mm
		162x112 mm
		196x112 mm
▪ Peso (EPTA procedimiento 01/2003)	1,55 kg	
▪ Clase de protección (EN 60745-1) 	II	

INFORMACIÓN SOBRE RUIDO Y VIBRACIONES (Los valores se han determinado según EN 60745)

▪ Emisión de ruido	
A-nivel determinado de presión sonora L _{pA}	79 dB (A)
Indeterminación K _{pA}	3 dB (A)
A-nivel determinado de potencia sonora L _{WA}	90 dB (A)
Indeterminación K _{WA}	3 dB (A)



¡Utilice medios de protección contra el ruido!

▪ Emisión de vibraciones *

Valor total de las vibraciones (suma vectorial de tres direcciones) determinado según EN 60745:

▪ Lijado	
Valor de las vibraciones emitidas a _h	6,3 m/s ²
Indeterminación K	1,5 m/s ²

* Las vibraciones se han determinado según el apartado 6.2.7 de EN 60745-1

El nivel de vibraciones indicado en estas instrucciones ha sido determinado, según el procedimiento de ensayo indicado en la norma EN 60745, y podrá servir como base de comparación con otras herramientas eléctricas. El nivel de vibraciones podrá usarse para hacer una estimación previa del nivel de impacto.

El nivel de vibraciones declarado se refiere a las principales aplicaciones de la herramienta eléctrica. En los casos en que la herramienta eléctrica se utilice para otras aplicaciones, con otros accesorios, o bien si el mantenimiento de la herramienta eléctrica no fuese correcto, el nivel de vibraciones podría variar respecto al indicado. En estos casos, el nivel de impacto puede aumentar considerablemente dentro del margen del período total de trabajo.

Al estimarse el nivel de impacto de las vibraciones, se ha de tomar en consideración el tiempo durante el cual la herramienta eléctrica está desconectada o ha sido conectada, pero no se ha utilizado. Ello podrá reducir considerablemente el nivel de impacto dentro del margen del período total de trabajo.

Manténganse la herramienta eléctrica y los accesorios en buen estado. Observe que sus manos estén calientes durante el trabajo, así se reducirá el impacto nocivo al trabajar con vibraciones elevadas.

El polvo que se desprende al procesar materiales, como pinturas que contengan plomo, ciertos tipos de madera, minerales y metales, puede ser nocivo para la salud. El contacto o la inspiración de estos polvos podrá provocar en el operador o en las personas circundantes reacciones alérgicas y/o enfermedades respiratorias.

Ciertos tipos de polvo, como los de roble o haya, son considerados cancerígenos, especialmente en combinación con los aditivos para el tratamiento de la madera (cromatos, conservantes de la madera). Los materiales que contengan amianto deberán ser procesados solamente por especialistas.

- A ser posible, utilice un equipo para la aspiración del polvo.
- Para alcanzar un alto nivel de aspiración del polvo, al trabajar con esta herramienta eléctrica utilice un aspirador destinado a recoger polvo de madera o polvo de madera y/o mineral.
- Observe que el puesto de trabajo esté bien ventilado.
- Se recomienda usar una máscara protectora con un filtro de la clase P2.

Observe las prescripciones vigentes en su país sobre los respectivos materiales a procesar.

Instrucciones generales de seguridad al operar con herramientas eléctricas



AVISO! Lea todos los avisos de seguridad y todas las instrucciones. El hecho de no seguir los avisos e instrucciones puede provocar una descarga eléctrica, fuego y/o un daño grave.

Guarde en lugar seguro todos los avisos e instrucciones para futuras consultas.

El término "herramienta" de los avisos se refiere a su herramienta eléctrica con cable o a batería.

1. SEGURIDAD DE LA ZONA DE TRABAJO

- Mantenga limpia y bien iluminada su zona de trabajo. Las zonas sucias u oscuras pueden provocar accidentes.
- No trabaje con la herramienta en ambientes explosivos, como en presencia de líquidos inflamables, gases o polvo. Las herramientas producen chispas que pueden provocar la ignición del polvo o de los gases.
- Las distracciones pueden provocar pérdidas de control.

2. SEGURIDAD ELÉCTRICA

- Los enchufes de la herramienta tienen que coincidir con la toma de corriente. No utilice adaptadores con herramientas en contacto con el suelo (enterradas). Los enchufes y tomas sin modificar reducirán el riesgo de descarga eléctrica.
- Evite el contacto corporal con superficies con contacto a tierra, como tuberías, radiadores, cocinas y frigoríficos. Hay un aumento del riesgo de descarga eléctrica si su cuerpo está en contacto con el suelo o enterrado.
- No exponga las herramientas a la lluvia o a la humedad. Si entra agua en la herramienta se aumentará el riesgo de descarga.
- No haga un uso indebido del cable. No utilice nunca el cable para llevar, tirar de o desconectar la herramienta. Mantenga el cable lejos del calor, de aceites, bordes afilados o piezas sueltas. Los cables dañados o enredados aumentan el riesgo de descarga eléctrica.
- Quando trabaje con la herramienta al aire libre, utilice una alargadera apropiada para uso al aire libre. Utilizar un cable para exteriores reduce el riesgo de descarga eléctrica.
- Si es inevitable trabajar con la herramienta en un sitio húmedo, utilice un dispositivo de corriente residual (RCD) protegido. Utilizar un RCD reduce el riesgo de descarga eléctrica.

3. SEGURIDAD PERSONAL

- Permanezca atento a lo que está haciendo y haga caso del sentido común cuando trabaje con una herramienta. No utilice la herramienta cuando

esté cansado o bajo la influencia de las drogas, el alcohol o de medicación. Una pequeña falta de atención cuando se está trabajando con herramientas puede provocar un grave daño personal.

- Utilice equipos de protección personal. Lleve siempre un protector para los ojos. El equipamiento de protección, como mascarilla, zapatos de seguridad antideslizantes, casco o protección para los oídos, utilizado correctamente, reducirá los daños personales.
- Evite el arranque accidental. Al coger o llevar la herramienta, asegúrese de que el interruptor esté en la posición de apagado antes de conectar la herramienta a la red eléctrica o de poner la batería. Llevar las herramientas con el dedo en el interruptor o activar las herramientas con el interruptor encendido puede provocar accidentes.
- Retire las llaves de ajuste antes de encender la herramienta. Dejar una llave cerca de una pieza rotatoria de la herramienta puede provocar un daño personal.
- No se precipite. Mantenga los pies y la posición correcta en todo momento. Esto posibilita un mejor control de la herramienta en situaciones inesperadas.
- Lleve la ropa apropiada. No lleve ropa suelta o joyas. Mantenga el cabello, la ropa y los guantes lejos de piezas móviles. La ropa suelta, las joyas o el pelo largo pueden resultar atrapados por piezas móviles.
- Si las herramientas están equipadas para conectar el extractor de polvo y dispositivos de recoger el polvo, asegúrese de que estén conectados y se usen correctamente. El uso del dispositivo de recogida de polvo puede reducir el riesgo ocasionado por el mismo.

4. USO Y CUIDADO DE LA HERRAMIENTA

- No fuerce la herramienta. Utilice la herramienta adecuada para cada aplicación. La herramienta correcta hará mejor y más seguro el trabajo para el que fue diseñada.
- No utilice la herramienta si el interruptor no la enciende y apaga. Toda herramienta que no pueda controlarse con el interruptor es peligrosa y deberá ser reparada.
- Desconecte el enchufe de la toma de corriente y/o la batería de la herramienta antes de hacer cualquier ajuste, cambio de accesorios o guardar las herramientas. Tales medidas preventivas de seguridad reducen el riesgo de encenderse accidentalmente la herramienta.
- Mantenga las herramientas que no utilice fuera del alcance de los niños y no permita manejar la herramienta a personas que no estén familiarizadas con la herramienta, o que no conozcan las instrucciones. Las herramientas son peligrosas en manos de personas no familiarizadas con su uso.
- Teniendo en cuenta las condiciones de trabajo y el trabajo a realizar. Utilizar la herramienta para acciones diferentes a las de su uso prescrito puede provocar situaciones peligrosas.

5. SERVICIO TÉCNICO

a) Encargue el mantenimiento de su herramienta a una persona cualificada y utilice siempre recambios originales. Esto garantizará que se mantenga la seguridad de la herramienta.

Instrucciones adicionales de seguridad al operar con lijadoras orbitales



Al trabajar, utilice medios de protección de la vista para preservarse de las partículas volantes. Lleve gafas de protección.



Durante un trabajo continuo, utilice medios de protección del oído. El ruido intenso durante el trabajo podrá provocar lesiones auditivas.



Adopte medidas de seguridad contra la aspiración del polvo. Ciertos materiales pueden contener componentes tóxicos. Lleve una máscara antipolvo. Utilice un dispositivo destinado a captar el polvo.

- No procese materiales que contengan amianto. El amianto se considera una sustancia cancerígena.
- Se recomienda el uso de guantes de protección.



ADVERTENCIA: Antes de conectar la herramienta eléctrica a la red de alimentación, convénzase de que la tensión de alimentación corresponde a la indicada en la placa de características técnicas de la herramienta eléctrica.

- Una fuente de alimentación, con tensión de red más alta que la indicada para la herramienta eléctrica, puede ocasionar al usuario graves lesiones de corriente eléctrica, así como dañar la herramienta eléctrica.
- Si tiene ciertas dudas, no introduzca el enchufe de la herramienta eléctrica en la toma de corriente.
- El uso de una fuente de alimentación de tensión inferior a la indicada en la placa de características técnicas de la herramienta eléctrica podrá dañar el motor eléctrico.
- Para evitar cierto recalentamiento, desenrosque siempre hasta el tope el cable de prolongación mediante un tambor de cable.
- Cuando sea necesario usar un cable de prolongación, asegúrese de que su corte corresponde a la corriente nominal de la herramienta eléctrica utilizada, así como en el buen estado del cable de prolongación.



ADVERTENCIA: Desconecte siempre la herramienta eléctrica, sacando el enchufe de la toma de corriente antes de realizar cualquier ajuste, servicio o mantenimiento, así como al bajar la tensión de alimentación.

- Utilice la máquina solamente para lijar en seco.
- Fije la pieza en procesamiento en mordazas o de otra

forma apropiada.

- Utilice hojas abrasivas perforadas, de abrochador adhesivo y con las dimensiones prescritas.
- No se recomienda operar con hojas abrasivas usadas, concebidas para metal, para procesar otros materiales.
- No conecte la máquina bajo carga; déjela sólo cuando haya terminado de girar definitivamente.
- No sobrecargue la máquina: opere con una presión moderada. La sobrecarga es el resultado de la aplicación de una carga excesiva, con lo que el giro del motor eléctrico se retrasa, siendo ello una premisa para una operación ineficiente y posible daño del motor eléctrico de la máquina.
- Mantenga limpio su puesto de trabajo. La mezcla de polvos de diversos materiales es sumamente peligrosa. Los metales ligeros en polvo pueden inflamarse o explotar.
- La presencia de polvo tóxico y nocivo, desprendido al lijar superficies que contienen plomo, cuarzo (dióxido de silicio), el contacto con él o su aspiración, puede ser nocivo para la salud del operador o de las personas circundantes.
- Mantenga el cable de alimentación fuera del alcance de funcionamiento de la máquina.
- No utilice la herramienta eléctrica, si el cable está dañado. No toque un cable dañado y desconecte el enchufe de la toma de corriente, si el cable se ha dañado durante el trabajo. Un cable dañado comporta un mayor riesgo de electrocución.
- La herramienta eléctrica debe utilizarse sólo para los fines para los que ha sido concebida. Cualquier otro uso que difiere del que se describe en estas instrucciones se considera uso incorrecto. La responsabilidad por cualquier daño o lesión, originados por su uso incorrecto, se asumirá por el usuario, y no por el fabricante.
- Para explotar correctamente esta herramienta eléctrica, deberán respetarse las normas de seguridad, las instrucciones y las directrices generales de operación que se indican aquí. Cada usuario deberá conocer estas instrucciones de explotación y estar informado sobre los posibles riesgos al operar con la herramienta eléctrica. Los niños y las personas, físicamente débiles, no deben usar esta herramienta eléctrica. Los niños han de someterse a una vigilancia continua cuando se encuentren cerca del lugar de trabajo con la herramienta eléctrica. Es obligatorio adoptar también medidas de seguridad preventivas. Ello es válido asimismo al respetarse las principales normas de salud y seguridad profesionales.
- El fabricante no asume responsabilidad por las modificaciones en la herramienta eléctrica, efectuadas por el usuario, o por los daños provocados a raíz de estas modificaciones.

La herramienta eléctrica no debe exponerse a la intemperie cuando esté lloviendo, en un entorno húmedo (después de llover), o cerca de líquidos y gases fácilmente inflamables. El puesto de trabajo debe estar bien iluminado.

Componentes principales de la herramienta eléctrica

Antes de empezar a trabajar con la herramienta eléctrica, infórmese sobre todas las peculiaridades operativas y las condiciones de seguridad.

Utilice la herramienta eléctrica y sus accesorios solamente de acuerdo con los fines para los que han sido concebidos. Queda terminantemente prohibido cualquier otro uso.

1. Botón del interruptor
2. Indicador de alimentación eléctrica
3. Hoja lijadora abrasiva
4. Placa lijadora
5. Apretador (MP 250)
6. Saco colector de polvo
7. Plantilla conductora (MP 250)
8. Adaptador para la captación de polvo
9. Hoja lijadora combinada (MP 251)
10. Hoja lijadora abrasiva perforada (MP 251)
11. Hoja lijadora abrasiva superior (MP 251)
12. Soporte superior de masa plástica espumada (MP 251)
13. Hoja lijadora combinada (MP 251)
14. Hoja lijadora rectangular perforada (MP 251)
15. Soporte superior de masa plástica espumada (MP 251)
16. Hoja lijadora abrasiva superior (MP 251)

Instrucciones de operación

Estas herramientas eléctricas se alimentan sólo por medio de tensión de corriente eléctrica monofásica alterna. Poseen doble aislamiento, según las normas EN 60745-1 e IEC 60745, y podrán conectarse a tomas de corriente, sin bornes de protección. Las radiointerferencias corresponden a la Directiva de Compatibilidad Electromagnética 2004/108/UE.

Esta herramienta eléctrica está destinada a lijar y pulir superficies planas y convexas de metal, plástico y madera.

ANTES DE EMPEZAR A OPERAR

- Observe si la tensión de la red eléctrica corresponde a la indicada en la placa de características técnicas de la herramienta eléctrica.
- Observe la posición del interruptor. La herramienta eléctrica debe conectarse y desconectarse de la red de alimentación solamente cuando el interruptor esté desconectado. Si el enchufe se introduce en el toma de corriente mientras que el interruptor esté conectado, la herramienta eléctrica se pondrá inmediatamente en funcionamiento, siendo ello una premisa de accidente.
- Convéncase de que el cable y el enchufe se encuentran en buen estado. Si el cable de alimentación está dañado, éste deberá sustituirse por el fabricante, o por un técnico de servicio suyo, para evitar los peligros relativos a la sustitución.



ADVERTENCIA: Antes de usar la herramienta eléctrica para procesar metal, retire siempre el saco colector de polvo, ya que las chispas podrán inflamar el polvo o el saco colector de polvo.



ADVERTENCIA: Desconecte siempre la herramienta eléctrica, sacando el enchufe de la toma de corriente antes de realizar cualquier ajuste, servicio o mantenimiento, y cuando la tensión de alimentación haya bajado.

CONEXIÓN - DESCONEXIÓN

Conexión: Ponga el interruptor (1) en la posición "I".
Desconexión: Ponga el interruptor (1) en la posición "O".

MONTAJE DE LA HOJA ABRASIVA (PAPEL DE LIJA)

MP 250

Utilice una hoja abrasiva normal u hojas autoadhesivas de abrochador adhesivo.

Al utilizar hojas abrasivas normales:

Desconecte el enchufe de la red de alimentación. Limpie la placa lijadora (4). Al apretar o sustituir la hoja lijadora, los apretadores (5) se abren.

Uno de los extremos de la hoja se coloca debajo del apretador (5) abierto, atiesándose.

La hoja lijadora (3) ha de estar bien tendida sobre la placa lijadora, atiesando posteriormente el otro extremo de la hoja con el segundo apretador.

Utilice la plantilla conductora (7) para marcar los lugares donde se perforarán las aberturas para una mayor comodidad a la hora de efectuar el montaje y para que las aberturas de la hoja abrasiva coincidan de forma óptima con las de la placa lijadora. Las aberturas de la hoja lijadora deben coincidir con las aberturas de la placa lijadora (4) para evacuar eficazmente el polvo.

Al usar hojas autoadhesivas de abrochador adhesivo:

Desconecte el enchufe de la red de alimentación. Limpie la hoja lijadora (4). Apriete la hoja abrasiva (3) hacia la placa lijadora (4).

Las aberturas de la hoja lijadora deben coincidir con las de la placa lijadora para una evacuación del polvo eficiente. Por favor, utilice la plantilla conductora (7) para una mayor comodidad a la hora de efectuar el montaje y la óptima coincidencia entre las aberturas de la hoja abrasiva y la placa lijadora.

MP 251

Utilice hojas autoadhesivas de abrochador adhesivo. Desconecte el enchufe de la red de alimentación. Seleccione una de las placas lijadoras, de acuerdo con el tipo de trabajo que va a realizar. Para sustituir la placa lijadora, desenrosque los cuatro tornillos con la ayuda de un destornillador cruciforme, colocando la otra placa y atiesando los tornillos. (Fig. 1a, Fig. 1b)
Limpie la placa lijadora.

En caso de que sea necesario, sobre la parte superior de la placa lijadora coloque el soporte superior de la masa plástica espumada.

Apriete la hoja abrasiva perforada hacia la placa. Las aberturas de la hoja lijadora deben coincidir con las de la placa para la evacuación del polvo eficiente.

LIJADO

La máquina se coloca, con toda la superficie, sobre la pieza en procesamiento.

La lijadora debe moverse paralelamente, alternando periódicamente los sentidos longitudinal y transversal

La máquina no debe apretarse fuertemente contra la superficie que se está lijando. Al elevar la presión, la productividad del lijado disminuirá, y no aumentará.

Sacudiendo de vez en cuando, la hoja lijadora se desprenderá del polvo.

No se deben lijar madera y metal con la misma hoja.

MP 251

La placa combinada permite lijar superficies tanto con la parte posterior de la placa como también lugares de difícil acceso, con la parte delantera de la placa. La parte delantera de la placa podrá cubrirse con el papel de lija arriba, y utilizarse para lijar simultáneamente aberturas estrechas (por ejemplo, contraventanas de madera).

EVACUACIÓN DE POLVO

La evacuación del polvo a través de las aberturas, en la hoja abrasiva y la placa, aumenta la productividad y prolonga la vida de la hoja abrasiva. El captador de polvo (6) deberá vaciarse regularmente.

EVACUACIÓN DE POLVO EXTERNA

Se ha previsto la posibilidad de conectar una aspiradora a la máquina. Al producirse una elevada evacuación de polvo, se recomienda quitar el captador de polvo (6), y conectar la máquina a la aspiradora.

ACCESORIOS QUE PUEDEN USARSE CON ESTA HERRAMIENTA ELÉCTRICA

MP 250:

Hoja lijadora P80: 1 unidad, adaptador: 1 unidad, saco colector de polvo: 1 unidad, plantilla conductora: 1 unidad.

MP 251:

Soporte de masa plástica espumada: 4 tipos

Hoja lijadora superior: 2 tipos x 3 unidades.

Placa lijadora combinada: 2 tipos

Hojas lijadoras: 3 tipos x 3 unidades

Adaptador: 1 unidad.

Saco colector de polvo: 1 unidad.

Mantenimiento



ADVERTENCIA: Antes de efectuar cualquier revisión o mantenimiento, desconecte siempre la herramienta eléctrica y saque el enchufe de la toma de corriente.

CAMBIO DE CEPILLOS

Cuando los cepillos se desgasten, ambos cepillos deberán sustituirse simultáneamente con cepillos originales en un servicio de SPARKY de mantenimiento de garantía y fuera de garantía.

REVISIÓN GENERAL

Revise regularmente todos los elementos de soporte y convéncese de que han sido fuertemente atiesados. En caso de que algún tornillo se haya aflojado, ajústelo inmediatamente para evitar situaciones de riesgo.

Si el cable de alimentación está dañado, la sustitución de éste ha de efectuarse por el fabricante o por un técnico de servicio suyo para evitar los peligros derivados de la sustitución.

LIMPIEZA

Mantenga siempre limpias la máquina y las rejillas de ventilación para trabajar con seguridad.

Revise con regularidad que en la rejilla de ventilación, cerca del motor eléctrico o de los conmutadores, no hayan penetrado polvo o cuerpos ajenos. Utilice un cepillo blando para quitar el polvo que se ha acumulado. Durante la limpieza, lleve gafas de protección para proteger sus ojos.

Si el cuerpo de la máquina se debe limpiar, sacúdalo con un paño húmedo y suave. Podrá usarse un detergente de limpieza suave.



ADVERTENCIA: No deben usarse alcohol, gasolina ni otros disolventes. Nunca use detergentes corrosivos para limpiar las piezas de plástico.



ADVERTENCIA: El agua no debe entrar en contacto con la máquina.

¡IMPORTANTE! Para garantizar un trabajo seguro con la herramienta eléctrica y su fiabilidad, todas las actividades relativas a su reparación, mantenimiento y regulación (incluidas revisión y cambio de cepillos) deberán efectuarse por los centros de servicio autorizados de SPARKY, utilizando sólo piezas de recambio originales.

Garantía

El periodo de garantía de las herramientas SPARKY aparece indicado en la hoja de garantía.

Los daños debido a llevar ropa normal, a sobrecargas o manejo indebido se excluirán de la garantía.

Los daños debido al uso de materiales defectuosos, así como a defectos en la hechura serán subsanados libres de gastos por medio de sustitución o reparación.

Se reconocerán las quejas por herramientas SPARKY defectuosas si la máquina se devuelve al distribuidor o si se entrega al servicio autorizado de garantía sin desmontar, en su estado inicial.

Notas

Lea atentamente todo el manual del uso antes de utilizar este producto.

El fabricante se reserva el derecho a cambiar las especificaciones sin previo aviso.

Las especificaciones pueden ser distintas de país a país.

Conteúdo

Introdução	39
Dados técnicos	41
Instruções gerais ao trabalhar com instrumentos eléctricos	42
Regras adicionais de segurança do trabalho com lixadeiras	43
Conhecimento do instrumento	A/44
Instruções para o trabalho	44
Manutenção	45
Garantia	46

DESEMBALAGEM

De acordo com as tecnologias de produção geralmente utilizadas, é pouco provável o novo instrumento eléctrico que você adquiriu ser ineficiente ou lhe faltar alguma peça. Mesmo assim, se você verificar que qualquer coisa não está bem, não trabalhe com o instrumento, enquanto a peça ineficiente não for substituída, ou a imperfeição não ficar eliminada. O não seguimento desta recomendação é capaz de provocar um acidente de trabalho grave.

MONTAGEM

MP 250 fornece-se em caixa, completamente montada, à excepção do adaptador e do saquinho de pó.

MP 251 fornece-se em mala, completamente montada, à excepção do adaptador e do saquinho de pó.

I - Introdução

O novo instrumento eléctrico SPARKY que adquiriu vai ultrapassar as suas expectativas. Ele foi fabricado de acordo com os mais elevados padrões de qualidade da SPARKY, os quais vão de encontro com as exigências mais rigorosas do consumidor. Fácil de manutenção e seguro durante a utilização, sendo correctamente manipulado, este instrumento eléctrico servir-lhe-á fielmente durante muitos anos.

ATENÇÃO!



Leia atentamente toda a instrução para o uso, antes de começar a trabalhar com o seu novo instrumento eléctrico SPARKY. Preste especial atenção aos textos que começam com a palavra "Atenção". O seu instrumento eléctrico SPARKY possui qualidades que hão de facilitar o seu trabalho. Ao ser fabricado este instrumento eléctrico, maior atenção foi prestada à segurança, às qualidades de exploração e à fiabilidade, as quais fazem dele um instrumento fácil de manutenção e de exploração.



Não deitar o instrumento eléctrico para o lixo comum!

Os resíduos de aparelhos eléctricos não se devem misturar com o lixo comum. Mande-os para reciclagem nos lugares destinados a isso. Ponha-se em contacto com as autoridades locais ou com um representante para consultar a forma de reciclagem.

PROTECÇÃO DO MEIO AMBIENTE



Visando a protecção do meio ambiente, o instrumento eléctrico, os seus acessórios e embalagem têm-de-ser submetidos a uma adequada reelaboração para serem novamente utilizadas as matérias primas contidas neles.

Para facilitar a reciclagem, as peças feitas de materiais sintéticos levam a respectiva denotação.

DESCRIÇÃO DOS SÍMBOLOS

Sobre a chapa com os dados do instrumento eléctrico estão denotados os símbolos especiais que fornecem importante informação sobre o artefacto ou recomendações para o seu uso.



Duplo isolamento para protecção adicional



Conexão com aspirador de pó



Conformidade com as directrizes europeias aplicáveis



Conformidade com as exigências dos documentos normativos russos



Conformidade com as exigências dos documentos normativos ucranianos



Conheça a instrução de exploração

YYYY-Www


Período de fabrico, onde os símbolos variáveis são:

YYYY - ano de fabrico, ww – a respectiva semana corrente do calendário

MP

LIXADEIRA DE PLACA PLACA

Dados técnicos

Modelo	MP 250 • MP 251
• Potência consumida	250 W
• Velocidade ao ralenti	14000 min ⁻¹
• Excentricidade	1,5 mm
• Dimensões da placa de moagem (MP 250)	108x112 mm
• Dimensões da placa de moagem (MP 251)	108x112 mm
	162x112 mm
	196x112 mm
• Peso (EPTA procedimento 01/2003)	1,55 kg
• Classe de segurança 	II



INFORMAÇÃO SOBRE RUIÍDO E VIBRAÇÕES

(Os valores foram determinados de acordo com EN 60745)

• Emanação de ruído:	
A- nível calculado de pressão sonora L_{pA}	79 dB (A)
Ambiguidade K_{pA}	3 dB (A)
A- nível calculado de potência sonora L_{WA}	90 dB (A)
Ambiguidade K_{WA}	3 dB (A)



Use meios de protecção contra o barulho!

• **Emanação de vibrações***

Valor global das vibrações (soma vetorial pelos três eixos), determinado de acordo com EN 60745:

• Lixação	
Valor das vibrações emanadas $a_{h,D}$	6,3 m/s ²
Ambiguidade $K_{h,D}$	1,5 m/s ²

* As vibrações foram determinadas de acordo com o p. 6.2.7 da EN 60745-1

O nível das vibrações, indicado neste manual, foi determinado com base no teste indicado por EN 60745 e pode ser utilizado para a comparação de instrumentos eléctricos. O nível das vibrações pode ser utilizado para a avaliação prévia do grau de impacto.

O nível das vibrações declarado refere-se à utilização/função principal do instrumento. Caso o instrumento eléctrico seja utilizado para outros fins, ou forem utilizados outros acessórios, ou o instrumento não for bem tratado, o nível das vibrações diferenciar-se-á do declarado. Em tais casos o nível do impacto pode crescer consideravelmente dentro do período laboral total.

Ao avaliar o nível de impacto das vibrações, é preciso considerar também o tempo em que o instrumento está desligado, ou está ligado, mas sem funcionar. Tal pode diminuir consideravelmente o nível do impacto dentro do período laboral total.

Mantenha o instrumento eléctrico e os acessórios em bom estado. Cuide as mãos quentes durante o trabalho – isto vai diminuir o efeito nocivo do trabalho com instrumentos de vibração elevada.

O pó resultante do processamento dos materiais tais como pinturas com conteúdo de chumbo, certos tipos de madeiras, minerais e metais, pode ser nocivo para a saúde. O contacto directo ou a aspiração do pó pode causar reacções alérgicas e/ou doenças das vias respiratórias do trabalhador ou das pessoas que se encontram perto dele.

Alguns tipos de pó, por exemplo o de carvalho ou de faia consideram-se carcinogénicos, sobretudo em combinação com ingredientes utilizados no processamento da madeira, tais como cromado ou conservantes. O material que contém amianto tem de ser processado só por especialistas

- Quando for possível, utilize sistemas para o desvio do pó.
- Para atingir maior grau de captação do pó, ao trabalhar com o instrumento, utilize aspirador de pó.
- Garanta a boa ventilação do local de trabalho.
- Recomenda-se o uso de máscara anti-pó com filtro da classe P2.

Cumpra as regras vigentes no Seu país referentes ao processamento dos diferentes materiais.

Indicações gerais de advertência para ferramentas eléctricas



ATENÇÃO! Devem ser lidas todas as indicações de advertência e todas as instruções. O desrespeito das advertências e instruções apresentadas abaixo pode causar choque eléctrico, incêndio e/ou graves lesões.

Guarde bem todas as advertências e instruções para futura referência.

O termo “Ferramenta eléctrica” utilizado a seguir nas indicações de advertência, refere-se a ferramentas eléctricas operadas com corrente de rede (com cabo de rede) e a ferramentas eléctricas operadas com bateria (sem cabo de rede).

1. SEGURANÇA DA ÁREA DE TRABALHO

- Mantenha a sua área de trabalho sempre limpa e bem iluminada. Desordem ou áreas de trabalho insuficientemente iluminadas podem levar a acidentes.
- Não trabalhar com a ferramenta eléctrica em áreas com risco de explosão, nas quais se encontrem líquidos, gases ou pós inflamáveis. Ferramentas eléctricas produzem faíscas, que podem inflamar pós ou vapores.
- Manter crianças e outras pessoas afastadas da ferramenta eléctrica durante a utilização. No caso de distração é possível que perca o controlo sobre o aparelho.

2. SEGURANÇA ELÉCTRICA

- A ficha de conexão da ferramenta eléctrica deve caber na tomada. A ficha não deve ser modificada de maneira alguma. Não utilizar uma ficha de adaptação junto com ferramentas eléctricas protegidas por ligação a terra. Fichas não modificadas e tomadas apropriadas reduzem o risco de um choque eléctrico.
- Evitar que o corpo possa entrar em contacto com superfícies ligadas a terra, como tubos, aquecimentos, fogões e frigoríficos. Há um risco elevado devido a um choque eléctrico, se o corpo estiver ligado a terra.
- Manter o aparelho afastado de chuva ou humidade. A infiltração de água numa ferramenta eléctrica aumenta o risco de choque eléctrico.
- Não deverá utilizar o cabo para outras finalidades. Jamais utilizar o cabo para transportar a ferramenta eléctrica, para pendurá-la, nem para puxar a ficha da tomada. Manter o cabo afastado de calor, óleo, cantos afiados ou partes do aparelho em movimento. Cabos danificados ou emaranhados aumentam o risco de um choque eléctrico.
- Se trabalhar com uma ferramenta eléctrica ao ar livre, só deverá utilizar cabos de extensão

apropriados para áreas exteriores. A utilização de um cabo de extensão apropriado para áreas exteriores reduz o risco de um choque eléctrico.

- Se não for possível evitar o funcionamento da ferramenta eléctrica em áreas húmidas, deverá ser utilizado um disjuntor de corrente de avaria. A utilização de um disjuntor de corrente de avaria reduz o risco de um choque eléctrico.

3. SEGURANÇA DE PESSOAS

- Esteja atento, observe o que está a fazer e tenha prudência ao trabalhar com a ferramenta eléctrica. Não utilizar uma ferramenta eléctrica quando estiver fatigado ou sob a influência de drogas, álcool ou medicamentos. Um momento de descuido ao utilizar a ferramenta eléctrica, pode levar a lesões graves.
- Utilizar equipamento de protecção pessoal e sempre óculos de protecção. A utilização de equipamento de protecção pessoal, como máscara de protecção contra pó, sapatos de segurança antiderrapantes, capacete de segurança ou protecção auricular, de acordo com o tipo e aplicação da ferramenta eléctrica, reduz o risco de lesões.
- Evitar uma colocação em funcionamento involuntária. Assegure-se de que a ferramenta eléctrica esteja desligada, antes de conectá-la a alimentação de rede e/ou ao acumulador, antes de levantá-la ou de transportá-la. Se tiver o dedo no interruptor ao transportar a ferramenta eléctrica ou se o aparelho for conectado a alimentação de rede enquanto estiver ligado, poderão ocorrer acidentes.
- Remover ferramentas de ajuste ou chaves de boca antes de ligar a ferramenta eléctrica. Uma ferramenta ou chave que se encontre numa parte do aparelho em movimento pode levar a lesões.
- Evite uma posição anormal. Mantenha uma posição firme e mantenha sempre o equilíbrio. Desta forma é mais fácil controlar a ferramenta eléctrica em situações inesperadas.
- Usar roupa apropriada. Não usar roupa larga nem jóias. Mantenha os cabelos, roupas e luvas afastadas de partes em movimento. Roupas frouxas, cabelos longos ou jóias podem ser agarrados por peças em movimento.
- Se for possível montar dispositivos de aspiração ou de recolha, assegure-se de que estejam conectados e utilizados correctamente. A utilização de uma aspiração de pó pode reduzir o perigo devido ao pó.

4. UTILIZAÇÃO E MANUSEIO CUIDADOSO DE FERRAMENTAS ELÉCTRICAS

- Não sobrecarregue o aparelho. Utilize a ferramenta eléctrica apropriada para o seu trabalho. É melhor e mais seguro trabalhar com a ferramenta eléctrica apropriada na área de potência indicada.
- Não utilizar uma ferramenta eléctrica com um interruptor defeituoso. Uma ferramenta eléctrica que não pode mais ser ligada nem desligada, é perigosa e deve ser reparada.

- c) Puxar a ficha da tomada e/ou remover o acumulador antes de executar ajustes no aparelho, de substituir acessórios ou de guardar o aparelho. *Esta medida de segurança evita o arranque involuntário da ferramenta eléctrica.*
- d) Guardar ferramentas eléctricas não utilizadas fora do alcance de crianças. Não permita que pessoas que não estejam familiarizadas com o aparelho ou que não tenham lido estas instruções, utilizem o aparelho. *Ferramentas eléctricas são perigosas se forem utilizadas por pessoas inespertas.*
- e) Tratar a ferramenta eléctrica com cuidado. Controlar se as partes móveis do aparelho funcionam perfeitamente e não emperram, e se há peças partidas ou danificadas que possam prejudicar o funcionamento da ferramenta eléctrica. Permitir que peças danificadas sejam reparadas antes da utilização. *Muitos acidentes têm como causa, a manutenção insuficiente de ferramentas eléctricas.*
- f) Manter as ferramentas de corte afiadas e limpas. *Ferramentas de corte cuidadosamente tratadas e com cantos de corte afiados emperram com menos frequência e podem ser conduzidas com maior facilidade.*
- g) Utilizar a ferramenta eléctrica, acessórios, ferramentas de aplicação, etc. conforme estas instruções. Considerar as condições de trabalho e a tarefa a ser executada. *A utilização de ferramentas eléctricas para outras tarefas a não ser as aplicações previstas, pode levar a situações perigosas.*

5. SERVIÇO

- a) Só permita que o seu aparelho seja reparado por pessoal especializado e qualificado e só com peças de reposição originais. *Desta forma é assegurado o funcionamento seguro do aparelho.*

Regras adicionais de segurança do trabalho com lixadeiras de placa



Durante o trabalho use meios de protecção da vista para se proteger de partículas voadoras. *Leve óculos protectores.*



Durante o trabalho prolongado use meios de protecção do ouvido. *O barulho exagerado durante o trabalho pode prejudicar a audição.*



Tome medidas de precaução contra a aspiração de pó. *Certos materiais podem conter elementos tóxicos. Use máscara anti-pi. Use dispositivo para remoção da poeira.*

- Não processe materiais que contêm amianto. O amianto considera-se substância carcinogénica.
- Recomenda-se usar luvas protectoras.



ATENÇÃO: Antes de ligar o instrumento no rede alimentadora verifique se a tensão alimentadora corresponde à indicada sobre a chapa dos dados técnicos do instrumento.

- Uma fonte de alimentação de tensão superior à da assinalada para o instrumento eléctrico, pode provocar ao operador grave lesão da corrente eléctrica, como também pode causar dano ao instrumento.
- Caso tenha quaisquer dúvidas, não meta o plug do instrumento eléctrico no contacto da rede.
- Uma fonte de alimentação de tensão inferior à da assinalada para o instrumento eléctrico, pode causar dano ao motor eléctrico do instrumento
- Para evitar um eventual sobreaquecimento, sempre desdobre até ao fim o cabo de extensor com tambor de cabo.
- Quando for necessário usar extensor, verifique se a sua secção corresponde à corrente nominal do instrumento eléctrico e se o extensor se encontra em estado perfeito.



ATENÇÃO: Desligue sempre o instrumento da rede quando vai fazer qualquer revisão ou manutenção ou no caso de queda da tensão alimentadora.

- Use a máquina só para lixagem em seco.
- Fixe a peça processada com braçadeiras ou de outro modo adequado.
- Use folhas abrasivas perfuradas com fixação aderente e com as dimensões recomendadas.
- Não se permite trabalhar com folha abrasiva já usada em metal para processar outros materiais.
- Não ligue o instrumento sob carga e deixe-o só depois da paragem definitiva da rotação.
- Não sobre carregue o instrumento – deixe-o trabalhar a velocidade normal. O sobrecarregamento pode resultar numa pressão exagerada que vai demorar o trabalho do motor, diminuirá a eficiência do instrumento e possivelmente vai causar avaria no próprio motor.
- A presença de pó tóxico que resulta da lixagem de superfícies de contêm chumbo, quartzo (bióxido de silício), o contacto com ele ou a sua aspiração pode ser nocivo para o operador ou para os observadores.
- Mantenha o cabo alimentador fora da área operacional do instrumento.
- Não use o instrumento se o cabo for avariado. Não toque o cabo avariado e desligue o plug da rede, caso o cabo se tenha avariado durante o processo de trabalho.
- O instrumento tem de se utilizar só para o que for destinado. Qualquer outro uso, diferente do que se descreve na presente instrução considerar-se-á uso incorrecto. A responsabilidade de qualquer dano ou lesão em resultado do uso incorrecto, será assumida pelo consumidor e não pelo fabricante.
- Para trabalhar correctamente com este instrumento, é preciso observar as regras de segurança, as instruções gerais e as recomendações para o trabalho aqui assinaladas. Todo consumidor tem de conhecer esta

- instrução para o uso do instrumento e tem de estar informado sobre os eventuais riscos ao trabalhar com o instrumento eléctrico.
- Crianças e pessoas de físico fraco não têm de utilizar o instrumento. As crianças têm de encontrar-se sob constante controlo, quando se encontram perto do lugar de trabalho com o instrumento. É também obrigatório tomar medidas preventivas de segurança. O mesmo refere-se também ao acatamento das regras fundamentais de segurança e saúde profissional.
- O fabricante não assume a responsabilidade pelas modificações introduzidas pelo consumidor no instrumento eléctrico ou pelas avarias causadas por tais modificações.
- O instrumento eléctrico não se deve usar à intempérie em tempo de chuva, em ambiente úmido (depois de chuva) ou perto de líquidos e gases inflamáveis. O local de trabalho tem de se manter bem iluminado.

Conhecimento do instrumento eléctrico

Antes de começar a trabalhar com o instrumento eléctrico, conheça todas as suas especificidades operacionais e as condições de segurança.

Utilize o instrumento só para o que está destinado. Todo uso diferente fica terminantemente proibido.

1. Botão do interruptor
2. Indicador da presença de alimentação
3. Folha abrasiva de lixa
4. Placa de moagem
5. Pressor (MP 250)
6. Dispositivo de remoção da poeira (bolsa)
7. Guia-padrão (MP 250)
8. Adaptador para a remoção da poeira.
9. Placa de moagem (MP 251)
10. Folha abrasiva perfurada de lixa (MP 251)
11. Folha abrasiva de lixa superior (MP 251)
12. Almofada superior de espuma (MP 251)
13. Placa de moagem combinada (MP 251)
14. Folha perfurada de lixa rectangular (MP 251)
15. Almofada superior de espuma (MP 251)
16. Folha abrasiva de lixa superior (MP 251)

Instruções para o trabalho

Este instrumento eléctrico alimenta-se só por tensão monofásica variável. Tem duplo isolamento de acordo com EN 60745-1 e IEC 60745 e pode-se ligar a contactos sem braçadeiras de segurança. As interferências de rádio correspondem à Directriz de compatibilidade electromagnética 2004/108/EC.

Este instrumento é destinado para lixação e polimento de superfícies planas e convexas de metal, plástico e madeira.

ANTES DE COMEÇAR O TRABALHO

- Verifique se a tensão alimentadora corresponde à assinalada sobre a chapa dos dados técnicos do instrumento.

- Verifique a posição do interruptor. O instrumento eléctrico tem de se ligar e desligar da rede só com o interruptor desligado. Se colocar o plug no contacto quando o interruptor estiver ligado, o instrumento vai accionar-se imediatamente, o que é uma premissa para acidente.
- Convença-se da perfeição do cabo alimentador e do plug. Se o cabo estiver avariado, a substituição tem de se fazer pelo fabricante ou pelo seu especialista no serviço, para se evitarem os eventuais riscos.



ATENÇÃO: Antes de usar o instrumento para processamento de metal, retire sempre a bolsa de pó, pois as faíscas podem inflamar tanto o pó como a bolsa.



ATENÇÃO: Desligue sempre o instrumento da rede quando vai fazer qualquer revisão ou manutenção ou no caso de queda da tensão alimentadora.

INICIAR - PARAR

Iniciar: o interruptor (1) coloca-se na posição "I".

Parar: o interruptor (1) coloca-se na posição "O".

MONTAGEM DA FOLHA ABRASIVA (A LIXA)

MP 250

Use folha abrasiva comum ou folhas autocolantes com fixação aderente.

Ao usar folha abrasiva comum:

Desligue o plug da rede alimentadora. Limpe a placa de moagem (4). Ao apertar ou substituir a folha de lixa os pressores (5) abrem-se.

Um dos extremos da folha coloca-se debaixo do pressor aberto(5) e aperta-se.

A folha de lixa (3) tem de estar bem esticada sobre a placa de moagem, depois do qual o outro extremo da folha aperta-se com o segundo pressor.

Use o guia-padrão (7) para marcar os lugares de perfuração de buracos, para maior comodidade durante a montagem e para uma óptima coincidência entre os buracos da folha abrasiva e a placa de moagem. Os buracos da folha abrasiva têm de coincidir com os da placa de moagem (4) para a remoção eficaz da poeira.

Ao usar folhas autocolantes com fixação aderente

Desligue o plug da rede alimentadora. Limpe a placa de moagem (4). Aperte a folha abrasiva (3) para a placa de moagem (4). Os buracos da folha abrasiva têm de coincidir com os da placa de moagem para a remoção eficaz da poeira.

Use o guia-padrão (7) para marcar os lugares de perfuração de buracos, para maior comodidade durante a montagem e para uma óptima coincidência entre os buracos da folha abrasiva e a placa de moagem.

MP 251

Use folhas autocolantes com fixação aderente.

Desligue o plug da rede alimentadora. Conforme o traba-

Iho a efectuar escolha uma das placas de moagem. Para substituir a placa de moagem, com a ajuda de uma chave de fenda cruz afrouxe os quatro parafusos, coloque a outra placa e aperte os parafusos (Fig. 1a, Fig. 1b) Limpe a placa de moagem.

Caso seja necessário, coloque sobre a parte superior da placa de moagem a almofada superior de espuma.

Aperte a folha abrasiva para a placa.

Os buracos da folha abrasiva têm de coincidir com os da placa de moagem para a remoção eficaz da poeira.

LIXAÇÃO

O instrumento coloca-se com a sua inteira superfície sobre a peça a processar.

A lixadeira tem de se mover paralelamente alternando periodicamente o sentido longitudinal com o sentido transversal.

O instrumento não tem de ser apertado demais para a superfície processada. Ao aumentar a pressão, a produtividade em vez de aumentar, diminui.

De vez em quando separe o pó da folha abrasiva batendo-a.

Não se admite lixar madeira e metal com a mesma folha.

MP 251

A placa combinada permite lixar superfícies tanto com a parte traseira da placa como atingir lugares de difícil acesso com a parte dianteira da placa. A parte dianteira pode-se cobrir de lixa por cima para ser utilizada simultaneamente na lixação de slots estreitos (por exemplo, persianas de madeira).

REMOÇÃO DA POEIRA

A remoção da poeira pelos buracos da folha abrasiva da placa aumenta a produtividade e prolonga a vida da folha abrasiva. O dispositivo de remoção da poeira (6) tem de se vaziar regularmente.

REMOÇÃO EXTERNA DA POEIRA

Está prevista a hipótese de ligar o instrumento a um aspirador de pó. Caso a poeira for exagerada, recomenda-se retirar o dispositivo de remoção da poeira (6) e ligar o instrumento directamente ao aspirador de pó.

ACESSÓRIOS QUE PODEM SER UTILIZADOS COM ESTE INSTRUMENTO

MP 250:

Folha de lixa P80 - 1 ex., adaptador - 1 ex., bolsa de pó - 1ex., gui9a-padrão - 1 ex.

MP 251:

Almofada de espuma - 4 tipos

Folha de lixa superior - 2 tipos x 3 ex.

Placa de moagem combinada - 2 tipos

Folhas de lixa - 3 tipos x 3 ex.

Adaptador - 1 ex.

Bolsa de pó - 1 ex.

Manutenção



ATENÇÃO: Desligue sempre o instrumento da rede quando vai fazer qualquer revisão ou manutenção.

SUBSTITUIÇÃO DAS ESCOVAS

Quando ficarem desgastadas, as duas escovas têm de ser substituídas ao mesmo tempo por escovas originais na oficina de serviço da SPARKY para manutenção dentro do prazo de garantia e fora dele.

REVISÃO GERAL

Revise regularmente todos os parafusos no corpo e convença-se de que todos estão bem apertados. Caso algum dos parafusos esteja afrouxado, aperte-o imediatamente para evitar situações de risco.

Se o cabo alimentador ficar danificado, a substituição tem de se fazer pelo fabricante ou pelo seu especialista na oficina de serviço, para evitar os riscos durante a substituição.

LIMPEZA

Visando a segurança de trabalho, mantenha sempre limpa a máquina e as aberturas de ventilação

Verifique regularmente se na grade de ventilação perto do motor eléctrico ou perto dos comutadores não tenham penetrado corpos alheios. Utilize uma escova macia para limpar o pó acumulado. Para preservar os olhos, utilize durante a limpeza óculos protectores.

Se o corpo do instrumento precisa de limpeza, limpe-o com um pano macio levemente úmido. Pode ser utilizado um fraco detergente.



ATENÇÃO: Não se admite a penetração de água em contacto com o instrumento.



ATENÇÃO: Não se admite o uso de álcool, gasolina ou outro solvente. Não utilize nunca substâncias corrosivas para limpar as peças de plástico.

IMPORTANTE! Para garantir a segurança do trabalho com o instrumento eléctrico ou a sua confiabilidade, todas as actividades de reparação, manutenção e regulação (inclusive a revisão e a substituição das escovas) têm de se realizar nas oficinas de serviço da SPARKY, utilizando só peças de sobresselente originais

Garantia

O prazo de garantia dos instrumentos eléctricos SPARKY está indicado no cartão de garantia. Problemas surgidos em resultado do desgaste natural, sobrecarga ou utilização incorrecta, ficam excluídos dos deveres da garantia. Os problemas surgidos devido ao uso de materiais de baixa qualidade e/ou erros de fabricação, eliminam-se sem pagamento adicional mediante substituição ou reparação.

Reclamação por um instrumento eléctrico SPARKY defeituoso reconhece-se quando o instrumento for devolvido ao distribuidor ou for levado a uma oficina autorizada de assistência em prazo de garantia no seu estado inicial (montado).

Observações

Leia atentamente toda a instrução para o uso, antes de começar a trabalhar com este aparelho.

O fabricante reserva-se o direito de introduzir melhoras e modificações nos seus aparelhos, bem como modificar as especificações sem aviso.

As especificações podem variar de país para país.

Spis Treści

Wstęp	47
Dane techniczne	49
Instrukcje bezpieczeństwa przy pracy elektronarzędzami	50
Instrukcje bezpieczeństwa dla szlifierek oscylacyjnych	51
Podstawowe elementy	A/52
Obsługa	52
Konserwacja	53
Gwarancja	53

ROZPAKOWANIE

Państwa produkt został zmontowany i zapakowany z należytą starannością, istnieje niewielkie prawdopodobieństwo, że urządzenie może być uszkodzone lub brakować części. Jeśli zostanie taki fakt stwierdzony nie należy używać urządzenia do momentu usunięcia braków. Praca niekompletnym urządzeniem może być przyczyną poważnych uszkodzeń ciała.

MONTAŻ

MP 250, dostarczana w pudełku, jest w pełni zmontowana bez adaptera i worka na pył.

MP 251, dostarczana w walizce, jest w pełni zmontowana bez adaptera i worka na pył.

Wstęp

Gratulujemy wyboru urządzenia SPARKY, zdolnego spełnić oczekiwania najbardziej wymagającego użytkownika. Urządzenie zostało wyprodukowane zgodnie z rygorystycznymi standardami jakości SPARKY, aby zapewnić najwyższą jakość funkcjonowania. To łatwe i bezpieczne w użytkowaniu urządzenie, odpowiednio stosowane i konserwowane, zapewni Państwu długie lata niezawodnej pracy.

UWAGA!



Prosimy o dokładne zapoznanie się z niniejszą instrukcją obsługi przed użyciem urządzenia SPARKY, zwracając szczególną uwagę na ostrzeżenia i uwagi. Dzięki swoim cechom urządzenie SPARKY zapewnia szybką i łatwą pracę. Bezpieczeństwo, niezawodność i wydajność były priorytetami przy konstruowaniu tego urządzenia, by zapewnić łatwość obsługi oraz utrzymania.



Nie wyrzucać urządzeń elektrycznych razem z domowymi śmieciami!

Zużyte urządzenia elektryczne nie mogą być wyrzucane wraz z ze śmieciami z gospodarstwa domowego. Tam gdzie to możliwe, należy oddać zużyte urządzenie do punktu recyklingu. Należy skontaktować się z władzami lokalnymi lub sprzedawcą w celu uzyskania informacji odnośnie recyklingu.



OCHRONA ŚRODOWISKA

Urządzenie, akcesoria oraz opakowanie powinny zostać odpowiednio posortowane przez recyklingiem. Części plastikowe są oznaczone odnośnie odpowiedniej kategorii odzyskiwania surowca.

OPIS SYMBOLI

Tabliczka znamionowa na urządzeniu może zawierać symbole graficzne. Przedstawiają one ważne informacje o produkcie lub jego obsłudze.



Podwójna izolacja zabezpieczenia dodatkowego



Podłączenie do odkurzacza



Zgodny z odpowiednimi dyrektywami europejskimi



Zgodność z wymogami rosyjskich dokumentów normatywnych



Zgodność z wymogami ukraińskich dokumentów normatywnych



Zapoznać się z instrukcją obsługi

YYYY-Www

Okres produkcji, w którym zmiennymi symbolami są:
YYYY - roku produkcji, ww – tydzień kalendarzowy

MP

SZLIFIERKA OSCYLACYJNA

Dane techniczne

Model	MP 250 • MP 251
▪ Moc	250 W
▪ Prędkość bez obciążenia	14000 min ⁻¹
▪ Mimosładowość (sr. oscylacji.)	1,5 mm
▪ Wielkość stopy (MP 250)	108x112 mm
▪ Wielkość stopy (MP 251)	108x112 mm 162x112 mm 196x112 mm
▪ Waga (Procedura EPTA 01/2003)	1,55 kg
▪ Klasa ochrony (EN 60745-1) 	II



INFORMACJE O POZIOMIE HAŁASU I WIBRACJI

Wartości zmierzone zgodnie z normą EN 60745

▪ Emisja hałasu	
Określony wg skali A poziom ciśnienia akustycznego L_{pA}	79 dB (A)
Nieoznaczoność K_{pA}	3 dB (A)
Określony wg skali A poziom mocy akustycznej L_{WA}	90 dB (A)
Nieoznaczoność K_{WA}	3 dB (A)



Nosić ochronę słuchu!

▪ **Emisja wibracji ***

Wartości łączne drgań (suma wektorowa z trzech kierunków) określone zgodnie z normą EN 60745:

▪ Szlifowanie	
Wartość emisji drgań a_{hV}	6,3 m/s ²
Nieoznaczoność K	1,5 m/s ²

* Wartości emisji drgań określone zgodnie z punktem 6.2.7 normy EN 60745-1.

Podany w niniejszej instrukcji poziom drgań został zmierzony zgodnie z określoną przez normę EN 60745 procedurą i może być używany do porównywania urządzeń. Może być stosowany do wstępnego określenia ekspozycji.

Deklarowany poziom emisji drgań odnosi się do głównego zastosowania urządzenia. Jeżeli urządzenie zostanie przeznaczone do innych zastosowań, z innym osprzętem lub nie będzie należycie konserwowane, poziom emisji wibracji może się różnić. Może to znacznie zwiększyć poziom ekspozycji w łącznym czasie pracy.

Aby dokładnie określić poziom ekspozycji na drgania, należy także brać pod uwagę okresy gdy urządzenie jest wyłączone, lub gdy nawet jest włączone, ale nie wykorzystywane do pracy. Może to znacznie obniżyć poziom ekspozycji na drgania w łącznym czasie pracy.

Chronić urządzenie oraz osprzęt oraz dbać o zapewnienie ciepła dłoniom podczas pracy w celu obniżenia szkodliwego wpływu drgań.

Pył z takich materiałów jak np. farba zawierająca ołów, niektóre gatunki drewna, minerały oraz metal może być szkodliwy. Kontakt lub inhalacja pyłów może spowodować reakcje alergiczne i/lub choroby układu oddechowego u operatora lub osób znajdujących się w bezpośredniej bliskości.

Pewne odmiany pyłów sklasyfikowane są jako rakotwórcze np. pył dębowy czy bukowy w szczególności w połączeniu z dodatkami zawierającymi chromaty i środki konserwujące. Materiały zawierające azbest mogą być obrabiane jedynie przez specjalistów.

- Tam gdzie możliwe jest stosowanie odciągu pyłów należy je stosować.
- Aby uzyskać wysoką skuteczność odciągu pyłów, stosować odkurzacz do drewna lub do drewna i minerałów wraz z niniejszym urządzeniem.
- Miejsce pracy musi być dobrze wentylowane.
- Zaleca się stosowanie maski p.pyłowej lub filtrów klasy P2.

Przestrzegać przepisów krajowych odnośnie obrabianych materiałów.

Instrukcje bezpieczeństwa przy pracy elektronarzędzami



Uwaga! Przeczytać wszystkie instrukcje bezpieczeństwa. Nie przestrzeganie instrukcji i ostrzeżeń może spowodować porażenie prądem, pożar i/lub poważne obrażenia.

Zachować wszystkie instrukcje i ostrzeżenia.

Termin: „urządzenie” we wszystkich poniższych informacjach odnosi się do urządzeń zasilanych z sieci (przewodowych) oraz urządzeń akumulatorowych (beprzewodowych).

1. BEZPIECZEŃSTWO MIEJSCA PRACY

- Miejsce pracy musi być zawsze dobrze oświetlone i czyste. Niedoświetlenie oraz nieład mogą być przyczyną wypadków.
- Nie należy używać urządzenia w obecności palnych płynów, gazów i pyłów. Podczas pracy urządzenia powstają iskry, które mogą zapalić pyły lub opary.
- Chronić przed dziećmi i osobami postronnymi. Brak skupienia może spowodować utratę kontroli nad urządzeniem.

2. BEZPIECZEŃSTWO ELEKTRYCZNE

- Wtyczka urządzenia musi pasować do gniazda zasilającego. Nie wolno modyfikować wtyczki w jakikolwiek sposób. Nie stosować żadnych adapterów w przypadku elektronarzędzi wymagających uziemienia. Nie modyfikowane wtyczki oraz gniazda zasilające redukują ryzyko porażenia prądem.
- Unikać kontaktu z uziemionymi przedmiotami takimi jak, rury, grzejniki, piece i lodówki. Ryzyko porażenia prądem wzrasta gdy ciało użytkownika zostanie uziemione poprzez kontakt z np. ww. przedmiotami.
- Nie narażać urządzenia na kontakt z wodą – w takim wypadku wzrasta zagrożenie porażenia prądem.
- Nie przenosić, nie wyłączać ani nie ciągnąć urządzenia trzymając za przewód. Chronić przewód przed źródłem ciepła, olejami, przedmiotami o ostrych brzegach lub ruchomych częściach. Uszkodzony lub splątany przewód może zwiększyć ryzyko porażenia prądem.
- Podczas pracy na zewnątrz należy zawsze stosować odpowiedni przewód przedłużający. Stosowanie przewodu przeznaczonego do pracy na zewnątrz zmniejsza ryzyko porażenia prądem.
- Jeśli praca w wilgotnym środowisku jest nieunikniona, stosować zasilanie zabezpieczone wyłącznikiem różnicowo-prądowy. Stosowanie wyłącznika różnicowo-prądowego zmniejsza ryzyko porażenia prądem.

3. BEZPIECZEŃSTWO OSOBISTTE

- Zawsze należy pracować w należytych sku-

pieni i kierować się rozsądkiem. Nie używać urządzenia pozostając pod wpływem leków, alkoholu lub narkotyków, w trakcie leczenia lub będąc zmęczonym. Chwila nieuwagi podczas pracy urządzeniem może być przyczyną poważnych uszkodzeń ciała.

- Stosować wyposażenie ochronne. Zawsze używać ochrony oczu. Wyposażenie takie jak maska p.pyłowa, buty na podszewie antypoślizgowej, kask, ochronniki słuchu, redukuje zagrożenie uszkodzenia ciała.
- Unikać przypadkowego włączenia urządzenia. Upewnić się, że włącznik znajduje się w położeniu; „wyłączony” przed podłączeniem urządzenia do źródła zasilania. Przenoszenie urządzenia trzymając za włącznik lub podłączając je do zasilania z włącznikiem w pozycji: „włączone” może być przyczyną wypadków.
- Przed włączeniem urządzenia upewnić się, że nie jest dołączony żaden osprzęt regulujący (np. klucz). Pozostawienie klucza w rotującej części urządzenia może spowodować obrażenia.
- Nie przeceniać własnych możliwości. Zawsze dbać o odpowiednie oparcie dla nóg oraz balans. Zapewni to lepszą kontrolę w nieoczekiwanych sytuacjach.
- Stosować odpowiednie ubranie. Nie nosić luźnych ubrań ani biżuterii. Nie zbliżać włosów, ubrania ani rękawic roboczych do ruchomych części urządzenia. Luźne ubranie, biżuteria lub długie włosy mogą utknąć w ruchomych częściach urządzenia.
- Jeśli urządzenie jest wyposażone w adapter odprowadzania pyłów, należy sprawdzić czy jest odpowiednio podłączony i używany. Stosowanie systemu odprowadzania pyłów może obniżyć niebezpieczeństwa związane z pyleniem.

4. UŻYWANIE I KONSERWACJA URZĄDZENIA

- Nie przeciążać urządzenia. Stosować odpowiednie urządzenie do każdej pracy. Należy użyć dobre urządzenie wykona pracę lepiej i bezpiecznie w trybie do jakiego zostało zaprojektowane
- Nie używać urządzenia jeśli włącznik nie działa. Każde urządzenie z uszkodzonym włącznikiem jest niebezpieczne i musi zostać naprawione.
- Zawsze należy odłączyć urządzenie od zasilania i/lub wyjąć baterię przed zmianą ustawień, wymianą akcesoriów lub odłożeniem po pracy. Takie działania zmniejszy ryzyko przypadkowego włączenia urządzenia.
- Nie używane urządzenie należy chronić przed dziećmi oraz niepowołanymi osobami nie znającymi tego urządzenia lub niniejszej instrukcji. Elektronarzędzia są niebezpieczne w rękach nieprzeszkolonych osób.
- Konserwować elektronarzędzia. Sprawdzając połączenia części ruchomych, ewentualne uszkodzenia oraz inne czynniki mogące mieć wpływ na działanie urządzenia. W przypadku stwierdzenia uszkodzenia należy naprawić urządzenie przed dalszym użytkowaniem. Wiele wypadków spowodowanych jest nienależytą

konserwacją urządzenia.

- f) **Narzędzia tnące zawsze muszą być ostre.** Odpowiednio konserwowane narzędzia tnące z ostrymi krawędziami rzadziej się zacinają w obrabianym materiale i są łatwiejsze w obsłudze.
- g) **Niniejsze urządzenie oraz osprzęt do niego muszą być używane zgodnie z niniejszą instrukcją obsługi oraz w zakresie przewidzianym dla danego typu urządzenia.** Zawsze należy brać pod uwagę rodzaj pracy do wykonania oraz warunki panujące w miejscu pracy. Użycie elektronarzędzi do celów innych niż opisane w niniejszej instrukcji obsługi może spowodować niebezpieczne sytuacje.

5. SERWIS

- a) **Niniejsze urządzenie należy serwisować wyłącznie w autoryzowanych serwisach SPARKY z wykorzystaniem oryginalnych części zamiennych.** Takie postępowanie zapewni należyte bezpieczeństwo.

Instrukcje bezpieczeństwa dla szlifierek oscylacyjnych



Podczas pracy ciąglej nosić ochronę słuchu. *Narażenie na hałas może spowodować utratę słuchu.*



Podczas pracy zapewnić ochronę oczu przed narażeniem na odpryski. *Nosić okulary ochronne.*



Stosować środki zapobiegające pochłanianiu pyłów. *Niektóre materiały mogą zawierać toksyczne składniki. Nosić maskę p.pyłową i pracować z systemem odprowadzania pyłów jeśli to możliwe.*

- Nie obrabiać materiałów zawierających azbest. Azbest jest substancją uważaną za rakotwórczą.
- Zaleca się stosowanie rękawic roboczych.



UWAGA: Przed podłączeniem urządzenia do źródła zasilania należy upewnić się, że napięcie w sieci odpowiada napięciu podanemu na tabliczce znamionowej urządzenia.

- Źródło zasilania o napięciu wyższym niż zaznaczone na tabliczce znamionowej może być przyczyną poważnych uszkodzeń ciała oraz uszkodzeń urządzenia.
- W przypadku wątpliwości nie podłączać urządzenia.
- Korzystanie ze źródła o niższym napięciu niż przedstawione na tabliczce znamionowej jest szkodliwe dla silnika.
- Całkowicie rozwinąć przedłużacz bębnowy w celu uniknięcia potencjalnego przegrzania.
- W przypadku konieczności zastosowania przedłużacza, sprawdzić czy posiada odpowiednie dla urządzenia oznaczenie w amperach i czy jest w dobrym stanie.



UWAGA: Przed każdą regulacją oraz wykończeniem prac serwisowych i konserwacyjnych, a także po zaniku napięcia należy urządzenie wyłączyć i odłączyć od zasilania.

- Stosować wyłącznie do szlifowania na sucho.
- Jeśli to możliwe używać zacisków i imadeł do mocowania obrabianego materiału.
- Stosować perforowany papier ścierny w zalecanych rozmiarach.
- Papier ścierny stosowany do szlifowania metalu nie może być używany do szlifowania innych materiałów.
- Nigdy nie wyłączać szlifierek pod obciążeniem i odkładać dopiero gdy całkowicie się zatrzyma.
- Nie przeciążać urządzenia: pracować z dobrą braną prędkością. Przeciążenie może wystąpić przy zastosowaniu zbyt dużego nacisku powodującego spowolnienie pracy silnika w wyniku którego może nastąpić obniżenie wydajności szlifowania oraz uszkodzenie silnika.
- Utrzymywać czystość w miejscu pracy. Materiały złożone są szczególnie niebezpieczne. Pył z lekkich stopów może się zapalić lub eksplodować.
- Obecność szkodliwego, toksycznego pyłu wydzielającego się podczas obrabiania materiałów zawierających ołów, kwarc (Silicium Dioxide), dotykanie lub wdychanie może być niebezpieczne dla zdrowia operatora lub obserwatorów.
- Przewód powinien zawsze znajdować się poza obszarem pracy urządzenia.
- Nigdy nie używać urządzenia z uszkodzonym przewodem. Nie dotykać uszkodzonego przewodu ani nie wyciągać wtyczki z gniazda gdy przewód został uszkodzony podczas pracy. Uszkodzone przewody zwiększają ryzyko porażenia prądem.
- Urządzenie oraz osprzęt można wykorzystywać wyłącznie zgodnie z przeznaczeniem. Wszelkie inne zastosowania są traktowane jako użycie niezgodne z przeznaczeniem. Użytkownik, a nie producent będzie odpowiedzialny za wszelkie uszkodzenia lub obrażenia wynikłe z użycia niezgodnego z przeznaczeniem.
- W celu należytej obsługi urządzenia należy dokładnie zapoznać się z zasadami bezpieczeństwa, wskazówkami montażu oraz obsługi zawartymi w niniejszej instrukcji. Wszyscy użytkownicy i serwisanci muszą zostać zapoznani z niniejszą instrukcją obsługi oraz poinformowani o potencjalnych zagrożeniach. Dzieci oraz osoby postronne nie mogą używać niniejszego urządzenia. Jeśli w miejscu pracy znajdują się dzieci, muszą przez cały czas być pod opieką. Należy stosować się do lokalnych przepisów bezpieczeństwa oraz bezpieczeństwa i higieny pracy.
- Producent wyłącza wszelką odpowiedzialność za jakiegokolwiek zmiany dokonane w urządzeniu oraz ewentualne szkody wynikłe z ich dokonania.
- Urządzenie nie może być stosowane podczas deszczu na wolnym powietrzu, lub w wilgotnym środowisku (np. po deszczu), a także w pobliżu łatwopalnych płynów lub gazów. Miejsce pracy powinno być dobrze oświetlone.

Podstawowe elementy

Przed użyciem urządzenia należy zapoznać się z wszystkimi jego funkcjami i wymogami bezpieczeństwa.

Urządzenie oraz osprzęt można wykorzystywać wyłącznie zgodnie z przeznaczeniem. Wszelkie inne zastosowania są zabronione.

1. Włącznik / wyłącznik
2. Wskaźnik napięcia
3. Arkusz ścierny (papier ścierny) (MP 250)
4. Płyta szlifująca (MP 250)
5. Klamra (MP 250)
6. Worek na pył
7. Prowadnica (MP 250)
8. Adapter przyłącza odprowadzania pyłów
9. Wielozadaniowa stopa szlifująca (MP 251)
10. Perforowany arkusz ścierny (MP251)
11. Górny arkusz ścierny (MP 251)
12. Górna podkładka piankowa (MP 251)
13. Wielozadaniowa stopa szlifująca (MP 251)
14. Kwadratowy, perforowany arkusz ścierny (MP 251)
15. Górna podkładka piankowa (MP 251)
16. Górny arkusz ścierny (MP 251)

Obsługa

Niniejsze elektronarzędzia są zasilane wyłącznie jedno-fazowym prądem zmiennym. Są podwójnie izolowane zgodnie z normami EN 60745-1 i IEC 60745 i mogą być zasilane z uziemionych bądź nieziemionych źródeł. Tłumienie zakłóceń radiowych zgodnie z dyrektywą EMC 2004/108/EC.

Niniejsze urządzenie zostało zaprojektowane do szlifowania i polerowania płaskich i wypukłych powierzchni metalowych, plastikowych i drewnianych.

PRZED PIERWSZYM UŻYCIEM

- Upewnić się, że napięcie w sieci odpowiada napięciu podanemu na tabliczce znamionowej urządzenia.
- Zawsze sprawdzać położenie wyłącznika. Podłączać do zasilania tylko gdy wyłącznik jest zwolniony. W przeciwnym wypadku, po podłączeniu do zasilania, urządzenie włączy się co może być przyczyną poważnego wypadku.
- Upewnić się, czy przewód i wtyczka są w dobrym stanie. Jeśli konieczna jest wymiana przewodu, należy tego dokonać wyłącznie w autoryzowanym serwisie.



UWAGA: Przed szlifowaniem metalu, należy zawsze zdjąć worek na pył, iskry powstające podczas szlifowania mogą zapalić pył lub worek.



UWAGA: Przed każdą regulacją oraz wykonywaniem prac serwisowych i konserwacyjnych, a także po zaniku napięcia należy urządzenie wyłączyć i odłączyć od zasilania.

WŁĄCZANIE - WYŁĄCZANIE

Włączanie: Przesunąć suwak włącznika (1) na pozycję „I”.

Wyłączanie: Przesunąć suwak włącznika (1) na pozycję „O”.

MONTAŻ PAPIERU ŚCIERNEGO

MP 250

Używaj zwykłego papieru ściernego lub mocowanego na rzep.

Podczas używania zwykłego papieru ściernego:

Wyjąć wtyczkę z kontaktu. Oczyszczyć płytę szlifującą (4). Podczas montażu lub wymiany papieru ściernego, otworzyć klamry (5).

Umieścić końcówkę arkusza ściernego pod zaciskiem (5) i zamknąć zacisk. Dokładnie rozciągnąć arkusz ścierny (3) na płycie ścierniej, następnie zacisnąć drugi koniec arkusza drugą klamrą.

Aby uzyskać właściwy rozstaw otworów, wygodny montaż i optymalne dopasowanie płyty i otworów, należy wykorzystać prowadnicę (7).

Podczas używania papieru ściernego na rzep:

Wyciągnij wtyczkę z gniazdka. Oczyszcz płytę szlifującą (4). Docisnij papier ścierny (3) do płyty szlifującej (4).

Aby osiągnąć właściwe odsysanie pyłów, należy papier ścierny zamontować tak aby jego otwory zgrały się z otworami płyty. Aby zapewnić wygodny montaż i optymalne dopasowanie otworów płyty i papieru ściernego należy wykorzystać prowadnicę (7).

MP 251

Używać arkuszy papieru ściernego „na rzep”.

Wyciągnij wtyczkę z gniazdka. Dobrać podstawę szlifującą w zależności od rodzaju planowanej pracy. Aby wymienić podstawę szlifującą, należy odkręcić cztery śruby za pomocą śrubokręta, zamontować wybraną podstawę i ponownie dokręcić śruby. (Fig. 1a, fig. 1b)

Oczyszczyć płytę szlifującą. Jeśli to konieczne, przyłączyć górną podkładkę piankową nad górną częścią stopy szlifującej.

Aby osiągnąć właściwe odsysanie pyłów, należy papier ścierny zamontować tak aby jego otwory zgrały się z otworami płyty.

SZLIFOWANIE

Umieścić szlifierkę oscylacyjną poziomo na obrabianej powierzchni. Efektywność i jakość pracy zależy od zastosowanego nacisku, granulacji papieru ściernego i prędkości obrotowej.

Przesuwać urządzenie kolejno ruchami posuwistymi wzdłuż i w poprzek. Nie dociskać zbyt mocno urządzenia do obrabianej powierzchni. Ze wzrostem nacisku, wydajność nie wzrasta lecz maleje. Od czasu do czasu strzepywać pył z arkusza ściernego w celu usunięcia zebranego pyłu i zapobieżeniu „zabiciu” pyłem.

Zabrania się szlifowania drewna i metalu tym samym arkuszem ściernym.

MP 251

Wielozadaniowa stopa szlifująca zapewnia obróbkę powierzchni zarówno częścią tylną jak i w przypadku szlifowania trudnodostępnych miejsc, częścią przednią. Górna, przednia część stopy może zostać obłożona pa-

pierem ściernym do jednoczesnego szlifowania wąskich szczelin (np. żaluzji okiennych).

ODPROWADZANIE PYŁÓW

Wydajność i trwałość papieru ściernego zwiększa się dzięki odprowadzaniu pyłów poprzez otwory w płycie szlifierskiej oraz arkusza ściernym. Worek na pył (6) musi być regularnie opróżniany.

ZEWNĘTRZNY SYSTEM ODPROWADZANIA PYŁÓW

Adapter odprowadzania pyłów zapewnia przyłączenie urządzenia do odkurzacza w przypadku zwiększonej ilości generowanego pyłu.

AKCESORIA DOŁĄCZONE DO NINIEJSZEGO URZĄDZENIA

MP 250:

Papier ścierny P80 - 1 szt., adapter - 1 szt., worek na pył - 1 szt., prowadnica - 1 szt.

MP 251:

Podkładki piankowe - 4 typy
Górne arkusze ścierne - 2 typy x 3 szt.
Wymienne stopy szlifujące - 2 typy
Papier ścierny - 3 typy x 3 szt.
Adapter - 1 szt., worek na pył - 1 szt.

Konserwacja



UWAGA: Przed każdą regulacją oraz wykonaniem prac serwisowych i konserwacyjnych należy urządzenie wyłączyć i odłączyć od zasilania.

WYMIANA SZCZOTEK

W momencie zużycia szczotek węglowych urządzenia wyłącza się. W przypadku zużycia szczotek węglowych, obie szczotki muszą zostać wymienione jednocześnie w serwisie SPARKY.

KONTROLA OGÓLNA

Regularnie sprawdzać czy wszystkie śruby są odpowiednio dokręcone. W przypadku stwierdzenia poluzowania, należy natychmiast dokręcić poluzowane śruby w celu uniknięcia zagrożenia.

Jeśli konieczna jest wymiana przewodu, należy to wykonać w autoryzowanym serwisie producenta aby uniknąć zagrożenia.

CZYSZCZENIE

Dla zapewnienia bezpiecznej pracy, należy zawsze utrzymywać otwory wentylacyjne w czystości. Regularnie sprawdzać czy w otworach wentylacyjnych lub w przewodnicy włącznika nie gromadzi się pył lub obce elementy. Zebrany pył usuwać za pomocą miękkiej szczotki lub/i sprężonego powietrza. Podczas czyszczenia nosić okulary ochronne.

Zewnętrzne części plastikowe mogą być oczyszczane wilgotną szmatką z łagodnym detergentem jeśli to konieczne.



UWAGA: Nigdy nie używać alkoholu, benzyny ani innych środków czyszczących. Nigdy nie używać środków żrących do czyszczenia części plastikowych.



UWAGA: Woda nigdy nie może wejść w kontakt z urządzeniem.

WAŻNE! Aby zapewnić bezpieczeństwo i wydajność, naprawy, konserwacja oraz regulacja (łącznie z kontrolą i wymianą szczotek) muszą być przeprowadzane w autoryzowanych serwisach z zastosowaniem oryginalnych części zamiennych.

Gwarancja

Okres gwarancyjny urządzeń SPARKY jest podany w karcie gwarancyjnej. Naturalne zużycie oraz uszkodzenia powstałe w wyniku przeciążenia lub niewłaściwej obsługi nie podlegają gwarancji.

Uszkodzenia wynikłe z wady materiałowej lub błędów produkcyjnych zostaną usunięte bezpłatnie w drodze naprawy lub wymiany urządzenia.

Reklamacje uszkodzonych urządzeń SPARKY zostaną rozpatrzone jeśli zostaną dostarczone w stanie w jakim stwierdzono wadę, nie rozmontowane, do autoryzowanego serwisu lub punktu sprzedaży.

Informacja

Przeczytać uważnie całość niniejszej instrukcji obsługi przed użytkowaniem niniejszego sprzętu.

Narzędzia SPARKY są stale ulepszane w związku z tym otrzymany produkt może nieznacznie różnić się od tego ukazanego w niniejszej instrukcji. Producent zapewnia sobie prawo do wprowadzania zmian bez uprzedzenia. Specyfikacja może się różnić w zależności od kraju.

Содержание

Введение	54
Технические данные	56
Общие указания по безопасности при работе с электроинструментами	57
Дополнительные правила безопасности при работе с виброшлифовальной машиной	58
Ознакомление электроинструментом	A/59
Указания к работе	59
Обслуживание	61
Гарантия	61

РАСПАКОВКА

В соответствии с общепринятыми технологиями производства вероятность обнаружения неисправности новоприобретенного Вами электроинструмента или нехватки какой-нибудь из его частей весьма мала. Если все-таки Вы обнаружите любое несоответствие, просим не начинать использование электроинструмента перед заменой неисправной части или устранения дефекта. Невыполнение этой рекомендации может быть причиной серьезных несчастных случаев.

СБОРКА

MP 250, упакованная в коробке, поставляется в полностью собранном виде, за исключением адаптера и пылесборного мешка.

MP 251, упакованная в чемодане, поставляется в полностью собранном виде, за исключением адаптера и пылесборного мешка.

I - Введение

Новоприобретенный Вами электроинструмент SPARKY превзойдет Ваши ожидания. Он произведен в соответствии с высокими стандартами качества SPARKY, отвечающими строгим требованиям потребителя. Его легко обслуживать и он безопасен при эксплуатации, при правильном использовании этот электроинструмент будет служить Вам долгие годы.



ПРЕДОСТЕРЕЖЕНИЕ!

Прочтите внимательно и целиком инструкцию по эксплуатации перед использованием новоприобретенного электроинструмента SPARKY. Обратите специальное внимание на параграфы, обозначенным словом “Предостережение”. У Вашего электроинструмента SPARKY много качеств, которые облегчают работу. При разработке этого инструмента основное внимание было направлено на безопасность, эксплуатационные качества и надежность, которые облегчают его обслуживание и эксплуатацию.



Не выбрасывайте электроинструменты вместе с бытовыми отходами!

Отходы от электрических изделий не следует собирать вместе с бытовыми отходами. Пожалуйста, рециклируйте в местах, предназначенных для этого. Свяжитесь с местными властями или представителем для консультации касательно рециклирования.



ОХРАНА ОКРУЖАЮЩЕЙ СРЕДЫ

С учетом охраны окружающей среды электроинструмент, принадлежности и упаковка должны подвергнуться подходящей переработке для повторного использования содержащегося в них сырья. Для облегчения рециклирования деталей, произведенных из искусственных материалов, они обозначены соответствующим образом.

ОПИСАНИЕ СИМВОЛОВ

На табличке с данными электроинструмента нанесены специальные символы, содержащие важную информацию о продукте или инструкции по использованию.



Двойная изоляция для дополнительной защиты



Подсоединение к пылесосу



Соответствует релевантным европейским директивам



Соответствует требованиям российским нормативным документам



Соответствует требованиям украинским нормативным документам



Ознакомьтесь с инструкцией по эксплуатации

YYYY-Www

Период производства, где переменные символы означают:
YYYY - год производства, ww – очередная календарная неделя

MP

ВИБРОШЛИФОВАЛЬНАЯ МАШИНА

Технические данные

Модель	MP 250 • MP 251
• Потребляемая мощность	250 W
• Скорость вращения на холостом ходу	14000 min ⁻¹
• Эксцентриситет	1,5 mm
• Размеры шлифовальной пластины (MP 250)	108x112 mm
• Размеры шлифовальной пластины (MP 251)	108x112 mm 162x112 mm 196x112 mm
• Вес (EPTA процедура 01/2003)	1,55 kg
• Класс защиты (EN 60745-1)	II



ИНФОРМАЦИЯ О ШУМЕ И ВИБРАЦИЯХ

Значения замерялись в соответствии со стандартом EN 60745

• Излучение шума	
A-взвешенный уровень звукового давления L _{PA}	79 dB (A)
Неопределенность K _{PA}	3 dB (A)
A-взвешенный уровень звуковой мощности L _{WA}	90 dB (A)
Неопределенность K _{WA}	3 dB (A)



Используйте средства для защиты от шума!

• Излучение вибраций *

Суммарные значения вибраций (векторная сумма трех направлений) определенные в соответствии с EN 60745

• Шлифование	
Значение излученных вибраций a _v	6,3 m/s ²
Неопределенность K	1,5 m/s ²

* Уровень вибраций измерен в соответствии с т.6.2.7 N 60745-1.

Указанный в настоящую инструкцию уровень вибраций измерен в соответствии с установленную EN 60745 методику испытаний и может использоваться для сравнения электроинструментов. Уровень вибраций может использоваться для предварительной оценки воздействия.

Указанный уровень вибраций дан при условии использования инструмента по его прямому назначению. В тех случаях, когда электроинструмент используется для других целей, с другими принадлежностями, уровень вибраций может отличаться от указанного. В этих случаях уровень воздействия может значительно возрасти в рамках общего периода работы.

Для точной оценки воздействия вибраций во время определенного периода работы необходимо учитывать промежутки времени, в которые электроинструмент выключен, либо хотя и включен, но фактически не используется. Это может существенно сократить воздействия вибраций в течение всего периода работы.

Сохраняйте электроинструмент и его принадлежности в хорошем состоянии. Во время работы старайтесь сохранять руки теплыми - это поможет уменьшить вредное воздействие при работе с повышенной вибрацией.

Пыль материалов, как с краски с содержанием свинца, некоторых сортов древесины, минералов и металла может быть вредной для здоровья. Прикосновение к пыли и попадание пыли в дыхательные пути может вызвать аллергические реакции и/или заболевания дыхательных путей оператора или находящегося вблизи персонала.

Определенные виды пыли, как из дуба и бука, считаются канцерогенными, особенно, совместно с присадками для обработки древесины (хромат, средство для защиты древесины). Материал с содержанием асбеста разрешается обрабатывать только специалистам.

- По возможности применяйте отсос пыли.
- Для достижения максимально высокой эффективности сбора пыли при работе с данным электроинструментом, используйте пылесос, предназначенный для сбора пыли из древесины или для пыли из древесины и/или минеральной пыли.
- Следите за хорошей вентиляцией.
- Рекомендуется пользоваться дыхательной защитной маской с фильтром класса P2.

Соблюдайте действующие в Вашей стране предписания для обрабатываемых материалов.

Общие указания по безопасности при работе с электроинструментами



ПРЕДОСТЕРЕЖЕНИЕ! Прочитайте все предупреждения и указания по безопасности. Несоблюдение предупреждений и указаний по безопасности может привести к поражению электрическим током, от пожара и/или серьезные ранения.

Сохраните все предупреждения и указания для дальнейшего использования.

Термин “электроинструмент” во всех указанных ниже предупреждениях касается вашего электроинструмента, с питанием от сети (с кабелем) и/или электроинструмент с питанием от аккумуляторной батареи (без кабеля).

1. БЕЗОПАСНОСТЬ РАБОЧЕГО МЕСТА

- a) Содержите рабочее место в чистоте и хорошо освещенным. Беспорядок и недостаточное освещение являются предпосылками трудовых инцидентов.
- b) Не работайте с электроинструментами во взрывоопасной атмосфере при наличии воспламеняющихся жидкостей, газов или пыли. Электроинструменты создают искры, которые могут воспалить пыль или пары.
- c) Держите детей и посторонних лиц на расстоянии, когда работаете с электроинструментом. Рассеивание может привести к потере контроля с Вашей стороны.

2. ЭЛЕКТРИЧЕСКАЯ БЕЗОПАСНОСТЬ

- a) Штепселя электроинструментов должны соответствовать контактным гнездам. Никогда не меняйте штепсель каким-либо способом. Не используйте какие-либо адаптерные штепселя для электроинструментов с защитным заземлением. Использование оригинальных штепселей и соответствующим им контактов уменьшает риск от удара электрическим током.
- b) Избегайте соприкосновения тела с землей или с заземленными поверхностями, такими как трубы, радиаторы, кухонные плиты и холодильники. Если ваше тело заземлено, существует повышенный риск поражения электрическим током.
- c) Не оставляйте электроинструменты под дождем или во влажной среде. Проникновение воды в электроинструменты повышает риск от поражения электрическим током.
- d) Используйте кабель по назначению. Никогда не используйте кабель для переноса электроинструмента, натягивания или отключения штепселя из контактного

гнезда. Держите кабель далеко от тепла, масла, острых углов или движущихся частей. Поврежденные или запутанные кабели повышают риск от поражений электрическим током.

- e) Во время наружной работы с электроинструментом используйте удлинитель, подходящий для этих целей. Использование удлинителя, предназначенного для внешних /наружных/ работ, уменьшает опасность от поражения электрическим током.
- f) В случае, если работа с электроинструментом во влажной среде неизбежна, используйте предохранительное устройство, которое задействовано от остаточного тока для прерывания подачи тока. Использование предохранительного устройства уменьшает риск от поражения электрическим током.

3. ЛИЧНАЯ БЕЗОПАСНОСТЬ

- a) Будьте внимательны, работайте с повышенным вниманием и проявляйте благоразумие, когда работаете с электроинструментом. Не используйте электроинструмент, когда вы устали или находитесь под влиянием наркотиков, алкоголя или медикаментов. Момент невнимания при работе с электроинструментом может привести к серьезной производственной травме.
- b) Используйте индивидуальные средства защиты. Носите всегда защитные очки. Индивидуальные средства защиты, такие как маска против пыли, нескользкая обувь, защитный шлем или средства для защиты слуха, используемые в конкретных условиях, снижают риск от производственных травм.
- c) Избегайте невольного пуска инструмента. Убедитесь, что выключатель находится в положении „выключено” перед включением к источнику питания и/или аккумуляторной батарее перед тем, как его возьмете в руки или переносите. Ношение электроинструмента с пальцем на выключателе или подключение к источнику питания электроинструмента с выключателем во включенном положении является предпосылкой для производственной травмы.
- d) Удаляйте каждый ключ для затягивания или гаечный ключ перед включением электроинструмента. Ключ для затягивания или гаечный ключ, прикрепленный к вращающейся части электроинструмента, может привести к трудовому инциденту.
- e) Не перетягивайтесь. Поддерживайте правильное положение и равновесие в течение всей работы. Это позволит лучше управлять электроинструментом при неожиданных ситуациях.
- f) Носите подходящую рабочую одежду. Не носите широкую одежду или украшения. Держите свои волосы, одежду и перчатки далеко от движущихся частей. Широкая оде-

жда, бижутерия или длинные волосы могут попасть в движущиеся части.

- g) Если электроинструмент снабжен приспособлением для пыли, убедитесь, что они правильно установлены и правильно используются. *Использование этих устройств может понизить связанные с пылью опасности.*

4. ЭКСПЛУАТАЦИЯ И УХОД ЗА ЭЛЕКТРОИНСТРУМЕНТАМИ

- a) Не перегружайте электроинструмент. Используйте правильно выбранный электроинструмент согласно его назначению. *Правильно подобранный электроинструмент работает лучше и безопаснее для объявленного режима работы, для которого он спроектирован.*
- b) Не используйте электроинструмент в случае, если выключатель не переключается во включенное и исключенное положение. *Каждый электроинструмент, который не может управляться с помощью его выключателя, опасен и подлежит ремонту.*
- c) Отключите штепсель от электросети перед тем, как начать любые настройки, перед заменой принадлежностей или перед тем, как убрать электроинструмент для хранения. *Эти меры предосторожности снижают риск невольного пуска электроинструмента.*
- d) Сохраняйте неиспользованные электроинструменты в местах, недоступных для детей и не позволяйте обслуживающему персоналу, который не знаком с электроинструментом или инструкциями по эксплуатации, работать с ним. *Электроинструменты являются опасными в руках необученных потребителей.*
- e) Проверяйте электроинструменты. Проверяйте, работают ли нормально и движутся ли свободно движущиеся части, находятся ли в целостности и исправности части, а также проверяйте все прочие обстоятельства, которые могут неблагоприятно повлиять на работу электроинструмента. Если он поврежден, электроинструмент необходимо отремонтировать перед его дальнейшим использованием. *Много инцидентов причиняются от плохо обслуженных электроинструментов.*
- f) Поддерживайте режущие инструменты острыми и чистыми. *Правильно поддерживаемые режущие инструменты с острыми режущими углами реже блокируются и проще управляются.*
- g) Используйте электроинструмент, принадлежности и части инструмента и т.д. в соответствии с этими инструкциями и способом, предусмотренным для конкретного типа электроинструмента, имея в виду рабочие условия и работу, которую необходимо выполнять. *Использование электроинструмента для работы не по назначению может привести к опасной ситуации.*

5. ОБСЛУЖИВАНИЕ

- a) Ремонтируйте ваш электроинструмент у квалифицированного специалиста по ремонту, при этом используйте только оригинальные запасные части. *Это обеспечивает сохранение безопасности электроинструмента.*

Дополнительные указания по безопасности при работе с виброшлифовальной машиной



Пользуйтесь средствами защиты слуха при продолжительной работе. *Воздействие шума может привести к потере слуха.*



Во время работы используйте средства защиты зрения, чтобы предохраниться от выделяющихся частиц. *Пользуйтесь защитными очками.*



Берите предохранительные меры против вдоха пыли. Некоторые материалы могут содержать токсические составки. *Пользуйтесь пылезащитной маской и устройством пылеотвода.*

- Не обрабатывайте материалы содержащих асбеста. Асбест считается канцерогенным веществом.
- Рекомендуется использование защитных рукавиц.



ПРЕДОСТЕРЕЖЕНИЕ: Прежде чем связать электроинструмент к сети питания, убедитесь, что питающее напряжение отвечает на указанном на табличке техническими данными электроинструмента.

- Если источник питания напряжением выше указанного для электроинструмента, то он может вызвать серьезное поражение электрическим током на оператора и повреждение электроинструмента.
- Если вы не уверены, не ставьте штепсель электроинструмента в розетке сети.
- Если источник питания напряжением ниже указанного на табличке электроинструмента, то он может привести к повреждению электродвигателя.
- Чтобы предотвратить eventualного перегрева, всегда развивайте кабель с удлинителем с кабельным барабаном до конца.
- Когда необходимо использовать удлинителя, то убедитесь, что его сечение отвечает номинальному току использованного электроинструмента, а также и в исправности удлинителя.



ПРЕДОСТЕРЕЖЕНИЕ: Перед выполнением каких-либо работ по настройке, ремонту и обслуживанию, а также при отпадании напряжения питания обязательно выключить электроинструмент и вынуть штепсель из розетки.

- Используйте машину только для сухого шлифования.
- Обрабатываемая деталь должна быть зафиксирована в тисках или другим подходящим способом.
- Используйте листы с липучим соединением с предписанными размерами.
- Не используйте шлифовальный лист после обработки металла для обработки других материалов.
- Не включайте машину под нагрузкой и не оставляйте ее без наблюдения до полного останова вращения.
- Не перегружать машину - работать при умеренном нажатии. Перегрузка в результате приложения чрезмерного нажатия может привести к падению оборотов двигателя, что в свою очередь приводит к ухудшению эффективности работы и опасности повреждения двигателя машины.
- Рабочее место следует поддерживать в полной чистоте. Смешивание пыли разных материалов особо опасно. Пыль легких металлов может воспламениться или взорваться.
- При шлифовании поверхностей, содержащих свинец, кварц (двуокись силиция) и др. могут выделяться вредные токсичные газы и пыль, которые при контакте или вдыхании могут становиться опасностью для здоровья оператора или наблюдателей.
- Кабель питания должен находиться всегда вне рабочей зоны машины.
- Не использовать электроинструменты с поврежденным кабелем. Не касаться поврежденного кабеля. Вынуть немедленно штепсель из розетки, если повреждение кабеля наступило во время работы. Неисправность кабеля грозит токовым поражением.
- Электроинструмент использовать только по назначению. Любое другое приложение, отличающееся от указанного в настоящей инструкции, будет считаться неправильным использованием. Производитель не несет никакой ответственности за ущерб и травмы, являющиеся следствием неправильного использования.
- Для обеспечения правильной эксплуатации электроинструмента следует соблюдать правила безопасности, общие инструкции и указания по работе, перечисленные здесь. Все потребители должны быть ознакомлены с настоящей инструкцией эксплуатации и предупреждены о потенциальных рисках, связанных с работой инструмента. Нельзя допускать дети и физические слабые особы к работе с электроинструментом. Дети, находящиеся в близости рабочей зоны машины, должны быть под непрерывным наблюдением. Принятие предупредительных мер безопасности

обязательно. То же самое обязательно и касательно соблюдения основных правил профессиональной охраны здоровья и безопасности.

- Производитель не несет никакой ответственности за внесенные потребителем изменения и модификации машины, а также за повреждение и ущербы в результате таких изменений.
- Машину не следует использовать под открытым небом при дождливой погоде, во влажной среде (после дождя) или в близости легко воспламеняемых жидкостей и газов. Рабочее место должно быть хорошо освещено.

Ознакомление электроинструментом

До того, как приступить к работе с электроинструментом, познакомьтесь со всеми оперативными особенностями и условиями безопасности. Используйте электроинструмент и его принадлежность только по назначению. Всякое другое применение абсолютно запрещено.

1. Кнопка выключателя
2. Индикатор питания
3. Абразивный лист (MP 250)
4. Шлифовальная плита (MP 250)
5. Скоба (MP 250)
6. Пылесборный мешок
7. Направляющее приспособление - шаблон (MP 250)
8. Адаптер для пылеотсоса
9. Комбинированная шлифовальная плита (MP 251)
10. Перфорированный шлифовальный абразивный лист (MP 251)
11. Верхний шлифовальный абразивный лист (MP 251)
12. Верхняя подставка из пенопласта (MP 251)
13. Комбинированная шлифовальная плита (MP 251)
14. Прямоугольный перфорированный шлифовальный лист (MP 251)
15. Верхняя подставка из пенопласта (MP 251)
16. Верхний шлифовальный абразивный лист (MP 251)

Указания к работе

Этот электроинструмент питается только однофазным переменным напряжением. Его можно включать в розетку питания без защитных клемм, так как у него двойная изоляция, согласно EN 60745-1 и IEC 60745. Радиопомехи соответствуют Директиве Европейского парламента и Совета 2004/108/ЕС относительно электромагнитной совместимости. Этот электроинструмент предназначен для шлифования и полирования ровных и выпуклых поверхностей из металлов, древесины, пластмасс.

ПЕРЕД НАЧАЛОМ РАБОТЫ

- Проверьте соответствие напряжения электрической сети питания на указанном на табличке технических данных электроинструмента.
- Проверьте в какой позиции находится выключатель сети. Электроинструмент должен присоединяться и отделяться от сети питания только в отключенном положении выключателя сети. Если поставите штепсель в розетке питания пока выключатель находится в позиции "включено", то привод может задействоваться и это приведет к несчастному случаю.
- Убедитесь в исправности кабеля питания и штепселя. В случае обнаружения повреждения кабеля, его замена должна быть выполнена производителем или специалистом фирменного сервиса во избежание риска его замены.



ПРЕДОСТЕРЕЖЕНИЕ: Перед использованием электроинструмента для обработки металла обязательно уберите пылесборного мешка во избежание воспламенения от искры.



ПРЕДОСТЕРЕЖЕНИЕ: Всегда отключайте электроинструмент и вынимайте штепсель из розетки перед тем, как приступить к любой настройке, обслуживанию или поддержанию, а также в случае отсутствия электрического напряжения.

ПУСК - ОСТАНОВКА

Пуск: Поставьте выключатель (1) в положение «I».
Останов: Поставьте выключатель (1) в положение «O».

МОНТАЖ АБРАЗИВНОГО ЛИСТА (ШКУРКИ)

MP 250

Возможно использование обычных шлифовальных листов или листов с липучим соединением.

При использовании обычных абразивных листов: Отключите машину от сети питания. Почистьте шлифовальную плиту (4). При закреплении или смене абразивного листа открываются скобы (5). Один край листа положить под открытую скобу (5) и закрепить.

Абразивный лист (3) следует тщательно расправить на шлифовальной плите, после чего другой край листа закрепить второй скобой.

Используйте направляющее приспособление-шаблон (7) для определения места перфорации отверстий, для удобства при монтаже и для оптимального совпадения отверстий на абразивном листе и шлифовальной плите.

Отверстия шлифовальной плиты и абразивного листа должны совпадать для эффективного пылеотсоса.

При использовании листов с липучим соединением: Отключите машину от сети питания. Почистьте шли-

фовальную плиту (4). Нажмите шлифовального листа (3) к шлифовальной плите (4).

Отверстия шлифовальной плиты и абразивного листа должны совпадать для эффективного пылеотсоса. Для удобства монтажа и для обеспечения оптимальной соосности отверстий используйте направляющее приспособление-шаблон (7).

MP 251

Применяйте шлифовальные листы с липучим соединением. Отключите машину от сети питания. В соответствии с видом предстоящей работы выберите одну из шлифовальных подставок. Для смены шлифовальных подставок с помощью крестовой отвертки развинтите четыре винта, поставьте другую подставку и завейте винты. (Фиг. 1а, фиг. 1б)

Почистьте шлифовальную плиту.

При необходимости поставьте на верхнюю часть шлифовальной подставки подставку из пенопласта. Прижмите перфорированный абразивный лист к плите.

Отверстия шлифовальной плиты и абразивного листа должны совпадать для эффективного пылеотсоса.

ШЛИФОВАНИЕ

Машина устанавливается полной ее поверхностью на обрабатываемую деталь.

Шлифовальная машина должна передвигаться параллельно шлифуемой поверхности, при этом периодически чередуется продольное и поперечное направления.

Машину не прижимать сильно к шлифуемой поверхности. С усилием нажима производительность при шлифовании не растет, а падает.

Периодически стряхивая, освобождать шлифовальный лист от пыли.

Не допускается шлифование древесины и металла одним и тем же листом.

MP 251

Комбинированная плита дает возможность для шлифования поверхности, как задней частью плиты, так и в труднодоступных местах передней частью плиты. Передняя часть плиты может быть покрыта шкуркой сверху, для использования одновременного шлифования узких прорезов (например на деревянных ставнях окон).

ПЫЛЕОТСОС

Пылеотсос через отверстия в абразивном листе и в пластине повышает производительность и увеличивает срок жизни абразивного листа. Пылесборник (6) следует постепенно освобождать от собравшейся в нём пыли.

ВНЕШНИЙ ПЫЛЕОТСОС

Предусмотрена возможность присоединение к пылесосу. При повышенном пылеотделении рекомендуется снять мешок (6) и машину подсоединить к пылесосу.

ОСНАСТКА К ЭЛЕКТРОИНСТРУМЕНТУ

MP 250:

Абразивный лист P80 - 1 шт., адаптер для пылеотсоса - 1 шт., пылесборный мешок - 1 шт., направляющее приспособление-шаблон - 1 шт.

MP 251:

Подставка из пенопласта – 4 вида
Верхний шлифовальный лист - 2 вида х 3шт.
Комбинированная (нижняя) шлифовальная подставка - 2 вида
Абразивный лист - 3 вида х 3 шт.
Адаптер для пылеотсоса - 1 шт.
Пылесборный мешок - 1 шт.

Обслуживание



ПРЕДОСТЕРЕЖЕНИЕ: Всегда выключайте электроинструмент и вытаскивайте штепсель из розетки перед каждой проверкой или осуществлением ухода.

ЗАМЕНА ЩЕТОК

Когда щетки изнашиваются, машина выключается автоматически. В таком случае обе щетки должны быть заменены одновременно оригинальными щетками в сервисе SPARKY по гарантийному и внегарантийному обслуживанию.

ОБЩАЯ ПРОВЕРКА

Проверяйте регулярно все элементы крепления и убедитесь в том, что они крепко затянуты. В том случае, если какой-либо винт ослаблен, незамедлительно затяните его во избежание ситуаций, связанных с риском.

Если кабель питания поврежден, замена должна быть осуществлена производителем или его сервисным специалистом во избежание опасностей, связанных с заменой.

УБОРКА

Для безопасной работы всегда содержите машину и вентиляционные отверстия в чистоте

Регулярно проверяйте, не проникли ли в вентиляционные отверстия электродвигателя или около переключателей пыль или инородные тела. Используйте мягкую щетку и/или струю сжатого воздуха, чтобы устранить накопившуюся пыль. Для защиты глаз во время уборки носите защитные очки.

Если корпус машины нужно почистить, протрите его мягкой влажной тряпкой. Можно использовать слабый препарат для мытья.



ПРЕДОСТЕРЕЖЕНИЕ: Не допускается контакт воды с машиной.



ПРЕДОСТЕРЕЖЕНИЕ: Не допускайте использование спирта, бензина или других растворителей. Никогда не используйте разъедающие препараты для чистки пластмассовых частей.

ВАЖНО! Чтобы обеспечить безопасную работу электроинструментом и его надежность, все действия по ремонту, обслуживанию и регулированию (включительно проверку и замену щеток) следует осуществлять в специализированных сервисах SPARKY с использованием только оригинальных резервных частей.

Гарантия

Гарантийный срок электроинструментов SPARKY указан в гарантийной карте.

Неисправности, появившиеся в результате естественного изнашивания, перегрузки или неправильной эксплуатации, не входят в гарантийные обязательства.

Неисправности, появившиеся вследствие применения некачественных материалов и/или из-за производственных ошибок, устраняются без дополнительной оплаты путем замены или ремонта.

Рекламации дефектного электроинструмента SPARKY принимаются в том случае, если машина будет возвращена поставщику, или специализированному гарантийному сервису в не разобранном (первоначальном) состоянии.

Замечания

Внимательно прочтите всю инструкцию по эксплуатации перед тем, как приступить к использованию этого изделия.

Производитель сохраняет за собой право вносить в свои изделия улучшения и изменения, а также изменять спецификации без предупреждения.

Спецификации для разных стран могут различаться.

Зміст

Введення	62
Технічні характеристики	64
Загальні вказівки з безпеки під час роботи з електроінструментами	65
Додаткові правила безпеки під час роботи з віброшліфувальною машиною	66
Ознайомлення з електроінструментом	A/67
Вказівки щодо роботи	67
Обслуговування	69
Гарантія	69

РОЗПАКОВКА

Електроінструмент поставляється укомплектованим, у справному вигляді. У разі виявлення невідповідностей не рекомендуємо використовувати інструмент до тих пір, поки виявлений дефект не буде усунуто. Невиконання цієї рекомендації може стати причиною травми.

ЗБИРАННЯ

MP 250 поставляється упакованою в коробку, у повністю зібраному вигляді, за винятком адаптера та мішка для збирання пилу.

MP 251 поставляється упакованою в чемодан, у повністю зібраному вигляді, за винятком адаптера та мішка для збирання пилу.

Введення

Придбаний Вами електроінструмент SPARKY перевершить Ваші очікування. Він зроблений у відповідності до високих стандартів якості SPARKY, що відповідають суворим вимогам споживача. Його легко обслуговувати і він безпечний при експлуатації, при правильному використанні цей електроінструмент буде служити Вам довгі роки.



ЗАСТЕРЕЖЕННЯ!

Прочитайте уважно і цілком інструкцію з експлуатації, перед використанням новопридбаного електроінструменту SPARKY. Зверніть спеціальну увагу на параграфи, позначених словом "**Застереження**". У Вашого електроінструменту SPARKY багато якостей, які полегшують роботу. При розробці цього інструменту основну увагу було направлено на безпеку, експлуатаційні якості і надійність, які полегшують його обслуговування і експлуатацію.



Не викидайте електроінструменти разом з побутовими відходами!

Відходи від електричних виробів не варто збирати разом з побутовими відходами. Будь ласка, викидайте в місцях, призначених для цього. Зв'яжіться з місцевою владою або представником для консультації щодо повторної переробки.



ОХОРОНА НАВКОЛИШНЬОГО СЕРЕДОВИЩА

З урахуванням охорони навколишнього середовища електроінструмент, приналежності й упаковка повинні надати відповідній переробці для повторного використання сировини, що міститься в них. Для полегшення повторної переробки деталей, зроблених з штучних матеріалів, вони позначені відповідним чином.

ОПИС СИМВОЛІВ

На таблиці з даними електроінструменту нанесені спеціальні символи. Вони являють собою важливу інформацію про використання інструмента і його характеристики.



Подвійна ізоляція для додаткового захисту



Можливість підключення до пиლოსоса



Відповідає чинним європейським директивам



Відповідність вимогам російських нормативних документів



Відповідність вимогам українських нормативних документів



Ознайомтеся з інструкцією з експлуатації

YYYY-Www

Термін виробництва, де змінними символами є:
YYYY - рік випуску, ww – черговий календарний тиждень

MP

ВІБРОШЛІФУВАЛЬНА МАШИНА

Технічні характеристики

Модель	MP 250 • MP 251
• Споживна потужність	250 W
• Швидкість обертання на неробочому ходу	14000 min ⁻¹
• ЕКСЦЕНТРИСИТЕТ	1,5 mm
• Розміри шліфувальної пластини (MP 250)	108x112 mm
• Розміри шліфувальної пластини (MP 251)	108x112 mm 162x112 mm 196x112 mm
• Вага (процедура EPTA 01/2003)	1,55 kg
• Клас захисту (EN 60745-1) 	II

ІНФОРМАЦІЯ ПРО ШУМ І ВІБРАЦІЇ (Значення замірялися згідно з EN 60745.)

• Випромінювання шуму

A-зважений рівень звукового тиску L _{pA}	79 dB (A)
Невизначеність K _{pA}	3 dB (A)
A-зважений рівень звукової потужності L _{WA}	90 dB (A)
Невизначеність K _{WA}	3 dB (A)



Використовуйте засоби для захисту від шуму!

• Генерування вібрацій*

Загальний рівень вібрацій (векторна сума по трьох осях) згідно EN 60745

• Шліфування	
Величина вібрацій a _n	6,3 m/s ²
Невизначеність K	1,5 m/s ²

* Рівень вібрацій виміряний згідно з п.6.2.7 N 60745-1.

* Вказаний в інструкції рівень вібрацій виміряний відповідно до встановлених EN 60745 методик випробувань, і може використовуватися для порівняння електроінструментів. Рівень вібрацій може використовуватися для попередньої оцінки впливу.

Зазначений рівень вібрацій надано за умови використання інструменту за його прямим призначенням. У тих випадках, коли електроінструмент використовується для інших цілей, з іншими речами, рівень вібрацій може відрізнятись від зазначеного. У цих випадках рівень впливу може значно зрости в рамках загального періоду роботи.

Для точної оцінки впливу вібрацій, під час певного періоду роботи необхідно враховувати проміжки часу, в які електроінструмент вимкнено, або хоча і включений, але фактично не використовується. Це може істотно скоротити вплив вібрацій протягом всього періоду роботи.

Зберігайте електроінструмент і його речі в гарному стані. Під час роботи намагайтеся зберігати руки теплими - це допоможе зменшити шкідливий вплив при роботі з підвищеною вібрацією.

Пил матеріалів, наприклад - фарби з вмістом свинцю, деяких сортів деревини, мінералів і металу може бути шкідливим для здоров'я. Дотик до пилу і потрапляння пилу в дихальні шляхи може викликати алергічні реакції та / або захворювання дихальних шляхів оператора або персоналу, що знаходиться поблизу.

Певні види пилу, наприклад, з дуба та бука, вважаються канцерогенними, особливо, спільно з присадками для обробки деревини (хромат, засіб для захисту деревини, тощо). Матеріал з вмістом азбесту дозволяється обробляти тільки фахівцям.

- По можливості застосовуйте відсмоктування пилу.
- Для досягнення максимально високої ефективності збирання пилу при роботі з даним приладом, використовуйте пилосос, призначений для збору пилу з деревини або для пилу з деревини та / або мінерального пилу.
- Слідкуйте за хорошою вентиляцією.
- Рекомендується користуватися дихальною захисною маскою з фільтром класу P2.

Дотримуйтесь розпорядження щодо оброблюваних матеріалів, що діють у Вашій країні.

Загальні вказівки з безпеки при роботі з електроприладами



ЗАСТЕРЕЖЕННЯ! Прочитайте всі **ЗАСТЕРЕЖЕННЯ** і вказівки з безпеки. Недодержання попереджень і вказівок з безпеки може призвести до ураження електричним струмом, пожежі та / або важкого поранення. Збережіть всі **ЗАСТЕРЕЖЕННЯ** та вказівки для подальшого використання.

Термін "електроприлад" у всіх зазначених нижче **ЗАСТЕРЕЖЕННЯХ** стосується вашого електроприладу, з живленням від мережі (з кабелем), та / або електроприладу з живленням від акумуляторної батареї (без кабелю).

1. БЕЗПЕКА РОБОЧОГО МІСЦЯ

- Утримайте робоче місце в чистоті і добре освітленим. Безлад і недостатнє освітлення є передумовою виникнення трудових інцидентів.
- Не працюйте з електроприладами у вибухонебезпечній атмосфері при наявності займих рідин, газів або пилу. Електроприлади створюють іскри, що можуть займати пил або пари.
- Тримайте дітей та сторонніх осіб на відстані, коли працюєте з електроприладом. Розсіювання уваги може призвести до втрати контролю з Вашого боку.

2. ЕЛЕКТРИЧНА БЕЗПЕКА

- Штепселі електроприладів повинні відповідати контактним гніздам. Ніколи не змінюйте штепсель у будь-який спосіб. Не використовуйте будь-які адаптерні штепселі для електроприладів із захисним заземленням. Використання оригінальних штепселів і відповідних їм контактів зменшує ризик удару електричним струмом.
- Уникайте дотику тіла з землею або заземленими поверхнями, такими як труби, радіатори, кухонні плити та холодильники. Якщо ваше тіло заземлене, існує підвищений ризик ураження електричним струмом.
- Не залишайте електроприлади під дощем або у вологому середовищі. Проникнення води в електроприлад підвищує ризик ураження електричним струмом.
- Використовуйте кабель за призначенням. Ніколи не використовуйте кабель для перенесення електроприладу, натягування або відключення штепселя з контактного гнізда. Тримайте кабель далеко від тепла, олії, гострих кутів, що рухаються. Пошкоджені або заплутані кабелі підвищують ризик поразок електричним струмом.

- Під час зовнішніх робіт використовуйте подовжувач, що підходить для цих цілей. Використання подовжувача, призначеного для зовнішніх робіт, зменшує небезпеку від ураження електричним струмом.
- У випадку, якщо робота з електроприладом у вологому середовищі неминуча, використовуйте запобіжний пристрій, який робить на залишковому струмі для переривання подачі струму. Використання запобіжного пристрою зменшує ризик ураження електричним струмом.

3. ОСОБИСТА БЕЗПЕКА

- Будьте пильні, працюйте з підвищеною увагою і проявляйте розсудливість, коли працюєте з електроприладом. Не використовуйте електроприлад, коли ви стомлені, або під впливом наркотиків, алкоголю, медикаментів, тощо. Одна мить неуваги при роботі з електроприладом може призвести до серйозної виробничої травми.
- Використовуйте індивідуальні засоби захисту. Носіть завжди захисні окуляри. Індивідуальні засоби захисту, такі як маска проти пилу, неслизьке взуття, захисний шолом або засоби для захисту слуху, що використовуються в конкретних умовах, знижують ризик виникнення виробничих травм.
- Уникайте мимовільного пуску інструменту. Переконайтеся, що вимикач знаходиться в положенні "вимкнено" перед включенням в джерело живлення та / або акумуляторної батареї, перед тим, візьмете в руки або переносите. Носіння електроприладу з пальцем на вимикачі або підключення до джерела живлення електроінструменту з вимикачем у включеному положенні є передумовою для виробничої травми.
- Видаліть кожен гайковий ключ перед включенням електроприладу. Ключ для затягування або гайковий ключ, прикріплений до частини електроприладу, що обертається, може призвести до трудового інциденту.
- Не простягайтесь занадто. Підтримуйте правильне положення і рівновагу протягом всієї роботи. Це дозволить краще керувати електроприладом у несподіваних ситуаціях.
- Носіть придатний одяг. Не носіть широкий одяг або прикраси. Тримайте своє волосся, одяг і рукавички далеко від рухомих частин. Широкий одяг, біжутерія та довге волосся можуть потрапити в рухомі частини.
- Якщо електроприлад має пристосування для пилу, переконайтеся, що воно правильно встановлено і правильно використовується. Використання цих пристроїв може знизити пов'язані з пилом небезпеки.

4. ЕКСПЛУАТАЦІЯ І ДОГЛЯД ЗА ЕЛЕКТРОПРИЛАДАМИ

- Не перевантажуйте електроприлад. Використовуйте правильно вибраний електро-

прилад згідно з його призначенням. Правильно підібраний електроприлад працює краще і безпечніше для оголошеного режиму роботи, для якого він спроектований.

- b) Не використовуйте електроприлад у випадку, якщо вимикач не переходить у включену і виключену позицію. Кожен електроприлад, який не може управлятися за допомогою вимикача, є небезпечним і підлягає ремонту.
- c) Вимкніть штепсель від електромережі перед тим, як почати будь-які налаштування, перед заміною приладдя або перед тим, як прибрати електроприлад для зберігання. Ці запобіжні заходи знижують ризик мимовільного пуску електроприладу.
- d) Зберігайте невикористані електроприлади в місцях, недоступних для дітей, і не дозволяйте користуватися ним обслуговуючому персоналу, який не знайомий з електроприладом або інструкціями з експлуатації. Електроприлади є небезпечними в руках ненавчених споживачів.
- e) Перевіряйте електроприлади. Перевіряйте, чи працюють нормально і рухаються вільно рухомі частини, чи знаходяться в цілості і справності усі частини, а також перевіряйте всі інші обставини, які можуть негативно вплинути на роботу електроприладу. У разі ушкоджень електроприлад необхідно відремонтувати перед його подальшим використанням. Багато інцидентів заподіюються у випадку поганого обслуговування електроприладів.
- f) Підтримуйте ріжучі інструменти гострими і чистими. Правильно підтримані ріжучі інструменти з гострими кутами рідше блокуються і простіше управляються.
- g) Використовуйте електроприлад, приналежності (комплектуючі) і частини інструменту і т.д. відповідно до цих інструкцій та у засіб, передбачений для конкретного типу електроприладу, маючи на увазі робочі умови і роботу, яку необхідно виконувати. Використання електроприладу для роботи не за призначенням може призвести до небезпечної ситуації.

5. ТЕХНІЧНЕ ОБСЛУГОВУВАННЯ

- a) Ремонтуйте ваш електроприлад у кваліфікованого фахівця з ремонту, при цьому використовуйте тільки оригінальні запасні частини. Це забезпечує безпеку електроприладу.

Додаткові правила безпеки під час роботи з віброшліфувальною машиною



Користуйтеся засобами захисту слуху під час тривалої роботи. Вплив шуму може призвести до втрати слуху.



Під час роботи, для того, щоб вберегтися від частинок, що виділяються, використовуйте засоби захисту зору. Користуйтеся захисними окулярами.



Вживайте запобіжних заходів, які перешкоджатимуть вдиханню пилу. Деякі матеріали можуть містити токсичні компоненти. Користуйтеся маскою для захисту від пилу та пристроєм для виведення пилу.

- Не обробляйте матеріали, що містять азбест. Азбест вважається канцерогенною речовиною.
- Рекомендується використовувати захисні рукавиці.



ЗАСТЕРЕЖЕННЯ: Перш ніж приєднати електроінструмент до мережі живлення, переконайтеся, що напруга живлення відповідає зазначеним на таблиці технічним даним електроінструменту.

- Якщо напруга джерела живлення більша за зазначену, це може призвести до серйозних уражень електричним струмом оператора, а також до пошкодження електроінструменту.
- Якщо ви не впевнені в тому, яка напруга в мережі, не вставляйте штепсель електроінструменту у розетку.
- Якщо напруга джерела живлення менша за зазначену на таблиці електроінструменту, це може призвести до пошкодження електродвигуна.
- Для того, щоб уникнути перегріву інструменту, завжди повністю розкручуйте кабель подовжувача, що його намотано на кабельний барабан.
- У разі необхідності використання подовжувача, переконайтеся, що його переріз відповідає номінальному струму живлення електроінструменту, що використовується, а також у справності подовжувача.



ЗАСТЕРЕЖЕННЯ: Перед виконанням будь-яких робіт із налаштування, ремонту та обслуговування, а також у випадку відключення напруги живлення слід обов'язково вимкнути електроінструмент і вийняти штепсель із розетки.

- Цей інструмент слід використовувати тільки для сухого шліфування.
- Оброблювана деталь повинна бути закріплена у лещатах або у інший відповідний спосіб.
- Використовуйте шліфувальні листи з «липким»

з'єднанням, які мають пропонувані розміри.

- Не використовуйте листи, які вже були задіяні для обробки металу, для обробки інших матеріалів.
- Не включайте машину, якщо її навантажено; не залишайте інструмент без нагляду до повного зупинення обертання.
- Не перевантажуйте інструмент - працювати слід за умови помірного натискання. Перевантаження внаслідок надмірного натискання може призвести до зменшення частоти оборотів двигуна, що, у свою чергу, призведе до погіршення ефективності роботи та виникнення ризику пошкодження двигуна.
- Робоче місце слід підтримувати у повній чистоті. Змішування пилу від різних матеріалів особливо небезпечно. Пил легких металів може зайнятися або вибухнути.
- Під час шліфування поверхонь, що містять сполуки плумбуму, кварц (оксид силіція (IV)) тощо можуть виділятися шкідливі токсичні гази або пил, які за умови контакту зі шкірою чи вдихання становлять небезпеку для здоров'я оператора або сторонніх осіб.
- Кабель живлення повинен завжди знаходитися поза робочою зоною машини.
- Не використовуйте електроприлади з пошкодженим кабелем. Не торкайтеся пошкодженого кабелю. Якщо кабель був пошкоджений під час роботи, негайно вийміть штепсель із розетки. Несправність кабелю загрожує ураженням струмом.
- Електроінструмент слід використовувати тільки за призначенням. Будь-який спосіб застосування, відмінний від зазначених у цій інструкції, вважається неправильним. Виробник не несе ніякої відповідальності за збитки і травми, які виникли внаслідок неправильного застосування електроінструменту.
- Для того, щоб експлуатація електроінструмента вважалася правильною, слід дотримувати правил безпеки, загальних інструкцій та вказівок щодо роботи, які наведені в цьому документі. Всі користувачі повинні бути ознайомлені з цією інструкцією з експлуатації та попереджені про потенційні ризики, пов'язані з роботою інструменту. Не можна допускати до роботи з електроінструментом дітей і фізично слабких осіб. Діти, що знаходяться поблизу робочої зони машини, повинні знаходитись під безперервним спостереженням. Вживання запобіжних заходів безпеки обов'язкове. Це ж стосується дотримання основних правил охорони здоров'я і безпеки на робочому місці.
- Виробник не несе ніякої відповідальності за зміни та модифікації інструменту, що були зроблені користувачем, а також за пошкодження та збитки, які виникли внаслідок цих змін.
- Інструмент не слід використовувати під відкритим небом під час дощу, у вологому середовищі (після дощу) або поблизу легкозаймистих рідин і газів. Робоче місце має бути добре освітлене.

Ознайомлення з електроінструментом

Перед тим, як розпочати роботу з електроінструментом, ознайомтеся з усіма особливостями його роботи та вимогами безпеки.

Використовуйте електроінструмент і його приладдя тільки за призначенням. Будь-яке інше застосування інструменту категорично заборонене.

1. Кнопка вимикача
2. Індикатор живлення
3. Абразивний лист (MP 250)
4. Шліфувальна плита (MP 250)
5. Скоба (MP 250)
6. Мішок для збирання пилу
7. Напрямний пристрій - шаблон (MP 250)
8. Адаптер для відведення пилу
9. Комбінована шліфувальна плита (MP 251)
10. Перфорований шліфувальний абразивний лист (MP 251)
11. Верхній шліфувальний абразивний лист (MP 251)
12. Верхня підставка з пінопласту (MP 251)
13. Комбінована шліфувальна плита (MP 251)
14. Прямокутний перфорований шліфувальний лист (MP 251)
15. Верхня підставка з пінопласту (MP 251)
16. Верхній шліфувальний абразивний лист (MP 251)

Вказівки щодо роботи

Цей електроінструмент живиться тільки від джерела однофазної змінної напруги. Його можна включати в розетку живлення без захисних клем, оскільки він має подвійну ізоляцію, згідно EN 60745-1 й IEC 60745. Радіозавади відповідають вимогам EN 55014-1, EN 55014-2, EN 61000-3-2, EN 61000-3-3. Цей електроінструмент призначений для шліфування та полірування плоских та випуклих поверхонь металів, деревини, пластмас.

ПЕРЕД ПОЧАТКОМ РОБОТИ

- Перевірте відповідність напруги у мережі живлення технічним даним електроінструменту, зазначеним на табличці, що знаходиться на його корпусі.
- Перевірте, в якій позиції знаходиться вимикач живлення. Електроінструмент повинен підключатися до мережі і відключатися від мережі тільки за відключеного вимикача. Якщо приєднати штепсель до розетки живлення, коли вимикач знаходиться у позиції «включено», то прилад почне працювати і це призведе до нещасного випадку.
- Переконайтеся у справності кабелю живлення і штепселя. Якщо буде виявлено пошкодження кабелю, то, з метою уникнення ризиків, його заміна повинна бути виконана виробником або фахівцем фірмового сервісного установи.



ЗАСТЕРЕЖЕННЯ: Перед початком використання електроінструменту для обробки металу обов'язково приборіть мішок для збирання пилу з метою уникнення його займання від іскор.



ЗАСТЕРЕЖЕННЯ: Завжди відключайте електроінструмент та виймайте штепсель із розетки перед тим, як розпочати будь-які роботи з його налаштування, обслуговування або підтримки, а також у випадку зникнення напруги в мережі живлення.

ЗАПУСК - ЗУПИНКА

Запуск: Встановіть вимикач (1) в положення «I».

Зупинка: Встановіть вимикач (1) в положення «0».

МОНТАЖ АБРАЗИВНОГО ЛИСТА («ШКІРКИ»)

MP 250

Можна використовувати звичайні шліфувальні листи або листи з «липким» з'єднанням.

Якщо використовують звичайні абразивні листи:

Відключіть інструмент від мережі. Прочистіть шліфувальну плиту (4) Під час кріплення або заміни абразивного листа слід відкрити скоби (5).

Один край листа слід покласти під відкриту скобу (5) та закріпити його.

Абразивний лист (3) слід акуратно розправити на шліфувальній плиті, після чого другий край листа закріпити другою скобою.

Використовуйте напрямний пристрій-шаблон (7) для визначення місць розташування отворів перфорації, для більш зручного монтажу та для досягнення оптимального спів падання отворів абразивного листа з отворами шліфувальної плити.

Для забезпечення ефективного видалення пилу отвори шліфувальної плити та абразивного листа повинні співпадати.

Якщо використовують листи з «липучим» з'єднанням:

Відключіть інструмент від мережі. Прочистіть шліфувальну плиту (4) Притисніть шліфувальний лист (3) до шліфувальної плити (4).

Для забезпечення ефективного видалення пилу отвори шліфувальної плити та абразивного листа повинні співпадати. Для зручності монтажу та забезпечення максимальної співвідповідності отворів використовуйте напрямний пристрій-шаблон (7).

MP 251

Використовуйте шліфувальні листи з «липучим» з'єднанням. Відключіть інструмент від мережі. Виберіть ту чи іншу підставку в залежності від типу роботи, яка виконуватиметься. Для заміни шліфувальної підставки викрутіть, використовуючи хрестову викрутку, чотири гвинта, поставте потрібну підставку та закрутіть гвинти. (Рис. 1а, рис. 1б)

Прочистіть шліфувальну плиту.

За необхідності поставте на верхню частину шліфу-

вальної підставки підставку з пінопласту. Притисніть до плити перфорований абразивний лист.

Для забезпечення ефективного видалення пилу отвори шліфувальної плити та абразивного листа повинні співпадати.

ШЛІФУВАННЯ

Поверхню інструменту слід повністю розташувати на оброблюваному об'єкті.

Шліфувальну машину слід пересувати паралельно поверхні, що її обробляють та періодично змінювати переміщення в подовжньому напрямку на переміщення в поперечному напрямку.

Не слід притискати інструмент до оброблюваної поверхні. За умови натискання продуктивність шліфування не зростає, а знижується.

Звільняйте шліфувальний лист від пилу, періодично його стряхуючи.

Не допускається шліфування одним і тим самим листом металу та деревини.

MP 251

Комбінована плита дозволяє шліфувати поверхню як задню частину плити, так і – якщо місце для шліфування є важкодоступним – передньою частиною плити. Передню частину плити можна покрити шкуркою зверху; це дасть можливість виконувати шліфування вузьких прорізів (напр., на дерев'яних віконних заставках).

ВІДВЕДЕННЯ ПИЛУ

Відведення пилу через отвори в абразивному листі та пластині підвищує продуктивність інструменту та термін роботи абразивного листа. Мішок для збирання пилу (6) слід періодично звільняти від пилу, що в ньому накопичився.

ЗОВНІШНЄ ВІДВЕДЕННЯ ПИЛУ

Передбачена можливість підключення інструменту до пилососу. За підвищеного пилоутворення рекомендується зняти мішок (6) і підключити інструмент до пилососа.

ПРИЛАДДЯ ЕЛЕКТРОІНСТРУМЕНТУ

MP 250:

Абразивний лист P80 – 1 шт., адаптер для відведення пилу – 1 шт., мішок для збирання пилу – 1 – шт., напрямний пристрій-шаблон – 1 шт.

MP 251:

Підставка з пінопласту – 4 типа
Верхній шліфувальний лист - 2 типа x 3 шт.
Комбінована (нижня) шліфувальна підставка – 2 типа
Абразивний лист - 3 типа x 3 шт.
Адаптер для відведення пилу - 1 шт.
Мішок для збирання пилу - 1 шт.

Обслуговування



ЗАСТЕРЕЖЕННЯ: Завжди вимикайте електроінструмент і витягуйте штепсель із розетки перед кожною перевіркою інструменту або здійсненням робіт з догляду за інструментом.

ЗАМІНА ЩІТОК

Якщо щітки зносились, машина вимкнеться автоматично. Обидві щітки повинні бути замінені одночасно оригінальними щітками у сервісній установі SPARKY, що виконує роботи з гарантійного та позагарантійного обслуговування.

ЗАГАЛЬНА ПЕРЕВІРКА СТАНУ ІНСТРУМЕНТУ

Перевіряйте регулярно всі елементи кріплення і переконайтеся у тому, що вони надійно затягнуті. Якщо виявиться, що який-небудь гвинт послаблений, негайно затягніть його, що дозволить уникнути небезпечних ситуацій.

Якщо кабель живлення пошкоджений, заміна повинна бути здійснена виробником або його сервісним фахівцем, щоб уникнути небезпек, що пов'язані з заміною.

ОЧИЩЕННЯ

Для того, щоб робота з інструментом була безпечною, завжди тримайте інструмент і його вентиляційні отвори у чистоті.

Періодично перевіряйте, чи не потрапили у вентиляційні отвори електродвигуна або у отвори біля перемикачів пил або сторонні предмети. Для видалення пилу використовуйте м'яку щітку та/або струм повітря під тиском. Для захисту очей під час очищення використовуйте захисні окуляри.

Якщо корпус машини потрібно почистити, протріть його м'якою вологою ганчіркою. Можна використовувати розчин нейтрального детергенту.



ЗАСТЕРЕЖЕННЯ: Не допускається використання спирту, бензину або інших розчинників. Для чищення пластмасових частин ніколи не використовуйте їдкі препарати.



ЗАСТЕРЕЖЕННЯ: Не допускається контакт води з машиною.

ВАЖЛИВО! Для того, щоб робота електроінструменту була безпечною та надійною, всі операції ремонту, обслуговування та налаштування (включаючи перевірку і заміну щіток) слід здійснювати у спеціалізованих сервісних установах SPARKY та використовувати тільки оригінальні запасні частини.

Гарантія

Гарантійний термін електроприладів SPARKY вказаний в гарантійній карті

Несправності, що з'явилися в результаті природного зношування, перевантаження або неправильного користування, не входять до гарантійних зобов'язань.

Несправності, що з'явилися внаслідок застосування неякісних матеріалів та / або через виробничі помилки, усуваються без додаткової оплати шляхом заміни або ремонту.

Рекламації дефектного електроприладу SPARKY приймаються у тому випадку, якщо прилад буде повернуто постачальнику, або спеціалізованому гарантійного сервісу в не розібраному (початковому) стані.

Примітки

Уважно прочитайте всю інструкцію з експлуатації, перед тим, як приступити до використання виробу.

Виробник зберігає за собою право вносити у свої вироби поліпшення і зміни, а також змінювати специфікації без застереження.

Специфікації для різних країн можуть відрізнятися.

Съдържание

Въведение	70
Технически данни	72
Общи указания за безопасност при работа с електроинструменти	73
Допълнителни правила за безопасност при работа с плоскошлифовъчни машини.....	74
Запознаване с електроинструмента	A/75
Указания за работа	75
Поддръжка	77
Гаранция	77

РАЗОПАКОВАНЕ

В съответствие с общоприетите технологии на производство е малко вероятно новопридобитият от Вас електроинструмент да е неизправен или някоя от частите му да липсва. Ако забележите, че нещо не е наред, не работете с електроинструмента докато повредената част не се смени или дефектът не бъде отстранен. Неизпълнението на тази препоръка може да доведе до сериозна трудова злополука.

СГЛОБЯВАНЕ

MP 250 се доставя в кутия, напълно сглобена с изключение на адаптера и торбичката за прах.

MP 251 се доставя в куфар, напълно сглобена с изключение на адаптера и торбичката за прах.

Въведение

Новопридобитият от Вас електроинструмент SPARKY ще надхвърли Вашите очаквания. Той е произведен в съответствие с високите стандарти на качеството на SPARKY, отговарящи на строгите изисквания на потребителя. Лесен за обслужване и безопасен при експлоатация, при правилна употреба този електроинструмент ще Ви служи надеждно дълги години.



ПРЕДУПРЕЖДЕНИЕ!

Внимателно прочетете цялата инструкция за експлоатация преди да използвате новопридобития си електроинструмент SPARKY. Обърнете специално внимание на текстовете, които започват с думата “Предупреждение”. Вашият електроинструмент SPARKY притежава много качества, които ще улеснят Вашата работа. При разработката на този електроинструмент най-голямо внимание е обърнато на безопасността, експлоатационните качества и надеждността, които го правят лесен за поддръжка и експлоатация.



Не изхвърляйте електроелектроинструменти заедно с битовите отпадъци!

Отпадъците от електрически изделия не трябва да се събират заедно с битовите отпадъци. Моля, рециклирайте на местата, предназначени за това. Свържете се с местните власти или представител за консултация относно рециклирането.



ОПАЗВАНЕ НА ОКОЛНАТА СРЕДА

С оглед опазване на околната среда електроинструментът, принадлежностите и опаковката трябва да бъдат подложени на подходяща преработка за повторно използване на съдържащите се в тях суровини. За облекчаване на рециклирането детайлите, произведени от изкуствени материали, са обозначени по съответния начин.

ОПИСАНИЕ НА СИМВОЛИТЕ

На табелката с технически данни върху електроинструмента и/или зарядното устройство са изобразени символи. Те представляват важна информация за изделието или указания за неговата употреба.



Двойна изолация за допълнителна защита



Свързване към прахосмукачка



Съответства на приложимите европейски директиви



Съответства на изискванията на руските нормативни документи



Съответства на изискванията на украинските нормативни документи



Запознайте се с инструкцията за използване



YYYY-Www

Период на производство, където променливи символи са:
YYYY - година на производство, ww - поредна календарна седмица

MP

ПЛОСКОШЛИФОВЪЧНА МАШИНА

Технически данни

Модел	MP 250 • MP 251
• Консумирана мощност	250 W
• Обороти на празен ход	14000 min ⁻¹
• Ексцентрицитет	1,5 mm
• Размери на шлифовъчната плоча (MP 250)	108x112 mm
• Размери на шлифовъчната плоча (MP 251)	 108x112 mm 162x112 mm 196x112 mm
• Тегло (ЕРТА процедура 01/2003)	1,55 kg
• Клас на защита (EN 60745-1) 	II

ИНФОРМАЦИЯ ЗА ШУМ И ВИБРАЦИИ (Стойностите са измерени съгласно EN 60745)

• Излъчване на шум

А-претеглено ниво на звуково налягане L_{pA}	79 dB (A)
Неопределеност K_{pA}	3 dB (A)
А-претеглено ниво на звукова мощност L_{WA}	90 dB (A)
Неопределеност K_{WA}	3 dB (A)



Използвайте средства за защита от шума!

• Излъчване на вибрации *

Обща стойност на вибрациите (векторна сума по трите оси), определена съгласно EN 60745:

• Шлифване

Стойност на излъчените вибрации a_h	6,3 m/s ²
Неопределеност K	1,5 m/s ²

* Вибрациите са определени съгласно т. 6.2.7 на EN 60745-1.

Посоченото в тази инструкция ниво на вибрации е измерено в съответствие с методиката за изпитване, укавана в EN 60745 и може да се използва за сравняване на електроинструменти. Нивото на вибрации може да се използва за предварителна оценка на степента на въздействие.

Декларираното ниво на вибрации се отнася за основното предназначение на електроинструмента. В случаите, при които електроинструментът се използва за друго предназначение, с други принадлежности или ако електроинструментът не се поддържа добре, нивото на вибрации може да различава от посоченото. В тези случаи нивото на въздействие може значително да нарасне в границите на общия период на работа.

При оценката на нивото на въздействие на вибрации трябва също да се отчита времето, през което електроинструментът е изключен или е включен, но не се използва. Това може значително да понижи нивото на въздействие в границите на общия период на работа.

Поддържайте електроинструмента и принадлежностите в добро състояние. Пазете ръцете си топли по време на работа - това ще намали вредното въздействие при работа с повишени вибрации.

Прахът, отделян при обработването на материали като оловосъдържащи бои, някои видове дървесина, минерали и метали, може да бъде опасен за здравето. Допирът или вдишването на праха може да предизвика алергични реакции и/или заболявания на дихателните пътища на оператора или на намиращи се в близост лица.

Някои видове прах, например от дъб или бук, се считат за канцерогенни, особено в комбинация с добавки за обработка на дървесина (хромат, консерванти). Материал, който съдържа азбест, трябва да се обработва само от специалисти.

- Когато това е възможно, използвайте прахоотвеждане.
- За да се постигне висока степен на прахоулавяне, при работа с този електроинструмент използвайте прахосмукачка, предназначена за събиране на прах от дървесина или за прах от дървесина и/или минерален прах.
- Осигурете добра вентилация на работното място.
- Препоръчва се използването на защитна маска за прах с филтър клас P2.

Спазвайте действащите във вашата страна разпоредби за обработване на съответните материали.

Общи указания за безопасност при работа с електроинструменти



ПРЕДУПРЕЖДЕНИЕ! Четете всички предупреждения и указания за безопасност. Неспазването на предупрежденията и указанията за безопасност може да предизвика поражение от електрически ток, пожар и/или сериозно раняване.

Запазете всички предупреждения и указания за бъдещо ползване.

Терминът "електроинструмент" във всички описани по-долу предупреждения се отнася до вашия електроинструмент, захранван от мрежата (с шнур) и/или електроинструмент, захранван от акумулаторна батерия (без шнур).

1. БЕЗОПАСНОСТ НА РАБОТНОТО МЯСТО

- Поддържайте работното място чисто и добре осветено. Безпорядъкът и недостатъчното осветление са предпоставка за трудови злополуки.
- Не работете с електроинструменти в експлозивни атмосфери при наличие на запалими течности, газове или прах. Електроинструментите образуват искри, които могат да възпламят праха или парите.
- Дръжте децата и страничните лица на разстояние, когато работите с електроинструмент. Разсейването може да доведе до загуба на контрол от Ваша страна.

2. ЕЛЕКТРИЧЕСКА БЕЗОПАСНОСТ

- Щепселите на електроинструментите трябва да съответстват на контактите. Никога не променяйте щепсела по какъвто и да било начин. Не използвайте каквито и да са адаптерни щепсели за електроинструменти със защитно заземяване. Употребата на непроменени щепсели и съответстващите им контакти намалява риска за поражение от електрически ток.
- Избягвайте допир на тялото до земя или до заземени повърхности, такива като тръби, радиатори, кухненски печки и хладилници. Ако тялото ви е заземено, съществува повишен риск от поражение от електрически ток.
- Не излагайте електроинструментите на дъжд или във влажна среда. Проникването на вода в електроинструмента повишава риска от поражение от електрически ток.
- Използвайте шнура по предназначение. Никога не използвайте шнура за носене на електроинструмента, опъване или изваждане на щепсела от контактното гнездо. Дръжте шнура далече от топлина, масло,

остри ръбове или движещи се части. Увердени или оплетени шнурове повишават риска за поражение от електрически ток.

- При работа с електроинструмента на открито, използвайте удължител, подходящ за работа на открито. Използването на удължител, подходящ за работа на открито, намалява риска от поражение от електрически ток.
- Ако работата с електроинструмента във влажна среда е неизбежна, използвайте предпазно устройство, задействано от остатъчен ток, за прекъсване на захранването. Използването на предпазно устройство намалява риска от поражение от електрически ток.

3. ЛИЧНА БЕЗОПАСНОСТ

- Бъдете бдителни, работете с повишено внимание и проявявайте благодарумие, когато работите с електроинструмент. Не използвайте електроинструмента, когато сте уморени или под влияние на наркотици, алкохол или медикаменти. Момент на невнимание при работа с електроинструмент може да предизвика сериозна трудова злополука.
- Използвайте лични предпазни средства. Носете винаги средства за защита на очите. Лични предпазни средства, като маска против прах, неплъзгащи се безопасни обувки, защитен шлем или средства за защита на слуха, използвани при конкретните условия, намаляват риска от трудови злополуки.
- Избягвайте неволно пускане. Убедете се, че прекъсвачът е в изключено положение преди включване към източник на захранване и/или акумулаторна батерия, преди да го вземете или пренасяте. Носенето на електроинструмент с пръст върху прекъсвача или свързването към източник на захранване на електроинструмент с прекъсвач във включено положение е предпоставка за трудова злополука.
- Отстранете всеки ключ за затягане или гаечен ключ преди включване на електроинструмента. Ключ за затягане или гаечен ключ, прикрепен към въртяща се част на електроинструмента, може да предизвика трудова злополука.
- Не се пресягайте. Поддържайте правилен строеж и равновесие през цялото време. Това позволява по-добро управление на електроинструмента при неочаквани ситуации.
- Носете подходящо работно облекло. Не носете широки дрехи или бижута. Дръжте косите си, дрехите и ръкавиците далеч от движещи се части. Широки дрехи, бижута или дълги коси могат да се захванат от движещи се части.
- Ако електроинструментът е снабден с приспособления за засмукване и улавяне на прах, убедете се, че те са свързани и пра-

вилно използвани. Използването на тези устройства може да намали свързаните с прах опасности.

4. ИЗПОЛЗВАНЕ И ГРИЖИ ЗА ЕЛЕКТРОИНСТРУМЕНТИТЕ

- a) Не претоварвайте електроинструмента. Използвайте правилно избрания електроинструмент според приложението. *Правилно избраният електроинструмент работи по-добре и по-безопасно при обявения режим на работа, за който е проектиран.*
- b) Не използвайте електроинструмента, ако прекъсвачът не превключва във включено и изключено положение. *Всеки електроинструмент, който не може да бъде управляван с прекъсвач, е опасен и трябва да бъде ремонтиран.*
- c) Разединете щепсела от захранващата мрежа преди да извършите всякакви настройки, преди замяна на принадлежности или преди да приберете електроинструмента за съхранение. *Тези предпазни мерки за безопасност намаляват риска от неволно пускане на електроинструмента.*
- d) Съхранявайте неизползваните електроинструменти на места, недостъпни за деца и не позволявайте на обслужващи лица, които не познават електроинструмента или не са запознати с тези инструкции, да работят с него. *Електроинструментите са опасни в ръцете на необучени потребители.*
- e) Поддържайте електроинструментите. Проверявайте движещите се части дали функционират нормално и се движат свободно, целостта и изправността на частите, както и за всякакво друго обстоятелство, което може неблагоприятно да повлияе на работата на електроинструмента. *Ако е повреден, електроинструментът трябва да бъде ремонтиран преди по-нататъшно използване. Много злополуки са причинени от лошо поддържани електроинструменти.*
- f) Поддържайте режещите инструменти остри и чисти. *Правилно поддържаните режещи инструменти с остри режещи ръбове е по-малко вероятно да блокират и са по-лесни за управление.*
- g) Използвайте електроинструмента, принадлежностите и частите на инструмента и т.н. в съответствие с тези инструкции и по начин, предвиден за конкретния тип електроинструмент, като вземате предвид работните условия и работата, която трябва да се извършва. *Използването на електроинструмента за работа, различна от тази, за която е проектиран, може да предизвика опасна ситуация.*

5. ОБСЛУЖВАНЕ

- a) Поддържайте вашия електроинструмент при квалифициран специалист по ремонта, като използвате само оригиналните резервни части. *Това осигурява запазването на безопасността на електроинструмента.*

Допълнителни указания за безопасност при работа с плоскошлифовъчни машини



Използвайте средства за защита на слуха при продължителна работа. *Интензивният шум по време на работа може да предизвика слухови увреждания.*



По време на работа използвайте средства за защита на зрението, за да се предпазите от хвърчащи частици. *Носете защитни очила.*



Вземете предпазни мерки срещу вдишване на прах. *Някои материали могат да съдържат токсични съставки. Носете прахозащитна маска. Използвайте устройство за прахоотвеждане.*

- Не обработвайте материали, съдържащи азбест. Азбестът се счита за канцерогенно вещество.
- Препоръчва се използването на защитни ръкавици.



ПРЕДУПРЕЖДЕНИЕ: Преди да свържете електроинструмента към захранващата мрежа, убедете се че захранващото напрежение отговаря на посоченото върху табелката с технически данни на електроинструмента.

- Източник на захранване с напрежение, по-висок от посоченото за електроинструмента, може да предизвика както сериозно поражение от електрически ток върху оператора, така и повреда на електроинструмента.
- Ако имате някакви колебания, не поставяйте щепсела на електроинструмента в контактното гнездо.
- Използването на източник на захранване с напрежение, по-ниско от обозначеното върху табелката на електроинструмента, ще увреди електродвигателя.
- За да се предотврати евентуално прегряване, винаги развивайте докрай кабела от удължител с кабелен барабан.
- Когато се налага използването на удължител, убедете се, че сечението му отговаря на номиналния ток на използвания електроинструмент, както и в изправността на удължителя.



ПРЕДУПРЕЖДЕНИЕ: Винаги изключвайте електроинструмента и изваждайте щепсела от контакта преди извършване на каквато и да било настройка, обслужване или поддръжка и при отпадане на захранващото напрежение.

- Използвайте машината само за сухо шлифоване.
- Фиксирайте обработвания детайл в менгеме или по друг подходящ начин.
- Уплотрявайте перфорирани абразивни листове с прилепващо закопчаване и с предписаните размери.
- Не се допуска работа с вече използван абразивен лист за метал за обработване на други материали.
- Не включвайте машината под товар и я оставайте само след окончателното спиране на въртенето.
- Не претоварвайте машината: работете с умерен натиск. Претоварването е резултат от прилагане на прекомерен натиск, при което електродвигателят забавя въртенето си, това е предпоставка за неефекасна работа и евентуална повреда на електродвигателя на машината.
- Поддържайте чисто работното място. Смесването на прах от различни материали е особено опасно. Прахът от леки метали може да гори или експлодира.
- Присъствието на вреден токсичен прах, възникващ при шлифоване на повърхности съдържащи олово, кварц (силициев двуокис), допирът до него или вдишването му могат да бъде опасно за здравето на оператора или наблюдателя.
- Дръжте захранващия кабел извън работния обсег на машината.
- Не използвайте електроинструмента с повреден кабел. Не докосвайте повредения кабел и извадете щепсела от контакта, ако кабелът се повреди по време на работа. Повредените кабели повишават риска от токов удар.
- Електроинструментът трябва да се използва само по предназначение. Всякаква друга употреба, различаваща се от описаната в тази инструкция, ще се счита за неправилна употреба. Отговорността за всякаква повреда или нараняване, произтичащи от неправилна употреба, ще се носи от потребителя, а не от производителя.
- За да експлоатирате правилно този електроинструмент, трябва да съблюдавате правилата за безопасност, общите инструкции и указанията за работа, посочени тук. Всички потребители трябва да са запознати с тази инструкция за експлоатация и информирани за потенциалните рискове при работата с електроинструмента. Деца и физически слаби хора не трябва да използват електроинструмента. Децата трябва да бъдат под непрекъснато наблюдение ако се намират в близост до място, където се работи с електроинструмента. Задължително е да предприемете и превантивни мерки за безопасност. Същото се отнася и за спазването на основните правила за професионалното здраве и безопасност.
- Производителят не носи отговорност за извър-

шени от потребителя промени върху електроинструмента или за повреди, предизвикани от подобни промени.

- Електроинструментът е предназначен за работа в помещения и зони с нормална пожарна опасност съгласно "Наредба №2 "Противопожарни строително-технически норми". Не се допуска използването му във взривоопасна и пожароопасна среда, при температура на околния въздух над 40°C, в особено влажна среда, при наличие на валежи и в химически активна среда. Работното място трябва да е добре осветено.

Запознаване с електроинструмента

Преди да започнете да работите с електроинструмента се запознайте с всички оперативни особености и условия за безопасност. Използвайте електроинструмента и принадлежностите му само по предназначение. Всяко друго приложение е изрично забранено.

1. Бутон на прекъсвача
2. Индикатор за наличие на захранване
3. Шлифовъчен абразивен лист
4. Шлифовъчна плоча
5. Притискач (MP 250)
6. Торбичка за прах
7. Водач-шаблон (MP 250)
8. Адаптер за прахоулавяне
9. Комбинирана шлифовъчна плоча (MP 251)
10. Перфориран шлифовъчен абразивен лист (MP 251)
11. Горен шлифовъчен абразивен лист (MP 251)
12. Горна подложка от пенопласт (MP 251)
13. Комбинирана шлифовъчна плоча (MP 251)
14. Правоъгълен перфориран шлифовъчен лист (MP 251)
15. Горна подложка от пенопласт (MP 251)
16. Горен шлифовъчен абразивен лист (MP 251)

Указания за работа

Тези електроинструменти се захранват само с еднофазно променливо напрежение. Те са с двойна изолация съгласно EN 60745-1 и IEC 60745 и може да се присъединяват към контакти без защитни клеми. Радиомущенията съответстват на Директивата за електромагнитна съвместимост 2004/108/ЕС. Този електроинструмент е предназначен за шлифоване и полиране на равнинни и изпъкнали повърхнини от метал, пластмаса и дърво.

ПРЕДИ ДА ЗАПОЧНЕТЕ РАБОТА

- Проверете дали напрежението на електрическата мрежа отговаря на това, означено върху табелката с технически данни на електроинструмента.
- Проверете в какво положение се намира прекъс-

вачът. Електроинструментът трябва да се присъединява и отделя от захранващата мрежа само при изключен прекъсвач. Ако поставите щепсела в контакт докато прекъсвачът е във включено положение, електроинструментът веднага ще се задейства, което е предпоставка за злополука.

- Убедете се в изправността на захранващия кабел и щепсел. Ако захранващият кабел е повреден, замяната трябва да се извърши от производителя или от негов сервизен специалист, за да се избегнат опасностите от замяната.



ПРЕДУПРЕЖДЕНИЕ: Преди да използвате електроинструмента за обработка на метал, винаги сваляйте торбичката прах, защото искрите могат да възпламенят праха или торбичката.



ПРЕДУПРЕЖДЕНИЕ: Винаги изключвайте електроинструмента и изваждайте щепсела от контакта преди извършване на каквато и да било настройка, обслужване или поддръжка и при отпадане на захранващото напрежение.

ПУСКАНЕ - СПИРАНЕ

Пускане: Поставете прекъсвача (1) в положение "I".
Спирание: Поставете прекъсвача (1) в положение "O".

МОНТАЖ НА АБРАЗИВНИЯ ЛИСТ (ШКУРКАТА)

MP 250

Използвайте обикновен абразивен лист или самозалепващи се листове с прилепащо закопчаване.

При използване на обикновени абразивни листове: Изключете щепсела от захранващата мрежа. Почистете шлифовъчната плоча (4). При затягане или смяна на шлифовъчния лист се отварят притискачите (5).

Единият край на листа се поставя под отворения притискач (5) и се затяга.

Шлифовъчния лист (3) трябва да бъде добре опънат върху шлифовъчната плоча, след което другият край на листа се затяга с втория притискач.

Използвайте водача-шаблон (7), за да отбележите местата за перфорирани отвори, за удобство при монтаж и за оптимално съвпадане на отворите на абразивния лист и шлифовъчната плоча. Отворите на шлифовъчния лист трябва да съвпадат с тези в шлифовъчната плоча (4) за ефективно прахоотвеждане.

При използване на самозалепващи се листове с прилепащо закопчаване:

Изключете щепсела от захранващата мрежа. Почистете шлифовъчната плоча (4). Притиснете абразивния лист (3) към шлифовъчната плоча (4).

Отворите на шлифовъчния лист трябва да съвпа-

дат с тези в шлифовъчната плоча за ефективно прахоотвеждане. За удобство при монтаж и оптимално съвпадане на отворите на абразивния лист и шлифовъчната плоча използвайте водача-шаблон (7).

MP 251

Използвайте самозалепващи се листове с прилепащо закопчаване.

Изключете щепсела от захранващата мрежа. Съобразно вида на предстоящата работа изберете една от шлифовъчните плочи. За да смените шлифовъчната плоча, с помощта на кръстата отвертка развийте четирите винта, поставете другата плоча и затегнете винтовете. (Фиг. 1а, фиг. 1б)

Почистете шлифовъчната плоча.

При необходимост поставете върху горната част на шлифовъчната плоча горната подложка от пенопласт.

Притиснете перфорирания абразивен лист към плочата.

Отворите на шлифовъчния лист трябва да съвпадат с тези в плочата за ефективно прахоотвеждане.

ШЛИФОВАНЕ

Машината се поставя с цялата си повърхност върху обработвания детайл.

Шлифовъчната машина да се движи успоредно като периодично се редуват надлъжна и напречна посока.

Машината да не се притиска силно към шлифованата повърхност. С повишаване на натиска, производителността при шлифоване не се увеличава, а спада.

От време на време чрез изтупване, шлифовъчният лист да се освобождава от праха.

Не се допуска шлифоването на дърво и метал с един и същ лист.

MP 251

Комбинираната плоча дава възможност за шлифоване на повърхности както със задната част на плочата, така и на трудно достъпни места с предната част на плочата. Предната част на плочата може да се покрие с шкурка отгоре, за да се използва за едновременно шлифоване на тесни прорези (например на дървени капаци за прозорци).

ПРАХООТВЕЖДАНЕ

Отвеждането на праха през отворите в абразивния лист и плочата повишава производителността и удължава живота на абразивния лист. Торбичката за прах (6) трябва редовно да се почиства.

ВЪНШНО ПРАХООТВЕЖДАНЕ

Предвидена е възможност за присъединяване на прахосмукачка към машината. При повишено прахоотделяне се препоръчва да се свалят торбичката за прах (6) и машината да се свърже към прахосмукачка.

ПРИНАДЛЕЖНОСТИ, КОИТО МОГАТ ДА БЪДАТ ИЗПОЛЗВАНИ С ТОЗИ ЕЛЕКТРОИНСТРУМЕНТ

MP 250:

Шлифовъчен лист - 1 бр., адаптер - 1 бр., торбичка за прах - 1бр., водач-шаблон - 1 бр.

MP 251:

Подложка от пенопласт - 4 вида; горен шлифовъчен лист - 2 вида x 3 бр.; комбинирана шлифовъчна плоча - 2 вида; шлифовъчни листове - 3 вида x 3 бр.; адаптер - 1 бр.; торбичка за прах - 1 бр.

Поддръжка



ПРЕДУПРЕЖДЕНИЕ: Винаги изключвайте електроинструмента и изваждайте щепсела от контакта преди каквато и да било проверка или поддръжка.

ПОДМЯНА НА ЧЕТКИТЕ

Когато четките се износят, двете четки трябва да се подменят едновременно с оригинални четки в сервиз на SPARKY за гаранционна и извънгаранционна поддръжка.

ОБЩА ПРОВЕРКА

Проверявайте редовно всички крепежни елементи и се уверете, че те са здраво притегнати. В случай, че някой от винтовете се е разхлабил, го затегнете незабавно, за да избегнете рискови ситуации. Ако захранващият кабел е повреден, замяната трябва да се извърши от производителя или негов сервизен специалист, за да се избегнат опасности от замяната.

ПОЧИСТВАНЕ

За безопасна работа поддържайте винаги чисти машината и вентилационните отвори. Редовно проверявайте дали във вентилационната решетка близо до електродвигателя или около преключателите не е проникнал прах или чужди тела. Използвайте мека четка за да отстраните събралия се прах. За да предпазите очите си, по време на почистването носете защитни очила. Ако корпусът на машината се нуждае от почистване, избършете го с мека влажна кърпа. Може да се използва слаб препарат за миене.



ПРЕДУПРЕЖДЕНИЕ: Не се допуска употребата на спирт, бензин или други разтворители. Никога не използвайте разяждащи препарати за почистване на пластмасовите части.



ПРЕДУПРЕЖДЕНИЕ: Не се допуска влизането на вода в контакт с машината.

ВАЖНО! За да се осигури безопасната работа с електроинструмента и неговата надеждност, всички дейности по ремонта, поддръжката и регулирането (включително проверката и подмяната на четките) трябва да се извършват в оторизираните сервизи на SPARKY с използване само на оригинални резервни части.

Гаранция

Гаранционният срок на електроинструментите SPARKY се определя в гаранционна карта. Неизправности, появили се в следствие на естествено износване, претоварване или неправилна експлоатация, се изключват от гаранционните задължения.

Неизправности, появили се в следствие на влагане на некачествени материали и/или производствени грешки, се отстраняват без допълнително заплащане чрез замяна или ремонт.

Рекламация на дефектирал електроинструмент SPARKY се признава, когато машината се върне на доставчика или се представи на оторизиран гаранционен сервиз в неразглобено (първоначално) състояние.

Забележки

Внимателно прочетете цялата инструкция за използване преди да използвате това изделие.

Производителят си запазва правото да въвежда подобрения и промени в своите изделия и да променя спецификациите без предупреждение.

Спецификациите могат да се различават за отделните страни.





