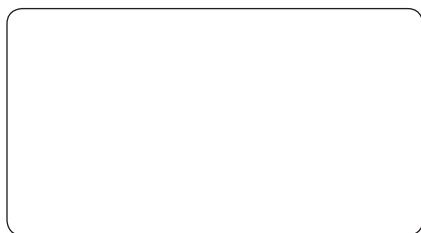
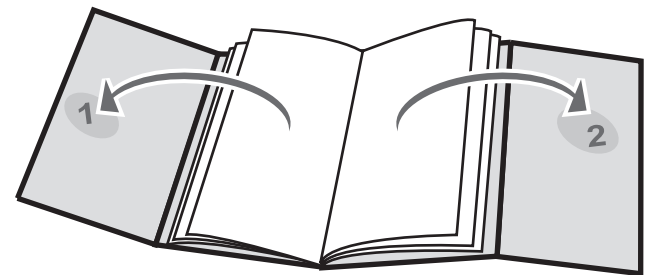




**POWER  
TOOLS**



[www.sparkygroup.com](http://www.sparkygroup.com)

142411

1206R01

© 2012 SPARKY

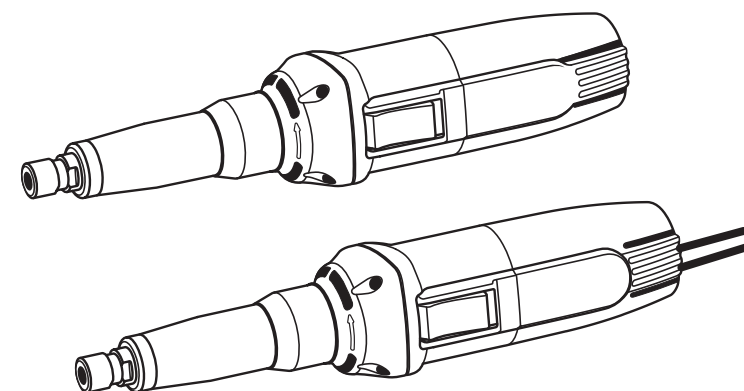


# SPARKY

[www.sparkygroup.com](http://www.sparkygroup.com)

## PROFESSIONAL

(EN)	<b>STRAIGHT GRINDER</b> Original instructions	1 – 8
(DE)	<b>GERADSCHLEIFER</b> Originalbetriebsanleitung	9 – 17
(FR)	<b>MEULEUSE DROITE</b> Notice originale	18 – 26
(IT)	<b>SMERIGLIATRICE ASSIALE</b> Istruzioni originali	27 – 34
(ES)	<b>AMOLADORA RECTA</b> Instrucciones de uso originales	35 – 43
(PT)	<b>LIXADEIRA DIREITA</b> Manual original	44 – 52
(PL)	<b>SZLIFIERKA PROSTA</b> Oryginalna instrukcja obsługi	53 – 61
(RU)	<b>ПРЯМАЯ ШЛИФОВАЛЬНАЯ МАШИНА</b> Оригинальная инструкция по эксплуатации	62 – 70
(UK)	<b>ПРЯМА ШЛІФОВАЛЬНА МАШИНА</b> Оригінальна інструкція з експлуатації	71 – 79
(BG)	<b>ПРАВА ШЛИФОВЪЧНА МАШИНА</b> Оригинална инструкция за използване	80 – 88



**550/710W**

**MKL 550E • MKL 710CE**



(EN)

### DECLARATION OF CONFORMITY

We declare under our sole responsibility that this product fulfils all the relevant provisions of the following directives and the harmonized standards:  
2006/42/EC, 2004/108/EC, EN 60745-1, EN 60745-2-4, EN 55014-1, EN 55014-2, EN 61000-3-2, EN 61000-3-3.  
Technical file is stored at SPARKY ELTOS AG, Kubrat Str. 9, 5500 Lovetch, Bulgaria.

(DE)

### KONFORMITÄTSERKLÄRUNG

Hiermit versichern wir unsere persönliche Haftung, dass dieses Erzeugnis allen einschlägigen Bestimmungen folgender Richtlinien und entsprechender harmonisierten Standards entspricht:  
2006/42/EC, 2004/108/EC, EN 60745-1, EN 60745-2-4, EN 55014-1, EN 55014-2, EN 61000-3-2, EN 61000-3-3.  
Die technischen Unterlagen werden bei SPARKY ELTOS AG, Kubrat Str.9, 5500 Lovetch, Bulgarien, aufbewahrt.

(FR)

### DECLARATION DE CONFORMITE

Nous déclarons sous notre responsabilité que ce produit satisfait à l'ensemble des dispositions pertinentes de la présente directives, respectivement aux normes harmonisées:  
2006/42/EC, 2004/108/EC, EN 60745-1, EN 60745-2-4, EN 55014-1, EN 55014-2, EN 61000-3-2, EN 61000-3-3.  
Le dossier technique est conservé par SPARKY ELTOS AD, 9, rue Kubrat, Lovech, Bulgarie.

(IT)

### DICHIARAZIONE DI CONFORMITÀ

Noi dichiariamo sotto la nostra personale responsabilità, che questo prodotto è in conformità a tutte le disposizioni pertinenti della presente direttive e norme armonizzate:  
2006/42/EC, 2004/108/EC, EN 60745-1, EN 60745-2-4, EN 55014-1, EN 55014-2, EN 61000-3-2, EN 61000-3-3.  
Il fascicolo tecnico viene custodito presso la SPARKY ELTOS AD, 5500 Lovech, via Kubrat n. 9, Bulgaria.

(ES)

### DECLARACIÓN DE CONFORMIDAD

Declaramos bajo nuestra exclusiva responsabilidad que este producto está conforme con todas las disposiciones aplicables de la presente directrices aplicables y las correspondientes normas armonizadas:  
2006/42/EC, 2004/108/EC, EN 60745-1, EN 60745-2-4, EN 55014-1, EN 55014-2, EN 61000-3-2, EN 61000-3-3.  
El expediente técnico está archivado en SPARKY ELTOS SA, C/ Kubrat, 9, 5500 Lovech, Bulgaria.

(PT)

### DECLARAÇÃO DE CONFORMIDADE

Declaramos assumindo a nossa responsabilidade pessoal que este produto está conforme com todas as disposições relevantes da presente directrizes aplicáveis e respectivos estandartes harmonizados:  
2006/42/EC, 2004/108/EC, EN 60745-1, EN 60745-2-4, EN 55014-1, EN 55014-2, EN 61000-3-2, EN 61000-3-3.  
A documentação técnica guarda-se no SPARKY ELTOS AD, rua Kubrat 9, 5500, Lovech, Bulgária.

(PL)

### DEKLARACJA ZGODNOŚCI

Niniejszym deklarujemy naszą osobistą odpowiedzialnością, że ten produkt spełnia wszystkie odpowiednie postanowienia następujących dyrektyw i harmonizowanych standardów:  
2006/42/EC, 2004/108/EC, EN 60745-1, EN 60745-2-4, EN 55014-1, EN 55014-2, EN 61000-3-2, EN 61000-3-3.  
Teczka techniczna przechowywana jest w SPARKY ELTOS AG, Kubrat Str.9, 5500 Lovetch, Bulgaria.

(RU)

### ДЕКЛАРАЦИЯ О СООТВЕТСТВИИ

Мы заявляем со всей ответственностью, что данный продукт полностью соответствует всем соответствующим требованиям действующих директив и гармонизированных стандартов:  
2006/42/EC, 2004/108/EC, EN 60745-1, EN 60745-2-4, EN 55014-1, EN 55014-2, EN 61000-3-2, EN 61000-3-3.  
Техническое досье хранится в СПАРКИ ЕЛТОС АД, ул. Кубрат №9, 5500 Ловеч, Болгария.

(UK)

### ДЕКЛАРАЦІЯ ПРО ВІДПОВІДНІСТЬ

Ми заявляємо під свою власну відповідальність, що даний продукт відповідає всім діючим вимогам директив і гармонізованих стандартів:  
2006/42/EC, 2004/108/EC, EN 60745-1, EN 60745-2-4, EN 55014-1, EN 55014-2, EN 61000-3-2, EN 61000-3-3.  
Технічне досьє зберігається в СПАРКИ ЕЛТОС АД, ул. Кубрат № 9, 5500 Ловеч, Болгарія.

(BG)

### ДЕКЛАРАЦИЯ ЗА СЪОТВЕТСТВИЕ

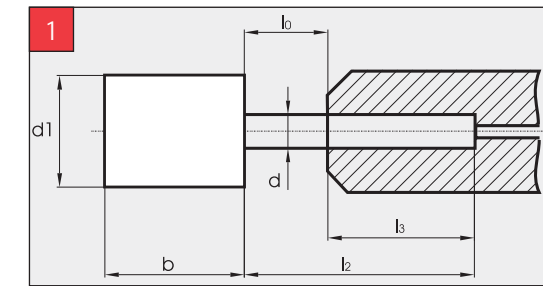
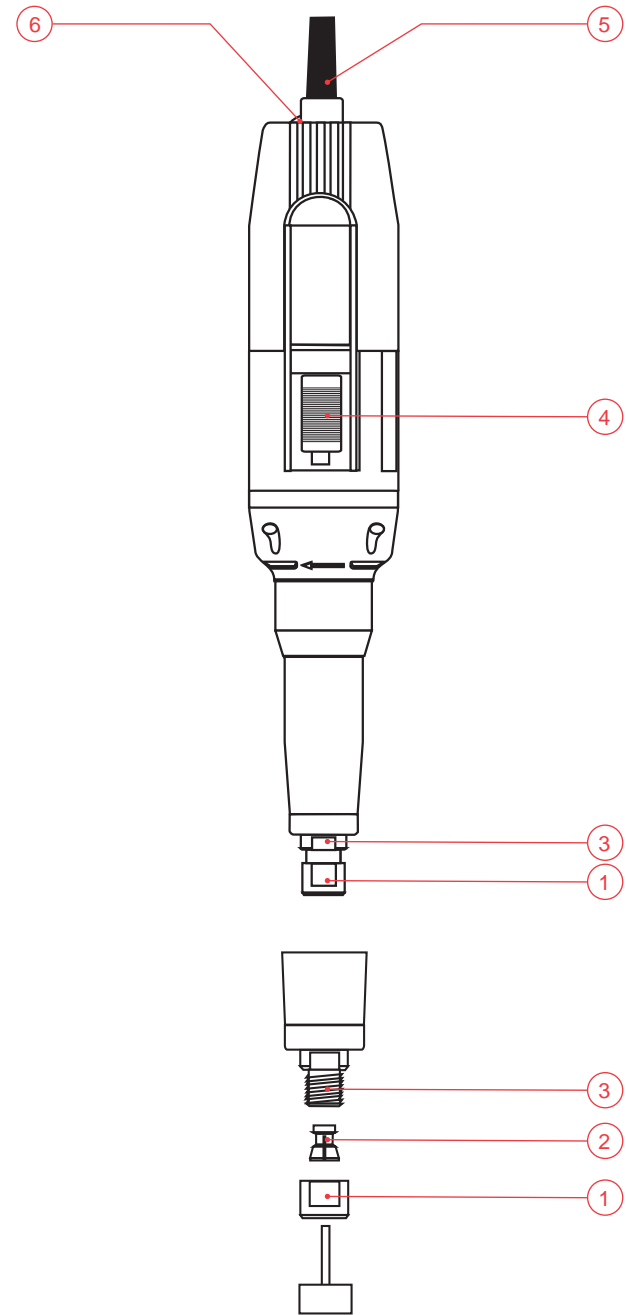
Ние декларираме на своя лична отговорност, че това изделие отговаря на всички приложими изисквания на следните директиви и хармонизирани стандарти:  
2006/42/EC, 2004/108/EC, EN 60745-1, EN 60745-2-4, EN 55014-1, EN 55014-2, EN 61000-3-2, EN 61000-3-3.  
Техническото досие се съхранява в СПАРКИ ЕЛТОС АД, ул. Кубрат №9, 5500 Ловеч, България.

Manufacturer  
**SPARKY Power Tools GmbH**  
Leipziger Str. 20  
10117 Berlin, GERMANY

Signature of authorized person

A. Ivanov  
Technical director of SPARKY ELTOS AG

27.04.2010



# Contents

I - Introduction .....	1
II - Technical specifications .....	3
III - General power tool safety warnings .....	4
IV - Additional safety rules for straight grinders .....	5
V - Know your product .....	A/6
VI - Operation .....	B/6
VII - Maintenance .....	7
VIII - Warranty .....	8

## UNPACKING

Due to modern mass production techniques, it is unlikely that your power tool is faulty or that a part is missing. If you find anything wrong, do not operate the tool until the parts have been replaced or the fault has been rectified. Failure to do so could result in serious personal injury.

## ASSEMBLY

The straight grinder is packed fully assembled except for the collet and the nut. Choose a collet corresponding to the tool shank diameter you intend to use, then assemble the collet and the nut to the machine.

## I - Introduction

---

Your new SPARKY power tool will more than satisfy your expectations. It has been manufactured under stringent SPARKY Quality Standards to meet superior performance criteria. You will find your new tool easy and safe to operate, and, with proper care, it will give you many years of dependable service.

### WARNING:



Carefully read through this entire Original Instructions before using your new SPARKY power tool. Take special care to heed the Warnings. Your SPARKY power tool has many features that will make your job faster and easier. Safety, performance, and dependability have been given top priority in the development of this tool, making it easy to maintain and operate.



### **Do not dispose of electric tools together with household waste!**

Waste electrical products should not be disposed of with household waste. Please recycle where facilities exist. Check with your local authority or retailer for recycling advice.

## ENVIRONMENTAL PROTECTION



The machine, accessories and packaging should be sorted for environmental-friendly recycling.  
The plastic components are labelled for categorised recycling.

## DESCRIPTION OF SYMBOLS

The rating plate on your power tool may show symbols. These represent important information about the product or instructions on its use.



Double insulated for additional protection.



Constant electronics plus electronic speed pre-selection



Conforms to the relevant European Directives.



Conforms to the requirements of Russian standards.



Conforms to the requirements of Ukrainian standards.



Refer to Original Instructions.

YYYY-Www    Production period, where the variable symbols are:  
YYYY- year of manufacture,  
Www - calendar week number.

MKL            Straight grinder.

## II - Technical specifications

Model	MKL 550E	MKL 710CE
Power input	550 W	710W
No load speed	10000-33000 min <sup>-1</sup>	10000-30000 min <sup>-1</sup>
Collet capacity	Ø6 mm, Ø8 mm	Ø6 mm, Ø8 mm
Wheel diameter, max.	25 mm	25 mm
Weight (EPTA Procedure 01/2003)	1,4 kg	1,4 kg
Protection class (EN 60745-1) 	II	II

### NOISE AND VIBRATION INFORMATION

Measured values determined according to EN 60745.

#### Noise emission

A-weighted sound pressure level $L_{pA}$	81,0 dB (A)	78,0 dB (A)
Uncertainty $K_{pA}$	3,0 dB (A)	3,0 dB (A)
A-weighted sound power level $L_{WA}$	92,0 dB (A)	89,0 dB (A)
Uncertainty $K_{WA}$	3,0 dB (A)	3,0 dB (A)

#### Wear hearing protection!

#### Vibration emission \*

Total vibration values (vector sum in the three axes) determined according to EN 60745:

Surface grinding		
Vibration emission value $a_h$	6,5 m/s <sup>2</sup>	6,0 m/s <sup>2</sup>
Uncertainty K	1,5 m/s <sup>2</sup>	1,5 m/s <sup>2</sup>

\* The vibration emission values are determined according to 6.2.7 EN 60745-1.

The vibration emission level given in this information sheet has been measured in accordance with a standardised test given in EN 60745 and may be used to compare one tool with another. It may be used for a preliminary assessment of exposure.

The declared vibration emission level represents the main applications of the tool. However if the tool is used for different applications, with different accessories or poorly maintained, the vibration emission may differ. This may significantly increase the exposure level over the total working period.

An estimation of the level of exposure to vibration should also take into account the times when the tool is switched off or when it is running but not actually doing the job. This may significantly reduce the exposure level over the total working period.

Maintain the power tool and the accessories and keep your hands warm during operation to reduce the harmful effect of vibrations.

Dust from material such as paint containing lead, some wood species, minerals and metal may be harmful. Contact with or inhalation of the dust may cause allergic reactions and/or respiratory diseases to the operator or bystanders.

Certain kinds of dust are classified as carcinogenic such as oak and beech dust especially in conjunction with additives for wood conditioning (chromate, wood preservative). Material containing asbestos must only be treated by specialists.

- Where the use of a dust extraction device is possible it shall be used.
- To achieve a high level of dust collection, use vacuum cleaner for wood or for wood and/or minerals together with this tool.
- The work place must be well ventilated.
- The use of a dust mask of filter class P2 is recommended.

Follow national requirements for the materials you want to work with.

## III - General power tool safety warnings



**WARNING!** Read all safety warnings and all instructions. Failure to follow the warnings and instructions may result in electric shock, fire and/or serious injury.

Save all warnings and instructions for future reference.

The term "power tool" in the warnings refers to your mains-operated (corded) power tool or battery-operated (cordless) power tool.

### 1) Work area safety

- Keep work area clean and well lit.** Cluttered or dark areas invite accidents.
- Do not operate power tools in explosive atmospheres, such as in the presence of flammable liquids, gases or dust.** Power tools create sparks which may ignite the dust or fumes.
- Keep children and bystanders away while operating a power tool.** Distractions can cause you to lose control.

### 2) Electrical safety

- Power tool plugs must match the outlet. Never modify the plug in any way. Do not use any adapter plugs with earthed (grounded) power tools.** Unmodified plugs and matching outlets will reduce risk of electric shock.
- Avoid body contact with earthed or grounded surfaces, such as pipes, radiators, ranges and refrigerators.** There is an increased risk of electric shock if your body is earthed or grounded.
- Do not expose power tools to rain or wet conditions.** Water entering a power tool will increase the risk of electric shock.
- Do not abuse the cord. Never use the cord for carrying, pulling or unplugging the power tool. Keep cord away from heat, oil, sharp edges or moving parts.** Damaged or entangled cords increase the risk of electric shock.
- When operating a power tool outdoors, use an extension cord suitable for outdoor use.** Use of a cord suitable for outdoor use reduces the risk of electric shock.
- If operating a power tool in a damp location is unavoidable, use a residual current device (RCD) protected supply.**

*Use of an RCD reduces the risk of electric shock.*

### 3) Personal safety

- Stay alert, watch what you are doing and use common sense when operating a power tool. Do not use a power tool while you are tired or under the influence of drugs, alcohol or medication.** A moment of inattention while operating power tools may result in serious personal injury.
- Use personal protective equipment. Always wear eye protection.** Protective equipment such as dust mask, non-skid safety shoes, hard hat, or hearing protection used for appropriate conditions will reduce personal injuries.
- Prevent unintentional starting. Ensure the switch is in the off-position before connecting to power source and/or battery pack, picking up or carrying the tool.** Carrying power tools with your finger on the switch or energising power tools that have the switch on invites accidents.
- Remove any adjusting key or wrench before turning the power tool on.** A wrench or a key left attached to a rotating part of the power tool may result in personal injury.
- Do not overreach. Keep proper footing and balance at all times.** This enables better control of the power tool in unexpected situations.
- Dress properly. Do not wear loose clothing or jewellery. Keep your hair, clothing and gloves away from moving parts.** Loose clothes, jewellery or long hair can be caught in moving parts.
- If devices are provided for the connection of dust extraction and collection facilities, ensure these are connected and properly used.** Use of dust collection can reduce dust-related hazards.

### 4) Power tool use and care

- Do not force the power tool. Use the correct power tool for your application.** The correct power tool will do the job better and safer at the rate for which it was designed.
- Do not use the power tool if the switch does not turn it on and off.** Any power tool that cannot be controlled with the switch is dangerous and must be repaired.
- Disconnect the plug from the power source and/or the battery pack from the power tool before making any adjustments, changing accessories, or storing power tools.** Such preventive safety meas-

ures reduce the risk of starting the power tool accidentally.

- d) **Store idle power tools out of the reach of children and do not allow persons unfamiliar with the power tool or these instructions to operate the power tool.** *Power tools are dangerous in the hands of untrained users.*
- e) **Maintain power tools. Check for misalignment or binding of moving parts, breakage of parts and any other condition that may affect the power tool's operation. If damaged, have the power tool repaired before use.** *Many accidents are caused by poorly maintained power tools.*
- f) **Keep cutting tools sharp and clean.** *Properly maintained cutting tools with sharp cutting edges are less likely to bind and are easier to control.*
- g) **Use the power tool, accessories and tool bits etc. in accordance with these instructions, taking into account the working conditions and the work to be performed.** *Use of the power tool for operations different from those intended could result in a hazardous situation.*

#### 5) Service

- a) **Have your power tool serviced by a qualified repair person using only identical replacement parts.** *This will ensure that the safety of the power tool is maintained.*

## IV - Additional safety rules for straight grinders

---

- **Hold the power tool by insulated gripping surfaces only, when performing an operation where the cutting accessory may contact hidden wiring or its own cord.** *Cutting accessory contacting a "live" wire may make exposed metal parts of the power tool "live" and could give the operator an electric shock.*
- **Always wear eye and ear protection and use a dust mask.** *The dust and abrasive particles separated during operation may seriously injure your health.*



**WARNING:** Before connecting a tool to a power source be sure that the voltage supply is the same as that specified on the nameplate of the tool.

- A power source with a voltage greater than that specified for the tool can result in serious injury to the user, as well as damage to the tool.
- If in doubt, do not plug in the tool.
- Using a power source with a voltage less than the nameplate rating is harmful to the motor.



**WARNING:** Always switch off and unplug the power tool prior to any adjustment, servicing or maintenance or in case of mains drop-out.

- The outer metal parts and the bits may get hot after continuous operation. Do not touch the bit or the work piece immediately after operation - they may be extremely hot and you may get serious burns.
- Keep your hands away from the rotating bit.
- Use clamps or a vice to secure your work whenever possible.
- Always switch off the machine and wait until the spindle has come to a complete standstill before placing it down.
- Do not force the machine: let the tool do the work at a reasonable speed. Overloading will occur if too much pressure is applied and the motor slows resulting in inefficient work and possible damage to the motor.
- Rags, cloths, cord, string and the like should never be left around the work area.
- Before using the tool on an actual work piece, switch on and let it run for a while. Operate the tool at least 200 mm away from your face and body.
- Always be sure you have a firm footing. Be sure no one is below when using the tool in high locations.
- The tool must be used only for its prescribed purpose. Any use other than those mentioned in this Manual will be considered a case of misuse. The user and not the manufacturer shall be liable for any damage or injury resulting from such cases of misuse.
- To use this tool properly, you must observe the safety regulations, the assembly instructions and the operating instructions found in this Manual. All persons who use and service the machine have to be acquainted with this Manual and must be informed about its potential hazards. Children and frail people must not use this tool. Children should be supervised at all times if they are in the area in which the tool is being used. It is also imperative that you observe the accident prevention regula-

tions in force in your area. The same applies for general rules of occupational health and safety.

- The manufacturer shall not be liable for any changes made to the tool nor for any damage resulting from such changes.

Even when the tool is used as prescribed it is not possible to eliminate all residual risk factors. The following hazards may arise in connection with the tool's construction and design:

- Damage to hearing if effective hearing protection is not worn.
- Always unplug the machine prior to any adjustment, servicing or maintenance including replacing the accessories.
- The power tools must not be used outdoors in rainy weather, or in moist environment (after rain) or in close vicinity with easily flammable liquids and gases. The working place should be well lit

## V - Know your product

Before using the power tool, familiarize yourself with all the operating features and safety requirements.

Use the tool and accessories only for the applications intended. All other applications are expressly ruled out.

1. Nut
2. Collet
3. Spindle
4. ON/OFF switch
5. Cord with plug
6. Electronic regulator of speed

## VI - Operation

This power tool is supplied from single-phase alternating current mains only. It is double insulated according to EN 60745-1 and IEC 60745 and can be connected to grounded or not grounded sockets. This power tool is radio suppressed in compliance with EMC Directive 2004/108/EC.

This power tool is designed for minor finish processing of metals, plastics and wood by means of abrasive wheels and HSS tools.

The straight grinder can be used for grinding, cleaning burrs and welds and polishing. It is designated to operate with grinding wheels allowing peripheral speed 45 m/s. Cylindrical collars Ø35 mm and Ø43 mm are shaped on the front of the machine for attaching handles or other accessories. Both models MKL 710CE and MKL 550E

are equipped with electronic regulator of rotation speed for choosing the optimum duty. Model MKL 710CE is equipped with electronic device for sustaining constant speed under load.

### PRIOR TO INITIAL OPERATION

- Make sure the power supply voltage corresponds to the value indicated on the name plate with technical data of the tool.
- Always check the position of ON/OFF switch. The power tool must be connected to the power supply socket only when this switch is in OFF position. If the plug is connected to a receptacle while the power switch is in the ON position, the power tool will start operating immediately, which could cause a serious accident.
- Make sure that the cord and the plug are in order. If the replacement of the supply cord is necessary, this has to be done by the manufacturer or his agent in order to avoid a safety hazard.



**WARNING:** Always switch off and unplug the power tool prior to any adjustment, servicing or maintenance or in case of mains drop-out.

### SWITCHING ON - SWITCHING OFF

- Switching on: push the slider of ON/OFF switch 4 forward until its front end will sag, thus fixing itself, and the symbol "I" will appear.
- Switching off: press the back, lifted end of the switch 4 and release it to move back in its initial position, thus revealing the symbol "O".



**WARNING:** In case ambient temperature is lower than 0°C the grinder must be switched on only in "G" position of the speed electronic regulator. After several minutes operation at no-load the grinder can be used also in the rest regulator positions.

Do not cover ventilation slots with hand during operation.

### COLLET REPLACEMENT

To replace collet 2, take off nut 1 from spindle 3 and then move out the collet forward. Before mounting the collet it is necessary to clean the collet and the spindle aperture.



## MOUNTING THE GRINDING WHEEL

Insert the wheel shank into the collet. By means of open end spanner S17 hold spindle 2 and tighten nut 1 by spanner S17. Use only undamaged spanners, otherwise there exists a danger of injuring the nut. Make sure the wheel shank diameter corresponds to the collet aperture. Tighten the grinding tools as deep as possible into the collet. Dimension I<sub>0</sub> should not exceed a value dependent on grinding tool dimensions (refer to fig.1 and table 1).

Table 1

d <sub>1</sub> , mm	b, mm	l <sub>2</sub> , mm	l <sub>0</sub> , mm
13	25	40	25
16	25	40	25
	32	40	15
	40	40	10
20	10	40	25
	20	40	20
	25	40	15
	32	40	5
	25	40	25
25	16	40	20
	20	40	15
	25	40	10
	25	40	10

## ADJUSTING THE ROTATION SPEED

The rotation speed can be varied smoothly from position A to G by turning electronic regulator 5, placed on the rear of the grinder.

## ACCESSORIES TO BE USED WITH THIS POWER TOOL

- Grinding wheel with Ø6 shank
- Grinding wheel with Ø8 shank
- Collet Ø6
- Collet Ø8

## VII - Maintenance



**WARNING:** Always ensure that the tool is switched off and unplugged before attempting to perform inspection or maintenance.

## BRUSH REPLACEMENT

This power tool is equipped with auto-stop brushes. When the carbon brushes are worn out, the machine switches itself off. In this case both brushes must be replaced simultaneously with genuine brushes at SPARKY service centre for warranty and post-warranty service.

## GENERAL INSPECTION

Regularly inspect all fasteners and ensure they are properly tightened. Should any of the screws be loose, retighten it immediately to avoid hazards.

If the replacement of the supply cord is necessary, this has to be done by the manufacturer or his agent in order to avoid a safety hazard.

## CLEANING

For safe operation always keep the machine and its ventilation slots clean.

Regularly check to see if any dust or foreign matter has entered the ventilation slots and the grills around the switches. Use a soft brush and/or air jet to remove any accumulated dust. Wear safety glasses to protect your eyes whilst cleaning.

Exterior plastic parts may be cleaned with a damp cloth and mild detergent if necessary.



**WARNING:** Never use alcohol, petrol or other cleaning agent. Never use caustic agents to clean plastic parts.



**WARNING:** Water must never come into contact with the tool.

**IMPORTANT!** To assure product safety and reliability, repairs, maintenance and adjustment (including brush inspection and replacement) should be performed by certified service centres or other qualified service organisations, always using genuine replacement parts.

## VIII - Warranty

---

The guarantee period for SPARKY power tools is determined in the guarantee card.

Faults due to normal wear, overloading or improper handling will be excluded from the guarantee.

Faults due to defective materials implemented as well as defects in workmanship will be corrected free of charge through replacement or repair.

The complaints for defective SPARKY power tools will be recognized if the machine is sent back to the dealer or is presented to the authorised warranty service centre undismantled, in its initial condition.

## Notes

---

Carefully read the entire Instruction before using this product.

The manufacturer reserves the right to make changes and improvements to the products and to alter specifications without prior notice.

Specifications may differ from country to country.

# Inhaltsverzeichnis

I - Einführung .....	9
II - Technische Daten.....	11
III - Allgemeine Sicherheitshinweise für Elektrowerkzeuge.....	12
IV - Zusätzliche Sicherheitshinweise für Arbeiten mit Geradschleifern.....	13
V - Elemente des Elektrowerkzeugs.....	A/14
VI - Arbeitshinweise.....	B/15
VII - Wartung .....	16
VIII - Garantie .....	17

## AUSPACKEN

Überprüfen Sie unmittelbar nach dem Auspacken ob sämtliche Bestandteile und das beschriebene Zubehör mitgeliefert wurden. Sollte dies nicht der Fall sein, wenden Sie sich bitte umgehend an Ihren Fachhändler bei dem das Elektrowerkzeug gekauft wurde. Dies trifft auch dann zu, wenn Sie den Eindruck haben mit dem Gerät ist etwas nicht in Ordnung. Eine Nichtbeachtung dieser Empfehlung kann zu schweren Unfällen führen.

## ZUSAMMENBAU

Der Geradschleifer wird verpackt und vollständig zusammengebaut geliefert, mit Ausnahme der Zange und der Mutter. Die Zange wird so gewählt, dass sie dem Durchmesser des Anschluss-Schaftes des Werkzeuges, das Sie gebrauchen werden, entspricht. Dann wird sie zusammen mit der Mutter an der Maschine montiert.

## I - Einführung

---

Das von Ihnen erworbene Elektrowerkzeug wird Ihre Erwartungen übersteigen. Es ist gemäß den hohen Qualitätsstandards von SPARKY hergestellt, die den strengen Anforderungen des Verbrauchers entsprechen. Einfach in der Bedienung und ungefährlich bei richtiger Handhabung, wird dieses Gerät bei bestimmungsgemäßem Gebrauch Ihnen lange Jahre zuverlässig dienen.

### WARNUNG!



Lesen Sie die ganze Originalbetriebsanleitung aufmerksam durch, bevor Sie das neu erworbene SPARKY – Elektrowerkzeug in Betrieb nehmen. Beachten Sie besonders die Texte, die mit dem Wört „Warnung“ beginnen. Ihr SPARKY - Elektrowerkzeug besitzt viele Eigenschaften, die Ihre Arbeit erleichtern werden. Bei der Entwicklung dieses Elektrowerkzeuges ist höchste Aufmerksamkeit der Sicherheit, den Betriebseigenschaften und der Zuverlässigkeit gewidmet worden, die es einfach zur Wartung und Bedienung machen.



### **Keine elektrischen Geräte zusammen mit dem Hausmüll wegwerfen!**

Die Abfälle von elektrischen Erzeugnissen sollen nicht zusammen mit dem Hausmüll gesammelt werden. Für eine umweltgerechte Entsorgung geben Sie Ihren alten / defekten Elektrogeräte bitte in der nächsten kommunalen Sammelstelle ab.

### UMWELTSCHUTZ



Angesichts des Umweltschutzes sollen das Elektrowerkzeug, die Zubehörteile und die Verpackung einer geeigneten Wiederverwertung zugeführt werden.

Zum sortenreinen Recycling sind die Teile, hergestellt aus Kunststoffen, entsprechend gekennzeichnet.

## BEDEUTUNG DER SYMBOLE

Auf dem Typenschild des Elektrowerkzeuges sind spezielle Symbole dargestellt. Sie stellen wichtige Information über das Produkt oder Instruktionen für seine Nutzung dar.



Doppelte Isolierung für zusätzlichen Schutz.



Konstantelektronik plus Elektronische Drehzahlvorwahl



Entspricht den einschlägigen Europäischen Richtlinien.



Entspricht den Anforderungen der russischen normativen Dokumente.



Entspricht den Anforderungen der ukrainischen normativen Dokumenten.




Lesen Sie die Originalbetriebsanleitung.

YYYY-Www    Zeitabschnitt der Produktion, wobei die variablen Symbole sind:  
YYYY - Kalenderjahr der Produktion,  
Www - laufende Kalenderwoche.

MKL            Geradschleifer.

## II - Technische Daten

Modell	MKL 550E	MKL 710CE
Nennaufnahme	550 W	710W
Leerlaufdrehzahl	10000-33000 min <sup>-1</sup>	10000-30000 min <sup>-1</sup>
Durchmesser der Spannzangenöffnung	Ø6 mm, Ø8 mm	Ø6 mm, Ø8 mm
Max. Durchmesser des Schleifkörpers	25 mm	25 mm
Gewicht (EPTA Verfahren 01/2003)	1,4 kg	1,4 kg
Schutzklasse (EN 60745-1) 	II	II
<b>GERÄUSCH-/VIBRATIONSinFORMATION</b>		
Messwerte ermittelt entsprechend EN 60745.		
<b>Geräuschemissionswerte</b>		
Der A-bewertete Schalldruckpegel L <sub>pA</sub>	81,0 dB (A)	78,0 dB (A)
Unsicherheit K <sub>pA</sub>	3,0 dB (A)	3,0 dB (A)
Der A-bewertete Schalleistungspegel L <sub>WA</sub>	92,0 dB (A)	89,0 dB (A)
Unsicherheit K <sub>WA</sub>	3,0 dB (A)	3,0 dB (A)
<b>Gehörschutz tragen!</b>		
<b>Schwingungsemissionswerte *</b>		
Schwingungsgesamtwerte (Vektorsumme dreier Richtungen) ermittelt entsprechend EN 60745:		
Schleifen von Oberflächen		
Schwingungsemissionswert a <sub>h</sub>	6,5 m/s <sup>2</sup>	6,0 m/s <sup>2</sup>
Unsicherheit K	1,5 m/s <sup>2</sup>	1,5 m/s <sup>2</sup>
* Messwerte ermittelt nach 6.2.7 EN 60745-1.		

Der in diesen Anweisungen angegebene Schwingungspegel ist entsprechend einem in EN 60745 genormten Messverfahren gemessen worden und kann für den Vergleich von Elektrowerkzeugen miteinander verwendet werden. Er eignet sich auch für eine vorläufige Einschätzung der Schwingungsbelastung.

Der angegebene Schwingungspegel repräsentiert die hauptsächlichen Anwendungen des Elektrowerkzeugs. Wenn allerdings das Elektrowerkzeug für andere Anwendungen, mit abweichenden Einsatzwerkzeugen oder ungenügender Wartung eingesetzt wird, kann der Schwingungspegel abweichen. Dies kann die Schwingungsbelastung über den gesamten Arbeitszeitraum deutlich erhöhen.

Für eine genaue Abschätzung der Schwingungsbelastung sollten auch die Zeiten berücksichtigt werden, in denen das Gerät abgeschaltet ist oder zwar läuft, aber nicht tatsächlich im Einsatz ist. Dies kann die Schwingungsbelastung über den gesamten Arbeitszeitraum deutlich reduzieren.

Pflegen Sie das Gerät und die Einsatzwerkzeuge mit Sorgfalt. Halten Sie Ihre Hände warm während der Arbeit – dies wird die schädliche Einwirkung erhöhter Schwingungen reduzieren.

Stäube von Materialien wie bleihaltigem Anstrich, einigen Holzarten, Mineralien und Metall können gesundheitsschädlich sein. Berühren oder Einatmen der Stäube können allergische Reaktionen und/oder Atemwegserkrankungen des Benutzers oder in der Nähe befindlicher Personen hervorrufen.

Bestimmte Stäube wie Eichen- oder Buchenstaub gelten als krebserzeugend, besonders in Verbindung mit Zusatzstoffen zur Holzbehandlung (Chromat, Holzschutzmittel). Asbesthaltiges Material darf nur von Fachleuten bearbeitet werden.

- Benutzen Sie möglichst eine Staubabsaugung.
- Um bei der Arbeit mit diesem Elektrowerkzeug ein gutes Staubabfangen zu gewährleisten, benutzen Sie einen Staubabsauger, der für Holzstaub oder für Holz- und mineralischen Staub bestimmt ist.
- Sorgen Sie für gute Belüftung des Arbeitsplatzes.
- Es wird empfohlen, eine Atemschutzmaske mit Filterklasse P2 zu tragen.

Beachten Sie in Ihrem Land gültige Vorschriften für die zu bearbeitenden Materialien.

# III - Allgemeine Sicherheitshinweise für Elektrowerkzeuge



**WARNUNG:** Lesen Sie alle Sicherheitshinweise und Anweisungen. Versäumnisse bei der Einhaltung der Sicherheitshinweise und Anweisungen können elektrischen Schlag, Brand und/oder schwere Verletzungen verursachen.

**Bewahren Sie alle Sicherheitshinweise und Anweisungen für die Zukunft auf.**

Der in den Sicherheitshinweisen verwendete Begriff „Elektrowerkzeug“ bezieht sich auf netzbetriebene Elektrowerkzeuge (mit Netzkabel) und auf akkubetriebene Elektrowerkzeuge (ohne Netzkabel).

## 1) Arbeitsplatzsicherheit

- a) Halten Sie Ihren Arbeitsbereich sauber und gut beleuchtet. Unordnung oder unbeleuchtete Arbeitsbereiche können zu Unfällen führen.
- b) Arbeiten Sie mit dem Elektrowerkzeug nicht in explosionsgefährdeter Umgebung, in der sich brennbare Flüssigkeiten, Gase oder Stäube befinden. Elektrowerkzeuge erzeugen Funken, die den Staub oder die Dämpfe entzünden können.
- c) Halten Sie Kinder und andere Personen während der Benutzung des Elektrowerkzeugs fern. Bei Ablenkung können Sie die Kontrolle über das Gerät verlieren.

## 2) Elektrische Sicherheit

- a) Der Anschlussstecker des Elektrowerkzeuges muss in die Steckdose passen. Der Stecker darf in keiner Weise verändert werden. Verwenden Sie keine Adapterstecker gemeinsam mit Schutzgeerdeten Elektrowerkzeugen. Unveränderte Stecker und passende Steckdosen verringern das Risiko eines elektrischen Schlages.
- b) Vermeiden Sie Körperkontakt mit geerdeten Oberflächen wie von Röhren, Heizungen, Herden und Kühlschränken. Es besteht ein erhöhtes Risiko durch elektrischen Schlag, wenn Ihr Körper geerdet ist.
- c) Halten Sie Elektrowerkzeuge von Regen oder Nässe fern. Das Eindringen von Wasser in ein Elektrowerkzeug erhöht das Risiko

ko eines elektrischen Schlages.

- d) **Zweckentfremden Sie das Kabel nicht, um das Elektrowerkzeug zu tragen, aufzuhängen oder um den Stecker aus der Steckdose zu ziehen. Halten Sie das Kabel fern von Hitze, Öl, scharfen Kanten oder sich bewegendem Geräteteilen. Beschädigte oder verwickelte Kabel erhöhen das Risiko eines elektrischen Schlages.**
- e) **Wenn Sie mit einem Elektrowerkzeug im Freien arbeiten, verwenden Sie nur Verlängerungskabel, die auch für den Außenbereich geeignet sind. Die Anwendung eines für den Außenbereich geeigneten Verlängerungskabels verringert das Risiko eines elektrischen Schlages.**
- f) **Wenn der Betrieb des Elektrowerkzeuges in feuchter Umgebung nicht vermeidbar ist, verwenden Sie einen Fehlerstromschutzschalter. Der Einsatz eines Fehlerstromschutzschalters vermindert das Risiko eines elektrischen Schlages.**

## 3) Sicherheit von Personen

- a) Seien Sie aufmerksam, achten Sie darauf, was Sie tun, und gehen Sie mit Vernunft an die Arbeit mit einem Elektrowerkzeug. Benutzen Sie kein Elektrowerkzeug, wenn Sie müde sind oder unter dem Einfluss von Drogen, Alkohol oder Medikamenten stehen. Ein Moment der Unachtsamkeit beim Gebrauch des Elektrowerkzeuges kann zu ernsthaften Verletzungen führen.
- b) Tragen Sie persönliche Schutzausrüstung und immer eine Schutzbrille. Das Tragen persönlicher Schutzausrüstung, wie Staubmaske, rutschfeste Sicherheitsschuhe, Schutzhelm oder Gehörschutz, je nach Art und Einsatz des Elektrowerkzeuges, verringert das Risiko von Verletzungen.
- c) **Vermeiden Sie eine unbeabsichtigte Inbetriebnahme. Vergewissern Sie sich, dass das Elektrowerkzeug ausgeschaltet ist, bevor Sie es an die Stromversorgung und/oder den Akku anschließen, es aufnehmen oder tragen. Wenn Sie beim Tragen des Elektrowerkzeuges den Finger am Schalter haben oder das Gerät eingeschaltet an die Stromversorgung anschließen, kann dies zu Unfällen führen.**
- d) **Entfernen Sie Einstellwerkzeuge oder Schraubenschlüssel, bevor Sie das Elektrowerkzeug einschalten. Ein Werkzeug oder Schlüssel, der sich in einem drehenden Geräteteil befindet, kann zu Verletzungen führen.**

- e) **Vermeiden Sie eine abnormale Körperhaltung.** Sorgen Sie für einen sicheren Stand und halten Sie jederzeit das Gleichgewicht. Dadurch können Sie das Elektrowerkzeug in unerwarteten Situationen besser kontrollieren.
- f) **Tragen Sie geeignete Kleidung.** Tragen Sie keine weite Kleidung oder Schmuck. Halten Sie Haare, Kleidung und Handschuhe fern von sich bewegenden Teilen. Lockere Kleidung, Schmuck oder lange Haare können von sich bewegenden Teilen erfasst werden.
- g) **Wenn Staubabsaug- und -auffangrichtungen montiert werden können, vergewissern Sie sich, dass diese angeschlossen sind und richtig verwendet werden.** Verwendung einer Staubabsaugung kann Gefährdungen durch Staub verringern.
- 4) Verwendung und Behandlung des Elektrowerkzeuges**
- a) **Überlasten Sie das Gerät nicht.** Verwenden Sie für Ihre Arbeit das dafür bestimmte Elektrowerkzeug. Mit dem passenden Elektrowerkzeug arbeiten Sie besser und sicherer im angegebenen Leistungsbereich.
- b) **Benutzen Sie kein Elektrowerkzeug, dessen Schalter defekt ist.** Ein Elektrowerkzeug, das sich nicht mehr ein- oder ausschalten lässt, ist gefährlich und muss repariert werden.
- c) **Ziehen Sie den Stecker aus der Steckdose und/oder entfernen Sie den Akku, bevor Sie Geräteeinstellungen vornehmen, Zubehörteile wechseln oder das Gerät weglegen.** Diese Vorsichtsmaßnahme verhindert den unbeabsichtigten Start des Elektrowerkzeuges.
- d) **Bewahren Sie unbenutzte Elektrowerkzeuge außerhalb der Reichweite von Kindern auf.** Lassen Sie Personen das Gerät nicht benutzen, die mit diesem nicht vertraut sind oder diese Anweisungen nicht gelesen haben. Elektrowerkzeuge sind gefährlich, wenn Sie von unerfahrenen Personen benutzt werden.
- e) **Pflegen Sie Elektrowerkzeuge mit Sorgfalt.** Kontrollieren Sie, ob bewegliche Teile einwandfrei funktionieren und nicht klemmen, ob Teile gebrochen oder so beschädigt sind, dass die Funktion des Elektrowerkzeuges beeinträchtigt ist.

Lassen Sie beschädigte Teile vor dem Einsatz des Gerätes reparieren. Viele Unfälle haben ihre Ursache in schlecht gewarteten Elektrowerkzeugen.

- f) **Halten Sie Schneidwerkzeuge scharf und sauber.** Sorgfältig gepflegte Schneidwerkzeuge mit scharfen Schneidkanten verklemmen sich weniger und sind leichter zu führen.
- g) **Verwenden Sie Elektrowerkzeug, Zubehör, Einsatzwerkzeuge usw. entsprechend diesen Anweisungen.** Berücksichtigen Sie dabei die Arbeitsbedingungen und die auszuführende Tätigkeit. Der Gebrauch von Elektrowerkzeugen für andere als die vorgesehenen Anwendungen kann zu gefährlichen Situationen führen.
- 5) Service**
- a) **Lassen Sie Ihr Elektrowerkzeug nur von qualifiziertem Fachpersonal und nur mit Original-Ersatzteilen reparieren.** Damit wird sichergestellt, dass die Sicherheit des Elektrowerkzeuges erhalten bleibt.

## IV – Zusätzliche Sicherheitshinweise für Arbeiten mit Geradschleifern

- Halten Sie das Gerät nur an den isolierten Griffflächen, wenn Sie Arbeiten ausführen, bei denen das Einsatzwerkzeug verborgene Stromleitungen oder das eigene Netzkabel treffen kann. Der Kontakt mit einer spannungsführenden Leitung kann auch metallene Geräteteile unter Spannung setzen und zu einem elektrischen Schlag führen.
- Immer Schutzbrille und Gehörschutz tragen, Staubmaske verwenden. Der während der Arbeit entstandene Staub und abrasive Teilchen können Ihre Gesundheit schädigen.



**! WARNUNG:** Bevor Sie das Elektrogerät an das Stromnetz anschließen, überzeugen Sie sich, dass die Versorgungsspannung der angegebenen Spannung auf der Tabelle mit den technischen Daten (auf dem Typenschild) des Elektrogeräts entspricht.

- Eine Stromquelle mit Spannung, höher als die auf dem Typenschild angegebene Spannung, kann ernste Verletzung durch Stromschlag sowie auch Schädigung des Elektrowerkzeuges verursachen.

- Falls Sie nicht sicher sind, den Stecker des Elektrogerätes nicht in die Steckdose stecken.
- Die Verwendung einer Stromquelle mit Spannung, niedriger als die Spannung, angegeben auf dem Typenschild des Elektrowerkzeuges, wird den Motor beschädigen.



**WARNUNG:** Vor Durchführung von jeglichen Einstellungen, Reparaturen oder Wartung das Elektrowerkzeug ausschalten und den Stecker aus der Steckdose ziehen.

- Nach längerem Betrieb können sich die Außenmetallteile und Zubehör erwärmen. Berühren Sie nicht das Arbeitswerkzeug oder das bearbeitete Werkstück sofort nach der Arbeit – sie können zu heiß sein und Ihnen eine Hautverbrennung zufügen.
- Halten Sie die Hände von den sich drehenden Teilen während der Arbeit fern.
- Nach Möglichkeit immer Klemmen oder Schraubstock zur Befestigung des zu bearbeitenden Werkstückes verwenden.
- Die Schleifmaschine immer ausschalten und abwarten, bis die Drehung aufhört, bevor Sie sie zur Seite stellen.
- Die Maschine nicht überlasten. Mit mäßigem Druck arbeiten. Die Überlastung ist Ergebnis von der Anwendung eines zu hohen Druckes, wobei der Motor seine Drehung verlangsamt; das ist eine Voraussetzung für ineffektive Arbeit und eventuelle Störung des Motors der Maschine.
- Nie Lappen, Schnüre und ähnliches in der Arbeitszone liegen lassen.
- Vor dem Gebrauch des Elektrowerkzeuges sollten Sie es eine gewisse Zeit im Leerlauf laufen lassen. Während der Arbeit sollte sich das Elektrowerkzeug in einem Abstand von mindestens 200 mm vom Gesicht und vom Körper befinden.
- Immer stabile Körperhaltung einnehmen. Wenn Sie mit dem Elektrowerkzeug z. B. auf einer Leiter Höhe arbeiten, stellen sie immer sicher, dass sich niemand darunter befindet.
- Das Elektrowerkzeug fest halten.
- Das Elektrowerkzeug nur bestimmungsgemäß verwenden. Jeder anderer Gebrauch, anders als der in dieser Anleitung beschriebenen gilt als nicht bestimmungsgemäß. Die Haftung für Schäden oder Verletzungen in diesem Fall trägt der Betreiber und nicht der Hersteller.
- Um dieses Elektrowerkzeug richtig zu verwenden, sollen Sie die Sicherheitshinweise,

die Montageanweisungen und die Bedienungsanleitung, beschrieben in diesem Dokument, einhalten. Alle Personen, die diese Maschine verwenden oder bedienen, sollen diese Anweisungen gut kennen und über die möglichen Gefahren, verbunden mit diesem Elektrowerkzeug informiert werden. Kindern und körperlich schwachen Personen ist die Arbeit mit diesem Elektrowerkzeug untersagt. Wenn sich Kinder in der Arbeitszone befinden, sollen sie unter ständiger Kontrolle sein. Unbedingt sind auch die Sicherheitshinweise, die in Ihrem Land gültig sind, zu beachten. Dasselbe gilt für die Grundregeln für den professionelle Arbeitsschutz und die Sicherheitstechnik.

- Der Hersteller haftet nicht für vom Verbraucher vorgenommene Änderungen am Elektrowerkzeug oder für Defekte, verursacht durch solche Änderungen.

Sogar wenn das Elektrowerkzeug bestimmungsgemäß verwendet wird, ist es nicht möglich, alle anderen Risikofaktoren zu eliminieren. Es können folgende Gefahren, verbunden mit der Konstruktion und dem Design des Elektrowerkzeuges entstehen:

- Gehörstörungen, falls kein Gehörschutz getragen wird.
- Vor der Durchführung von jeglichen Einstellungen, einschl. auch Austauschs der Zubehörteilen, immer den Stecker aus der Steckdose ziehen.
- Das Elektrowerkzeug soll nicht im Freien beim Regenwetter, in feuchter Umgebung (nach dem Regen) oder in der Nähe von leicht brennbaren Flüssigkeiten und Gasen verwendet werden. Der Arbeitsplatz soll gut beleuchtet sein.

## V – Elemente des Elektrowerkzeugs

Vor dem Beginn der Arbeit mit dem Elektrowerkzeug machen Sie sich mit allen operativen Besonderheiten und Sicherheitsbedingungen bekannt.

Benutzen Sie das Elektrowerkzeug und das Zubehör dazu nur zweckmäßig. Jede andere Anwendung ist ausdrücklich verboten.

1. Mutter
2. Spannzange
3. Spindel
4. Schalter
5. Kabel mit Stecker
6. Elektronischer Drehzahlregler



## VI - Arbeitshinweise

Dieses Elektrowerkzeug wird mit einphasiger Wechselspannung versorgt. Man kann es an Kontaktsteckdosen ohne Schutzklemmen anschließen. Es ist nach EN 60745-1 und IEC 60745 doppelt isoliert. Die Funkstörungen entsprechen der EMV-Richtlinie 2004/108/EG zur Elektromagnetischen Verträglichkeit.

Diese Elektrowerkzeuge sind für kleine Schlussbearbeitungen von Werkstücken aus Holz, Metall, Kunststoff mittels abschleifenden Werkzeugen und Werkzeugen aus Schnellschnittstahl bestimmt.

Der Geradschleifer kann zum Schleifen, Reinigung von Schweißnähten und Polieren benutzt werden. Sie arbeitet mit Schleifkörpern, die eine Drehgeschwindigkeit von 45 m/s erlauben. An der Vorderseite des Geradschleifers befinden sich zwei zylindrische Anschlußhülse Ø35 mm und Ø43 mm zum Befestigen von Zusatzgriff und anderen Vorrichtungen. Die Modelle MKL 710CE und MKL 550E verfügen über einen elektronischen Drehzahlregler zum Wählen des optimalen Arbeitsregimes. Modell MKL 710CE verfügt über Konstantelektronik zur Unterhaltung beständiger Drehzahl unter Last.

### VOR DEM ARBEITSBEGINN

- Überprüfen Sie ob die Spannung des Versorgungsnetzes der auf dem Typenschild mit den technischen Daten des Elektrowerkzeuges angegebenen Spannung entspricht.
- Überprüfen Sie in welcher Stellung der sich Schalter befindet. Das Gerät darf nur ausgeschaltet ans Netz angeschlossen und vom Netz getrennt werden. Falls Sie den Netzstecker in die Steckdose stecken wenn das Gerät eingeschaltet ist wird es sofort beginnen anzulaufen was die Voraussetzung für einen schweren Unfall sein kann.
- Überzeugen Sie sich vom ordnungsgemäßen Zustand des Versorgungskabels und des Steckers. Falls das Versorgungskabel beschädigt ist, darf es nur vom Hersteller oder einem autorisierten Servicefachmann ausgetauscht werden um eventuelle Gefährdungen zu vermeiden.



**WARNUNG:** Schalten Sie vor jeder Einstellung, Bedienung oder Wartung, so wie auch bei einem Stromausfall immer das Elektrowerkzeug aus und ziehen Sie den Stecker aus der Steckdose.

### EIN- UND AUSSCHALTEN

- Einschalten: Den Schalter 4 nach vorn schieben bis sein Vorderteil einrastet und das Zeichen „I“ erscheint.
- Ausschalten: Den hinteren, angehobenen Teil des Schalters 4 drücken und von selbst in Ursprungsstellung gleiten lassen, wobei das Zeichen „O“ erscheint.



**WARNUNG:** Bei einer Außentemperatur von weniger als 0°C wird der Geradschleifer nur in Stellung „G“ des elektronischen Drehzahlreglers eingeschaltet. Nach einigen Minuten Arbeit im Leerlauf darf die Maschine auch bei den anderen Reglereinstellungen benutzt werden.

Während der Arbeit darauf achten, dass die Lüftungsöffnungen mit der Hand nicht verschlossen werden.

### AUSWECHSELN DER SPANNZANGE

Die Spannzange 2 wird ausgewechselt, indem die Mutter 1 von der Spindel 3 abschraubt und die Spannzange herausgezogen wird. Vor dem Anbringen der Spannzange sollen sie und die Spindelöffnung gesäubert werden.

### BEFESTIGUNG DER SCHLEIFKÖRPER

Die Schleifkörperschaft in die Spannzange hineinschieben. Die Spindel 3 mit dem Schraubenschlüssel S17 festhalten und die Mutter 1 mit dem Schlüssel S17 festdrehen. Nur fehlerfreie Schraubenschlüssel verwenden, sonst besteht die Gefahr, dass die Mutter beschädigt wird. Der Durchmesser der Schleifkörperschaft muss der Zangenöffnung entsprechen. Die Schleifkörper so tief wie möglich in die Spannzange festdrehen. Die freie Länge l0 darf einen bestimmten Wert, der von der Größe des Schleifkörpers abhängt, nicht überschreiten (s. Abb.1 und Tabelle1).

Tabelle 1

d <sub>1</sub> , mm	b, mm	l <sub>2</sub> , mm	l <sub>0</sub> , mm
13	25	40	25
16	25	40	25
	32	40	15
	40	40	10
20	10	40	25
	20	40	20
	25	40	15
	32	40	5
25	10	40	25
	16	40	20
	20	40	15
	25	40	10

### ELEKTRONISCHE DREHZAHLE- REG- LUNG

Die Drehzahl wird von A bis G durch gleichmäßiges Drehen am Potentiometer des elektronischen Drehzahlreglers 5 eingestellt, der sich am hinteren Teil des Motordeckels befindet.

### ZUBEHÖR, DAS MIT DIESEM ELEKT- ROGERÄT BENUTZT WERDEN KANN

- Schleifwerkzeug mit Schaft Ø6
- Schleifwerkzeug mit Schaft Ø8
- Spannzange Ø6
- Spannzange Ø8

## VII - Wartung



**WARNUNG:** Vor jeder Wartung oder Überprüfung das Elektrowerkzeug immer ausschalten und den Stecker aus der Steckdose ziehen.

### AUSWECHSELN DER BÜRSTEN

Das Elektrowerkzeug ist mit Selbstausschaltenden Bürsten ausgerüstet. Wenn die Bürsten abgenutzt sind, schaltet sich die Maschine von selbst aus. In solchem Fall sollen beide Bürsten gleichzeitig durch Originalbürsten im SPARKY – Kundendienst ausgewechselt werden.

### ALLGEMEINE ÜBERPRÜFUNG

Überprüfen Sie regelmäßig alle Befestigungselemente um sich zu überzeugen, dass sie fest angezogen sind. Falls einige der Schrauben lose sind, sofort festziehen, um Risikosituationen zu vermeiden.

Im Falle eines beschädigten Netzkabels soll der Austausch durch den Hersteller oder seinen Servicefachmann vorgenommen werden, um die Risiken die bei einem Austausch entstehen können zu vermeiden.

### REINIGUNG

Für den sicheren Betrieb die Maschine und die Belüftungsöffnungen immer sauber halten. Regelmäßig überprüfen, ob in die Belüftungsöffnungen des Motors oder um die Umschalter Staub oder Fremdkörper eingedrungen sind. Weiche Bürste und/oder Druckluft für die Entfernung des Staubes verwenden. Um die Augen während der Reinigung zu schützen, Schutzbrille tragen.

Das Gehäuse der Maschine gegebenenfalls mit einem weichen feuchten Tuch abwischen. Hierfür kann zusätzlich eine schwache Reinigungslösung (Spülmittel) verwendet werden.



**WARNUNG:** Die Verwendung von Benzin oder anderen Lösungsmitteln ist unzulässig. Nie ätzende Präparate für die Reinigung der Kunststoffteile verwenden.



**WARNUNG:** Vermeiden Sie unbedingt das Wasser in die Maschine (z.B. durch die Lüftungsschlitze) eindringt.

**WICHTIG!** Um einen sicheren Betrieb des Elektrowerkzeuges und seine Zuverlässigkeit zu gewährleisten, sollten alle Arbeiten zur Reparatur, Wartung und Regelung (einschl. auch die Überprüfung und das Auswechseln der Bürsten) nur in den zuständigen Kundendiensten von SPARKY beim Verwenden von Originalersatzteilen durchgeführt werden.

## VIII - Garantie

---

Die Garantiefrist der SPARKY-Elektrowerkzeuge wird im Garantieschein bestimmt.

Schäden, die auf natürliche Abnutzung, Überlastung oder unsachgemäße Handhabung zurückzuführen sind, bleiben von der Garantie ausgeschlossen.

Schäden, die durch Material- und/oder Herstellerfehler entstanden sind, werden unentgeltlich durch Ersatzlieferung oder Reparatur beseitigt. Beanstandungen bezüglich eines beschädigten SPARKY-Elektrowerkzeugs können nur anerkannt werden, wenn das Gerät unzerlegt (im ursprünglichen Zustand) dem Lieferanten oder der befugten Kundendienstwerkstatt vorgelegt wird.

## Hinweise

---

Lesen Sie sorgfältig die ganze Betriebsanweisung bevor Sie beginnen, das Erzeugnis zu verwenden.

Der Hersteller behält sich das Recht vor, Verbesserungen und Änderungen in seinen Erzeugnissen einzuführen und die Spezifikationen ohne Voranmeldung zu ändern.

Die Spezifikationen können sich in den verschiedenen Ländern unterscheiden.

# Sommaire

I – Introduction .....	18
II – Données techniques .....	20
III – Avertissements de sécurité généraux pour l'outil.....	21
IV – Instructions supplémentaires de sécurité lors du travail avec une meuleuse droite .....	22
V – Présentation de la machine .....	A/23
VI – Indications de travail .....	B/24
VII – Maintenance .....	25
VIII – Garantie .....	26

## DEBALLAGE

Grâce aux techniques modernes de fabrication, il est improbable que votre outil soit défectueux ou qu'une pièce soit manquante. Si toutefois vous trouvez une anomalie, n'utilisez pas l'outil avant que les pièces aient été remplacées ou le défaut corrigé. Ne pas observer cette règle pourrait causer des blessures graves.

## MONTAGE

La meuleuse droite est fournie emballée et entièrement montée à l'exception de la pince de serrage et de l'écrou. La pince de serrage est choisie de façon à correspondre au diamètre de la queue de raccordement de l'instrument que vous allez utiliser, puis elle est montée avec l'écrou sur la machine.

## I - Introduction

---

Votre nouvel outil a été conçu et produit selon tous les standards de qualité pour répondre aux exigences les plus élevées. Son exploitation est facile et sécurisée. Et avec une utilisation correcte il vous servira longtemps.

### AVERTISSEMENT!



Lire attentivement cette notice originale avant d'utiliser votre nouvel outil. Prêter attention aux sections «Avertissement». Votre outil électrique possède des caractéristiques qui facilitent votre travail.

Cet instrument a été conçu et produit selon toutes les exigences de sécurité pour que son usage et son entretien soient faciles.



### **Ne pas jeter les outils électroportatifs avec les ordures ménagères!**

Les déchets provenant d'outils électroportatifs ne doivent pas être ramassés avec les ordures ménagères. Prière de recycler sur les lieux qui y sont spécialement destinés. Contacter les autorités locales ou un représentant pour des consultations concernant le recyclage.

### RESPECT DE L'ENVIRONNEMENT



Récupération des matières premières plutôt qu'élimination des déchets. En vue à la protection de l'environnement, les appareils, comme d'ailleurs leurs accessoires et emballages, doivent pouvoir suivre chacun une voie de recyclage appropriée. Nos pièces en matières artificielles ont été marquées en vue d'un recyclage sélectif des différents matériaux.

## LÉGENDE

L'outil électrique porte une plaque décrivant les signes spéciaux. Ils apportent une information importante quant au produit ou des instructions d'utilisation.



Double isolation pour une meilleure sécurité.



Vitesse électronique constante et variateur électronique de la vitesse avec présélection par molette



Conforme aux directives européennes applicables.



En conformité avec les exigences des standards Russes.



En conformité avec les exigences des standards ukrainiens.



Lisez la notice originale.


YYYY-Www Période de production, où, les symboles variables sont les suivants :

YYYY - année de production,

Www – le numéro de la semaine du calendrier.

MKL Meuleuse droite.

## II - Données techniques

Modèle	MKL 550E	MKL 710CE
Puissance consommée	550 W	710W
Vitesse de rotation à vide	10000-33000 min <sup>-1</sup>	10000-30000 min <sup>-1</sup>
Diamètre de la pince de serrage	Ø6 mm, Ø8 mm	Ø6 mm, Ø8 mm
Diamètre maximal de l'ouverture du corps de meulage	25 mm	25 mm
Poids (EPTA procédure 01/2003)	1,4 kg	1,4 kg
Classe de protection (EN 60745-1) 	II	II
<b>INFORMATIONS SUR LES BRUITS ET LES VIBRATIONS</b>		
Valeurs de mesure obtenues conformément à la EN 60745.		
<b>Informations sur le bruit</b>		
Le mesure réelle (A) de niveau de pression acoustique L <sub>pA</sub>	81,0 dB (A)	78,0 dB (A)
Incertitude K <sub>pA</sub>	3,0 dB (A)	3,0 dB (A)
Le mesure réelle (A) de niveau d'intensité acoustique L <sub>wA</sub>	92,0 dB (A)	89,0 dB (A)
Incertitude K <sub>wA</sub>	3,0 dB (A)	3,0 dB (A)
<b>Porter une protection acoustique!</b>		
<b>Informations sur les vibrations *</b>		
Valeurs totales des vibrations (somme vectorielle de trois sens) établies conformément à EN 60745:		
Meulage de surfaces		
Valeur d'émission vibratoire a <sub>h</sub>	6,5 m/s <sup>2</sup>	6,0 m/s <sup>2</sup>
Incertitude K	1,5 m/s <sup>2</sup>	1,5 m/s <sup>2</sup>
* Les valeurs des vibrations sont déterminées conformément à la 6.2.7 EN 60745-1.		

L'amplitude d' l'accélération indiquée dans ces instructions d'utilisation a été mesurée suivant les méthodes de mesurage conformément à la norme EN 60745 et peut être utilisée pour une comparaison d'appareils. Le niveau de vibration peut être utilisé pour faire une estimation provisoire du degré d'influence vibratoire.

Le niveau de vibration annoncé concerne la fonction principale de l'outil. Dans des cas où l'outil est destinée à une autre utilisation ou avec d'autres accessoires, ou s'il est mal entretenu, le niveau de vibration peut s'écarter de celui qui a été indiqué. Si c'est le cas, le degré d'influence peut fortement augmenter au cours de l'utilisation

Pour une estimation précise de l'influence vibratoire pendant un certain temps d'utilisation, il est recommandé de prendre aussi en considération les espaces de temps pendant lesquels l'appareil est éteint ou sous tension, mais pas vraiment utilisé. Ceci peut réduire considérablement l'influence vibratoire pendant toute la durée du travail.

Entretenez l'outil et ses accessoires en bon état. Gardez vos mains chaudes au cours de son utilisation – cela va diminuer les conséquences négatives lorsque vous travaillez à des hauts degrés de vibrations.

Les poussières de matériaux tels que peintures contenant du plomb, certains bois, minéraux ou métaux, peuvent être nuisibles à la santé. Toucher ou aspirer les poussières peut entraîner des réactions allergiques et/ou des maladies respiratoires auprès de l'utilisateur ou de personnes se trouvant à proximité.

Certaines poussières telles que les poussières de chêne ou de hêtre sont considérées cancérigènes, surtout en connexion avec des additifs pour le traitement de bois (chromate, lazure). Les matériaux contenant de l'amiante ne doivent être travaillés que par des personnes qualifiées.

- Si possible, utilisez une aspiration des poussières.
- Afin d'atteindre un haut degré d'aspiration de la poussière, lors du travail avec cet outil électroportatif utilisez un aspirateur spécialement adapté pour l'aspiration de poussière de bois ou pour l'aspiration de poussière de bois et/ou poussière de minéraux.

- Veillez à bien aérer la zone de travail.
  - Il est recommandé de porter un masque respiratoire de la classe de filtre P2.
- Respectez les règlements en vigueur dans votre pays spécifiques aux matériaux à traiter.

### III - Avertissements de sécurité généraux pour l'outil



**AVERTISSEMENT!** Lire tous les avertissements de sécurité et toutes les instructions. Ne pas suivre les avertissements et instructions peut donner lieu à un choc électrique, un incendie et/ou une blessure sérieuse.

**Conserver tous les avertissements et toutes les instructions pour pouvoir s'y reporter ultérieurement.**

Le terme «outil» dans les avertissements fait référence à votre outil électrique alimenté par le secteur (avec cordon d'alimentation) ou votre outil fonctionnant sur batterie (sans cordon d'alimentation).

#### 1) Sécurité de la zone de travail

- Conserv**er la zone de travail propre et bien éclairée. Les zones en désordre ou sombres sont propices aux accidents.
- Ne pas faire fonctionner les outils électriques en atmosphère explosive, par exemple en présence de liquides inflammables, de gaz ou de poussières.** Les outils électriques produisent des étincelles qui peuvent enflammer les poussières ou les fumées.
- Maintenir les enfants et les personnes présentes à l'écart pendant l'utilisation de l'outil.** Les distractions peuvent vous faire perdre le contrôle de l'outil.

#### 2) Sécurité électrique

- Il faut que les fiches de l'outil électrique soient adaptées au socle. Ne jamais modifier la fiche de quelque façon que ce soit. Ne pas utiliser d'adaptateurs avec des outils à branchement de terre.** Des fiches non modifiées et des socles adaptés réduiront le risque de choc électrique.
- Eviter tout contact du corps avec des surfaces reliées à la terre telles que les tuyaux, les radiateurs, les cuisinières et les réfrigérateurs.** Il existe un risque accru de choc électrique si votre corps est relié à

la terre.

- Ne pas exposer les outils à la pluie ou à des conditions humides.** La pénétration d'eau à l'intérieur d'un outil augmentera le risque de choc électrique.
  - Ne pas maltraiter le cordon. Ne jamais utiliser le cordon pour porter, tirer ou débrancher l'outil. Maintenir le cordon à l'écart de la chaleur, du lubrifiant, des arêtes ou des parties en mouvement.** Des cordons endommagés ou emmêlés augmentent le risque de choc électrique.
  - Lorsqu'on utilise un outil à l'extérieur, utiliser un prolongateur adapté à l'utilisation extérieure.** L'utilisation d'un cordon adapté à l'utilisation extérieure réduit le risque de choc électrique.
  - Si l'usage d'un outil dans un emplacement humide est inévitable, utiliser une alimentation protégée par un dispositif à courant différentiel résiduel (RCD).** L'usage d'un RCD réduit le risque de choc électrique.
- #### 3) Sécurité des personnes
- Rester vigilant, regarder ce que vous êtes en train de faire et faire preuve de bon sens dans votre utilisation de l'outil. Ne pas utiliser un outil lorsque vous êtes fatigué ou sous l'emprise de drogues, d'alcool ou de médicaments.** Un moment d'inattention en cours d'utilisation d'un outil peut entraîner des blessures graves des personnes.
  - Utiliser un équipement de sécurité. Toujours porter une protection pour les yeux.** Les équipements de sécurité tels que les masques contre les poussières, les chaussures de sécurité antidérapantes, les casques ou les protections acoustiques utilisés pour les conditions appropriées réduiront les blessures de personnes.
  - Eviter tout démarrage intempestif. S'assurer que l'interrupteur est en position arrêt avant de brancher l'outil au secteur et/ou au bloc de batteries, de le ramasser ou de le porter.** Porter les outils en ayant le doigt sur l'interrupteur ou brancher des outils dont l'interrupteur est en position marche est source d'accidents.
  - Retirer toute clé de réglage avant de mettre l'outil en marche. Une clé laissée fixée**

sur une partie tournante de l'outil peut donner lieu à des blessures de personnes.

- e) **Ne pas se précipiter. Garder une position et un équilibre adaptés à tout moment.** Cela permet un meilleur contrôle de l'outil dans des situations inattendues.
- f) **S'habiller de manière adaptée. Ne pas porter de vêtements amples ou de bijoux. Garder les cheveux, les vêtements et les gants à distance des parties en mouvement.** Des vêtements amples, des bijoux ou les cheveux longs peuvent être pris dans des parties en mouvement.
- g) **Si des dispositifs sont fournis pour le raccordement d'équipements pour l'extraction et la récupération des poussières, s'assurer qu'ils sont connectés et correctement utilisés.** Utiliser des collecteurs de poussière peut réduire les risques dus aux poussières.

#### 4) Utilisation et entretien de l'outil

- a) **Ne pas forcer l'outil. Utiliser l'outil adapté à votre application.** L'outil adapté réalisera mieux le travail et de manière plus sûre au régime pour lequel il a été construit.
- b) **Ne pas utiliser l'outil si l'interrupteur ne permet pas de passer de l'état de marche à arrêt et vice versa.** Tout outil qui ne peut pas être commandé par l'interrupteur est dangereux et il faut le réparer.
- c) **Débrancher la fiche de la source d'alimentation en courant et/ou le bloc de batteries de l'outil avant tout réglage, changement d'accessoires ou avant de ranger l'outil.** De telles mesures de sécurité préventives réduisent le risque de démarrage accidentel de l'outil.
- d) **Conservé les outils à l'arrêt hors de la portée des enfants et ne pas permettre à des personnes ne connaissant pas l'outil ou les présentes instructions de le faire fonctionner.** Les outils sont dangereux entre les mains d'utilisateurs novices.
- e) **Observer la maintenance de l'outil. Vérifier qu'il n'y a pas de mauvais alignement ou de blocage des parties mobiles, des pièces cassées ou toute autre condition pouvant affecter le fonctionnement de l'outil. En cas de dommages, faire réparer l'outil avant de l'utiliser.** De nombreux accidents sont dus à des outils mal entretenus.
- f) **Garder affûtés et propres les outils permettant de couper.** Des outils destinés à couper correctement entretenus avec des pièces coupantes tranchantes sont moins

susceptibles de bloquer et sont plus faciles à contrôler.

- g) **Utiliser l'outil, les accessoires et les lames etc., conformément à ces instructions, en tenant compte des conditions de travail et du travail à réaliser.** L'utilisation de l'outil pour des opérations différentes de celles prévues pourrait donner lieu à des situations dangereuses.
- #### 5) Maintenance et entretien
- a) **Faire entretenir l'outil par un réparateur qualifié utilisant uniquement des pièces de rechange identiques.** Cela assurera que la sécurité de l'outil est maintenue.

## IV – Instructions supplémentaires de sécurité lors du travail avec une meuleuse droite

- **Tenir l'outil uniquement par les surfaces de préhension isolantes, pendant les opérations au cours desquelles l'accessoire coupant peut être en contact avec des conducteurs cachés ou avec son propre câble.** Le contact de l'accessoire coupant avec un fil „sous tension” peut également mettre „sous tension” les parties métalliques exposées de l'outil électrique et provoquer un choc électrique sur l'opérateur.
- **Portez toujours des lunettes de protection et une protection antibruit, de même qu'un masque de protection contre la poussière.** La poussière et les particules abrasives qui se détachent pendant le travail représentent un danger grave pour votre santé.



**AVERTISSEMENT:** Avant de brancher l'alimentation de la machine vérifier la conformité de la tension du réseau avec les données indiquées sur le tableau signalétique de la machine.

- Une source de courant à tension plus élevée que celle indiquée pour l'outil peut causer à l'opérateur de sérieux dommages dus au courant électrique et en outre endommager l'outil.
- Si vous avez des hésitations à ce sujet, ne branchez pas l'outil au réseau électrique.
- L'utilisation d'une source d'alimentation à tension plus basse que celle indiquée sur la pla-



quette de l'outil électroportatif endommagera le moteur électrique.



**AVERTISSEMENT:** Arrêtez toujours l'appareil et débranchez-le du réseau avant d'effectuer sur celui-ci tout réglage et opération de service ou d'entretien, de même qu'en cas de baisse de tension du courant dans le secteur.

- A la suite d'un long travail, les parties métalliques extérieures et les accessoires peuvent devenir très chauds. Ne touchez pas l'outil de travail ou la pièce traitée immédiatement après la fin du travail: ils peuvent être très chauds et vous risquez de vous brûler.
- Veillez à ce que vos mains n'entrent pas en contact avec les pièces en rotation.
- Chaque fois que possible, utilisez des dispositifs de fixation ou un étai pour fixer la pièce traitée.
- Débranchez toujours la meuleuse et attendez l'arrêt de la rotation de l'arbre avant de mettre l'appareil de côté.
- Ne surchargez pas l'appareil: travaillez en exerçant une pression moyenne. La surcharge est causée par l'application d'une pression trop forte lors de laquelle le moteur électrique ralentit sa vitesse de rotation, ce qui crée des conditions de fonctionnement inefficace et peut éventuellement endommager le moteur de l'appareil.
- Ne jamais laisser trainer dans la zone de travail des chiffons, des fils, de l'étope, etc.
- Avant d'utiliser l'outil électroportatif sur une pièce concrète, mettez-le en marche et laissez-le fonctionner à vide un certain temps.
- Pendant le travail, l'instrument doit se trouver à au moins 200 mm de votre visage et de votre corps.
- Gardez toujours votre corps dans un équilibre stable. Lorsque vous travaillez avec l'appareil à un endroit élevé, assurez-vous qu'au-dessous de vous il n'y a personne.
- Tenez l'appareil fermement en mains.
- L'appareil doit être utilisé uniquement pour les travaux pour lesquels il a été prévu. Toute autre utilisation, différente que celle décrite dans la présente instruction, doit être considérée comme abusive. Le producteur décline toute responsabilité en cas de dommage ou de blessure causée par une utilisation abusive, cette responsabilité étant alors entièrement portée par l'utilisateur.
- Afin de utiliser l'appareil correctement, vous devez respecter les consignes de sécurité,

les instructions concernant le montage et celles concernant l'exploitation qui figurent dans le présent document. Toute personne qui utilise ou entretient l'appareil doit bien connaître la présente instruction et être informée sur les dangers potentiels liés à son utilisation. Il est interdit aux enfants et aux personnes n'ayant pas une force physique suffisante d'utiliser l'appareil. Les enfants se trouvant dans la zone de travail doivent être sous une surveillance incessante. Vous devez obligatoirement respecter les consignes de sécurité en vigueur dans votre pays. Ceci est également valable pour les consignes concernant la salubrité du travail et la sécurité technique.

- Le producteur décline toute responsabilité en cas de modifications apportées à l'appareil qui ont endommagées celui-ci.

Même lorsque l'appareil est utilisé dans le strict respect des consignes, il n'est pas possible d'éliminer tous les facteurs de risque. Peuvent se produire les incidents suivants liés à la conception et au design de l'appareil électrique:

- Des dommages à l'ouïe en cas d'utilisation de dispositifs antibruit inefficaces.
- Un accident causé par un appareil qui n'a pas été débranché; donc débranchez toujours celui-ci du réseau avant tout réglage ou procédure d'entretien, y compris le changement des accessoires de travail.
- L'outil électroportatif ne doit pas être utilisé à l'extérieur lorsqu'il pleut, dans un milieu humide (après la pluie) ou à proximité de liquides et de gaz facilement inflammables. Le lieu de travail doit être bien éclairé.

## V - Présentation de la machine

Avant de commencer le travail avec la machine il faut connaître tous les spécificités d'exploitation et les consignes de sécurité.

Utiliser la machine et ses accessoires conformément à leur destination. Toute autre utilisation est interdite.

1. Ecrou
2. Pince
3. Arbre
4. Interrupteur
5. Câble avec fiche
6. Variateur électronique de vitesse

## VI - Indications de travail

La machine doit être alimentée du réseau monophasé de courant alternatif. Elle peut être branchée sur des prises sans borne de terre car l'isolement est double suivant les normes EN 60745-1 et IEC 60745. Pour ce qui est des interférences radio, il est conforme aux la directive sur la compatibilité électromagnétique 2004/108/CE.

Ces outils électroportatifs sont destinés aux petits travaux de finition effectués sur des pièces en métal, en matière plastique et en bois à l'aide d'outils abrasifs et d'outils à lame en acier à coupe rapide.

La meuleuse droite peut être utilisée pour meulage, pour ébarbage de bavures et de soudures, ainsi que pour polissage. Elle fonctionne avec des outils à vitesse périphérique maximale 45m/s. La partie avant de la machine possède deux gorges cylindriques Ø35 mm et Ø43 mm destinées à la fixation d'une poignée ou autres dispositifs. Les deux modèles – MKL 710CE et MKL 550E, sont munis d'un variateur électronique de la vitesse qui permet de choisir le régime optimal de fonctionnement. Le modèle MKL 710CE possède un régulateur électronique qui assure la vitesse constante sous charge.

### AVANT DE COMMENCER LE TRAVAIL

- Vérifier si la tension du réseau d'alimentation est conforme aux données indiquées sur le tableau signalétique de la machine.
- Vérifier la position de l'interrupteur. La machine ne doit pas être branchée ou débranchée qu'avec l'interrupteur en position déclenchée. Si on met la fiche dans la prise avec l'interrupteur en position Marche, la machine va démarrer aussitôt avec tous les risques d'accident accompagnants.
- Vérifier l'état du câble d'alimentation et la fiche. Le câble d'alimentation endommagé devra être remplacé par le fabricant ou un spécialiste autorisé afin d'éviter les risques d'un remplacement non approprié.



**AVERTISSEMENT:** Arrêtez toujours l'appareil et débranchez-le du réseau avant d'effectuer sur celui-ci tout réglage et opération de service ou d'entretien, de même qu'en cas de baisse de tension du courant dans le secteur.

### MARCHE - ARRÊT

- Mise sous tension: pousser le bouton de l'inter-rupteur 4 jusqu'à ce que la partie frontale s'enfonce et s'arrête et qu'apparaisse le symbole «I».
- Mise hors tension: appuyer sur l'extrémité inverse de l'interrupteur 4 et le relâcher, il retrouve ainsi sa position initial et le symbole «O» apparaîtra.



**AVERTISSEMENT:** Dans une ambiance inférieure à 0°C, la meuleuse droite ne doit être branchée qu'avec le sélecteur de vitesse en position «G». Après quelques minutes de fonctionnement à vide, la machine peut être utilisée sur toutes autres positions du sélecteur.

Ne pas boucher de main les ouïes de ventilation au cours du travail.

### RECHANGE DE LA PINCE DE SERRAGE

On procède à la rechange de la pince 2 en dévissant l'écrou 1 de la broche 3, ensuite la pince est tirée en avant. Avant le montage de la pince il est nécessaire de nettoyer la pince, ainsi que l'ouverture dans la broche.

### FIXATION DES OUTILS

Enfiler l'embout de l'outil dans la pince de serrage. Bloquer la broche 3 à l'aide d'une clé S17, et serrer l'écrou 1 de la clé S17. Utiliser uniquement des clés en bon état afin d'éviter l'endommagement. Le diamètre de l'embout de l'outil doit correspondre au diamètre de l'ouverture de la pince. Enfoncer au maximum l'outil dans la pince de serrage, de façon que la partie libre l0 de l'embout ne dépasse pas une longueur déterminée par les dimensions de l'outil (voir fig. 1 et tableau 1).

Tableau 1

$d_1$ , mm	b, mm	$l_2$ , mm	$l_0$ , mm
13	25	40	25
16	25	40	25
	32	40	15
	40	40	10
20	10	40	25
	20	40	20
	25	40	15
	32	40	5
25	10	40	25
	16	40	20
	20	40	15
	25	40	10

## RÉGLAGE DE LA VITESSE DE ROTATION

On sélectionne la vitesse de rotation, en tournant progressivement le bouton du variateur de sélection de vitesse 5, situé sur la partie supérieure de la carcasse du moteur, de la position A vers la position G.

## ACCESSOIRES QUI PEUVENT ÊTRE UTILISÉS AVEC LA MACHINE

Meule rectifieuse a queue Ø6  
 Meule rectifieuse a queue Ø8  
 Pivot Ø6  
 Pivot Ø8

## VII – Maintenance



**AVERTISSEMENT:** Arrêtez toujours l'appareil et débranchez-le du réseau avant d'effectuer sur celui-ci tout réglage et opération de service ou d'entretien.

## REMPACEMENT DES BALAIS

L'appareil est doté de balais qui se déconnectent automatiquement. Lorsque les balais sont usés, l'appareil se déconnecte de lui-même. Dans un tel cas, il faut remplacer à la fois les deux balais par des balais d'origine de SPARKY pour l'entretien de l'appareil dans le cadre de la garantie ou en dehors de celle-ci.

## EXAMEN GENERAL

Vérifiez régulièrement tous les éléments de fixation pour vous assurer qu'ils sont solidement serrés. Si quelque vis s'est desserrée, resserrez-la immédiatement afin d'éviter tout risque.

Si le câble d'alimentation est endommagé, il doit être remplacé par le producteur ou un spécialiste agréé par celui-ci afin d'éviter les éventuels risques liés à son remplacement.

## NETTOYAGE

Pour assurer un fonctionnement sécurisé, entretenez toujours l'appareil et ses orifices de ventilation propres.

Vérifiez régulièrement si dans les orifices de ventilation du moteur électrique ou autour des commutateurs il n'y a pas de poussière ni de corps étrangers. Utilisez une brosse douce et/ou un jet d'air comprimé pour éliminer la poussière accumulée à ces endroits. Afin de protéger vos yeux, lors des opérations de nettoyage, portez des lunettes de protection.

Si le boîtier de l'appareil a besoin d'être nettoyé, essuyez-le à l'aide d'un chiffon doux humide. Vous pouvez utiliser un produit de nettoyage peu agressif.



**AVERTISSEMENT:** Il est interdit d'utiliser de l'alcool, de l'essence ou d'autres solvants. N'utilisez jamais des produits agressifs pour le nettoyage des pièces en matière plastique.



**AVERTISSEMENT:** Ne pas permettre à de l'eau à entrer en contact avec l'appareil.

**AVIS IMPORTANT!** Afin d'assurer la sécurité du travail avec l'appareil et le fonctionnement fiable de celui-ci, toutes les opérations de réparation, d'entretien et de réglage (y compris la vérification de l'état des balais et leur remplacement) doivent être effectuées dans les centres d'entretien agréés de SPARKY avec l'utilisation exclusive de pièces d'origine.

## VIII - Garantie

---

La période de garantie des outils électroportatifs SPARKY est définie dans le contrat de garantie.

La garantie ne couvre pas les pannes apparues suite à l'usure naturelle, une surcharge ou une mauvaise exploitation.

Les pannes survenues pour cause de matériaux défectifs et/ou d'erreurs de fabrication seront réparées gratuitement ou le produit sera échangé.

Les réclamations pour un instrument SPARKY défectueux seront honorées si la machine est retournée au livreur ou est présentée à un service après-vente agréé assemblé et dans son état original (assemblée).

## Notes

---

Lire attentivement les instructions avant d'utiliser ce produit.

Le producteur retient son droit d'améliorer ses produits et de changer les spécifications sans avis spécial.

Les spécifications peuvent varier selon le pays.

# Indice

I - Introduzione .....	27
II - Dati tecnici.....	29
III - Istruzioni generali di sicurezza nel lavoro con elettroutensili .....	30
IV - Istruzioni supplementari di sicurezza nel lavoro con smerigliatrici assiali.....	31
V - Prendere visione dell'elettroutensile .....	A/32
VI - Istruzioni per l'uso .....	B/32
VII - Manutenzione .....	33
VIII - Garanzia .....	34

## PRIMA DELL'USO

Prima dell'uso verificare la presenza di tutti i componenti e degli accessori elencati. In caso di mancanze o apparenti difetti rivolgersi al rivenditore specializzato. L'inosservanza di tale raccomandazione potrebbe provocare gravi incidenti.

## ASSEMBLAGGIO

La smerigliatrice assiale viene fornita imballata e completamente montata, ad eccezione della bussola di chiusura e del dado. Scegliere una bussola di chiusura che corrisponda al diametro del codolo di fissaggio dell'utensile da usare, quindi montarla alla macchina insieme al dado.

## I - Introduzione

---

Questo utensile SPARKY supererà le Vostre aspettative. La produzione secondo i rigorosi standard di qualità SPARKY assicura un'ottima prestazione. Se utilizzato correttamente, l'utensile risulterà maneggevole e sicuro, e garantirà un uso duraturo.

### AVVERTENZA:



Leggere attentamente tutte le istruzioni prima dell'utilizzo dell'utensile. Leggere con cura soprattutto le parti introdotte da "Avvertenza". Questo utensile SPARKY presenta numerose caratteristiche che faciliteranno il Suo lavoro. Sicurezza, qualità ed affidabilità sono punti chiave nello sviluppo di questo utensile, e lo rendono semplice nell'uso e nella manutenzione.



### **Non smaltire elettroutensili insieme a rifiuti domestici!**

Residui di prodotti elettrici devono essere smaltiti separatamente dai rifiuti domestici e sottoposti ad un riciclaggio ecologico. Si prega di informarsi presso le autorità locali o i rivenditori specializzati circa il più vicino luogo di raccolta.

### RISPETTO DELL'AMBIENTE



Macchina, accessori ed imballaggio devono essere destinati ad una riutilizzazione ecologica per il recupero di materie prime.

I componenti in plastica sono contrassegnati per relativo riciclaggio.

## SIMBOLI

---

L'etichetta che si trova sulla macchina contiene alcuni simboli. Questi forniscono importanti informazioni sull'utensile o istruzioni sull'uso dello stesso.



Doppio isolamento per una protezione supplementare.



Elettronica per mantenere i giri costanti, più elettronica per preselezione della velocità



Conforme alle direttive europee applicabili.



Conforme alle esigenze dei documenti normativi russi.



Conforme alle esigenze dei documenti normativi ucraini.




Prendere conoscenza del manuale d'uso.

YYYY-Www      Periodo di produzione, ove i simboli variabili sono:  
YYYY - l'anno di produzione,  
Www - la settimana consecutiva del calendario.

MKL              Smerigliatrice assiale.

## II - Dati tecnici

Modello	MKL 550E	MKL 710CE
Potenza assorbita	550 W	710W
Numero di giri a vuoto	10000-33000 min <sup>-1</sup>	10000-30000 min <sup>-1</sup>
Diametro del foro delle bussole di chiusura	Ø6 mm, Ø8 mm	Ø6 mm, Ø8 mm
Diametro massimo della punta per smerigliatura	25 mm	25 mm
Peso (la procedura EPTA 01/2003)	1,4 kg	1,4 kg
Classe di protezione (EN 60745-1) 	II	II
<b>INFORMAZIONI SUL RUMORE E SULLE VIBRAZIONI</b>		
I valori sono stati misurati conformemente alla norma EN 60745.		
<b>Emissione di rumore</b>		
A-livello di pressione sonora ponderata L <sub>pA</sub>	81,0 dB (A)	78,0 dB (A)
Indeterminazione K <sub>pA</sub>	3,0 dB (A)	3,0 dB (A)
A-livello di potenza sonora ponderata L <sub>WA</sub>	92,0 dB (A)	89,0 dB (A)
Indeterminazione K <sub>WA</sub>	3,0 dB (A)	3,0 dB (A)
<b>Usare mezzi per protezione dal rumore!</b>		
<b>Emissione di vibrazioni *</b>		
Valore totale delle vibrazioni (la somma vettoriale lungo i tre assi), determinato conformemente alla norma EN 60745:		
Smerigliatura di superfici		
Valore delle vibrazioni emesse a <sub>v</sub>	6,5 m/s <sup>2</sup>	6,0 m/s <sup>2</sup>
Indeterminazione K	1,5 m/s <sup>2</sup>	1,5 m/s <sup>2</sup>
* Le vibrazioni sono state determinate conformemente al punto 6.2.7 della norma EN 60745-1.		

Il livello di vibrazione sopra indicato è stato definito seguendo il metodo di misurazione riportato nella normativa EN 60745 e può essere utilizzato per confrontare tra di loro diversi elettrotensili. Inoltre è adatto per effettuare una stima provvisoria del livello di esposizione.

Il livello di vibrazione si riferisce alle modalità d'uso principali dell'utensile. Tuttavia, se utilizzato per scopi diversi da quelli previsti, con punte poco stabili o senza adeguata manutenzione, il livello di vibrazione può variare. Ciò può aumentare sensibilmente il livello di esposizione durante il lavoro.

Per una precisa definizione del livello di esposizione dovrebbe essere preso in considerazione anche l'arco di tempo in cui l'utensile è spento o funzionante ma non in uso. Ciò può ridurre sostanzialmente il livello di esposizione durante il lavoro.

Utilizzare l'utensile e gli accessori con cura, e maneggiarlo mantenendo le mani calde così da ridurre gli effetti dannosi dell'elevato livello di vibrazioni.

Polvere derivante da materiali come vernici contenenti particelle di piombo, alcuni tipi di legno, minerali e metallo potrebbe essere nociva. Il contatto o l'inalazione di tali polveri potrebbe causare reazioni allergiche e/o problemi al sistema respiratorio dell'utente o di terzi.

Talune tipologie di polveri, come ad esempio quella derivante da legno di quercia o faggio, soprattutto se trattati con additivi e conservanti, sono classificate come cancerogene. Si consiglia di fare trattare materiali contenenti asbesto solo a persone esperte.

- Se possibile collegare sempre la macchina ad un dispositivo di aspirazione.
- Per ottenere un alto grado di asportazione della polvere, usare nel lavoro con questo elettrotensile un aspirapolvere destinato a raccogliere la polvere di legno e/o polvere minerale
- Tenere l'area di lavoro ben pulita e ventilata.
- Si consiglia l'uso di una mascherina o filtro di classe P2.

Osservare le direttive nazionali relative al materiale da lavorare.

## II - Istruzioni generali di sicurezza nel lavoro con elettroutensili



**AVVERTENZA!** Leggere tutte le istruzioni d'uso e le avvertenze di sicurezza. L'inosservanza delle istruzioni seguenti può causare folgorazioni, incendi e/o gravi danni a persone.

Conservare con cura queste istruzioni.

Il termine "utensile" in tutte le avvertenze successive si riferisce sia agli utensili collegati alla rete elettrica (con cavo di alimentazione) che agli utensili a batteria (senza cavo).

### 1) Area di lavoro

- Mantenere l'area di lavoro pulita e ben illuminata. Le zone buie ed ingombre di oggetti favoriscono incidenti.
- Non utilizzare l'utensile in presenza di liquidi infiammabili, gas o polvere. Le scintille generate potrebbero infiammare polvere e/o vapore.
- Tenere a distanza bambini e terzi durante il funzionamento. Per una distrazione potreste perdere il controllo dell'utensile.

### 2) Sicurezza elettrica

- La spina dell'utensile deve essere adatta alla presa utilizzata. Non modificare la spina in alcun modo. Non utilizzare adattatori con gli utensili collegati a terra. L'impiego di una spina integra ed una presa adatta riduce i rischi di folgorazione.
- Evitare di toccare con il corpo le superfici collegate a terra quali tubi, radiatori, forni e frigoriferi. Il rischio di folgorazione aumenta se il corpo è collegato a terra.
- Non esporre l'utensile alla pioggia e all'umidità. La penetrazione d'acqua nell'utensile aumenta il rischio di folgorazione.
- Non utilizzare il cavo per scopi diversi da quello previsto. Non utilizzare il cavo per trasportare o tirare l'utensile, oppure per staccare la spina dalla presa. Tenere il cavo lontano da fonti di calore, olio, parti appuntite o in movimento. Cavi danneggiati o attorcigliati aumentano il rischio di folgorazione.
- Se l'utensile viene utilizzato all'aperto, usare una prolunga adatta all'uso ester-

no. L'impiego di una prolunga da esterno riduce il rischio di folgorazione.

- Se il lavoro in un ambiente umido è strettamente necessario, utilizzare una presa protetta da dispositivo a corrente residua. Ciò riduce i rischi di scosse.

### 3) Sicurezza personale

- L'uso di elettroutensili richiede attenzione e buon senso. Non utilizzare gli utensili se si è stanchi o sotto l'effetto di droghe, alcol o medicinali. Una breve disattenzione può provocare gravi danni alle persone.
  - Munirsi di indumenti e dispositivi di protezione. Indossare sempre occhiali da lavoro. L'uso di dispositivi di protezione tra cui mascherina antipolvere, scarpe antiscivolo, casco e protezioni per l'udito riduce il rischio di danni a persone.
  - Evitare l'accensione accidentale. Accertarsi che l'interruttore sia in posizione "OFF" prima di inserire la spina. Se si trasportano gli utensili con il dito sull'interruttore o si inserisce la spina nella presa con l'interruttore in posizione "ON" aumenta il rischio di incidenti.
  - Togliere tutte le chiavi di regolazione prima di accendere l'utensile. Una chiave lasciata inserita in una parte rotante di un utensile può provocare danni a persone.
  - Non utilizzare l'utensile in condizioni estreme. Mantenere sempre l'equilibrio ed i piedi ben appoggiati a terra. Questo consente un maggior controllo dell'utensile in caso di imprevisti.
  - Indossare un abbigliamento adeguato. Non indossare abiti svolazzanti o gioielli. Tenere capelli, vestiti, e guanti lontani dalle parti in movimento. Abiti svolazzanti, gioielli o capelli potrebbero impigliarsi nelle parti in movimento.
  - In presenza di apparecchiature per il collegamento a dispositivi di aspirazione e raccolta delle polveri, accertarsi che essi siano collegati ed utilizzarli correttamente. L'uso di queste apparecchiature può ridurre i rischi causati dalla polvere.
- ### 4) Uso e manutenzione dell'utensile
- Utilizzare l'utensile più adatto per il lavoro da svolgere. L'impiego dell'utensile giusto migliora la qualità del lavoro e la sicurezza.
  - Non utilizzare l'utensile se non è possibile accenderlo e spegnerlo con l'apposito interruttore. Gli utensili che non possono essere controllati con l'interruttore



sotto tensione metterò sotto tensione le parti metalliche aperte dell'elettrotensile, e l'operatore subirà una scossa elettrica.

- c) **Staccare la spina dall'alimentazione di corrente prima di eseguire regolazioni, cambiare accessori o riporre l'utensile.** Osservando queste precauzioni si riduce il rischio di accensione accidentale dell'utensile.
- d) **Riporre gli utensili non utilizzati fuori dalla portata dei bambini e non consentirne l'utilizzo a persone che non conoscono l'utensile o queste istruzioni.** Nelle mani di persone inesperte gli utensili possono diventare pericolosi.
- e) **Sottoporre l'utensile a manutenzione. Verificare il corretto allineamento di tutte le parti mobili, controllare che non siano grippate e che non vi siano rotture o altri guasti che potrebbero influire sul funzionamento dell'utensile. Far riparare gli utensili danneggiati prima di riutilizzarli. Molti incidenti sono causati da utensili in pessime condizioni.**
- f) **Tenere le punte e gli strumenti da taglio puliti ed affilati.** Se sottoposti ad una regolare manutenzione e pulizia consentono di lavorare in modo più preciso e sono maggiormente controllabili.
- g) **Utilizzare l'utensile, gli accessori, gli attrezzi etc. secondo quanto indicato in queste istruzioni nonché tenendo in considerazione le condizioni di lavoro e il lavoro da eseguire. L'impiego di utensili per scopi diversi da quelli per cui sono stati progettati può dare origine a situazioni pericolose.**

#### 5) Manutenzione

- a) **Far riparare l'utensile da personale qualificato che utilizzi solo parti di ricambio originali.** In caso contrario la sicurezza dell'utensile potrebbe risultare compromessa.

## IV - Istruzioni supplementari di sicurezza nel lavoro con smerigliatrici assiali

- **Tenere l'elettrotensile soltanto per le superfici isolate da prendere, nell'esecuzione di un'operazione in cui l'accessorio di taglio potrebbe toccare un impianto elettrico nascosto, o il proprio cordone.** Il contatto dell'accessorio di taglio con un conduttore

sotto tensione metterò sotto tensione le parti metalliche aperte dell'elettrotensile, e l'operatore subirà una scossa elettrica.

- **Indossare sempre occhiali protettivi e cuffie antirumore, e usare maschera antipolvere.** La polvere e le particelle abrasive sprigionate durante il lavoro, possono danneggiare seriamente la salute.



**AVVERTENZA:** Prima di collegare l'elettrotensile alla rete di alimentazione, accertarsi che la tensione di alimentazione corrisponda a quella indicata sulla targhetta dati tecnici dell'elettrotensile.

- Una fonte di alimentazione dalla tensione superiore a quella indicata per l'elettrotensile, può causare sia una grave lesione di scossa elettrica all'operatore, sia un guasto all'elettrotensile.
- Se si ha qualsiasi esitazione, non innestare la spina dell'elettrotensile nella presa.
- L'uso di una fonte di alimentazione con tensione inferiore a quella indicata sulla targhetta dati tecnici dell'elettrotensile, danneggerà il motore elettrico.



**AVVERTENZA:** Disinserire sempre l'elettrotensile e disinnestare la spina dalla presa prima di effettuare qualsiasi regolazione, sistemazione o manutenzione, o ad interruzione della tensione di alimentazione.

- Dopo un lavoro continuativo le parti metalliche esterne e gli accessori possono riscaldarsi. Non toccare l'utensile o il pezzo da lavorare subito dopo il lavoro – essi potrebbero essere roventi ed ustionare la pelle.
- Proteggere le mani da parti rotanti.
- Se possibile usare sempre delle staffe o una morsa per fissare il pezzo da lavorare.
- Spegnerne sempre la sega a sciabola ed aspettare finché la lama abbia smesso di girare, prima di adagiare la macchina in disparte.
- Non sovraccaricare la macchina: lavorare con una pressione moderata. Il sovraccarico è il risultato dell'applicazione di una pressione eccessiva, a cui il motore elettrico rallenta la propria rotazione e ciò conduce a un funzionamento inefficace e all'eventuale guasto del motore elettrico della macchina.
- Non lasciare mai stracci, cordoni, stoppa ecc. nell'area del lavoro.
- Prima di usare l'elettrotensile su un pezzo da lavorare concreto, metterlo in moto e lasciar-

lo funzionare per breve tempo, per accertarsi che esso funziona normalmente. L'elettrotensile deve stare durante il lavoro ad almeno 200 mm dal viso e dal corpo.

- Mantenere sempre stabile la posizione del corpo. Nel lavorare con l'elettrotensile in quota accertarsi che non ci sia nessuno di sotto.
- Tenere saldamente l'elettrotensile.
- Usare l'elettrotensile soltanto secondo la sua destinazione d'uso. Qualsiasi altro impiego differente da quello descritto in questo manuale di istruzione, sarà ritenuto impiego erraneo. La responsabilità per qualsiasi guasto o ferimento, causati da uso erraneo, cadrà sull'utente, e non sul fabbricante.
- Per sfruttare correttamente questo elettrotensile, si devono rispettare le regole di sicurezza, le istruzioni generali, e le istruzioni di funzionamento qui riportate. Tutte le persone che fanno uso di questa macchina o eseguono la sua manutenzione, devono conoscere queste istruzioni di servizio, ed essere informate dei possibili pericoli legati a questo elettrotensile. È vietato il lavoro di bambini e persone fisicamente deboli con questo elettrotensile. I bambini devono stare sotto continua sorveglianza se si trovano vicino ad un luogo dove si lavora con l'elettrotensile. È obbligatorio osservare le norme di lavoro sicuro vigenti nel rispettivo paese. Lo stesso concerne pure l'osservanza delle regole principali relative alla salute e alla sicurezza professionale.
- Il fabbricante non sarà tenuto responsabile per alcuna modifica apportata all'elettrotensile, o per guasti che ne conseguono.

Anche se l'elettrotensile viene usato in conformità alle prescrizioni, non è possibile eliminare tutti i fattori residui di rischio. Possono emergere i seguenti pericoli, legati alla struttura o al disegno dell'elettrotensile:

- Lesione dell'udito se non vengono usate cuffie antirumore efficaci.
- Staccare sempre la spina dalla presa della rete prima di effettuare qualsiasi aggiustaggio o procedura di manutenzione, ivi inclusa la sostituzione degli accessori.
- Non usare l'elettrotensile all'aperto quando piove, in un ambiente umido (dopo una pioggia), o in vicinanza di liquidi o gas facilmente infiammabili. Il posto di lavoro deve essere ben illuminato.

## V - Prendere visione dell'elettrotensile

---

Prima di cominciare a lavorare con l'elettrotensile, prendere conoscenza di tutte le caratteristiche operative e norme di sicurezza.

Impiegare l'elettrotensile e i suoi accessori solo per la loro destinazione d'uso. Qualsiasi altra applicazione è espressamente vietata.

1. Dado
2. Bussola di chiusura
3. Alberino
4. Interruttore ON/OFF
5. Cordone con spina
6. Regolatore elettronico dei giri

## VI - Istruzioni per l'uso

---

Questo elettrotensile viene alimentato soltanto di corrente alternata monofase. Si può innestare in prese senza piattine di massa, avendo un isolamento doppio conformemente all'EN 60745-1 e all'IEC 60745. I disturbi radio corrispondono alla Direttiva sulla compatibilità elettromagnetica 2004/108/EC.

Questo elettrotensile è destinato ad opere di finitura di piccola entità, su pezzi in metallo, plastica o legno, a mezzo di attrezzi abrasivi e attrezzi in acciaio rapido.

La smerigliatrice assiale può essere usata per smerigliatura, bisellatura di bava e di saldature, e lucidatura. Funziona con punte per smerigliatura, che permettono una velocità periferica di 45 m/s. Sulla parte anteriore della macchina vi sono collari formati di Ø35mm e Ø43mm per fissaggio di impugnatura o altri dispositivi. I due modelli MKL 710CE e MKL 550E sono dotati di elettronica per il mantenimento dei giri per la selezione del regime ottimale di funzionamento. Il modello MKL 710CE è dotato di elettronica per il mantenimento di giri costanti sotto carico.

### PRIMA DI COMINCIARE IL LAVORO

---

- Verificare che la tensione della rete elettrica corrisponda a quella riportata sulla targhetta con i dati tecnici dell'elettrotensile.
- Verificare in quale posizione si trova l'interruttore ON/OFF. L'elettrotensile deve essere innestato nella presa o disinnestato dalla rete di alimentazione soltanto ad interruttore disinserito. Se la spina viene innestata nella presa quando l'interruttore è in posizione inserita,

l'elettrotensile si metterà subito in moto, circostanza che comporta infortunio.

- Accertarsi del buono stato del cordone di alimentazione e della spina. Se il cordone è guasto, la sostituzione va effettuata dal costruttore o da un suo specialista di centro assistenza, per evitare i pericoli della sostituzione.



**AVVERTENZA:** Spegnerne sempre l'elettrotensile ed estrarre la spina dalla presa prima di effettuare qualsiasi regolazione, aggiustaggio o manutenzione, e ad interruzione della tensione di alimentazione.

## AVVIAMENTO - ARRESTO

- Avviamento: spingere in avanti il cursore dell'interruttore 4, finché la sua parte anteriore si affondi, si blocchi, e comparisca il simbolo "I".
- Arresto: premere la parte posteriore sollevata dell'interruttore 4 e lasciarla ritornare da sola indietro alla posizione di partenza, nel quale atto comparisce il simbolo "O".



**AVVERTENZA:** A temperatura esterna sotto lo 0°, mettere in moto la smerigliatrice assiale soltanto nella posizione "G" del regolatore elettronico dei giri. Dopo qualche minuto di funzionamento a vuoto la macchina può essere usata anche nelle altre posizioni del regolatore.

Stare attenti a non ostruire con la mano le aperture di ventilazione durante il lavoro.

## SOSTITUZIONE DELLA BUSSOLA DI CHIUSURA

Sostituire la bussola di chiusura 2, svitando completamente il dado 1 dall'alberino 3 ed estraendo la bussola in avanti. Prima di mettere la bussola è necessario pulire la bussola e il foro nell'alberino.

## FISSAGGIO DELLE PUNTE PER SMERIGLIATURA

Infilare il gambo della punta per smerigliatura nella bussola di chiusura. Tenere l'alberino 3 con la chiave S17, e stringere il dado 1 con la chiave S17. Utilizzare soltanto chiavi meccaniche non guaste, altrimenti si corre il rischio di danneggiare la bussola di chiusura. Badare che il diametro del gambo della punta per smeriglia-

tura corrisponda al foro della bussola di chiusura. Stringere le punte per smerigliatura il più profondamente possibile nella bussola di chiusura. La lunghezza libera l0 non deve superare una certa lunghezza la quale dipende dalle dimensioni della punta per smerigliatura (cfr. la Fig. 1 e la Tabella 1).

Tabella 1

d <sub>1</sub> , mm	b, mm	l <sub>2</sub> , mm	l <sub>0</sub> , mm
13	25	40	25
16	25	40	25
	32	40	15
	40	40	10
20	10	40	25
	20	40	20
	25	40	15
	32	40	5
25	10	40	25
	16	40	20
	20	40	15
	25	40	10

## REGOLAZIONE DEI GIRI

I giri possono essere cambiati dolcemente da A a G, girando il potenziometro del regolatore elettronico 5, che si trova sulla parte posteriore del cofano del motore.

## ACCESSORI CHE POSSONO ESSERE USATI CON QUESTO ELETTROUTENSILE

- Punta per smerigliatura con codolo Ø6
- Punta per smerigliatura con codolo Ø8
- Bussola di chiusura Ø6
- Bussola di chiusura Ø8

## VII - Manutenzione



**AVVERTENZA:** Spegnerne sempre l'elettrotensile e staccare la spina dalla presa prima di effettuare qualsiasi verifica o manutenzione.

## SOSTITUZIONE DELLE SPAZZOLE

L'elettrotensile è munito di spazzole che si autodisinseriscono. Quando le spazzole diventano usurate, tutte e due le spazzole vanno sostituite simultaneamente con spazzole originali in un centro assistenza SPARKY per manutenzione in o fuori garanzia.

## VERIFICA GENERALE

Verificare regolarmente tutti gli elementi di fissaggio e accertarsi che siano stretti bene. Nel caso in cui qualche vite si sia allentata, stringerla subito, per evitare situazioni di rischio.

Se il cavo di alimentazione è danneggiato, la sostituzione va effettuata dal costruttore o da un suo specialista di centro assistenza, per ovviare ai pericoli della sostituzione.

## PULIZIA

Per un lavoro sicuro mantenere sempre pulite la macchina e le aperture di ventilazione.

Verificare regolarmente che nella griglia di ventilazione vicino al motore elettrico o intorno ai commutatori non siano penetrati polvere o corpi estranei. Usare una spazzola soffice per eliminare la polvere accumulata. Per proteggere gli occhi durante la pulizia, indossare occhiali protettivi.

Se la carcassa della macchina necessita di trattamento di pulizia, pulirla con un panno soffice umido. Si può usare un detergente debole.



**AVVERTENZA:** Non è ammesso l'uso di alcool, benzina o altri solventi. Non usare mai preparati corrosivi per pulire le parti di plastica.



**AVVERTENZA:** Non è ammesso il contatto di acqua con la macchina.

**IMPORTANTE!** Per provvedere a un lavoro sicuro con l'elettro utensile e alla sua affidabilità, tutte le attività di riparazione, manutenzione e regolazione (ivi incluse la verifica e la sostituzione delle spazzole) vanno effettuate nei centri assistenza autorizzati SPARKY, con l'impiego soltanto di pezzi di ricambio originali.

## VIII - Garanzia

Il periodo di garanzia per gli utensili SPARKY ha validità a partire dalla data di acquisto ed è conforme alle normative europee.

Non sono coperti da garanzia danni derivanti da usura, sovraccarico o uso improprio.

L'azienda produttrice assicura la sostituzione di tutte le parti non funzionanti in cui si riconoscano difetti di materiale e/o di lavorazione.

Le prestazioni di garanzia saranno erogate solo se la macchina richiesta sarà inviata in condizioni integre al rivenditore o ad un centro di assistenza, accompagnata dallo scontrino fiscale.

## Ulteriori informazioni

Leggere attentamente tutte le istruzioni prima di iniziare a lavorare con l'utensile.

L'azienda produttrice si riserva il diritto di apportare modifiche tecniche senza preavviso.

Le specifiche tecniche possono variare da paese a paese.

# Contenido

I - Introducción .....	35
II - Datos técnicos.....	37
III - Instrucciones generales de seguridad al operar con herramientas eléctricas .....	38
IV - Normas adicionales de seguridad al operar con esmeriladoras rectas .....	39
V - Componentes principales de la herramienta eléctrica .....	A/41
VI - Instrucciones para la operación .....	B/41
VII - Mantenimiento .....	42
VIII - Garantía .....	43

## DESENVASE

En conformidad con las tecnologías de grandes series generalmente aceptadas, es poco probable que su herramienta eléctrica sea defectuosa o que le falte alguna pieza. Si observa que algo no está en orden, no opere con la herramienta eléctrica hasta que su pieza dañada no haya sido sustituida o su defectuosidad no haya sido eliminada. El incumplimiento de esta recomendación puede conducir a un accidente de trabajo grave.

## ENSAMBLAJE

La esmeriladora recta se suministra empaquetada y completamente ensamblada, salvo el mandril y la tuerca. El mandril debe seleccionarse, de modo que corresponda al diámetro de la cola de acoplamiento de la herramienta que va a utilizarse, y, posteriormente, se monta a la máquina junto con la tuerca.

## I - Introducción

La herramienta eléctrica SPARKY que acaba de adquirir superará sus expectativas. Ha sido fabricada conforme a las altas normas de calidad de SPARKY que responden a las exigencias más rigurosas del usuario. Su mantenimiento es fácil y es segura a la hora de explotarse. Si se usa correctamente, esta herramienta eléctrica le servirá con fiabilidad durante largos años.

### ¡ADVERTENCIA!



Lea con atención e íntegramente estas instrucciones de explotación antes de usar la herramienta eléctrica SPARKY que acaba de adquirir. Preste una atención especial a los textos encabezados por la palabra "Advertencia". Su herramienta eléctrica SPARKY posee muchas cualidades que facilitarán su trabajo. Al diseñarse esta herramienta eléctrica, se ha prestado una mayor atención a la seguridad, a las cualidades de explotación y a la fiabilidad que facilitan su mantenimiento y explotación.



### ¡No tire la herramienta eléctrica junto con los residuos domésticos!

Los residuos de productos eléctricos no deben recogerse junto con los residuos domésticos. Por favor, recíclelos en los lugares destinados a ello. Póngase en contacto con las autoridades locales o con un representante suyo para informarse respecto al reciclaje.

## PROTECCIÓN DEL MEDIO AMBIENTE



Con miras a la protección del medio ambiente, esta herramienta eléctrica, sus accesorios y su envase deben someterse a un tratamiento adecuado para reutilizar las materias primas que contienen.

Para facilitar el reciclaje de las piezas fabricadas de materiales artificiales, éstas han sido marcadas de la forma correspondiente.

## DESCRIPCIÓN DE LOS SÍMBOLOS

Sobre la placa de características técnicas de la herramienta eléctrica se han marcado símbolos especiales. Éstos facilitan información importante sobre el producto o instrucciones para su manejo.



Doble aislamiento de protección adicional.



Electrónica para mantener revoluciones constantes más electrónica de selección previa de la velocidad.



En conformidad con las Directivas europeas de aplicación.



En conformidad con los requisitos de los documentos normativos rusos.



En conformidad con los requisitos de los documentos normativos ucranianos.



Familiarícese con el manual de usuario.


YYYY-Www Período de fabricación, donde los símbolos variables son:

YYYY: año de fabricación,

Www: semana civil consecutiva.

MKL Esmeriladora recta.

## II - Datos técnicos

Modelo	MKL 550E	MKL 710CE
Potencia consumida	550 W	710W
Revoluciones en marcha en vacío	10000-33000 min <sup>-1</sup>	10000-30000 min <sup>-1</sup>
Diámetro de la abertura de los mandriles de apriete	Ø6 mm, Ø8 mm	Ø6 mm, Ø8 mm
Diámetro máximo del cuerpo esmerilador	25 mm	25 mm
Peso (EPTA Procedimiento 01/2003)	1,4 kg	1,4 kg
Clase de protección (EN 60745-1) 	II	II

### INFORMACIÓN SOBRE EL RUIDO Y LAS VIBRACIONES

Los valores se han medido según la norma EN 60745.

#### Emisión de ruido

A-nivel medido de presión sonora L <sub>PA</sub>	81,0 dB (A)	78,0 dB (A)
Indeterminación K <sub>PA</sub>	3,0 dB (A)	3,0 dB (A)
A-nivel medido de potencia sonora L <sub>WA</sub>	92,0 dB (A)	89,0 dB (A)
Indeterminación K <sub>WA</sub>	3,0 dB (A)	3,0 dB (A)

#### ¡Utilice medios de protección contra el ruido!

#### Emisión de vibraciones \*

Valor total de las vibraciones (suma vectorial de tres direcciones) determinado según la norma EN 60745:

Esmerilado de superficies		
Valor de las vibraciones emitidas a <sub>h</sub>	6,5 m/s <sup>2</sup>	6,0 m/s <sup>2</sup>
Indeterminación K	1,5 m/s <sup>2</sup>	1,5 m/s <sup>2</sup>

\* Las vibraciones se han determinado según el apartado 6.2.7 de la norma EN 60745-1.

El nivel de las vibraciones determinado en esta instrucción ha sido medido en conformidad con la metodología de ensayo indicada en EN 60745 y podrá utilizarse para comparar instrumentos eléctricos. El nivel de las vibraciones podrá utilizarse para una evaluación previa del grado de influencia.

El nivel declarado de las vibraciones se refiere a la destinación principal del instrumento eléctrico. En los casos cuando el instrumento eléctrico se utilice con otra destinación, con otros accesorios o cuando el instrumento eléctrico no haya sido mantenido debidamente, el nivel de las vibraciones podrá ser diferente al indicado. En estos casos, el nivel de influencia podrá aumentar considerablemente dentro de los límites del período total de funcionamiento.

En la evaluación del nivel de influencia de las vibraciones se deberá tener en consideración el tiempo durante el cual el instrumento eléctrico queda desconectado o conectado, pero no se utiliza. Esto podrá reducir notablemente el nivel de influencia dentro de los límites del período total de funcionamiento.

¡Manténganse el instrumento eléctrico y los accesorios en buen estado! Procure tener las manos calientes durante el trabajo. Esto disminuirá la influencia nociva durante un trabajo con vibraciones elevadas.

El polvo desprendido en el procesamiento de los materiales, como pinturas que contienen plomo, algunos tipos de madera, minerales y metales, podrá ser peligroso para la salud. El contacto o la aspiración del polvo podrá provocar reacciones alérgicas y/o enfermedades de las vías respiratorias del operario o de las personas a su alrededor.

Algunos tipos de polvo, por ejemplo, de roble o de haya, se consideran cancerígenos, ante todo si se combinan con adiciones para procesar la madera (cromato, conservantes). El material que contenga asbesto se ha de procesar únicamente por especialistas.

- Cuando sea posible, utilice la evacuación de polvo.
- Para alcanzar un alto grado de captación de polvo, al operar con esta herramienta eléctrica, utilice una aspiradora destinada a recoger polvo de madera o para polvo de madera y/o polvo mineral.
- Asegure una buena ventilación del lugar de trabajo.
- Se recomienda usar una mascarilla antipolvo de protección con filtro clase P2.

Respétense las disposiciones vigentes en su país acerca del procesamiento de los respectivos materiales.



# III - Instrucciones generales de seguridad al operar con herramientas eléctricas



**ADVERTENCIA!** Lea íntegramente estas advertencias e instrucciones de seguridad. Si no se respetan las advertencias e instrucciones de seguridad, podrá llegar a causarse una avería por la corriente eléctrica, un incendio y/o una lesión grave.

**Guárdense todas las advertencias e instrucciones de seguridad para su uso futuro.**

El término “herramienta eléctrica” empleado en todas las advertencias descritas a continuación se refiere a su instrumento eléctrico alimentado de la red (con un cordón eléctrico) y/o de una máquina eléctrica alimentada por una batería de acumuladores (sin cordón eléctrico).

## 1) Seguridad del puesto de trabajo

- Mantenga limpio y bien iluminado su puesto de trabajo. El desorden y la insuficiente iluminación son premisas para un accidente de trabajo.
- No trabaje con la herramienta eléctrica en un entorno de aire explosivo donde hay líquidos inflamables, gases o polvo. Las herramientas eléctricas producen chispas que pueden incendiar el polvo o el vapor.
- Mantenga a los niños y a las personas extrañas a una distancia cuando esté trabajando con una herramienta eléctrica. Una distracción suya le puede hacer perder el control sobre el instrumento eléctrico.

## 2) Seguridad eléctrica

- Los enchufes de las herramientas eléctricas deben corresponder a la toma de corriente. No cambie el enchufe bajo ningún concepto. No emplee ningún enchufe adaptador en las herramientas eléctricas de puesta a tierra. El uso de enchufes no modificados y su correspondiente toma de corriente reduce el riesgo de una avería causada por la corriente eléctrica.
- Evite el contacto de su cuerpo con la tierra o con superficies con puesta a tierra, como tubos, radiadores, cocinas

y refrigeradores. Si su cuerpo está con puesta a tierra, existe un mayor riesgo de producirse una avería por la corriente eléctrica.

- No exponga la herramienta eléctrica a la lluvia o en un ambiente húmedo. La penetración del agua en el interior del instrumento eléctrico aumenta el riesgo de producirse una avería por la corriente eléctrica.
  - Utilice el cordón eléctrico conforme a su destino. Jamás utilice el cordón eléctrico para trasladar el instrumento eléctrico, tirar o sacar el enchufe de la toma de corriente. Mantenga el cordón eléctrico alejado del calor, de lubricantes, aristas vivas o piezas móviles. Los cordones eléctricos deteriorados o enredados aumentan el riesgo de producirse una avería por la corriente eléctrica.
  - Al trabajar con la herramienta eléctrica a la intemperie, utilice un alargador apropiado para trabajar al aire libre. La utilización de un alargador adecuado para trabajar a la intemperie reduce el riesgo de producirse una avería por la corriente eléctrica.
  - Para interrumpir la alimentación, utilice un dispositivo de seguridad que se pone en funcionamiento por la corriente eléctrica restante de ser imprescindible el empleo de la herramienta eléctrica en un ambiente húmedo. La aplicación de un dispositivo de seguridad reduce el riesgo de producirse una avería por la corriente eléctrica.
- ## 3) Seguridad personal
- Manténgase en alerta, trabaje con mayor atención y sea prudente mientras esté trabajando con la herramienta eléctrica. No utilice la herramienta eléctrica si estuviese cansado bajo el efecto de drogas, alcohol o medicamentos. Un instante de falta de atención al trabajar con un instrumento eléctrico puede provocar un grave accidente de trabajo.
  - Utilice medios de protección personal. Lleve siempre medios para la protección de los ojos. Los medios de protección personal como carreta antipolvo, zapatos seguros con suela antideslizante, casco o protectores auditivos utilizados en condiciones concretas reducen el riesgo de accidentes de trabajo.
  - Evite una puesta en marcha involuntaria. Antes de asir o trasladar el instrumento



eléctrico, asegúrese de que el interruptor esté desconectado previa su conexión a la fuente de alimentación y/o a la batería de acumuladores. *Puede dar lugar a un accidente de trabajo que la herramienta eléctrica sea trasladada con el dedo sobre el interruptor, o bien la conexión de dicha herramienta a una fuente de alimentación con el interruptor en posición conectada.*

- d) **Retire toda llave de ajuste o llaves de tuercas antes de conectar la herramienta eléctrica.** *Una llave de ajuste o llave de tuercas fijada a una pieza rotatoria puede producir un accidente de trabajo.*
- e) **¡No alargue la mano! Mantenga en todo momento la postura correcta y el equilibrio.** *Ello permitirá un mejor manejo de la herramienta eléctrica en caso de que se presente una situación inesperada.*
- f) **Lleve una ropa de trabajo adecuada. No lleve prendas anchas o joyas. Mantenga su cabello, vestimenta y guantes alejados de las piezas móviles.** *La ropa ancha, las joyas o el pelo largo se podrán enganchar a las piezas en movimiento.*
- g) **Siempre que sea posible, utilice equipos de aspiración o recogepolvos y asegúrese que estén conectados y que se utilicen correctamente.** *El uso de estos dispositivos puede reducir los riesgos que son producto del polvo.*

#### 4) Uso y cuidado de las herramientas eléctricas

- a) **No sobrecargue la herramienta eléctrica.** Según el uso, hágase una correcta selección de la herramienta eléctrica. La herramienta correctamente seleccionada funciona mejor y con mayor seguridad en el régimen de trabajo para el que ha sido diseñada.
- b) **No utilice la herramienta eléctrica si el interruptor no conmuta en posición de “conectado” y “desconectado”.** *Toda herramienta eléctrica que no pueda ser manejada con el interruptor es peligrosa y ha de ser reparada.*
- c) **Antes de efectuar cualquier ajuste, saque el enchufe de la red de alimentación, previo cambio de cualquier accesorio o antes de guardar la herramienta.** *Estas medidas de seguridad preventivas reducen el riesgo de poner en funcionamiento la herramienta eléctrica accidentalmente.*
- d) **Guarde las herramientas eléctricas que no hayan sido utilizadas en lugares que estén fuera del alcance de los niños, y**

no permita que trabajen con ella las personas que prestan servicios y desconozcan la herramienta eléctrica y estas instrucciones. *Las herramientas eléctricas son peligrosas en manos de usuarios inexpertos.*

- e) **Mantenga la herramienta eléctrica. Averigüe si sus piezas móviles funcionan correctamente y se mueven con libertad, así como la integridad y el buen estado de las piezas, como también cualquier otra circunstancia que pudiera afectar de forma desfavorable el funcionamiento de la herramienta eléctrica.** *En caso de que esté deteriorada, la herramienta habrá de repararse antes de que se continúe usando. Muchos accidentes se deben al mal mantenimiento de las herramientas eléctricas.*
- f) **Mantenga las herramientas cortantes limpias y afiladas.** *Las herramientas cortantes con bordes afilados y cortantes que tengan un mantenimiento correcto es menos probable que bloqueen y son más fáciles de manejar.*
- g) **Utilice la herramienta eléctrica, los accesorios, las piezas, etc., de acuerdo con estas instrucciones y de la forma prevista para el tipo de herramienta eléctrica concreta, tomando en consideración las condiciones laborales y el trabajo a realizar.** *El uso de la herramienta eléctrica con fines diferentes a aquellos para los que ha sido diseñada puede causar una situación de peligro.*

#### 5) Servicio

- a) **Repare su herramienta eléctrica con un técnico cualificado en reparaciones, utilizando sólo piezas de recambio originales.** *Ello garantizará el mantenimiento y la seguridad de la herramienta eléctrica.*

## IV - Normas adicionales de seguridad al operar con esmeriladoras rectas

- **Sujete la herramienta eléctrica solamente por las superficies aisladas de sujeción cuando realice una operación, en la cual el accesorio cortante puede entrar en contacto con una instalación eléctrica oculta o con su propio cable.** *El contacto del acceso-*

*rio cortante con un cable bajo tensión pondrá bajo tensión las piezas metálicas de la herramienta eléctrica que están al descubierto, y el operador sufrirá electrocución.*

- **Lleve siempre gafas de protección y antifonos, y utilice una careta antipolvo.** *El polvo que se desprende durante la operación y las partículas abrasivas pueden causar daños graves a su salud.*



**ADVERTENCIA:** Antes de conectar la herramienta eléctrica a la red de alimentación, cerciórese de que el voltaje de alimentación corresponde al indicado sobre la placa de datos técnicos de la herramienta eléctrica.

- Una fuente de alimentación con voltaje superior al indicado para la herramienta eléctrica puede causar tanto un daño grave de corriente eléctrica al operador como una avería a la herramienta eléctrica.
- Si tiene algunas vacilaciones, no introduzca el enchufe de la herramienta eléctrica en la caja de contacto.
- El uso de una fuente de alimentación con voltaje inferior al indicado sobre la placa de datos técnicos de la herramienta eléctrica dañará el motor eléctrico.



**ADVERTENCIA:** Desconecte siempre la herramienta eléctrica y saque el enchufe de la toma de corriente antes de efectuar cualquier ajuste, servicio o mantenimiento y al decaer el voltaje de alimentación.

- Después de una operación continua, las piezas metálicas externas y los accesorios pueden llegar a calentarse. No toque la herramienta de trabajo o la pieza en procesamiento inmediatamente después de haber operado: pueden estar sumamente calientes y provocar quemaduras en su piel.
- Cuide sus manos de las piezas rotatorias.
- En caso de que sea posible, utilice siempre abrazaderas o mordazas para fijar la pieza en procesamiento.
- Desconecte siempre la esmeriladora y espere hasta que el husillo deje de girar antes de guardarla.
- No sobrecargue la máquina: opere con una presión moderada. La sobrecarga es el resultado de haber aplicado una presión excesiva, con lo cual el motor eléctrico retrasa su rotación, siendo una premisa de operación inefi-

caz y de avería posible del motor eléctrico de la máquina.

- En la zona de operación no se deben dejar nunca trapos, cordones, estopas, etc.
- Antes de utilizar la herramienta eléctrica sobre una pieza concreta, conéctela y déjela operar durante cierto tiempo. Durante la operación, la herramienta eléctrica debe encontrarse por lo menos a 200 mm de la cara y del cuerpo del operador.
- Mantenga su cuerpo siempre en una posición estable. Cuando esté operando con la herramienta eléctrica en altura, cerciórese de que debajo de usted no haya nadie.
- Sujete fuertemente la herramienta eléctrica.
- La herramienta eléctrica debe usarse solamente según el fin con que ha sido concebida. Cualquier otro uso que difiera del que se describe en este manual se considera uso incorrecto. La responsabilidad por cualquier daño o lesión, derivados del uso incorrecto, será asumida por el usuario, y no por el fabricante.
- Para explotar correctamente esta herramienta eléctrica, deben cumplirse las normas de seguridad, las instrucciones generales y las indicaciones de operación que se señalan en este documento. Todas las personas que utilicen o presten servicio a esta máquina deben familiarizarse con este manual de usuario y estar informadas acerca de los peligros posibles, relacionados con esta herramienta eléctrica. Queda prohibido que los niños y las personas físicamente débiles operen con esta herramienta eléctrica. Los niños deben estar bajo vigilancia continua si se encuentran cerca de la zona de operación. Es obligatorio que se cumplan las normas de operación segura que están vigentes en su país. Ello se refiere también a las normas básicas de salud profesional y técnica de seguridad.
- El fabricante no responde por ningunas de las modificaciones, que hayan sido efectuadas en la herramienta eléctrica, ni por las averías que se derivan de ello.

Aun cuando la herramienta eléctrica se utilice según las prescripciones, no es posible eliminar todos los factores de riesgo remanentes. Pueden surgir los siguientes peligros relacionados con la construcción y el diseño de la herramienta eléctrica:

- Daños de la audición, si no se utilizan antifonos eficaces.
- Saque siempre el enchufe de la red de alimentación antes de efectuar cualquier ajuste

o procedimiento de mantenimiento, incluido el cambio de los accesorios de operación.

- La herramienta eléctrica no debe usarse al aire libre cuando esté lloviendo, en un entorno húmedo (después de llover) o cerca de líquidos y gases fácilmente inflamables. El puesto de trabajo debe estar bien iluminado.

## V - Componentes principales de la herramienta eléctrica

Antes de empezar a operar con la herramienta eléctrica, infórmese acerca de todas sus peculiaridades operativas y de las condiciones de seguridad.

Utilice la herramienta eléctrica y sus accesorios solamente según el fin con que han sido concebidos. Queda terminantemente prohibida cualquier otra aplicación.

1. Tuerca
2. Mandril
3. Husillo
4. Interruptor
5. Cable con enchufe
6. Regulador electrónico de las revoluciones

## VI - Instrucciones para la operación

Esta herramienta eléctrica se alimenta solamente mediante voltaje monofásico alterno. Puede conectarse a tomas de corriente sin bornes de protección, ya que posee doble aislamiento, según las normas EN 60745-1 e IEC 60745. Las radiointerferencias corresponden a la Directiva de Compatibilidad Electromagnética 2004/108/CE.

Esta herramienta eléctrica está destinada a trabajos de acabado de pequeño volumen para procesar piezas de metal, plástico y madera mediante herramientas abrasivas y herramientas de acero de corte rápido.

La esmeriladora recta puede emplearse para esmerilar, limpiar bordes salientes y juntas soldadas y pulir. Opera con cuerpos esmeriladores, que permiten una velocidad periférica de 45 m/s. Sobre la parte anterior de la máquina hay golletes cilíndricos formados de Ø35mm y Ø43mm para fijar un asidero u otros accesorios. Ambos modelos, MKL 710CE y MKL 550E, están provistos de un regulador electrónico de

las revoluciones para seleccionar el régimen de operación óptimo. El modelo MKL 710CE está provisto de electrónica para mantener revoluciones constantes bajo carga.

### ANTES DE EMPEZAR LA OPERACIÓN

- Revise si el voltaje de la red eléctrica corresponde al indicado en la placa de datos técnicos de la herramienta eléctrica.
- Revise la posición en que se encuentra el interruptor. La herramienta eléctrica debe conectarse y desconectarse de la red de alimentación solamente cuando el interruptor esté desconectado. Si el enchufe se ha introducido en la toma de corriente mientras que el interruptor está conectado, la herramienta eléctrica se accionará inmediatamente, lo cual es una premisa de accidente.
- Cerciórese del buen estado del cable de alimentación y del enchufe. Si el cable de alimentación está dañado, su sustitución debe efectuarse por el fabricante o por un técnico de servicio suyo para evitar los peligros de la sustitución.



**ADVERTENCIA:** Desconecte siempre la herramienta eléctrica y saque el enchufe de la toma de corriente antes de efectuar cualquier ajuste, servicio o mantenimiento y al decaer el voltaje de alimentación.

### CONEXIÓN - DESCONEJÓN

- Conexión: el patín del interruptor 4 se empuja hacia adelante hasta que su parte anterior se haya hundido, se haya fijado y haya aparecido el símbolo "I".
- Desconexión: la parte posterior levantada del interruptor 4 se aprieta y se deja retornar por sí sola hacia atrás, a la posición de salida, con lo cual aparece el símbolo "O".



**ADVERTENCIA:** Cuando la temperatura ambiental es por debajo de 0°C, la esmeriladora recta debe ponerse en funcionamiento solamente en la posición "G" del regulador electrónico de las revoluciones. Al cabo de varios minutos de operación en marcha en vacío, la máquina puede usarse también en las demás posiciones del regulador.

Durante la operación, los orificios de ventilación no se deben tapar con la mano.

## CAMBIO DEL MANDRIL DE APRIETE

El mandril de apriete 2 se sustituye al desenroscar completamente la tuerca 1 del husillo 3, sacando el mandril hacia adelante. Antes de colocar el mandril, es necesario limpiar tanto el mandril como la abertura en el husillo.

## FIJACIÓN DE LAS HERRAMIENTAS ESMERILADORAS

El tallo del cuerpo esmerilador se introduce en el mandril de apriete. El husillo 3 se retiene con la llave de tuercas S17, atiesándose la tuerca 1 con la llave S17. Deben usarse solamente llaves de tuercas en buen estado; de lo contrario, existe peligro de que la tuerca se dañe. Debe observarse que el diámetro del tallo del cuerpo esmerilador corresponda a la abertura del mandril. Atiese las herramientas esmeriladoras hasta la mayor profundidad posible en el mandril de apriete. La longitud libre  $l_0$  no debe superar una longitud determinada, que depende de las dimensiones de la herramienta esmeriladora (véanse figura 1 y tabla 1).

Tabla 1

$d_1$ , mm	b, mm	$l_2$ , mm	$l_0$ , mm
13	25	40	25
16	25	40	25
	32	40	15
	40	40	10
20	10	40	25
	20	40	20
	25	40	15
	32	40	5
25	10	40	25
	16	40	20
	20	40	15
	25	40	10

## REGULACIÓN DE LAS REVOLUCIONES

Las revoluciones pueden cambiarse suavemente de A a G al girar el potenciómetro del regulador electrónico 5, ubicado en la parte posterior de la tapa del motor.

## ACCESORIOS QUE PUEDEN UTILIZARSE CON ESTA HERRAMIENTA ELÉCTRICA

Cuerpo esmerilador con cola  $\varnothing 6$

Cuerpo esmerilador con cola  $\varnothing 8$

Mandril  $\varnothing 6$

Mandril  $\varnothing 8$

## VII - Mantenimiento



**ADVERTENCIA:** Desconecte siempre la herramienta eléctrica y saque el enchufe de la toma de corriente antes de cualquier revisión o mantenimiento.

### CAMBIO DE LOS CEPILLOS

La herramienta eléctrica está provista de cepillos que se desconectan automáticamente. Cuando los cepillos se desgasten, ambos cepillos deberán sustituirse simultáneamente por cepillos originales en un centro de servicio de SPARKY de mantenimiento de garantía y fuera de garantía.

### REVISIÓN GENERAL

Revise regularmente todos los elementos de entibación y cerciórese de que hayan sido bien atiesados. En caso de que alguno de los tornillos se haya aflojado, apriételo inmediatamente para evitar situaciones de riesgo.

Si el cable de alimentación está dañado, su sustitución debe efectuarse por el fabricante o por un técnico de servicio suyo para evitar los peligros de la sustitución.

### LIMPIEZA

Para una operación segura, mantenga la máquina y los orificios de ventilación siempre limpios. Revise regularmente si en la rejilla de ventilación, cerca del motor eléctrico o en torno a los conmutadores no han entrado polvo o cuerpos ajenos. Utilice un cepillo suave para quitar el polvo acumulado. Para proteger sus ojos, lleve gafas de protección durante la limpieza.

Si el cuerpo de la máquina necesita limpieza, límpielo con un paño suave y húmedo. Puede emplearse un detergente de limpieza suave.



**ADVERTENCIA:** No se deben usar alcohol, gasolina ni otros disolventes. No utilice nunca detergentes de limpieza corrosivos para limpiar las piezas de plástico.



**ADVERTENCIA:** El agua no debe entrar en contacto con la máquina.

**¡IMPORTANTE!** Para garantizar una operación segura con la herramienta eléctrica y su fiabilidad, todas las actividades de reparación, mantenimiento y regulación (incluidas la revisión y la sustitución de los cepillos) deben efectuarse en los centros de servicio autorizados de SPARKY, utilizando solamente piezas de recambio originales.

## VIII - Garantía

---

El plazo de garantía de las herramientas eléctricas SPARKY se determina en la tarjeta de garantía.

Los defectos que hayan surgido como consecuencia del desgaste natural, de la sobrecarga o de la explotación incorrecta se excluyen de las obligaciones de la garantía.

Los defectos que hayan surgido como consecuencia de que se hayan invertido materiales de baja calidad y/o de errores de fabricación, serán subsanados sin pago adicional, mediante sustitución o reparación.

La reclamación por una herramienta eléctrica SPARKY defectuosa será reconocida cuando la máquina haya sido devuelta al proveedor o cuando haya sido presentada en un centro de servicio de garantía autorizado en su estado sin desmontar (inicial).

## Observaciones

---

Lea atentamente todo el manual de usuario antes de usar este producto.

El fabricante se reserva el derecho de introducir mejoras y modificaciones en sus productos, así como modificar las especificaciones, sin notificarlo.

Las especificaciones pueden variar para cada país.

# Conteúdo

I - Introdução .....	44
II - Dados técnicos.....	46
III - Indicações gerais de segurança do trabalho com ferramentas eléctricas .....	47
IV - Regras adicionais de segurança do trabalho com lixadeiras direitas .....	48
V - Conhecimento da ferramenta.....	A/49
VI - Instruções para o trabalho .....	B/50
VII - Manutenção .....	51
VIII - Garantia .....	52

## DESEMBALAGEM

De acordo com as tecnologias de produção geralmente utilizadas, é pouco provável o novo instrumento eléctrico que você adquiriu ser ineficiente ou lhe faltar alguma peça. Mesmo assim, se você verificar que qualquer coisa não está bem, não trabalhe com o instrumento, enquanto a peça ineficiente não for substituída, ou a imperfeição não ficar eliminada. O não seguimento desta recomendação é capaz de provocar um acidente de trabalho grave.

## ENSAMBLAGEM

A lixadeira direita suministra-se embalada e completamente ensamblada, excepto as pinças e a porca. A pinça escolhe-se para corresponder ao diâmetro da cauda de adesão da ferramenta que vai utilizar, depois do qual monta-se com a respectiva porca na ferramenta.

## I - Introdução

O novo instrumento eléctrico SPARKY que adquiriu vai ultrapassar as suas expectativas. Ele foi fabricado de acordo com os mais elevados padrões de qualidade da SPARKY, os quais vão de encontro com as exigências mais rigorosas do consumidor. Fácil de manutenção e seguro durante a utilização, sendo correctamente manipulado, este instrumento eléctrico servir-lhe-á fielmente durante muitos anos.

### ATENÇÃO!



Leia atentamente toda a instrução para o uso, antes de começar a trabalhar com o seu novo instrumento eléctrico SPARKY. Preste especial atenção aos textos que começam com a palavra "Atenção". O seu instrumento eléctrico SPARKY possui qualidades que não de facilitar o seu trabalho. Ao ser fabricado este instrumento eléctrico, maior atenção foi prestada à segurança, às qualidades de exploração e à fiabilidade, as quais fazem dele um instrumento fácil de manutenção e de exploração.



### Não deitar o instrumento eléctrico para o lixo comum!

Os resíduos de aparelhos eléctricos não se devem misturar com o lixo comum. Mande-os para reciclagem nos lugares destinados a isso. Ponha-se em contacto com as autoridades locais ou com um representante para consultar a forma de reciclagem.

## PROTECÇÃO DO MEIO AMBIENTE



Visando a protecção do meio ambiente, o instrumento eléctrico, os seus acessórios e embalagem têm de ser submetidos a uma adequada reelaboração para serem novamente utilizadas as matérias primas contidas neles.

Para facilitar a reciclagem, as peças feitas de materiais sintéticos levam a respectiva denotação.

## DESCRIÇÃO DOS SÍMBOLOS

Sobre a chapa com os dados do instrumento eléctrico estão denotados os símbolos especiais que fornecem importante informação sobre o artefacto ou recomendações para o seu uso.



Duplo isolamento para dupla protecção.



Electrónica para a manutenção das rotações constantes mais electrónica para a selecção prévia da velocidade



Conformidade com as directrizes europeias aplicáveis.



Conformidade com as exigências dos documentos normativos russos.



Conformidade com as exigências dos documentos normativos ucranianos.




Leia a instrução para o uso.

YYYY-Www Período de fabrico, onde os símbolos variáveis são:  
YYYY – ano de fabrico,  
Www - semana em curso.

MKL Lixadeira direita.

## II - Dados técnicos

Modelo	MKL 550E	MKL 710CE
Consumo de energia	550 W	710W
Rotações ao ralenti	10000-33000 min <sup>-1</sup>	10000-30000 min <sup>-1</sup>
Diâmetro da abertura das pinças de aperto	Ø6 mm, Ø8 mm	Ø6 mm, Ø8 mm
Diâmetro máximo do corpo de lixação	25 mm	25 mm
Peso (EPTA procedimento 01/2003)	1,4 kg	1,4 kg
Classe de protecção (EN 60745-1) 	II	II
<b>INFORMAÇÃO SOBRE RUÍDO E VIBRAÇÕES</b>		
Os valores foram medidos segundo EN 60745.		
<b>Emissão de ruído</b>		
A-nível avaliado de pressão sonora L <sub>PA</sub>	81,0 dB (A)	78,0 dB (A)
Indefinição K <sub>PA</sub>	3,0 dB (A)	3,0 dB (A)
A-nível avaliado de potência sonora L <sub>WA</sub>	92,0 dB (A)	89,0 dB (A)
Indefinição K <sub>WA</sub>	3,0 dB (A)	3,0 dB (A)
<b>Utilize meios de protecção do ruído!</b>		
<b>Emissão de vibrações *</b>		
Valor global das vibrações (soma vectora pelos três eixos), determinado segundo EN 60745:		
Lixação de superfícies		
Valor das vibrações emanadas a <sub>B</sub>	6,5 m/s <sup>2</sup>	6,0 m/s <sup>2</sup>
Indefinição K	1,5 m/s <sup>2</sup>	1,5 m/s <sup>2</sup>
* As vibrações são determinadas segundo o p. 6.2.7 de EN 60745-1.		

O nível das vibrações, indicado neste manual, foi determinado com base no teste indicado por EN 60745 e pode ser utilizado para a comparação de instrumentos eléctricos. O nível das vibrações pode ser utilizado para a avaliação prévia do grau de impacto.

O nível das vibrações declarado refere-se à utilização principal do instrumento. Caso o instrumento eléctrico seja utilizado para outros fins, ou forem utilizados outros acessórios, ou o instrumento não for bem tratado, o nível das vibrações diferenciar-se-á do declarado. Em tais casos o nível do impacto pode crescer consideravelmente dentro do período laboral total.

Ao avaliar o nível de impacto das vibrações, é preciso considerar também o tempo em que o instrumento está desligado, ou está ligado, mas sem funcionar. Tal pode diminuir consideravelmente o nível do impacto dentro do período laboral total.

Mantenha o instrumento eléctrico e os acessórios em bom estado. Cuide as mãos quentes durante o trabalho – isto vai diminuir o efeito nocivo do trabalho com instrumentos de vibração elevada.

O pó resultante do processamento dos materiais tais como pinturas com conteúdo de chumbo, certos tipos de madeiras, minerais e metais, pode ser nocivo para a saúde. O contacto directo ou a aspiração do pó pode causar reacções alérgicas e/ou doenças das vias respiratórias do trabalhador ou das pessoas que se encontram perto dele.

Alguns tipos de pó, por exemplo o de carvalho ou de faia consideram-se carcinogénicos, sobretudo em combinação com ingredientes utilizados no processamento da madeira, tais como cromato ou conservantes.

O material que contém amianto tem de ser processado só por especialistas.

- Quando for possível, utilize sistemas para o desvio do pó.
- Para atingir maior grau de captação do pó, ao trabalhar com o instrumento, utilize aspirador de pó.
- Garanta a boa ventilação do local de trabalho.
- Recomenda-se o uso de máscara anti pó com filtro da classe P2.

Cumpra as regras vigentes no Seu país referentes ao processamento dos diferentes materiais.



### III - Indicações gerais de segurança do trabalho com ferramentas eléctricas



**ATENÇÃO!** Devem ser lidas todas as indicações de advertência e todas as instruções. O desrespeito das advertências e instruções apresentadas abaixo pode causar choque eléctrico, incêndio e/ou graves lesões.

**Guarde bem todas as advertências e instruções para futura referência.**

O termo “Ferramenta eléctrica” utilizado a seguir nas indicações de advertência, refere-se a ferramentas eléctricas operadas com corrente de rede (com cabo de rede) e a ferramentas eléctricas operadas com bateria (sem cabo de rede).

#### 1) Segurança da área de trabalho

- Mantenha a sua área de trabalho sempre limpa e bem iluminada. Desordem ou áreas de trabalho insuficientemente iluminadas podem levar a acidentes.
- Não trabalhar com a ferramenta eléctrica em áreas com risco de explosão, nas quais se encontrem líquidos, gases ou pós inflamáveis. Ferramentas eléctricas produzem faíscas, que podem inflamar pós ou vapores.
- Manter crianças e outras pessoas afastadas da ferramenta eléctrica durante a utilização. No caso de distração é possível que perca o controlo sobre o aparelho.

#### 2) Segurança eléctrica

- A ficha de conexão da ferramenta eléctrica deve caber na tomada. A ficha não deve ser modificada de maneira alguma. Não utilizar uma ficha de adaptação junto com ferramentas eléctricas protegidas por ligação a terra. Fichas não modificadas e tomadas apropriadas reduzem o risco de um choque eléctrico.
- Evitar que o corpo possa entrar em contacto com superfícies ligadas a terra, como tubos, aquecimentos, fogões e frigoríficos. Há um risco elevado devido a choque eléctrico, se o corpo estiver ligado a terra.
- Manter o aparelho afastado de chuva ou humidade. A infiltração de água numa fer-

ramenta eléctrica aumenta o risco de choque eléctrico.

- Não deverá utilizar o cabo para outras finalidades. Jamais utilizar o cabo para transportar a ferramenta eléctrica, para pendurá-la, nem para puxar a ficha da tomada. Manter o cabo afastado de calor, óleo, cantos afiados ou partes do aparelho em movimento. Cabos danificados ou emaranhados aumentam o risco de um choque eléctrico.
- Se trabalhar com uma ferramenta eléctrica ao ar livre, só deverá utilizar cabos de extensão apropriados para áreas exteriores. A utilização de um cabo de extensão apropriado para áreas exteriores reduz o risco de um choque eléctrico.
- Se não for possível evitar o funcionamento da ferramenta eléctrica em áreas húmidas, deverá ser utilizado uma disjuntor de corrente de avaria. A utilização de um disjuntor de corrente de avaria reduz o risco de um choque eléctrico.

#### 3) Segurança de pessoas

- Esteja atento, observe o que está a fazer e tenha prudência ao trabalhar com a ferramenta eléctrica. Não utilizar uma ferramenta eléctrica quando estiver fadigado ou sob a influência de drogas, álcool ou medicamentos. Um momento de descuido ao utilizar a ferramenta eléctrica, pode levar a lesões graves.
- Utilizar equipamento de protecção pessoal e sempre óculos de protecção. A utilização de equipamento de protecção pessoal, como máscara de protecção contra pó, sapatos de segurança antiderrapantes, capacete de segurança ou protecção auricular, de acordo com o tipo e aplicação da ferramenta eléctrica, reduz o risco de lesões.
- Evitar uma colocação em funcionamento involuntária. Assegure-se de que a ferramenta eléctrica esteja desligada, antes de conectá-la a alimentação de rede e/ou ao acumulador, antes de levantá-la ou de transportá-la. Se tiver o dedo no interruptor ao transportar a ferramenta eléctrica ou se o aparelho for conectado a alimentação de rede enquanto estiver ligado, poderão ocorrer acidentes.
- Remover ferramentas de ajuste ou chaves de boca antes de ligar a ferramenta eléctrica. Uma ferramenta ou chave que se encontre numa parte do aparelho em movimento pode levar a lesões.

e) **Evite uma posição anormal. Mantenha uma posição firme e mantenha sempre o equilíbrio.** *Desta forma é mais fácil controlar a ferramenta eléctrica em situações inesperadas.*

f) **Usar roupa apropriada. Não usar roupa larga nem jóias. Mantenha os cabelos, roupas e luvas afastadas de partes em movimento.** *Roupas frouxas, cabelos longos ou jóias podem ser agarrados por peças em movimento.*

g) **Se for possível montar dispositivos de aspiração ou de recolha, assegure-se de que estejam conectados e utilizados correctamente.** *A utilização de uma aspiração de pó pode reduzir o perigo devido ao pó.*

#### 4) Utilização e manuseio cuidadoso de ferramentas eléctricas

a) **Não sobrecarregue o aparelho. Utilize a ferramenta eléctrica apropriada para o seu trabalho.** *É melhor e mais seguro trabalhar com a ferramenta eléctrica apropriada na área de potência indicada.*

b) **Não utilizar uma ferramenta eléctrica com um interruptor defeituoso.** *Uma ferramenta eléctrica que não pode mais ser ligada nem desligada, é perigosa e deve ser reparada.*

c) **Puxar a ficha da tomada e/ou remover o acumulador antes de executar ajustes no aparelho, de substituir acessórios ou de guardar o aparelho.** *Esta medida de segurança evita o arranque involuntário da ferramenta eléctrica.*

d) **Guardar ferramentas eléctricas não utilizadas fora do alcance de crianças. Não permita que pessoas que não estejam familiarizadas com o aparelho ou que não tenham lido estas instruções, utilizem o aparelho.** *Ferramentas eléctricas são perigosas se forem utilizadas por pessoas inexperientes.*

e) **Tratar a ferramenta eléctrica com cuidado. Controlar se as partes móveis do aparelho funcionam perfeitamente e não emperram, e se há peças partidas ou danificadas que possam prejudicar o funcionamento da ferramenta eléctrica. Permitir que peças danificadas sejam reparadas antes da utilização.** *Muitos acidentes têm como causa, a manutenção insuficiente de ferramentas eléctricas.*

f) **Manter as ferramentas de corte afiadas e limpas.** *Ferramentas de corte cuidadosamente tratadas e com cantos de corte afiados emperram com menos frequência*

*e podem ser conduzidas com maior facilidade.*

g) **Utilizar a ferramenta eléctrica, acessórios, ferramentas de aplicação, etc. conforme estas instruções. Considerar as condições de trabalho e a tarefa a ser executada.** *A utilização de ferramentas eléctricas para outras tarefas a não ser as aplicações previstas, pode levar a situações perigosas.*

#### 5) Serviço

a) **Só permita que o seu aparelho seja reparado por pessoal especializado e qualificado e só com peças de reposição originais.** *Desta forma é assegurado o funcionamento seguro do aparelho.*

## IV - Regras adicionais para a segurança do trabalho com lixadeiras direitas

- **Pegue na ferramenta só pelas superfícies isoladas quando vai realizar operação na qual existe a hipótese de o acessório cortante chegar a tocar em instalação eléctrica escondida ou no seu próprio cordão.** *O contacto do acessório cortante com cabo sob tensão pode colocar as partes metálicas descobertas da ferramenta sob tensão e o operador pode sofrer choque eléctrico.*
- **Use sempre óculos protectores e antífonas, máscara anti-poeira e luvas.** *A poeira e as partículas emanadas durante o trabalho podem causar dano sério à Sua saúde.*



**ADVERTÊNCIA:** Antes de ligar a ferramenta à rede alimentadora, verifique se a tensão alimentadora corresponde à assinalada sobre a chapa dos dados técnicos da ferramenta.

- Uma fonte de alimentação de tensão superior à da assinalada para a ferramenta eléctrica, pode provocar ao operador grave lesão da corrente eléctrica, como também pode causar dano à ferramenta.
- Caso tenha quaisquer dúvidas, não meta a ficha da ferramenta eléctrica no contacto da rede.
- Uma fonte de alimentação de tensão inferior à da assinalada para a ferramenta eléctrica, pode causar dano ao motor eléctrico da ferramenta.



**ADVERTÊNCIA:** Desligue sempre a ferramenta e retire a ficha da rede, antes de efectuar qualquer conserto, reparação, ou queda da tensão alimentadora.

- Depois de trabalho prolongado, as partes metálicas externas e os acessórios podem aquecer demais. Não toque o dispositivo operacional nem o material processado imediatamente depois do trabalho – eles podem ter ficado quentes de mais e queimarem-lhe a pele.
- Mantenha as mãos longe de peças em rotação.
- Se tiver possibilidade, use sempre braçadeiras ou vise para fixar o material processado
- Desligue sempre a lixadeira e espere para o fuso deixar de girar antes de deixar de trabalhar com a máquina.
- Não sobrecarregue a ferramenta, trabalhe com pressão moderada. A sobrecarga é resultado da aplicação duma pressão exagerada por causa da qual o motor demora a sua rotação, o qual, por sua vez, constitui uma premissa para um trabalho pouco eficiente e eventual avaria do motor eléctrico.
- Na zona operacional não têm de ser deixados trapos, cabos, cordas e outros objectos semelhantes
- Antes de iniciar o trabalho com a ferramenta sobre um material concreto, conecte-a e deixe-a trabalhar um certo tempo.
- Durante o trabalho a ferramenta tem de ficar pelo menos a 200 mm da cara e do corpo do operador.
- Durante o trabalho, sempre mantenha uma posição estável do corpo. Ao trabalhar com a ferramenta a uma determinada altura, convença-se de que debaixo de si não há ninguém.
- Pegue bem na ferramenta.
- A ferramenta tem de se utilizar só para o que for destinada. Qualquer outro uso, diferente do que se descreve na presente instrução considerar-se-á uso incorrecto. A responsabilidade de qualquer dano ou lesão em resultado do uso incorrecto, será assumida pelo consumidor e não pelo fabricante.
- Para trabalhar correctamente com esta ferramenta, é preciso observar as regras de segurança, as instruções gerais e as recomendações para o trabalho aqui assinaladas. Todo utente tem de conhecer esta instrução para o uso da ferramenta e tem de estar informado sobre os eventuais riscos ao trabalhar com a

ferramenta eléctrica. Crianças e pessoas de físico fraco não têm de utilizar a ferramenta. As crianças têm de encontrar-se sob constante controlo, quando se encontram perto do lugar de trabalho com a ferramenta. É também obrigatório tomar medidas preventivas de segurança. O mesmo refere-se também ao acatamento das regras fundamentais de segurança e saúde profissional.

- O fabricante não assume a responsabilidade pelas modificações introduzidas pelo utente na ferramenta eléctrica ou pelas avarias causadas por tais modificações.

Mesmo quando a ferramenta é utilizado segundo a sua destinação, é impossível eliminar todos os factores de risco residuais. As ameaças mais abaixo enumeradas podem decorrer das especificidades construtivas e do design da ferramenta eléctrica.

- Problemas dos pulmões, caso não seja utilizada máscara eficiente contra a poeira.
- Problemas auditivos, caso não sejam utilizados meios de protecção eficazes.
- Desligue sempre a ferramenta e retire a ficha da rede, antes de efectuar qualquer conserto, reparação, ou mudança dos acessórios operacionais.
- A ferramenta eléctrica não tem de se usar à intempérie em tempo de chuva, em ambiente úmido (depois de chuva) ou perto de líquidos e gases inflamáveis. O local de trabalho tem de se manter bem iluminado.

## V - Conhecimento da ferramenta

Antes de iniciar o trabalho com a ferramenta eléctrica conheça todas as particularidades operacionais e condições de segurança.

Use a ferramenta e seus acessórios só para o que forem destinados. Qualquer outro uso fica terminantemente proibido.

1. Porca
2. Pinça
3. Fuso
4. Interruptor
5. Cordão com ficha
6. Regulador electrónico das rotações

## VI - Instruções para o trabalho

Esta ferramenta eléctrica alimenta-se só por tensão monofásica variável. Tem duplo isolamento de acordo com EN 60745-1 e IEC 60745 e pode-se ligar a contactos sem braçadeiras de segurança. As interferências de rádio correspondem à Directriz de compatibilidade electromagnética 2004/108/EC.

Esta ferramenta é destinada para trabalhos de acabamento de pequeno volume em peças de metal, plástico e madeira com instrumentos abrasivos e instrumentos de aço de alta velocidade.

A lixadeira direita pode ser usada para lixação, fresagem, limpeza de bordas salientes e soldas, polimento.

Trabalha com corpos de lixar que admitem velocidade periférica de 45 m/s. Sobre a parte da frente da ferramenta encontram-se pescoços cilíndricos Ø35mm e Ø43mm para sujeitar manipula ou outros acessórios. Os dois modelos MKL 710CE e MKL 550E são providos de regulador electrónico das rotações para escolha de regime operacional óptimo. O modelo MKL 710CE tem electrónica para manter as rotações constantes sob carga.

### ANTES DE COMEÇAR O TRABALHO

- Verifique se a tensão alimentadora corresponde à assinalada sobre a chapa dos dados técnicos da ferramenta.
- Verifique a posição do interruptor. A ferramenta eléctrica tem de se ligar e desligar da rede só com o interruptor desligado. Se colocar a ficha no contacto quando o interruptor estiver ligado, o instrumento vai accionar-se imediatamente, o que é uma premissa para acidente.
- Convença-se da perfeição do cabo alimentador e da ficha. Se o cabo estiver avariado, a substituição tem de se fazer pelo fabricante ou pelo seu especialista no serviço, para se evitarem os eventuais riscos.



**ADVERTÊNCIA:** Desligue sempre a ferramenta da rede quando vai fazer qualquer revisão ou manutenção ou no caso de queda da tensão alimentadora.

### ARRANCO - PARAGEM

- Arranco: o deslizador do interruptor 4 empurra-se para frente até que a sua parte da frente se afunde, fique travada e apareça o símbolo "I".

- Paragem: o extremo traseiro elevado do interruptor 4 aperta-se e deixa-se voltar por si só para trás na posição de partida em que aparece o símbolo "0"



**ADVERTÊNCIA:** Sendo a temperatura do ambiente inferior aos 0°C, a lixadeira direita tem de ser accionada só na posição "G" do regulador electrónico das rotações. Depois de poucos minutos de trabalho ao ralenti, a ferramenta pode ser usada também nas outras posições do regulador.

Durante o trabalho procurar de não obstruir com a mão as aberturas de ventilação.

### SUBSTITUIÇÃO DA PINÇA DE APERTO

A pinça de aperto 2 substitui-se desenrolando a porca 1 do fuso 2 e empurrando a pinça para frente. Antes de colocar a nova pinça, limpe-a bem, assim como a abertura no fuso.

### AFIXAÇÃO DOS CORPOS DE LIXAR

O tronco do corpo de lixar mete-se na pinça de aperto. O fuso 3 retém-se com a chave inglesa S 17, ao passo que a porca 1 aperta-se com a chave S17. Use só chaves inglesas em perfeito estado, caso contrário existe o perigo de danificar a pinça. Verifique se o diâmetro do tronco do corpo de lixar corresponde à abertura da pinça. Aperte os corpos de lixar na maior profundidade possível dentro da pinça de aperto. O comprimento livre 10 não tem de ultrapassar um determinado comprimento que depende das dimensões do corpo de lixar (ver. fig.1 e quadro 1)

Quadro 1

$d_1$ , mm	b, mm	$l_2$ , mm	$l_0$ , mm
13	25	40	25
16	25	40	25
	32	40	15
	40	40	10
20	10	40	25
	20	40	20
	25	40	15
	32	40	5
25	10	40	25
	16	40	20
	20	40	15
	25	40	10

## REGULAÇÃO DAS ROTAÇÕES

As rotações podem ser reguladas gradualmente de A a G mediante rotação do potenciômetro do regulador electrónico 5 que fica na parte traseira da tampa do motor.

## ACESSÓRIOS QUE PODEM SER USADOS COM ESSA FERRAMENTA

- Corpo de lixar com cauda Ø6
- Corpo de lixar com cauda Ø8
- Pinça Ø6
- Pinça Ø8

## VII - Manutenção



**ADVERTÊNCIA:** Sempre desconecte a ferramenta eléctrica e retire a ficha da rede de contacto antes de realizar qualquer revisão ou manutenção.

## SUBSTITUIÇÃO DAS ESCOVAS

A ferramenta está provida de escovas auto-stop. Quando as escovas ficarem gastas, têm de ser substituídas ambas ao mesmo tempo por escovas originais na oficina da SPARKY de assistência no prazo de garantia e fora dele.

## REVISÃO GERAL

Revise regularmente todos os elementos de suporte e convença-se de que estão bem apertados. Caso algum parafuso se tenha afrouxado, aparafuse-o imediatamente para evitar situações de risco (Fig.13).

Caso o cabo alimentador tenha ficado avariado,

a substituição tem de se fazer pelo fabricante ou pelo seu especialista na oficina de assistência autorizada, para assim evitar os perigos decorrentes da substituição.

## LIMPEZA

Em vista da segurança do trabalho, mantenha sempre limpas a máquina e as aberturas de ventilação.

Revise regularmente se na grade de ventilação perto do motor eléctrico ou ao redor dos comutadores não tenham penetrado pó ou outros corpos alheios. Use uma escova macia para limpar o pó acumulado. Para proteger os olhos, durante a limpeza use óculos protectores.

Caso o corpo da ferramenta precise de limpeza, use um pano macio úmido. Pode usar qualquer detergente fraco.



**ADVERTÊNCIA:** Não se admite o uso de álcool, gasolina ou outros solventes. Nunca use produtos corrosivos para limpar as partes de plástico.



**ADVERTÊNCIA:** Não se admite a penetração de água em contacto com a ferramenta.

**ATENÇÃO!** Para garantir o trabalho seguro com a ferramenta e sua maior confiança, todas as actividades de reparação, manutenção e regulação (incluindo a revisão e substituição das escovas) têm de se fazer nas oficinas autorizadas da SPARKY, utilizando só peças de sobresselente originais

## VIII - Garantia

---

O prazo de garantia dos instrumentos eléctricos SPARKY está indicado no cartão de garantia. Problemas surgidos em resultado do desgaste natural, sobrecarga ou utilização incorrecta, ficam excluídos dos deveres da garantia. Os problemas surgidos devido ao uso de materiais de baixa qualidade e/ou erros de fabricação, eliminam-se sem pagamento adicional mediante substituição ou reparação.

Reclamação por um instrumento eléctrico SPARKY defeituoso reconhece-se quando o instrumento for devolvido ao distribuidor ou for levado a uma oficina autorizada de assistência em prazo de garantia no seu estado inicial (montado).

## Observações

---

Leia atentamente toda a instrução para o uso, antes de começar a trabalhar com este aparelho. O fabricante reserva-se o direito de introduzir melhoras e modificações nos seus aparelhos, bem como modificar as especificações sem aviso.

As especificações podem variar de país para país.

# Spis treści

I - Wprowadzenie .....	53
II - Dane techniczne .....	55
III - Ogólne wytyczne dotyczące bezpieczeństwa pracy narzędziami elektrycznymi .....	56
IV - Wskazania dodatkowe o bezpieczeństwie użytkownika szlifierek prostych .....	57
V - Zapoznanie się z elektronarzędziem .....	A/58
VI - Instrukcje o pracy .....	B/58
VII - Konserwacja.....	60
VIII - Gwarancja .....	61

## ROZPAKOWYWANIE

Ze względu na nowoczesne metody produkcji masowej, istnieje niewielkie prawdopodobieństwo, iż zakupione przez Państwa narzędzie jest wadliwe, bądź niekompletne. W przypadku stwierdzenia jakichkolwiek nieprawidłowości, nie uruchamiać narzędzia do chwili wymiany części lub usunięcia usterki. Niezastosowanie się do tego zalecenia może skutkować poważnym uszkodzeniem ciała.

## MONTAŻ

Szlifierka prosta dostarczana jest zapakowana i zmontowana w pełni, z wyjątkiem tulei zaciskowej oraz nakrętki. Tuleja zaciskowa wybierana jest aby odpowiadała średnicy chwytu przyłączającego narzędzia, którego będą Państwo używać, po czym montowana jest razem z nakrętką na maszynie.

## I - Wprowadzenie

Zakupione przez Państwa elektronarzędzie marki SPARKY spełni nawet najbardziej wygórowane oczekiwania użytkownika. Zostało ono wyprodukowane z zachowaniem rygorystycznych norm jakościowych SPARKY, aby zagwarantować doskonałe parametry pracy. Przekonają się Państwo, że Wasze nowe narzędzie jest łatwe i bezpieczne w obsłudze i, przy zachowaniu odpowiednich zasad użytkowania, będzie Wam niezawodnie służyć przez wiele lat.

## OSTRZEŻENIE!



Prosimy o dokładne zapoznanie się z niniejszą instrukcją obsługi przed użyciem urządzenia SPARKY, zwracając szczególną uwagę na ostrzeżenia i uwagi. Dzięki swoim cechom, urządzenie SPARKY zapewnia szybką i łatwą pracę. Bezpieczeństwo, niezawodność i wydajność były priorytetami przy konstruowaniu tego urządzenia aby zapewnić łatwość obsługi oraz utrzymania.



**Nie wyrzucać produktów elektrycznych razem z odpadami z gospodarstw domowych!** Zużyte artykuły elektryczne nie powinny być wyrzucane wraz z odpadami z gospodarstw domowych. Należy je utylizować w przeznaczonych do tego miejscach. Informacji na temat utylizacji udzielają władze lokalne bądź sprzedawcy.

## OCHRONA ŚRODOWISKA



Utylizując urządzenie, osprzęt i opakowanie należy poddać poszczególne elementy sortowaniu z myślą o ochronie środowiska naturalnego. Elementy plastikowe zostały odpowiednio oznaczone, aby umożliwić utylizację wg odpowiedniej klasyfikacji odpadów.

## OPIS SYMBOLI

Na tabliczce znamionowej narzędzia mogą znajdować się symbole oznaczające ważne informacje o produkcie lub instrukcji jego użytkowania.



Podwójna izolacja dla dodatkowego zabezpieczenia.



Elektronika utrzymania stałych obrotów oraz elektronika wstępnego doboru obrotów



Zgodność ze stosowanymi dyrektywami europejskimi.



Zgodność z wymogami rosyjskich dokumentów normatywnych.



Zgodność z wymogami ukraińskich dokumentów normatywnych.




Zapoznanie się z instrukcją obsługi.

YYYY-Www    Okres produkcji, gdzie zmiennymi symbolami są:  
YYYY - rok produkcji,  
Www - kolejny tydzień kalendarzowy.

MKL            Szlifierka prosta.



## II - Dane techniczne

Model	MKL 550E	MKL 710CE
Moc pobierana	550 W	710W
Obroty nominalne	10000-33000 min <sup>-1</sup>	10000-30000 min <sup>-1</sup>
Średnica otworu tulei zaciskowych	Ø6 mm, Ø8 mm	Ø6 mm, Ø8 mm
Maksymalna średnica szlifu szlifierskiego	25 mm	25 mm
Waga (EPTA procedura 01/2003)	1,4 kg	1,4 kg
Klasa ochrony (EN 60745-1) 	II	II
<b>INFORMACJE O HAŁASIE I WIBRACJI</b>		
Wartości wymierzano zgodnie z EN 60745.		
<b>Emisje hałasu</b>		
A-poziom ważony ciśnienia akustycznego L <sub>pA</sub>	81,0 dB (A)	78,0 dB (A)
Nieokreśloność K <sub>pA</sub>	3,0 dB (A)	3,0 dB (A)
A- poziom ważony mocy akustycznej L <sub>WA</sub>	92,0 dB (A)	89,0 dB (A)
Nieokreśloność K <sub>WA</sub>	3,0 dB (A)	3,0 dB (A)
<b>Należy korzystać z środków ochrony przed hałasem!</b>		
<b>Emisje wibracji *</b>		
Wartość ogólna wibracji (suma wektorowa w trzech osiach), określona zgodnie z EN 60745:		
Szlifowanie powierzchni		
Wartość emitowanych wibracji a <sub>v</sub>	6,5 m/s <sup>2</sup>	6,0 m/s <sup>2</sup>
Nieokreśloność K	1,5 m/s <sup>2</sup>	1,5 m/s <sup>2</sup>
* Wibracje zostały wymierzone zgodnie z pkt. 6.2.7 EN 60745-1.		

Podany w niniejszej instrukcji poziom drgań został zmierzony zgodnie z określoną przez normę EN 60745 procedurą i może być używany do porównywania urządzeń. Może być stosowany do wstępnego określenia ekspozycji.

Deklarowany poziom emisji drgań odnosi się do głównego zastosowania urządzenia. Jeżeli urządzenie zostanie przeznaczone do innych zastosowań, z innym osprzętem lub nie będzie należycie konserwowane, poziom emisji wibracji może się różnić. Może to znacznie zwiększyć poziom ekspozycji w łącznym czasie pracy.

Aby dokładnie określić poziom ekspozycji na drgania, należy także brać pod uwagę okresy gdy urządzenie jest wyłączone, lub gdy nawet jest włączone, ale nie wykorzystywane do pracy. Może to znacznie obniżyć poziom ekspozycji na drgania w łącznym czasie pracy.

Chronić urządzenie oraz osprzęt oraz dbać o zapewnienie ciepła dłoniom podczas pracy w celu obniżenia szkodliwego wpływu drgań.

Pył z takich materiałów jak np. farba zawierająca ołów, niektóre gatunki drewna, minerały oraz metal może być szkodliwy. Kontakt lub inhalacja pyłów może spowodować reakcje alergiczne i/lub choroby układu oddechowego u operatora lub osób znajdujących się w bezpośredniej bliskości.

Pewne odmiany pyłów sklasyfikowane są jako rakotwórcze np. pył dębowy czy bukowy w szczególności w połączeniu z dodatkami zawierającymi chromaty i środki konserwujące. Materiały zawierające azbest mogą być obrabiane jedynie przez specjalistów.

- Tam gdzie możliwe jest stosowanie odciągu pyłów należy je stosować.
- Aby uzyskać wysoką skuteczność odciągu pyłów, stosować odkurzacz do drewna lub do drewna i minerałów wraz z niniejszym urządzeniem.
- Miejsce pracy musi być dobrze wentylowane.
- Zaleca się stosowanie maski p.pyłowej lub filtrów klasy P2.

Przestrzegać przepisów krajowych odnośnie obrabianych materiałów.

### III - Ogólne wytyczne dotyczące bezpieczeństwa pracy narzędziami elektrycznymi



**OSTRZEŻENIE:** Należy zapoznać się z niniejszą ogólną instrukcją bezpieczeństwa oraz całą instrukcją obsługi. *Nie przestrzeganie niniejszych instrukcji może spowodować porażenie prądem, pożar i/lub poważne obrażenia.*

**Zachować niniejsze instrukcje na przyszłość.**

Określenie „elektronarzędzie” odnosi się zarówno do urządzeń zasilanych z sieci (przewodowych) jak i zasilanych bateriami (bezprowadowych).

#### 1) Bezpieczeństwo w miejscu pracy

- Miejsce pracy musi być zawsze dobrze oświetlone i czyste. *Niedoświetlenie oraz nieład mogą być przyczyną wypadków.*
- Nie należy używać urządzenia w obecności palnych płynów, gazów i pyłów. *Podczas pracy urządzenia powstają iskry, które mogą zapalić pyły lub opary.*
- Dzieci i osoby postronne nie powinny znajdować się w miejscu pracy elektronarzędziami. *Brak skupienia może spowodować utratę kontroli nad urządzeniem.*

#### 2) Bezpieczeństwo elektryczne

- Wtyczka urządzenia musi pasować do gniazda zasilającego. *Nie wolno modyfikować wtyczki w jakikolwiek sposób. Nie stosować żadnych adapterów w przypadku elektronarzędzi wymagających uziemienia. Nie modyfikowane wtyczki oraz gniazda zasilające redukują ryzyko porażenia prądem.*
- Unikać kontaktu z uziemionymi przedmiotami takimi jak, rury, grzejniki, piece i lodówki. *Ryzyko porażenia prądem wzrasta gdy ciało użytkownika zostanie uziemione.*
- Nie narażać urządzenia na kontakt z deszczem lub wilgocią. *Woda wnikać do urządzenia zwiększa ryzyko porażenia prądem.*
- Traktować przewód zasilający zgodnie z przeznaczeniem. *Nigdy nie stosować przewodu do przenoszenia, przeciągania lub odłączania urządzenia od zasilania.*

Chronić przewód przed źródłem ciepła, olejami, przedmiotami o ostrych brzościach, ruchomymi częściami urządzeń. *Uszkodzony lub splątany przewód zwiększa ryzyko porażenia prądem.*

- Podczas pracy na zewnątrz należy zawsze stosować odpowiedni przewód przedłużający przystosowany do pracy na zewnątrz. *Stosowanie przewodu przeznaczonego do pracy na zewnątrz zmniejsza ryzyko porażenia prądem.*
- Jeżeli nie ma możliwości uniknięcia pracy elektronarzędziem w wilgotnym środowisku, należy stosować zasilanie wyposażone w wyłącznik różnicowoprądowy. *Stosowanie wyłącznika różnicowoprądowego redukuje ryzyko porażenia prądem.*

#### 3) Bezpieczeństwo osobiste

- Zawsze należy pracować w należyłym skupieniu i kierować się rozsądkiem. *Nie używać urządzenia będąc zmęczonym lub pozostając pod wpływem narkotyków, alkoholu lub będąc w trakcie leczenia. Chwila nieuwagi podczas pracy urządzeniem może być przyczyną poważnych uszkodzeń ciała.*
- Stosować wyposażenie ochronne. *Zawsze używać ochrony oczu. Wyposażenie takie jak maska pyłowa, buty na podszewie antypoślizgowej, kask, ochronniki słuchu, stosowane w odpowiednich warunkach, redukuje zagrożenie uszkodzenia ciała.*
- Unikać przypadkowego włączenia urządzenia. *Upewnić się, że wyłącznik znajduje się w położeniu „wyłączony” przed podłączeniem urządzenia do źródła zasilania lub baterii. Przenoszenie urządzenia trzymając za wyłącznik lub podłączając je do zasilania z wyłącznikiem w pozycji: „włączone” może być przyczyną wypadków.*
- Usunąć wszelkie klucze przed włączeniem urządzenia. *Pozostawienie klucza w rotującej części urządzenia może spowodować obrażenia ciała.*
- Nie przeceniać własnych możliwości. *Zawsze dbać o odpowiednie oparcie dla nóg oraz balans. Zapewni to lepszą kontrolę w nieoczekiwanych sytuacjach.*
- Stosować odpowiednie ubranie. *Nie nosić luźnych ubrań ani biżuterii. Nie zbliżać włosów, ubrania ani rękawic roboczych do ruchomych części urządzenia. Luźne ubranie, biżuteria lub długie włosy*

mogą utkwic w ruchomych częściach urządzenia.

- g) Jeśli urządzenie jest wyposażone w adapter odprowadzania pyłów, należy sprawdzić czy jest odpowiednio podłączony i używany. Stosowanie systemu odprowadzania pyłów może obniżyć niebezpieczeństwa związane z pyleniem.

#### 4) Używanie i konserwacja urządzenia

- a) Nie przeciążać urządzenia. Stosować odpowiednie urządzenie do każdej pracy. Należy użyć dobrego urządzenia wykonającego pracę lepiej i bezpieczniej w trybie do jakiego zostało zaprojektowane
- b) Nie używać urządzenia jeśli włącznik nie działa. Każde urządzenie z uszkodzonym włącznikiem jest niebezpieczne i musi zostać naprawione.
- c) Zawsze należy odłączyć urządzenie od zasilania lub odłączyć baterie przed zmianą ustawień, wymianą akcesoriów lub odłożeniem po pracy. Takie działanie zmniejszy ryzyko przypadkowego włączenia urządzenia.
- d) Nieużywane urządzenie należy chronić przed dziećmi oraz nie zezwalać niepowołanym osobom nie znającym tego urządzenia lub niniejszej instrukcji na pracę tym urządzeniem. Elektronarzędzia są niebezpieczne w rękach nieprzeszkolonych osób.
- e) Konserwować elektronarzędzia. Sprawdzając połączenia części ruchomych, ewentualne uszkodzenia oraz inne czynniki mogące mieć wpływ na działanie urządzenia. W przypadku stwierdzenia uszkodzenia należy naprawić urządzenie przed dalszym użytkowaniem. Wiele wypadków spowodowanych jest nienależytą konserwacją urządzenia.
- f) Narzędzia tnące zawsze muszą być ostre. Odpowiednio konserwowane narzędzia tnące z ostrymi krawędziami rzadziej się zacinają w obrabianym materiale i są łatwiejsze w obsłudze.
- g) Niniejsze urządzenie oraz osprzęt do niego muszą być używane zgodnie z niniejszą instrukcją obsługi oraz w zakresie przewidzianym dla danego typu urządzenia. Zawsze należy brać pod uwagę rodzaj pracy do wykonania oraz warunki panujące w miejscu pracy. Użycie elektronarzędzi do celów innych niż opisane w niniejszej instrukcji obsługi może spowodować niebezpieczne sytuacje.

#### 5) Serwis

- a) Niniejsze urządzenie należy serwisować wyłącznie w wykwalifikowanych serwisach z wykorzystaniem oryginalnych części zamiennych. Takie postępowanie zapewni należyte bezpieczeństwo elektronarzędzia.

## IV - Wskazania dodatkowe o bezpieczeństwie użytkownika szlifierek prostych

- Trzymać elektronarzędzie tylko za powierzchnie izolowane do uchwytu, gdy wykonywana jest operacja, podczas której możliwe jest dotknięcie części tnącej do schowanej instalacji elektrycznej albo do własnego przewodu. Dotknięcie części tnącej do przewodu zasilającego spowoduje zasilanie odkrytych części metalowych elektronarzędzia i u operatora występuje wstrząs elektryczny.
- Zawsze nosić okulary ochronne oraz antyfony, używać maski przeciw wdychaniu kurzu. Wydzielane podczas pracy pyły i cząstki ścierne mogą poważnie uszkodzić Państwa zdrowie.



**OSTRZEŻENIE:** Przed połączeniem elektronarzędzia do sieci elektrycznej, należy sprawdzić czy zasilanie odpowiada napięciu wskazanemu na tabliczce z danymi technicznymi elektronarzędzia.

- Zasilanie wyższe od wskazanego dla elektronarzędzia mogłoby spowodować zepsucie elektronarzędzia, a nawet poważne uszkodzenie operatora prądem elektrycznym.
- W wypadku jachichkolwiek wahań, nie wkładać wtyczki elektronarzędzia do gniazda wtyczkowego.
- Zasilanie niższe od wskazanego na tabliczce elektronarzędzia uszkodzi silnik elektryczny.



**OSTRZEŻENIE:** Zawsze wyłączać elektronarzędzie i wyciągać wtyczkę z gniazda przed wykonaniem wszelkich nastawień, obsługi albo konserwacji oraz przy spadzie napięcia zasilania.

- Po długotrwałej pracy zewnętrzne części metalowe oraz przybory mogą rozżarzyć. Nie dotykać narzędzia albo obrabianego elementu zaraz po pracy- one mogą być wyjątkowo gorące i możliwe jest spalenie skóry.
- Strzec ręce przed częściami obrotowymi.
- Jeśli możliwe, zawsze używać klamer albo imadła do zamocowania obrabianego elementu.
- Zawsze wyłączać maszynę szlifierską i czekać na zatrzymanie kręcenia wrzeciona przed zastawieniem.
- Nie obciążać nadmiernie maszyny: pracować naciskiem umiarkowanym. Przeciążenie jest rezultatem stosowania nadmiernego nacisku, w wyniku czego silnik elektryczny zwleka kręcenie, co stanowi warunek nieskutecznej pracy oraz ewentualnego uszkodzenia silnika elektrycznego maszyny.
- Nigdy nie zostawiać w zasięgu pracy szmat, sznurów, pakul i t.d.
- Przed używaniem elektronarzędzia na poszczególne elementy, włączyć je i zostawić działać przez jakiś czas. Podczas pracy elektronarzędzie musi znajdować się co najmniej 200 mm od twarzy i ciała.
- Zawsze trzymać stabilną postać ciała. Kiedy Państwo pracują elektronarzędziem na wysokości, należy upewnić się, że pod Państwem nie ma nikogo.
- Trzymać mocno elektronarzędzie.
- Elektronarzędzia należy używać wyłącznie według jego przeznaczenia. Wszelkie inne użycie różniące się od opisanego w niniejszej instrukcji, uważane jest za nieprawidłowe użycie. Za wszelkie uszkodzenia albo zadrapania wynikające z użycia nieprawidłowego, odpowiadał będzie użytkownik, ale nie producent.
- Aby używać niniejszego elektronarzędzia w sposób prawidłowy, należy przestrzegać zasady bezpieczeństwa, instrukcje montowania oraz instrukcje eksploatacji opisane w niniejszym dokumencie. Wszyscy użytkownicy używający albo obsługujący tę maszynę muszą zapoznać się z niniejszą instrukcją eksploatacji oraz poinformować się o potencjalnych ryzykach związanych z niniejszym elektronarzędziem. Dzieci i ludzie słabi fizycznie nie powinni używać elektronarzędzia. Dzieci muszą być cały czas pod obserwacją w wypadku, że znajdują się w zasięgu pracy. Obowiązkowo należy przestrzegać zasady bezpieczeństwa pracy, które są w mocy w Państwa kraju. To samo odnosi się także do przestrzegania podstawowych zasad zdrowia

profesjonalnego i techniki bezpieczeństwa.

- Producent nie jest odpowiedzialny za wszelkie zmiany elektronarzędzia albo za uszkodzenia wynikające z podobnych zmian. Nawet gdy elektronarzędzie używane jest według jego zastosowania, nie jest możliwa eliminacja wszystkich pozostałych czynników ryzyka. Mogłyby powstać następujące niebezpieczeństwa związane z konstrukcją i dizajnem elektronarzędzia:
  - Uszkodzenie słuchu w wypadku nie używania efektywnych antyfonów.
  - Zawsze wyjmować wtyczkę z sieci zasilającej przed wykonaniem wszelkich nastawień albo procedur konserwacji, włącznie zmiany oprzyrządowania.
  - Elektronarzędzie nie musi być używane pod gołym niebem podczas opadów, w wilgotnym środowisku (po deszczu) albo blisko do łatwopalnych cieczy i gazów. Miejsce pracy musi być dobrze oświetlone.

## V - Zapoznanie się z elektronarzędziem

Przed rozpoczęciem pracy z elektronarzędziem, prosimy zapoznać się ze wszystkimi operatywnymi cechami oraz warunkami bezpieczeństwa. Prosimy o używanie elektronarzędzia oraz jego oprzyrządowania tylko według jego zastosowania. Każde inne zastosowanie jest kategorię zbrojone.

1. Nakrętka
2. Tuleja zaciskowa
3. Wrzeciono
4. Wtycznik
5. Przewód sznurowy z wtyczką
6. Regulator elektroniczny obrotów

## VI - Instrukcje o pracy

Niniejsze elektronarzędzie zasilane jest tylko jednofazowym napięciem przemiennym. Może być podłączane do gniazdek bez zacisków ochronnych, ponieważ jest o izolacji podwójnej zgodnie z EN 60745-1 oraz IEC 60745. Zakłócenia radiowe odpowiadają Dyrektywie kompatybilności elektromagnetycznej 2004/108/EC.

Niniejsze elektronarzędzie przeznaczone jest na drobne obrabiania końcowe elementów z metalów, z tworzyw sztucznych i z drewna za pomocą narzędzi ściernych oraz narzędzi ze stali szybko tnącej.

Szlifierki prostej można używać do szlifowania,

frezowania, oczyszczenia spoin oraz polerowania. Szlifierka prosta działa za narzędziami szlifierskimi dopuszczającymi prędkości obwodowej 45 m/s. Na przedniej części maszyny są uformowane walcowe szyjki o średnicy Ø35mm i Ø43mm do zamocowania uchwytu albo innych przyrządów. Oba modele MKL 710CE i MKL 550E są wyposażone regulatorem elektronicznym obrotów na dobór optymalnego stanu pracy. Model MKL 710CE wyposażony jest elektroniką utrzymania stałych obrotów pod obciążeniem.

## PRZED ROZPOCZĘCIEM PRACY

- Należy sprawdzić czy zasilanie sieci elektrycznej odpowiada napięciu wskazanemu na tabliczce z danymi technicznymi elektronarzędzia.
- Należy sprawdzić pozycję wyłącznika. Elektronarzędzie musi być połączone i wyłączone z sieci zasilania tylko gdy wyłącznik jest wyłączony. W wypadku włożenia wtyczki do gniazda kiedy wyłącznik jest w pozycji włączonej, elektronarzędzie zaraz zacznie działać, co stanowi wyrunek wypadku.
- Należy upewnić się, że przewód zasilający oraz wtyczka są sprawne. Jeśli przewód zasilający jest uszkodzony, zmiana powinna być dokonana przez producenta albo jego specjalistę serwisowego, aby zapobiec niebezpieczeństwom zmiany.



**OSTRZEŻENIE:** Zawsze wyłączać elektronarzędzie i wyjmować wtyczkę z gniazda przed wykonaniem wszelkiego nastawienia, obsługi albo konserwacji oraz w wypadku spadku napięcia zasilającego.

## URUCHOMIENIE – HAMOWANIE

- Uruchomienie: suwak wyłącznika 4 wypchnąć do przodu, aż jego przednia część wpadnie, zatrzyma się i pojawi się symbol "I".
- Hamowanie: nacisnąć tylną podnoszoną część wyłącznika 4 i zostawić ją, aby sama wróciła do pozycji wyjściowej, przy czym pojawia się symbol "O".



**OSTRZEŻENIE:** Przy temperaturze zewnętrznej pod 0°C, uruchamiać szlifierkę prostą tylko w pozycji "G" regulatora elektronicznego obrotów. Po kilku minutach pracy na biegu jałowym można używać maszyny także przy innych pozycjach regulatora.

Podczas pracy nie zaślepiac otworów wentylacyjnych ręką.

## ZMIANA TULEI ZACISKOWEJ

Tuleja zaciskowa 2 wymienia się rozkręcając do końca nakrętkę 1 z wrzeciona 3 i wyjmując tuleję do przodu. Przed wstawieniem tulei zaciskowej należy wyczyścić tuleję oraz otwór wrzeciona.

## MOCOWANIE NARZĘDZI SZLIFIERSKICH

Włożyć chwyt narzędzia szlifierskiego do tulei zaciskowej. Zatrzymać wrzeciono 3 kluczem maszynowym S17, a nakrętkę 1 dokręcić kluczem maszynowym S17. Używać tylko nieuszkodzonych kluczy maszynowych, w przeciwnym wypadku istnieje niebezpieczeństwo uszkodzenia nakrętki. Przestrzegać średnicy chwytu narzędzia szlifierskiego, aby odpowiadała otworowi tulei zaciskowej. Dokręcać narzędzia szlifierskie jak najgłębiej w tulei zaciskowej. Długość swobodna l0 nie musi przewyższać jednej określonej długości, która zależy od wymiarów narzędzia szlifierskiego (zobacz rys. 1 oraz tabl. 1).

Tablica 1

d <sub>1</sub> , mm	b, mm	l <sub>2</sub> , mm	l <sub>0</sub> , mm
13	25	40	25
	25	40	25
	32	40	15
20	40	40	10
	10	40	25
	20	40	20
	25	40	15
25	32	40	5
	10	40	25
	16	40	20
	20	40	15
25	25	40	10

## REGULOWANIE OBROTÓW

---

Obroty można regulować płynnie z A do G, kręćąc potencjometr regulatora elektronicznego 5, który znajduje się z tylnej strony pokrywki silnika.

## PRZYBORY, KTÓRE MOGĄ BYĆ UŻYWANE Z NINIEJSZYM ELEKTRONARZĘDZIEM

---

Szlif szlifierski z chwytem Ø6  
Szlif szlifierski z chwytem Ø8  
Tuleja zaciskowa Ø6  
Tuleja zaciskowa Ø8

## VII - Konserwacja

---



**OSTRZEŻENIE:** Zawsze wyłączać elektronarzędzie i wyjmować wtyczkę z gniazda przed wszelkim sprawdzaniem albo konserwacją.

### ZMIANA SZCZOTEK WĘGLOWYCH

---

Elektronarzędzie wyposażone jest w samoodłączalne szczotki węglowe. Gdy szczotki są zużyte, należy zmienić jednocześnie obu szczotek z oryginalnymi szczotkami węglowymi w serwisie SPARKY gwarancyjnej i pozagwarancyjnej konserwacji.

### SPRAWDZANIE OGÓLNE

---

Sprawdzać regularnie wszystkie elementy mocujące i upewnić się, że one są dobrze dokręcone. W wypadku, że niektóra ze śrób jest rozluźniona, należy dokręcić ją natychmiast, aby zapobiec sytuacjom ryzyka.

Jeśli przewód zasilający jest uszkodzony, zmiana musi wykonać producent albo jego specjalista serwisowy, aby zapobiec niebezpieczeństwom wynikającym ze zmiany.

### OCZYSZCZANIE

---

Do pracy bezpiecznej zawsze utrzymywać czyste maszynę oraz otwory wentylacyjne.

Regularnie sprawdzać czy do siatki wentylacyjnej blisko silnika elektrycznego albo około przełączników wnikły pyły lub inne ciała obce. Używać miękkiej szczotki do usunięcia pyłów. Do chronienia oczu podczas oczyszczania nosić okulary ochronne.

W wypadku że korpus maszyny potrzebuje

oczyszczania, należy wycierać je miękkiego wilgotnego ręcznika. Można stosować słabego płynu do mycia.



**OSTRZEŻENIE:** Niedopuszczalne jest używanie spirytusu, benzyny albo innych rozpuszczalników. Nigdy nie używać preparatów korozyjnych do czyszczenia części plastikowych.



**OSTRZEŻENIE:** Niedopuszczalny jest kontakt maszyny z wodą.

**WAŻNE!** Aby zabezpieczyć pracę bezpieczną elektronarzędziem oraz jego niezawodność, wszystkie działania związane z naprawą, konserwacją i regulowaniem (włącznie sprawdzeniem i zmianą szczotek węglowych) należy wykonywać w autoryzowanych serwisach SPARKY używając tylko oryginalnych części zapasowych.

## VIII - Gwarancja

---

Okres gwarancji elektronarzędzi SPARKY jest określony w karcie gwarancyjnej produktu.

Usterki spowodowane normalnym zużyciem, przeciążeniem lub niewłaściwą obsługą, nie podlegają gwarancji.

Uszkodzenia wynikłe z wady materiałowej lub błędów produkcyjnych zostaną usunięte bezpłatnie w drodze naprawy lub wymiany urządzenia.

Reklamacje uszkodzonych urządzeń SPARKY zostaną rozpatrzone jeśli zostaną dostarczone w stanie w jakim stwierdzono wadę, nie rozmontowane, wraz z dokumentem zakupu i kartą gwarancyjną do autoryzowanego serwisu lub punktu sprzedaży.

## Informacja

---

Przed użyciem należy dokładnie przeczytać niniejszą instrukcję.

Narzędzia SPARKY są stale ulepszane w związku z tym otrzymany produkt może nieznacznie różnić się od tego ukazanego w niniejszej instrukcji. Producent zapewnia sobie prawo do wprowadzania zmian bez uprzedzenia.

Specyfikacja może się różnić w zależności od kraju.



# Содержание

I - Введение .....	62
II - Технические данные.....	64
III - Общие указания по безопасности при работе с электроинструментами .....	65
IV - Дополнительные правила безопасности при работе с прямой шлифовальной машиной.....	67
V - Ознакомление с электроинструментом .....	A/68
VI - Указания к работе.....	B/68
VII - Обслуживание .....	69
VIII- Гарантия.....	70

## РАСПАКОВКА

В соответствии с общепринятыми технологиями производства вероятность обнаружения неисправности новоприобретенного Вами электроинструмента или нехватки какой-нибудь из его частей весьма мала. Если все-таки Вы обнаружите любое несоответствие, просим не начинать использование электроинструмента перед заменой неисправной части или устранения дефекта. Невыполнение этой рекомендации может быть причиной серьезных несчастных случаев.

## СБОРКА

Прямая шлифовальная машина доставляется в упакованном и полностью собранном виде за исключением цанги и гайки. Цанга подбирается в соответствии с диаметром присоединяющегося хвоста инструмента, которым Вы будете пользоваться, после чего монтируется вместе с гайкой к машине.

## I - Введение

Новоприобретенный Вами электроинструмент SPARKY превзойдет Ваши ожидания. Его производство подчиняется высоким стандартам качества SPARKY, отвечающим строгим требованиям потребителя. Удобный для обслуживания и безопасный в эксплуатации, этот электроинструмент при правильном употреблении будет служить безотказно долгие годы.

## ПРЕДОСТЕРЕЖЕНИЕ!



Прочтите внимательно и целиком инструкцию по эксплуатации перед использованием новоприобретенного электроинструмента SPARKY. Обратите специальное внимание на параграфы, обозначенным словом “Предостережение”. У Вашего электроинструмента SPARKY много качеств, которые облегчают работу. При разработке этого инструмента основное внимание было направлено на безопасность, эксплуатационные качества и надежность, которые облегчают его обслуживание и эксплуатацию.



### Не выбрасывать электроинструменты вместе с бытовыми отбросами!

Отбросы электрических изделий нельзя собирать вместе с бытовыми отбросами. Они должны быть рециклированы на местах, предназначенных специально для этих целей. Просим обратиться к местным властям или к нашему представителю для получения информации насчет рециклирования.

## ЗАЩИТА ОКРУЖАЮЩЕЙ СРЕДЫ



Для предохранения окружающей среды электроинструменты, принадлежности и упаковки должны быть переработаны подходящим образом для повторно использования содержащихся в них материалов. Для облегчения процесса рециклирования детали, сделанные из искусственных материалов, обозначены соответствующим способом.



## ОПИСАНИЕ СИМВОЛОВ

На табличке с данными электроинструмента нанесены специальные символы, содержащие важную информацию о продукте или инструкции по использованию.



Двойная изоляция для дополнительной защиты.



Постоянная электроника плюс электроника для предварительной настройки скорости вращения



Соответствует релевантным европейским директивам.



Соответствует требованиям российским нормативным документам.



Соответствует требованиям украинским нормативным документам.



Ознакомьтесь с инструкцией по эксплуатации.

YYYY-Www    Период производства, где переменные символы означают:  
YYYY - год производства,  
Www – очередная календарная неделя.

MKL            Прямая шлифовальная машина.

## II - Технические данные

Модель	MKL 550E	MKL 710CE
Потребляемая мощность	550 W	710W
Скорость вращения на холостом ходу	10000-33000 min <sup>-1</sup>	10000-30000 min <sup>-1</sup>
Диаметр отверстия зажимных цанг	Ø6 mm, Ø8 mm	Ø6 mm, Ø8 mm
Максимальный диаметр шлифовального тела	25 mm	25 mm
Вес (ЕРТА процедура 01/2003)	1,4 kg	1,4 kg
Класс защиты (EN 60745-1) 	II	II

### ИНФОРМАЦИЯ О ШУМЕ И ВИБРАЦИЯХ

Значения замерялись в соответствии со стандартом EN 60745.

#### Излучение шума

A-взвешенный уровень звукового давления L <sub>рА</sub>	81,0 dB (A)	78,0 dB (A)
Неопределенность K <sub>рА</sub>	3,0 dB (A)	3,0 dB (A)
A-взвешенный уровень звуковой мощности L <sub>wА</sub>	92,0 dB (A)	89,0 dB (A)
Неопределенность K <sub>wА</sub>	3,0 dB (A)	3,0 dB (A)

#### Используйте средства для защиты от шума!

#### Излучение вибраций \*

Суммарные значения вибраций (векторная сумма трех направлений) определенные в соответствии с EN 60745:

##### Шлифование поверхностей

Значение излученных вибраций a <sub>h</sub>	6,5 m/s <sup>2</sup>	6,0 m/s <sup>2</sup>
Неопределенность K	1,5 m/s <sup>2</sup>	1,5 m/s <sup>2</sup>

\* Уровень вибраций измерен в соответствии с т.6.2.7 EN 60745-1.

Указанный в настоящую инструкцию уровень вибраций измерен в соответствии с установленную EN 60745 методику испытаний и может использоваться для сравнения электроинструментов. Уровень вибраций может использоваться для предварительной оценки воздействия.

Указанный уровень вибраций дан при условии использования инструмента по его прямому назначению. В тех случаях, когда электроинструмент используется для других целей, с другими принадлежностями, уровень вибраций может отличаться от указанного. В этих случаях уровень воздействия может значительно возрасти в рамках общего периода работы.

Для точной оценки воздействия вибраций во время определенного периода работы необходимо учитывать промежутки времени, в которые электроинструмент выключен, либо хотя и включен, но фактически не используется. Это может существенно сократить воздействия вибраций в течение всего периода работы.

Сохраняйте электроинструмент и его принадлежности в хорошем состоянии. Во время работы старайтесь сохранять руки теплыми - это поможет уменьшить вредное воздействие при работе с повышенной вибрацией.

Пыль материалов, как с краски с содержанием свинца, некоторых сортов древесины, минералов и металла может быть вредной для здоровья. Прикосновение к пыли и попадание пыли в дыхательные пути может вызвать аллергические реакции и/или заболевания дыхательных путей оператора или находящегося вблизи персонала.

Определенные виды пыли, как из дуба и бука, считаются канцерогенными, особенно, совместно с присадками для обработки древесины (хромат, средство для защиты древесины). Материал с содержанием асбеста разрешается обрабатывать только специалистам.

- По возможности применяйте отсос пыли.
- Для достижения максимально высокой эффективности собирания пыли при работе с данным электроинструментом, используйте пылесос, предназначенный для сбора пыли из древесины или для пыли из древесины и/или минеральной пыли.

- Следите за хорошей вентиляцией.
  - Рекомендуется пользоваться дыхательной защитной маской с фильтром класса P2.
- Соблюдайте действующие в Вашей стране предписания для обрабатываемых материалов.

### III - Общие указания по безопасности при работе с электроинструментами



**ПРЕДОСТЕРЕЖЕНИЕ!** Прочитайте все предупреждения и указания по безопасности. Несоблюдение предупреждений и указаний по безопасности может привести к поражению электрическим током, от пожара и/или серьезные ранения.

Сохраните все предупреждения и указания для дальнейшего использования.

Термин “электроинструмент” во всех указанных ниже предупреждениях касается вашего электроинструмента, с питанием от сети (с кабелем) и/или электроинструмент с питанием от аккумуляторной батареи (без кабеля).

#### 1) Безопасность рабочего места

- Содержите рабочее место в чистоте и хорошо освещенным. Беспорядок и недостаточное освещение являются предпосылками трудовых инцидентов.
- Не работайте с электроинструментами во взрывоопасной атмосфере при наличии воспламеняющихся жидкостей, газов или пыли. Электроинструменты создают искры, которые могут воспалить пыль или пары.
- Держите детей и посторонних лиц на расстоянии, когда работаете с электроинструментом. Рассеивание может привести к потере контроля с Вашей стороны.

#### 2) Электрическая безопасность

- Штепселя электроинструментов должны соответствовать контактным гнездам. Никогда не меняйте штепсель каким-либо способом. Не используйте какие-либо адаптерные штепселя для электроинструментов с защитным заземлением. Использование оригинальных штепселей и соответствующим

им контактов уменьшает риск от удара электрическим током.

- Избегайте соприкосновения тела с землей или с заземленными поверхностями, такими как трубы, радиаторы, кухонные плиты и холодильники. Если ваше тело заземлено, существует повышенный риск поражения электрическим током.
  - Не оставляйте электроинструменты под дождем или во влажной среде. Проникновение воды в электроинструменты повышает риск от поражения электрическим током.
  - Используйте кабель по предназначению. Никогда не используйте кабель для переноса электроинструмента, натягивания или отключения штепселя из контактного гнезда. Держите кабель далеко от тепла, масла, острых углов или движущихся частей. Поврежденные или запутанные кабели повышают риск от поражений электрическим током.
  - Во время наружной работы с электроинструментом используйте удлинитель, подходящий для этих целей. Использование удлинителя, предназначенного для внешних /наружных/ работ, уменьшает опасность от поражения электрическим током.
  - В случае, если работа с электроинструментом во влажной среде неизбежна, используйте предохранительное устройство, которое задействовано от остаточного тока для прерывания подачи тока. Использование предохранительного устройства уменьшает риск от поражения электрическим током.
- #### 3) Личная безопасность
- Будьте бдительны, работайте с повышенным вниманием и проявляйте благоразумие, когда работаете с электроинструментом. Не используйте электроинструмент, когда вы устали или находитесь под влиянием наркотиков, алкоголя или медикаментов. Момент невнимания при работе с электроинструментом может привести к серьезной производственной травме.

- b) **Используйте индивидуальные средства защиты.** Носите всегда защитные очки. *Индивидуальные средства защиты, такие как маска против пыли, нескользкая обувь, защитный шлем или средства для защиты слуха, используемые в конкретных условиях, снижают риск от производственных травм.*
  - c) **Избегайте невольного пуска инструмента.** Убедитесь, что выключатель находится в положение „выключено“ перед включением к источнику питания и/или аккумуляторной батарее перед тем, как его возьмете в руки или переносите. *Ношение электроинструмента с пальцем на выключателе или подключение к источнику питания электроинструмента с выключателем во включенном положении является предпосылкой для производственной травмы.*
  - d) **Удалите каждый ключ для затягивания или гаечный ключ перед включением электроинструмента.** *Ключ для затягивания или гаечный ключ, прикрепленный к вращающейся части электроинструмента, может привести к трудовому инциденту.*
  - e) **Не перегревайтесь.** Поддерживайте правильное положение и равновесие в течение всей работы. *Это позволит лучше управлять электроинструментом при неожиданных ситуациях.*
  - f) **Носите подходящую рабочую одежду.** **Не носите широкую одежду или украшения.** **Держите свои волосы, одежду и перчатки далеко от движущихся частей.** *Широкая одежда, бижутерия или длинные волосы могут попасть в движущиеся части.*
  - g) **Если электроинструмент снабжен приспособлением для пыли, убедитесь, что они правильно установлены и правильно используются.** *Использование этих устройств может понизить связанные с пылью опасности.*
- 4) Эксплуатация и уход за электроинструментами**
- a) **Не перегружайте электроинструмент.** **Используйте правильно выбранный электроинструмент согласно его предназначению.** *Правильно подобранный электроинструмент работает лучше и безопасней для объявленного режима работы, для которого он спроектирован.*
  - b) **Не используйте электроинструмент в случае, если выключатель не переключается во включенное и исключенное положение.** *Каждый электроинструмент, который не может управляться с помощью его выключателя, опасен и подлежит ремонту.*
  - c) **Отключите штепсель от электросети перед тем, как начать любые настройки, перед заменой принадлежностей или перед тем, как убрать электроинструмент для хранения.** *Эти меры предосторожности снижают риск невольного пуска электроинструмента.*
  - d) **Сохраняйте неиспользованные электроинструменты в местах, недоступных для детей и не позволяйте обслуживающему персоналу, который не знаком с электроинструментом или инструкциями по эксплуатации, работать с ним.** *Электроинструменты являются опасными в руках необученных потребителей.*
  - e) **Проверяйте электроинструменты.** **Проверяйте, работают ли нормально и движутся ли свободно движущиеся части, находятся ли в целости и исправности части, а также проверяйте все прочие обстоятельства, которые могут неблагоприятно повлиять на работу электроинструмента.** **Если он поврежден, электроинструмент необходимо отремонтировать перед его дальнейшим использованием.** *Много инцидентов причиняются от плохо обслуживаемых электроинструментов.*
  - f) **Поддерживайте режущие инструменты острыми и чистыми.** *Правильно поддерживаемые режущие инструменты с острыми режущими углами реже блокируются и проще управляются.*
  - g) **Используйте электроинструмент, принадлежности и части инструмента и т.д. в соответствии с этими инструкциями и способом, предусмотренным для конкретного типа электроинструмента, имея виду рабочие условия и работу, которую необходимо выполнять.** *Использование электроинструмента для работы не по предназначению может привести к опасной ситуации.*
- 5) Обслуживание**
- a) **Ремонтируйте ваш электроинструмент у квалифицированного специалиста по ремонту, при этом используйте только оригинальные запасные час-**

ти. Это обеспечивает сохранение безопасности электроинструмента.

## IV - Дополнительные правила безопасности при работе с прямой шлифовальной машиной

- В случае потенциальной возможности касания режущей принадлежности до скрытой электропроводки или до собственного питающего шнура, держите электроинструмент только за изолированные поверхности рукояток. Контакт принадлежности с токоведущим проводом ставит под напряжение также открытые металлические части электроинструмента и может привести к поражению оператора электрическим током.
- Всегда носите защитные очки и антифогны и используйте пылезащитную маску. Выделяемая во время работы пыль и абразивные частицы, могут нанести серьезный вред Вашему здоровью.



**ПРЕДОСТЕРЕЖЕНИЕ:** Прежде чем связать электроинструмент к сети питания, убедитесь, что питающее напряжение отвечает на указанном на табличке техническими данными электроинструмента..

- Если источник питания напряжением выше указанного для электроинструмента, то он может вызвать серьезное поражение электрическим током на оператора и повреждение электроинструмента.
- Если вы не уверены, не ставьте штепсель электроинструмента в розетке сети.
- Если источник питания напряжением ниже указанного на табличке электроинструмента, то он может привести к повреждению электродвигателя.



**ПРЕДОСТЕРЕЖЕНИЕ:** Перед выполнением каких-либо работ по настройке, ремонту и обслуживанию, а также при отпадании напряжения питания обязательно выключить электроинструмент и вынуть штепсель из розетки.

- После продолжительной работы внешние металлические части и принадлежности могут нагреться. Не дотрагивайтесь до рабочего инструмента или обрабатываемой детали сразу после работы – они могут быть чрезвычайно горячими, и Вы можете получить ожоги кожи.
- Берегите свои руки от вращающихся частей.
- По возможности всегда используйте скобы или верстак для закрепления обрабатываемой детали.
- Всегда выключайте шлифовальную машину и выжидайте остановки вращения веретена, перед тем как переместить ее в сторону.
- Не перегружайте машину: работайте с умеренным нажимом. Перегрузка является результатом приложения чрезмерного нажатия, при котором электродвигатель замедляет свое вращение, это является предпосылкой неэффективной работы и возможного повреждения электродвигателя машины.
- В рабочей зоне никогда не следует оставлять тряпки, шнуры, паклю и пр.
- Перед тем, как использовать электроинструмент на конкретной детали, включите и оставьте его поработать определенное время. Во время работ электроинструмент должен находиться хотя бы в 200 мм от лица и тела.
- Всегда поддерживайте стабильное положение своего тела. Когда работаете с электроинструментом на высоте, убедитесь, что под Вами никого нет.
- Крепко держите электроинструмент.
- Электроинструмент следует использовать только по назначению. Любое другое использование, отличающиеся от описанного в настоящей инструкции, будет считаться неправильным использованием. Ответственность за любое повреждение или ущерб, проистекающие от неправильного использования, будет нести потребитель, а не производитель.
- Чтобы использовать этот электроинструмент правильно, следует соблюдать требования по безопасности, указания по монтажу и инструкции по эксплуатации, описанные в настоящем документе. Все лица, которые используют или обслуживают эту машину, должны быть ознакомлены с настоящей инструкцией и быть информированными о возможных опасностях,

связанных с этим электроинструментом. Запрещается использование детьми и немоощными лицами этим электроинструментом. Дети должны находиться под постоянным наблюдением, если они находятся в рабочей зоне. Обязательно следует соблюдать правила безопасной работы, действующие в Вашей стране. То же самое касается и основных правил профессионального здравоохранения и техники безопасности.

- Производитель не несет ответственности за никакие изменения, осуществленные по инструменту, и за произошедшие из этого повреждения.

Даже когда электроинструмент используется согласно предписанию, невозможно элиминировать все остаточные факторы риска. Могут возникнуть следующие опасности, связанные с конструкцией и дизайном электроинструмента:

- Повреждение слуха, если не использовать эффективные антифоны.
- Всегда вынимайте штепсель из сети питания перед осуществлением любых настроек или процедур по техническому обслуживанию, включительно замене рабочих принадлежностей.
- Электроинструмент не следует использовать под открытым небом при дождливой погоде, во влажной среде (после дождя) или вблизи легковоспламеняющихся жидкостей и газов. Рабочее место должно быть хорошо освещено.

## **V - Ознакомление электроинструментом**

До того, как приступить к работе с электроинструментом, познакомьтесь со всеми оперативными особенностями и условиями безопасности.

Используйте электроинструмент и его принадлежности только по назначению. Всякое другое применение абсолютно запрещено.

1. Гайка
2. Цанга
3. Шпиндель
4. Выключатель
5. Шнур со штепселем
6. Электронный регулятор оборотов

## **VI - Указания к работе**

Этот электроинструмент питается только однофазным переменным напряжением. Его можно включать в розетку питания без защитных клемм, так как у него двойная изоляция, согласно EN 60745-1 и IEC 60745. Радиопомехи соответствуют Директивы Европейского парламента и Совета 2004/108/ЕС относительно электромагнитной совместимости. Эти электроинструменты предназначены для небольших объемов завершающих обработок деталей из металла, пластмассы и древесины посредством абразивных инструментов и инструментов из быстрорежущей стали.

Прямая шлифовальная машина служит для шлифования, зачистки заусениц и сварных швов, а также для полирования. Используются шлифовальные инструменты, допускающие работу с окружной скоростью 45 м/с. На передней части машины имеются цилиндрические шейки Ø35 мм и Ø43 мм для закрепления рукоятки или других приспособлений. Обе модели MKL 710CE и MKL 550E снабжены электронным регулятором оборотов для выбора оптимального режима работы. Машина MKL 710CE оснащена электронным устройством для поддержания постоянных оборотов под нагрузкой.

### **ПЕРЕД НАЧАЛОМ РАБОТЫ**

- Проверьте соответствие напряжения электрической сети питания на указанном на табличке технических данных электроинструмента.
- Проверьте в какой позиции находится выключатель сети. Электроинструмент должен присоединяться и отделяться от сети питания только в отключенном положении выключателя сети. Если поставите штепсель в розетке питания пока выключатель находится в позиции "включено", то привод может задействоваться и это приведет к несчастному случаю.
- Убедитесь в исправности кабеля питания и штепселя. В случае обнаружения повреждения кабеля, его замена должна быть выполнена производителем или специалистом фирменного сервиса во избежание риска его замены.



**ПРЕДОСТЕРЕЖЕНИЕ:** Перед выполнением каких-либо работ по настройке, ремонту и обслуживанию, а также при отпадании напряжения питания обязательно выключить электроинструмент и вынуть штепсель из розетки.

## ВКЛЮЧЕНИЕ - ВЫКЛЮЧЕНИЕ

- Пуск: ползун выключателя 4 нажать вперед, пока его передняя часть впадет, застопорится и появиться символ «I».
- Останов: задний приподнятый край ползуна выключателя 4 нажать и дать возможность самостоятельно вернуться в исходное положение, при этом символ «O» появляется снова.



**ПРЕДОСТЕРЕЖЕНИЕ:** При наружной температуре ниже 0°C прямую шлифовальную машину можно запускать только при положении “G” электронного регулятора скорости вращения. Через несколько минут работы на холостом ходу машину можно использовать и при других положениях регулятора.

Во время работы не закрывайте рукой вентиляционные отверстия.

## ЗАМЕНА ЗАЖИМНОЙ ЦАНГИ

Замена зажимной цанги 3 осуществляется следующим образом: гайка 1 отвинчивается от шпинделя 3, цанга 2 вынимается вперед. До ее установления очистите цангу и отверстие шпинделя.

## ЗАКРЕПЛЕНИЕ ШЛИФОВАЛЬНЫХ ИНСТРУМЕНТОВ

Стержень шлифовального инструмента вставляется в зажимную цангу. Шпиндель 3 задерживается гаечным ключом S17, а гайка 1 затягивается ключом S17. Используйте только неповрежденные гаечные ключи, в противном случае существует опасность повреждения гайки. Следите за тем, чтобы диаметр стержня шлифовального инструмента соответствовал отверстию цанги. Зажимайте шлифовальные инструменты как можно глубже в зажимной цанге. Свободная длина l<sub>0</sub> не должна превышать определенную длину, которая зависит от размеров шлифовального инструмента (см. Рис. 1 и Табл. 1).

Таблица 1

d <sub>1</sub> , mm	b, mm	l <sub>2</sub> , mm	l <sub>0</sub> , mm
13	25	40	25
16	25	40	25
	32	40	15
	40	40	10
20	10	40	25
	20	40	20
	25	40	15
	32	40	5
25	10	40	25
	16	40	20
	20	40	15
	25	40	10

## РЕГУЛИРОВАНИЕ СКОРОСТИ ВРАЩЕНИЯ

Скорость вращения может меняться плавно от А до G посредством вращения регулятора 5, находящегося на задней стороне крышки двигателя.

## ПРИНАДЛЕЖНОСТИ, КОТОРЫЕ МОГУТ БЫТЬ ИСПОЛЬЗОВАНЫ ЭТИМ ЭЛЕКТРОИНСТРУМЕНТОМ

- Шлифовальная насадка с хвостовиком Ø6
- Шлифовальная насадка с хвостовиком Ø8
- Цанга Ø6
- Цанга Ø8

## VII - Обслуживание



**ПРЕДОСТЕРЕЖЕНИЕ:** Всегда выключайте электроинструмент и вытаскивайте штепсель из розетки перед каждой проверкой или осуществлением ухода.

## ЗАМЕНА ЩЕТОК

Электроинструмент оснащен самовыключающимися щетками. Когда щетки изнашиваются, машина выключается автоматически. В таком случае обе щетки должны быть заменены одновременно оригинальными щетками в сервисе SPARKY по гарантийному и внегарантийному обслуживанию.



## ОБЩАЯ ПРОВЕРКА

---

Проверяйте регулярно все элементы крепления и убедитесь в том, что они крепко затянуты. В том случае, если какой-либо винт расслаблен, незамедлительно затяните его во избежание ситуаций, связанных с риском.

Если кабель питания поврежден, замена должна быть осуществлена производителем или его сервисным специалистом во избежание опасностей, связанных с заменой.

## УБОРКА

---

Для безопасной работы всегда содержите машину и вентиляционные отверстия в чистоте

Регулярно проверяйте, не проникли ли в вентиляционные отверстия электродвигателя или около переключателей пыль или инородные тела. Используйте мягкую щетку и/или струю сжатого воздуха, чтобы устранить накопившуюся пыль. Для защиты глаз во время уборки носите защитные очки.

Если корпус машины нужно почистить, протрите его мягкой влажной тряпкой. Можно использовать слабый препарат для мытья.



**ПРЕДОСТЕРЕЖЕНИЕ:** Не допускается использование спирта, бензина или других растворителей. Никогда не используйте разъедающие препараты для чистки пластмассовых частей.



**ПРЕДОСТЕРЕЖЕНИЕ:** Не допускается контакт воды с машиной.

**ВАЖНО!** Чтобы обеспечить безопасную работу электроинструментом и его надежность, все действия по ремонту, обслуживанию и регулированию (включительно проверку и замену щеток) следует осуществлять в специализированных сервисах SPARKY с использованием только оригинальных резервных частей.

## VIII - Гарантия

---

Гарантийный срок электроинструментов SPARKY указан в гарантийной карте.

Неисправности, появившиеся в результате естественного изнашивания, перегрузки или неправильной эксплуатации, не входят в гарантийные обязательства.

Неисправности, появившиеся вследствие применения некачественных материалов и/или из-за производственных ошибок, устраняются без дополнительной оплаты путем замены или ремонта.

Рекламации дефектного электроинструмента SPARKY принимаются в том случае, если машина будет возвращена поставщику, или специализированному гарантийному сервису в не разобранном (первоначальном) состоянии.

## Замечания

---

Внимательно прочтите всю инструкцию по эксплуатации перед тем, как приступить к использованию этого изделия.

Производитель сохраняет за собой право вносить в свои изделия улучшения и изменения, а также изменять спецификации без предупреждения.

Спецификации для разных стран могут различаться.



## Зміст

I - Введення .....	71
II - Технічні дані .....	73
III - Загальні вказівки з безпеки при роботі з електроприладами .....	74
IV - Додаткові правила безпеки під час роботи з прямою шліфувальною машиною .....	75
V - Ознайомлення з електроінструментом .....	A/77
VI - Вказівки щодо роботи .....	B/77
VII - Обслуговування .....	78
VIII - Гарантія .....	79

### РОЗПАКУВАННЯ

У відповідності з загальноприйнятими технологіями великосерійного виробництва, майже не існує ризику поломки Вашого електроінструменту, або відсутності будь-якої з його частин. Якщо ви все ж таки встановите пошкодження, не використовуйте електроінструмент до тих пір, поки дефектна частина не буде замінена, а несправність - усунена. Порушення цієї рекомендації може призвести до серйозного трудового інциденту.

### ЗБІРКА

Прямую шліфувальну машину поставляють в упакованому та повністю зібраному вигляді, за винятком цанги і гайки. Цангу підбирають відповідно до діаметру хвостовика використовуваного робочого інструменту, який приєднують; після цього цанга разом із гайкою монтується до машини.

## I - Введення

Придбаний Вами електроінструмент SPARKY перевершить Ваші очікування. Він зроблений у відповідності до високих стандартів якості SPARKY, що відповідають суворим вимогам споживача. Його легко обслуговувати і він безпечний при експлуатації, при правильному використанні цей електроінструмент буде служити Вам довгі роки.

### ЗАСТЕРЕЖЕННЯ!



Прочитайте уважно і цілком інструкцію з експлуатації, перед використанням новоприданого електроінструменту SPARKY. Зверніть спеціальну увагу на параграфи, позначених словом "Застереження". У Вашого електроінструменту SPARKY багато якостей, які полегшують роботу. При розробці цього інструменту основну увагу було направлено на безпеку, експлуатаційні якості і надійність, які полегшують його обслуговування і експлуатацію.



#### **Не викидайте електроінструменти разом з побутовими відходами!**

Відходи від електричних виробів не варто збирати разом з побутовими відходами. Будь ласка, викидайте в місцях, призначених для цього. Зв'яжіться з місцевою владою або представником для консультації щодо повторної переробки.

### ОХОРОНА НАВКОЛИШНЬОГО СЕРЕДОВИЩА



З урахуванням охорони навколишнього середовища електроінструмент, належності й упаковка повинно надати відповідній переробці для повторного використання сировини, що міститься в них. Для полегшення повторної переробки деталей, зроблених з штучних матеріалів, вони позначені відповідним чином.

## ОПИС СИМВОЛІВ

Табличка з даними електродріля містить спеціальні символи. Вони є важливою інформацією про використання інструмента та його характеристики.



Подвійна ізоляція для додаткового захисту.



Електронний пристрій для підтримання постійної швидкості обертання та електронна система попереднього налаштування швидкості обертання.



Відповідає чинним європейським директивам.



Відповідає вимогам російських нормативних документів.



Відповідає вимогам українських нормативних документів.




Ознайомтеся з інструкцією з експлуатації.

YYYY-Www Термін виробництва, де змінними символами є:  
YYYY - рік випуску,  
Www - черговий календарний тиждень.

MKL Пряма шліфувальна машина.

## II - Технічні дані

Модель	MKL 550E	MKL 710CE
Споживана потужність	550 W	710W
Швидкість обертання на неробочому ході	10000-33000 min <sup>-1</sup>	10000-30000 min <sup>-1</sup>
Діаметр отвору затискних цанг	Ø6 mm, Ø8 mm	Ø6 mm, Ø8 mm
Максимальний діаметр шліфувального тіла	25 mm	25 mm
Вага (EPTA процедура 01/2003)	1,4 kg	1,4 kg
Клас захисту (EN 60745-1) 	II	II
<b>ІНФОРМАЦІЯ ПРО ШУМ І ВІБРАЦІЇ</b>		
Значення замірялися відповідно до стандарту EN 60745.		
<b>Випромінювання шуму</b>		
A-зважений рівень звукового тиску L <sub>PA</sub>	81,0 dB (A)	78,0 dB (A)
Невизначеність K <sub>PA</sub>	3,0 dB (A)	3,0 dB (A)
A-зважений рівень звукової потужності L <sub>WA</sub>	92,0 dB (A)	89,0 dB (A)
Невизначеність K <sub>WA</sub>	3,0 dB (A)	3,0 dB (A)
<b>Використовуйте засоби для захисту від шуму!</b>		
<b>Випромінювання вібрацій *</b>		
Сумарні значення вібрацій (векторна сума трьох напрямків) визначені відповідно до EN 60745:		
Шліфування поверхонь		
Значення випромінених вібрацій a <sub>B</sub>	6,5 m/s <sup>2</sup>	6,0 m/s <sup>2</sup>
Невизначеність K	1,5 m/s <sup>2</sup>	1,5 m/s <sup>2</sup>
* Рівень вібрацій виміряно у відповідності з т.6.2.7 EN 60745-1.		

Вказаний в інструкції рівень вібрацій виміряний відповідно до встановлених EN 60745 методик випробувань, і може використовуватися для порівняння електроінструментів. Рівень вібрацій може використовуватися для попередньої оцінки впливу.

Зазначений рівень вібрацій надано за умови використання інструменту за його прямим призначенням. У тих випадках, коли електроінструмент використовується для інших цілей, з іншими речами, рівень вібрацій може відрізнятися від зазначеного. У цих випадках рівень впливу може значно зрости в рамках загального періоду роботи.

Для точної оцінки впливу вібрацій, під час певного періоду роботи необхідно враховувати проміжки часу, в які електроінструмент вимкнено, або хоча і включений, але фактично не використовується. Це може істотно скоротити вплив вібрацій протягом всього періоду роботи.

Зберігайте електроінструмент і його речі в гарному стані. Під час роботи намагайтеся зберігати руки теплими - це допоможе зменшити шкідливий вплив при роботі з підвищеною вібрацією.

Пил матеріалів, наприклад - фарби з вмістом свинцю, деяких сортів деревини, мінералів і металу може бути шкідливим для здоров'я. Дотик до пилу і потрапляння пилу в дихальні шляхи може викликати алергічні реакції та / або захворювання дихальних шляхів оператора або персоналу, що знаходиться поблизу.

Певні види пилу, наприклад, з дуба та бука, вважаються канцерогенними, особливо, спільно з присадками для обробки деревини (хромат, засіб для захисту деревини, тощо). Матеріал з вмістом азбесту дозволяється обробляти тільки фахівцям.

- По можливості застосовуйте відсмоктування пилу.
  - Для досягнення максимально високої ефективності збирання пилу при роботі з даним приладом, використовуйте пилосос, призначений для збору пилу з деревини або для пилу з деревини та / або мінерального пилу.
  - Слідкуйте за хорошою вентиляцією.
  - Рекомендується користуватися дихальною захисною маскою з фільтром класу P2.
- Дотримуйтеся розпорядження щодо оброблюваних матеріалів, що діють у Вашій країні.

# III - Загальні вказівки з безпеки при роботі з електроприладами



**ЗАСТЕРЕЖЕННЯ!** Прочитайте всі попередження і вказівки з безпеки. Недодержання попереджень і вказівок з безпеки може призвести до ураження електричним струмом, пожежі та / або важкого поранення.

**Збережіть всі попередження та вказівки для подальшого використання.**

Термін “електроприлад” у всіх зазначених нижче попередженнях стосується вашого електроприладу, з живленням від мережі (з кабелем), та / або електроприладу з живленням від акумуляторної батареї (без кабелю).

## 1) Безпека робочого місця

- a) Утримайте робоче місце в чистоті і добре освітленим. Безлад і недостатнє освітлення є передумовою виникнення трудових інцидентів.
- b) Не працюйте з електроприладами у вибухонебезпечній атмосфері при наявності займих рідин, газів або пилу. Електроприлади створюють іскри, що можуть займати пил або пари.
- c) Тримайте дітей та сторонніх осіб на відстані, коли працюєте з електроприладом. Розсіювання уваги може призвести до втрати контролю з Вашого боку.

## 2) Електрична безпека

- a) Штепселі електроприладів повинні відповідати контактним гніздам. Ніколи не змінюйте штепсель у будь-який спосіб. Не використовуйте будь-які адаптерні штепселі для електроприладів із захисним заземленням. Використання оригінальних штепселів і відповідних їм контактів зменшує ризик удару електричним струмом.
- b) Уникайте дотику тіла з землею або заземленими поверхнями, такими як труби, радіатори, кухонні плити та холодильники. Якщо ваше тіло заземлене, існує підвищений ризик ураження електричним струмом.
- c) Не залишайте електроприлади під до-

щем або у вологому середовищі. Проникнення води в електроприлади підвищує ризик ураження електричним струмом.

- d) Використовуйте кабель за призначенням. Ніколи не використовуйте кабель для перенесення електроприладу, натягування або відключення штепселя з контактної гнізда. Тримайте кабель далеко від тепла, олії, гострих кутів, що рухаються. Пошкоджені або заплутані кабелі підвищують ризик поразок електричним струмом.
- e) Під час зовнішніх робіт використовуйте подовжувач, що підходить для цих цілей. Використання подовжувача, призначеного для зовнішніх робіт, зменшує небезпеку від ураження електричним струмом.
- f) У випадку, якщо робота з електроприладом у вологому середовищі неминуча, використовуйте запобіжний пристрій, який робить на залишковому струмі для переривання подачі струму. Використання запобіжного пристрою зменшує ризик ураження електричним струмом.

## 3) Особиста безпека

- a) Будьте пильні, працюйте з підвищеною увагою і проявляйте розсудливість, коли працюєте з електроприладом. Не використовуйте електроприлад, коли ви стомлені, або під впливом наркотиків, алкоголю, медикаментів, тощо. Одна мить неухваги при роботі з електроприладом може призвести до серйозної виробничої травми.
- b) Використовуйте індивідуальні засоби захисту. Носіть завжди захисні окуляри. Індивідуальні засоби захисту, такі як маска проти пилу, неслизьке взуття, захисний шолом або засоби для захисту слуху, що використовуються в конкретних умовах, знижують ризик виникнення виробничих травм.
- c) Уникайте мимовільного пуску інструменту. Переконайтеся, що вимикач знаходиться в положенні “вимкнено” перед включенням в джерело живлення та / або акумуляторної батареї, перед тим, візьмете в руки або перенесите. Носіння електроприладу з пальцем на вимикачі або підключення до джерела живлення електроінструменту з вимикачем у включеному положенні є передумовою для виробничої травми.

- d) Видаліть кожен гайковий ключ перед включенням електроприладу. Ключ для затягування або гайковий ключ, прикріплений до частини електроприладу, що обертається, може призвести до трудового інциденту.
- e) Не простягайтеся занадто. Підтримуйте правильне положення і рівновагу протягом всієї роботи. Це дозволить краще керувати електроприладом у несподіваних ситуаціях.
- f) Носіть придатний одяг. Не носіть широкий одяг або прикраси. Тримайте своє волосся, одяг і рукавички далеко від рухомих частин. Широкий одяг, біжутерія та довге волосся можуть потрапити в рухомі частини.
- g) Якщо електроприлад має пристосовання для пилу, переконайтеся, що воно правильно встановлено і правильно використовується. Використання цих пристроїв може знизити пов'язані з пилком небезпеки.

#### 4) Експлуатація і догляд за електроприладами

- a) Не перевантажуйте електроприлад. Використовуйте правильно вибраний електроприлад згідно з його призначенням. Правильно підібраний електроприлад працює краще і безпечніше для оголошеного режиму роботи, для якого він спроектований.
- b) Не використовуйте електроприлад у випадку, якщо вимикач не переходить у включену і виключену позицію. Кожен електроприлад, який не може управлятися за допомогою вимикача, є небезпечним і підлягає ремонту.
- c) Вимкніть штепсель від електромережі перед тим, як почати будь-які налаштування, перед заміною приладдя або перед тим, як прибрати електроприлад для зберігання. Ці запобіжні заходи знижують ризик мимовільного пуску електроприладу.
- d) Зберігайте невикористані електроприлади в місцях, недоступних для дітей, і не дозволяйте користуватися ним обслуговуючому персоналу, який не знайомий з електроприладом або інструкціями з експлуатації. Електроприлади є небезпечними в руках ненавчених споживачів.
- e) Перевіряйте електроприлади. Перевіряйте, чи працюють нормально і рухаються вільно рухомі частини, чи

знаходяться в цілості і справності усі частини, а також перевіряйте всі інші обставини, які можуть негативно вплинути на роботу електроприладу. У разі ушкодження електроприлад необхідно відремонтувати перед його подальшим використанням. Багато інцидентів заподіюються у випадку поганого обслуговування електроприладів.

- f) Підтримуйте різучі інструменти гострими і чистими. Правильно підтримані різучі інструменти з гострими кутами рідше блокуються і простіше управляються.
  - g) Використовуйте електроприлад, приналежності (комплектуючі) і частини інструменту і т.д. відповідно до цих інструкцій та у засіб, передбачений для конкретного типу електроприладу, маючи на увазі робочі умови і роботу, яку необхідно виконувати. Використання електроприладу для роботи не за призначенням може призвести до небезпечної ситуації.
- #### 5) Технічне обслуговування
- a) Ремонтуйте ваш електроприлад у кваліфікованого фахівця з ремонту, причому використовуйте тільки оригінальні запасні частини. Це забезпечує безпеку електроприладу.

## IV - Додаткові правила безпеки під час роботи з прямою шліфувальною машиною

- В разі потенційної можливості дотику приладдя, що різє до прихованої електропроводки або до влогого шнура живлення, тримайте електроінструмент тільки за ізольовані поверхні руків'їв. Контакт приладдя з струмоведучим дротом ставить під напругу також відкриті металеві частини електроінструменту і може призвести до ураження оператора електричним струмом.
- Завжди використовуйте захисні окуляри та навушники, а також маску для захисту від пилу. Гази і пара, що виділяються під час робіт, можуть бути шкідливими для Вашого здоров'я.



**ЗАСТЕРЕЖЕННЯ:** Перш ніж підключити електроінструмент із мережею живлення, переконайтеся, що напруга живлення відповідає зазначеному на табличці технічним даним електроінструменту.

- Якщо джерело живлення напругою вище зазначеної для електроінструменту, то воно може викликати серйозне ураження оператора електричним струмом і пошкодження електроінструменту.
- Якщо ви не впевнені, не вставляйте штепсель електроінструменту у розетку мережі.
- Якщо джерело живлення напругою нижче зазначеної на табличці електроінструменту, то воно може привести до пошкодження електродвигуна.



**ЗАСТЕРЕЖЕННЯ:** Перед виконанням будь-яких робіт із налаштування, ремонту та обслуговування, а також у разі відпадин напруги живлення обов'язково вимкніть електроінструмент і вийміть штепсель із розетки.

- Під час тривалої роботи зовнішні металеві частини та приладдя можуть нагрітися. Не торкайтеся інструмента або оброблюваної деталі відразу після роботи, оскільки вони можуть бути дуже гарячими і Ви можете отримати опік шкіри.
- Бережіть свої руки від частин інструменту, що обертаються.
- Якщо це можливо, використовуйте лещата або верстат для закріплення оброблюваної деталі.
- Завжди, перед тим, як відкласти інструмент вбік, вимкніть його та почекайте, поки вертено повністю не зупиниться.
- Не перевантажуйте електроінструмент: працюйте за помірною натискання. Надмірне натискання призводить до перевантаження, під час якого оберти електродвигуна зменшуються; це знижує продуктивність роботи і може викликати пошкодження двигуна.
- У зоні робіт ніколи не слід залишати дротя, шнури, ключчя тощо
- Перед тим, як почати обробляти певний об'єкт, увімкніть інструмент і дайте йому попрацювати певний час без навантаження. Під час роботи електроінструмент має знаходитись на відстані принаймні 200 мм від обличчя та тіла оператора.

- Завжди підтримуйте своє тіло в стабільному положенні. Під час роботи з інструментом на висоті, переконайтеся у тому, що під Вами нікого немає.
  - Тримайте інструмент міцно.
  - Електроінструмент слід використовувати тільки за призначенням. Застосування його у будь-який інший спосіб, відмінний від зазначеного у цій інструкції, вважатиметься неправильним. Відповідальність за будь-яке пошкодження або поранення, що настає внаслідок неправильного застосування інструменту, несе користувач, а не виробник.
  - Для правильної експлуатації електроінструменту слід дотримувати правил техніки безпеки, вказівок щодо монтажу та інструкцій з експлуатації, наведених в цьому документі. Всі особи, які використовують або обслуговують цю машину, повинні бути ознайомлені з цією інструкцією, і поінформовані про можливі ризики, пов'язані з роботою з електроінструментом. Дітям та слабким особам не дозволяється користуватися електроінструментом. Слід тримати дітей під постійним наглядом, якщо вони знаходяться у робочій зоні. В обов'язковому порядку слід дотримувати правил техніки безпеки, що є чинними у Вашій країні. Це стосується також основних правил охорони здоров'я і техніки безпеки на робочому місці.
  - Виробник не несе відповідальності за внесені споживачем зміни до конструкції електроінструменту та за пошкодження, викликані такими змінами.
- Навіть коли електроінструмент використовується за призначенням, не варто нехтувати певними факторами ризику. Наведені нижче ризики можуть бути спричинені конструктивними особливостями і дизайном електроінструменту.
- Якщо не використовувати ефективні засоби захисту вух, можна пошкодити слух.
  - Завжди вимикайте штепсель з розетки перед виконанням будь-яких робіт з налаштування інструменту, догляду за ним, технічного обслуговування або за умови відключення напруги живлення.
  - Електроінструмент не слід використовувати під просто неба у дощову погоду, у вологому середовищі (після дощу), або поблизу займистих рідин і газів. Робоче місце має бути добре освітлене.

## V - Ознайомлення з електроінструментом

Перед тим, як розпочати роботу з електроінструментом, ознайомтеся з усіма особливостями його роботи та вимогами безпеки. Використовуйте електроінструмент і його приладдя тільки за призначенням. Будь-яке інше застосування інструменту категорично заборонене.

1. Гайка
2. Цанга
3. Шпindel
4. Вимикач
5. Шнур зі штепселем
6. Електронний регулятор обертів

## VI - Вказівки щодо роботи

Цей електроінструмент живиться тільки від джерела однофазної змінної напруги. Його можна включати в розетку живлення без захисних клем, оскільки він має подвійну ізоляцію, згідно EN 60745-1 й IEC 60745. Радіозавади відповідають вимогам EN 55014-1, EN 55014-2, EN 61000-3-2, EN 61000-3-3.

Цей інструмент призначено для фінішної обробки абразивом та ріжучими деталями невеликих об'єктів, виготовлених з металу, пластмаси та деревини.

Пряму шліфувальну машину використовують для шліфування, зачищення рубчиків зварних швів, а також для полірування. Використовують шліфувальні інструменти, які дозволяють працювати з коловою швидкістю 45 м/с. На передній частині машини знаходяться циліндричні шийки Ø35 мм та Ø43 мм для кріплення ручки та іншого приладдя. Обидві моделі (MKL 710CE та MKL 550E) оснащені електронним регулятором обертів, який дозволяє вибрати оптимальний режим роботи. Модель MKL 710CE оснащена електронним пристроєм підтримання постійної швидкості обертання незалежно від прикладеного навантаження.

### ПЕРЕД ПОЧАТКОМ РОБОТИ

- Перевірте відповідність напруги у мережі живлення технічним даним електроінструменту, зазначеним на таблиці, що знаходиться на його корпусі.

- Перевірте, в якій позиції знаходиться вимикач живлення. Електроінструмент повинен підключатися до мережі і відключатися від мережі тільки за відключеного вимикача. Якщо приєднати штепсель до розетки живлення, коли вимикач знаходиться у позиції “включено”, то привід почне працювати і це призведе до нещасного випадку.
- Переконайтеся у справності кабелю живлення і штепселя. Якщо буде виявлено пошкодження кабелю, то, з метою уникнення ризиків, його заміна повинна бути виконана виробником або фахівцем фірмового сервісної установи.



**ЗАСТЕРЕЖЕННЯ:** Перед виконанням будь-яких робіт із налаштування, ремонту та обслуговування, а також у випадку відключення напруги живлення слід обов'язково вимкнути електроінструмент і вийняти штепсель із розетки.

### ВМИКАННЯ - ВИМИКАННЯ

- Запуск: повзун вимикача 4 посунути вперед, аж поки його передня частина не западе, не застопориться і не з'явиться позначка «I».
- Зупинка: натиснути на піднятий кінець повзуна вимикача 4 і залишити його для самостійного повернення у вихідне положення (має з'явитися позначка «0»).



**ЗАСТЕРЕЖЕННЯ:** За температури навколишнього середовища 0°C пряму шліфувальну машину слід запускати тільки тоді, коли електронний регулятор швидкості обертання знаходиться в позиції “G”. Після декількох хвилин роботи на холостому ходу машина зможе працювати і за інших положень регулятора.

Не закривайте рукою вентиляційні отвори під час роботи.

### ЗАМІНА ЗАТИСКНОЇ ЦАНГИ

Заміну затискної цанги виконують так: відкручують від шпindelя 3 гайку 1, виймають цангу 2, посуваючи її вперед. Перед встановленням цангу та отвір шпindelя слід очистити.



## ЗАКРІПЛЕННЯ ШЛІФУВАЛЬНИХ ІНСТРУМЕНТІВ

Стрижень шліфувального інструменту вставляють у затискну цангу. Шпindel 3 утримують гайковим ключем S17, і затягують гайку 1 ключем S17. Використовуйте тільки непошкоджені гайкові ключі, оскільки в іншому випадку існує небезпека пошкодження гайки. Слідкуйте за тим, щоб діаметр шліфувального інструменту відповідав діаметру отвору цанги. Затягніть шліфувальні інструменти в цанзі якомога глибше. Вільна довжина І0 не повинна бути більшою за певне значення, яке залежить від розмірів шліфувального інструменту, і яке наведене в таблиці 1 та на рис. 1.

Таблиця 1

d <sub>1</sub> , mm	b, mm	l <sub>2</sub> , mm	l <sub>0</sub> , mm
13	25	40	25
16	25	40	25
	32	40	15
	40	40	10
20	10	40	25
	20	40	20
	25	40	15
	32	40	5
25	10	40	25
	16	40	20
	20	40	15
	25	40	10

## РЕГУЛЮВАННЯ ШВИДКОСТІ ОБЕРТАННЯ

За допомогою обертання електронного регулятора 5, що знаходиться на задній стороні кришки двигуна, від положення А до положення G, швидкість обертання може плавно регулюватися.

## ПРИЛАДДЯ, ЩО МОЖЕ ВИКОРИСТОВУВАТИСЯ РАЗОМ ІЗ ЦИМ ЕЛЕКТРОІНСТРУМЕНТОМ

Шліфувальна насадка з хвостовиком Ø6  
Шліфувальна насадка з хвостовиком Ø8  
Цанга Ø6  
Цанга Ø8

## VII - Обслуговування



**ЗАСТЕРЕЖЕННЯ:** Завжди вимикайте електроінструмент і витягуйте штепсель із розетки перед кожною перевіркою або здійсненням догляду.

### ЗАМІНА ЩІТКОК

Електроінструмент оснащений щітками, що вимикаються самостійно. Коли щітки зношуються, машина вимикається автоматично. У такому разі обидві щітки повинні бути замінені одночасно оригінальними щітками у сервісі SPARKY по гарантійному та позагарантійному обслуговуванню.

### ЗАГАЛЬНА ПЕРЕВІРКА

Перевіряйте регулярно всі елементи кріплення і переконайтеся у тому, що вони міцно затягнуті. У тому випадку, якщо який-небудь гвинт послаблений, негайно затягніть його, щоб уникнути ситуацій, пов'язаних із ризиком.

Якщо кабель живлення пошкоджений, заміна повинна бути здійснена виробником або його сервісним фахівцем, щоб уникнути небезпеки, що пов'язана з заміною.

### ПРИБИРАННЯ

Для безпечної роботи завжди тримайте машину і вентиляційні отвори у чистоті. Регулярно перевіряйте, чи не проникли у вентиляційні отвори електродвигуна або навколо перемикачів пил або сторонні предмети. Використовуйте м'яку щітку та/або струмінь згущеного повітря, щоб усунути пил, що накопився. Для захисту очей під час прибирання носіть захисні окуляри.

Якщо корпус машини потрібно почистити, протріть його м'якою вологою ганчіркою. Можна використовувати слабкий препарат для миття.



**ЗАСТЕРЕЖЕННЯ:** Не допускається використання спирту, бензину або інших розчинників. Ніколи не використовуйте препарати, що роз'їдають для чищення пластмасових частин.





**ЗАСТЕРЕЖЕННЯ:** Не допускається контакт води з машиною.

**ВАЖЛИВО!** Щоб забезпечити безпечну роботу з електроінструментом і його надійність, всі дії з ремонту, обслуговування та регулювання (включаючи перевірку і заміну щіток) слід здійснювати у спеціалізованих сервісах SPARKY з використанням тільки оригінальних резервних частин.

## VIII - Гарантія

---

Гарантійний термін електроприладів SPARKY вказаний в гарантійній карті.

Несправності, що з'явилися в результаті природного зношування, перевантаження або неправильного користування, не входять до гарантійних зобов'язань.

Несправності, що з'явилися внаслідок застосування неякісних матеріалів та / або через виробничі помилок, усуваються без додаткової оплати шляхом заміни або ремонту.

Рекламації дефектного електроприладу SPARKY приймаються у тому випадку, якщо прилад буде повернуто постачальнику, або спеціалізованому гарантійного сервісу в не розібраному (початковому) стані.

## Примітки

---

Уважно прочитайте всю інструкцію з експлуатації, перед тим, як приступити до використання виробу.

Виробник зберігає за собою право вносити у свої вироби поліпшення і зміни, а також змінювати специфікації без попередження.

Специфікації для різних країн можуть відрізнятися.

# Съдържание

I - Въведение .....	80
II - Технически данни .....	82
III - Общи указания за безопасност при работа с електроинструменти .....	83
IV - Допълнителни правила за безопасност при работа с прави шлифовъчни машини .....	85
V - Запознаване с електроинструмента .....	A/86
VI - Указания за работа .....	B/86
VII - Поддръжка .....	87
VIII - Гаранция .....	88

## РАЗОПАКОВАНЕ

В съответствие с общоприетите технологии на производство е малко вероятно новопридобитият от Вас електроинструмент да е неизправен или някоя от частите му да липсва. Ако забележите, че нещо не е наред, не работете с електроинструмента, докато повредената част не бъде заменена или неизправността не бъде отстранена. Неспазването на тази препоръка може да доведе до сериозна трудова злополука.

## СГЛОБЯВАНЕ

Правата шлифовъчна машина се доставя опакована и напълно сглобена с изключение на цангата и гайката. Цангата се избира да отговаря на диаметъра на присъединителната опашка на инструмента, който ще ползвате, след което се монтира заедно с гайката към машината.

## I - Въведение

Новопридобитият от Вас електроинструмент SPARKY ще надхвърли Вашите очаквания. Той е произведен в съответствие с високите стандарти на качеството на SPARKY, отговарящи на строгите изисквания на потребителя. Лесен за обслужване и безопасен при експлоатация, при правилна употреба този електроинструмент ще Ви служи надеждно дълги години.

## ПРЕДУПРЕЖДЕНИЕ!



Внимателно прочетете цялата инструкция за използване преди да използвате новопридобития си електроинструмент SPARKY. Обърнете специално внимание на текстовете, които започват с думата “Предупреждение”. Вашият електроинструмент SPARKY притежава много качества, които ще улеснят Вашата работа. При разработката на този електроинструмент най-голямо внимание е обърнато на безопасността, експлоатационните качества и надеждността, които го правят лесен за поддръжка и експлоатация.



### Не изхвърляйте електроинструменти заедно с битовите отпадъци!

Отпадъците от електрически изделия не трябва да се събират заедно с битовите отпадъци. Моля, рециклирайте на местата, предназначени за това. Свържете се с местните власти или представител за консултация относно рециклирането.

## ОПАЗВАНЕ НА ОКОЛНАТА СРЕДА



С оглед опазване на околната среда електроинструментът, принадлежностите и опаковката трябва да бъдат подложени на подходяща преработка за повторно използване на съдържащите се в тях суровини.

За облекчаване на рециклирането детайлите, произведени от изкуствени материали, са обозначени по съответния начин.

## ОПИСАНИЕ НА СИМВОЛИТЕ

Върху табелката с данни на електроинструмента са означени специални символи. Те предоставят важна информация за изделието или инструкциите за неговото ползване.



Двойна изолация за допълнителна защита.



Електроника за поддържане на константни обороти плюс електроника за предварителен избор на скоростта



Съответства на приложимите европейски директиви.



Съответства на изискванията на руските нормативни документи.



Съответства на изискванията на украинските нормативни документи.




Запознайте се с инструкцията за използване.

YYYY-Www    Период на производство, където променливи символи са:  
YYYY - година на производство,  
Www - поредна календарна седмица.

MKL            Права шлифовъчна машина.

## II - Технически данни

Модел	MKL 550E	MKL 710CE
Консумирана мощност	550 W	710W
Обороти на празен ход	10000-33000 min <sup>-1</sup>	10000-30000 min <sup>-1</sup>
Диаметър на отвора на стягащите цанги	Ø6 mm, Ø8 mm	Ø6 mm, Ø8 mm
Макс. диаметър на шлифовъчното тяло	25 mm	25 mm
Тегло (ЕРТА процедура 01/2003)	1,4 kg	1,4 kg
Клас на защита (EN 60745-1) 	II	II
<b>ИНФОРМАЦИЯ ЗА ШУМ И ВИБРАЦИИ</b>		
Стойностите са измерени съгласно EN 60745.		
<b>Излъчване на шум</b>		
A-претеглено ниво на звуково налягане L <sub>рА</sub>	81,0 dB (A)	78,0 dB (A)
Неопределеност K <sub>рА</sub>	3,0 dB (A)	3,0 dB (A)
A-претеглено ниво на звукова мощност L <sub>wА</sub>	92,0 dB (A)	89,0 dB (A)
Неопределеност K <sub>wА</sub>	3,0 dB (A)	3,0 dB (A)
<b>Използвайте средства за защита от шума!</b>		
<b>Излъчване на вибрации *</b>		
Обща стойност на вибрациите (векторна сума по трите оси), определена съгласно EN 60745:		
Шлифование на повърхнини		
Стойност на излъчените вибрации a <sub>h</sub>	6,5 m/s <sup>2</sup>	6,0 m/s <sup>2</sup>
Неопределеност K	1,5 m/s <sup>2</sup>	1,5 m/s <sup>2</sup>
* Вибрациите са определени съгласно т. 6.2.7 на EN 60745-1.		

Посоченото в тази инструкция ниво на вибрации е измерено в съответствие с методиката за изпитване, указана в EN 60745 и може да се използва за сравняване на електроинструменти. Нивото на вибрации може да се използва за предварителна оценка на степента на въздействие. Декларираното ниво на вибрации се отнася за основното предназначение на електроинструмента. В случаите, при които електроинструментът се използва за друго предназначение, с други принадлежности или ако електроинструментът не се поддържа добре, нивото на вибрации може да различава от посоченото. В тези случаи нивото на въздействие може значително да нарасне в границите на общия период на работа.

При оценката на нивото на въздействие на вибрации трябва също да се отчита времето, през което електроинструментът е изключен или е включен, но не се използва. Това може значително да понижи нивото на въздействие в границите на общия период на работа."

Поддържайте електроинструмента и принадлежностите в добро състояние. Пазете ръцете си топли по време на работа - това ще намали вредното въздействие при работа с повишени вибрации.

Прахът, отделян при обработването на материали като оловосъдържащи бои, някои видове дървесина, минерали и метали, може да бъде опасен за здравето. Допирът или вдишването на праха може да предизвика алергични реакции и/или заболявания на дихателните пътища на оператора или на намиращи се в близост лица.

Някои видове прах, например от дъб или бук, се считат за канцерогенни, особено в комбинация с добавки за обработка на дървесина (хромат, консерванти). Материал, който съдържа азбест, трябва да се обработва само от специалисти.

- Когато това е възможно, използвайте прахоотвеждане.
- За да се постигне висока степен на прахоулавяне, при работа с този електроинструмент използвайте прахосмукачка, предназначена за събиране на прах от дървесина или за прах от дървесина и/или минерален прах.

- Осигурете добра вентилация на работното място.
  - Препоръчва се използването на защитна маска за прах с филтър клас P2.
- Спазвайте действащите във вашата страна разпоредби за обработване на съответните материали.

### III - Общи указания за безопасност при работа с електроинструменти



**ПРЕДУПРЕЖДЕНИЕ!** Четете всички предупреждения и указания за безопасност. Неспазването на предупрежденията и указанията за безопасност може да предизвика поражение от електрически ток, пожар и/или сериозно нараняване.

Запазете всички предупреждения и указания за бъдещо ползване.

Терминът “електроинструмент” във всички описани по-долу предупреждения се отнася до вашия електроинструмент, захранван от мрежата (с шнур) и/или електроинструмент, захранван от акумулаторна батерия (без шнур).

#### 1) Безопасност на работното място

- Поддържайте работното място чисто и добре осветено. Безпорядъкът и недостатъчното осветление са предпоставка за трудови злополуки.
- Не работете с електроинструменти в експлозивни атмосфери при наличие на запалими течности, газове или прах. Електроинструментите образуват искри, които могат да възпламенят праха или парите.
- Дръжте децата и страничните лица на разстояние, когато работите с електроинструмент. *Разсейването може да доведе до загуба на контрол от Ваша страна.*

#### 2) Електрическа безопасност

- Щепселите на електроинструментите трябва да съответстват на контактите. Никога не променяйте щепсела по какъвто и да било начин. Не използвайте каквито и да са адаптерни щепсели за електроинструменти със защитно заземяване. *Употребата на непроменени*

*ни щепсели и съответстващите им контакти намалява риска за поражение от електрически ток.*

- Избягвайте допир на тялото до земя или до заземени повърхности, такива като тръби, радиатори, кухненски печки и хладилници. *Ако тялото ви е заземено, съществува повишен риск от поражение от електрически ток.*
  - Не излагайте електроинструментите на дъжд или във влажна среда. *Проникването на вода в електроинструмента повишава риска от поражение от електрически ток.*
  - Използвайте шнура по предназначение. Никога не използвайте шнура за носене на електроинструмента, опъване или изваждане на щепсела от контактното гнездо. Дръжте шнура далече от топлина, масло, остри ръбове или движещи се части. *Уредени или оплетени шнурове повишават риска за поражение от електрически ток.*
  - При работа с електроинструмента на открито, използвайте удължител, подходящ за работа на открито.
  - Ако работата с електроинструмента във влажна среда е неизбежна, използвайте предпазно устройство, задействано от остатъчен ток, за прекъсване на захранването. *Използването на предпазно устройство намалява риска от поражение от електрически ток.*
- #### 3) Лична безопасност
- Бъдете бдителни, работете с повишено внимание и проявявайте благоразумие, когато работите с електроинструмент. Не използвайте електроинструмента, когато сте уморени или под влияние на наркотици, алкохол или медикаменти. *Момент на невнимание при работа с електроинструмент може да предизвика сериозна трудова злополука.*
  - Използвайте лични предпазни средства. Носете винаги средства за защита на очите. *Лични предпазни средства, като маска против прах, неплъзгащи се безопасни обувки, защитен шлем*

или средства за защита на слуха, използвани при конкретните условия, намаляват риска от трудови злополуки.

c) Избягвайте неволно пускане. Убедете се, че прекъсвачът е в изключено положение преди включване към източник на захранване и/или акумулаторна батерия, преди да го вземете или пренасяте. Носенето на електроинструмент с пръст върху прекъсвача или свързането към източник на захранване на електроинструмент с прекъсвач във включено положение е предпоставка за трудова злополука.

d) Отстранете всеки ключ за затягане или гаечен ключ преди включване на електроинструмента. Ключ за затягане или гаечен ключ, прикрепен към въртяща се част на електроинструмента, може да предизвика трудова злополука.

e) Не се пресягайте. Поддържайте правилен строеж и равновесие през цялото време. Това позволява по-добро управление на електроинструмента при неочаквани ситуации.

f) Носете подходящо работно облекло. Не носете широки дрехи или бижута. Дръжте косите си, дрехите и ръкавиците далеч от движещи се части. Широки дрехи, бижута или дълги коси могат да се захванат от движещи се части.

g) Ако електроинструментът е снабден с приспособления за засмукване и улавяне на прах, убедете се, че те са свързани и правилно използвани. Използването на тези устройства може да намали свързаните с прах опасности.

#### 4) Използване и грижи за електроинструментите

a) Не претоварвайте електроинструмента. Използвайте правилно избрания електроинструмент според приложението. Правилно избраният електроинструмент работи по-добре и по-безопасно при обявения режим на работа, за който е проектиран.

b) Не използвайте електроинструмента, ако прекъсвачът не превключва във включено и изключено положение. Всеки електроинструмент, който не може да бъде управляван с прекъсвач, е опасен и трябва да бъде ремонтиран.

c) Разединете щепсела от захранващата мрежа преди да извършите всякакви настройки, преди замяна на принадлежности или преди да приберете електроинструмента за съхранение. Тези предпазни мерки за безопасност намаляват риска от неволно пускане на електроинструмента.

d) Съхранявайте неизползваните електроинструменти на места, недостъпни за деца и не позволявайте на обслужващи лица, които не познават електроинструмента или не са запознати с тези инструкции, да работят с него. Електроинструментите са опасни в ръцете на необучени потребители.

e) Поддържайте електроинструментите. Проверявайте движещите се части дали функционират нормално и се движат свободно, целостта и изправността на частите, както и за всякакво друго обстоятелство, което може неблагоприятно да повлияе на работата на електроинструмента. Ако е повреден, електроинструментът трябва да бъде ремонтиран преди по-нататъшно използване. Много злополуки са причинени от лошо поддържани електроинструменти.

f) Поддържайте режещите инструменти остри и чисти. Правилно поддържаните режещи инструменти с остри режещи ръбове е по-малко вероятно да блокират и са по-лесни за управление.

g) Използвайте електроинструмента, принадлежностите и частите на инструмента и т.н. в съответствие с тези инструкции и по начин, предвиден за конкретния тип електроинструмент, като вземате предвид работните условия и работата, която трябва да се извършва. Използването на електроинструмента за работа, различна от тази, за която е проектиран, може да предизвика опасна ситуация.

#### 5) Обслужване

a) Поддържайте вашия електроинструмент при квалифициран специалист по ремонта, като използвате само оригиналните резервни части. Това осигурява запазването на безопасността на електроинструмента.

## IV - Допълнителни правила за безопасност при работа с прави шлифовъчни машини

- Дръжте електроинструмента само за изолираните повърхности за захващане когато извършвате операция, при която режещата принадлежност може да допре до скрита ел.инсталация или до собствения шнур. *Допирът на режещата принадлежност до проводник под напрежение ще постави откритите метални части на електроинструмента под напрежение и операторът ще получи токов удар.*
- Винаги носете защитни очила и антифони и използвайте прахозащитна маска. *Отделяния по време на работа прах и абразивни частици, могат сериозно да увредят вашето здраве.*



**ПРЕДУПРЕЖДЕНИЕ:** Преди да свържете електроинструмента към захранващата мрежа, убедете се че захранващото напрежение отговаря на посоченото върху табелката с технически данни на електроинструмента.

- Източник на захранване с напрежение, по-високо от посоченото за електроинструмента, може да предизвика както сериозно поражение от електрически ток върху оператора, така и повреда на електроинструмента.
- Ако имате някакви колебания, не поставяйте щепсела на електроинструмента в контактното гнездо.
- Използването на източник на захранване с напрежение, по-ниско от обозначеното върху табелката на електроинструмента, ще увреди електродвигателя.



**ПРЕДУПРЕЖДЕНИЕ:** Винаги изключвайте електроинструмента и извадете щепсела от контакта преди извършване на всякаква настройка, обслужване или поддръжка и при отпадане на захранващото напрежение.

- След продължителна работа външните метални части и принадлежностите могат да се нагорещат. Не докосвайте работния инструмент или обработвания детайл веднага след работа - те могат да бъдат извънредно горещи и да получите изгаряне на кожата.
- Пазете ръцете си от въртящи се части.
- По възможност винаги използвайте скоби или менгеме за закрепване на обработвания детайл.
- Винаги изключвайте шлифовъчната машина и изчакайте докато спре да се върти вретеното, преди да я оставите настрана.
- Не претоварвайте машината: работете с умерен натиск. Претоварването е резултат от прилагане на прекомерен натиск, при което електродвигателят забавя въртенето си, това е предпоставка за неефекасна работа и евентуална повреда на електродвигателя на машината.
- В работната зона никога не трябва да се оставят парцали, шнурове, кълчища и пр.
- Преди да използвате електроинструмента върху конкретен детайл, го включете и го оставете да поработи известно време. По време на работа електроинструментът трябва да се намира поне на 200 mm от лицето и тялото.
- Винаги поддържайте стабилно положение на тялото си. Когато работите с електроинструмента на височина, убедете се, че под вас няма никой.
- Дръжте здраво електроинструмента.
- Електроинструментът трябва да се използва само по предназначение. Всякаква друга употреба, различаваща се от описаната в тази инструкция, ще се счита за неправилна употреба. Отговорността за всякаква повреда или нараняване, произтичащи от неправилна употреба, ще се носи от потребителя, а не от производителя.
- За да използвате този електроинструмент правилно, трябва да спазвате изискванията за безопасност, указанията за монтаж и инструкциите за експлоатация, описани в този документ. Всички лица, които използват или обслужват тази машина, трябва да са запознати с тази инструкция и да бъдат информирани за възможните опасности, свързани с този електроинструмент. Забранява се работата на деца и немощни хора с този електроинструмент. Децата трябва винаги да бъдат под непрекъснато наблюдение ако се намират в работната зона. Задължително трябва да се спазват

правилата за безопасна работа, които са в сила за вашата страна. Същото се отнася за основните правила за професионално здравеопазване и техника на безопасност.

- Производителят не отговаря за никакви промени, извършени на електроинструмента, нито за произлезлите от това повреди.

Дори когато електроинструментът се използва съгласно предписанието, не е възможно да се елиминират всички остатъчни рискови фактори. Могат да възникнат следните опасности, свързани с конструкцията и дизайна на електроинструмента:

- Увреждане на слуха ако не се използват ефикасни антифони.
- Винаги изваждайте щепсела от захранващата мрежа преди да извършвате каквито и да било настройки или процедури по поддръжка, включително замяна на работните принадлежности.
- Електроинструментът е предназначен за работа в помещения и зони с нормална пожарна опасност съгласно "Наредба №2 "Противопожарни строително-технически норми". Не се допуска използването му във взривоопасна и пожароопасна среда, при температура на околния въздух над 40°C, в особено влажна среда, при наличие на валяжи и в химически активна среда. Работното място трябва да е добре осветено.

## V - Запознаване с електроинструмента

Преди да започнете да работите с електроинструмента се запознайте с всички оперативни особености и условия за безопасност.

Използвайте електроинструмента и принадлежностите му само по предназначение. Всяко друго приложение е изрично забранено.

1. Гайка
2. Цанга
3. Вретено
4. Прекъсвач
5. Шнур с щепсел
6. Електронен регулатор на оборотите

## VI - Указания за работа

Този електроинструмент се захранва само с еднофазно променливо напрежение. Може да се присъединява към контакти без защитни клеми, тъй като е с двойна изолация съгласно EN 60745-1 и IEC 60745. Радиосмущенията съответстват на Директивата за електромагнитна съвместимост 2004/108/ЕС.

Този електроинструмент е предназначен за малки по обем довършителни обработки на детайли от метал, пластмаса и дърво посредством абразивни инструменти и инструменти от бързорежеща стомана.

Правата шлифовъчна машина може да се използва за шлифование, зачистване на осенци и заваръчни шевове и полиране. Работи с шлифовъчни инструменти, допускащи работа с периферна скорост 45 m/s. Върху предната част на машината има оформени цилиндрични шийки Ø35mm и Ø43mm за закрепване на ръкохватка или други приспособления. Двата модела MKL 710CE и MKL 550E са снабдени с електронен регулатор на оборотите за избор на оптимален режим на работа. Моделът MKL 710CE е снабден с електроника за поддържане на постоянни обороти под товар.

### ПРЕДИ ДА ЗАПОЧНЕТЕ РАБОТА

- Проверете дали напрежението на електрическата мрежа отговаря на това, означено върху табелката с технически данни на електроинструмента.
- Проверете в какво положение се намира прекъсвачът. Електроинструментът трябва да се присъединява и отделя от захранващата мрежа само при изключен прекъсвач. Ако поставите щепсела в контакт докато прекъсвачът е във включено положение, електроинструментът веднага ще се задейства, което е предпоставка за злополука.
- Убедете се в изправността на захранващия кабел и щепсел. Ако захранващият кабел е повреден, замяната трябва да се извърши от производителя или от негов сервизен специалист, за да се избегнат опасностите от замяната.





**ПРЕДУПРЕЖДЕНИЕ:** Винаги изключвайте електроинструмента и изваж-  
дайте щепсела от контакта преди извърш-  
ване на всякава настройка, обслужване  
или поддръжка и при отпадане на захран-  
ващото напрежение.

## ПУСКАНЕ - СПИРАНЕ

- Пускане: плъзгачът на прекъсвача 4 се из-  
бутва напред, докато предната му част хлът-  
не, застопори се и се появи символът "I".
- Спиране: задният, надигнат край на прекъс-  
вача 4 се натиска и се оставя самостоятелно  
да се върне назад в изходно положение, при  
което се появява символът "O".



**ПРЕДУПРЕЖДЕНИЕ:** При външна  
температура под 0°C правата шлифовъчна  
машина да се пуска само при положение  
"G" на електронния регулатор на обороти-  
те. След няколко минути работа на празен  
ход машината може да се използва и при  
другите положения на регулатора.

По време на работа да не се запущат венти-  
лационните отвори с ръка.

## ПОДМЯНА НА СТЯГАЩАТА ЦАНГА

Затягащата цанга 2 се подменя като се отбие  
напълно гайка 1 от вретеното 3 и се извади  
цангата напред. Преди поставяне на цангата  
е необходимо да се почисти цангата и отвора  
във вретеното.

## ЗАКРЕПВАНЕ НА ШЛИФОВЪЧНИТЕ ИНСТРУМЕНТИ

Стеблото на шлифовъчния инструмент се  
вкарва в стягащата цанга. Вретеното 3 се  
задържа с гаечен ключ S17, а гайката 1 се  
затяга с ключа S17. Да се използват само не-  
повредени гаечни ключове, в противен слу-  
чай има опасност от нараняване на гайката.  
Да се съблюдава диаметърът на стеблото на  
шлифовъчния инструмент да съответства на  
отвора на цангата. Стягайте шлифовъчните  
инструменти възможно най-дълбоко в стяга-  
щата цанга. Свободната дължина l<sub>0</sub> не трябва  
да превишава една определена дължина,  
която е зависима от размерите на шлифо-  
въчния инструмент (виж фиг. 1 и табл. 1).

Таблица 1

d <sub>1</sub> , mm	b, mm	l <sub>2</sub> , mm	l <sub>0</sub> , mm
13	25	40	25
16	25	40	25
	32	40	15
	40	40	10
20	10	40	25
	20	40	20
	25	40	15
	32	40	5
25	10	40	25
	16	40	20
	20	40	15
	25	40	10

## РЕГУЛИРАНЕ НА ОБОРОТИТЕ

Оборотите може да се изменят плавно от А  
до G, чрез въртене на потенциометъра на  
електронния регулатор 5, намиращ се на зад-  
ната страна на капака на двигателя.

## ПРИНАДЛЕЖНОСТИ, КОИТО МОГАТ ДА БЪДАТ ИЗПОЛЗВАНИ С ТОЗИ ЕЛЕКТРОИНСТРУМЕНТ

- Шлифовъчно тяло с опашка Ø6
- Шлифовъчно тяло с опашка Ø8
- Цанга Ø6
- Цанга Ø8

## VII - Поддръжка



**ПРЕДУПРЕЖДЕНИЕ:** Винаги из-  
ключвайте електроинструмента и изваж-  
дайте щепсела от контакта преди всякава  
проверка или поддръжка.

## ПОДМЯНА НА ЧЕТКИТЕ

Електроинструментът е снабден със самоиз-  
ключващи се четки. Когато четките се изно-  
сят, двете четки трябва да се подменят ед-  
новременно с оригинални четки в сервиз на  
SPARKY за гаранционна и извънгаранционна  
поддръжка."

## ОБЩА ПРОВЕРКА

Проверявайте редовно всички крепежни еле-  
менти и се уверете, че те са здраво притег-  
нати. В случай, че някой от винтовете се е  
разхлабил, го затегнете незабавно, за да из-

бегнете рискови ситуации.

Ако захранващият кабел е повреден, замяната трябва да се извърши от производителя или негов сервизен специалист, за да се избегнат опасностите от замяната.

## ПОЧИСТВАНЕ

За безопасна работа поддържайте винаги чисти машината и вентилационните отвори. Редовно проверявайте дали във вентилационната решетка близо до електродвигателя или около превключвателите не е проникнал прах или чужди тела. Използвайте мека четка за да отстраните събралите се прах. За да предпазите очите си, по време на почистването носете защитни очила.

Ако корпусът на машината се нуждае от почистване, избършете го с мека влажна кърпа. Може да се използва слаб препарат за миене.



**ПРЕДУПРЕЖДЕНИЕ:** Не се допуска употребата на спирт, бензин или други разтворители. Никога не използвайте разяждащи препарати за почистване на пластмасовите части.



**ПРЕДУПРЕЖДЕНИЕ:** Не се допуска влизането на вода в контакт с машината.

**ВАЖНО!** За да се осигури безопасната работа с електроинструмента и неговата надеждност, всички дейности по ремонта, поддръжката и регулирането (включително проверката и подмяната на четките) трябва да се извършват в оторизираните сервизи на SPARKY с използване само на оригинални резервни части.

## VIII - Гаранция

Гаранционният срок на електроинструментите SPARKY се определя в гаранционна карта.

Неизправности, появили се в следствие на естествено износване, претоварване или неправилна експлоатация, се изключват от гаранционните задължения.

Неизправности, появили се в следствие на влагане на некачествени материали и/или производствени грешки, се отстраняват без допълнително заплащане чрез замяна или ремонт.

Рекламация на дефектирал електроинструмент SPARKY се признава, когато машината се върне на доставчика или се представи на оторизиран гаранционен сервиз в неразглобено (първоначално) състояние.

## Забележки

Внимателно прочетете цялата инструкция преди да използвате това изделие.

Производителят си запазва правото да въвежда подобрения и промени в своите изделия и да променя спецификациите без предупреждение.

Спецификациите могат да се различават за отделните страни.