



POWER
TOOLS



SPARKY

HD PROFESSIONAL

EN	CORDLESS IMPACT DRIVER	1 – 8
	Original instructions	
DE	AKKU - SCHLAGBOHRSCHRAUBER	9 – 17
	Originalbetriebsanleitung	
FR	TOURNEVIS À FRAPPER SANS FIL	18 – 26
	Notice originale	
IT	AVVITATORE AD IMPULSI A BATTERIA	27 – 34
	Istruzioni originali	
ES	ATORNILLADOR DE IMPACTO A BATERIA	35 – 43
	Instrucciones de uso originales	
PT	APARAFUSADORA DE IMPACTO SEM FIO	44 – 52
	Instrução original para o uso	
PL	AKUMULATOROWA WKRETKARKA UDAROWA	53 – 60
	Instrukcja oryginalna	
RU	АККУМУЛЯТОРНЫЙ УДАРНЫЙ ШУРУПОВЕРТ	61 – 69
	Оригинальная инструкция по эксплуатации	
UK	АКУМУЛЯТОРНИЙ УДАРНИЙ ШУРУПОВЕРТ	70 – 78
	Оригінальна інструкція з експлуатації	
BG	АКУМУЛЯТОРЕН УДАРЕН ВИНТОВЕРТ	79 – 88
	Оригинална инструкция за използване	



HEAVYDUTY

14.4V Lithium-Ion

GUR 15Li HD



EN DECLARATION OF CONFORMITY

We declare under our sole responsibility that this product fulfills all the relevant provisions of the following directives and the harmonized standards:
GUR 15Li HD: 2006/42/EC, 2004/108/EC, EN 60745-1, EN 60745-2-2, EN 55014-1, EN 55014-2
Charger: 2006/95/EC, 2004/108/EC, EN 60335-1, EN 60335-2-29, EN 62233, EN 55014-1, EN 55014-2, EN 61000-3-2, EN 61000-3-3
 Technical file is stored at SPARKY ELTOS AG, Kubrat Str. 9, 5500 Lovetch, Bulgaria.

DE KONFORMITÄTSERKLÄRUNG

Hiermit versichern wir unsere persönliche Haftung, dass dieses Erzeugnis allen einschlägigen Bestimmungen folgender Richtlinien und entsprechender harmonisierten Standards entspricht:
GUR 15Li HD: 2006/42/EC, 2004/108/EC, EN 60745-1, EN 60745-2-2, EN 55014-1, EN 55014-2
Ladegerät: 2006/95/EC, 2004/108/EC, EN 60335-1, EN 60335-2-29, EN 62233, EN 55014-1, EN 55014-2, EN 61000-3-2, EN 61000-3-3
 Die technischen Unterlagen werden bei SPARKY ELTOS AG, Kubrat Str.9, 5500 Lovetch, Bulgarien, aufbewahrt.

FR DECLARATION DE CONFORMITE

Nous déclarons sous notre responsabilité que ce produit satisfait à l'ensemble des dispositions pertinentes de la présente directives, respectivement aux normes harmonisées:
GUR 15Li HD: 2006/42/EC, 2004/108/EC, EN 60745-1, EN 60745-2-2, EN 55014-1, EN 55014-2
Chargeur: 2006/95/EC, 2004/108/EC, EN 60335-1, EN 60335-2-29, EN 62233, EN 55014-1, EN 55014-2, EN 61000-3-2, EN 61000-3-3
 Le dossier technique est conservé par SPARKY ELTOS AD, 9, rue Kubrat, Lovech, Bulgarie.

IT DICHIARAZIONE DI CONFORMITÀ

Noi dichiariamo sotto la nostra personale responsabilità, che questo prodotto è in conformità a tutte le disposizioni pertinenti della presente direttive e norme armonizzate:
GUR 15Li HD: 2006/42/EC, 2004/108/EC, EN 60745-1, EN 60745-2-2, EN 55014-1, EN 55014-2
Caricabatteria: 2006/95/EC, 2004/108/EC, EN 60335-1, EN 60335-2-29, EN 62233, EN 55014-1, EN 55014-2, EN 61000-3-2, EN 61000-3-3
 Il fascicolo tecnico viene custodito presso la SPARKY ELTOS, 5500 Lovetch, via Kubrat n. 9, Bulgaria

ES DECLARACIÓN DE CONFORMIDAD

Declaramos bajo nuestra exclusiva responsabilidad que este producto está conforme con todas las disposiciones aplicables de la presente directrices aplicables y las correspondientes normas armonizadas:
GUR 15Li HD: 2006/42/EC, 2004/108/EC, EN 60745-1, EN 60745-2-2, EN 55014-1, EN 55014-2
Cargador: 2006/95/EC, 2004/108/EC, EN 60335-1, EN 60335-2-29, EN 62233, EN 55014-1, EN 55014-2, EN 61000-3-2, EN 61000-3-3
 El expediente técnico está archivado en SPARKY ELTOS SA, C/ Kubrat, 9, 5500 Lovetch, Bulgaria.

PT DECLARAÇÃO DE CONFORMIDADE

Declaramos assumindo a nossa responsabilidade pessoal que este produto está conforme com todas as disposições relevantes da presente directrizes aplicáveis e respectivos estandartes harmonizados:
GUR 15Li HD: 2006/42/EC, 2004/108/EC, EN 60745-1, EN 60745-2-2, EN 55014-1, EN 55014-2
Carregador: 2006/95/EC, 2004/108/EC, EN 60335-1, EN 60335-2-29, EN 62233, EN 55014-1, EN 55014-2, EN 61000-3-2, EN 61000-3-3
 O expediente técnico fica guardado na SPARKY ELTOS SA, rua Kubrat, 9, 5500 Lovech, Bulgária

PL DEKLARACJA ZGODNOŚCI

Niniejszym deklarujemy naszą osobistą odpowiedzialnością, że ten produkt spełnia wszystkie odpowiednie postanowienia następujących dyrektyw i harmonizowanych standardów:
GUR 15Li HD: 2006/42/EC, 2004/108/EC, EN 60745-1, EN 60745-2-2, EN 55014-1, EN 55014-2
Ładowarka: 2006/95/EC, 2004/108/EC, EN 60335-1, EN 60335-2-29, EN 62233, EN 55014-1, EN 55014-2, EN 61000-3-2, EN 61000-3-3
 Tecznka techniczna przechowywana jest w SPARKY ELTOS AG, Kubrat Str.9, 5500 Lovetch, Bulgaria

RU ДЕКЛАРАЦИЯ О СООТВЕТСТВИИ

Мы заявляем со всей ответственностью, что данный продукт полностью соответствует всем соответствующим требованиям действующих директив и гармонизированных стандартов:
GUR 15Li HD: 2006/42/EC, 2004/108/EC, EN 60745-1, EN 60745-2-2, EN 55014-1, EN 55014-2
Зарядное устройство: 2006/95/EC, 2004/108/EC, EN 60335-1, EN 60335-2-29, EN 62233, EN 55014-1, EN 55014-2, EN 61000-3-2, EN 61000-3-3
 Техническое досье хранится в СПАРКИ ЕЛТОС АД, ул. Кубрат №9, 5500 Ловеч, Болгария.

UK ДЕКЛАРАЦІЯ ПРО ВІДПОВІДНІСТЬ

Ми заявляємо під свою власну відповідальність, що даний продукт відповідає всім діючим вимогам директив і гармонізованих стандартів:
GUR 15Li HD: 2006/42/EC, 2004/108/EC, EN 60745-1, EN 60745-2-2, EN 55014-1, EN 55014-2
Зарядний пристрій: 2006/95/EC, 2004/108/EC, EN 60335-1, EN 60335-2-29, EN 62233, EN 55014-1, EN 55014-2, EN 61000-3-2, EN 61000-3-3
 Технічне досьє зберігається в СПАРКИ ЕЛТОС АД, ул. Кубрат № 9, 5500 Ловеч, Болгарія.

BG ДЕКЛАРАЦИЯ ЗА СЪОТВЕТСТВИЕ

Ние декларираме на своя лична отговорност, че това изделие отговаря на всички приложими изисквания на следните директиви и хармонизирани стандарти:
GUR 15Li HD: 2006/42/EC, 2004/108/EC, EN 60745-1, EN 60745-2-2, EN 55014-1, EN 55014-2
Зарядно устройство: 2006/95/EC, 2004/108/EC, EN 60335-1, EN 60335-2-29, EN 62233, EN 55014-1, EN 55014-2, EN 61000-3-2, EN 61000-3-3
 Техническото досие се съхранява в СПАРКИ ЕЛТОС АД, ул. Кубрат №9, 5500 Ловеч, България.

Signature of authorized person

A. Ivanov
Technical director of SPARKY ELTOS AG

10

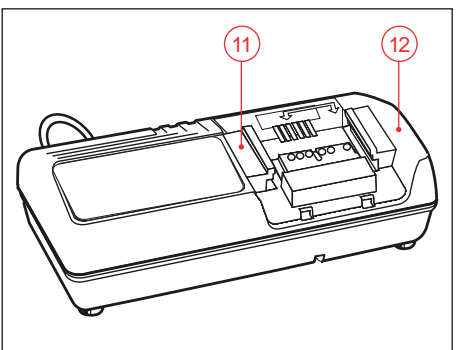
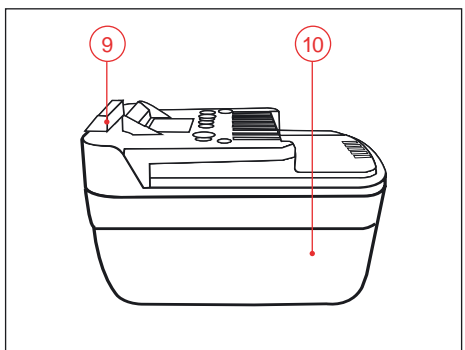
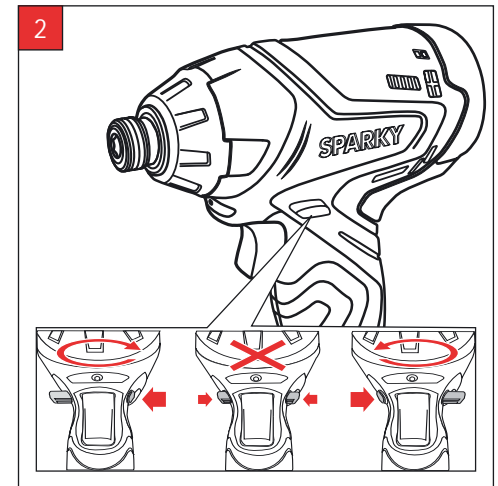
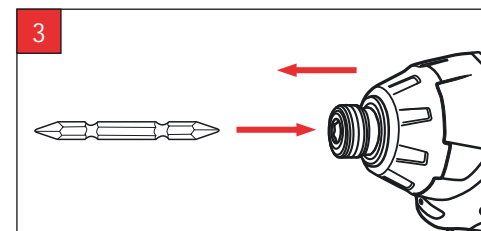
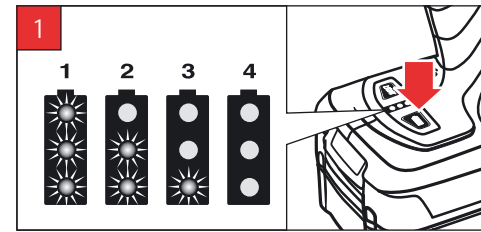
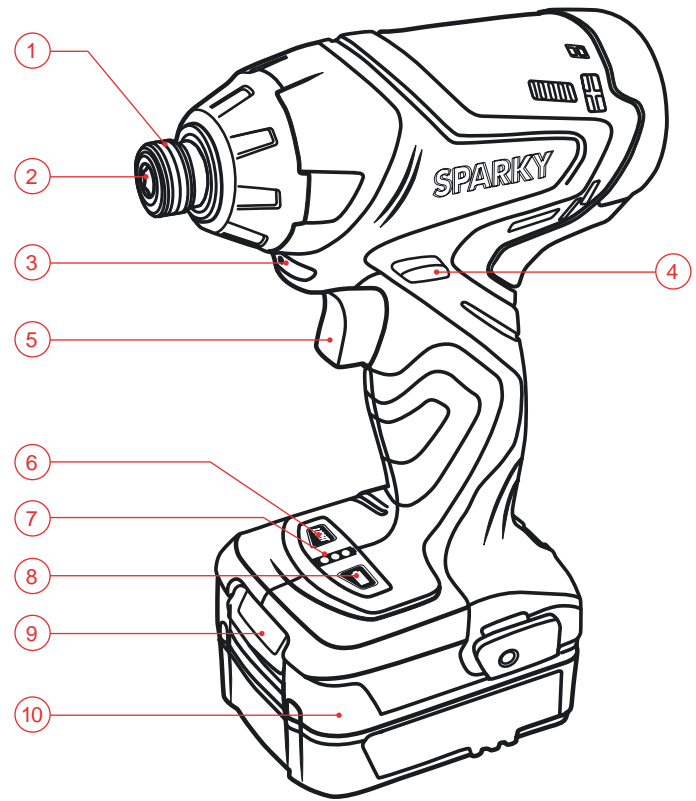
30.11.2010

Manufacturer
SPARKY Power Tools GmbH
Leipziger Str. 20
10117 Berlin, GERMANY

1204R04

© 2010 SPARKY

www.sparkygroup.com



Contents

I - Introduction	1
II - Technical specifications	3
III - Safety instructions	4
IV - Additional safety rules for impact drivers.....	5
V - Additional instructions for work with the charger	5
VI - Additional instructions for work with the battery pack	5
VII - Know your product	A/7
VIII - Operation	7
IX - Maintenance	8
X - Warranty	8

UNPACKING

Due to modern mass production techniques, it is unlikely that your power tool is faulty or that a part is missing. If you find anything wrong, do not operate the tool until the parts have been replaced or the fault has been rectified. Failure to do so could result in serious personal injury.

ASSEMBLY

This SPARKY cordless impact driver GUR 15Li HD is packed fully assembled.

I - Introduction

Your new SPARKY power tool will more than satisfy your expectations. It has been manufactured under stringent SPARKY Quality Standards to meet superior performance criteria. You will find your new tool easy and safe to operate, and, with proper care, it will give you many years of dependable service.



WARNING:

Carefully read through these original instructions before using your new SPARKY power tool. Take special care to heed the **Warnings**. Your SPARKY power tool has many features that will make your job faster and easier. Safety, performance, and dependability have been given top priority in the development of this tool, making it easy to maintain and operate.



Do not dispose of electrical products together with household waste!

Waste electrical products should not be disposed of with household waste. Please recycle where facilities exist. Check with your local authority or retailer for recycling advice.



ENVIRONMENTAL PROTECTION

The machine, accessories and packaging should be sorted for environmental-friendly recycling. The plastic components are labelled for categorised recycling.

DESCRIPTION OF SYMBOLS

The rating plate on your tool may show symbols. These represent important information about the product or instructions on its use.



Double insulated for additional protection



Conforms to the relevant European Directives



Conforms to the requirements of Russian standards



Conforms to the requirements of Ukrainian standards



Refer to original instructions


YYYY-Www

Production period, where the variable symbols are:
YYYY - year of manufacture, ww - calendar week number

GUR

CORDLESS IMPACT DRIVER

II - Technical specifications

Model	GUR 15Li HD
▪ Motor	14.4 V
▪ No load speed	0–2400 min ⁻¹
▪ Impact rate	0–3200 min ⁻¹
▪ Max. torque	145 Nm
▪ Bit holder	1/4" (6.35 mm) \odot
▪ Capacity	
- Mechanical screw	M4–M8
- Standard screw	M5–M12
- High tension screw	M5–M10
▪ Variable speed, reversing	Yes
▪ Electric brake	Yes
▪ LED charging indicator	Yes
▪ Weight (EPTA procedure 01/2003)	
- incl. battery pack 1.5 Ah	1.3 kg
- incl. battery pack 2.6/3.0Ah	1.4 kg
NOISE AND VIBRATION INFORMATION (Measured values determined according to EN 60745.)	
▪ Noise emission	
A-weighted sound pressure level L _{pA}	90 dB(A)
Uncertainty K _{CA}	3 dB
A-weighted sound power level L _{WA}	101 dB(A)
Uncertainty K _{WA}	3 dB
 Wear hearing protection!	
▪ Vibration emission *	
<i>Total vibration values (vector sum in the three axes) determined according to EN 60745:</i>	
Vibration emission value a _{h,D}	15 m/s ²
Uncertainty K _{v,D}	1.5 m/s ²
* The vibration emission values are determined according to 6.2.7 EN 60745-1	
BATTERY (Li-Ion):	
▪ Voltage	14.4 V
▪ Capacity	1.5 / 2.6 / 3.0 Ah
▪ Weight	0.3 / 0.5 / 0.5 kg
CHARGER	
▪ Input:	
Voltage / frequency	230V ~50Hz
Consumption	60 VA
▪ Output voltage / current	14.4V / 2.6A
▪ Charging time - battery 1.5 Ah	30 min
- battery 2.6/3.0Ah	60 min
▪ Weight	0.6 kg

The vibration emission level given in this information sheet has been measured in accordance with a standardised test given in EN 60745 and may be used to compare one tool with another. It may be used for a preliminary assessment of exposure.

The declared vibration emission level represents the main applications of the tool. However if the tool is used for different applications, with different accessories or poorly maintained, the vibration emission may differ. This may significantly increase the exposure level over the total working period.

An estimation of the level of exposure to vibration should also take into account the times when the tool is switched off or when it is running but not actually doing the job. This may significantly reduce the exposure level over the total working period.

Maintain the power tool and the accessories and keep your hands warm during operation to reduce the harmful effect of vibrations.

III - General power tool safety warnings



WARNING! Read all safety warnings and all instructions. Failure to follow the warnings and instructions may result in electric shock, fire and/or serious injury.

Save all warnings and instructions for future reference.

The term "power tool" in the warnings refers to your mains-operated (corded) power tool or battery-operated (cordless) power tool.

1. WORK AREA SAFETY

- a) Keep work area clean and well lit. Cluttered or dark areas invite accidents.
- b) Do not operate power tools in explosive atmospheres, such as in the presence of flammable liquids, gases or dust. Power tools create sparks which may ignite the dust or fumes.
- c) Keep children and bystanders away while operating a power tool. Distractions can cause you to lose control.

2. ELECTRICAL SAFETY

- a) Power tool plugs must match the outlet. Never modify the plug in any way. Do not use any adapter plugs with earthed (grounded) power tools. Unmodified plugs and matching outlets will reduce risk of electric shock.
- b) Avoid body contact with earthed or grounded surfaces, such as pipes, radiators, ranges and refrigerators. There is an increased risk of electric shock if your body is earthed or grounded.
- c) Do not expose power tools to rain or wet conditions. Water entering a power tool will increase the risk of electric shock.
- d) Do not abuse the cord. Never use the cord for carrying, pulling or unplugging the power tool. Keep cord away from heat, oil, sharp edges or moving parts. Damaged or entangled cords increase the risk of electric shock.
- e) When operating a power tool outdoors, use an extension cord suitable for outdoor use. Use of a cord suitable for outdoor use reduces the risk of electric shock.
- f) If operating a power tool in a damp location is unavoidable, use a residual current device (RCD) protected supply. Use of an RCD reduces the risk of electric shock.

3. PERSONAL SAFETY

- a) Stay alert, watch what you are doing and use common sense when operating a power tool. Do not use a power tool while you are tired or under the influence of drugs, alcohol or medication. A moment of inattention while operating power tools may result in serious personal injury.

- b) Use personal protective equipment. Always wear eye protection. Protective equipment such as dust mask, non-skid safety shoes, hard hat, or hearing protection used for appropriate conditions will reduce personal injuries.
- c) Prevent unintentional starting. Ensure the switch is in the off-position before connecting to power source and/or battery pack, picking up or carrying the tool. Carrying power tools with your finger on the switch or energising power tools that have the switch on invites accidents.
- d) Remove any adjusting key or wrench before turning the power tool on. A wrench or a key left attached to a rotating part of the power tool may result in personal injury.
- e) Do not overreach. Keep proper footing and balance at all times. This enables better control of the power tool in unexpected situations.
- f) Dress properly. Do not wear loose clothing or jewellery. Keep your hair, clothing and gloves away from moving parts. Loose clothes, jewellery or long hair can be caught in moving parts.
- g) If devices are provided for the connection of dust extraction and collection facilities, ensure these are connected and properly used. Use of dust collection can reduce dust-related hazards.

4. POWER TOOL USE AND CARE

- a) Do not force the power tool. Use the correct power tool for your application. The correct power tool will do the job better and safer at the rate for which it was designed.
- b) Do not use the power tool if the switch does not turn it on and off. Any power tool that cannot be controlled with the switch is dangerous and must be repaired.
- c) Disconnect the plug from the power source and/or the battery pack from the power tool before making any adjustments, changing accessories, or storing power tools. Such preventive safety measures reduce the risk of starting the power tool accidentally.
- d) Store idle power tools out of the reach of children and do not allow persons unfamiliar with the power tool or these instructions to operate the power tool. Power tools are dangerous in the hands of untrained users.
- e) Maintain power tools. Check for misalignment or binding of moving parts, breakage of parts and any other condition that may affect the power tool's operation. If damaged, have the power tool repaired before use. Many accidents are caused by poorly maintained power tools.
- f) Keep cutting tools sharp and clean. Properly maintained cutting tools with sharp cutting edges are less likely to bind and are easier to control.
- g) Use the power tool, accessories and tool bits etc. in accordance with these instructions, taking into account the working conditions and the work to be performed. Use of the power tool for operations different from those intended could result in a hazardous situation.

5. SERVICE

- a) Have your power tool serviced by a qualified repair person using only identical replacement parts. This will ensure that the safety of the power tool is maintained.

IV - Additional safety rules for impact drivers

- Wear ear protectors when impact drilling. Exposure to noise can cause hearing loss.
- Hold the power tool by insulated gripping surfaces when performing an operation where the operating tool may contact hidden wiring or its own cord. Contact with a "live" wire will make exposed metal parts of the power tool "live" and shock the operator.
- Be aware that this tool is always in an operating condition, because it does not have to be plugged into an electrical outlet. Always set the trigger switch to the locked OFF position when installing or removing the battery pack.

V - Additional instructions for work with the charger

- Before using the charger, read all the instructions and cautionary markings on the charger and battery pack as well as the instructions on using the battery pack.
- Only charge your batteries indoors as the charger is designed for indoor use only.



WARNING: If the battery pack is cracked or damaged in any other way, do not insert it in the charger. There is a danger of electric shock.



WARNING: Do not allow any liquid to come into contact with the charger. There is a danger of electric shock.

- The charger is not intended for any use other than charging the exact type of SPARKY rechargeable battery pack as supplied with the charger. Any other use may result in the risk of fire or electric shock.
- The charger and battery packs supplied with it are specifically designed to work together. Do not attempt to charge the battery pack with any other charger than the one supplied.
- Do not place any object on top of the charger as it could cause overheating. Do not place the charger near any heat source.
- Do not pull on the lead of the charger to disconnect it from the power source.
- Make sure that the charger cable is positioned where it will not be stepped on, tripped over or otherwise subjected to damage or stress.

- Do not use an extension cord unless it is absolutely necessary. The use of an improper extension cord could cause the risk of fire or electric shock.
- Do not use the charger if it has been subjected to a heavy knock, dropped or otherwise damaged in any way. Do not operate charger with damaged cord or plug - have them replaced immediately. Take the charger to an authorised service centre for a check or repair.
- If the replacement of the supply cord is necessary, this has to be done by the manufacturer or his agent in order to avoid a safety hazard.
- Do not disassemble the charger. Take it to an authorised service centre when service or repair is required. Incorrect re-assembly may result in the risk of fire or electric shock.
- To reduce the risk of an electric shock, unplug the charger from the power supply before attempting to clean it. Removing the battery pack alone does not reduce the risk.
- Never attempt to connect two chargers together.
- The charger is designed for use from a standard household electrical supply (220–240 V). Do not attempt to connect the charger to a supply with a different voltage.
- If you wish to charge a second battery pack, unplug the charger from the mains supply and leave it for at least 15 minutes. After this time you can charge a second battery pack.
- Under certain conditions, with the charger plugged in to the power supply, the exposed charging contacts inside the charger can be shorted by foreign material. Foreign materials of a conductive nature such as, but not limited to, steel wool, aluminium foil, or any build-up of metallic particles should be kept away from charger cavities. Always unplug the charger from the power supply when there is no battery pack in the cavity. Unplug charger before attempting to clean.
- Do not freeze or immerse charger in water or any other liquid.

VI - Additional instructions for work with the battery pack

- The battery pack for this tool has been shipped in a low charge condition. You should charge the battery pack fully before use.



WARNING: If the battery pack is cracked or damaged in any other way, do not insert it in the charger. There is a danger of electric shock.

- To ensure the longest battery life and best battery performance, always charge the battery when the air temperature is between 18–24°C. Do not charge the battery pack when the temperature is below 0°C, or above 40°C. This is important. Failure to observe this safety rule could cause serious damage to the battery pack.

- The charger and battery pack may become warm to touch while charging. This is a normal condition, and does not indicate a problem.
- To prevent overheating, do not charge battery packs in direct sunlight in hot weather or near heat sources.
- Do not charge inside a box or container of any kind. The battery must be placed in a well ventilated area during charging.
- When the battery is defective, liquid can escape and come into contact with adjacent components. Check any parts concerned. Clean such parts or replace them, if required.
- If the battery pack does not charge properly:
 - (1) Check current at receptacle by plugging in a lamp or other appliance.
 - (2) Move charger and battery pack to a location where the surrounding air temperature is approximately 65°F–75°F (18°C–24°C).
 - (3) If charging problems persist, take or send the tool, battery pack and charger to your local service centre.
- The battery pack should be recharged when it fails to produce sufficient power on jobs, which were easily done previously. DO NOT CONTINUE to use under these conditions. Follow the charging procedure.
- Do not incinerate the battery pack even if it is seriously damaged or can no longer hold a charge. The battery pack can explode in a fire.
- To facilitate the cooling of the battery pack after use, avoid placing the charger or battery pack in a warm environment such as in a metal shed, or an uninsulated trailer.



WARNING: Never attempt to open the battery pack for any reason. If the plastic housing of the battery pack breaks or cracks, return to a service centre for recycling.

READ ALL OF THE INSTRUCTIONS IN THE CHARGER SECTION OF THIS MANUAL BEFORE ATTEMPTING TO CHARGE THE BATTERY PACK FOR YOUR TOOL.

- Always use correct SPARKY battery pack (the one supplied with tool or a replacement pack exactly like it.) Never install any other battery pack. It will ruin your tool and may create a hazardous condition.
- Charge battery packs only in SPARKY chargers.
- Use an environmentally safe disposal unit at a municipal waste disposal centre to dispose of a damaged or worn out battery.

FITTING AND REMOVING THE BATTERY PACK

To remove the battery from the machine: press the battery release button (9) and take the battery out of the tool.



WARNING: Always set the forward/reverse switch (4) in central position before any work on the machine e. g. fitting and removing a battery, tool change, transport, maintenance and storage.

To install the battery: Insert the charged battery (10) into the slot below the button (9) until the battery is securely latched with a click.

BATTERY CHARGING

Insert the plug of the charger (12) in the socket, and the charging indicator (11) will be flickered in green, red and yellow in turn within one second. And then, the battery charger will be in the standby position.

Insert the battery (10) in the battery charger considering the polarity.

A new battery will work properly after five times of charging and discharging. Charge and discharge a battery, which is not used for a long time, for two to three times to function well.

When the battery working time is remarkably short despite full charging, the life of the battery may be over. Replace the battery immediately.



WARNING: The battery will be fully charged after 1 hour, remove it from the charger after this time.

1) Charging indication:

Green Blinks: Before charging

Red Lights: While charging

Green Lights: Charging completed

Red Blinks: Overheat standby (Battery overheated)

Yellow Blinks: charging impossible

2) If charging of the heated battery is attempted immediately after it has been used or charged, indicator blinks in red (overheat standby). The fan in the charger automatically starts running to cool the hot battery down to normal temperature. After cooling, indication changes to red glowing and charging begins.

3) This charger detects charge status and transfers to fine charging mode when the battery has been almost fully charged and keeps the battery in full charge state.

TO OBTAIN THE BEST LIFE FOR THE BATTERY

- Do not recharge battery after a short operation to avoid decreasing operation time and battery capacity.
- When battery is not in use, keep it away from other metal objects like paper clips, coins, keys, nails, screws, or other small metal objects that can make a connection from one terminal to another. Shorting the battery terminals together may cause fire or explosion.
- Always unplug the charger when not in use and store in a dry secure place.
- Do not charge battery packs and do not store the charger in premises where the temperature may drop under 32°F (0°C) or exceed 104°F (40°C).

BATTERY STATE INDICATION

The battery state during operation can be checked on the LED display (7) by pressing the indicator button (8). (Fig. 1)

1 = Battery 70 - 100% charged

2 = Battery 30 - 69% charged

- 3 = Battery less than 30% charged
- 4 = Battery flat or defective

VII - Know your product

Before using the power tool, familiarize yourself with all operating features and safety requirements.

Use the tool and accessories only for the applications intended. All other applications are expressly ruled out.

1. Locking sleeve
2. Bit holder
3. LED light
4. Forward/reverse switch
5. ON/OFF trigger switch
6. LED light button
7. LED battery state indicator
8. Battery state indicator button
9. Battery release button
10. Battery
11. LED charge state indicator
12. Charger

VIII - Operation

LED WORK AREA LIGHT

The machine is equipped with LED light (3) to illuminate the work area and improve visibility when drilling in areas with insufficient light. To turn the LED light on and off depress the LED light button (6).

Work light will automatically turn off 10 minutes after it has been switched on.

REVERSING

The extreme position of lever (4) to the right (viewed from the rear) is equivalent to anti-clockwise rotation, the extreme position to the left - to clockwise rotation. When the ON/OFF switch (5) is depressed lever (4) can not be actuated. (Fig. 2)



WARNING: Reversing can be performed only when the spindle is not rotating!

Drilling and tightening screws are performed with lever in extreme position to the left. Removal of screws is performed with lever in extreme position to the right.

SWITCHING ON - SWITCHING OFF

Switching on: press ON/OFF switch (5).

Switching off: release ON/OFF switch (5).

The power tool is equipped with a brake. The spindle stops rotating immediately after releasing the switch lever.

SMOOTH ELECTRONIC RPM CONTROL

Light pressure on ON/OFF trigger switch (5) results in low rotation speed, further pressing the switch results in smooth increase of the rpm to maximum upon reaching the extreme position.

OPERATING THE TOOL

Impact operation starts automatically when the load exceeds certain level. Pushing the trigger switch at no load will result only in change of speed.

The fastening torque depends on the duration of impact operation. Generally, maximum torque is achieved after 3 to 10 seconds of impact operation. Further operation will result only in slight torque increase. Prolonged impact operation may cause motor damage or burning.

The torque depends on the length, grade and diameter of the screw. It depends also on the strength of material to be fastened (wood, metal, etc.) and the type of washer used. Operate the tool after calculating the appropriate impact operation time by performing a trial fastening and measuring the actually achieved torque by a torque wrench.



WARNING: Power tool with a faulty switch is dangerous and shall be repaired before use.

INSERTING AND REMOVING BITS (FIG. 3)



WARNING: Remove the battery or set the forward/reverse switch (6) in central (neutral) position.

Inserting the bit:

1. Pull the locking sleeve (1) forward.
2. Insert the bit into the hexagonal socket of the bit holder (2).
3. Release the locking sleeve. It will return in its initial position and secure the bit.



WARNING: If the locking sleeve does not return to its original position, then the bit has not been installed properly.

Removing the bit:

Pull the locking sleeve forward and keep it in this position to remove the bit

SCREWING / UNSCREWING

Install a bit that matches the screw, align the bit into the grooves of the screw head, and then tighten it.

Push the impact driver just enough to keep the bit in contact with the screw head.



WARNING: Overtightening may result in breaking the screw or damaging the bit!

- Applying the impact driver for too long may tighten the screw too much and break it.
- Tightening with the impact driver not aligned with the screw may damage the screw head and the driving force will not be transmitted properly to the screw.

IX - Maintenance



WARNING: Always set the forward/reverse switch (4) in central position before any work on the machine e. g. fitting and removing a battery, tool change, transport, maintenance and storage.

Regularly check that all the fixing screws are tight. They may vibrate loose over time.
Re-lubricate all moving parts at regular intervals.

CLEANING

For safe operation always keep the machine and its ventilation slots clean.

Regularly check to see if any dust or foreign matter has entered the grills near the motor and around the switches. Use a soft brush to remove any accumulated dust. Wear safety glasses to protect your eyes whilst cleaning. If the body of the tool needs cleaning, wipe it with a soft damp cloth. A mild detergent can be used.



WARNING: Never use alcohol, petrol or other cleaning agent. Never use caustic agents to clean plastic parts.



WARNING: Water must never come into contact with the tool.

Charger Cleaning Instructions



WARNING: Disconnect the charger from the AC outlet before cleaning.

- Dirt and grease may be removed from the exterior of the charger using a cloth or soft non-metallic brush. Do not use water or any cleaning solutions.

IMPORTANT! To assure product safety and reliability, repairs, maintenance and adjustment (including brush inspection and replacement) should be performed by certified service centres or other qualified service organisations, always using genuine replacement parts.

X - Warranty

The guarantee period for SPARKY power tools is determined in the guarantee card.

Faults due to normal wear, overloading or improper handling will be excluded from the guarantee.

Faults due to defective materials implemented as well as defects in workmanship will be corrected free of charge through replacement or repair.

The complaints for defective SPARKY power tools will be recognized if the machine is sent back to the dealer or is presented to the authorised warranty service centre undismantled, in its initial condition.

Notes

Carefully read the entire original instructions before using this product.

The manufacturer reserves the right to make changes and improvements to the products and to alter specifications without prior notice.

Specifications may differ from country to country.

Inhalt

I - Einleitung.....	9
II - Technische Daten	11
III - Allgemeine Sicherheitshinweise für Elektrowerkzeuge.....	12
IV - Zusätzliche Sicherheitshinweise für die Arbeit mit Akku-Schlagbohrschraubern	13
V - Zusätzliche Vorschriften für die Arbeit mit dem Ladegerät	13
VI - Zusätzliche Vorschriften für die Arbeit mit den Batterien	14
VII - Elemente des Elektrowerkzeugs	A/15
VIII - Arbeitshinweise	15
IX - Wartung	16
X - Garantie	17

AUSVERPACKEN

Entsprechend den allgemeinangenommenen Herstellungstechnologien ist es kaum wahrscheinlich, dass das von Ihnen erworbene Elektrogerät beschädigt ist, oder irgendwelcher Teil fehlt. Falls Sie merken, dass etwas nicht in Ordnung ist, beginnen Sie nicht mit der Arbeit, bevor der beschädigte Teil nicht ersetzt oder die Störung nicht beseitigt ist. Die Nichtbeachtung dieser Empfehlungen kann zu schweren Unfällen führen.

ZUSAMMENBAU

Die Akku-Schlagbohrschrauber GUR 15Li HD werden verpackt und vollständig montiert geliefert.

I - Einführung

Das von Ihnen erworbene Elektrowerkzeug wird Ihre Erwartungen übersteigen. Es ist gemäß den hohen Qualitätsstandards von SPARKY hergestellt, die den strengen Anforderungen des Verbrauchers entsprechen. Einfach in der Bedienung und ungefährlich bei richtiger Handhabung, wird dieses Gerät bei bestimmungsgemäßem Gebrauch Ihnen lange Jahre zuverlässig dienen.



WARNUNG!

Lesen Sie die ganze Bedienungsanleitung aufmerksam durch, bevor Sie das neu erworbene SPARKY – Elektrowerkzeug in Betrieb nehmen. Beachten Sie besonders die Texte, die mit dem Wort „**Warnung**“ beginnen. Ihr SPARKY - Elektrowerkzeug besitzt viele Eigenschaften, die Ihre Arbeit erleichtern werden. Bei der Entwicklung dieses Elektrowerkzeuges ist höchste Aufmerksamkeit der Sicherheit, den Betriebseigenschaften und der Zuverlässigkeit gewidmet worden, die es einfach zur Wartung und Bedienung machen.



Keine elektrischen Geräte zusammen mit dem Hausmüll wegwerfen!

Die Abfälle von elektrischen Erzeugnissen sollen nicht zusammen mit dem Hausmüll gesammelt werden. Für eine umweltgerechte Entsorgung geben Sie Ihre alten / defekten Elektrogeräte bitte in der nächsten kommunalen Sammelstelle ab.



UMWELTSCHUTZ

Angesichts des Umweltschutzes sollten das Elektrowerkzeug, die Zubehörteile und die Verpackung einer geeigneten Wiederverwertung zugeführt werden.

Zum sortenreinen Recycling sind die Teile, hergestellt aus Kunststoffen, entsprechend gekennzeichnet.

BEDEUTUNG DER SYMBOLE

Auf dem Typenschild des Elektrogerätes sind spezielle Symbolbezeichnungen angebracht. Sie geben wichtige Information über das Produkt oder Instruktionen für seine Nutzung.



Doppelisolierung zum zusätzlichen Schutz



Entspricht den einschlägigen Europäischen Richtlinien



Entspricht den Anforderungen der russischen normativen Dokumente



Entspricht den Anforderungen der ukrainischen normativen Dokumenten



Lesen Sie die Bedienungsanleitung

YYYY-Www

Zeitabschnitt der Produktion, wobei die variablen Symbole sind:
YYYY - Kalenderjahr der Produktion, ww - laufende Kalenderwoche

GUR

AKKU - SCHLAGBOHRSCRAUBER

II - Technische Daten

Modell	GUR 15Li HD
▪ Elektomotor	14.4 V
▪ Leerlaufgeschwindigkeit	0–2400 min ⁻¹
▪ Schlagfrequenz	0–3200 min ⁻¹
▪ Max. Drehmoment	145 Nm
▪ Bithalter	¼" (6.35 mm) ○
▪ Max. Durchmesser von	
- Maschinenschrauben	M4–M8
- Normale Schrauben	M5–M12
- Hochfestschrauben	M5–M10
▪ Elektronische Drehzahleinstellung, Rechts- Links - Lauf	Yes
▪ Motorbremse	Yes
▪ Leuchtdiodenanzeige der Ladung	Yes
▪ Gewicht (EPTA Verfahren 01/2003)	
- mit Batterie 1.5Ah	1.3 kg
- mit Batterie 2.6/3.0Ah	1.4 kg

GERÄUSCH-/VIBRATIONSINFORMATION (Messwerte ermittelt entsprechend EN 60745.)

▪ Geräuschemissionswerte:	
Der A-bewertete Schalldruckpegel L _{pA}	90 dB(A)
Unsicherheit K _{pA}	3 dB
Der A-bewertete Schalleistungspegel L _{wA}	101 dB(A)
Unsicherheit K _{wA}	3 dB



Gehörschutz tragen!

▪ Schwingungsemissionswerte*	
<i>Schwingungsgesamtwerte (Vektorsumme dreier Richtungen) ermittelt entsprechend EN 60745:</i>	
Vibrationspegel beim Schlagbohren a _{h,D}	15 m/s ²
Unsicherheit K _{h,D}	1.5 m/s ²
* Messwerte ermittelt nach 6.2.7 EN 60745-1.	

BATTERIE (Li-ion)

▪ Spannung	14.4 V
▪ Kapazität	1.5 / 2.6 / 3.0 Ah
▪ Gewicht	0.3 / 0.5 / 0.5 kg

LADEGERÄT

▪ Eingang:	
Spannung / Frequenz	230V ~50Hz
Leistungsaufnahme	60 VA
▪ Ausgangsspannung / Strom	14.4V / 2.6A
▪ Ladezeit - Batterie 1.5 Ah	30 min
- Batterie 2.6/3.0 Ah	60 min
▪ Gewicht	0.6 kg

Der in diesen Anweisungen angegebene Schwingungspegel ist entsprechend einem in EN 60745 genannten Messverfahren gemessen worden und kann für den Vergleich von Elektrowerkzeugen miteinander verwendet werden. Er eignet sich auch für eine vorläufige Einschätzung der Schwingungsbelastung.

Der angegebene Schwingungspegel repräsentiert die hauptsächlichsten Anwendungen des Elektrowerkzeugs. Wenn allerdings das Elektrowerkzeug für andere Anwendungen, mit abweichenden Einsatzwerkzeugen oder ungenügender Wartung eingesetzt wird, kann der Schwingungspegel abweichen. Dies kann die Schwingungsbelastung über den gesamten Arbeitszeitraum deutlich erhöhen.

Für eine genaue Abschätzung der Schwingungsbelastung sollten auch die Zeiten berücksichtigt werden, in denen das Gerät abgeschaltet ist oder zwar läuft, aber nicht tatsächlich im Einsatz ist. Dies kann die Schwingungsbelastung über den gesamten Arbeitszeitraum deutlich reduzieren.

Pflegen Sie das Gerät und die Einsatzwerkzeuge mit Sorgfalt. Halten Sie Ihre Hände warm während der Arbeit – dies wird die schädliche Einwirkung erhöhter Schwingungen reduzieren.

III - Allgemeine Sicherheitshinweise für Elektrowerkzeuge



WARNUNG! Lesen Sie alle Sicherheitshinweise und Anweisungen. Versäumnisse bei der Einhaltung der Sicherheitshinweise und Anweisungen können elektrischen Schlag, Brand und/oder schwere Verletzungen verursachen.

Bewahren Sie alle Sicherheitshinweise und Anweisungen für die Zukunft auf.

Der in den Sicherheitshinweisen verwendete Begriff „Elektrowerkzeug“ bezieht sich auf netzbetriebene Elektrowerkzeuge (mit Netzkabel) und auf akkubetriebene Elektrowerkzeuge (ohne Netzkabel).

1. ARBEITSPLATZSICHERHEIT

- Halten Sie Ihren Arbeitsbereich sauber und gut beleuchtet. Unordnung oder unbeleuchtete Arbeitsbereiche können zu Unfällen führen.
- Arbeiten Sie mit dem Elektrowerkzeug nicht in explosionsgefährdeter Umgebung, in der sich brennbare Flüssigkeiten, Gase oder Stäube befinden. Elektrowerkzeuge erzeugen Funken, die den Staub oder die Dämpfe entzünden können.
- Halten Sie Kinder und andere Personen während der Benutzung des Elektrowerkzeugs fern. Bei Ablenkung können Sie die Kontrolle über das Gerät verlieren.

2. ELEKTRISCHE SICHERHEIT

- Der Anschlussstecker des Elektrowerkzeuges muss in die Steckdose passen. Der Stecker darf in keiner Weise verändert werden. Verwenden Sie keine Adapterstecker gemeinsam mit schutzgeerdeten Elektrowerkzeugen. Unveränderte Stecker und passende Steckdosen verringern das Risiko eines elektrischen Schlages.
- Vermeiden Sie Körperkontakt mit geerdeten Oberflächen wie von Rohren, Heizungen, Herden und Kühlschränken. Es besteht ein erhöhtes Risiko durch elektrischen Schlag, wenn Ihr Körper geerdet ist.
- Halten Sie Elektrowerkzeuge von Regen oder Nässe fern. Das Eindringen von Wasser in ein Elektrowerkzeug erhöht das Risiko eines elektrischen Schlages.
- Zweckentfremden Sie das Kabel nicht, um das Elektrowerkzeug zu tragen, aufzuhängen oder um den Stecker aus der Steckdose zu ziehen. Halten Sie das Kabel fern von Hitze, Öl, scharfen Kanten oder sich bewegenden Geräteteilen. Beschädigte oder verwickelte Kabel erhöhen das Risiko eines elektrischen Schlages.
- Wenn Sie mit einem Elektrowerkzeug im Freien arbeiten, verwenden Sie nur Verlängerungskabel, die auch für den Außenbereich geeignet sind. Die Anwendung eines für den Außenbereich geeigneten Verlängerungskabels verringert das Risiko eines

elektrischen Schlages.

- Wenn der Betrieb des Elektrowerkzeuges in feuchter Umgebung nicht vermeidbar ist, verwenden Sie einen Fehlerstromschutzschalter. Der Einsatz eines Fehlerstromschutzschalters vermindert das Risiko eines elektrischen Schlages.

3. SICHERHEIT VON PERSONEN

- Seien Sie aufmerksam, achten Sie darauf, was Sie tun, und gehen Sie mit Vernunft an die Arbeit mit einem Elektrowerkzeug. Benutzen Sie kein Elektrowerkzeug, wenn Sie müde sind oder unter dem Einfluss von Drogen, Alkohol oder Medikamenten stehen. Ein Moment der Unachtsamkeit beim Gebrauch des Elektrowerkzeuges kann zu ernsthaften Verletzungen führen.
- Tragen Sie persönliche Schutzausrüstung und immer eine Schutzbrille. Das Tragen persönlicher Schutzausrüstung, wie Staubmaske, rutschfeste Sicherheitsschuhe, Schutzhelm oder Gehörschutz, je nach Art und Einsatz des Elektrowerkzeuges, verringert das Risiko von Verletzungen.
- Vermeiden Sie eine unbeabsichtigte Inbetriebnahme. Vergewissern Sie sich, dass das Elektrowerkzeug ausgeschaltet ist, bevor Sie es an die Stromversorgung und/oder den Akku anschließen, es aufnehmen oder tragen. Wenn Sie beim Tragen des Elektrowerkzeuges den Finger am Schalter haben oder das Gerät eingeschaltet an die Stromversorgung anschließen, kann dies zu Unfällen führen.
- Entfernen Sie Einstellwerkzeuge oder Schraubenschlüssel, bevor Sie das Elektrowerkzeug einschalten. Ein Werkzeug oder Schlüssel, der sich in einem drehenden Geräteteil befindet, kann zu Verletzungen führen.
- Vermeiden Sie eine abnormale Körperhaltung. Sorgen Sie für einen sicheren Stand und halten Sie jederzeit das Gleichgewicht. Dadurch können Sie das Elektrowerkzeug in unerwarteten Situationen besser kontrollieren.
- Tragen Sie geeignete Kleidung. Tragen Sie keine weite Kleidung oder Schmuck. Halten Sie Haare, Kleidung und Handschuhe fern von sich bewegenden Teilen. Lockere Kleidung, Schmuck oder lange Haare können von sich bewegenden Teilen erfasst werden.
- Wenn Staubabsaug- und -auffangeinrichtungen montiert werden können, vergewissern Sie sich, dass diese angeschlossen sind und richtig verwendet werden. Verwendung einer Staubabsaugung kann Gefährdungen durch Staub verringern.

4. VERWENDUNG UND BEHANDLUNG DES ELEKTROWERKZEUGES

- Überlasten Sie das Gerät nicht. Verwenden Sie für Ihre Arbeit das dafür bestimmte Elektrowerkzeug. Mit dem passenden Elektrowerkzeug arbeiten Sie besser und sicherer im angegebenen Leistungsbereich.
- Benutzen Sie kein Elektrowerkzeug, dessen Schalter defekt ist. Ein Elektrowerkzeug, das sich nicht mehr ein- oder ausschalten lässt, ist gefährlich

und muss repariert werden.

- c) Ziehen Sie den Stecker aus der Steckdose und/oder entfernen Sie den Akku, bevor Sie Geräteeinstellungen vornehmen, Zubehörteile wechseln oder das Gerät weglegen. Diese Vorsichtsmaßnahme verhindert den unbeabsichtigten Start des Elektrowerkzeuges.
- d) Bewahren Sie unbenutzte Elektrowerkzeuge außerhalb der Reichweite von Kindern auf. Lassen Sie Personen das Gerät nicht benutzen, die mit diesem nicht vertraut sind oder diese Anweisungen nicht gelesen haben. *Elektrowerkzeuge sind gefährlich, wenn Sie von unerfahrenen Personen benutzt werden.*
- e) Pflegen Sie Elektrowerkzeuge mit Sorgfalt. Kontrollieren Sie, ob bewegliche Teile einwandfrei funktionieren und nicht klemmen, ob Teile gebrochen oder so beschädigt sind, dass die Funktion des Elektrowerkzeuges beeinträchtigt ist. Lassen Sie beschädigte Teile vor dem Einsatz des Gerätes reparieren. *Viele Unfälle haben ihre Ursache in schlecht gewarteten Elektrowerkzeugen.*
- f) Halten Sie Schneidwerkzeuge scharf und sauber. *Sorgfältig gepflegte Schneidwerkzeuge mit scharfen Schneidkanten verklemmen sich weniger und sind leichter zu führen.*
- g) Verwenden Sie Elektrowerkzeug, Zubehör, Einsatzwerkzeuge usw. entsprechend diesen Anweisungen. Berücksichtigen Sie dabei die Arbeitsbedingungen und die auszuführende Tätigkeit. *Der Gebrauch von Elektrowerkzeugen für andere als die vorgesehenen Anwendungen kann zu gefährlichen Situationen führen.*

5. SERVICE

- a) Lassen Sie Ihr Elektrowerkzeug nur von qualifiziertem Fachpersonal und nur mit Original-Ersatzteilen reparieren. *Damit wird sichergestellt, dass die Sicherheit des Elektrowerkzeuges erhalten bleibt.*

IV - Zusätzliche Sicherheitshinweise für die Arbeit mit Akku-Schlagbohrschraubern

- Beachten Sie bitte, dass das Werkzeug bei eingesetzter und geladener Batterie immer einsatzbereit ist da es unabhängig vom Stromnetz arbeitet. Stellen Sie immer den Schalter auf die Stellung AUS, wenn Sie die Batterie einsetzen oder herausnehmen.
- **Verwenden Sie Gehörschutzmittel beim Arbeiten mit Schlagbohrmaschinen.** *Intensiver Lärm am Arbeitsplatz kann zu Hörschäden leiten.*
- **Benutzen Sie immer den zusätzlichen Handgriff, wenn er mit der Maschine geliefert ist.** *Kontrolleverlust kann zu Unfällen führen.*
- **Halten Sie das Gerät an den isolierten Griffflächen, wenn Sie Arbeiten ausführen, bei denen das Einsatzwerkzeug verborgene Stromleitun-**

gen treffen kann. *Der Kontakt mit einer spannungsführenden Leitung kann auch metallene Geräteteile unter Spannung setzen und zu einem elektrischen Schlag führen.*

V - Zusätzliche Vorschriften für die Arbeit mit dem Ladegerät

- Bevor Sie das Ladegerät verwenden, lesen Sie bitte alle Hinweise und Warnungen, die sich an ihm und dem Batteriesatz befinden, sowie auch die Gebrauchshinweise für die Batterien.
- Laden Sie Ihre Batterien nur in geschlossenen aber gut belüfteten Räumen.



WARNUNG: Wenn die Batterie in irgendeiner Weise beschädigt wurde, setzen Sie sie nicht in das Ladegerät ein. Es besteht die Gefahr eines Stromschlags.



WARNUNG: Lassen Sie nicht zu, dass Wasser in das Ladegerät eintritt. Es besteht die Gefahr eines Stromschlags.

- Das Ladegerät ist nur für die Arbeit mit einer SPARKY-Batterie, die im Lieferumfang ist, vorgesehen. Die Anwendung jeder anderen Batterie kann einen Brand oder Stromschlag verursachen.
- Das Ladegerät und die im Lieferumfang enthaltene Batterie sind speziell aufeinander abgestimmt. Laden Sie die Batterie nicht mit einem anderen Ladegerät.
- Legen Sie keine Gegenstände auf das Ladegerät, weil dies zu einer Überhitzung führen kann. Lagern Sie das Ladegerät nicht in der Nähe von Wärmequellen.
- Wenn Sie das Ladegerät vom Stromnetz trennen wollen, ziehen Sie das Kabel nicht aus dem Ladegerät.
- Legen Sie das Netzanschlusskabel des Ladegerätes so, das nicht draufgetreten werden kann, man nicht drüber stolpert oder die Gefahr einer Beschädigung besteht.
- Verwenden Sie keine Verlängerungskabel, außer wenn es unbedingt notwendig ist. Die Anwendung eines ungeeigneten Verlängerungskabels kann einen Brand oder Stromschlag verursachen.
- Benutzen Sie das Ladegerät nicht, wenn es einen starken Schlag bekommen hat, fallen gelassen wurde oder auf sonst irgendeine Weise beschädigt wurde. Arbeiten Sie mit dem Ladegerät nicht, wenn sein Kabel oder die Steckdose beschädigt sind – sie müssen sofort gewechselt werden. Geben Sie das Ladegerät an einem autorisierten Service zur Kontrolle oder Reparatur.
- Falls das Versorgungskabel beschädigt wird, sollte der Ersatz nur durch den Hersteller oder durch einen seiner Servicetechniker durchgeführt werden.
- Nehmen Sie das Ladegerät nicht auseinander. Für

Reparaturarbeiten wenden Sie sich an einen autorisierten Service. Eine fehlerhafte Montage kann einen Brand oder Stromschlag verursachen.

- Um das Risiko eines Stromschlags zu mindern, vor einer Reinigung, trennen Sie das Ladegerät von der Stromversorgung. Die Entnahme der Batterie selbst mindert dieses Risiko nicht.
- Versuchen Sie nie zwei Ladegeräte miteinander zu verbinden.
- Dieses Ladegerät ist für ein normales Stromnetz mit einer Spannung (230-240 V) vorgesehen. Versuchen Sie nicht das Ladegerät an einem Stromnetz mit anderer Versorgungsspannung zu betreiben.
- Wenn Sie eine weitere Batterie laden wollen, trennen Sie das Ladegerät vom Versorgungsnetz und lassen Sie es sich mindestens 15 Minuten lang abkühlen. Erst nach dieser Zeit können Sie die nächste Batterie laden.
- Unter bestimmten Bedingungen, kann bei einem Ladegerät, welches an das Versorgungsnetz angeschlossen ist, ein Fremdkörper einen Kurzschluss zwischen den offenen Kontakten im Ladegerät verursachen. Leitfähige Materialien, z.B. Stahlwolle, Alu-Folie, oder sonstige metallische Materialien, müssen weit von den Ladegerätöffnungen aufbewahrt werden. Trennen Sie das Ladegerät immer vom Netz wenn Sie keine Batterie aufladen.
- Frieren Sie das Ladegerät nicht ein oder tauchen Sie es nicht in Wasser oder eine andere Flüssigkeit ein.

VI - Zusätzliche Vorschriften für die Arbeit mit den Batterien

- Die Batterie für dieses Elektrowerkzeug wird nicht voll aufgeladen geliefert. Vor dem Arbeitsbeginn muss die Batterie voll geladen werden.



WARNUNG: Falls die Batterie Risse hat oder auf irgendeiner anderen Weise beschädigt ist, legen Sie sie nicht in das Ladegerät ein. Es besteht die Gefahr eines Stromschlags.

- Maximale Lebensdauer und Betriebseigenschaften können nur erreicht werden, wenn die Batterie bei einer Umgebungstemperatur von 18°C–24°C geladen wird. Bei einer Umgebungstemperatur unter +4°C oder über +40°C darf die Batterie nicht geladen werden. Das ist von großer Bedeutung und ist eine Voraussetzung für die Verhinderung von ernsthaften Beschädigungen der Batterie.
- Während des Ladevorgangs können das Ladegerät und die Batterie warm werden. Das ist normal und ist kein Zeichen für Probleme.
- Um eine Überhitzung zu verhindern, laden Sie die Batterien nicht unter direkter Sonnenstrahlung, wenn das Wetter heiß ist, oder in der Nähe von Wärmequellen.
- Laden Sie die Batterie nicht in einer Kabine oder einem Container. Während des Ladevorgangs muss

sich die Batterie in einem gut belüfteten Raum befinden.

- Bei einer defekten Akkubatterie könnte von ihr Elektrolyt herausfließen, in folge dessen die Nebenbauteile beschädigt zu werden. Prüfen Sie die daneben eingebauten Bauteile, reinigen Sie die Letzten und falls erforderlich ersetzen Sie diese.
- Wenn die Batterie nicht normal geladen wird:
 - (1) Überprüfen Sie, mit Hilfe einer Lampe oder eines Spannungsprüfers, ob die Steckdose Spannung hat.
 - (2) Wechseln Sie den Platz des Ladegeräts und stellen Sie es an einer Stelle auf, wo die Umgebungstemperatur ca. 18°C–24°C ist.
 - (3) Wenn es trotzdem Probleme mit der Ladung der Batterie gibt, bringen Sie oder schicken Sie das Elektrowerkzeug zusammen mit der Batterie und dem Ladegerät zum Service.
- Die Batterie muss geladen werden, wenn sie nicht mehr genug Leistung für Arbeiten produziert, die vorher mit ihr leicht gemacht wurden. In dem Falle ARBEIT STILLLEGEN. Beginnen Sie die Batterie zu laden.
- Verbrennen Sie keine Batterien, auch wenn sie ernsthafte Schäden haben, oder nicht mehr geladen werden können. Die Batterien können im Feuer explodieren.
- Um nach der Arbeit die Batterie leichter abkühlen zu können, wenn das Wetter heiß ist, vermeiden Sie das Ladegerät oder die Batterie unter einem Metallvordach oder im Wohnwagen ohne Wärmedämmung zu benutzen.



WARNUNG: Versuchen Sie nie die Batterie zu öffnen. Wenn der Kunststoffkörper der Batterie beschädigt ist oder Risse bekommen hat, geben Sie die Batterie zur nächsten kommunalen Sammelstelle für Elektrogeräte.

BEVOR SIE DIE BATTERIE FÜR ELEKTROWERKZEUG LADEN, LESEN SIE ALLE ANGABEN IM ABSCHNITT ÜBER DAS LADEGERÄT.

- Verwenden Sie immer die entsprechende Batterie SPARKY (die mit dem Elektrowerkzeug mitgelieferte Batterie oder eine Ersatzbatterie, die aber genau die gleiche ist). Legen Sie nie eine andere Batterie ein. Das wird das Elektrowerkzeug beschädigen und kann eine gefährliche Situation verursachen.
- Laden Sie die Batterien nur mit den Ladegeräten von SPARKY.
- Werfen Sie die Batterien nicht zusammen mit dem Haushaltsmüll weg. Die Batterien müssen getrennt gesammelt werden und gemäß den Umweltschutzzvorschriften zum Recycling gegeben werden

EINLEGEN UND HERAUSNEHMEN DER BATTERIE

Um die Batterie herauszunehmen: drücken Sie die Taste für die Freigabe der Batterie (10) und ziehen Sie sie aus dem Elektrowerkzeug heraus.



WARNUNG: Stellen Sie immer den Umschalter für Wechseln der Drehrichtung (6) in der Mittelposition bevor sie irgendwelche Arbeiten an dem Werkzeug durchzuführen, wie z.B. Einbauen und Laden der Batterie, Austausch eines Endstückes, Umtransportieren, Wartung oder Lagerung des Elektrowerkzeuges.

Einsetzen der Batterie: Setzen Sie die Batterie in die Öffnung am unteren Ende des Elektrowerkzeuges unter die Taste (10) bis Sie ein typisches Klicken hören.

BATTERIE LADEN

Stecken Sie den Stecker des Ladegeräts (11) in den Kontakt ein. Der Anzeiger des Ladegeräts (13) blinkt fortlaufend mit grünem, roten und gelbem Licht für 1 sek nachdem sie in einem AbwartebetrieB funktioniert.

Legen Sie die Batterie (9) in den Einsatz des Ladegeräts, wobei Sie auf die Pollage achten.

Die neuen Batterien funktionieren normal nach 5 Ladungszyklen. Batterien die über einen längeren Zeitraum nicht benutzt wurden müssen 2-3 mal ge- und entladen werden bis sie wieder optimal funktionieren.

Wenn sich die Nutzungsdauer einer Batterie trotz voller Ladung wesentlich reduziert hat sie ihre Lebensdauer überschritten. In diesem Fall ist es nötig, die Batterie umgehend auszutauschen. Verwenden Sie aber nur SPARKY Original-Batterien die sie über den Händler, bei dem Sie das Gerät gekauft haben, erhalten.



WARNUNG: Die Batterie wird innerhalb einer Stunde voll geladen. Nach dieser Zeit nehmen Sie die Batterie aus dem Ladegerät heraus.

1) Anzeige für die Ladung:

Grünes Blinklicht: Ladegerät ist in Bereitschaft;

Rotes Dauerlicht: Die Batterie wird geladen: während der Ladung der Batterie;

Grünes Dauerlicht: Die Ladezeit ist beendet bzw. die Batterie ist voll geladen;

Rotes Blinklicht: AbwartebetrieB; die Batterie ist momentan überhitzt

Gelbes Blinklicht: die Ladung ist unmöglich.

2) Wenn Sie versuchen eine leere Batterie sofort nach dem Gebrauch zu laden oder eine bereits voll geladene Batterie erneut zu laden geht das Ladegerät in den AbwartebetrieB über (Rotes Blinklicht). In diesem Fall wird automatisch der Abkühlungslüfter des Ladegerätes in Betrieb gesetzt um die Temperatur der Batterie herabzusetzen. Nach der Abkühlung der Batterie erlischt das rote Blinklicht, und das ladegerät beginnt die Batterie zu laden, angezeigt durch das rote Dauerlicht.

3) Das Ladegerät erkennt automatisch den Ladestandard der Batterie.

TIPPS FÜR EINE LÄNGERE LEBENSDAUER DER BATTERIE

- Laden Sie die Batterie nicht wieder, wenn Sie nur kurz damit gearbeitet haben, das kann zur Verringerung

der Arbeitsdauer und der Batterieleistung führen.

- Wenn Sie die Batterie nicht benutzen, halten Sie sie weit von Klammern, Münzen, Nägeln, Schrauben und anderen kleinen Metallgegenständen, die ihre Klammern kurz schließen können, entfernt. Der Kontakt der Batterieklammern mit Metall kann zu einem Kurzschluss führen und einen Brand oder Explosion verursachen.
- Ziehen Sie immer den Stecker des Ladegerätes wenn Sie es nicht benutzen und lagern Sie es auf einer trockenen und sicheren Stelle.
- Laden Sie keine Batterien und lagern Sie das Ladegerät nicht in Räumen, in denen die Temperatur unter 0°C fallen kann oder über +40°C steigen kann.

ANZEIGEN DES BATTERIEZUSTANDS

Der Batteriezustand während der Arbeit wird durch eine Leuchtdiode überwacht (4). Um die Anzeige zu deaktivieren, drücken Sie die Taste 12. (Bild 1)

1. Die Batterie ist bis zu 70 – 100% geladen
2. Die Batterie ist bis zu 30 – 69% geladen
3. Die Batterie ist unter 30% geladen
4. Batterie ist vollständig leer

VII - Elemente des Elektrowerkzeugs

Bevor Sie mit dem Elektrowerkzeuges zu arbeiten beginnen, lesen Sie zuerst alle Arbeitsbesonderheiten und Sicherheitsbedingungen.

Verwenden Sie das Elektrowerkzeug und das Zubehör nur für die entsprechende Zwecke. Jede andere Anwendung ist absolut verboten.

1. Schliessmuffe
2. Bithalter
3. LED Arbeitsplatzbeleuchtung
4. Umschalter zum Wechseln der Drehrichtung
5. Schalter
6. Taste für LED Arbeitsplatzbeleuchtung
7. Leuchtdiodenanzeige der Batterie
8. Taste der Leuchtdiodenanzeige für die Batterie
9. Taste für die Batterie
10. Akku-Batterie
11. Leuchtdiodenanzeige des Ladegeräts
12. Ladegerät

VIII - Arbeitshinweise

LEUCHTDIODENBELEUCHTUNG DES ARBEITSPLATZES

Das Elektrowerkzeug ist mit einer LED Beleuchtung (3) für die Ausleuchtung des Arbeitsbereiches und an schwach beleuchteten Orten ausgestattet. Um die zusätzliche Beleuchtung ein- oder auszuschalten, drücken Sie die Taste (7). Die LED Beleuchtung schaltet sich automatisch nach 10 Min Arbeit aus.

WAHL DER DREHRICHTUNG

Die Hebelstellung ganz rechts (4) (von hinten gesehen) bedeutet Drehen entgegen dem Uhrzeigersinn, und Hebelstellung ganz links – im Uhrzeigersinn. Wenn der Schalter (5) gedrückt ist kann man den Hebel (4) nicht betätigen. (Bild 2) Befindet sich der Drehrichtungsschalter in Mittelstellung kann der Ein/Aus Schalter nicht betätigt werden.



WARNUNG: Das Wechseln der Drehrichtung darf nur beim Stillstand der Spindel erfolgen.

Zum Bohren von Löchern und zum Einschrauben von Schrauben schieben Sie den Umschalter nach links. Zum Lösen von Schrauben schieben Sie den Umschalter nach rechts.

EIN- UND AUSSCHALTEN

Einschalten: Schalter (5) drücken.

Ausschalten: Schalter (5) loslassen.

Das Elektrowerkzeug besitzt eine Motorbremse. Die Spindel stoppt sofort wenn Sie den Schalter loslassen.

STUFENLOSE ELEKTRONISCHE DREHZAHLEGELUNG

Wenn Sie den Schalter (5) leicht drücken, beginnt der Bohrschrauber mit niedrigen Drehzahlen zu arbeiten, die sich mit dem Drücken des Schalters bis zum Ende stufenlos bis zum Maximum erhöhen lassen.

ARBEIT MIT DEM ELEKTROWERKZEUG

Die Schlagfunktion wird bei einer Belastung, die höher ist als die vorgegebene Belastung, eingeschaltet. Das Drücken des Schalters im Leerlauf bewirkt lediglich eine Erhöhung der Drehzahl (Geschwindigkeit).

Die Befestigung hängt von der Dauer der Schlagfunktion ab. Normalerweise wird eine optimale Befestigung nach 3–10 Sek Arbeit im Schlagbetrieb erreicht. Nach dieser Zeit wird der Befestigungsmoment unwesentlich erhöht. Die dauerhafte Arbeit in Schlagbetrieb kann eine Beschädigung oder Verbrennung des Elektromotors verursachen.

Der Befestigungsmoment hängt von der Länge, der Klasse und dem Durchmesser der Schraube sowie von der Härte des Materials (Holz, Stahl u.a.) in dem eingeschraubt wird und von der Art der gebrauchten Unterlegscheibe ab. Benutzen Sie das Elektrowerkzeug nach sorgfältigem Abwägen der geeigneten Zeit für die Schlagfunktion, wobei Sie eine Probebefestigung durchführen und das Drehmoment mit Hilfe eines dynamischen Schlüssels gemessen haben.



WARNUNG: Ein Elektrowerkzeug mit nicht richtig funktionierendem Umschalter ist gefährlich und muß vor dem Gebrauch repariert werden.

EIN-UND AUSBAUEN EINES BITS (BILD 3)



WARNUNG: Nehmen Sie die Batterie heraus oder stellen Sie den Umschalter für Wechseln der Drehrichtung (6) in die mittlere (neutrale) Position.

Einbauen des Bits:

1. Ziehen Sie die Schliessmuffe nach vorne (1).
2. Setzen Sie das Bit in die Aufnahme (2).
3. Lassen Sie die Schließmuffe los und sie wird in die Anfangsposition zurückspringen, in welcher sie das Bit festhält.



WARNUNG: Falls die Schliessmuffe nicht in die Anfangsposition zurückspringt, ist das Bit nicht richtig eingesetzt.

Entfernen des Bits:

Ziehen Sie die Schliessmuffe nach vorne und halten Sie sie fest, bis Sie das Werkzeug entfernt haben.

SCHRAUBEN

Wählen Sie ein für den Schraubenkopf passendes Bit aus, setzen Sie den Aufsatz in die Schlitze des Schraubenkopfs befestigen Sie die Schraube.

Üben Sie nur Druck auf die Maschine aus, wenn es erforderlich ist, die Schraube zu halten.



WARNUNG: Zu starkes Festziehen kann einen Bruch der Schraube oder eine Beschädigung des Aufsatzes verursachen.

- Eine verlängerte Drehzeit kann die Schraube zu stark ziehen und sie kann brechen.
- Wenn die Schraube und das Werkzeug nicht in einer Linie während des Schraubvorganges sind, kann dies eine Beschädigung der Schraube verursachen. Darüber hinaus, wird auch die Kraft nicht richtig übertragen.

IX - Maintenance



WARNUNG: Stellen Sie immer den Umschalter für Wechseln der Drehrichtung (6) in der Mittelposition bevor sie irgendwelche Arbeiten an dem Werkzeug durchzuführen, wie z.B. Einbauen und Laden der Batterie, Austausch eines Endstückes, Umtransportieren, Wartung oder Lagerung des Elektrowerkzeuges.

Überprüfen Sie regelmäßig, ob die Schrauben des Gehäuses gut festgezogen sind. Bei einer andauernden Anwendung können sich die Schrauben durch Vibrationen lockern.

Alle beweglichen Metallteile regelmäßig schmieren.

REINIGEN

Aus Sicherheitsgründungen halten Sie immer die Maschine und die Lüftungsöffnungen sauber. Überprüfen Sie regelmäßig, ob im Lüftungsgitter in der Nähe des Motors oder um die Umschalter kein Staub oder keine Fremdkörper eingedrungen sind. Verwenden Sie eine weiche Bürste für die Entfernung des Staubs. Um Ihre Augen zu schützen, tragen Sie während der Reinigung eine Schutzbrille. Falls der Maschinenkörper gereinigt werden soll, wischen Sie ihn mit einem weichen feuchten Tuch ab. Sie können eine schwache Spülmittellösung verwenden.



WARNUNG: Die Verwendung von Alkohol, Benzin oder andere Lösungsmittel ist untersagt. Verwenden Sie nie aggressive Mittel für die Reinigung der Kunststoffteile.



WARNUNG: Das Eindringen vom Wasser in die Maschine ist unbedingt zu vermeiden.

Anweisungen für Reinigung des Ladegeräts:



WARNUNG: Vor der Reinigung schalten Sie das Ladegerät von dem Stromnetz aus.

- Verschmutzten und verölte Aussenteile des Ladegeräts sind mit einem Tuch oder mit weicher Drahtbürste zu reinigen. Verwenden Sie dafür kein Wasser oder Lösmittel.

WICHTIG! Um eine sichere Arbeit mit dem Elektrowerkzeug und seine Zuverlässigkeit zu gewährleisten, dürfen alle Reparatur-, Wartungs- und Einstellarbeiten in den autorisierten SPARKY – Servicestellen bei Verwendung von Originalersatzteile durchgeführt werden.

X - Garantie

Die Garantiefrist der SPARKY-Elektrowerkzeuge wird im Garantieschein bestimmt.

Schäden, die auf natürliche Abnutzung, Überlastung oder unsachgemäße Handhabung zurückzuführen sind, bleiben von der Garantie ausgeschlossen.

Schäden, die durch Material- und/oder Herstellerfehler entstanden sind, werden unentgeltlich durch Ersatzlieferung oder Reparatur beseitigt.

Beanstandungen bezüglich eines beschädigten SPARKY-Elektrowerkzeugs können nur anerkannt werden, wenn das Gerät unzerlegt (im ursprünglichen Zustand) dem Lieferanten oder der befugten Kundendienstwerkstatt vorgelegt wird.

Bemerkungen

Lesen Sie aufmerksam die ganze Betriebsanleitung durch, bevor Sie mit der Arbeit beginnen.

Der Hersteller behält sich das Recht vor, Verbesserungen und Änderungen in seinen Erzeugnissen und in den Spezifikationen ohne Voranmeldung vorzunehmen.

Die Spezifikationen können für die verschiedenen Länder unterschiedlich sein.

Table des matières

I	- Introduction	18
II	- Spécifications techniques.....	20
III	- Avertissements de sécurité généraux pour l'outil	21
IV	- Consignes supplémentaires de sécurité lors du travail avec des tournevis à percussion sans fil.....	22
V	- Consignes supplémentaires pour le travail avec le chargeur	22
VI	- Consignes supplémentaires pour le travail avec les batteries	23
VII	- Présentation de l'outil électrique	A/24
VIII	- Instructions pour le travail	24
IX	- Maintenance	25
X	- Garantie.....	26

DEBALLAGE

Grâce aux techniques modernes de fabrication, il est improbable que votre outil soit défectueux ou qu'une pièce soit manquante. Si toutefois vous trouvez une anomalie, n'utilisez pas l'outil avant que les pièces aient été remplacées ou le défaut corrigé. Ne pas observer cette règle pourrait causer des blessures graves.

MONTAGE

Le tournevis à percussion sans fil GUR 15Li HD est fourni emballé est entièrement monté.

I - Introduction

Votre nouvel outil a été conçu et produit selon tous les standards de qualité pour répondre aux exigences les plus élevées. Son exploitation est facile et sécurisée. Et avec une utilisation correcte il vous servira longtemps.



AVERTISSEMENT!

Lire attentivement les instructions avant d'utiliser votre nouvel outil. Prêter attention aux sections «**Avvertissement**». Votre outil électrique possède des caractéristiques qui facilitent votre travail. Cet instrument a été conçu et produit selon toutes les exigences de sécurité pour que son usage et son entretien soient faciles.



Ne pas jeter les outils électroportatifs avec les ordures ménagères!

Les déchets provenant d'outils électroportatif ne doivent pas être ramassés avec les ordures ménagères. Prière de recycler sur les lieux qui y sont spécialement destinés. Contacter les autorités locales ou un représentant pour des consultations concernant le recyclage.

RESPECT DE L'ENVIRONNEMENT



Récupération des matières premières plutôt qu'élimination des déchets.

En vue à la protection de l'environnement, les appareils, comme d'ailleurs leurs accessoires et emballages, doivent pouvoir suivre chacun une voie de recyclage appropriée. Nos pièces en matières artificielles ont été marquées en vue d'un recyclage sélectif des différents matériaux.

LÉGENDE

L'outil électrique porte une plaque décrivant les signes spéciaux. Ils apportent une information importante quant au produit ou des instructions d'utilisation.



Double isolation pour une meilleure sécurité



Conforme aux directives européennes applicables



En conformité avec les exigences des standards Russes



En conformité avec les exigences des standards ukrainiens



Lisez les instructions d'utilisation

YYYY-Www Période de production, où les symboles variables sont les suivants:
YYYY - année de production, **ww** – le numéro de la semaine du calendrier

GUR TOURNEVIS À FRAPPER SANS FIL

II - Spécifications techniques

Modèle	GUR 15Li HD
▪ Moteur électrique	14.4 V
▪ Vitesse à vide	0–2400 min ⁻¹
▪ Fréquence des coups	0–3200 min ⁻¹
▪ Couple moteur maximal	145 Nm
▪ Logement pour embouts	1/4" (6.35 mm) ○
▪ Diamètre maximal de	
- Vis de machine	M4–M8
- Vis à utilisation générale	M5–M12
- Vis à haute résistance	M5–M10
▪ Réglage électronique de la vitesse de rotation -- à gauche – à droite	oui
▪ Frein électrique	oui
▪ Indication par diodes de la charge batterie	oui
▪ Poids (Procédure EPTA 01/2003)	
- avec la batterie 1.5 Ah	1.3 kg
- avec la batterie 2.6/3.0Ah	1.4 kg

INFORMATION CONCERNANT LE BRUIT ET LES VIBRATIONS

(Les valeurs sont mesurées conformément à EN 60745.)

▪ Emission de bruit	
A-niveau pondéré de la pression sonore L _{PA}	90 dB(A)
Incertitude E _{PA}	3 dB
A-niveau pondéré de la puissance sonore L _{WA}	101 dB(A)
Incertitude E _{WA}	3 dB



Utilisez des protecteurs auditifs !

▪ Emission de vibrations *	
<i>Valeur globale des vibrations (somme vectorielle sur les trois axes), déterminée conformément à EN 60745.</i>	
Valeur d'émission vibratoire a _{h,D}	15 m/s ²
Incertitude E _{h,D}	1.5 m/s ²
* Les vibrations ont été mesurées conformément au point 06/02/07 de EN 60745-1.	

BATTERIE (Li-Ion):

▪ Tension	14.4 V
▪ Capacité	1.5 / 2.6 / 3.0 Ah
▪ Poids	0.3 / 0.5 / 0.5 kg

CHARGEUR

▪ A l'entrée:	
Tension / fréquence	230V ~50Hz
Puissance consommée	60 VA
▪ Tension de sortie / courant	14.4V / 2.6A
▪ Temps de recharge - batterie 1.5 Ah	30 min
- batterie 2.6/3.0Ah	60 min
▪ Poids	0.6 kg

L'amplitude d' l'accélération indiquée dans ces instructions d'utilisation a été mesurée suivant les méthodes de mesurage conformément à la norme EN 60745 et peut être utilisée pour une comparaison d'appareils. Le niveau de vibration peut être utilisé pour faire une estimation provisoire du degré d'influence vibratoire.

Le niveau de vibration annoncé concerne la fonction principale de l'outil. Dans des cas où l'outil est destinée à une autre utilisation ou avec d'autres accessoires, ou s'il est mal entretenu, le niveau de vibration peut s'écarter de celui qui a été indiqué. Si c'est le cas, le degré d'influence peut fortement augmenter au cours de l'utilisation

Pour une estimation précise de l'influence vibratoire pendant un certain temps d'utilisation, il est recommandé de prendre aussi en considération les espaces de temps pendant lesquels l'appareil est éteint ou sous tension, mais pas vraiment utilisé. Ceci peut réduire considérablement l'influence vibratoire pendant toute la durée du travail.

Entretenez l'outil et ses accessoires en bon état. Gardez vos mains chaudes au cours de son utilisation – cela va diminuer les conséquences négatives lorsque vous travaillez à des hauts degrés de vibrations.

III - Avertissements de sécurité généraux pour l'outil



AVERTISSEMENT! Lire tous les avertissements de sécurité et toutes les instructions. Ne pas suivre les avertissements et instructions peut donner lieu à un choc électrique, un incendie et/ou une blessure sérieuse.

Conservé tous les avertissements et toutes les instructions pour pouvoir s'y reporter ultérieurement.

Le terme «outil» dans les avertissements fait référence à votre outil électrique alimenté par le secteur (avec cordon d'alimentation) ou votre outil fonctionnant sur batterie (sans cordon d'alimentation).

1. SÉCURITÉ DE LA ZONE DE TRAVAIL

- Conservé la zone de travail propre et bien éclairée. Les zones en désordre ou sombres sont propices aux accidents.
- Ne pas faire fonctionner les outils électriques en atmosphère explosive, par exemple en présence de liquides inflammables, de gaz ou de poussières. Les outils électriques produisent des étincelles qui peuvent enflammer les poussières ou les fumées.
- Maintenir les enfants et les personnes présentes à l'écart pendant l'utilisation de l'outil. Les distractions peuvent vous faire perdre le contrôle de l'outil.

2. SÉCURITÉ ÉLECTRIQUE

- Il faut que les fiches de l'outil électrique soient adaptées au socle. Ne jamais modifier la fiche de quelque façon que ce soit. Ne pas utiliser d'adaptateurs avec des outils à branchement de terre. Des fiches non modifiées et des socles adaptés réduiront le risque de choc électrique.
- Éviter tout contact du corps avec des surfaces reliées à la terre telles que les tuyaux, les radiateurs, les cuisinières et les réfrigérateurs. Il existe un risque accru de choc électrique si votre corps est relié à la terre.
- Ne pas exposer les outils à la pluie ou à des conditions humides. La pénétration d'eau à l'intérieur d'un outil augmentera le risque de choc électrique.
- Ne pas maltraiter le cordon. Ne jamais utiliser le cordon pour porter, tirer ou débrancher l'outil. Maintenir le cordon à l'écart de la chaleur, du lubrifiant, des arêtes ou des parties en mouvement. Des cordons endommagés ou emmêlés augmentent le risque de choc électrique.
- Lorsqu'on utilise un outil à l'extérieur, utiliser un prolongateur adapté à l'utilisation extérieure. L'utilisation d'un cordon adapté à l'utilisation extérieure réduit le risque de choc électrique.
- Si l'usage d'un outil dans un emplacement humide est inévitable, utiliser une alimentation

protégée par un dispositif à courant différentiel résiduel (RCD). L'usage d'un RCD réduit le risque de choc électrique.

3. SÉCURITÉ DES PERSONNES

- Rester vigilant, regarder ce que vous êtes en train de faire et faire preuve de bon sens dans votre utilisation de l'outil. Ne pas utiliser un outil lorsque vous êtes fatigué ou sous l'emprise de drogues, d'alcool ou de médicaments. Un moment d'inattention en cours d'utilisation d'un outil peut entraîner des blessures graves des personnes.
 - Utiliser un équipement de sécurité. Toujours porter une protection pour les yeux. Les équipements de sécurité tels que les masques contre les poussières, les chaussures de sécurité antidérapantes, les casques ou les protections acoustiques utilisés pour les conditions appropriées réduiront les blessures de personnes.
 - Éviter tout démarrage intempestif. S'assurer que l'interrupteur est en position arrêt avant de brancher l'outil au secteur et/ou au bloc de batteries, de le ramasser ou de le porter. Porter les outils en ayant le doigt sur l'interrupteur ou brancher des outils dont l'interrupteur est en position marche est source d'accidents.
 - Retirer toute clé de réglage avant de mettre l'outil en marche. Une clé laissée fixée sur une partie tournante de l'outil peut donner lieu à des blessures de personnes.
 - Ne pas se précipiter. Garder une position et un équilibre adaptés à tout moment. Cela permet un meilleur contrôle de l'outil dans des situations inattendues.
 - S'habiller de manière adaptée. Ne pas porter de vêtements amples ou de bijoux. Garder les cheveux, les vêtements et les gants à distance des parties en mouvement. Des vêtements amples, des bijoux ou les cheveux longs peuvent être pris dans des parties en mouvement.
 - Si des dispositifs sont fournis pour le raccordement d'équipements pour l'extraction et la récupération des poussières, s'assurer qu'ils sont connectés et correctement utilisés. Utiliser des collecteurs de poussière peut réduire les risques dus aux poussières.
- ## 4. UTILISATION ET ENTRETIEN DE L'OUTIL
- Ne pas forcer l'outil. Utiliser l'outil adapté à votre application. L'outil adapté réalisera mieux le travail et de manière plus sûre au régime pour lequel il a été construit.
 - Ne pas utiliser l'outil si l'interrupteur ne permet pas de passer de l'état de marche à arrêt et vice versa. Tout outil qui ne peut pas être commandé par l'interrupteur est dangereux et il faut le réparer.
 - Débrancher la fiche de la source d'alimentation en courant et/ou le bloc de batteries de l'outil avant tout réglage, changement d'accessoires ou avant de ranger l'outil. De telles mesures de sécurité préventives réduisent le risque de démarrage accidentel de l'outil.
 - Conservé les outils à l'arrêt hors de la portée des

enfants et ne pas permettre à des personnes ne connaissant pas l'outil ou les présentes instructions de le faire fonctionner. *Les outils sont dangereux entre les mains d'utilisateurs novices.*

- e) **Observer la maintenance de l'outil. Vérifier qu'il n'y a pas de mauvais alignement ou de blocage des parties mobiles, des pièces cassées ou toute autre condition pouvant affecter le fonctionnement de l'outil. En cas de dommages, faire réparer l'outil avant de l'utiliser. De nombreux accidents sont dus à des outils mal entretenus.**
- f) **Garder affûtés et propres les outils permettant de couper. Des outils destinés à couper correctement entretenus avec des pièces coupantes tranchantes sont moins susceptibles de bloquer et sont plus faciles à contrôler.**
- g) **Utiliser l'outil, les accessoires et les lames etc., conformément à ces instructions, en tenant compte des conditions de travail et du travail à réaliser. L'utilisation de l'outil pour des opérations différentes de celles prévues pourrait donner lieu à des situations dangereuses.**

5. MAINTENANCE ET ENTRETIEN

- a) **Faire entretenir l'outil par un réparateur qualifié utilisant uniquement des pièces de rechange identiques. Cela assurera que la sécurité de l'outil est maintenue.**

IV - Consignes supplémentaires de sécurité lors du travail avec des tournevis à percussion sans fil

- **Utilisez une protection acoustique lors du travail avec des tournevis à percussion sans fil. Le bruit intense émis lors du travail peut entraîner des troubles de l'audition.**
- Tenez l'outil électrique par ses surfaces isolées de préhension si vous exécutez une opération lors de laquelle il est possible que la visse enfoncée entre en contact avec un fil électrique invisible de l'extérieur. Le contact avec un fil sous tension transmettra cette tension aux parties métalliques de l'outil et l'opérateur subira un choc électrique.
- Rendez-vous bien compte que cet outil électrique est toujours en état de marche, si bien qu'il n'est pas nécessaire qu'il soit branché au secteur. Mettez toujours l'interrupteur en position ARRÊT lorsque vous placez ou que vous enlevez la batterie.

V - Consignes supplémentaires pour le travail avec le chargeur

- Avant d'utiliser le chargeur, lisez toutes les instructions et les consignes de sécurité figurant sur celui-ci et sur la batterie, de même que les instructions concernant le travail avec la batterie.
- Chargez les batteries uniquement à l'intérieur de locaux, le chargeur étant destiné à travailler seulement à l'intérieur.



AVERTISSEMENT: Si la batterie est fissurée ou endommagée de quelque autre façon, ne la placez pas dans le chargeur. Il existe un danger d'électrocution.



AVERTISSEMENT: Il est interdit que du liquide entre en contact avec le chargeur. Il existe un danger d'électrocution.

- Le chargeur est construit et prévu pour fonctionner uniquement avec la batterie SPARKY faisant partie de l'ensemble livré. Toute autre utilisation peut créer un risque d'incendie ou l'électrocution.
- Le chargeur et la batterie livrée avec lui ne sont destinés qu'à fonctionner ensemble. Ne tentez pas de charger la batterie avec un chargeur autre que celui qui entre dans l'ensemble livré.
- Ne pas placer d'objets sur le chargeur, cela peut provoquer sa surchauffe. Ne placez pas le chargeur à proximité d'une source de chaleur.
- Ne tirez pas sur le câble du chargeur quand vous voulez le débrancher de la prise.
- Assurez-vous que le câble du chargeur est situé de façon excluant toute possibilité de marcher ou de trébucher dessus, de l'endommager ou de lui faire subir une tension mécanique.
- N'utiliser des rallonges du câble que lorsque cela est vraiment nécessaire. L'utilisation d'une rallonge non appropriée peut créer un risque d'incendie ou d'électrocution.
- Cessez d'utiliser le chargeur s'il a subi un choc important, s'il est tombé ou s'il présente une défaillance quelconque. N'utilisez pas le chargeur si son câble d'alimentation ou sa fiche sont défectueux – ils doivent être remplacés sans délai. Nous vous recommandons de vous adresser à un atelier de service après-vente agréé pour la maintenance ou la réparation.
- Si le câble d'alimentation est endommagé, son remplacement doit être effectué par le constructeur ou par un spécialiste agréé par celui-ci, afin que soit évité tout risque résultant de ce remplacement.
- N'jamais désassembler le chargeur. Pour toute réparation nécessaire, adressez-vous à un atelier agréé. Un réassemblage incorrect peut engendrer des risques d'incendie ou d'électrocution.
- Afin de minimiser les risques d'électrocution, il faut toujours débrancher le chargeur de la prise avant

toute opération de nettoyage. En n'enlevant que la batterie, on ne réduit pas ce danger.

- Ne jamais essayer de brancher deux chargeurs en série.
- Ce chargeur a été conçu pour être alimenté à partir d'un réseau standard (220–240 V). Ne tentez pas de brancher le chargeur à un réseau possédant une autre tension.
- S'il faut recharger une deuxième batterie, débranchez le chargeur du secteur et laissez-le se refroidir pendant 15 minutes au moins. Ce temps passé, vous pouvez procéder au chargement de la batterie suivante.
- Dans certaines conditions, le chargeur étant branché au secteur, un corps étranger peut provoquer un court-circuit entre les contacts ouverts du chargeur. Les matériaux conducteurs, par exemple, la liste suivante n'étant pas exhaustive : la laine d'acier, les feuilles d'aluminium ou tout autre matériau se composant de particules métalliques, doivent être tenus à l'écart des parties creuses du chargeur. Lorsque dans le chargeur n'est pas placée une batterie, celui-ci doit être obligatoirement débranché du secteur. Débranchez le chargeur avant de procéder à son nettoyage.
- Évitez de laisser geler et ne plongez pas le chargeur dans de l'eau ou un autre liquide.

VI - Consignes supplémentaires pour le travail avec les batteries

- La batterie de cet outil électrique est fournie partiellement chargée. La batterie doit être complètement chargée avant le début du travail.



AVERTISSEMENT: Si la batterie est fissurée ou endommagée de quelque autre façon, ne la placez pas dans le chargeur. Il existe un danger d'électrocution.

- On peut obtenir une longévité maximale et jouir des qualités optimales de fonctionnement de la batterie en chargeant celle-ci à une température ambiante allant de 18°C à 24°C. Ne chargez pas la batterie à une température ambiante plus basse que +4°C ou plus élevée que +40°C. Ceci est très important et constitue un moyen d'éviter à la batterie des dommages graves.
- Pendant le chargement, le chargeur et la batterie peuvent être chauds au toucher. Ceci est normal et ne signale la présence d'aucun dysfonctionnement.
- Afin d'éviter un réchauffement excessif, ne chargez pas les batteries sous les rayons directs du soleil, par un temps très chaud ou à proximité de sources de chaleur.
- Ne les chargez pas dans une cabine ou un réservoir. Pendant le chargement, la batterie doit être placée dans un local bien aéré.
- Lorsque la batterie est endommagée, il peut y avoir une fuite de liquide qui risque d'humidifier les objets environnants. Examinez les objets environnants, net-

toyez-les et en cas de besoin, remplacez-les.

- Si la batterie ne se recharge pas normalement:
 - (1) Vérifiez la présence de tension dans le secteur à l'aide d'une ampoule ou d'un phasemètre.
 - (2) Déplacez le chargeur avec la batterie à un endroit où la température ambiante est entre 18°C et 24°C.
 - (3) Si après tout cela le problème de rechargement de la batterie persiste, emportez ou envoyez l'outil électrique avec la batterie et le chargeur à l'atelier local de service après vente.
- Il faut recharger la batterie lorsqu'elle cesse de produire une puissance suffisante pour des opérations qui avant cela étaient exécutées sans difficulté. Dans un tel cas, ARRÊTEZ LE TRAVAIL et engagez une procédure de rechargement.
- Ne brûlez pas les batteries, même si elles sont gravement endommagées ou qu'elles ne peuvent plus être rechargées. Les batteries peuvent exploser dans le feu.
- Pour faciliter le refroidissement de la batterie après le travail, par temps chaud; évitez d'utiliser le chargeur ou la batterie sous un auvent métallique ou dans une caravane sans isolation thermique.



AVERTISSEMENT: N'essayez jamais d'ouvrir la batterie, quelle qu'en soit la raison. Si le boîtier en matière plastique de la batterie vient à se casser ou à se fissurer, remettez la batterie à l'atelier de service après vente pour son recyclage.

AVANT D'ESSAYER DE CHARGER LA BATTERIE POUR VOTRE OUTIL ELECTRIQUE, LISEZ TOUTES LES CONSIGNES FIGURANT DANS LA SECTION CONSACREE AU CHARGEUR.

- Utilisez toujours une batterie convenable de SPARKY (celle qui est fournie avec l'outil électrique ou une batterie de rechange identique). N'utilisez jamais aucune autre batterie. Ceci risque d'endommager l'outil électrique et peut engendrer une situation dangereuse.
- Chargez les batteries en utilisant uniquement des chargeurs de SPARKY.
- Ne jetez pas les batteries avec les ordures ménagères. Les batteries doivent être ramassées à part et remises pour leur recyclage en conformité avec les règles de protection de l'environnement.

PLACER ET ENLEVER UNE BATTERIE

Pour enlever la batterie: pressez simultanément sur les deux boutons pour libérer la batterie (9), puis tirez sur celle-ci pour l'extraire du boîtier de l'outil électrique.



AVERTISSEMENT: Placez toujours le commutateur de changement du sens de rotation (4) en position centrale avant d'effectuer toute opération sur l'outil électrique, par exemple, pose et chargement d'une batterie, remplacement d'un embout, transport, maintenance ou conservation de l'outil électrique.

Pour la mise en place de la batterie : Introduisez la batterie (10) dans l'orifice situé à la base de l'outil électrique, sous le bouton (9) ; enfoncez-la jusqu'à ce que vous ayez entendu le dé clic caractéristique.

CHARGER UNE BATTERIE

Branchez la fiche du chargeur (12) dans la prise. L'indicateur lumineux du chargeur (11) clignotera, en s'allumant successivement, pour une seconde, en vert, en rouge et en jaune, puis entrera en régime d'attente.

Placez la batterie (10) dans le logement du chargeur en respectant la polarité.

Les nouvelles batteries déploient toute leur capacité au bout de 5 cycles de charge/décharge. Les batteries qui n'ont pas été utilisées pendant longtemps doivent être chargées et déchargées 2 à 3 fois avant de commencer à fonctionner correctement.

Lorsque la durée d'utilisation de la batterie diminue considérablement indépendamment de son chargement complet, la vie de cette batterie a vraisemblablement atteint sa fin. Une telle batterie doit être immédiatement remplacée.



AVERTISSEMENT: La batterie se recharge complètement en l'espace d'environ 1 heure. Ce temps passé, enlevez la batterie du chargeur.

1) Fonctionnement des voyants lumineux lors du chargement:

Voyant vert clignotant: avant le placement de la batterie;

Voyant rouge: pendant le chargement de la batterie;

Voyant vert: Le chargement est achevé ;

Voyant rouge clignotant: régime d'attente (la batterie est surchauffée) ;

Voyant vert clignotant: chargement impossible.

2) En cas de tentative de charger une batterie surchauffée immédiatement après son utilisation ou son chargement, on voit s'allumer un voyant rouge clignotant (régime d'attente). Le ventilateur de refroidissement du chargeur se met automatiquement en marche pour abaisser la température de la batterie. Après le refroidissement de la batterie, le clignotement du voyant rouge s'arrête et ce dernier commence à émettre une lumière rouge continue.

3) Le chargeur repère le niveau de chargement de la batterie et lorsque celle-ci est presque chargée, il passe en régime de chargement supplémentaire et d'entretien de la batterie en état chargé.

CONSEILS VISANT L'OBTENTION D'UNE LONGEVITE ACCRUE DES BATTERIES

- Ne rechargez pas la batterie après un bref travail avec celle-ci, cela peut réduire sa durée de vie et entraîner une réduction de la capacité de celle-ci.
- Lorsque vous n'utilisez pas la batterie, tenez-la à l'écart de trombones, de pièces de monnaie, de clés, de clous, de vis et d'autres petits objets en métal qui risquent de court-circuiter ses bornes. Un court-circuit des bornes de la batterie peut provoquer un incendie ou une explosion.

- Débranchez toujours le chargeur du secteur lorsque vous ne l'utilisez pas et conservez-le en un endroit sec et sécurisé.
- Ne chargez pas de batteries et ne tenez pas le chargeur dans des locaux où la température risque de tomber au-dessous de 0°C ou de s'élever au-dessus de +40°C.

INDICATEUR SIGNALANT L'ETAT DE LA BATTERIE

Pendant le travail, l'état de la batterie est contrôlé à l'aide du d'un indicateur à diodes émetteurs de lumière (7). Pour activer l'indicateur, pressez sur le bouton de celui-ci (8). (Fig. 1)

1. La batterie est chargée de 70 à 100%
2. La batterie est chargée de 30 à 69%
3. La batterie est chargée à moins de 30%
4. La batterie est complètement épuisée

VII - Présentation de l'outil électrique

Avant de commencer le travail avec l'outil électrique, prenez connaissance des particularités de son fonctionnement et des conditions de sécurité à respecter.

L'outil et ses accessoires doivent être utilisés uniquement pour les travaux pour lesquels ils ont été prévus. Toute autre utilisation est strictement interdite.

1. Bague de serrage
2. Logement pour embout
3. Eclairage par diodes
4. Sélecteur de direction de rotation
5. Interrupteur
6. Interrupteur de l'éclairage
7. Indicateur de charge de la batterie par diodes émetteuses de lumière
8. Bouton du voyant à diode de la batterie
9. Cliquets de fixation de la batterie
10. Batterie
11. Voyant à diode du chargeur
12. Chargeur

VIII - Instructions pour le travail

ECLAIRAGE PAR DIODES DE LA ZONE DE TRAVAIL

L'outil électrique est doté de diodes émetteuses de lumière (3) qui servent à améliorer l'éclairage de la zone de travail lorsque ce travail a lieu dans des endroits mal éclairés. Pour allumer ou éteindre l'éclairage supplémentaire, pressez sur le bouton (6). L'éclairage par diodes de la zone de travail s'éteint automatiquement au bout de 10 minutes de fonctionnement.

SELECTION DE LA DIRECTION DE ROTATION

Le levier (4) placé en position droite extrême (vue de l'arrière) produit la rotation en sens antihoraire; placé en position gauche extrême, il produit la rotation en sens horaire. Lorsque l'interrupteur (5) est enfoncé, le levier (4) ne peut pas être déplacé. (Fig. 2)



AVERTISSEMENT: Le changement de la direction de rotation ne peut être effectué que si le moteur est à arrêt.

Les vis sont vissées lorsque l'interrupteur est en position gauche extrême. Les vis sont dévissées lorsque l'interrupteur est en position droite extrême.

MARCHE - ARRÊT

Marche: appuyer sur l'interrupteur (5).

Arrêt: relâcher l'interrupteur (5).

L'outil électrique est doté d'un frein. L'arbre moteur s'arrête dès que l'interrupteur est complètement relâché.

REGLAGE ELECTRONIQUE PROGRESSIF DE LA VITESSE

Une légère pression sur l'interrupteur (5) provoque le lancement de l'outil électrique à petite vitesse ; cette vitesse augmente progressivement pour atteindre son maximum au fur et à mesure qu'on augmente la pression sur l'interrupteur pour finir par l'enfoncer à fond.

TRAVAIL AVEC L'OUTIL ELECTRIQUE

La percussion est enclenchée lorsque la charge dépasse un certain niveau. En pressant sur l'interrupteur lors de la marche à vide, on ne provoque qu'un changement de la vitesse de rotation.

Le couple de serrage dépend de la durée de percussion. Normalement, le couple de serrage maximal est obtenu au bout de 3 à 10 secondes de fonctionnement en régime de percussion. Ce temps passé, le couple de serrage ne s'augmente que de façon insignifiante. Un long fonctionnement en régime de percussion peut endommager l'outil ou le moteur électrique peut brûler.

Le couple de serrage dépend de la longueur, de la classe et du diamètre de la vis, de la dureté du matériau (bois, métal, etc.) dans lequel elle est vissée et du type de la rondelle utilisée. N'utilisez l'outil électrique qu'après avoir attentivement évalué le temps convenable de fonctionnement en régime de percussion; en procédant à un serrage d'essai et en mesurant la valeur du couple de serrage à l'aide d'une clé dynamométrique.



AVERTISSEMENT: Un outil électrique dont l'interrupteur est endommagé est dangereux et doit être réparé avant son utilisation.

PLACER ET ENLEVER UN EMBOUT (FIG. 3)



AVERTISSEMENT: Enlevez la batterie ou placez le sélecteur de changement de la direction de rotation (6) en position centrale (neutre).

Montage d'un embout:

1. Tirez en avant la bague de serrage (1).
2. Placez l'embout dans le logement hexagonal (2).
3. Libérez la bague de serrage; celle-ci revient en sa position initiale en serrant l'embout.



AVERTISSEMENT: Si la bague de serrage ne revient pas en position initiale, l'embout n'est pas placé correctement.

Démontage d'un embout:

Tirez en avant la bague de serrage et gardez-la en cette position tant que vous enlevez l'embout.

VISSER ET DEVISSER DES VIS

Choisissez un embout correspondant à la vis, placez l'embout dans les fentes de la tête de vis et serrez.

Appliquez sur l'outil une pression longitudinale à peine suffisante pour retenir la tête de vis.



AVERTISSEMENT: Un serrage excessif peut provoquer le brisement de la vis ou endommager l'embout.

- Un temps de serrage trop long engendrera un serrage excessif de la vis et celle-ci peut se casser.
- Le serrage lors duquel l'outil est tenu sous un angle par rapport à la vis peut endommager la tête de vis et en outre, le couple moteur ne sera pas communiqué entièrement à la vis.

IX - Maintenance



AVERTISSEMENT: Placez toujours le commutateur de changement du sens de rotation (6) en position centrale avant d'effectuer toute opération sur l'outil électrique, par exemple, pose et chargement d'une batterie, remplacement d'un embout, transport, maintenance ou conservation de l'outil électrique.

Vérifiez régulièrement si les vis du bootier sont solidement serrées. Suite à une longue utilisation, ces vis peuvent se relâcher sous l'effet des vibrations.

Ayez soin de lubrifier régulièrement toutes les parties mobiles.

NETTOYAGE

Pour assurer la sécurité du travail, entretenir toujours propres l'outil et les orifices de ventilation.

Vérifiez régulièrement si à l'intérieur de la grille de ventilation, à proximité du moteur électrique ou autour des commutateurs ne se sont pas accumulés de la poussière et des corps étrangers. Utilisez une brosse douce pour éliminer la poussière accumulée. Pour protéger vos yeux, porter des lunettes de protection lors du nettoyage. Si le boîtier de l'outil a besoin de nettoyage, essuyez-le à l'aide d'un chiffon mouillé. Vous pouvez utiliser un détergent non agressif.



AVERTISSEMENT: Il est interdit d'utiliser de l'alcool de nettoyage ou d'autres solvants. N'utilisez jamais des produits agressifs pour le nettoyage des pièces en matière plastique.



AVERTISSEMENT: Ne permettez pas à de lourdes entrées en contact avec l'outil.

Consignes concernant le nettoyage du chargeur:

- Les parties extérieures du chargeur saligaud enduites séduites doivent être nettoyées à l'aide d'un chiffon ou d'une brosse douce, non métallique.
- Ne pas utiliser à cette fin de l'eau et des détergents.

IMPORTANT! Afin d'assurer la sécurité du travail avec l'outil et le fonctionnement fiable de celui-ci, toutes les opérations de réparation, d'entretien et de réglages doivent être effectuées dans les centres d'entretien agréés de SPARKY avec l'utilisation exclusive de pièces d'origine.

X - Garantie

La période de garantie des outils électroportatifs SPARKY est définie dans le contrat de garantie.

La garantie ne couvre pas les pannes apparues suite à l'usure naturelle, une surcharge ou une mauvaise exploitation.

Les pannes survenues pour cause de matériaux défectifs et/ou d'erreurs de fabrication seront réparées gratuitement ou le produit sera échangé.

Les réclamations pour un instrument SPARKY défectueux seront honorées si la machine est retournée au livreur ou est présentée à un service après-vente agréé assemblé et dans son état original (assemblée).

Note

Lisez attentivement toute cette instruction d'utilisation avant de commencer à vous servir de l'outil.

Le fabricant ne se défait pas du droit d'introduire des améliorations et des changements dans ses produits ainsi que de changer les spécifications sans avis préalable.

Les spécifications peuvent différer selon les pays.

Indice

I	- Introduzione	27
II	- Caratteristiche tecniche	29
III	- Avvertenze di sicurezza	30
IV	- Ulteriori norme di sicurezza per avvitatori ad impulso a batteria	31
V	- Istruzioni per l'uso del caricabatteria	31
VI	- Istruzioni per l'uso della batteria	31
VII	- Elementi della macchina	A/33
VIII	- Uso della macchina	33
IX	- Manutenzione	34
X	- Garanzia	34

PRIMA DELL'USO

Prima dell'uso verificare la presenza di tutti i componenti e degli accessori elencati. In caso di mancanze o apparenti difetti rivolgersi al rivenditore specializzato. L'inosservanza di tale raccomandazione potrebbe provocare gravi incidenti.

ASSEMBLAGGIO

Questi avvitatori/trapani a batteria sono forniti completamente montati.

I - Introduzione

Questo utensile SPARKY supererà le Vostre aspettative. La produzione secondo i rigorosi standard di qualità SPARKY assicura un'ottima prestazione. Se utilizzato correttamente, l'utensile risulterà maneggevole e sicuro, e garantirà un uso duraturo.



AVVERTENZA:

Leggere attentamente tutte le istruzioni prima dell'utilizzo dell'utensile. Leggere con cura soprattutto le parti introdotte da "Attenzione!". Questo utensile SPARKY presenta numerose caratteristiche che faciliteranno il Suo lavoro. Sicurezza, qualità ed affidabilità sono punti chiave nello sviluppo di questo utensile, e lo rendono semplice nell'uso e nella manutenzione.



Non smaltire elettrodomestici insieme a rifiuti domestici!

Residui di prodotti elettrici devono essere smaltiti separatamente dai rifiuti domestici e sottoposti ad un riciclaggio ecologico. Si prega di informarsi presso le autorità locali o i rivenditori specializzati circa il più vicino luogo di raccolta.



RISPETTO DELL'AMBIENTE

Macchina, accessori ed imballaggio devono essere destinati ad una riutilizzazione ecologica per il recupero di materie prime.

I componenti in plastica sono contrassegnati per relativo riciclaggio.

SIMBOLI

L'etichetta che si trova sulla macchina contiene alcuni simboli. Questi forniscono importanti informazioni sull'utensile o istruzioni sull'uso dello stesso.



Doppio isolamento per ulteriore sicurezza



Corrisponde alle direttive europee applicabili



Conforme alle esigenze dei documenti normativi russi



Conforme alle esigenze dei documenti normativi ucraini



Prendere conoscenza delle istruzioni per l'uso

YYYY-Www Periodo di produzione, ove i simboli variabili sono:
YYYY – l'anno di produzione, **ww** – la settimana di calendario consecutiva

GUR AVVITATORE AD IMPULSI A BATTERIA

II - Caratteristiche tecniche

Modello	GUR 15Li HD
▪ Carica nominale	14.4 V
▪ Giri a vuoto	0–2400 min ⁻¹
▪ Impulsi a vuoto	0–3200 min ⁻¹
▪ Coppia di serraggio max	145 Nm
▪ Attacco	1/4" (6.35 mm) ○
▪ Diametro	
- viti per metallo	M4–M8
- viti standard	M5–M12
- viti ad alta resistenza	M5–M10
▪ Regolazione elettronica della velocità, 2 sensi di rotazione	si
▪ Freno motore	si
▪ Indicatore luminoso di carica	si
▪ Peso (secondo normativa EPTA 01/2003)	
- incl. batteria 1.5 Ah	1.3 kg
- incl. batteria 2.6/3.0Ah	1.4 kg

INFORMAZIONI SULLA RUMOROSITÀ E SULLA VIBRAZIONE

(Valori determinati secondo la normativa EN 60745)

▪ Valori di emissione acustica	
Misurazione A del livello di pressione acustica L _{pA}	90 dB(A)
Incertezza K _{pA}	3 dB
Misurazione A del livello di potenza acustica L _{WA}	101 dB(A)
Incertezza K _{WA}	3 dB



Indossare cuffie di protezione!

▪ Livello di vibrazione *	
Valori di vibrazione totale (somma dei vettori dei tre assi)	
Valori di vibrazione a _{h,D}	15 m/s ²
Incertezza K _{h,D}	1.5 m/s ²
* Valori di vibrazione determinati secondo la normativa EN 60745-1:2006 (paragrafo 6.2.7)	

BATTERIA (Litio):

▪ Carica nominale	14.4 V
▪ Capacità	1.5 / 2.6 / 3.0 Ah
▪ Peso	0.3 / 0.5 / 0.5 kg

CARICABATTERIA

▪ In entrata:	
Voltaggio / frequenza	230V ~50Hz
Potenza	60 VA
▪ Voltaggio in uscita	14.4V / 2.6A
▪ Tempo di ricarica - batteria 1.5Ah	30 min
- batteria 2.6/3.0Ah	60 min
▪ Peso	0.6 kg

Il livello di vibrazione sopra indicato è stato definito seguendo il metodo di misurazione riportato nella normativa EN 60745 e può essere utilizzato per confrontare tra di loro diversi elettroutensili. Inoltre è adatto per effettuare una stima provvisoria del livello di esposizione.

Il livello di vibrazione si riferisce alle modalità d'uso principali dell'utensile. Tuttavia, se utilizzato per scopi diversi da quelli previsti, con punte poco stabili o senza adeguata manutenzione, il livello di vibrazione può variare. Ciò può aumentare sensibilmente il livello di esposizione durante il lavoro.

Per una precisa definizione del livello di esposizione dovrebbe essere preso in considerazione anche l'arco di tempo in cui l'utensile è spento o funzionante ma non in uso. Ciò può ridurre sostanzialmente il livello di esposizione durante il lavoro.

Utilizzare l'utensile e gli accessori con cura, e maneggiarlo mantenendo le mani calde così da ridurre gli effetti dannosi dell'elevato livello di vibrazioni.

III - Avvertenze di sicurezza



ATTENZIONE! Leggere tutte le istruzioni d'uso e le avvertenze di sicurezza. L'inosservanza delle istruzioni seguenti può causare folgorazioni, incendi e/o gravi danni a persone.

Conservare con cura queste istruzioni.

Il termine "utensile" in tutte le avvertenze successive si riferisce sia agli utensili collegati alla rete elettrica (con cavo di alimentazione) che agli utensili a batteria (senza cavo).

1. AREA DI LAVORO

- Mantenere l'area di lavoro pulita e ben illuminata. Le zone buie ed ingombre di oggetti favoriscono incidenti.
- Non utilizzare l'utensile in presenza di liquidi infiammabili, gas o polvere. Le scintille generate potrebbero infiammare polvere e/o vapore.
- Tenere a distanza bambini e terzi durante il funzionamento. Per una distrazione potreste perdere il controllo dell'utensile.

2. SICUREZZA ELETTRICA

- La spina dell'utensile deve essere adatta alla presa utilizzata. Non modificare la spina in alcun modo. Non utilizzare adattatori con gli utensili collegati a terra. L'impiego di una spina integra ed una presa adatta riduce i rischi di folgorazione.
- Evitare di toccare con il corpo le superfici collegate a terra quali tubi, radiatori, forni e frigoriferi. Il rischio di folgorazione aumenta se il corpo è collegato a terra.
- Non esporre l'utensile alla pioggia e all'umidità. La penetrazione d'acqua nell'utensile aumenta il rischio di folgorazione.
- Non utilizzare il cavo per scopi diversi da quello previsto. Non utilizzare il cavo per trasportare o tirare l'utensile, oppure per staccare la spina dalla presa. Tenere il cavo lontano da fonti di calore, olio, parti appuntite o in movimento. Cavi danneggiati o attorcigliati aumentano il rischio di folgorazione.
- Se l'utensile viene utilizzato all'aperto, usare una prolunga adatta all'uso esterno. L'impiego di una prolunga da esterno riduce il rischio di folgorazione.
- Se il lavoro in un ambiente umido è strettamente necessario, utilizzare una presa protetta da dispositivo a corrente residua. Ciò riduce i rischi di scosse.

3. SICUREZZA PERSONALE

- L'uso di elettroautentensili richiede attenzione e buon senso. Non utilizzare gli utensili se si è stanchi o sotto l'effetto di droghe, alcol o medicinali. Una breve disattenzione può provocare gravi danni alle persone.
- Munirsi di indumenti e dispositivi di protezione. Indossare sempre occhiali da lavoro. L'uso di dispositivi di protezione tra cui mascherina antipolvere, scarpe antiscivolo, casco e protezioni per l'udito riduce il rischio di danni a persone.

- Evitare l'accensione accidentale. Accertarsi che l'interruttore sia in posizione "OFF" prima di inserire la spina. Se si trasportano gli utensili con il dito sull'interruttore o si inserisce la spina nella presa con l'interruttore in posizione "ON" aumenta il rischio di incidenti.
- Togliere tutte le chiavi di regolazione prima di accendere l'utensile. Una chiave lasciata inserita in una parte rotante di un utensile può provocare danni a persone.
- Non utilizzare l'utensile in condizioni estreme. Mantenere sempre l'equilibrio ed i piedi ben appoggiati a terra. Questo consente un maggior controllo dell'utensile in caso di imprevisti.
- Indossare un abbigliamento adeguato. Non indossare abiti svolazzanti o gioielli. Tenere capelli, vestiti, e guanti lontani dalle parti in movimento. Abiti svolazzanti, gioielli o capelli potrebbero impigliarsi nelle parti in movimento.
- In presenza di apparecchiature per il collegamento a dispositivi di aspirazione e raccolta delle polveri, accertarsi che essi siano collegati ed utilizzarli correttamente. L'uso di queste apparecchiature può ridurre i rischi causati dalla polvere.

4. USO E MANUTENZIONE DELL'UTENSILE

- Utilizzare l'utensile più adatto per il lavoro da svolgere. L'impiego dell'utensile giusto migliora la qualità del lavoro e la sicurezza.
- Non utilizzare l'utensile se non è possibile accenderlo e spegnerlo con l'apposito interruttore. Gli utensili che non possono essere controllati con l'interruttore sono pericolosi e devono essere riparati.
- Staccare la spina dall'alimentazione di corrente prima di eseguire regolazioni, cambiare accessori o riporre l'utensile. Osservando queste precauzioni si riduce il rischio di accensione accidentale dell'utensile.
- Riporre gli utensili non utilizzati fuori dalla portata dei bambini e non consentirne l'utilizzo a persone che non conoscono l'utensile o queste istruzioni. Nelle mani di persone inesperte gli utensili possono diventare pericolosi.
- Sottoporre l'utensile a manutenzione. Verificare il corretto allineamento di tutte le parti mobili, controllare che non siano grippate e che non vi siano rotture o altri guasti che potrebbero influire sul funzionamento dell'utensile. Far riparare gli utensili danneggiati prima di riutilizzarli. Molti incidenti sono causati da utensili in pessime condizioni.
- Tenere le punte e gli strumenti da taglio puliti ed affilati. Se sottoposti ad una regolare manutenzione e pulizia consentono di lavorare in modo più preciso e sono maggiormente controllabili.
- Utilizzare l'utensile, gli accessori, gli attrezzi etc. secondo quanto indicato in queste istruzioni nonché tenendo in considerazione le condizioni di lavoro e il lavoro da eseguire. L'impiego di utensili per scopi diversi da quelli per cui sono stati progettati può dare origine a situazioni pericolose.

5. MANUTENZIONE

- Far riparare l'utensile da personale qualificato

che utilizzi solo parti di ricambio originali. In caso contrario la sicurezza dell'utensile potrebbe risultare compromessa.

IV - Ulteriori norme di sicurezza per avvitatori ad impulso a batteria

- Durante la foratura a percussione indossare sempre cuffie antirumore. L'eccessiva rumorosità può causare la perdita dell'udito.
- In caso di rischio di contatto con cavi nascosti afferrare l'utensile nelle parti prontamente isolate. Il contatto con cavi "vivi" renderà conduttrici le parti metalliche dell'utensile e provocherà scosse all'utente.
- Questo utensile è sempre pronto all'uso, in quanto non necessita di essere collegato ad una presa di corrente per entrare in funzione. Bloccare sempre l'interruttore in posizione "OFF" quando si rimuove o si inserisce la batteria.

V - Istruzioni per l'uso del caricabatteria

- Prima di utilizzare il caricabatteria leggere tutte le istruzioni e le avvertenze indicate sulle etichette nonché le istruzioni d'uso delle batterie.
- Ricaricare la batteria solo ed esclusivamente in luoghi chiusi e ben areggiati.



ATTENZIONE: Se la batteria è rotta o danneggiata in alcun modo, non inserirla nel caricabatteria. Sussiste il pericolo di scosse.



ATTENZIONE: Il caricabatteria non deve entrare in contatto con nessuna sostanza liquida. Sussiste il pericolo di scosse.

- Il caricabatteria è indicato per l'uso con sole batterie SPARKY, come quelle fornite con la macchina. L'uso di altre batterie può causare incendi o scosse.
- Il caricabatteria e le batterie fornite con la macchina sono stati progettati per essere utilizzati assieme. Si consiglia di non caricare le batterie con un caricabatteria diverso da quello fornito.
- Non porre alcun oggetto sul caricabatteria, potrebbe comportare un surriscaldamento dello stesso. Non riporre il caricabatteria vicino a fonti di calore.
- Per staccare il caricabatteria dalla corrente elettrica non tirare il cavo dal caricabatteria.
- Accertarsi che il cavo del caricabatteria sia posizionato in modo tale da non essere calpestato e/o danneggiato e da non costituire inciampo alcuno.
- Non caricare alcuna prolunga se non sia indispensabile. L'uso di una prolunga non adatta può causare

incendi o scosse.

- Non utilizzare il caricabatteria se ha subito precedentemente dei colpi, se stato fatto cadere o se danneggiato in alcun modo. Evitarne l'uso inoltre se il cavo o la spina sono danneggiati, devono essere sostituiti immediatamente. Si consiglia di recarsi in un centro di assistenza autorizzato per sottoporre il caricabatteria a controlli o per eventuali riparazioni.
- Non smontare il caricabatteria. Si consiglia di consegnarlo ad un centro autorizzato in caso sia necessaria dell'assistenza o delle riparazioni. Un riassettaggio incorretto potrebbe causare incendi o scosse.
- Prima di iniziare le operazioni di pulizia, staccare la spina del caricabatteria, riducendo così il rischio di scosse. La sola rimozione della batteria non riduce il rischio.
- Non collegare mai 2 caricabatteria tra di loro.
- Il caricabatteria è progettato per essere collegato ad una rete elettrica con tensione di alimentazione standard (230-240 V). Non connetterlo ad una fonte di alimentazione con tensione diversa da quella prevista.
- Se si desidera ricaricare un'ulteriore batteria, staccare la spina e lasciare raffreddare il caricabatteria per 15 minuti. Al termine di tale operazione è possibile ricaricare la batteria.
- In determinate condizioni può succedere che, all'interno di un caricabatteria collegato alla rete elettrica, un materiale estraneo causi un cortocircuito tra i contatti scoperti. Tenere materiali conduttori come lana d'acciaio, fogli di alluminio, o qualsiasi altro materiale metallico lontani dalle aperture del caricabatteria. Staccare sempre la spina dopo aver rimosso la batteria.
- Non congelare il caricabatteria o immergerlo in acqua e/o altri liquidi.

VI - Istruzioni per l'uso della batteria

- La batteria non viene fornita totalmente carica. Prima dell'uso caricarla completamente.



ATTENZIONE! Se la batteria presenta delle crepe o è danneggiata in alcun modo non inserirla nel caricabatteria: sussiste pericolo di scosse.

- Per assicurare una lunga durata ed un ottimo funzionamento della batteria, caricarla in ambienti ad una temperatura compresa tra i 18° e i 24°C. Non caricare la batteria in ambienti a temperatura inferiore ai 4,5°C o superiore ai 40,5°C. Questa indicazione deve essere assolutamente osservata in quanto permette di evitare gravi danni alla batteria.
- Il caricabatteria e la batteria potrebbero surriscaldarsi durante l'operazione di ricarica. Ciò è normale e non è indice di problemi.
- Per evitare che si surriscaldi, non caricare la batteria al sole, a temperature elevate, o nelle vicinanze di fonti di calore.
- Non caricare la batteria in una cabina o in un container. L'operazione di carica deve avvenire in luoghi ben

areati.

- In casi particolari ed in condizioni di lavoro estreme potrebbe succedere che una piccola perdita di liquidi fuoriesca dalla batteria. Ciò non implica che la batteria sia danneggiata. Verificare le parti dove si è riversato il liquido, pulirle e se necessario sostituirle.
- Se la batteria non si carica in modo corretto:
 - (1) Controllare la presa di corrente inserendo la spina di una lampada o tramite un cercafase.
 - (2) Spostare il caricabatteria in un ambiente a temperatura compresa tra i 18° e i 24°C.
 - (3) Se i problemi persistono, portare personalmente o spedire l'utensile insieme al caricabatteria e alla batteria al centro di assistenza più vicino.
- La batteria deve essere ricaricata quando non risulta più così potente nello svolgere lavori che in precedenza venivano svolti con facilità. **INTERROMPERE IL LAVORO** e ricaricare la batteria.
- Non bruciare la batteria, anche se gravemente danneggiata o non può più essere caricata: potrebbe esplodere.
- Per facilitare il raffreddamento dopo l'uso, evitare di porre la batteria o il caricabatteria sotto una tettoia di metallo o in una roulotte priva di isolamento termico.



ATTENZIONE! Non aprire la batteria per alcun motivo. Se la cassa di plastica è danneggiata o crepata, consegnare la batteria presso un centro di raccolta.

LEGGERE ATTENTAMENTE TUTTE LE ISTRUZIONI RELATIVE AL CARICABATTERIA PRIMA DI PROCEDERE CON LA CARICA.

- Utilizzare sempre batterie originali SPARKY (quella fornita con la macchina così come quella di ricambio). L'uso di altre batterie rispetto a quelle previste può danneggiare l'utensile e provocare situazioni pericolose.
- Caricare batterie solo con caricabatteria originali SPARKY.
- Non smaltire le batterie con i rifiuti domestici. Secondo le direttive europee le batterie usate devono essere smaltite separatamente e sottoposte ad un sistema di riciclaggio ecologico.

INSERIRE ED ESTRARRE LA BATTERIA

Per estrarre la batteria dall'avvitatore/trapano: premere il tasto di sblocco (9) posto sul lato anteriore della batteria ed estrarla tirando verso il basso.



ATTENZIONE: Prima di iniziare qualsiasi operazione con la macchina (inserimento ed estrazione della batteria, cambio della punta, lavori di manutenzione, etc.) spostare sempre l'interruttore per il senso di rotazione (4) in posizione centrale.

Per inserire la batteria: allineare la sbarra conduttrice alla parte inferiore del tasto di sblocco (9) e spingere la batteria (10) all'interno dell'utensile fino alla battuta d'arresto.

CARICARE LA BATTERIA

Inserire la spina del caricabatteria (12) nella presa. L'indicatore luminoso di carica (11) lampeggerà velocemente in luce verde, rossa e poi gialla. Dopodiché entrerà in standby. Allineare ed inserire la batteria (10) fino alla battuta d'arresto.

Una batteria nuova raggiungerà il suo stato ottimale solo dopo cinque cicli di carica e di completa scarica. Se una batteria non è stata utilizzata per molto tempo, caricarla e lasciarla scaricare completamente due volte per riprendere il funzionamento ottimale.

Dovesse la batteria funzionare per poco tempo nonostante la completa ricarica, è necessario sostituirla.



ATTENZIONE! La batteria sarà completamente carica solo dopo 1 ora, rimuoverla dal caricabatteria solo a carica ultimata.

1) Indicatori di carica:

luce verde lampeggiante: procedimento di carica in avvio

luce rossa costante: carica in processo

luce verde costante: batteria carica

luce rossa lampeggiante: standby per surriscaldamento (batteria surriscaldata)

luce gialla lampeggiante: carica non possibile (problema)

2) Se si tenta di caricare la batteria subito dopo averla usata l'indicatore luminoso rosso lampeggerà (standby per surriscaldamento). Un dispositivo azionerà automaticamente il ventilatore presente nel caricabatteria che raffredderà la batteria e la riporterà a temperature ambiente. Una volta raffreddata la batteria, l'indicatore rosso diventerà verde ed inizierà la carica.

3) Il caricabatteria individua lo stato di carica della stessa, pertanto se viene ricaricata dopo un breve uso l'apparecchio avvia una modalità di ricarica lieve e la batteria viene poi mantenuta completamente carica.

PER UNA LUNGA DURATA DELLA BATTERIA

- Non ricaricare la batteria dopo un uso breve. Ciò può causare una diminuzione della durata e della prestazione della batteria.
- Quando la batteria non viene utilizzata, tenerla lontana da oggetti metallici come graffette, monete, chiavi, chiodi, viti e/o altri oggetti metallici che potrebbero fungere da conduttori per i morsetti. Un eventuale cortocircuito può provocare incendi o esplosioni.
- Disinserire la spina del caricabatteria se non in uso e conservarlo in luogo asciutto.
- Non caricare batterie e non conservare il caricabatteria in ambienti dove la temperatura è inferiore ai 0°C o superiori i 40,5°C.

INDICATORI DELLO STATO DI CARICA DELLA BATTERIA

Durante il lavoro lo stato di carica della batteria può essere verificato mediante l'indicatore luminoso (7), pre-

mendo l'apposito pulsante (8). (fig. 1)

1 = batteria carica al 70-100%

2 = batteria carica al 30-69%

3 = batteria carica meno del 30%

4 = batteria scarica o difettosa

VII - Elementi della macchina

Prima di utilizzare la macchina è bene conoscere le sue particolarità e le avvertenze di sicurezza.

Usare l'utensile e gli accessori solo per gli scopi indicati in queste istruzioni. L'uso per qualsiasi altra finalità è severamente vietato.

1. Mandrino di serraggio
2. Mandrino portautensile
3. LED per illuminare l'area di lavoro
4. Interruttore per senso di rotazione
5. Interruttore ON/OFF
6. Interruttore per illuminare l'area di lavoro
7. Indicatore luminoso dello stato di carica della batteria
8. Pulsante di controllo dello stato di carica
9. Tasto di sblocco della batteria
10. Batteria
11. Indicatore luminoso di carica
12. Caricabatteria

VIII - Uso della macchina

ILLUMINAZIONE DELL'AREA DI LAVORO

La macchina presenta un LED per illuminare l'area di lavoro (3) che consente di lavorare con precisione anche in ambienti poco illuminati. Per attivare/disattivare i LED premere l'apposito interruttore (6).

L'indicatore luminoso si spegne automaticamente 10 minuti dopo l'accensione.

IMPOSTAZIONE DEL SENSO DI ROTAZIONE

Per una rotazione in senso antiorario posizionare l'interruttore per il senso di rotazione (4) verso destra (osservando la macchina dalla parte posteriore), per una rotazione in senso orario posizionare l'interruttore verso sinistra. Ad interruttore ON/OFF (5) premuto l'interruttore per il senso di rotazione (4) non può essere attivato. (Fig. 2)



ATTENZIONE! L'inversione del senso di rotazione può avvenire solo a macchina spenta.

È possibile forare ed avvitare solo con l'interruttore per senso di rotazione (4) posizionato verso sinistra. Viceversa è possibile svitare solo con l'interruttore posizionato verso destra.

ACCENSIONE E SPEGNIMENTO

Accendere: premere l'interruttore ON/OFF (5).

Spegnere: rilasciare l'interruttore ON/OFF (5).

L'utensile è munito di un freno motore, pertanto l'alberino si ferma non appena cessa la pressione sull'interruttore ON/OFF (5).

REGOLAZIONE ELETTRONICA DELLA VELOCITÀ

La velocità di rotazione cresce con l'aumentare della pressione sull'interruttore ON/OFF (5), fino a raggiungere il suo livello massimo ad interruttore completamente premuto.

FUNZIONAMENTO

La percussione entra automaticamente in funzione non appena il motore viene messo sotto carico. Se si preme soltanto l'interruttore a vuoto si aumenterà soltanto la velocità.

La coppia di serraggio varia a seconda della durata della funzione ad impulso. Normalmente si raggiunge la coppia massima dopo 3-10 secondi. Utilizzando la macchina per un periodo più lungo si genererà solo un lieve aumento della coppia. Un uso prolungato della funzione ad impulso potrebbe danneggiare o fondere il motore.

La coppia di serraggio varia a seconda della lunghezza, qualità e diametro della vite, nonché dal tipo di materiale dove si intende avvitare e dalla rondella utilizzata. Avviare la macchina solo dopo aver calcolato il periodo d'uso adeguato effettuando delle prove.



ATTENZIONE! Un avvitatore con un interruttore difettoso potrebbe comportare seri pericoli e deve essere subito riparato.

MONTAGGIO E CAMBIO DELLE PUNTE

(FIG. 3)



ATTENZIONE! Si consiglia di estrarre la batteria, o di impostare l'interruttore per il senso di rotazione (4) in posizione centrale (A) onde evitare un avvio accidentale.

Montaggio della vite:

1. Tirare il mandrino di serraggio (1) in avanti.
2. Inserire la vite nell'attacco esagonale del mandrino portautensile (2).
3. Rilasciare il mandrino di serraggio (1), che tonerà alla posizione di partenza fissando la vite.



ATTENZIONE! Se il mandrino di serraggio (1) non torna alla posizione iniziale ciò significa che la vite non è stata inserita correttamente.

Rimuovere la vite:

Tirare il mandrino di serraggio (1) in avanti ed estrarre la vite.

AVVITARE / SVITARE

Inserire la punta desiderata nel mandrino portautensile (2).

Esercitare una pressione moderata in modo che la punta sia solo appoggiata alla testa della vite.



ATTENZIONE! Un avvitarmento eccessivo può comportare una rottura delle viti o danni alla punta.

- Se si utilizza l'avvitatore ad impulso a lungo la vite potrebbe essere stretta troppo e rompersi.
- Avvitando con la macchina non in posizione centrale rispetto alla vite si potrebbe danneggiare la testa e la forza motrice non verrà trasmessa correttamente alla vite.

IX - Manutenzione



ATTENZIONE: Prima di iniziare qualsiasi operazione con la macchina (inserimento ed estrazione della batteria, cambio della punta, lavori di manutenzione, etc.) spostare sempre l'interruttore per il senso di rotazione (4) in posizione centrale.

Verificare regolarmente che tutte le viti della cuffia siano fissate saldamente. Dopo un uso prolungato potrebbero infatti allentarsi a causa delle vibrazioni.

Tutte le parti rotanti in metallo devono essere regolarmente lubrificate.

PULIZIA

Per poter garantire buone e sicure operazioni di lavoro, tenere la macchina e le fessure di ventilazione sempre pulite.

Verificare regolarmente che polvere o altri corpi estranei non siano penetrati nelle fessure di ventilazione o attorno agli interruttori. Utilizzare uno spazzolino morbido per rimuovere la polvere depositatasi. Proteggere gli occhi durante la pulizia indossando occhiali da lavoro.

Per pulire la macchina utilizzare un panno umido. È possibile utilizzare un leggero detersivo.



ATTENZIONE! Non utilizzare alcohol, benzina o altri solventi. È sconsigliato l'uso di detersivi aggressivi per la pulizia delle parti in plastica.



ATTENZIONE! Evitare il contatto della macchina con l'acqua.

Pulizia del caricabatteria



ATTENZIONE: Disinserire la spina dalla presa di corrente prima di pulire il caricabatteria.

- Per rimuovere polvere o grasso dalle parti esterne utilizzare un panno o uno spazzolino morbido. Non utilizzare acqua o altri detersivi.

IMPORTANTE! Per garantire la sicurezza e l'affidabilità dell'utensile, riparazioni, lavori di manutenzione ed altre regolazioni (incluso il controllo e l'eventuale sostituzione delle spazzole) devono essere effettuate da centri di assistenza SPARKY autorizzati, dove vengono adoperate solo parti originali.

X - Garanzia

Il periodo di garanzia per gli utensili SPARKY ha validità a partire dalla data di acquisto ed è conforme alle normative europee.

Non sono coperti da garanzia danni derivanti da usura, sovraccarico o uso improprio.

L'azienda produttrice assicura la sostituzione di tutte le parti non funzionanti in cui si riconoscano difetti di materiale e/o di lavorazione.

Le prestazioni di garanzia saranno erogate solo se la macchina richiesta sarà inviata in condizioni integre al rivenditore o ad un centro di assistenza, accompagnata dallo scontrino fiscale.

Ulteriori informazioni

Leggere attentamente tutte le istruzioni sull'uso prima di adoperare questo prodotto.

L'azienda produttrice si riserva il diritto di apportare modifiche tecniche senza preavviso.

Le specifiche tecniche possono variare da paese a paese.

Contenido

I	- Introducción	35
II	- Datos técnicos	37
III	- Instrucciones de seguridad de trabajo con herramientas eléctricas	38
IV	- Normas de seguridad adicionales para atornilladores de impacto a batería.....	39
V	- Normas adicionales para trabajar con cargador de batería	39
VI	- Normas adicionales para trabajar con la batería	40
VII	- Conocimiento de la herramienta eléctrica	A/41
VIII	- Instrucciones de trabajo.....	41
IX	- Mantenimiento	42
X	- Garantía.....	43

DESEMBALAJE

Debido a la moderna tecnología de producción en masa, es poco probable que su herramienta sea defectuosa o que falte una pieza. Si encuentra algo mal, no trabaje con la herramienta hasta que se haya puesto la pieza o se haya arreglado la avería. El incumplimiento de esta indicación puede provocar un grave daño personal.

ENSAMBLAJE

El atornillador de impacto a batería GUR 15Li HD se suministra envasado y completamente ensamblado.

I - Introducción

Su nueva herramienta SPARKY satisfará totalmente sus expectativas. Ha sido fabricada conforme a las exigentes Normas de calidad de SPARKY para cumplir los más elevados requisitos de funcionamiento. Su nueva herramienta es fácil y segura de manejar y, con el debido cuidado, le dará muchos años de servicio fiable.



AVISO!

Lea detenidamente todo el Manual de instrucciones antes de usar su nueva herramienta SPARKY. Preste especial atención a los **Avisos**. Su herramienta SPARKY tiene muchas funciones que harán más rápido y seguro su trabajo. La seguridad, el funcionamiento y la fiabilidad son las mayores prioridades del desarrollo de esta herramienta, lo que la hace fácil de mantener y manejar.



No tire los productos eléctricos a la basura!

Los productos eléctricos no se deben tirar a la basura. Por favor recíclelos en el lugar adecuado. Póngase en contacto con su ayuntamiento o con una empresa de reciclaje.



PROTECCIÓN MEDIOAMBIENTAL

El aparato, sus accesorios y embalaje deberán separarse para reciclarse cada uno por su lado. Los componentes de plástico llevan una etiqueta del tipo de reciclado.

DESCRIPCIÓN DE LOS SÍMBOLOS

La placa de su herramienta puede contener símbolos, que representan información importante sobre el producto o instrucciones de uso.



Doble aislamiento de protección adicional



Conformidad con las directrices europeas aplicables



Compatible con los requisitos de los documentos normativos rusos



Compatible con los requisitos de los documentos normativos ucranianos



Conozca las instrucciones de explotación

YYYY-Www Período de producción en que los símbolos variables son:
YYYY - año de producción, **ww** – semana natural consecutiva

GUR ATORNILLADOR DE IMPACTO A BATERIA

II - Datos técnicos

Modelo	GUR 15Li HD
▪ Voltaje	14.4 V
▪ Velocidad en marcha en vacío	0–2400 min ⁻¹
▪ Frecuencia de las percusiones	0–3200 min ⁻¹
▪ Momento rotatorio máximo	145 Nm
▪ Caja de terminales	¼" (6.35 mm) ○
▪ Diámetro máximo de:	
- Tornillo mecánico	M4–M8
- Tornillo de destino común	M5–M12
- Tornillo de alta resistencia	M5–M10
▪ Regulación electrónica de las revoluciones, marcha izquierda - derecha	Sí
▪ Freno eléctrico	Sí
▪ Indicación de diodo luminiscente para cargar	Sí
▪ Peso (EPTA procedimiento 01/2003)	
- con batería 1.5Ah	1.3 kg
- con batería 2.6/3.0Ah	1.4 kg

INFORMACIÓN SOBRE EL RUIDO Y LAS VIBRACIONES

(los valores se han medido en conformidad con EN 60745)

▪ Emisión de ruido:	
A-nivel medido de presión acústica L _{pA}	90 dB(A)
Indeterminación K _{pA}	3 dB
A-Nivel medido de potencia acústica L _{WA}	101 dB(A)
Indeterminación K _{WA}	3 dB



¡Utilídense medios de protección del ruido!

▪ Emisión de vibraciones*	
Valor total de las vibraciones (suma vectorial por los tres ejes) determinada en conformidad con EN 60745:	
Valor de las vibraciones emitidas a _{h,D}	15 m/s ²
Indeterminación K _{h,D}	1.5 m/s ²

* Las vibraciones se han determinado conforme al punto 6.2.7 de EN 60745-1.

BATERÍA (Li-Ion):

▪ Voltaje	14.4 V
▪ Capacidad	1.5 / 2.6 / 3.0 Ah
▪ Peso	0.3 / 0.5 / 0.5 kg

CARGADOR DE BATERÍA

▪ En la entrada:	
Voltaje / frecuencia	230V ~50Hz
Potencia consumida	60 VA
▪ Voltaje inicial / corriente eléctrica	14.4V / 2.6A
▪ Tiempo de carga - batería 1.5Ah	30 min
- batería 2.6/3.0Ah	60 min
▪ Peso	0.6 kg

El nivel de emisión indicado en la presente información ha sido medido de acuerdo con un ensayo estandarizado recogido en EN 60745 y puede usarse para comparar una herramienta con otra. Puede utilizarse para un informe preliminar de exposición.

El nivel de emisión de vibraciones declarado se aplica a las principales aplicaciones de la herramienta. De todos modos, si la herramienta se utiliza para aplicaciones diferentes, con accesorios diferentes o pobremente mantenida, la emisión de vibraciones puede variar. Esto puede aumentar significativamente el nivel de exposición durante el tiempo total de trabajo.

Una estimación del nivel de exposición a la vibración también debería tener en cuenta el tiempo en que la máquina está apagada o cuando está en marcha, pero no trabajando. Esto puede reducir de forma importante el nivel de exposición durante el tiempo total de trabajo.

Mantenga la herramienta, los accesorios y sus propias manos calientes mientras trabaje con el taladro, con el fin de reducir el doloroso efecto de las vibraciones.

III - Advertencias generales de seguridad de la herramienta

⚠ AVISO! Lea todos los avisos de seguridad y todas las instrucciones. El hecho de no seguir los avisos e instrucciones puede provocar una descarga eléctrica, fuego y/o un daño grave.

Guarde en lugar seguro todos los avisos e instrucciones para futuras consultas.

El término "herramienta" de los avisos se refiere a su herramienta eléctrica con cable o a batería.

1. SEGURIDAD DE LA ZONA DE TRABAJO

- Mantenga limpia y bien iluminada su zona de trabajo. Las zonas sucias u oscuras pueden provocar accidentes.
- No trabaje con la herramienta en ambientes explosivos, como en presencia de líquidos inflamables, gases o polvo. Las herramientas producen chispas que pueden provocar la ignición del polvo o de los gases.
- Las distracciones pueden provocar pérdidas de control.

2. SEGURIDAD ELÉCTRICA

- Los enchufes de la herramienta tienen que coincidir con la toma de corriente. No utilice adaptadores con herramientas en contacto con el suelo (enterradas). Los enchufes y tomas sin modificar reducirán el riesgo de descarga eléctrica.
- Evite el contacto corporal con superficies con contacto a tierra, como tuberías, radiadores, cocinas y frigoríficos. Hay un aumento del riesgo de descarga eléctrica si su cuerpo está en contacto con el suelo o enterrado.
- No exponga las herramientas a la lluvia o a la humedad. Si entra agua en la herramienta se aumentará el riesgo de descarga.
- No haga un uso indebido del cable. No utilice nunca el cable para llevar, tirar de o desconectar la herramienta. Mantenga el cable lejos del calor, de aceites, bordes afilados o piezas sueltas. Los cables dañados o enredados aumentan el riesgo de descarga eléctrica.
- Cuando trabaje con la herramienta al aire libre, utilice una alargadera apropiada para uso al aire libre. Utilizar un cable para exteriores reduce el riesgo de descarga eléctrica.
- Si es inevitable trabajar con la herramienta en un sitio húmedo, utilice un dispositivo de corriente residual (RCD) protegido. Utilizar un RCD reduce el riesgo de descarga eléctrica.

3. SEGURIDAD PERSONAL

- Permanezca atento a lo que está haciendo y haga caso del sentido común cuando trabaje con una

herramienta. No utilice la herramienta cuando esté cansado o bajo la influencia de las drogas, el alcohol o de medicación. Una pequeña falta de atención cuando se está trabajando con herramientas puede provocar un grave daño personal.

- Utilice equipos de protección personal. Lleve siempre un protector para los ojos. El equipamiento de protección, como mascarilla, zapatos de seguridad antideslizantes, casco o protección para los oídos, utilizado correctamente, reducirá los daños personales.
 - Evite el arranque accidental. Al coger o llevar la herramienta, asegúrese de que el interruptor esté en la posición de apagado antes de conectar la herramienta a la red eléctrica o de poner la batería. Llevar las herramientas con el dedo en el interruptor o activar las herramientas con el interruptor encendido puede provocar accidentes.
 - Retire las llaves de ajuste antes de encender la herramienta. Dejar una llave cerca de una pieza rotatoria de la herramienta puede provocar un daño personal.
 - No se precipite. Mantenga los pies y la posición correcta en todo momento. Esto posibilita un mejor control de la herramienta en situaciones inesperadas.
 - Lleve la ropa apropiada. No lleve ropa suelta o joyas. Mantenga el cabello, la ropa y los guantes lejos de piezas móviles. La ropa suelta, las joyas o el pelo largo pueden resultar atrapados por piezas móviles.
 - Si las herramientas están equipadas para conectar el extractor de polvo y dispositivos de recoger el polvo, asegúrese de que estén conectados y se usen correctamente. El uso del dispositivo de recogida de polvo puede reducir el riesgo ocasionado por el mismo.
- #### 4. USO Y CUIDADO DE LA HERRAMIENTA
- No fuerce la herramienta. Utilice la herramienta adecuada para cada aplicación. La herramienta correcta hará mejor y más seguro el trabajo para el que fue diseñada.
 - No utilice la herramienta si el interruptor no la enciende y apaga. Toda herramienta que no pueda controlarse con el interruptor es peligrosa y deberá ser reparada.
 - Desconecte el enchufe de la toma de corriente y/o la batería de la herramienta antes de hacer cualquier ajuste, cambio de accesorios o guardar las herramientas. Tales medidas preventivas de seguridad reducen el riesgo de encenderse accidentalmente la herramienta.
 - Mantenga las herramientas que no utilice fuera del alcance de los niños y no permita manejar la herramienta a personas que no estén familiarizadas con la herramienta, o que no conozcan las instrucciones. Las herramientas son peligrosas en manos de personas no familiarizadas con su uso.
 - Teniendo en cuenta las condiciones de trabajo y el trabajo a realizar. Utilizar la herramienta para acciones diferentes a las de su uso prescrito puede provocar situaciones peligrosas.

5. SERVICIO TÉCNICO

- a) Encargue el mantenimiento de su herramienta a una persona cualificada y utilice siempre recambios originales. *Esto garantizará que se mantenga la seguridad de la herramienta.*

IV - Normas adicionales de seguridad de atornilladores de impacto a batería

- Utilícese medios de protección auditiva durante el trabajo con atornilladores de impacto a batería. *El ruido intenso durante el trabajo podrá ocasionar daños de la audición.*
- Durante una operación, sujete la herramienta eléctrica por las superficies aisladas de sujeción cuando es posible que el tornillo en proceso de enroscamiento roce alguna instalación eléctrica oculta. El roce de un cable bajo voltaje pondrá bajo tensión las piezas metálicas de la herramienta eléctrica y podrá ocasionar un choque eléctrico al operador.
- Deberá ser consciente de que la herramienta eléctrica siempre está en estado de funcionamiento, dado que no es necesario que esté constantemente conectada a la red. Ponga siempre el interruptor en posición "DESCONECTADO" cuando esté colocando o retirando la batería.

V - Normas adicionales para trabajar con el cargador de batería

- Antes de utilizar el cargador de batería, lea todas las instrucciones y señales de protección sobre la batería y el cargador de batería, así como las propias instrucciones de trabajo con la batería.
- Cárquense las baterías únicamente en locales bajo techo, puesto que el cargador de batería está destinado a trabajar sólo bajo techo.



ADVERTENCIA: No coloque la batería en el cargador de batería en caso de que esté fisurada o averiada de otra forma. Existe peligro de choque eléctrico.



ADVERTENCIA: Evite dejar entrar en contacto cualquier tipo de líquido con el cargador de batería. Existe el riesgo de que se produzca un choque eléctrico.

- El cargador de batería está destinado a trabajar sólo y únicamente con la batería SPARKY incluida en el juego

de suministro. Cualquier otro uso podrá ocasionar peligro de incendio o choque eléctrico.

- La batería que se suministra junto con el cargador de batería están destinados a trabajar únicamente en conjunto. No intente cargar la batería con otro cargador, salvo el que se incluye en el suministro.
- No ponga ningún objeto sobre el cargador de batería, ya que éste podrá provocar un sobrecalentamiento. No coloque el cargador de batería cerca de cualquier fuente de calor.
- No tire del cordón eléctrico del cargador de batería para desconectarlo de la red de alimentación.
- Convénzase de que el cordón eléctrico del cargador de batería está puesto de modo que no pueda estropearse, de que no vaya a tropezar con éste, de que no vaya a averiarse o de que éste sometido a una carga mecánica.
- No utilice alargadores, a no ser que sea terminantemente necesario. El uso de un alargador inadecuado podrá ocasionar peligro de incendio o choque eléctrico.
- No utilice el cargador de batería, si se ha sometido a un golpe fuerte, y en caso de que se haya caído o averiado de cualquier otra forma. No trabaje con el cargador de batería, si su cordón eléctrico o enchufe están averiados. Éstos se deberán sustituir inmediatamente. Entregue el cargador de batería en un centro de servicio autorizado para su revisión o reparación.
- En caso de que el cable de alimentación esté averiado, su recambio habrá de efectuarse por el fabricante o por un técnico de servicio suyo a fin de evitar los peligros relacionados con el recambio.
- No desmontar el cargador de batería. En caso de que sea necesario repararlo, diríjase a un servicio autorizado. El ensamblaje secundario incorrecto podrá ocasionar peligro de incendio o choque eléctrico.
- Para reducir el peligro de choque eléctrico, desconecte el cargador de batería de la red antes de limpiarlo. Quitando únicamente la batería no se reduce este peligro.
- Nunca intente conectar dos cargadores de batería juntos.
- Este cargador de batería está previsto que se alimente de la red de alimentación estándar (220–240 V). No intente conectar el cargador de batería a una red de alimentación de otro voltaje.
- Si desea cargar una segunda batería, desconecte el cargador de batería de la red de alimentación y déjelo enfriarse al menos durante 15 minutos. Después de transcurrir este tiempo, podrá cargarse la siguiente batería.
- En determinadas condiciones, cuando el cargador de batería está conectado a la red de alimentación, cualquier objeto podrá provocar un cortacircuito entre los contactos abiertos en el cargador de batería. Deberán mantenerse lejos de las oquedades del cargador de batería todos los materiales conductores, por ejemplo, lana de acero, folio de aluminio o cualquier otro material de partículas metálicas, sin considerar que los materiales enumerados agotan los posibles materiales. Desconecte siempre el cargador de batería de la alimentación eléctrica cuando la batería no esté introducida. Antes de empezar a limpiar el cargador

de batería, desconéctelo de la red de alimentación.

- No congele ni sumerja el cargador de batería en agua o en otro líquido.

VI - Normas adicionales de trabajo con baterías

- La batería para esta herramienta eléctrica se suministra sin haber sido cargada completamente. Antes de empezar a trabajar, la batería deberá cargarse completamente.



ADVERTENCIA: No coloque la batería en el cargador de batería en caso de que esté fisurada o averiada de otra forma. Existe peligro de choque eléctrico.

- La duración máxima y las cualidades de explotación pueden lograrse si la batería se carga a una temperatura ambiental entre 18°C–24°C. No cargue la batería a temperatura del medio ambiente por debajo de +4°C o por encima de +40°C. Eso es muy importante y es una premisa para evitar graves averías con la batería.
- Durante la carga, la batería y el cargador de batería podrán estar calientes al tocarlos. Eso es normal y no es un índice de que existe un problema.
- Para evitar el sobrecalentamiento, no cargue las baterías a la luz solar directa cuando el tiempo esté caluroso o cerca de fuentes de calor.
- No cargue en una cabina o en un depósito. Durante la carga, la batería deberá estar en un local bien ventilado.
- De una batería de acumuladores con defectos, podrá derramarse electrolito que mojará las piezas vecinas. Revíselas, límpielas y recámbielas en caso de necesidad.
- Si la batería no se carga normalmente:
 - (1) Con una lámpara o un gasómetro, averigüe que en el contacto de la red no haya tensión.
 - (2) Traslade el cargador de batería con la batería a un lugar donde la temperatura del medio ambiente sea aproximadamente 18°C–24°C.
 - (3) Si de todas formas existe un problema con la carga, lleve o envíe la herramienta eléctrica junto con la batería y el cargador de batería al servicio local.
- La batería se deberá cargar cuando deje de producir una potencia suficiente para las operaciones que antes se realizaban fácilmente. En este caso, CESE DE TRABAJAR. Empiece el proceso de carga.
- No queme baterías incluso cuando tengan graves averías o ya no puedan ser cargadas. Las baterías podrán explotar en el fuego.
- En tiempo caluroso, para facilitar el enfriamiento de la batería después del uso, evite usar la batería o el cargador de batería en un sotechado metálico, o bien en una caravana sin aislamiento térmico.



ADVERTENCIA: Nunca intente abrir la batería por ningún motivo. Si el cuerpo plástico de la batería se ha roto o se ha agrietado, entréguela al servicio para que sea reciclada.

ANTES DE INTENTAR CARGAR LA BATERÍA PARA SU HERRAMIENTA ELÉCTRICA, LEA TODAS LAS INSTRUCCIONES EN LA SECCIÓN DESTINADA AL CARGADOR DE BATERÍA.

- Utilice siempre una batería apropiada SPARKY (la que ha sido suministrada con la herramienta eléctrica o una batería de reserva que sea idéntica a ésta). Jamás ponga ninguna otra batería. Ello averiaría la herramienta eléctrica y podría ocasionar una situación peligrosa.
- Cargue las baterías sólo con cargadores de batería SPARKY.
- No tire las baterías junto con los residuos domésticos. Las baterías se han de recoger por separado y ser entregadas para su reciclaje conforme a los requisitos para la protección del medio ambiente.

COLOCAR Y RETIRAR LA BATERÍA

Para retirar la batería: apriete el botón para desbloquear la batería (9), retirándola fuera del cuerpo de la herramienta eléctrica.



ADVERTENCIA: Coloque siempre el conmutador para cambiar el sentido de rotación (4), en posición media, antes de llevar a cabo cualquier acción sobre la herramienta eléctrica, por ejemplo, para colocar y cargar la batería, sustituir un terminal, para el traslado, servicio o para guardar la herramienta eléctrica.

Para colocar la batería: coloque la batería (10) en la boca de la base de la herramienta eléctrica debajo del botón (9), hasta escuchar el típico sonido de chasquido.

CARGAR LA BATERÍA

Conecte el enchufe del cargador de la batería (12) en el contacto. El indicador del cargador de la batería (11) centelleará consecutivamente con luz verde, roja y amarilla durante 1 segundo, y, posteriormente, pasará a régimen de espera.

Coloque la batería (10) en la caja del cargador de batería, tomando en consideración la posición de los polos. Las nuevas baterías funcionan con plena capacidad después de 5 ciclos de carga / descarga. Las baterías que no han sido usadas durante largo tiempo se deberán cargar y descargar 2-3 veces, hasta que empiecen a funcionar correctamente.

Cuando el tiempo de uso de la batería se reduzca de notablemente, a pesar de que haber sido cargada por completo, es posible que su duración se haya agotado. Es preciso sustituir la batería de inmediato.



ADVERTENCIA: La batería se carga por completo en 1 hora, aproximadamente. Después de transcurrir este tiempo, retire la batería del cargador.

1) Indicación durante la carga:

Luz verde intermitente: antes de colocar la batería;

Luz roja: durante la carga de la batería;

Luz verde: la carga ha terminado;

Luz roja intermitente: régimen de espera (la batería se ha sobrecalentado);

Luz amarilla intermitente: la carga no es posible.

2) Al intentar cargar una batería que esté sobrecalentada, inmediatamente después de haberla usado o cargado, el indicador comenzará a centellear con luz roja (régimen de espera). Automáticamente se conectará el ventilador de enfriamiento del cargador de batería para bajar la temperatura de la batería. Después de enfriarse la batería, la luz roja intermitente se apagará, y el indicador se iluminará con una luz roja permanente.

3) El cargador de batería distingue el nivel de carga de la batería cuando la batería está casi cargada, y pasará al régimen de carga adicional y mantenimiento de la batería ya en estado cargado.

CONSEJOS PARA LOGRAR UNA RESISTENCIA MÁS DURADERA DE LAS BATERÍAS

- No cargue nuevamente la batería después de haber transcurrido un breve tiempo de trabajo, ya que ello podrá conducir a que se reduzca la duración del trabajo y la capacidad de la batería.
- Cuando no se utilice la batería de acumuladores, guárdela lejos de clips, monedas, llaves, clavos, tornillos u otros pequeños objetos metálicos que puedan provocar un cortacircuito con sus bornes. El cortacircuito de los bornes de la batería podrá originar incendio o explosión.
- Desconecte siempre el cargador de batería del contacto eléctrico cuando no lo esté utilizando y guárdelo en un lugar seco y seguro.
- No cargue la batería ni guarde el cargador de batería en lugares donde la temperatura pueda caer bajo 0°C o sobrepasar +40°C.

INDICADOR DEL ESTADO DE LA BATERÍA

Durante el trabajo, el estado de la batería se controla mediante un indicador de diodo luminiscente (7). Para activar el indicador, apriete el botón del indicador (8). (Fig. 1)

1. La batería está cargada 70 - 100%
2. La batería está cargada 30 - 69%
3. La batería está cargada por debajo del 30%
4. La batería está completamente agotada

VII - Conocimiento de la herramienta eléctrica

Antes de empezar a trabajar con la herramienta eléctrica, conozca todas las particularidades operativas y las condiciones de seguridad.

Utilice la herramienta eléctrica y sus accesorios sólo conforme a su destinación. Queda terminantemente prohibida cualquier otra aplicación distinta a ésta.

1. Casquillo de inmovilización
2. Caja de terminal
3. Iluminación de diodo luminiscente
4. Conmutador para cambiar el sentido de rotación
5. Interruptor
6. Botón para iluminar el diodo luminiscente
7. Indicador del diodo luminiscente de la batería
8. Botón del indicador del diodo luminiscente de la batería
9. Botón de liberación de la batería
10. Batería de acumuladores
11. Indicador de diodo luminiscente del cargador de batería
12. Cargador de batería

VIII - Instrucciones de trabajo

ILUMINACIÓN DE DIODO LUMINISCENTE DE LA ZONA DE TRABAJO

La herramienta eléctrica está provista de iluminación de diodo luminiscente (3) para potenciar la iluminación de la zona de trabajo cuando se esté trabajando en lugares donde hay poca luz. Para conectar o desconectar la iluminación adicional, apriete el botón (6). La iluminación de diodo luminiscente de la zona de trabajo se desconecta automáticamente al cabo de 10 minutos de trabajo.

SELECCIÓN DEL SENTIDO DE ROTACIÓN

La posición extrema derecha de la palanca (4) (vista desde atrás) significa que la rotación se efectúa en el sentido inverso de la aguja del reloj, y la posición extrema izquierda significa que la rotación es en el sentido de la aguja del reloj. Al apretar el interruptor (5), la palanca (4) no podrá activarse. (Fig. 2)



ADVERTENCIA: El cambio del sentido de rotación se realiza únicamente cuando el husillo no esté girando.

Los tornillos se enroscan por medio de un conmutador puesto en posición extrema izquierda. Se desenroscan cuando el conmutador está en posición extrema derecha.

ARRANCAR - PARAR

Arrancar: apriétese el interruptor (5).

Parar: aflojese el interruptor (5).

La herramienta eléctrica está provista de un freno. El husillo dejará de girar inmediatamente después de que se haya aflojado por completo la palanca del interruptor.

REGULACIÓN ELECTRÓNICA PROGRESIVA DE LAS REVOLUCIONES

Al apretar ligeramente el interruptor (5), se provocará la puesta en funcionamiento de la herramienta eléctrica en revoluciones bajas, que, al apretarse con más fuerza el interruptor, irán aumentando paulatinamente hasta las máximas, hasta llegar a la posición extrema.

TRABAJO CON LA HERRAMIENTA ELÉCTRICA

La acción de percusión se conecta en caso de una carga más alta que la del nivel programado. Al apretarse el interruptor en marcha en vacío, se ocasionará sólo un cambio de las revoluciones.

El momento de apriete depende de la duración de la acción de percusión. Normalmente, el momento máximo de apriete se alcanza al cabo de 3 - 10 segundos de trabajo en régimen de percusión. Después de este periodo, el momento de apriete aumenta considerablemente. El trabajo duradero en régimen de percusión podrá ocasionar una avería o la quema del motor eléctrico.

El momento de apriete depende de la longitud, de la clase y del diámetro del tornillo, de la solidez del material (madera, metal, etc.) en que se enrosca, así como del tipo de arandela que se utiliza. Utilice la herramienta eléctrica después de calcular cuidadosamente el tiempo apropiado para la acción de percusión, efectuando un apriete de prueba y midiendo los valores del momento con la ayuda de una llave dinamométrica.



ADVERTENCIA: La herramienta eléctrica es peligrosa cuando su interruptor presente desperfectos y deberá repararse antes de ser utilizado.

COLOCAR Y RETIRAR EL TERMINAL (FIG. 3)



ADVERTENCIA: Retire la batería o coloque el conmutador para cambiar el sentido de rotación (6) en posición media (neutral)

Colocar el terminal:

1. Tire hacia adelante el casquillo de inmovilización (1).
2. Coloque el terminal en la caja hexaédrica (2).
3. Suelte el casquillo de inmovilización; éste volverá a su posición inicial en la cual agarrará el terminal.



ADVERTENCIA: Si el casquillo de inmovilización no vuelve a su posición inicial, el terminal no ha sido colocado correctamente.

Retirar el terminal:

Tire hacia adelante el casquillo de inmovilización, y déngalo en esta posición mientras esté sacando el terminal.

ENROSCAR Y DEENROSCAR TORNILLOS

Coloque el terminal apropiado para el tornillo, acomódelo en los canales del cabezal del tornillo y apriételo. Ejerza el empuje longitudinal necesario sobre la máquina únicamente para detener el cabezal del tornillo.



ADVERTENCIA: El sobreapriete podrá ocasionar la ruptura del tornillo o averiar el terminal.

- El tiempo prolongado de enrosque sobreapretará el tornillo, y éste podrá romperse.
- El apriete con la máquina bajo ángulo hacia el tornillo podrá averiar el cabezal del tornillo; además, el momento rotatorio no se podrá transmitir completamente al tornillo.

IX - Mantenimiento



ADVERTENCIA: Antes de realizar cualquier acción sobre la herramienta eléctrica, coloque siempre el conmutador para cambiar el sentido de rotación (4) en posición media, por ejemplo, colocar y cargar la batería, cambiar el terminal, traslado, servicio o para guardar la herramienta eléctrica.

Revise con regularidad si los tornillos del cuerpo están bien apretados. Durante un trabajo continuo, los tornillos podrán aflojarse a causa de las vibraciones. Lubrique regularmente todas las piezas móviles.

LIMPIEZA

Para un trabajo seguro, mantenga siempre limpias la máquina y los orificios de ventilación.

Revise con regularidad que en la rejilla de ventilación, cerca del motor eléctrico o alrededor de los conmutadores, no se hayan infiltrado polvo o cuerpos ajenos. Utilice un cepillo suave para eliminar el polvo acumulado. Lleve gafas protectoras para proteger sus ojos durante la limpieza.

Si el cuerpo de la máquina necesita limpieza, límpielo con un paño suave y húmedo. Podrá utilizarse un suave detergente de limpieza.



ADVERTENCIA: No se podrán utilizar alcohol, gasolina u otros disolventes. Para limpiar las piezas de plástico, no utilice nunca detergentes corrosivos.



ADVERTENCIA: El agua no debe entrar en contacto con la máquina.

Instrucciones para limpiar el cargador de batería:

- Las partes externas, sucias y engrasadas del cargador de batería, se han de limpiar con un paño o un cepillo suave, no metálico. Con este propósito, no utilice agua ni disoluciones de limpieza.

¡IMPORTANTE! Para garantizar un trabajo seguro con la herramienta eléctrica y su fiabilidad, todas las acciones relativas a la reparación, el mantenimiento y la regulación se han de efectuar en centros de servicio autorizados de SPARKY, utilizando sólo piezas de recambio originales.

X - Garantía

El periodo de garantía de las herramientas SPARKY aparece indicado en la hoja de garantía.

Los daños debido a llevar ropa normal, a sobrecargas o manejo indebido se excluirán de la garantía.

Los daños debido al uso de materiales defectuosos, así como a defectos en la hechura serán subsanados libres de gastos por medio de sustitución o reparación.

Se reconocerán las quejas por herramientas SPARKY defectuosas si la máquina se devuelve al distribuidor o si se entrega al servicio autorizado de garantía sin desmontar, en su estado inicial.

Notas

Lea atentamente todo el manual del uso antes de utilizar este producto.

El fabricante se reserva el derecho a cambiar las especificaciones sin previo aviso.

Las especificaciones pueden ser distintas de país a país.

Conteúdo

I	- Introdução	44
II	- Dados técnicos	46
III	- Instruções gerais para a segurança de trabalho com instrumentos eléctricos	47
IV	- Regras adicionais de segurança de trabalho com aparafusadoras de impacto	48
V	- Regras adicionais de segurança de trabalho com o carregador	48
VI	- Regras adicionais para o trabalho com pilhas	49
VII	- Conhecimento sobre o instrumento eléctrico	A/50
VIII	- Instruções para o trabalho	50
IX	- Manutenção	51
X	- Garantia	52

DESEMBALAGEM

De acordo com as tecnologias de produção geralmente utilizadas, é pouco provável o novo instrumento eléctrico que você adquiriu ser ineficiente ou lhe faltar alguma peça. Mesmo assim, se você verificar que qualquer coisa não está bem, não trabalhe com o instrumento, enquanto a peça ineficiente não for substituída, ou a imperfeição não ficar eliminada. O não seguimento desta recomendação é capaz de provocar um acidente de trabalho grave.

ENSAMBLAGEM

As aparafusadoras de impacto GUR 15Li HD fornecem-se empacotadas e completamente embaladas.

I - Introdução

O novo instrumento eléctrico SPARKY que adquiriu vai ultrapassar as suas expectativas. Ele foi fabricado de acordo com os mais elevados padrões de qualidade da SPARKY, os quais vão de encontro com as exigências mais rigorosas do consumidor. Fácil de manutenção e seguro durante a utilização, sendo correctamente manipulado, este instrumento eléctrico servir-lhe-á fielmente durante muitos anos.

ATENÇÃO!



Leia atentamente toda a instrução para o uso, antes de começar a trabalhar com o seu novo instrumento eléctrico SPARKY. Preste especial atenção aos textos que começam com a palavra “**Atenção**”. O seu instrumento eléctrico SPARKY possui qualidades que hão de facilitar o seu trabalho. Ao ser fabricado este instrumento eléctrico, maior atenção foi prestada à segurança, às qualidades de exploração e à fiabilidade, as quais fazem dele um instrumento fácil de manutenção e de exploração.



Não deitar o instrumento eléctrico para o lixo comum!

Os resíduos de aparelhos eléctricos não se devem misturar com o lixo comum. Mande-os para reciclagem nos lugares destinados a isso. Ponha-se em contacto com as autoridades locais ou com um representante para consultar a forma de reciclagem.

PROTECÇÃO DO MEIO AMBIENTE



Visando a protecção do meio ambiente, o instrumento eléctrico, os seus acessórios e embalagem têm-de-ser submetidos a uma adequada reelaboração para serem novamente utilizadas as matérias primas contidas neles.

Para facilitar a reciclagem, as peças feitas de materiais sintéticos levam a respectiva denotação.

DESCRIÇÃO DOS SÍMBOLOS

Sobre a chapa com os dados do instrumento eléctrico estão denotados os símbolos especiais que fornecem importante informação sobre o artefacto ou recomendações para o seu uso.



Duplo isolamento para protecção adicional



Conformidade com as directrizes europeias aplicáveis



Conformidade com as exigências dos documentos normativos russos



Conformidade com as exigências dos documentos normativos ucranianos



Conheça a instrução de exploração

YYYY-Www

Período de fabrico, onde os símbolos variáveis são:

YYYY - ano de fabrico, ww – a respectiva semana corrente do calendário

GUR

APARAFUSADORA DE IMPACTO SEM FIO

II - Dados técnicos

Modelo	GUR 15Li HD
▪ Tensão	14.4 V
▪ Velocidade ao ralenti	0–2400 min ⁻¹
▪ Frequência do impacto	0–3200 min ⁻¹
▪ Torque máximo	145 Nm
▪ Slot para bocais	1/4" (6.35 mm) \odot
▪ Diâmetro máximo do parafuso:	
- Parafuso de máquina	M4–M8
- Parafuso de destinação geral	M5–M12
- Parafuso de alta resistência	M5–M10
▪ Regulação electrónica das revoluções, marcha à esquerda - à direita	Sim
▪ Travão eléctrico	Sim
▪ Iluminação LED do carregamento	Sim
▪ Peso (EPTA procedimento 01/2003)	
- com pilha 1.5 Ah	1.3 kg
- com pilha 2.6/3.0Ah	1.4 kg

INFORMAÇÃO SOBRE RUIDO E VIBRAÇÕES

(Os valores foram determinados de acordo com EN 60745.)

▪ Emissão de ruído	
A- nível calculado de pressão sonora L_{pA}	90 dB(A)
Ambiguidade K_{pA}	3 dB
A- nível calculado de potência sonora L_{WA}	101 dB(A)
Ambiguidade K_{WA}	3 dB



Utilize meios de protecção contra o ruído!

▪ Emissão de vibrações *	
Valor global das vibrações (soma vetorial pelos três eixos), determinado de acordo com EN 60745:	
Valor das vibrações emanadas $a_{h,D}$	15 m/s ²
Ambiguidade $K_{h,D}$	1.5 m/s ²
* As vibrações foram determinadas de acordo com m. 6.2.7 na EN 60745-1	

PILHA (Li-Ion):

▪ Tensão	14.4 V
▪ Capacidade	1.5 / 2.6 / 3.0 Ah
▪ Peso	0.3 / 0.5 / 0.5 kg

CARREGADOR

▪ Na entrada:	
Tensão / frequência	230V ~50Hz
Potência	60 VA
▪ Tensão de saída / corrente	14.4V / 2.6A
▪ Tempo de carga - pilhas 1.5 Ah	30 min
- pilhas 2.6/3.0Ah	60 min
▪ Peso	0.6 kg

O nível das vibrações, indicado nesta instrução, foi determinado com base no teste indicado por EN 60745 e pode ser utilizado para a comparação de instrumentos eléctricos. O nível das vibrações pode ser utilizado para a avaliação prévia do grau de impacto.

O nível das vibrações declarado refere-se à destinação principal do instrumento. Caso o instrumento eléctrico seja utilizado para outros fins, ou forem utilizados outros acessórios, ou o instrumento não for bem tratado, o nível das vibrações diferenciar-se-á do declarado. Em tais casos o nível do impacto pode crescer consideravelmente dentro do período laboral total.

Ao avaliar o nível de impacto das vibrações, é preciso considerar também o tempo em que o instrumento está desligado, ou está ligado, mas sem funcionar. Tal pode diminuir consideravelmente o nível do impacto dentro do período laboral total.

Mantenha o instrumento eléctrico e os acessórios em bom estado. Cuide as mãos quentes durante o trabalho – isto vai diminuir o efeito nocivo do trabalho com instrumentos de vibração elevada.

III - Indicações gerais de advertência para ferramentas eléctricas



ATENÇÃO! Devem ser lidas todas as indicações de advertência e todas as instruções. O desrespeito das advertências e instruções apresentadas abaixo pode causar choque eléctrico, incêndio e/ou graves lesões.

Guarde bem todas as advertências e instruções para futura referência.

O termo “Ferramenta eléctrica” utilizado a seguir nas indicações de advertência, refere-se a ferramentas eléctricas operadas com corrente de rede (com cabo de rede) e a ferramentas eléctricas operadas com bateria (sem cabo de rede).

1. SEGURANÇA DA ÁREA DE TRABALHO

- Mantenha a sua área de trabalho sempre limpa e bem iluminada. Desordem ou áreas de trabalho insuficientemente iluminadas podem levar a acidentes.
- Não trabalhar com a ferramenta eléctrica em áreas com risco de explosão, nas quais se encontrem líquidos, gases ou pós inflamáveis. Ferramentas eléctricas produzem faíscas, que podem inflamar pós ou vapores.
- Manter crianças e outras pessoas afastadas da ferramenta eléctrica durante a utilização. No caso de distração é possível que perca o controlo sobre o aparelho.

2. SEGURANÇA ELÉCTRICA

- A ficha de conexão da ferramenta eléctrica deve caber na tomada. A ficha não deve ser modificada de maneira alguma. Não utilizar uma ficha de adaptação junto com ferramentas eléctricas protegidas por ligação a terra. Fichas não modificadas e tomadas apropriadas reduzem o risco de um choque eléctrico.
- Evitar que o corpo possa entrar em contacto com superfícies ligadas a terra, como tubos, aquecimentos, fogões e frigoríficos. Há um risco elevado devido a choque eléctrico, se o corpo estiver ligado a terra.
- Manter o aparelho afastado de chuva ou humidade. A infiltração de água numa ferramenta eléctrica aumenta o risco de choque eléctrico.
- Não deverá utilizar o cabo para outras finalidades. Jamais utilizar o cabo para transportar a ferramenta eléctrica, para pendurá-la, nem para puxar a ficha da tomada. Manter o cabo afastado de calor, óleo, cantos afiados ou partes do aparelho em movimento. Cabos danificados ou emaranhados aumentam o risco de um choque eléctrico.
- Se trabalhar com uma ferramenta eléctrica ao ar livre, só deverá utilizar cabos de extensão apropriados para áreas exteriores. A utilização de um cabo de extensão apropriado para áreas exteriores

reduz o risco de um choque eléctrico.

- Se não for possível evitar o funcionamento da ferramenta eléctrica em áreas húmidas, deverá ser utilizado um disjuntor de corrente de avaria. A utilização de um disjuntor de corrente de avaria reduz o risco de um choque eléctrico.

3. SEGURANÇA DE PESSOAS

- Esteja atento, observe o que está a fazer e tenha prudência ao trabalhar com a ferramenta eléctrica. Não utilizar uma ferramenta eléctrica quando estiver fadigado ou sob a influência de drogas, álcool ou medicamentos. Um momento de descuido ao utilizar a ferramenta eléctrica, pode levar a lesões graves.
- Utilizar equipamento de protecção pessoal e sempre óculos de protecção. A utilização de equipamento de protecção pessoal, como máscara de protecção contra pó, sapatos de segurança antiderapantes, capacete de segurança ou protecção auricular, de acordo com o tipo e aplicação da ferramenta eléctrica, reduz o risco de lesões.
- Evitar uma colocação em funcionamento involuntária. Assegure-se de que a ferramenta eléctrica esteja desligada, antes de conectá-la a alimentação de rede e/ou ao acumulador, antes de levantá-la ou de transportá-la. Se tiver o dedo no interruptor ao transportar a ferramenta eléctrica ou se o aparelho for conectado a alimentação de rede enquanto estiver ligado, poderão ocorrer acidentes.
- Remover ferramentas de ajuste ou chaves de boca antes de ligar a ferramenta eléctrica. Uma ferramenta ou chave que se encontre numa parte do aparelho em movimento pode levar a lesões.
- Evite uma posição anormal. Mantenha uma posição firme e mantenha sempre o equilíbrio. Desta forma é mais fácil controlar a ferramenta eléctrica em situações inesperadas.
- Usar roupa apropriada. Não usar roupa larga nem jóias. Mantenha os cabelos, roupas e luvas afastadas de partes em movimento. Roupas frouxas, cabelos longos ou jóias podem ser agarrados por peças em movimento.
- Se for possível montar dispositivos de aspiração ou de recolha, assegure-se de que estejam conectados e utilizados correctamente. A utilização de uma aspiração de pó pode reduzir o perigo devido ao pó.

4. UTILIZAÇÃO E MANUSEIO CUIDADOSO DE FERRAMENTAS ELÉCTRICAS

- Não sobrecarregue o aparelho. Utilize a ferramenta eléctrica apropriada para o seu trabalho. É melhor e mais seguro trabalhar com a ferramenta eléctrica apropriada na área de potência indicada.
- Não utilizar uma ferramenta eléctrica com um interruptor defeituoso. Uma ferramenta eléctrica que não pode mais ser ligada nem desligada, é perigosa e deve ser reparada.
- Puxar a ficha da tomada e/ou remover o acumulador antes de executar ajustes no aparelho, de substituir acessórios ou de guardar o aparelho. Esta medida de segurança evita o arranque involun-

tário da ferramenta eléctrica.

- d) Guardar ferramentas eléctricas não utilizadas fora do alcance de crianças. Não permita que pessoas que não estejam familiarizadas com o aparelho ou que não tenham lido estas instruções, utilizem o aparelho. *Ferramentas eléctricas são perigosas se forem utilizadas por pessoas inespertas.*
- e) Tratar a ferramenta eléctrica com cuidado. Controlar se as partes móveis do aparelho funcionam perfeitamente e não emperram, e se há peças partidas ou danificadas que possam prejudicar o funcionamento da ferramenta eléctrica. Permitir que peças danificadas sejam reparadas antes da utilização. *Muitos acidentes têm como causa, a manutenção insuficiente de ferramentas eléctricas.*
- f) Manter as ferramentas de corte afiadas e limpas. *Ferramentas de corte cuidadosamente tratadas e com cantos de corte afiados emperram com menos frequência e podem ser conduzidas com maior facilidade.*
- g) Utilizar a ferramenta eléctrica, acessórios, ferramentas de aplicação, etc. conforme estas instruções. Considerar as condições de trabalho e a tarefa a ser executada. *A utilização de ferramentas eléctricas para outras tarefas a não ser as aplicações previstas, pode levar a situações perigosas.*

5. SERVIÇO

- a) Só permita que o seu aparelho seja reparado por pessoal especializado e qualificado e só com peças de reposição originais. *Desta forma é assegurada o funcionamento seguro do aparelho.*

IV - Regras adicionais de segurança do trabalho com aparafusadoras de impacto

- Utilize sempre antifones ao trabalhar com aparafusadora de impacto. *O ruído excessivo durante o trabalho pode causar deficiência auditiva.*
- Pegue sempre nas superfícies isoladas do instrumento eléctrico quando executa uma operação na qual é possível o parafuso chegar a ter contacto com instalação eléctrica oculta. O contacto com cabo sob tensão vai colocar sob tensão as partes de metal do instrumento e vai provocar choque eléctrico no operador.
- É preciso estar consciente, que este instrumento eléctrico está sempre em estado operacional, porque não precisa de estar ligado na rede. Ponha sempre o interruptor na posição de DESLIGADO, quando coloca ou retira a pilha.

V - Regras adicionais para o trabalho com o carregador das pilhas

- Antes de utilizar o carregador, leia todas as instruções e advertências referentes a ele e ao jogo das pilhas, bem como as instruções para o uso das pilhas.
- Carregue as pilhas só em lugar sob tecto, pois o carregador está construído para trabalhar só em espaços fechados.



ATENÇÃO: Caso a pilha esteja rachada ou tenha qualquer defeito, não a coloque no carregador. Existe o perigo de choque eléctrico.



ATENÇÃO: Não deixe cair água no carregador. Existe o perigo de choque eléctrico.

- O carregador está previsto para trabalhar única e exclusivamente com a pilha SPARKY, que faz parte do jogo suministrado. O uso de qualquer outra pilha pode causar perigo de incêndio ou de choque eléctrico.
- O carregador e a pilha que faz parte do jogo suministrado estão previstos para trabalhar em conjunto. Não carregue a pilha com um carregador diferente.
- Não coloque objectos sobre o carregador, pois isto pode causar nele sobreaquecimento. Não deixar o carregador perto de fontes de calor.
- Não puxe a corda do carregador para desligá-lo da rede.
- Convença-se de que a corda do carregador está posicionada de maneira que se evite que seja pisada, que as pessoas tropecem nela ou se encontre sob carga mecânica.
- Não utilize extensores, a não ser que isto seja de suma necessidade. O uso de extensor inadequado pode causar perigo de incêndio ou de choque eléctrico.
- Não utilize o carregador se estiver submetido a um golpe forte, se tiver caído no chão ou tiver sofrido qualquer outra avaria. Não trabalhe com o carregador, se a sua corda ou plug estiverem avariados – estes têm de ser imediatamente substituídos. Entregue o carregador na oficina de serviço autorizada para exame ou reparação.
- Caso o cabo alimentador seja avariado, a substituição tem de ser feita pelo fabricante ou pelo seu técnico na oficina de assistência, para serem evitados os riscos da substituição.
- Não desmontar o carregador. Em caso de reparação dirija-se ao serviço autorizado. A segunda ensablagem, se for incorrecta, pode causar perigo de incêndio ou de choque eléctrico.
- Para diminuir o risco de choque eléctrico, desligue o carregador da rede antes de limpá-lo. O retirar a pilha por si só não diminui este perigo.
- Nunca tentar de ligar sequencialmente dois carrega-

dores.

- Não guardar nem utilizar o carregador e as pilhas em lugares onde a temperatura atinge ou ultrapassa +40°C, por ex., galpões, caravanas ou construções metálicas durante o Verão.
- Este carregador é destinado a ser alimentado de uma rede standard, com tensão alimentadora (230–240V). Não ligue o carregador em redes alimentadoras com outra tensão..
- Se deseja carregar outra pilha, desligue o carregador da rede e deixe-o arrefecer pelo menos 15 minutos. Depois de passar esse tempo, pode carregar a pilha seguinte.
- Em determinadas condições, estando o carregador ligado à rede, um corpo alheio pode causar um curto circuito entre os contactos abertos do carregador. Os materiais condutores, como por exemplo, lâ de aço, folha de alumínio ou qualquer outro material que contém partículas de metal têm de se manter longe das cavidades do carregador. Sempre quando no carregador não há pilha, desligue-o da rede alimentadora.
- Não congelar nem meter o carregador em água ou noutro líquido.

VI - Regras adicionais para o trabalho com pilhas

- A pilha para este instrumento eléctrico suministra-se sem estar completamente carregada. Antes de começar o trabalho carregue-a completamente.



ATENÇÃO: Se a pilha está rachada ou tem qualquer outro defeito, não a meta no carregador. Existe o perigo de choque eléctrico.

- Durabilidade máxima e o máximo das qualidades de exploração podem ser garantidas se a pilha for carregada a uma temperatura do ambiente de 18°C a 24°C. Não carregue a pilha a uma temperatura do ambiente inferior aos +4°C nem superior aos +40°C. Isto tem grande importância e constitui uma premissa para evitar danos sérios da pilha.
- Durante o carregamento, a pilha e o carregador podem ficar quentes ao toque. Isto é normal e não indica problema algum.
- Para evitar o sobreaquecimento, não carregue pilhas à luz directa do sol em tempo de calor nem perto de fontes de calor.
- Não carregar numa cabine ou num tanque. Durante o carregamento a pilha tem de se encontrar num local bem ventilado.
- Caso uma pilha de armazenamento seja defeituosa, dela pode escoar o electrólito que vai molhar as peças vizinhas. Revise as peças vizinhas, limpe-os e, caso seja necessário, substitua-as.
- Caso a pilha não ficar normalmente carregada:
 - (1) Verifique a presença de tensão no contacto com a rede, utilizando uma lâmpada ou testador de tensão.

(2) Leve a pilha com o carregador num lugar onde a temperatura do ambiente seja por volta de 18°C–24°C.

(3) Se, mesmo assim, houver problema com o carregamento, leve ou mande o instrumento eléctrico junto com a pilha e o carregador para a oficina de serviço local.

- A pilha tem de ser carregada quando deixar de produzir suficiente potência para as operações que anteriormente eram realizadas com facilidade. Neste caso **INTERROMPA O TRABALHO**. Comece o procedimento de carregamento.
- Não queimar pilhas, mesmo as que estejam gravemente avariadas e não podem ser carregadas mais. As pilhas podem explodir no fogo.
- Para facilitar o arrefecimento da pilha depois de uso em tempo quente evite utilizar o carregador ou a pilha debaixo de galpão de metal ou em caravana sem isolamento térmico.



ATENÇÃO: Nunca tente abrir a pilha, seja qual for a causa. Caso o corpo de plástico fique roto ou rachado, entregue a pilha para reciclagem.

ANTES DE TENTAR CARRGAR A PILHA DO SEU INSTRUMENTO ELÉCTRICO, LEIA TODAS AS INSTRUÇÕES REFERENTES AO CARRGADOR

- Utilize sempre uma pilha apropriada SPARKY (a que lhe foi suministrada com o jogo do instrumento eléctrico ou outra de sobreselente, igual àquela). Nunca utilize pilha diferente. Tal vai avariar o instrumento e pode provocar uma situação de perigo.
- Carregue as pilhas só com carregadores SPARKY.
- Não deite as pilhas ao lixo comum. As pilhas têm de se juntar a parte e entregar-se para reciclagem, de acordo com as exigências de protecção do meio ambiente.

COLOCAÇÃO E RETIRADA DA PILHA

Para retirar a pilha, aperte o botão de soltar a pilha (10) e puxe para fora do corpo do instrumento.



ATENÇÃO: Ponha sempre o interruptor para mudança do sentido da rotação (6) na posição intermediária antes de realizar quaisquer actividades com o instrumento eléctrico, por exemplo, colocar ou carregar a pilha, substituir bocal, transporter, prestar assistência ou guardar o instrumento..

Para colocar a pilha: Meta a pilha na cavidade na base do instrumento eléctrico debaixo do botão (10) até ouvir o característico som de clique.

CARRGAMENTO DE PILHA

Ligue o plug do carregador (12) ao contacto. O indicador do carregador (11) vai piscar consecutivamente em luz verde, vermelha e amarela por 1 segundo, depois do qual vai ficar em regime de espera.

Meta a pilha (10) no slot do carregador, tomando em consideração a posição dos polos.

As novas pilhas trabalham eficientemente depois de 5 ciclos de carregamento/descarregamento. As pilhas que ficaram sem usar durante muito tempo têm de ser carregadas e descarregadas 2-3 vezes até começarem a trabalhar bem..

Quando o tempo de uso da pilha diminuir consideravelmente, apesar de ter sido carregada completamente, provavelmente a durabilidade da pilha se tenha esgotado. A pilha tem de ser substituída por outra.



ATENÇÃO: A pilha fica completamente carregada por volta de 1 hora. Depois de passar esse tempo, retire a pilha do carregador.

1) Indicação de carregamento:

Luz verde intermitente: antes de colocar a pilha;

Luz vermelha: durante o carregamento da pilha;

Luz verde: fim do carregamento;

Luz vermelha intermitente: regime de espera (a pilha está sobreaquecida);

Luz amarela intermitente: o carregamento é impossível.

2) Se tentar de carregar uma pilha sobreaquecida imediatamente depois do uso o do carregamento, o indicador acende a luz vermelha intermitente (regime de espera). Automaticamente fica ligado o ventilador de arrefecimento do carregador para diminuir a temperatura da pilha. Quando a pilha ficar arrefecida apaga-se a luz vermelha intermitente e o indicador fica com a luz vermelha constante, iniciando o carregamento.

3) O carregador distingue o nível de carregamento da pilha e quando ela ficar quase carregada passa para o regime de completamento da carga e manutenção da pilha em estado carregado.

CONSELHOS PARA ATINGIR MAIOR DURABILIDADE DAS PILHAS

- Não repetir o carregamento da pilha depois dum breve período de trabalho. Isto pode levar à redução da durabilidade e da capacidade laboral da pilha.
- Quando não utiliza a pilha, mantenha-a longe de clips, moedas, chaves, pregos, parafusos e outros pequenos objectos de metal, os quais podem dar em curto os seus bocais. A ligação em curto dos bocais da pilha pode causar um curto circuito e provocar incêndio ou explosão.
- Sempre desligue o carregador da rede quando o não utilize e guarde-o num lugar seco e seguro.
- Não carregue as pilhas, nem guarde o carregador em lugares onde a temperatura for inferior a 0°C ou ultrapassar +40°C

INDICADOR DO ESTADO DA PILHA

O estado da pilha durante o trabalho pode ser controlado mediante o LED (7). Para activar o indicador, aperte o botão do indicador (8). (Fig. 1)

1. A pilha está carregada aos 70 - 100%
2. A pilha está carregada aos 30 - 69%

3. A pilha está carregada abaixo dos 30%

4. A pilha está completamente esgotada.

VII - Conhecimento do instrumento eléctrico

Antes de começar a trabalhar com o instrumento eléctrico, conheça todas as suas especificidades operacionais e as condições de segurança.

Utilize o instrumento só para o que está destinado. Todo uso diferente fica terminantemente proibido.

1. Bucha de travamento.
2. Plug de bocal.
3. Iluminação LED.
4. Comutador das faixas da velocidade.
5. Interruptor.
6. Botão da iluminação LED.
7. Indicador LED da pilha.
8. Botão do indicador LED da pilha.
9. Botão para soltar a pilha
10. Pilha de armazenamento
11. Indicador LED do carregador.
12. Carregador

VIII - Instruções para o trabalho

ILUMINAÇÃO LED NO POSTO DE TRABALHO

O instrumento eléctrico está provido de iluminação LED (3) para aumentar o grau de iluminação do posto de trabalho em zonas pouco iluminadas. Para ligar ou desligar a iluminação adicional, aperte o botão (6). A iluminação LED da zona laboral fica desligada automaticamente depois de 10 minutos de trabalho.

ESCOLHA DO SENTIDO DA GIRAÇÃO

Posição extrema direita da alavanca (4) (vista por tras) significa giração no sentido anti-horário, ao passo que a da extrema esquerda significa giração no sentido horário. Ao ser apertado o interruptor (5) a alavanca (4) não pode accionar-se. (Fig. 2)



ATENÇÃO: A mudança do sentido da giração faz-se só quando o fuso no estiver girando.

A perfuração e o aparafusamento fazem-se mediante o comutador colocado na posição extrema esquerda. Para desaparafusar o comutador tem de ficar na posição extrema direita.

INICIAR - PARAR

Iniciar: o interruptor (5) aperta-se.

Parar: o interruptor (5) afrouxa-se.

O instrumento eléctrico está provido de travão. O fuso deixa de girar imediatamente depois de ficar completamente afrouxada a alavanca do interruptor.

CONTROLO ELECTRÓNICO INFINITAMENTE VARIÁVEL DAS REVOLUÇÕES

O apertar leve do interruptor (5) provoca accionamento do instrumento eléctrico em baixas revoluções que aumentam paulatinamente até ao máximo se se aumentar a pressão sobre o interruptor até chegar à posição extrema.

TRABALHO COM O INSTRUMENTO ELÉCTRICO

A acção de impacto começa quando a carga for maior do nível que foi marcado. O apertar do interruptor ao ralenti vai provocar apenas mudança das revoluções.

O torque de aperto depende da duração da acção de impacto. Normalmente, o torque de aperto máximo consegue-se aos 3 - 10 segundos de trabalho em regime de impacto. Depois desse período o aumento do torque de aperto é insignificante. O trabalho prolongado em regime de impacto pode provocar avaria ou queimar o motor eléctrico.

O torque de aperto depende do comprimento, a classe e o diâmetro do parafuso, da dureza do material (madeira, metal, etc) em que se está a colocar o parafuso e do tipo do calço utilizado. Use o instrumento depois de ter bem calculado o tempo apropriado para a acção de impacto, realizando um aperto experimental e determinar o valor do torque com uma chave dinamométrica.



ATENÇÃO: Instrumento eléctrico com interruptor defeituoso é perigoso e tem de ser reparado antes do uso.

COLOCAÇÃO E RETIRADA DE BOCAL (FIG. 3)



ATENÇÃO: Retire a pilha ou ponha o comutador para mudança do sentido de giração (6) na posição intermediária (néutra).

Colocação do bocal:

1. Puxe para frente a bucha de travamento (1).
2. Coloque o bocal no plug sextavado (2).
3. Afrouxe a bucha de travamento e ela vai voltar para a posição inicial no qual pega no bocal.



ATENÇÃO: Se a bucha de travamento não voltar para a sua posição inicial, o bocal não está correctamente colocado.

Retirada do bocal:

Puxe para frente a bucha de travamento e mantenha-a nesta posição até retirar o bocal.

APARAFUSAMENTO/ DESAPARAFUSAMENTO DE PARAFUSOS

Escolha o bocal apropriado para o parafuso, consertando o bocal nos slots da cabeça do parafuso e aperte-o. Aplique uma pressão longitudinal sobre a máquina apenas na medida em que seja necessário reter a cabeça do parafuso.



ATENÇÃO: O aperto exagerado pode causar ruptura do parafuso ou defeito no bocal.

- O tempo prolongado do aparafusamento vai causar aperto exagerado do parafuso e a ruptura deste.
- Se se mantiver o instrumento sob ângulo para com o parafuso apertado, pode-se causar dano à cabeça do parafuso, ou bem, o torque não se vai transmitir à íntegra ao parafuso.

IX - Manutenção



ATENÇÃO: Coloque o comutador de mudança do sentido da giração (4) na posição intermediária antes de começar a realizar quaisquer actividades com o instrumento eléctrico, por ex., colocação e carregamento de pilha, mudança de bocal, assistência ou manutenção do instrumento eléctrico.

Verifique periodicamente se os parafusos do corpo estão bem ajustados. Durante o uso prolongado os parafusos podem ficar afrouxados pelas vibrações. Lubrifique regularmente todas as partes móveis.

LIMPEZA

Visando a segurança de trabalho, mantenha sempre limpa a máquina e as aberturas de ventilação. Verifique regularmente se na grade de ventilação perto do motor eléctrico ou perto dos comutadores não tenham penetrado pó ou corpos alheios. Utilize uma escova macia para limpar o pó acumulado. Para preservar os olhos, utilize durante a limpeza óculos protectores. Se o corpo do instrumento precisa de limpeza, limpe-o com um pano macio levemente úmido. Pode ser utilizado um fraco detergente.



ATENÇÃO: Não se admite o uso de álcool, gasolina ou outro solvente. Não utilize nunca substâncias corrosivas para limpar as peças de plástico.



ATENÇÃO: Não se admite a penetração de água em contacto com o instrumento.

Instruções para a limpeza do carregador

- As partes externas sujas ou oleadas do carregador limpam-se com pano ou com uma escova macia não metálica. Não utilize para este fim água nem soluções detergentes.

IMPORTANTE! Para garantir a segurança do trabalho com o instrumento eléctrico ou a sua confiabilidade, todas as actividades de reparação, manutenção e regulamento têm de se realizar nas oficinas de serviço da SPARKY, utilizando só peças de sobresselente originais.

X - Garantia

O prazo de garantia dos instrumentos eléctricos SPARKY está indicado no cartão de garantia. Problemas surgidos em resultado do desgaste natural, sobrecarga ou utilização incorrecta, ficam excluídos dos deveres da garantia. Os problemas surgidos devido ao uso de materiais de baixa qualidade e/ou erros de fabricação, eliminam-se sem pagamento adicional mediante substituição ou reparação.

Reclamação por um instrumento eléctrico SPARKY defeituoso reconhece-se quando o instrumento for devolvido ao distribuidor ou for levado a uma oficina autorizada de assistência em prazo de garantia no seu estado inicial (montado).

Observações

Leia atentamente toda a instrução para o uso, antes de começar a trabalhar com este aparelho.

O fabricante reserva-se o direito de introduzir melhoras e modificações nos seus aparelhos, bem como modificar as especificações sem aviso.

As especificações podem variar de país para país.

Treść

I - Wstęp	53
II - Dane techniczne	55
III - Ogólne wskazówki bezpieczeństwa dla elektronarzędzi	56
IV - Dodatkowe wskazówki bezpieczeństwa do pracy z wkrętarkami akumulatorowymi	57
V - Dodatkowe wskazówki do pracy z ładowarką	57
VI - Dodatkowe wskazówki do pracy z akumulatorami	58
VII - Opis narzędzia	A/59
VIII - Użytkowanie	59
IX - Konserwacja	60
X - Gwarancja	60

ROZPAKOWANIE

Ze względu na nowoczesne metody produkcji masowej, istnieje niewielkie prawdopodobieństwo, iż zakupione przez Państwa narzędzie jest wadliwe, bądź niekompletne. W przypadku stwierdzenia jakichkolwiek nieprawidłowości, nie uruchamiać narzędzia do chwili wymiany części lub usunięcia usterki. Niezastosowanie się do tego zalecenia może skutkować poważnym uszkodzeniem ciała.

MONTAŻ

Wkrętarki akumulatorowe GUR 15Li HD są pakowane i dostarczane kompletnie zmontowane.

I - Wstęp

Gratulujemy wyboru urządzenia SPARKY, zdolnego spełnić oczekiwania najbardziej wymagającego użytkownika. Urządzenie zostało wyprodukowane zgodnie z rygorystycznymi standardami jakości SPARKY, aby zapewnić najwyższą jakość funkcjonowania. To łatwe i bezpieczne w użytkowaniu urządzenie, odpowiednio stosowane i konserwowane, zapewni Państwu długie lata niezawodnej pracy.

UWAGA!



Prosimy o dokładne zapoznanie się z niniejszą instrukcją obsługi przed użyciem urządzenia SPARKY, zwracając szczególną uwagę na ostrzeżenia i uwagi. Dzięki swoim cechom urządzenie SPARKY zapewnia szybką i łatwą pracę. Bezpieczeństwo, niezawodność i wydajność były priorytetami przy konstruowaniu tego urządzenia, by zapewnić łatwość obsługi oraz utrzymania.



Nie wyrzucać urządzeń elektrycznych razem z domowymi śmieciami!

Zużyte urządzenia elektryczne nie mogą być wyrzucane wraz z ze śmieciami z gospodarstwa domowego. Tam gdzie to możliwe, należy oddać zużyte urządzenie do punktu recyklingu. Należy skontaktować się z władzami lokalnymi lub sprzedawcą w celu uzyskania informacji odnośnie recyklingu.



OCHRONA ŚRODOWISKA

Urządzenie, akcesoria oraz opakowanie powinny zostać odpowiednio posortowane przez recyklingiem. Części plastikowe są oznaczone odnośnie odpowiedniej kategorii odzyskiwania surowca.

OPIS SYMBOLI

Tabliczka znamionowa na urządzeniu może zawierać symbole graficzne. Przedstawiają one ważne informacje o produkcji lub jego obsłudze.



Podwójna izolacja zapewnia dodatkową ochronę



Zgodny z odpowiednimi dyrektywami europejskimi



Zgodność z wymogami rosyjskich dokumentów normatywnych



Zgodność z wymogami ukraińskich dokumentów normatywnych



Zapoznać się z instrukcją obsługi

YYYY-Www

Okres produkcji, w którym zmiennymi symbolami są:
YYYY - roku produkcji, ww – tydzień kalendarzowy

GUR

AKUMULATOROWA WKREŹTARKA UDAROWA

II - Dane techniczne

Model	GUR 15 Li
▪ Silnik elektryczny	14.4 V
▪ Prędkość na biegu jałowym	0–2400 min ⁻¹
▪ Frekwencja udaru	0–3200 min ⁻¹
▪ Maksymalny moment obrotowy	145 Nm
▪ Uchwyt bitów	1/4" (6.35 mm) ○
▪ Maksymalna średnica	
- śrób maszynowych	M4–M8
- śrób standardowych	M5–M12
- śruby o dużej wytrzymałości	M5–M10
▪ Elektroniczny regulator obrotów bieg prawy – lewy	Tak
▪ Hamulec silnika	Tak
▪ Dioda świetlna ładowania	Tak
▪ Waga (procedura EPTA 01/2003)	
- z baterią 1.5Ah	1.3 kg
- z baterią 2.6/3.0Ah	1.4 kg

DANE DOTYCZĄCE HAŁASU I WIBRACJI (wartości ustalone zgodnie z EN 60745.)

▪ Wartości emisji hałasu:	
Poziom ciśnienia akustycznego A L _{PA}	90 dB(A)
Niepewność K _{PA}	3 dB
Poziom mocy akustycznej A L _{WA}	101 dB(A)
Niepewność K _{WA}	3 dB



Pracować w słuchawkach!

▪ Wartości emisji wibracji *	
Suma wartości wibracji (suma wektorów trzech kierunków) ustalone zgodnie z EN 60745:	
Poziom wibracji podczas wiercenia udarowego a _{h,D}	15 m/s ²
Niepewność K _{h,D}	1.5 m/s ²
* Wartości ustalono zgodnie z 6.2.7 EN 60745-1.	

BATERIA (Li-ion)

▪ Napięcie	14.4 V
▪ Pojemność	1.5 / 2.6 / 3.0 Ah
▪ Waga	0.3 / 0.5 / 0.5 kg

Ładowarka

▪ Wejście:	
Napięcie/frekwencja	230V ~50Hz
Pobór mocy	60 VA
▪ Napięcie wyjściowe / prąd	14.4V / 2.6A
▪ Czas ładowania - Bateria 1.5 Ah	30 min
- Bateria 2.6/3.0 A	60 min
▪ Waga	0.6 kg

Podany w niniejszej instrukcji poziom drgań został zmierzony zgodnie z określoną przez normę EN 60745 procedurą i może być używany do porównywania urządzeń. Może być stosowany do wstępnego określenia ekspozycji.

Deklarowany poziom emisji drgań odnosi się do głównego zastosowania urządzenia. Jeżeli urządzenie zostanie przeznaczone do innych zastosowań, z innym osprzętem lub nie będzie należało do konserwowanych, poziom emisji wibracji może się różnić. Może to znacznie zwiększyć poziom ekspozycji w łącznym czasie pracy.

Aby dokładnie określić poziom ekspozycji na drgania, należy także brać pod uwagę okresy gdy urządzenie jest wyłączone, lub gdy nawet jest włączone, ale nie wykorzystywane do pracy. Może to znacznie obniżyć poziom ekspozycji na drgania w łącznym czasie pracy.

Chronić urządzenie oraz osprzęt oraz dbać o zapewnienie ciepła dłoniom podczas pracy w celu obniżenia szkodliwego wpływu drgań.

III - Instrukcje bezpieczeństwa przy pracy elektronarzędzami



Uwaga! Przeczytać wszystkie instrukcje bezpieczeństwa. Nie przestrzeganie instrukcji i ostrzeżeń może spowodować porażenie prądem, pożar i/lub poważne obrażenia.

Zachować wszystkie instrukcje i ostrzeżenia.

Termin: „urządzenie” we wszystkich poniższych informacjach odnosi się do urządzeń zasilanych z sieci (przewodowych) oraz urządzeń akumulatorowych (bezprowodowych).

1. BEZPIECZEŃSTWO MIEJSCA PRACY

- Miejsce pracy musi być zawsze dobrze oświetlone i czyste. Niedoświetlenie oraz nieład mogą być przyczyną wypadków.
- Nie należy używać urządzenia w obecności palnych płynów, gazów i pyłów. Podczas pracy urządzenia powstają iskry, które mogą zapalić pyły lub opary.
- Chronić przed dziećmi i osobami postronnymi. Brak skupienia może spowodować utratę kontroli nad urządzeniem.

2. BEZPIECZEŃSTWO ELEKTRYCZNE

- Wtyczka urządzenia musi pasować do gniazda zasilającego. Nie wolno modyfikować wtyczki w jakikolwiek sposób. Nie stosować żadnych adapterów w przypadku elektronarzędzi wymagających uziemienia. Nie modyfikowane wtyczki oraz gniazda zasilające redukują ryzyko porażenia prądem.
- Unikać kontaktu z uziemionymi przedmiotami takimi jak, rury, grzejniki, piece i lodówki. Ryzyko porażenia prądem wzrasta gdy ciało użytkownika zostanie uziemione poprzez kontakt z np. ww. przedmiotami.
- Nie narażać urządzenia na kontakt z wodą – w takim wypadku wzrasta zagrożenie porażenia prądem.
- Nie przenosić, nie wyłączać ani nie ciągnąć urządzenia trzymając za przewód. Chronić przewód przed źródłem ciepła, olejami, przedmiotami o ostrych brzegach lub ruchomych częściach. Uszkodzony lub spleciony przewód może zwiększyć ryzyko porażenia prądem.
- Podczas pracy na zewnątrz należy zawsze stosować odpowiedni przewód przedłużający. Stosowanie przewodu przeznaczanego do pracy na zewnątrz zmniejsza ryzyko porażenia prądem.
- Jeśli praca w wilgotnym środowisku jest niemożliwa, stosować zasilanie zabezpieczone wyłącznikiem różnicowo-prądowy. Stosowanie wyłącznika różnicowo-prądowego zmniejsza ryzyko porażenia prądem.

3. BEZPIECZEŃSTWO OSOBISTE

- Zawsze należy pracować w należyłym skupieniu i kierować się rozsądkiem. Nie używać urządzenia pozostając pod wpływem leków, alkoholu lub narkotyków, w trakcie leczenia lub będąc zmęczonym. Chwila nieuwagi podczas pracy urządzeniem może być przyczyną poważnych uszkodzeń ciała.
- Stosować wyposażenie ochronne. Zawsze używać ochrony oczu. Wyposażenie takie jak maska p.pyłowa, buty na podeszwie antypoślizgowej, kask, ochronniki słuchu, redukuje zagrożenie uszkodzenia ciała.
- Unikać przypadkowego włączenia urządzenia. Upewnić się, że włącznik znajduje się w położeniu; „wyłączony” przed podłączeniem urządzenia do źródła zasilania. Przenoszenie urządzenia trzymając za włącznik lub podłączając je do zasilania z włącznikiem w pozycji: „włączone” może być przyczyną wypadków.
- Przed włączeniem urządzenia upewnić się, że nie jest dołączony żaden osprzęt regulujący (np. klucz). Pozostawienie klucza w rotującej części urządzenia może spowodować obrażenia.
- Nie przeceniać własnych możliwości. Zawsze dbać o odpowiednie oparcie dla nóg oraz balans. Zapewni to lepszą kontrolę w nieoczekiwanych sytuacjach.
- Stosować odpowiednie ubranie. Nie nosić luźnych ubrań ani biżuterii. Nie zbliżać włosów, ubrania ani rękawic roboczych do ruchomych części urządzenia. Luźne ubranie, biżuteria lub długie włosy mogą utknąć w ruchomych częściach urządzenia.
- Jeśli urządzenie jest wyposażone w adapter odprowadzania pyłów, należy sprawdzić czy jest odpowiednio podłączony i używany. Stosowanie systemu odprowadzania pyłów może obniżyć niebezpieczeństwa związane z pyleniem.

4. UŻYWANIE I KONSERWACJA URZĄDZENIA

- Nie przeciążać urządzenia. Stosować odpowiednie urządzenie do każdej pracy. Należyćie dobrze urządzenie wykona pracę lepiej i bezpieczniej w trybie do którego zostało zaprojektowane
- Nie używać urządzenia jeśli włącznik nie działa. Każde urządzenie z uszkodzonym włącznikiem jest niebezpieczne i musi zostać naprawione.
- Zawsze należy odłączyć urządzenie od zasilania i/lub wyjąć baterię przed zmianą ustawień, wymianą akcesoriów lub odłożeniem po pracy. Takie działanie zmniejsza ryzyko przypadkowego włączenia urządzenia.
- Nie używane urządzenie należy chronić przed dziećmi oraz niepowołanymi osobami nie znającymi tego urządzenia lub niniejszej instrukcji. Elektronarzędzia są niebezpieczne w rękach nie przeszkolonych osób.
- Konserwować elektronarzędzia. Sprawdzać połączenia części ruchomych, ewentualne uszkodzenia oraz inne czynniki mogące mieć wpływ na działanie urządzenia. W przypadku stwierdzenia

uszkodzenia należy naprawić urządzenie przed dalszym użytkowaniem. Wiele wypadków spowodowanych jest nienależytą konserwacją urządzenia.

- f) Narzędzia tnące zawsze muszą być ostre. Odpowiednio konserwowane narzędzia tnące z ostrymi krawędziami rzadziej się zacinają w obrabianym materiale i są łatwiejsze w obsłudze.
- g) Niniejsze urządzenie oraz osprzęt do niego muszą być używane zgodnie z niniejszą instrukcją obsługi oraz w zakresie przewidzianym dla danego typu urządzenia. Zawsze należy brać pod uwagę rodzaj pracy do wykonania oraz warunki panujące w miejscu pracy. Użycie elektronarzędzi do celów innych niż opisane w niniejszej instrukcji obsługi może spowodować niebezpieczne sytuacje.

5. SERWIS

- a) Niniejsze urządzenie należy serwisować wyłącznie w autoryzowanych serwisach SPARKY z wykorzystaniem oryginalnych części zamiennych. Takie postępowanie zapewni należyte bezpieczeństwo.

IV - Dodatkowe wskazówki bezpieczeństwa do pracy z wkrętarkami akumulatorowymi

- Należy zwrócić uwagę, że urządzenie z zainstalowaną i naładowaną baterią jest gotowe do pracy, ponieważ pracuje niezależnie od sieci elektrycznej. Podczas instalowania lub wyjmowania baterii wyłącznik powinien znajdować się zawsze na pozycji Wyłączony.
- Do pracy z wiertarkami udarowymi należy zakładać słuchawki ochronne. Intensywny hałas w miejscu pracy może prowadzić do uszkodzeń słuchu.
- Zawsze należy używać dodatkowego uchwytu, jeżeli został dostarczony z urządzeniem. Utrata kontroli może prowadzić do wypadków.
- Podczas wykonywania pracy, urządzenie powinno znajdować się na powierzchniach izolowanych, jeżeli podczas pracy urządzenie może natrafić na ukryte przewody elektryczne. Kontakt z przewodem elektrycznym może prowadzić do porażenia prądem.

V - Dodatkowe wskazówki do pracy z ładowarką

- Przed zastosowaniem ładowarki należy przeczytać wszystkie wskazówki i ostrzeżenia, które znajdują się na ładowarce i zestawie baterii, jak również zasady używania baterii.
- Baterie należy ładować tylko w pomieszczeniach zamkniętych i dobrze przewietrzonych.



UWAGA: Uszkodzonych baterii nie należy wkładać do ładowarki. Grozi porażenie prądem.



UWAGA: Należy chronić ładowarkę przed wodą. Grozi porażenie prądem.

- Ładowarka jest przeznaczona do baterii SPARKY, zawartej w dostawie. Używanie innych baterii może spowodować pożar lub porażenie prądem.
- Ładowarka i bateria zawarta w dostawie są do siebie dopasowane. Nie należy ładować baterii w innej ładowarce.
- Nie należy kłaść na ładowarce żadnych przedmiotów, ponieważ może to prowadzić do przegrzania. Ładowarka nie powinna być przechowywana w pobliżu źródeł ciepła.
- W przypadku odłączania ładowarki od sieci nie wyciągać przewodu z ładowarki.
- Przewód do ładowarki powinien być ułożony tak aby nie mógł być zgnieciony i, żeby nikt nie mógł się o niego potknąć, może to prowadzić do uszkodzeń.
- Jeżeli nie jest to konieczne nie stosować przedłużaczy. Użycie nieodpowiedniego przedłużacza może spowodować pożar lub prowadzić do porażenia prądem.
- Nie używać ładowarki po upadku, uderzeniu lub innym uszkodzeniu.
- Nie używać ładowarki, jeżeli uszkodzony jest przewód lub gniazdo – należy je niezwłocznie wymienić. Ładowarkę należy naprawiać i konserwować tylko w autoryzowanym serwisie.
- W przypadku uszkodzonego kabla wymianę zlecać producentowi lub w autoryzowanym serwisie.
- Nie demontować ładowarki. Naprawy zlecać tylko w autoryzowanym serwisie. Niepoprawny montaż może doprowadzić do wypadku lub porażenia prądem.
- Przed czyszczeniem należy odłączyć ładowarkę od sieci, w celu uniknięcia porażenia prądem. Wyjęcie tylko baterii nie zmniejsza ryzyka.
- Nie należy łączyć ze sobą dwóch ładowarek.
- Nie należy przechowywać ładowarki i baterii w pomieszczeniach, w których temperatura przekracza +40°C, np.: poddasze, samochody mieszkalne lub konstrukcje metalowe latem.
- Ładowarka jest przeznaczona do standardowego prądu sieciowego (230-240V). Nie należy podłączać ładowarki do sieci z innym napięciem.
- Przed ładowaniem kolejnej baterii należy odłączyć ładowarkę od sieci, odczekać 15 minut aż się ostudzi. Wtedy można ładować następną baterię.
- W niektórych warunkach ciało obce, które dostanie się do ładowarki może doprowadzić do spięcia. Materiały jak np.: wlna stalowa, folia aluminiowa lub inne materiały metaliczne nie mogą znajdować się w pobliżu ładowarki. Jeżeli baterie nie są ładowane należy odłączyć ładowarkę od sieci.
- Nie należy zamrażać ładowarki ani zanurzać jej w wodzie i innych cieczach.

VI - Dodatkowe wskazówki do pracy z bateriami

- Bateria dostarczona z urządzeniem nie jest naładowana. Przed rozpoczęciem pracy należy baterię naładować.



UWAGA: Nie należy wkładać do ładowarki baterii, która ma rysy lub jest uszkodzona w inny sposób. Grozi porażenie prądem.

- Maksymalna wydajność i trwałość baterii mogą zostać osiągnięte, jeżeli temperatura otoczenia ładowanej baterii wynosi 18-24°C. Nie można ładować baterii w temperaturze otoczenia poniżej +4°C lub powyżej +40°C. Jest to bardzo istotny aspekt i jest on warunkiem uniknięcia poważnych uszkodzeń baterii.
- Podczas ładowania bateria i ładowarka mogą być ciepłe. Jest to normalne i nie jest oznaką uszkodzenia.
- W celu uniknięcia przegrzania nie należy ładować baterii bezpośrednio pod wpływem promieni słonecznych ani w pobliżu innych źródeł ciepła.
- Nie należy ładować baterii w kabinach ani kontenerach. Podczas ładowania bateria powinna znajdować się w dobrze przewietrzonym pomieszczeniu.
- Jeżeli bateria jest uszkodzona może dojść do wycieku elektrolitu, w konsekwencji czego zostaną uszkodzone pozostałe elementy. Należy sprawdzić elementy znajdujące się w pobliżu, wyczyścić je i wymienić jeżeli jest to konieczne.
- Jeżeli bateria nie jest ładowana :
 - (1) przy pomocy lampy i kontroli napięcia należy sprawdzić czy jest napięcie w gniazdku
 - (2) należy zmienić miejsce ładowarki i przestawić ją tak aby temperatura otoczenia wynosiła 18-24°C
 - (3) Jeżeli mimo to występują problemy w ładowaniu baterii, ładowarkę i osprzęt razem z baterią należy oddać do serwisu
- Baterię wymaga naładowania, jeżeli moc podczas pracy nie jest wystarczająca. W takim przypadku należy przerwać pracę. Bateria powinna zostać naładowana.
- Nie wolno palić baterii. Baterie mogą powodować eksplozję.
- Nie należy używać baterii (podczas upałów) na poddaszu, w kontenerze, samochodzie mieszkalnym lub innych pomieszczeniach bez izolacji.



UWAGA: Nie należy nigdy otwierać baterii. W przypadku uszkodzeń lub rys, należy zdać baterię w przeznaczonym do tego punkcie.

PRZED ŁADOWANIEM BATERII DO ELEKTRONARZĘDZI, NALEŻY PRZECZYTAĆ WSZYSTKIE INFORMACJE W PUNKCIE O ŁADOWARCE.

- Należy używać tylko odpowiednich baterii SPARKY (bateria dostarczona z urządzeniem lub bateria oryginalna). Nigdy nie instalować innych baterii. Może to

uszkodzić urządzenie i doprowadzić do zagrożenia. Do ładowania używać tylko ładowarek SPARKY.

- Nie należy wyrzucać baterii razem z odpadami z gospodarstwa domowego. Zużyte baterie należy zbierać osobno i przekazać do recyklingu zgodnie z przepisami dotyczącymi ochrony środowiska.

INSTALACJA I WYJMOWANIE BATERII

W celu wyjęcia baterii należy nacisnąć przycisk zwalniająco baterię (10) i wyjąć ją z urządzenia.



UWAGA: Przed konserwacją urządzenia, lub montażem i ładowaniem baterii, wymianą końcówek, transportem i przechowywaniem przełącznik zmiany kierunku obrotów (6) należy ustawić na pozycji środkowej.

Montaż baterii: Baterię należy włożyć do otworu w dolnym końcu urządzenia pod przyciskiem (10) aż będzie słyszalne kliknięcie.

ŁADOWANIE BATERII

Należy włożyć wtyczkę ładowarki (11) do kontaktu. Wskaźnik ładowarki (13) zaświeci się na 1 sekundę zielonym, czerwonym i żółtym światłem.

Baterię (9) należy włożyć do ładowarki, przy czym należy zwrócić uwagę na położenie biegunowe.

Nowe baterie działają standardowo po pięciu cyklach ładowania. Baterie, które były nieużywane przez dłuższy czas muszą być 2-3 razy naładowane i rozładowane zanim będą działać optymalnie.

Jeżeli bateria nie działa tak jak powinna mimo, że jest naładowana do końca, oznacza to, że skończył się okres jej trwałości. W tym wypadku należy niezwłocznie wymienić baterię. Należy stosować tylko oryginalne baterie SPARKY, które można kupić w punkcie zakupu urządzenia.



UWAGA: Bateria jest w pełni naładowana po upływie godziny. Po tym czasie należy wyjąć baterię z ładowarki.

1) Wskaźnik ładowania:

Zielone światło migające: Ładowarka gotowa do pracy;

Czerwone światło stałe: Bateria jest ładowana
Zielone światło stałe: Czas ładowania jest zakończony, lub bateria jest naładowana;

Czerwone światło migające: tryb oczekiwania; bateria jest w tej chwili przegrzana;

Żółte światło migające: ładowanie jest niemożliwe.

2) W przypadku próby ładowania baterii zaraz po użyciu lub ładowania baterii w pełni naładowanej ładowarka przechodzi w stan oczekiwania (czerwone światło migające). Wtedy automatycznie włącza się wentylator chłodzący ładowarki w celu zmniejszenia temperatury ładowarki. Po ochłodzeniu ładowarki wygasa czerwone migające światło i ładowarka zaczyna ładować baterię (czerwone światło stałe).

3) Ładowarka rozpoznaje automatycznie poziom naładowania baterii.

PORADY W CELU WYDŁUŻENIA TRWAŁOŚCI BATERII

- Nie należy ponownie ładować baterii, po krótkim czasie pracy, może to prowadzić do redukcji trwałości i wydajności baterii.
- Nie używana bateria nie powinna znajdować się w pobliżu spinek, monet, igieł, śrubek i innych małych metalowych przedmiotów. Kontakt końcówek baterii z metalem może prowadzić do spięcia, pożaru lub eksplozji.
- Nie używana ładowarka powinna być odłączona od sieci i przechowywana w suchym i bezpiecznym miejscu.
- Nie należy ładować baterii ani przechowywać ładowarki w pomieszczeniach, w których temperatura może spaść poniżej 0°C lub wzrosnąć powyżej +40°C.

WSKAŹNIK POZIOMU NAŁADOWANIA BATERII

Stan baterii jest kontrolowany diodą świetlną (4). W celu wyłączenia wskaźnika należy wcisnąć przycisk 12 (rys. 1).

1. Bateria jest naładowana do 70 - 100%
2. Bateria jest naładowana do 30 - 69%
3. Bateria jest naładowana poniżej 30%
4. Bateria jest pusta

VII - Opis narzędzia

Przed rozpoczęciem pracy z urządzeniem należy dokładnie przeczytać wszystkie informacje o specyfice pracy i warunkach bezpieczeństwa.

Urządzenie i osprzęt powinny być stosowane tylko do celów wymienionych w instrukcji obsługi. Każde inne zastosowanie jest niedozwolone.

1. Mufa zamykająca
2. Uchwyt bitów
3. Oświetlenie miejsca pracy LED
4. Przełącznik zmiany kierunku obrotów
5. Włącznik
6. Włącznik oświetlenia miejsca pracy LED
7. Wskaźnik świetlny baterii
8. Przycisk wskaźnika świetlnego baterii
9. Przycisk baterii
10. Bateria akumulatorowa
11. Wskaźnik świetlny ładowarki
12. Ładowarka

VIII - Użytkowanie

OŚWIETLENIE MIEJSCA PRACY

Urządzenie jest wyposażone w oświetlenie LED (3) miejsca pracy. W celu włączenia lub wyłączenia oświetlenia dodatkowego należy wcisnąć przycisk (7). Oświetlenie LED wyłącza się automatycznie po 10 minutach pracy.

WYBÓR KIERUNKU OBROTÓW

Położenie dźwigni całkowicie w prawo (4) (patrząc od tyłu) oznacza obrót odwrotny do kierunku wskazówek zegara, położenie dźwigni całkiem w lewo - zgodnie ze wskazówkami zegara. W momencie wciśnięcia włącznika (5) dźwignia (4) nie działa. (rys. 2) Jeżeli włącznik kierunku obrotów znajduje się w pozycji środkowej włącznik Wł/Wył nie działa.



UWAGA: Zmiana kierunku obrotów może być dokonywana tylko podczas gdy wrzeczono jest w stanie spoczynku.

W celu nawiercania otworów i wkręcania śrub przełącznik należy przesunąć w lewo. W celu wykręcenia śrub przełącznik należy przesunąć w prawo.

WŁĄCZANIE I WYŁĄCZANIE

Włączenie: Wcisnąć włącznik (5).

Wyłączenie: Puścić włącznik (5).

Urządzenie jest wyposażone w hamulec silnika. Wrzeczono zatrzymuje się natychmiast po zwolnieniu włącznika.

BEZSTOPNIOWA ELEKTRONICZNA REGULACJA OBROTÓW

Wcisnąc lekko włącznik (5) wiertarka zaczyna pracować na niskich obrotach, które można podwyższać bezstopniowo do maksimum wciskając włącznik.

PRACA Z ELEKTRONARZĘDZIEM

Funkcja udaru włącza się przy obciążeniu, które jest wyższe od podanego. Wciśnięcie włącznika podczas biegu jałowego powoduje tylko podwyższenie obrotów (prędkość).

Moment dokręcający zależy od czasu trwania funkcji udaru. Standardowo osiąga się optymalny moment dokręcający po 3-10 sekundach pracy z funkcją udaru. Po tym czasie moment dokręcający zostaje istotnie podwyższony. Ciągła praca z funkcją udaru może prowadzić do uszkodzenia lub spalenia silnika elektrycznego.

Moment zależy od długości, jakości i średnicy śruby jak również twardości materiału (drewno, stal itd.), do którego jest wkręcana i rodzaju użytej podkładki. Funkcję udaru należy włączać po namyśle i dokładnym ustaleniu czasu pracy. Wskazane jest również przeprowadzenie dokręcenia próbnego przy pomocy klucza elektrodynamicznego.



UWAGA: Nie używać urządzenia z zepsutym przełącznikiem.

MONTAŻ I DEMONTAŻ BITU (RYS. 3)



UWAGA: Należy wyjąć baterię lub ustawić przełącznik zmiany kierunku obrotów (6) w pozycji środkowej (neutralnej).

Montaż bitu:

1. Muflę zamykającą przesunąć w przód (1).
2. Włożyć bit do osadzenia (2).
3. Puścić muflę, aż znajdzie się w pozycji wyjściowej, w której utrzyma bit.



UWAGA: Dopóki mufa nie wskoczy na pozycję wyjściową, bit nie jest prawidłowo zamontowany.

Demontaż bitu:

Przesunąć muflę zamykającą w przód i przytrzymać do momentu wyjęcia bitu.

WKREĆCIE

Wybrać bit pasujący do główki śruby, włożyć nasadkę w rowek śruby i przykręcić śrubę. Nie należy wywierać nacisku na urządzenie jeżeli nie jest to konieczne.



UWAGA: Zbyt mocne przykręcenie może złać śrubę lub uszkodzić nasadkę.

- Przedłużony czas wkręcania może zniszczyć śrubę lub może ona zostać zbyt mocno przykręcona.
- Śruba i urządzenie powinny znajdować się podczas wkręcania w jednej linii, w innym wypadku może dojść do uszkodzenia śruby.

IX - Konserwacja



UWAGA: Przed rozpoczęciem zmian w urządzeniu, jak: montaż i ładowanie baterii, wymiana narzędzi, transport, konserwacja i przechowywanie przełącznik zmiany kierunku obrotów (6) musi być ustawiony zawsze w pozycji środkowej.

Należy regularnie sprawdzać, czy śruby obudowy są dobrze przykręcone. Przy częstym używaniu śruby mogą się obluźniać pod wpływem wibracji. Wszystkie elementy ruchome należy regularnie smarować.

CZYSZCZENIE

Urządzenie i otwory wentylacyjne powinny być zawsze czyste.

Należy regularnie sprawdzać czy w kratce wentylacyjnej znajdującej się w pobliżu silnika nie ma kurzu ani ciała obcych. Do odkurzania używać miękkiej szczotki. Do czyszczenia należy zakładać okulary ochronne. Urządzenie czyścić wilgotną ścierką z zastosowaniem delikatnego płynu.



UWAGA: Nie należy stosować alkoholu, benzyny ani innych rozpuszczalników. Do czyszczenia tworzyw sztucznych nie należy używać agresywnych środków czyszczących.



UWAGA: Chronić urządzenie przed wodą.

Wskazówki czyszczenia ładowarki:



UWAGA: Przed czyszczeniem odłączyć ładowarkę od sieci.

- Zabrudzone miejsca na zewnątrz ładowarki czyścić ścierką lub miękkim druciakiem. Bez wody lub rozpuszczalników.

UWAGA! W celu zapewnienia bezpiecznej pracy i trwałości urządzenia wszystkie naprawy i prace konserwacyjne należy zlecać w autoryzowanym serwisie SPARKY. Należy używać tylko oryginalnych części zamiennych.

X - Gwarancja

Okres gwarancji urządzeń SPARKY jest podany w karcie gwarancyjnej. Naturalne zużycie oraz uszkodzenia powstałe w wyniku przeciążenia lub niewłaściwej obsługi nie podlegają gwarancji.

Uszkodzenia wynikłe z wady materiałowej lub błędów produkcyjnych zostaną usunięte bezpłatnie w drodze naprawy lub wymiany urządzenia.

Reklamacje uszkodzonych urządzeń SPARKY zostaną rozpatrzone jeśli zostaną dostarczone w stanie w jakim stwierdzono wadę, nie rozmontowane, do autoryzowanego serwisu lub punktu sprzedaży.

Informacja

Przeczytać uważnie całość niniejszej instrukcji obsługi przed użytkowaniem niniejszego sprzętu.

Narzędzia SPARKY są stale ulepszane w związku z tym otrzymany produkt może nieznacznie różnić się od tego ukazanego w niniejszej instrukcji. Producent zapewnia sobie prawo do wprowadzania zmian bez uprzedzenia. Specyfikacja może się różnić w zależności od kraju.

Содержание

I	- Введение	61
II	- Технические данные	63
III	- Общие указания по технике безопасности при использовании электроинструментов	64
IV	- Дополнительные правила техники безопасности при использовании ударного шуруповерта	65
V	- Дополнительные правила работы подзарядного устройства	65
VI	- Дополнительные правила работы батарей	66
VII	- Ознакомление с электроинструментом	A/68
VIII	- Указания по работе	68
IX	- Обслуживание	69
X	- Гарантия	69

РАСПАКОВКА

Электроинструмент поставляется комплектно в исправном виде. В случае обнаружения несоответствий не рекомендуем использовать инструмент до тех пор, пока обнаруженный дефект не будет устранен. Невыполнение этой рекомендации может стать причиной травмы.

СБОРКА

Аккумуляторный ударный шуруповерт GUR 15Li HD поставляется в полностью собранном виде, упакованным

I - Введение

Новоприобретенный Вами электроинструмент SPARKY превзойдет Ваши ожидания. Он произведен в соответствии с высокими стандартами качества SPARKY, отвечающими строгим требованиям потребителя. Его легко обслуживать и он безопасен при эксплуатации, при правильном использовании этот электроинструмент будет служить Вам долгие годы.

ПРЕДОСТЕРЕЖЕНИЕ!



Прочтите внимательно и целиком инструкцию по эксплуатации перед использованием новоприобретенного электроинструмента SPARKY. Обратите специальное внимание на параграфы, обозначенным словом “**Предостережение**”. У Вашего электроинструмента SPARKY много качеств, которые облегчают работу. При разработке этого инструмента основное внимание было направлено на безопасность, эксплуатационные качества и надежность, которые облегчают его обслуживание и эксплуатацию.



Не выбрасывайте электроинструменты вместе с бытовыми отходами!

Отходы от электрических изделий не следует собирать вместе с бытовыми отходами. Пожалуйста, рециклируйте в местах, предназначенных для этого. Свяжитесь с местными властями или представителем для консультации касательно рециклирования.

ОХРАНА ОКРУЖАЮЩЕЙ СРЕДЫ



С учетом охраны окружающей среды электроинструмент, принадлежности и упаковка должны подвергнуться подходящей переработке для повторного использования содержащегося в них сырья. Для облегчения рециклирования деталей, произведенных из искусственных материалов, они обозначены соответствующим образом.

ОПИСАНИЕ СИМВОЛОВ

На табличке с данными электродрели нанесены специальные символы. Они представляют собой важную информацию об использовании инструмента и его характеристиках.



Двойная изоляция для дополнительной защиты



Соответствует релевантным европейским директивам



Соответствует требованиям российским нормативным документам



Соответствует требованиям украинским нормативным документам



Ознакомьтесь с инструкцией по эксплуатации

YYYY-Www Период производства, где переменные символы означают:
YYYY - год производства, ww – очередная календарная неделя

GUR АККУМУЛЯТОРНЫЙ УДАРНЫЙ ШУРУПОВЕРТ

II - Технические данные

Модель	GUR 15Li HD
▪ Электродвигатель	14.4 V
▪ Скорость холостого хода	0–2400 min ⁻¹
▪ Частота ударов	0–3200 min ⁻¹
▪ Максимальный вращающий момент	145 Nm
▪ Гнездо для наконечника	¼" (6.35 mm) ○
▪ Макс. диаметр	
- Машинного винта	M4–M8
- Винта общего предназначения	M5–M12
- Высоко-прочного винта	M5–M10
▪ Электроника для регулировки скорости вращения,	
левый – правый ход	да
▪ Электрический тормоз	да
▪ Светодиодный индикатор подзарядки	да
▪ Вес (ЕРТА процедура 01/2003)	
- с батареей 1.5 Ah	1.3 kg
- с батареей 2.6/3.0Ah	1.4 kg

ИНФОРМАЦИЯ О ШУМЕ И ВИБРАЦИЯХ (Показатели замерены согласно EN 60745.)

▪ Уровень шума:	
A- взвешенный уровень звуковой нагрузки L _{РА}	90 dB(A)
Неопределенность K _{РА}	3 dB
A- взвешенный уровень звуковой мощности L _{WA}	101 dB(A)
Неопределенность K _{WA}	3 dB



Пользуйтесь средствами защиты от шума!

▪ Уровень вибраций *	
<i>Общий уровень вибраций (векторная сумма трех осей), замеренный согласно EN 60745</i>	
Размер вибраций a _{h,D}	15 m/s ²
Неопределенность K _{h,D}	1.5 m/s ²
* Вибрации замерены согласно п. 6.2.7 на EN 60745-1.	

БАТАРЕЯ (Li-ion)

▪ Напряжение	14.4 V
▪ Мощность	1.5 / 2.6 / 3.0 Ah
▪ Вес	0.3 / 0.5 / 0.5 kg

УСТРОЙСТВО для подзарядки

▪ На входе:	
Напряжение / частота	230V ~50Hz
Потребляемая мощность	60 VA
▪ Напряжение на выходе /электрический ток	14.4V / 2.6A
Время подзарядки - батарея 1.5Ah	30 min
- батарея 2.6/3.0Ah	60 min
▪ Вес	0.6 kg

Указанный в настоящую инструкцию уровень вибраций измерен в соответствии с установленную EN 60745 методику испытаний и может использоваться для сравнения электроинструментов. Уровень вибраций может использоваться для предварительной оценки воздействия.

Указанный уровень вибраций дан при условии использования инструмента по его прямому предназначению. В тех случаях, когда электроинструмент используется для других целей, с другими принадлежностями, уровень вибраций может отличаться от указанного. В этих случаях уровень воздействия может значительно возрасти в рамках общего периода работы.

Для точной оценки воздействия вибраций во время определенного периода работы необходимо учитывать промежутки времени, в которые электроинструмент выключен, либо хотя и включен, но фактически не используется. Это может существенно сократить воздействия вибраций в течение всего периода работы.

Сохраняйте электроинструмент и его принадлежности в хорошем состоянии. Во время работы старайтесь сохранять руки теплыми - это поможет уменьшить вредное воздействие при работе с повышенной вибрацией.

III - Общие указания по безопасности при работе с электроинструментами



ПРЕДУПРЕЖДЕНИЕ! Прочитайте все предупреждения и указания по безопасности. Несоблюдение предупреждений и указаний по безопасности может привести к поражению электрическим током, от пожара и/или серьезным ранениям.

Сохраните все предупреждения и указания для дальнейшего использования.

Термин "электроинструмент" во всех указанных ниже предупреждениях касается вашего электроинструмента, с питанием от сети (с кабелем) и/или электроинструмент с питанием от аккумуляторной батареи (без кабеля).

1. БЕЗОПАСНОСТЬ РАБОЧЕГО МЕСТА

- a) Содержите рабочее место в чистоте и хорошо освещенным. Беспорядок и недостаточное освещение являются предпосылками трудовых инцидентов.
- b) Не работайте с электроинструментами во взрывоопасной атмосфере при наличии воспламеняющихся жидкостей, газов или пыли. Электроинструменты создают искры, которые могут воспламенить пыль или пары.
- c) Держите детей и посторонних лиц на расстоянии, когда работаете с электроинструментом. Рассеивание может привести к потере контроля с Вашей стороны.

2. ЭЛЕКТРИЧЕСКАЯ БЕЗОПАСНОСТЬ

- a) Штепселя электроинструментов должны соответствовать контактным гнездам. Никогда не меняйте штепсель каким-либо способом. Не используйте какие-либо адаптерные штепселя для электроинструментов с защитным заземлением. Использование оригинальных штепселей и соответствующим им контактов уменьшает риск от удара электрическим током.
- b) Избегайте соприкосновения тела с землей или с заземленными поверхностями, такими как трубы, радиаторы, кухонные плиты и холодильники. Если ваше тело заземлено, существует повышенный риск поражения электрическим током.
- c) Не оставляйте электроинструменты под дождем или во влажной среде. Проникновение воды в электроинструменты повышает риск от поражения электрическим током.
- d) Используйте кабель по назначению. Никогда не используйте кабель для переноса электроинструмента, натягивания или отключения штепселя из контактного гнезда. Держите кабель далеко от тепла, масла,

острых углов или движущихся частей. Поврежденные или запутанные кабели повышают риск от поражения электрическим током.

- e) Во время наружной работы с электроинструментом используйте удлинитель, подходящий для этих целей. Использование удлинителя, предназначенного для внешних /наружных/ работ, уменьшает опасность от поражения электрическим током.
- f) В случае, если работа с электроинструментом во влажной среде неизбежна, используйте предохранительное устройство, которое задействовано от остаточного тока для прерывания подачи тока. Использование предохранительного устройства уменьшает риск от поражения электрическим током.

3. ЛИЧНАЯ БЕЗОПАСНОСТЬ

- a) Будьте бдительны, работайте с повышенным вниманием и проявляйте благоразумие, когда работаете с электроинструментом. Не используйте электроинструмент, когда вы устали или находитесь под влиянием наркотиков, алкоголя или медикаментов. Момент невнимания при работе с электроинструментом может привести к серьезной производственной травме.
- b) Используйте индивидуальные средства защиты. Носите всегда защитные очки. Индивидуальные средства защиты, такие как маска против пыли, нескользкая обувь, защитный шлем или средства для защиты слуха, используемые в конкретных условиях, снижают риск от производственных травм.
- c) Избегайте невольного пуска инструмента. Убедитесь, что выключатель находится в положении „выключено“ перед включением к источнику питания и/или аккумуляторной батарее перед тем, как его возьмете в руки или перенесите. Ношение электроинструмента с пальцем на выключателе или подключение к источнику питания электроинструмента с выключателем во включенном положении является предпосылкой для производственной травмы.
- d) Удалите каждый ключ для затягивания или гаечный ключ перед включением электроинструмента. Ключ для затягивания или гаечный ключ, прикрепленный к вращающейся части электроинструмента, может привести к трудовому инциденту.
- e) Не перетягивайтесь. Поддерживайте правильное положение и равновесие в течение всей работы. Это позволит лучше управлять электроинструментом при неожиданных ситуациях.
- f) Носите подходящую рабочую одежду. Не носите широкую одежду или украшения. Держите свои волосы, одежду и перчатки далеко от движущихся частей. Широкая одежда, бижутерия или длинные волосы могут попасть в движущиеся части.
- g) Если электроинструмент снабжен приспособлением для пыли, убедитесь, что они правильно установлены и правильно используются. Использование этих устройств может

4. ЭКСПЛУАТАЦИЯ И УХОД ЗА ЭЛЕКТРОИНСТРУМЕНТАМИ

- a) Не перегружайте электроинструмент. Используйте правильно выбранный электроинструмент согласно его назначению. *Правильно подобранный электроинструмент работает лучше и безопасней для объявленного режима работы, для которого он спроектирован.*
- b) Не используйте электроинструмент в случае, если выключатель не переключается во включенное и исключенное положение. *Каждый электроинструмент, который не может управляться с помощью его выключателя, опасен и подлежит ремонту.*
- c) Отключите штепсель от электросети перед тем, как начать любые настройки, перед заменой принадлежностей или перед тем, как убрать электроинструмент для хранения. *Эти меры предосторожности снижают риск невольного пуска электроинструмента.*
- d) Сохраняйте неиспользованные электроинструменты в местах, недоступных для детей и не позволяйте обслуживающему персоналу, который не знаком с электроинструментом или инструкциями по эксплуатации, работать с ним. *Электроинструменты являются опасными в руках необученных потребителей.*
- e) Проверьте электроинструменты. Проверьте, работают ли нормально и движутся ли свободно движущиеся части, находятся ли в целости и исправности части, а также проверяйте все прочие обстоятельства, которые могут неблагоприятно повлиять на работу электроинструмента. Если он поврежден, электроинструмент необходимо отремонтировать перед его дальнейшим использованием. *Многие инцидентов происходят от плохо обслуживаемых электроинструментов.*
- f) Поддерживайте режущие инструменты острыми и чистыми. *Правильно поддерживаемые режущие инструменты с острыми режущими углами реже блокируются и проще управляются.*
- g) Используйте электроинструмент, принадлежностей и части инструмента и т.д. в соответствии с этими инструкциями и способом, предусмотренным для конкретного типа электроинструмента, имея в виду рабочие условия и работу, которую необходимо выполнять. *Использование электроинструмента для работы не по назначению может привести к опасной ситуации.*

5. ОБСЛУЖИВАНИЕ

- a) Ремонтируйте ваш электроинструмент у квалифицированного специалиста по ремонту, при этом используйте только оригинальные запасные части. *Это обеспечивает сохранение безопасности электроинструмента.*

IV - Дополнительные правила техники безопасности при использовании ударных шуруповертов

- Пользуйтесь средствами защиты слуха при использовании ударных дрелей. *Интенсивный шум во время работы может повредить слух.*
- В случае потенциальной возможности касания сверла до скрытой электропроводки или до собственного питающего шнура, держите электроинструмент только за изолированные поверхности рукоятки. *Контакт принадлежностей с токоведущим проводом ставит под напряжение также открытые металлические части электроинструмента и может привести к поражению оператора электрическим током.*
- Электроинструмент всегда находится в рабочем состоянии, без необходимости подключения в электрическую сеть. При монтаже или демонтаже батареи всегда устанавливайте выключатель в позицию ВЫКЛЮЧЕН.

V - Дополнительные правила работы подзарядного устройства

- Перед тем, как приступить к использованию подзарядного устройства, ознакомьтесь со всеми инструкциями и предупреждениями, касающимися инструмента и комплекта батарей, а также инструкциями по использованию батарей.
- Заряжайте батареи только в закрытых помещениях, т.к. устройство для подзарядки предназначено только для применения в закрытых помещениях.



ПРЕДУПРЕЖДЕНИЕ: Если батарея повреждена, не вставляйте ее в подзарядное устройство - существует опасность удара электрическим током.



ПРЕДУПРЕЖДЕНИЕ: Не допускайте попадания воды в подзарядное устройство. Существует опасность удара электрическим током.

- Устройство для подзарядки предназначено для работы единственно с батареей SPARKY, включенной в комплект поставки. Использование других батарей может нести риск возникновения пожара или удара электрическим током.
- Устройство для подзарядки и входящая в ком-

плект поставки батареи изготовлены специально для совместного использования. Не заряжайте батарею с помощью другого устройства для подзарядки.

- Не располагайте на устройстве для подзарядки посторонние предметы, т.к. это может привести к перегреву. Не оставляйте устройство для подзарядки вблизи источников тепла.
- Не дергайте за шнур устройства для подзарядки, чтобы выключить его из сети.
- Убедитесь в том, что шнур устройства для подзарядки расположен так, чтобы на него невозможно было наступить, споткнуться, повредить или подвергнуть механическим нагрузкам.
- Не используйте удлинители, если это не крайне необходимо. Использование неподходящего удлинителя может создать опасность возникновения пожара или удара электрическим током.
- Не используйте устройство для подзарядки, если оно сильно ударено, упало или повреждено каким-либо путем. Не используйте подзарядное устройство в случае, если его шнур или штепсель повреждены – их необходимо немедленно заменить. Обратитесь за помощью в специализированную ремонтную мастерскую.
- Замену поврежденного кабеля должен осуществлять только производитель или специалист специализированной мастерской, во избежание рисков.
- Не разбирайте устройство для подзарядки. Для выполнения ремонтов обращайтесь в специализированную мастерскую. Неправильная повторная сборка может быть опасна по причине возгорания или удара электрическим током.
- Во избежание опасности удара электрическим током, перед тем как приступить к чистке, выключите устройство для подзарядки из электрической сети. Демонтаж батареи сам по себе не снижает этот риск.
- Никогда не пытайтесь соединить последовательно два устройства для подзарядки.
- Это устройство предназначено для подключения в стандартную электрическую сеть напряжением 220–240V. Не подключайте устройство для подзарядки в электрическую сеть с другим напряжением
- При необходимости зарядить другую батарею, выключите устройство для подзарядки из электрической сети, подождите пока оно остынет в течение ок. 15 минут, после чего можете заряжать следующую батарею
- В определенных условиях, если устройство для подзарядки включено в электрическую сеть, попавшие на открытые контакты чужеродные тела могут вызвать короткое замыкание. Материалы - проводники, такие как (но не только) стальная вата, фольга, или любой другой материал, содержащий металлические частички, необходимо хранить вдали от полостей устройства для подзарядки. Всегда, когда в устройстве для подзарядки не вставлена батарея, его необходимо выключать из электрической сети.
- Не замораживайте и не погружайте устройство для подзарядки в воду или другую жидкость.

VI - Дополнительные правила работы батарей

- Батарея для этого электроинструмента поставляется не до конца заряженной. Батарею необходимо полностью зарядить перед тем, как приступить к работе.



ПРЕДУПРЕЖДЕНИЕ: Если батарея треснула, или повреждена другим путем, не вставляйте ее в устройство для подзарядки. Существует опасность удара электрическим током.

- Максимальная длительность использования и эксплуатационные качества могут быть достигнуты в условиях, при которых батарея заряжается при температуре воздуха 18°C–24°C. Не заряжайте батарею при температуре воздуха ниже +4°C или выше +40°C. Это имеет большое значение, и является предпосылкой предотвращения серьезных повреждений батареи.
- Во время подзарядки устройство и батарея могут нагреться. Это нормально, и не является показателем наличия проблемы.
- Во избежание перегрева, не заряжайте батарею под прямым солнечным светом в жаркое время, или вблизи источников тепла.
- Не заряжайте в кабине или резервуаре. Во время подзарядки батарея должна находиться в хорошо проветриваемом помещении.
- Из дефектной батареи на соседние детали может попасть электролит. Проверьте соседние детали, очистите их, а в случае необходимости замените.
- Если батарея не заряжается нормально:
 - (1) Проверьте наличие напряжения в розетке с помощью лампы или фазомера.
 - (2) Установите устройство для подзарядки с батареей в место, где температура воздуха составляет приблизительно 18°C–24°C.
 - (3) Если несмотря на это возникает проблема при подзарядке, отнесите или отправьте электроинструмент с батареей и устройством для подзарядки в местную сервисную мастерскую.
- Батарею необходимо зарядить тогда, когда она перестает обеспечивать достаточно мощности при операциях, которые ранее осуществлялись легко. В этом случае следует ПРЕКРАТИТЬ РАБОТУ. Начните подзарядку.
- Не сжигайте батареи, даже если они сильно повреждены или более не могут заряжаться. Батареи могут взорваться в огне.
- Для ускорения охлаждения батареи после использования, в жаркое время не используйте устройство для подзарядки или батарею под металлическим навесом или в металлическом помещении без тепловой изоляции.



ПРЕДУПРЕЖДЕНИЕ: Никогда не пытайтесь вскрыть батарею по какой-либо причине. Если пластмассовый корпус батареи сломан, или треснул, сдайте батарею в утилизацию.

ПЕРЕД ТЕМ, КАК ЗАРЯДИТЬ БАТАРЕЮ ВАШЕГО ЭЛЕКТРОИНСТРУМЕНТА, ПРОЧТИТЕ ВСЕ ИНСТРУКЦИИ, ПРЕДСТАВЛЕННЫЕ В РАЗДЕЛЕ УСТРОЙСТВА ДЛЯ ПОДЗАРЯДКИ.

- Всегда используйте подходящую батарею SPARKY (входящую в комплект поставки или такую же запасную батарею). Никогда не вставляйте никакие другие батареи. Это опасно, и приведет к поломке электроинструмента.
- Заряжайте батареи только с помощью устройства SPARKY.
- Не выбрасывайте батареи вместе с бытовыми отходами. Батареи следует отдельно передавать в утилизацию согласно требованиям по охране окружающей среды

МОНТАЖ И ДЕМОНТАЖ БАТАРЕИ

Демонтаж батареи: нажмите кнопку для освобождения батареи (9), и выньте ее из корпуса электроинструмента.



ПРЕДУПРЕЖДЕНИЕ: Всегда устанавливайте переключатель смены направления вращения (4) в среднюю позицию перед тем, как выполнять любые действия с электроинструментом, напр. монтаж и подзарядку батареи, замену наконечника, перенос, обслуживание или хранение электроинструмента.

Монтаж батареи: Вставьте батарею (10) в отверстие в основе электроинструмента под кнопкой (9) до звука характерного щелчка.

ПОДЗАРЯДКА БАТАРЕИ

Включите штепсель устройства для подзарядки (12) в электрическую розетку. Индикатор устройства для подзарядки (11) последовательно светит зеленым, красным и желтым светом, в течение 1 секунды, после чего включается режим ожидания.

Вставьте батарею (10) в гнездо устройства для подзарядки, с учетом расположения полюсов.

Новые батареи работают полноценно после 5 циклов подзарядки/разрядки. Неупотребляемые длительное время батареи следует зарядить и разрядить 2-3 раза, пока они начнут работать хорошо. Если время использования батареи значительно сократилось, независимо от полной подзарядки, вероятно срок жизни батареи исчерпан. Необходимо немедленно заменить батарею.



ПРЕДУПРЕЖДЕНИЕ: Батарея полностью заряжается приблизительно за один (1) час. По истечении этого времени выньте батарею из устройства для подзарядки.

1) Индикации:

Мерцающий зеленый свет: перед тем, как вставить батарею

Красный свет: во время подзарядки батареи

Зеленый свет: подзарядка завершена

Мерцающий красный свет: режим ожидания (батарея перегрелась)

Мерцающий желтый свет: подзарядка невозможна.

2) При попытке зарядить перегревшуюся батарею сразу же после употребления, или после подзарядки, индикатор начинает мерцать красным светом (режим ожидания). Для снижения температуры батареи автоматически включается вентилятор устройства для подзарядки. После охлаждения батареи прекращается мерцание и индикатор загорается постоянным красным светом.

3) Устройство для подзарядки учитывает уровень подзарядки батареи, и при не до конца заряженной батарее переходит в режим дополнительной подзарядки и поддержания батареи в заряженном состоянии.

РЕКОМЕНДАЦИИ ПО ПРОДЛЕНИЮ ЖИЗНИ БАТАРЕЙ

- Не заряжайте батарею повторно после короткого периода работы, это может сократить длительность работы и мощность батареи.
- Во время простоев держите батарею вдали от скрепок, монет, ключей, гвоздей, шурупов и других мелких металлических предметов, которые могут вызвать короткое замыкание, что может вызвать пожар или взрыв.
- Всегда выключайте устройство для подзарядки из электрической розетки во время простоев. Храните устройство в сухом и безопасном месте.
- Не заряжайте батареи и не храните устройство для подзарядки в помещениях, в которых температура может снизиться ниже 0°C, или превысить +40°C.

ИНДИКАТОР СОСТОЯНИЯ БАТАРЕИ

Состояние батареи во время работы контролируется светодиодным индикатором (7). Для активации индикатора, нажмите его кнопку (8). (Рис. 1)

1. Батарея заряжена на 70 - 100%
2. Батарея заряжена на 30 - 69%
3. Батарея заряжена менее чем на 30%
4. Батарея полностью разряжена.

VII - Ознакомление с электроинструментом

Перед тем, как приступить к использованию электроинструмента, ознакомьтесь со всеми его оперативными особенностями и условиями техники безопасности.

Используйте электроинструмент и его комплектующие только по назначению. Любое другое использование категорически запрещено.

1. Блокирующая втулка
2. Гнездо наконечника
3. Светодиодное освещение
4. Переключатель смены направления вращения
5. Выключатель
6. Кнопка светодиодного освещения
7. Светодиодный индикатор батареи
8. Кнопка светодиодного индикатора батареи
9. Кнопка освобождения батареи
10. Аккумуляторная батарея
11. Светодиодный индикатор устройства для подзарядки
12. Устройство для подзарядки

VIII - Указания по работе

СВЕТОДИОДНОЕ ОСВЕЩЕНИЕ РАБОЧЕЙ ЗОНЫ

Электроинструмент снабжен светодиодным освещением (3) для улучшения освещенности зоны работ в затемненных местах. Для того, чтобы включить или выключить дополнительное освещение, нажмите кнопку (6). Светодиодное освещение рабочей зоны выключается автоматически после 10-минутной работы.

НАСТРОЙКА НАПРАВЛЕНИЯ ВРАЩЕНИЯ

Крайняя правая позиция рычага (4) (вид сзади) соответствует вращению против часовой стрелки, а крайняя левая позиция - по часовой стрелке. При нажатии на выключатель (5) рычаг (4) блокируется. (Рис. 2)



ПРЕДУПРЕЖДЕНИЕ: Изменять направление вращения следует только при остановленном шпинделе.

Закручивание шурупов осуществляется при установленном в крайнюю левую позицию переключателя. Откручивание шурупов осуществляется при переключателе, установленном в крайнюю правую позицию.

ПУСК - ОСТАНОВКА

Пуск: нажать на выключатель (5)

Остановка: освободить выключатель (5)
Электроинструмент снабжен тормозом. Шпиндель прекращает вращение сразу же после полного освобождения рычага выключателя.

ЭЛЕКТРОННАЯ РЕГУЛИРОВКА ОБОРОТОВ

Легкое нажатие выключателя (5) приводит электроинструмент в действие на низких оборотах, которые плавно увеличиваются до максимальных по мере увеличения нажатия выключателя до упора.

РАБОТА ЭЛЕКТРОИНСТРУМЕНТА

Ударное действие включается при нагрузках, превышающих заданные. Нажатие выключателя на холстом ходу приведет лишь к изменению скорости вращения (оборотов).

Момент затяжки зависит от длительности ударного действия. Обычно, максимальный момент затяжки достигается через 3 - 10 секунд работы в ударном режиме. После этого периода момент затяжки увеличивается незначительно. Длительная работа в ударном режиме может привести к повреждению или выходу из строя электродвигателя.

Момент затяжки зависит от длины, класса и диаметра шурупа, жесткости материала (дерево, металл и др.), в который закручивается шуруп, от вида используемой шайбы. Используйте электроинструмент после внимательной оценки подходящего времени ударного действия, выполнив пробную затяжку и замерив показатель момента с помощью динамометричного ключа.



ПРЕДУПРЕЖДЕНИЕ: Электроинструмент с неисправным переключателем опасен, и перед использованием его необходимо отремонтировать.

МОНТАЖ И ДЕМОНТАЖ НАКОНЕЧНИКА (РИС. 3)



ПРЕДУПРЕЖДЕНИЕ: Вынуть батарею, или установить переключатель смены направления вращения (6) в среднюю (нейтральную) позицию.

Монтаж наконечника:

1. Передвиньте вперед блокирующую втулку (1).
2. Вставьте наконечник в шестигранное гнездо (2).
3. Освободите блокирующую втулку, и она вернется в исходное положение, в котором захватывается наконечник.



ПРЕДУПРЕЖДЕНИЕ: Если блокирующая втулка не возвращается в исходное положение, наконечник вставлен неправильно.

Демонтаж наконечника:

Передвиньте вперед блокирующую втулку, удерживая ее в этом положении до тех пор, пока наконечник будет вынут.

ЗАКРУЧИВАНИЕ / ОТКРУЧИВАНИЕ ШУРУПОВ

Вставьте подходящий для шурупа наконечник, настройте его в прорезь головки шурупа и затяните. Приложите к электроинструменту продольный нажим, необходимый для удерживания головки шурупа.



ПРЕДУПРЕЖДЕНИЕ: Слишком тугое закручивание может привести к поломке шурупа или повреждению наконечника.

- При слишком длительной затяжке шуруп может сломаться.
- Если удерживать инструмент под углом к шурупу, можно повредить головку шурупа, или же момент вращения не будет полностью передан шурупу.

IX - Обслуживание



ПРЕДУПРЕЖДЕНИЕ: Всегда устанавливайте переключатель смены направления вращения (4) в среднее положение перед тем, как приступить к любому обслуживанию, напр. при монтаже и подзарядке батареи, смене наконечника, переносе, обслуживании или хранении электроинструмента.

Регулярно проверяйте, насколько крепко закручены винты корпуса. В процессе применения они могут раскрутиться из-за вибраций.

Регулярно смазывайте все движущиеся части.

УДАЛЕНИЕ ЗАГРЯЗНЕНИЙ

Для обеспечения безопасной работы, всегда поддерживайте электроинструмент и его вентиляционные отверстия в чистоте.

Регулярно проверяйте вентиляционную решетку в области электродвигателя или переключателей на наличие пыли или чужеродных тел. Удаляйте пыль с помощью мягкой щетки. Чтобы предохранить глаза, в процессе чистки пользуйтесь защитными очками.

Загрязнения с корпуса машины следует удалять мягкой влажной салфеткой. Можно использовать слабый моющий препарат.



ПРЕДУПРЕЖДЕНИЕ: Не допускается применение спирта, бензина или других растворителей. Никогда не используйте едкие препараты для чистки пластмассовых частей.



ПРЕДУПРЕЖДЕНИЕ: Не допускайте контакта и попадания воды в электроинструмент.

Инструкции по удалению загрязнений с устройства для подзарядки:

- Загрязненные и жирные внешние части устройства для подзарядки удаляются салфеткой или мягкой неметаллической щеткой. Не используйте для этого воду и чистящие растворы

ВАЖНО! Для обеспечения безопасного использования электроинструмента и его надежности, любую деятельность по ремонту, обслуживанию и настройке необходимо осуществлять в специализированных мастерских SPARKY, используя только оригинальные запасные части.

X - Гарантия

Гарантийный срок электроинструментов SPARKY указан в гарантийной карте.

Неисправности, появившиеся в результате естественного изнашивания, перегрузки или неправильной эксплуатации, не входят в гарантийные обязательства.

Неисправности, появившиеся вследствие применения некачественных материалов и/или из-за производственных ошибок, устраняются без дополнительной оплаты путем замены или ремонта.

Рекламации дефектного электроинструмента SPARKY принимаются в том случае, если машина будет возвращена поставщику, или специализированному гарантийному сервису в не разобранном (первоначальном) состоянии.

Замечания

Внимательно прочитайте всю инструкцию по эксплуатации перед тем, как использовать это изделие.

Производитель сохраняет за собой право вносить в свои изделия улучшения и изменения, а также изменять спецификации без предупреждения.

Спецификации для разных стран могут различаться.

Зміст

I - Вступ	70
II - Технічні дані	72
III - Загальні вказівки з техніки безпеки при використанні електроінструментів	73
IV - Додаткові правила техніки безпеки під час використання ударного шурупверту	74
V - Додаткові правила роботи зарядного пристрою	74
VI - Додаткові правила роботи батарей	75
VII - Ознайомлення з електроінструментом	A/76
VIII - Вказівки по роботі	77
IX - Обслуговування	78
X - Гарантія	78

РОЗПАКУВАННЯ

Електроінструмент поставляється укомплектованим, у справному вигляді. У разі виявлення невідповідностей не рекомендуємо використовувати інструмент до тих пір, поки виявлений дефект не буде усунуто. Невиконання цієї рекомендації може стати причиною травми.

ЗБІРКА

Акумуляторний ударний шурупверт GUR 15Li HD постачається в упаковці у повністю зібраному вигляді.

I - Введення

Придбаний Вами електроінструмент SPARKY перевершить Ваші очікування. Він зроблений у відповідності до високих стандартів якості SPARKY, що відповідають суворим вимогам споживача. Його легко обслуговувати і він безпечний при експлуатації, при правильному використанні цей електроінструмент буде служити Вам довгі роки.



ЗАСТЕРЕЖЕННЯ!

Прочитайте уважно і цілком інструкцію з експлуатації, перед використанням новопридбаного електроінструменту SPARKY. Зверніть спеціальну увагу на параграфи, позначених словом "**Застереження**". У Вашого електроінструменту SPARKY багато якостей, які полегшують роботу. При розробці цього інструменту основну увагу було направлено на безпеку, експлуатаційні якості і надійність, які полегшують його обслуговування і експлуатацію.



Не викидайте електроінструменти разом з побутовими відходами!

Відходи від електричних виробів не варто збирати разом з побутовими відходами. Будь ласка, викидайте в місцях, призначених для цього. Зв'яжіться з місцевою владою або представником для консультації щодо повторної переробки.



ОХОРОНА НАВКОЛИШНЬОГО СЕРЕДОВИЩА

З урахуванням охорони навколишнього середовища електроінструмент, приналежності й упаковка повинно надати відповідній переробці для повторного використання сировини, що міститься в них. Для полегшення повторної переробки деталей, зроблених з штучних матеріалів, вони позначені відповідним чином.

ОПИС СИМВОЛІВ

На таблиці з даними електроінструменту нанесені спеціальні символи. Вони являють собою важливу інформацію про використання інструмента і його характеристики.



Подвійна ізоляція для додаткового захисту



Відповідає чинним європейським директивам



Відповідає вимогам російських нормативних документів



Відповідає вимогам білоруських нормативних документів



Ознайомтеся з інструкцією з експлуатації

YYYY-Www

Термін виробництва, де змінними символами є:
YYYY - рік випуску, ww – черговий календарний тиждень

GUR

АКУМУЛЯТОРНИЙ УДАРНИЙ ШУРУПОВЕРТ

II - Технічні дані

Модель	GUR 15Li HD
▪ Електродвигун	14.4 V
▪ Швидкість неробочого ходу	0-2400 min ⁻¹
▪ Частота ударів	0-3200 min ⁻¹
▪ Максимальний момент обертання	145 Nm
▪ Гніздо для наконечника	¼" (6.35 mm)
▪ Макс. діаметр Машинного гвинта	M4–M8
- Гвинта загального призначення	M5–M12
- Високоміцного гвинта	M5–M10
▪ Електроніка для регулювання швидкості обертання, лівий – правий хід	так
▪ Електричне гальмо	так
▪ Світлодіодний індикатор підзарядки	так
▪ Вага (ЕРТА процедура 01/2003)	так
- з батареєю 1.5Ah	1.3 kg
- з батареєю 2.6/3.0Ah	1.4 kg

ІНФОРМАЦІЯ ПРО ШУМ ТА ВІБРАЦІЇ (Показники заміряні згідно EN 60745.)

▪ Рівень шуму:	
А-зважений рівень звукового тиску L _{рА}	90 dB(A)
Невизначеність K _{рА}	3 dB
А-зважений рівень звукової потужності L _{wА}	101 dB(A)
Невизначеність K _{wА}	3 dB



Використовуйте засоби захисту від шуму!

▪ Рівень вібрацій *	
Загальний рівень вібрацій (векторна сума трьох осей), заміряний згідно EN 60745	
Розмір вібрацій a _{h,D}	15 m/s ²
Невизначеність K _{h,D}	1.5 m/s ²
* Вібрації визначені згідно п. 6.2.7 EN 60745-1.	

БАТАРЕЯ (Li-ion)

▪ Напруга:	14.4 V
▪ Потужність	1.5 / 2.6 / 3.0 Ah
▪ Вага	0.3 / 0.5 / 0.5 kg

ПРИСТРІЙ для підзарядки

▪ На вході:	
Напруга / частота	230V ~50Hz
Споживана потужність	60 VA
▪ Напруга на виході/електричний струм	14.4V / 2.6A
▪ Час для підзарядки - батарея 1.5Ah	30 min
- батарея 2.6/3.0Ah	60 min
▪ Вага	0.6 kg

Вказаний в інструкції рівень вібрацій виміряний відповідно до встановлених EN 60745 методик випробувань, і може використовуватися для порівняння електроінструментів. Рівень вібрацій може використовуватися для попередньої оцінки впливу.

Зазначений рівень вібрацій надано за умови використання інструменту за його прямим призначенням. У тих випадках, коли електроінструмент використовується для інших цілей, з іншими речами, рівень вібрацій може відрізнятись від зазначеного. У цих випадках рівень впливу може значно зрости в рамках загального періоду роботи.

Для точної оцінки впливу вібрацій, під час певного періоду роботи необхідно враховувати проміжки часу, в які електроінструмент вимкнено, або хоча і включений, але фактично не використовується. Це може істотно скоротити вплив вібрацій протягом всього періоду роботи.

Зберігайте електроінструмент і його речі в гарному стані. Під час роботи намагайтеся зберігати руки теплими - це допоможе зменшити шкідливий вплив при роботі з підвищеною вібрацією.

III - Загальні вказівки з безпеки при роботі з електроприладами



ЗАСТЕРЕЖЕННЯ! Прочитайте всі **ЗАСТЕРЕЖЕННЯ** і вказівки з безпеки. Недодержання попереджень і вказівок з безпеки може призвести до ураження електричним струмом, пожежі та / або важкого поранення.

Збережіть всі застереження та вказівки для подальшого використання.

Термін "електроприлад" у всіх зазначених нижче застереженнях стосується вашого електроприладу, з живленням від мережі (з кабелем), та / або електроприладу з живленням від акумуляторної батареї (без кабелю).

1. БЕЗПЕКА РОБОЧОГО МІСЦЯ

- Утримайте робоче місце в чистоті і добре освітленим. Безлад і недостатнє освітлення є передумовою виникнення трудових інцидентів.
- Не працюйте з електроприладами у вибухонебезпечній атмосфері при наявності займих рідин, газів або пилу. Електроприлади створюють іскри, що можуть займати пил або пари.
- Тримайте дітей та сторонніх осіб на відстані, коли працюєте з електроприладом. Розсіювання уваги може призвести до втрати контролю з Вашого боку.

2. ЕЛЕКТРИЧНА БЕЗПЕКА

- Штепселі електроприладів повинні відповідати контактним гніздам. Ніколи не змінюйте штепсель у будь-який спосіб. Не використовуйте будь-які адаптерні штепселі для електроприладів із захисним заземленням. Використання оригінальних штепселів і відповідних їм контактів зменшує ризик удару електричним струмом.
- Уникайте дотику тіла з землею або заземленими поверхнями, такими як труби, радіатори, кухонні плити та холодильники. Якщо ваше тіло заземлене, існує підвищений ризик ураження електричним струмом.
- Не залишайте електроприлади під дощем або у вологому середовищі. Проникнення води в електроприлади підвищує ризик ураження електричним струмом.
- Використовуйте кабелі за призначенням. Ніколи не використовуйте кабель для перенесення електроприладу, натягування або відключення штепселя з контактної гнізда. Тримайте кабель далеко від тепла, олії, гострих кутів, що рухаються. Пошкоджені або залупані кабелі підвищують ризик поразок електричним струмом.
- Під час зовнішніх робіт використовуйте по-

довжувач, що підходить для цих цілей. Використання подовжувача, призначеного для зовнішніх робіт, зменшує небезпеку від ураження електричним струмом.

- У випадку, якщо робота з електроприладом у вологому середовищі неминуча, використовуйте запобіжний пристрій, який робить на залишковому струмі для переривання подачі струму. Використання запобіжного пристрою зменшує ризик ураження електричним струмом.

3. ОСОБИСТА БЕЗПЕКА

- Будьте пильні, працюйте з підвищеною увагою і проявляйте розсудливість, коли працюєте з електроприладом. Не використовуйте електроприлад, коли ви стомлені, або під впливом наркотиків, алкоголю, медикаментів, тощо. Одна мить неухвилю при роботі з електроприладом може призвести до серйозної виробничої травми.
- Використовуйте індивідуальні засоби захисту. Носіть завжди захисні окуляри. Індивідуальні засоби захисту, такі як маска проти пилу, неслизьке взуття, захисний шолом або засоби для захисту слуху, що використовуються в конкретних умовах, знижують ризик виникнення виробничих травм.
- Уникайте мимовільного пуску інструменту. Переконайтеся, що вимикач знаходиться в положенні "вимкнено" перед включенням в джерело живлення та / або акумуляторної батареї, перед тим, візьмете в руки або перенесите. Носіння електроприладу з пальцем на вимикачі або підключення до джерела живлення електроінструменту з вимикачем у включеному положенні є передумовою для виробничої травми.
- Видаліть кожен гайковий ключ перед включенням електроприладу. Ключ для затягування або зайковий ключ, прикріплений до частини електроприладу, що обертається, може призвести до трудового інциденту.
- Не простягайтеся занадто. Підтримуйте правильне положення і рівновагу протягом всієї роботи. Це дозволить краще керувати електроприладом у несподіваних ситуаціях.
- Носіть придатний одяг. Не носіть широкий одяг або прикраси. Тримайте своє волосся, одяг і рукавички далеко від рухомих частин. Широкий одяг, біжутерія та довге волосся можуть потрапити в рухоми частини.
- Якщо електроприлад має пристосування для пилу, переконайтеся, що воно правильно встановлено і правильно використовується. Використання цих пристроїв може знизити пов'язані з пилом небезпеки.

4. ЕКСПЛУАТАЦІЯ І ДОГЛЯД ЗА ЕЛЕКТРОПРИЛАДАМИ

- Не перевантажуйте електроприлад. Використовуйте правильно вибраний електроприлад згідно з його призначенням. Правильно підібраний електроприлад працює краще і безпечніше

для оголошеного режиму роботи, для якого він спроектований.

- b) Не використовуйте електроприлад у випадку, якщо вимикач не переходить у включену і виключену позицію. Кожен електроприлад, який не може управлятися за допомогою вимикача, є небезпечним і підлягає ремонту.
- c) Вимкніть штепсель від електромережі перед тим, як почати будь-які налаштування, перед заміною приладдя або перед тим, як прибрати електроприлад для зберігання. Ці запобіжні заходи знижують ризик мимовільного пуску електроприладу.
- d) Зберігайте невикористані електроприлади в місцях, недоступних для дітей, і не дозволяйте користуватися ним обслуговуючому персоналу, який не знайомий з електроприладом або інструкціями з експлуатації. Електроприлади є небезпечними в руках ненавчених споживачів.
- e) Перевіряйте електроприлади. Перевіряйте, чи працюють нормально і рухаються вільно рухомі частини, чи знаходяться в цілості і справності усі частини, а також перевіряйте всі інші обставини, які можуть негативно вплинути на роботу електроприладу. У разі ушкодження електроприлад необхідно відремонтувати перед його подальшим використанням. Багато інцидентів заподіюються у випадку поганого обслуговування електроприладів.
- f) Підтримуйте ріжучі інструменти гострими і чистими. Правильно підтримані ріжучі інструменти з гострими кутами рідше блокуються і простіше управляються.
- g) Використовуйте електроприлад, приналежності (комплектуючі) і частини інструменту і т.д. відповідно до цих інструкцій та у засіб, передбачений для конкретного типу електроприладу, маючи на увазі робочі умови і роботу, яку необхідно виконувати. Використання електроприладу для роботи не за призначенням може призвести до небезпечної ситуації.

5. ТЕХНІЧНЕ ОБСЛУГОВУВАННЯ

- a) Ремонтуйте ваш електроприлад у кваліфікованого фахівця з ремонту, при цьому використовуйте тільки оригінальні запасні частини. Це забезпечує безпеку електроприладу.

IV - Додаткові правила техніки безпеки під час використання ударних шуруповертів

- Користуйтеся засобами захисту слуху під час використання ударних дрелів. Інтенсивний шум під час роботи може пошкодити слух.
- У разі наявності небезпеки контакту свердла з прихованою електропроводкою, тримайте електрострум тільки за ізольовані поверхні. Кон-

такт свердла з електропроводкою під напругою передасть електронапругу на відкриті металеві частини електроінструменту, й оператор отримає ураження електричним струмом.

- Електроінструмент завжди знаходиться у робочому стані без необхідності підключення в електричну мережу. Під час монтажу або демонтажу батареї вимикач завжди необхідно встановлювати у позицію ВИМКНЕНО.

V - Додаткові правила роботи зарядного пристрою

- Перед тим, як розпочати використання зарядного пристрою, ознайомтеся із усіма інструкціями і попередженнями, що стосуються інструменту і комплекту батарей, а також інструкцій із використання батарей.
- Заряджайте батареї тільки у закритих приміщеннях, тому що пристрій для підзарядки призначений тільки для застосування у закритих приміщеннях.



ЗАСТЕРЕЖЕННЯ: Якщо батарея пошкоджена, не вставляйте її у зарядний пристрій - існує небезпека ураження електричним струмом.



ЗАСТЕРЕЖЕННЯ: Не допускайте попадання води у зарядний пристрій. Існує небезпека ураження електричним струмом.

- Пристрій для підзарядки призначений для роботи тільки з батареєю SPARKY, включеної у комплект поставки. Використання інших батарей може нести ризик виникнення пожежі або удару електричним струмом.
- Пристрій для підзарядки і батарея, що входить у комплект поставки використовуються спеціально для спільного використання. Не заряджайте батарею за допомогою іншого пристрою для підзарядки.
- Не розташовуйте на пристрої для підзарядки сторонні предмети, оскільки це може привести до перегріву. Не залишайте пристрій для підзарядки поблизу джерел тепла.
- Не тягніть за шнур пристрою для підзарядки для вимкнення його з мережі.
- Переконайтеся у тому, що шнур пристрою для підзарядки розташований так, щоб на нього неможливо було наступити, спіткнутися, пошкодити або піддати механічним навантаженням.
- Не використовуйте подовжувачі, якщо це не вкрай необхідно. Використання невідповідного подовжувача може створити небезпеку виникнення пожежі або удару електричним струмом.
- Не використовуйте пристрій для підзарядки, якщо його сильно вдарено, він впав або його по-

шкоджено будь-яким шляхом. Не використовуйте зарядний пристрій у випадку, якщо його шнур або штепсель пошкоджені - їх необхідно негайно замінити. Зверніться по допомогу у спеціалізовану ремонтну майстерню.

- Заміну пошкодженого кабелю повинен здійснювати тільки виробник або фахівець спеціалізованої майстерні, щоб уникнути ризиків.
- Не розбирайте пристрій для підзарядки. Для виконання ремонту звертайтеся у спеціалізовану майстерню. Неправильна повторна збірка може бути небезпечною через загоряння або удару електричним струмом.
- Щоб уникнути небезпеки удару електричним струмом, перед тим як розпочати чистення, вимкніть пристрій для підзарядки з електричної мережі. Зняття батареї само по собі не знижує цей ризик.
- Ніколи не намагайтеся з'єднати послідовно два пристрої для підзарядки.
- Цей пристрій призначений для підключення у стандартну електричну мережу напругою 220-240V. Не підключайте пристрій для підзарядки в електричну мережу з іншою напругою.
- У разі необхідності зарядити іншу батарею, вимкніть пристрій для підзарядки з електричної мережі, почекайте поки він охолоне протягом 15 хвилин, після чого можете заряджати наступну батарею
- У певних умовах, якщо пристрій для підзарядки включено в електричну мережу, чужорідні тіла, що потрапили на відкриті контакти можуть викликати коротке замикання. Матеріали - провідники, такі як (і не тільки) сталева вата, фольга, або будь-який інший матеріал, що містить металеві частинки, необхідно зберігати далеко від отворів пристрою для підзарядки. Завжди, коли у пристрій для підзарядки не вставлена батарея, його необхідно вимикати з електричної мережі.
- Не заморозуйте і не занурюйте пристрій для підзарядки у воду або іншу рідину.

VI - Додаткові правила роботи батарей

- Батарея для цього електроінструменту поставляється не до кінця зарядженою. Батарею необхідно повністю зарядити перед тим, як розпочати роботу.



ЗАСТЕРЕЖЕННЯ: Якщо батарея тріснула або вона пошкоджена іншим чином, не вставляйте її у пристрій для підзарядки. Існує небезпека ураження електричним струмом.

- Максимальна тривалість використання та ек-

сплуатаційні якості можуть бути досягнуті в умовах, за яких батарея заряджається при температурі повітря 18°C-24°C. Не заряджайте батарею при температурі повітря нижче +4°C або вище +40°C. Це має велике значення, й є передумовою запобігання серйозних ушкоджень батареї.

- Під час заряджання пристрій і батарея можуть нагрітися. Це нормально, і не є показником наявності проблеми.
- Щоб уникнути перегріву, не заряджайте батареї під прямим сонячним світлом у жаркий час, або поблизу джерел тепла.
- Не заряджайте у кабіні або резервуарі. Під час заряджання батарея повинна знаходитися у добре провітрюваному приміщенні.
- З дефектної батареї на сусідні деталі може потрапити електроліт. Перевірте сусідні деталі, очистіть їх, а у разі необхідності замініть.
- Якщо батарея не заряджається нормально:
 - (1) Перевірте наявність напруги у розетці за допомогою лампи або фазоміра.
 - (2) Встановіть пристрій для підзарядки з батареєю в місце, де температура повітря становить приблизно 18 °C-24 °C.
 - (3) Якщо незважаючи на це виникає проблема при заряджанні, віднесіть або надішліть електроінструмент з батареєю і пристроєм для підзарядки у місцевий сервісний центр.
- Батарею необхідно зарядити тоді, коли вона переставє забезпечувати достатню потужність під час операцій, які раніше здійснювалися легко. В цьому випадку слід ПРИПИНИТИ РОБОТУ. Почніть заряджання.
- Не спалюйте батареї, навіть якщо вони сильно пошкоджені або більше не можуть заряджатися. Батареї можуть вибухнути у вогні.
- Для прискорення охолодження батареї після використання, у жаркий час не використовуйте пристрій для підзарядки або батарею під металевим навісом або у металевому приміщенні без теплової ізоляції.



ЗАСТЕРЕЖЕННЯ: Ніколи не намагайтеся розкрити батарею з якоїсь причини. Якщо пластмасовий корпус батареї зламаний, або тріснув, утилізуйте батарею.

ПЕРЕД ТИМ, ЯК ЗАРЯДИТИ БАТАРЕЮ ВАШОГО ЕЛЕКТРОІНСТРУМЕНТУ, ПРОЧИТАЙТЕ ВСІ ІНСТРУКЦІЇ, ПРЕДСТАВЛЕНІ У РОЗДІЛІ ПРИЛАДДА ДЛЯ ПІДЗАРЯДКИ.

- Завжди використовуйте відповідну батарею SPARKY (що входить у комплект поставки або таку ж запасну батарею). Ніколи не вставляйте ніякі інші батареї. Це небезпечно, і призведе до поломки електроінструменту.
- Заряджайте батареї тільки за допомогою пристрою SPARKY.

- Не викидайте батареї разом із побутовими відходами. Батареї слід окремо передавати в утилізацію згідно з вимогами по охороні навколишнього середовища

МОНТАЖ І ДЕМОНТАЖ БАТАРЕЇ

Демонтаж батареї: натисніть кнопку для звільнення батареї (9), і вийміть її з корпусу електроінструменту.



ЗАСТЕРЕЖЕННЯ: Завжди встановлюйте перемикач зміни напрямку обертання (4) у середню позицію перед тим, як виконувати будь-які дії з електроінструментом, наприклад, монтаж і підзарядку батареї, заміну наконечника, перенесення, обслуговування чи зберігання електроінструменту.

Монтаж батареї: Вставте батарею (10) в отвір в основі електроінструменту під кнопкою (9) до звуку характерного клацання.

ЗАРЯДЖАННЯ БАТАРЕЇ

Увімкніть штепсель пристрої для підзарядки (12) в електричну розетку. Індикатор пристрої для підзарядки (11) послідовно світить зеленим, червоним і жовтим світлом протягом 1 секунди, після чого вмикається режим очікування.

Вставте батарею (10) у гніздо пристрою для підзарядки, з урахуванням положення полюсів.

Нові батареї працюють повноцінно після 5 циклів заряджання/розряджання. Невживані тривалий час батареї слід зарядити і розрядити 2-3 рази, поки вони почнуть працювати добре.

Якщо час використання батареї значно скоротився, незалежно від повної підзарядки, ймовірно термін життя батареї вичерпано. Необхідно негайно замінити батарею.



ЗАСТЕРЕЖЕННЯ: Батарея повністю заряджається приблизно за одну годину. Після закінчення часу вийміть батарею з пристрою для підзарядки.

1) Індикації:

Мерехтливе зелене світло: перед тим, як вставити батарею

Червоне світло: під час заряджання батареї

Зелене світло: підзарядка завершена

Мерехтливе червоне світло: режим очікування (батарея перегрілася)

Мерехтливе жовте світло: заряджання неможливе.

2) Під час спроби зарядити батарею, що перегрілася відразу ж після вживання, або після підзарядки, індикатор починає мерехтати червоним світлом (режим очікування). Для зниження температури

батареї автоматично включається вентилятор пристрою для підзарядки. Після охолодження батареї припиняється мерехтіння і індикатор починає горіти червоним світлом постійно.

3) Пристрій для підзарядки враховує рівень підзарядки батареї, і при не до кінця зарядженій батареї, переходить у режим додаткової підзарядки і підтримки батареї у зарядженому стані.

РЕКОМЕНДАЦІЇ ПО ПРОДОВЖЕННЮ ЖИТТЯ БАТАРЕЇ

- Не заряджайте батарею повторно після короткого періоду роботи, це може скоротити тривалість роботи і потужність батареї.
- Під час простоїв тримайте батарею далеко від скріпок, монет, ключів, цвяхів, шурупів й інших дрібних металевих предметів, які можуть викликати коротке замикання, що може викликати пожежу або вибух.
- Завжди вимикайте пристрій для підзарядки з електричної розетки під час простоїв. Зберігайте пристрій у сухому і безпечному місці.
- Не заряджайте батареї і не зберігайте пристрій для підзарядки в приміщеннях, в яких температура може знизитися нижче 0°C, або перевищити +40°C.

ІНДИКАТОР СТАНУ БАТАРЕЇ

Стан батареї під час роботи контролюється світлодіодним індикатором (7). Для активації індикатора, натисніть кнопку індикатора (8). (Рис.1)

1. Батарея заряджена на 70 - 100%
2. Батарея заряджена на 30 - 69%
3. Батарея заряджена менше ніж на 30%
4. Батарея повністю розряджена

VII - Ознайомлення з електроінструментом

Перед тим, як розпочати використання електроінструменту, ознайомтеся із усіма його оперативними особливостями та умовами техніки безпеки.

Використовуйте електроінструмент і його комплектуючі тільки за призначенням. Будь-яке інше використання категорично заборонено.

1. Блокувальна втулка
2. Гніздо наконечника
3. Світлодіодне освітлення
4. Перемикач зміни напрямку обертання
5. Вимикач
6. Кнопка світлодіодного освітлення
7. Світлодіодний індикатор батареї
8. Кнопка світлодіодного індикатора для батареї
9. Кнопка звільнення батареї
10. Акумуляторна батарея
11. Світлодіодний індикатор пристрою для підзарядки
12. Пристрій для підзарядки

VIII - Вказівки по роботі

СВІТЛОДІОДНЕ ОСВІТЛЕННЯ РОБОЧОЇ ЗОНИ

Електроінструмент забезпечений світлодіодним освітленням (3) для покращення освітлення зони робіт у затемнених місцях. Для того, щоб включити або виключити додаткове освітлення, натисніть кнопку (6). Світлодіодне освітлення робочої зони вмикається автоматично після 10-хвилинної роботи.

НАСТРОЙКА НАПРЯМКУ ОБЕРТАННЯ

Крайня права позиція важеля (4) (вид ззаду) відповідає обертанню проти годинникової стрілки, а крайня ліва позиція - за годинниковою стрілкою. У разі натискання на вимикач (5) важіль (4) не блокується. (Рис.2)



ЗАСТЕРЕЖЕННЯ: Змінювати напрямку обертання слід тільки при зупиненому шпинделі.

Закручування шурупів здійснюється при встановленому у крайню ліву позицію перемикачі. Відкручування шурупів здійснюється при перемикачі, встановленому у крайню праву позицію.

ПУСК - ЗУПИНКА

Пуск: натиснути на вимикач (5)

Зупинка: вивільнити вимикач (5)

Електроінструмент забезпечений гальмом. Шпиндель припиняє обертання відразу ж після повного звільнення важеля вимикача.

ЕЛЕКТРОННЕ РЕГУЛЮВАННЯ ОБЕРТВІВ

Легке натиснення вимикача (5) приводить електроінструмент у дію на низьких оборотах, які плавно збільшуються до максимальних по мірі збільшення натискання вимикача до упору.

РОБОТА ЕЛЕКТРОІНСТРУМЕНТА

Ударна дія включається під навантаження, що перевищує заданий рівень. Натискання вимикача на неробочому ході призводить лише до змін швидкості обертання (обертів).

Момент затягування залежить від тривалості ударної дії. Зазвичай максимальний момент затягування настає через наступних 3 - 10 секунд роботи в ударному режимі. Після цього момент затягування збільшується незначно. Тривала робота в ударному режимі може призвести до пошкодження або виходу з ладу електродвигуна.

Момент затягування залежить від довжини, класу і діаметра шурупа, від твердості матеріалу (дерево, метал, тощо) в який загвинчується гвинт і від виду використовуваної шайби. Використовуйте електроінструмент після того, як ви уважно оцінили необхід-

ний час ударної дії, виконавши пробне затягування і замірявши показник моменту за допомогою динамометричного ключа.



ЗАСТЕРЕЖЕННЯ: Електроінструмент з несправним перемикачем небезпечний, і перед використанням його необхідно відремонтувати.

МОНТАЖ І ДЕМОНТАЖ НАКОНЕЧНИКА (РИС. 3)



ЗАСТЕРЕЖЕННЯ: Вийміть батарею або встановіть перемикач зміни напрямку обертання (6) у середню (нейтральну) позицію.

Монтаж наконечника:

1. Натисніть вперед втулку, що блокує (1).
2. Вставте наконечник у шестигранне гніздо (2).
3. Звільніть втулку, що блокує і вона повернеться у вихідне положення, в якому захоплюється наконечник.



ЗАСТЕРЕЖЕННЯ: Якщо блокуюча втулка не повертається у вихідне положення, наконечник вставлений неправильно.

Демонтаж наконечника:

Натисніть вперед втулку, що блокує, утримуючи її у цьому положенні до тих пір, поки наконечник буде вийнято.

ЗАКРУЧУВАННЯ / ВІДКРУЧУВАННЯ ШУРУПІВ

Вставте підходящий для шурупа наконечник, налаштуйте його у проріз голівки шурупа і затягніть. Прикладіть до електроінструменту поздовжній натиск, необхідний для утримування головки шурупа.



ЗАСТЕРЕЖЕННЯ: Занадто щільне закручування може призвести до поломки шурупа або пошкодження наконечника.

- Під занадто тривалого затягування шуруп може зламатися.
- Якщо утримувати інструмент під кутом до шурупа, можна пошкодити головку шурупа, або ж момент обертання не буде повністю переданий шурупу.

IX - Обслуговування



ЗАСТЕРЕЖЕННЯ: Завжди встановлюйте перемикач зміни напрямку обертання (4) у середнє положення перед тим, як розпочати будь-яке обслуговування, наприклад, монтаж і підзарядку батареї, зміну наконечника, перенесення, огляд або зберігання електроінструменту.

Регулярно перевіряйте, наскільки міцно закручені гвинти корпусу. В процесі використання вони можуть розкритися через вібрації.
Регулярно змащуйте всі рухомі частини.

ВИДАЛЕННЯ ЗАБРУДНЕНЬ

Для забезпечення безпечної роботи, завжди підтримуйте електроінструмент і його вентиляційні отвори у чистоті.

Регулярно перевіряйте вентиляційну решітку в області електродвигуна або перемикачів на наявність пилу або чужорідних тіл. Видаляйте пил за допомогою м'якої щітки. Щоб вберегти очі, у процесі чищення користуйтеся захисними окулярами.

Забруднення з корпусу машини слід видаляти м'якою вологою серветкою. Можна використовувати слабкий миючий засіб.



ЗАСТЕРЕЖЕННЯ: Не допускається застосування спирту, бензину або інших розчинників. Нікогда не використовуйте їдкі препарати для чищення пластмасових частин.



ЗАСТЕРЕЖЕННЯ: Не допускайте контакту і попадання води в електроінструмент.

Інструкції з видалення забруднень із пристрою для підзарядки:

- Забруднені і жирні зовнішні частини пристрою для підзарядки видаляються серветкою або м'якою неметалевою щіткою. Не використовуйте для цього воду та розчини, що чистять

ВАЖЛИВО! Для забезпечення безпечного використання електроінструменту і його надійності, будь-яку діяльність із ремонту, обслуговування та налаштування необхідно здійснювати у спеціалізованих майстернях SPARKY, використовуючи лише оригінальні запасні частини.

X - Гарантія

Гарантійний термін електроприладів SPARKY вказаний в гарантійній карті

Несправності, що з'явилися в результаті природного зношування, перевантаження або неправильного користування, не входять до гарантійних зобов'язань.

Несправності, що з'явилися внаслідок застосування неякісних матеріалів та / або через виробничі помилки, усуваються без додаткової оплати шляхом заміни або ремонту.

Рекламації дефектного електроприладу SPARKY приймаються у тому випадку, якщо прилад буде повернуто постачальнику, або спеціалізованому гарантійного сервісу в не розібраному (початковому) стані.

Примітки

Уважно прочитайте всю інструкцію з експлуатації, перед тим, як приступити до використання виробу.

Виробник зберігає за собою право вносити у свої вироби поліпшення і зміни, а також змінювати специфікації без застереження.

Специфікації для різних країн можуть відрізнятися.

Съдържание

I - Въведение	79
II - Технически данни	79
III - Инструкции за безопасност при работа с електроинструменти	81
IV - Допълнителни правила за безопасност за ударни винтоверти	82
V - Допълнителни правила за работа със зарядното устройство	83
VI - Допълнителни правила за работа с батерията	83
VII - Запознаване с електроинструмента	A/86
VIII - Указания за работа	86
IX - Поддръжка.....	87
X - Гаранция.....	88

РАЗПАКОВАНЕ

В съответствие с общоприетите технологии на производство е малко вероятно новопридобитият от Вас електроинструмент да е неизправен или някоя от частите му да липсва. Ако забележите, че нещо не е наред, не работете с електроинструмента докато повредената част не се смени или дефектът не бъде отстранен. Неизпълнението на тази препоръка може да доведе до сериозна трудова злополука.

СГЛОБЯВАНЕ

Акумулаторният ударен винтоверт GUR 15Li HD се доставя опакован и напълно сглобен

I - Въведение

Новопридобитият от Вас електроинструмент SPARKY ще надхвърли Вашите очаквания. Той е произведен в съответствие с високите стандарти на качеството на SPARKY, отговарящи на строгите изисквания на потребителя. Лесен за обслужване и безопасен при експлоатация, при правилна употреба този електроинструмент ще Ви служи надеждно дълги години.



ПРЕДУПРЕЖДЕНИЕ!

Внимателно прочетете цялата инструкция за експлоатация преди да използвате новопридобития си електроинструмент SPARKY. Обърнете специално внимание на текстовете, които започват с думата “Предупреждение”. Вашият електроинструмент SPARKY притежава много качества, които ще улеснят Вашата работа. При разработката на този електроинструмент най-голямо внимание е обърнато на безопасността, експлоатационните качества и надеждността, които го правят лесен за поддръжка и експлоатация.



Не изхвърляйте електроинструменти заедно с битовите отпадъци!

Отпадъците от електрически изделия не трябва да се събират заедно с битовите отпадъци. Моля, рециклирайте на местата, предназначени за това. Свържете се с местните власти или представителят за консултация относно рециклирането.

ОПАЗВАНЕ НА ОКОЛНАТА СРЕДА



С оглед опазване на околната среда електроинструментът, принадлежностите и опаковката трябва да бъдат подложени на подходяща преработка за повторно използване на съдържащите се в тях суровини. За облекчаване на рециклирането детайлите, произведени от изкуствени материали, са обозначени по съответния начин.

ОПИСАНИЕ НА СИМВОЛИТЕ

Върху табелката с данни на електроинструмента са означени специални символи. Те предоставят важна информация за изделието или инструкции за неговото ползване.



Двойна изолация за допълнителна защита



Съответства на приложимите европейски директиви.



Съответства на изискванията на руските нормативни документи



Съответства на изискванията на украинските нормативни документи



Запознайте се с инструкцията за използване

YYYY-Www

Период на производство, където променливи символи са:
YYYY - година на производство, ww - поредна календарна седмица

GUR

АКУМУЛАТОРЕН УДАРЕН ВИНТОВЕРТ

II - Технически данни

Модел	GUR 15Li HD
▪ Напрежение	14.4 V
▪ Скорост на празен ход	0–2400 min ⁻¹
▪ Честота на ударите	0–3200 min ⁻¹
▪ Максимален въртящ момент	145 Nm
▪ Гнездо за накрайници	¼" (6.35 mm) ○
▪ Макс. диаметър на	
- Машинен винт	M4–M8
- Винт с общо предназначение	M5–M12
- Високоякостен винт	M5–M10
▪ Електронно регулиране на оборотите, плав - десен ход	Да
▪ Електрическа спирачка	Да
▪ Светодиодна индикация за зареждане	Да
▪ Тегло (ЕРТА процедура 01/2003)	
- с батерия 1.5Ah	1.3 kg
- с батерия 2.6/3.0Ah	1.4 kg

ИНФОРМАЦИЯ ЗА ШУМ И ВИБРАЦИИ (стойностите са измерени съгласно EN 60745)

▪ Излъчване на шум:	
А-претеглено ниво на звуково налягане L _{рА}	90 dB(A)
Неопределеност K _{рА}	3 dB
А-претеглено ниво на звукова мощност L _{wА}	101 dB(A)
Неопределеност K _{wА}	3 dB



Използвайте средства за защита от шума!

▪ Излъчване на вибрации*	
Обща стойност на вибрациите (векторна сума по трите оси), определена съгласно EN 60745:	
Стойност на излъчените вибрации a _{h,D}	15 m/s ²
Неопределеност K _{h,D}	1.5 m/s ²
* Вибрациите са определени съгласно т. 6.2.7 на EN 60745-1.	

БАТЕРИЯ (Li-Ion):

▪ Напрежение	14.4 V
▪ Капацитет	1.5 / 2.6 / 3.0 Ah
▪ Тегло	0.3 / 0.5 / 0.5 kg

ЗАРЯДНО УСТРОЙСТВО

▪ На входа:	
Напрежение / честота	230V ~50Hz
Консумирана мощност	60 VA
▪ Изходящо напрежение / ток	14.4V / 2.6A
▪ Време за зареждане - батерия 1.5Ah	30 min
- батерия 2.6/3.0Ah	60 min
▪ Тегло	0.6 kg

Посоченото в тази инструкция ниво на вибрации е измерено в съответствие с методиката за изпитване, указана в EN 60745 и може да се използва за сравняване на електроинструменти. Нивото на вибрации може да се използва за предварителна оценка на степента на въздействие.

Декларираното ниво на вибрации се отнася за основното предназначение на електроинструмента. В случаите, при които електроинструментът се използва за друго предназначение, с други принадлежности или ако електроинструментът не се поддържа добре, нивото на вибрации може да различава от посоченото. В тези случаи нивото на въздействие може значително да нарасне в границите на общия период на работа.

При оценката на нивото на въздействие на вибрации трябва също да се отчита времето, през което електроинструментът е изключен или е включен, но не се използва. Това може значително да понижи нивото на въздействие в границите на общия период на работа.

Поддържайте електроинструмента и принадлежностите в добро състояние. Пазете ръцете си топли по време на работа - това ще намали вредното въздействие при работа с повишени вибрации.

III - Общи указания за безопасност при работа с електроинструменти



ПРЕДУПРЕЖДЕНИЕ! Четете всички предупреждения и указания за безопасност. Неспазването на предупрежденията и указанията за безопасност може да предизвика поражение от електрически ток, пожар и/или сериозно нараняване.

Запазете всички предупреждения и указания за бъдещо ползване.

Терминът "електроинструмент" във всички описани по-долу предупреждения се отнася до вашия електроинструмент, захранван от мрежата (с шнур) и/или електроинструмент, захранван от акумулаторна батерия (без шнур).

1. БЕЗОПАСНОСТ НА РАБОТНОТО МЯСТО

- Поддържайте работното място чисто и добре осветено. Безпорядъкът и недостатъчното осветление са предпоставка за трудови злополуки.
- Не работете с електроинструменти в експлозивни атмосфери при наличие на запалими течности, газове или прах. Електроинструментите образуват искри, които могат да възпламят праха или парите.
- Дръжте децата и страничните лица на разстояние, когато работите с електроинструмент. Разсейването може да доведе до загуба на контрол от Ваша страна.

2. ЕЛЕКТРИЧЕСКА БЕЗОПАСНОСТ

- Щепселите на електроинструментите трябва да съответстват на контактите. Никога не променяйте щепсела по какъвто и да било начин. Не използвайте каквито и да са адаптерни щепсели за електроинструменти със защитно заземяване. Употребата на непроменени щепсели и съответстващите им контакти намалява риска за поражение от електрически ток.
- Избягвайте допир на тялото до земя или до заземени повърхности, такива като тръби, радиатори, кухненски печки и хладилници. Ако тялото ви е заземено, съществува повишен риск от поражение от електрически ток.
- Не излагайте електроинструментите на дъжд или във влажна среда. Проникването на вода в електроинструмента повишава риска от поражение от електрически ток.
- Използвайте шнура по предназначение. Никога не използвайте шнура за носене на електроинструмента, опъване или изваждане на щепсела от контактното гнездо. Дръжте

шнура далече от топлина, масло, остри ръбове или движещи се части. Увередени или оплетени шнурове повишават риска за поражение от електрически ток.

- При работа с електроинструмента на открито, използвайте удължител, подходящ за работа на открито. Използването на удължител, подходящ за работа на открито, намалява риска от поражение от електрически ток.
- Ако работата с електроинструмента във влажна среда е неизбежна, използвайте предпазно устройство, задействано от остатъчен ток, за прекъсване на захранването. Използването на предпазно устройство намалява риска от поражение от електрически ток.

3. ЛИЧНА БЕЗОПАСНОСТ

- Бъдете бдителни, работете с повишено внимание и проявявайте благоразумие, когато работите с електроинструмент. Не използвайте електроинструмента, когато сте уморени или под влияние на наркотици, алкохол или медикаменти. Момент на невнимание при работа с електроинструмент може да предизвика сериозна трудова злополука.
- Използвайте лични предпазни средства. Носете винаги средства за защита на очите. Лични предпазни средства, като маска против прах, неплъзгащи се безопасни обувки, защитен шлем или средства за защита на слуха, използвани при конкретните условия, намаляват риска от трудови злополуки.
- Избягвайте неволно пускане. Убедете се, че прекъсвачът е в изключено положение преди включване към източник на захранване и/или акумулаторна батерия, преди да го вземете или пренасяте. Носенето на електроинструмент с пръст върху прекъсвача или свързването към източник на захранване на електроинструмент с прекъсвач във включено положение е предпоставка за трудова злополука.
- Отстранете всеки ключ за затягане или гаечен ключ преди включване на електроинструмента. Ключ за затягане или гаечен ключ, прикрепен към въртяща се част на електроинструмента, може да предизвика трудова злополука.
- Не се пресягайте. Поддържайте правилен строеж и равновесие през цялото време. Това позволява по-добро управление на електроинструмента при неочаквани ситуации.
- Носете подходящо работно облекло. Не носете широки дрехи или бижута. Дръжте косите си, дрехите и ръкавиците далеч от движещи се части. Широки дрехи, бижута или дълги коси могат да се захванат от движещи се части.
- Ако електроинструментът е снабден с приспособления за засмукване и улавяне на прах,

убедете се, че те са свързани и правилно използвани. Използването на тези устройства може да намали свързаните с прах опасности.

4. ИЗПОЛЗВАНЕ И ГРИЖИ ЗА ЕЛЕКТРОИНСТРУМЕНТИТЕ

- a) Не претоварвайте електроинструмента. Използвайте правилно избрания електроинструмент според приложението. *Правилно избраният електроинструмент работи по-добре и по-безопасно при обявения режим на работа, за който е проектиран.*
- b) Не използвайте електроинструмента, ако прекъсвачът не превключва във включено и изключено положение. *Всеки електроинструмент, който не може да бъде управляван с прекъсвач, е опасен и трябва да бъде ремонтиран.*
- c) Разединете щепсела от захранващата мрежа преди да извършите всякакви настройки, преди замяна на принадлежности или преди да приберете електроинструмента за съхранение. *Тези предпазни мерки за безопасност намаляват риска от неволно пускане на електроинструмента.*
- d) Съхранявайте неизползваните електроинструменти на места, недостъпни за деца и не позволявайте на обслужващи лица, които не познават електроинструмента или не са запознати с тези инструкции, да работят с него. *Електроинструментите са опасни в ръцете на необучени потребители.*
- e) Поддържайте електроинструментите. Проверявайте движещите се части дали функционират нормално и се движат свободно, целостта и изправността на частите, както и за всякакво друго обстоятелство, което може неблагоприятно да повлияе на работата на електроинструмента. *Ако е повреден, електроинструментът трябва да бъде ремонтиран преди по-нататъшно използване. Много злополуки са причинени от лошо поддържани електроинструменти.*
- f) Поддържайте режещите инструменти остри и чисти. *Правилно поддържаните режещи инструменти с остри режещи ръбове е по-малко вероятно да блокират и са по-лесни за управление.*
- g) Използвайте електроинструмента, принадлежностите и частите на инструмента и т.н. в съответствие с тези инструкции и по начин, предвиден за конкретния тип електроинструмент, като вземате предвид работните условия и работата, която трябва да се извършва. *Използването на електроинструмента за работа, различна от тази, за която е проектиран, може да предизвика опасна ситуация.*

5. ОБСЛУЖВАНЕ

- a) Поддържайте вашия електроинструмент при квалифициран специалист по ремонта, като използвате само оригиналните резервни части. *Това осигурява запазването на безопасността на електроинструмента.*

IV - Допълнителни правила за безопасност за ударни винтоверти

- Използвайте средства за защита на слуха при работа с ударни винтоверти. *Интензивният шум по време на работа може да предизвика слухови увреждания.*
- Дръжте електроинструмента за изолираните повърхности за захващане при изпълняване на операция, при която е възможно завиваният винт да се допре до скрита електроинсталация. Допирът до проводник под напрежение ще постави под напрежение металните части на електроинструмента и ще предизвика токов удар върху оператора.
- Трябва да осъзнаете, че този електроинструмент винаги е в работно състояние, защото не е необходимо да бъде включен в мрежата. Винаги поставяйте прекъсвача в положение ИЗКЛЮЧЕНО, когато поставяте или сваляте батерията.

V - Допълнителни правила за работа със зарядното устройство

- Преди да използвате зарядното устройство, прочетете всички инструкции и предпазни обозначения върху зарядното устройство и батерията, както и самите инструкции за работа с батерията.
- Зареждайте батерии само в закрити помещения, тъй като зарядното устройство е предназначено само за работа на закрито.



ПРЕДУПРЕЖДЕНИЕ: Ако батерията е напукана или повредена по някакъв друг начин, не я поставяйте в зарядното устройство. Съществува опасност от токов удар.



ПРЕДУПРЕЖДЕНИЕ: Не се допуска попадане на каквато и да е течност в контакт със зарядното устройство. Съществува риск от токов удар.

- Зарядното устройство е предназначено да работи само и единствено с батерията SPARKY, влизаща в комплекта на доставката. Всякаква друга

употреба може да създаде опасност от пожар или токов удар.

- Зарядното устройство и доставената с него батерия са предназначени да работят само заедно. Не се опитвайте да зареждате батерията с друго зарядно устройство освен с това, което влиза в доставката.
- Не поставяйте никакви предмети върху зарядно устройство, тъй като това може да предизвика прегряване. Не поставяйте зарядното устройство в близост до какъвто и да било източник на топлина.
- Не издърпвайте шнура на зарядното устройство, за да го изключите от захранващата мрежа.
- Убедете се, че шнурът на зарядното устройство е разположен така, че да не може да бъде стъпкан, да не се препъват в него, да не бъде повреден или подложен на механично натоварване.
- Не използвайте удължители освен ако това е крайно необходимо. Употребата на неподходящ удължител може да създаде опасност от пожар или токов удар.
- Не използвайте зарядното устройство ако е било подложено на силен удар, изтървано или повредено по какъвто и да е било начин. Не работете със зарядното устройство ако неговият шнур или щепсел са повредени - те трябва да бъдат незабавно подменени. Предайте зарядното устройство в оторизиран сервиз за преглед или ремонт.
- Ако захранващият кабел е повреден, замяната трябва да се извърши от производителя или негов сервизен специалист, за да се избегнат опасностите от замяната.
- Не разглобявайте зарядното устройство. При необходимост от ремонт се обърнете към оторизиран сервиз. Неправилното повторно сглобяване може да предизвика опасност от пожар или токов удар.
- За намаляване на опасността от токов удар, изключете зарядното устройство от мрежата преди почистване. Само свалянето на батерията не намалява тази опасност.
- Никога не се опитвайте да свържете заедно две зарядни устройства.
- Това зарядно устройство е предвидено да се захранва от стандартна мрежа за захранване (220–240 V). Не се опитвайте да свържете зарядното устройство към мрежа с друго захранващо напрежение.
- Ако желаете да заредите втора батерия, изключете зарядното устройство от захранващата мрежа и го оставете да се охлади поне за 15 минути. След като това време измине, можете да заредите следващата батерия.
- При определени условия, при зарядно устройство включено в захранващата мрежа, чужд предмет може да предизвика късо съединение между откритите контакти в зарядното устройство. Проводящите материали, например като без с това да се изчерпват всички, са стоманена

вълна, алуминиево фолио, или какъвто и да било друг материал от метални частици, трябва да се държат настрана от кухините на зарядното устройство. Винаги когато в зарядното устройство не е поставена батерия, го изключвайте от захранването. Изключвайте зарядното устройство преди да започнете да го почиствате.

- Не замразявайте и не потапяйте зарядното устройство във вода или друга течност.

VI - Допълнителни правила за работа с батерии

- Батерията за този електроинструмент се доставя не напълно заредена. Батерията трябва да се зареди напълно преди поставяне на работа.



ПРЕДУПРЕЖДЕНИЕ: Ако батерията е напукана или повредена по някакъв друг начин, не я поставяйте в зарядното устройство. Съществува опасност от токов удар.

- Максимална дълготрайност и експлоатационни качества могат да се постигнат ако батерията се зарежда при температура на околната среда между 18°C–24°C. Не зареждайте батерията при температура на околната среда под +4°C или над +40°C. Това има голямо значение и е предпоставка за предотвратяване на сериозни повреди на батерията.
- По време на зареждане зарядното устройство и батерията могат да са топли на допир. Това е нормално и не е показател за наличие на проблем.
- За да се предотврати прегряване, не зареждайте батерии на директна слънчева светлина в горещо време или в близост до източници на топлина.
- Не зареждайте в кабина или резервоар. По време на зареждането батерията трябва да се намира в добре вентилирано помещение.
- При дефектна акумулаторна батерия от нея може да изтече електролит, който да намокри съседните детайли. Проверете съседните детайли и ги почистете или при необходимост ги заменете.
- Ако батерията не се зарежда нормално:
 - (1) Проверете за наличие на напрежение в мрежовия контакт с лампа или фазомер.
 - (2) Преместете зарядното устройство с батерията на място, където температурата на околната среда е приблизително 18°C–24°C.
 - (3) Ако въпреки това има проблем със зареждането, занесете или изпратете електроинструмента с батерията и зарядното устройство в местния сервиз.
- Батерията трябва да се зареди когато престане да произвежда достатъчно мощност за опера-

ци, които преди са били извършвани с лекота. В такъв случай ПРЕУСТАНОВЕТЕ РАБОТА. Започнете процедура за зареждане.

- Не изгаряйте батерии дори ако имат сериозни повреди или вече не могат да бъдат зареджани. Батериите могат да експлодират в огъня.
- За да се улесни охлаждането на батерията след употреба, в горещо време избягвайте използване на зарядното устройство или батерията в метален навес или каравана без топлинна изолация.



ПРЕДУПРЕЖДЕНИЕ: Никога не се опитвайте да отворите батерията по каквато и да било причина. Ако пластмасовия корпус на батерията се счупи или налука, предайте батерията в сервиз за рециклиране.

ПРЕДИ ДА ОПИТАТЕ ДА ЗАРЕДИТЕ БАТЕРИЯТА ЗА СВОЯ ЕЛЕКТРОИНСТРУМЕНТ ПРОЧЕТЕТЕ ВСИЧКИ ИНСТРУКЦИИ В РАЗДЕЛА ЗА ЗАРЯДНОТО УСТРОЙСТВО.

- Винаги използвайте подходяща батерия SPARKY (тази, доставена с електроинструмента или резервна батерия точно като нея). Никога не поставяйте никаква друга батерия. Това ще повреди електроинструмента и може да предизвика опасна ситуация.
- Зареждайте батериите само със зарядни устройства SPARKY.
- Не изхвърляйте батериите заедно с битовите отпадъци. Батериите следва да се събират отделно и да се предават за рециклиране според изискванията за опазване на околната среда.

ПОСТАВЯНЕ И ИЗВАЖДАНЕ НА БАТЕРИЯ

За да извадите батерията: натиснете бутон за освобождаване на батерията (9) и я издърпайте навън от корпуса на електроинструмента.



ПРЕДУПРЕЖДЕНИЕ: Винаги поставяйте превключвателя за смяна посоката на въртене (4) в средно положение преди извършване на каквото и да е дейности по електроинструмента, напр. поставяне и зареждане на батерия, смяна на крайник, пренасяне, обслужване или съхраняване на електроинструмента.

За да поставите батерията: Поставете батерията (10) в отвора на основата на електроинструмента под бутон (9) докато се чуе характерното прищракване.

ЗАРЕЖДАНЕ НА БАТЕРИЯ

Включете щепсела на зарядното устройство (12) в контакта. Индикаторът на зарядното устройство (11) ще премина последователно в зелена, червена и

жълта светлина за 1 секунда, след което ще премине в режим на изчакване.

Поставете батерията (10) в гнездото на зарядното устройство, като отчитате разположението на полюсите.

Новите батерии работят пълноценно след 5 цикъла зареждане/разреждане. Неупотребяваните дълго време батерии трябва да се заредят и разреждат 2-3 пъти докато започнат да работят добре.

Когато времето за използване на батерията намалее значително независимо от пълното ѝ зареждане, вероятно дълготрайността на батерията е изчерпана. Необходимо е батерията веднага да се замени.



ПРЕДУПРЕЖДЕНИЕ: Батерията се зарежда напълно за около 1 час. След като този период от време измине, извадете батерията от зарядното устройство.

1) Индикация при зареждане:

Мигаща зелена светлина: преди поставяне на батерията;

Червена светлина: по време на зареждане на батерията;

Зелена светлина: зареждането е приключило;

Мигаща червена светлина: режим на изчакване (батерията е прегряла);

Мигаща жълта светлина: не е възможно зареждане.

2) При опит да заредите прегряла батерия веднага след употреба или след зареждане, индикаторът започва да мига с червена светлина (режим на изчакване). Автоматично се включва се охлаждащият вентилатор на зарядното устройство, за да намали температурата на батерията. След охлаждане на батерията угасва мигащата червена светлина и индикаторът започва да свети с постоянна червена светлина.

3) Зарядното устройство различава нивото на зареждане на батерията и при почти заредена батерия преминава в режим на дозареждане и поддържане на батерията в заредено състояние.

СЪВЕТИ ЗА ПОСТИГАНЕ ПО-ДЪЛГА ИЗДЪРЖЛИВОСТ НА БАТЕРИИТЕ

- Не зареждайте повторно батерията след кратък период на работа, това може да доведе до съкращаване на продължителността на работа и капацитета на батерията.
- Когато не използвате акумулаторната батерия, я дръжте настрана от кламери, монети, ключове, гвоздеи, винтове и други дребни метални предмети, които могат да свържат накъсо изводите ѝ. Свързването накъсо на изводите на батерията може да предизвика късо съединение и да причини пожар или експлозия.
- Винаги изключвайте зарядното устройство от

контакта, когато не го използвате и го съхранявайте на сухо и безопасно място.

- Не зареждайте батерии и не съхранявайте зарядното устройство в помещения, където температурата може да падне под 0°C или да надвиши +40°C.

ИНДИКАТОР ЗА СЪСТОЯНИЕТО НА БАТЕРИЯТА

Състоянието на батерията по време на работа се контролира със светодиоден индикатор (7). За да активирате индикатора, натиснете бутона на индикатора (8). (Фиг. 1)

1. Батерията е заредена 70 - 100%
2. Батерията е заредена 30 - 69%
3. Батерията е заредена под 30%
4. Батерията е изчерпана докрай

VII - Запознаване с електроинструмента

Преди да започнете да работите с електроинструмента се запознайте с всички оперативни особености и условия за безопасност.

Използвайте електроинструмента и принадлежностите му само по предназначение. Всяко друго приложение е изрично забранено.

1. Застопоряваща втулка
2. Гнездо за накрайник
3. Светодиодно осветление
4. Превключвател за смяна посоката на въртене
5. Прекъсвач
6. Бутон за светодиодното осветление
7. Светодиоден индикатор за батерията
8. Бутон на светодиодния индикатор за батерията
9. Бутон за освобождаване на батерията
10. Акумулаторна батерия
11. Светодиоден индикатор на зарядното устройство
12. Зарядно устройство

VIII - Указания за работа

СВЕТОДИОДНО ОСВЕТЛЕНИЕ НА РАБОТНАТА ЗОНА

Електроинструментът е снабден със светодиодно осветление (3) за повишаване осветеността на работната зона при работа в слабо осветени места. За да включите или изключите допълнителното осветление, натиснете бутон (6). Светодиодното осветление на работната зона се изключва автоматично след 10 минути работа.

ИЗБОР НА ПОСОКАТА НА ВЪРТЕНЕ

Крайно дясно положение на лоста (4) (гледано отзад) означава въртене обратно на посоката на часовниковата стрелка, а крайно ляво - по посока на часовниковата стрелка. При натиск върху пре-

късвача (5) лостът (4) не може да бъде задействан. (Фиг. 2)



ПРЕДУПРЕЖДЕНИЕ: Смяната на посоката на въртене да се извършва само когато вретеното не се върти.

Завиването на винтове се извършва с превключвател, поставен в крайно ляво положение. Развиването им се извършва при превключвател в крайно дясно положение.

ПУСКАНЕ - СПИРАНЕ

Пускане: прекъсвач (5) се натиска.

Спиране: прекъсвач (5) се отпуска.

Електроинструментът е снабден със спирачка. Вретеното спира да се върти веднага щом отпуснете напълно лоста на прекъсвача.

БЕЗСТЕПЕННО ЕЛЕКТРОННО РЕГУЛИРАНЕ НА ОБОРОТИТЕ

Леко натискане на прекъсвача (5) предизвиква задействие на електроинструмента на ниски обороти, които плавно се увеличават до максимални с увеличаване на натиска върху прекъсвача до достигане на крайно положение.

РАБОТА С ЕЛЕКТРОИНСТРУМЕНТА

Ударното действие се включва при натоварване, по-високо от зададено ниво. Натискането на прекъсвача на празен ход ще предизвика само промяна на оборотите.

Затягащият момент зависи от продължителността на ударното действие. Обикновено максималният затягащ момент се постига след 3 - 10 секунди работа в ударен режим. След този период затягащият момент се увеличава незначително. Продължителната работа в ударен режим може да предизвика повреда или изгаряне на електродвигателя.

Затягащият момент зависи от дължината, класа и диаметъра на винта, от здравината на материала (дърво, метал, и др.) в който се завива и от вида на използваната шайба. Използвайте електроинструмента след внимателно пресмятане на подходящото време за ударно действие като извършите пробно затягане и измерите стойността на момента с помощта на динамометричен ключ.



ПРЕДУПРЕЖДЕНИЕ: Електроинструмент с неизправен прекъсвач е опасен и трябва да се ремонтира преди използване.

ПОСТАВЯНЕ И СВАЛЯНЕ НА НАКРАЙНИК (ФИГ. 3)



ПРЕДУПРЕЖДЕНИЕ: Извадете батерията или поставете превключвателя за смяна посоката на въртене (6) в средно (неутрално) положение

Поставяне на крайник:

1. Издърпайте напред застопоряващата втулка (1).
2. Поставете крайника в шестстенното гнездо (2).
3. Освободете застопоряващата втулка и тя ще се върне в изходното си положение, в което захваща крайника.



ПРЕДУПРЕЖДЕНИЕ: Ако застопоряващата втулка не се върне в изходното си положение, крайникът не е поставен правилно.

Сваляне на крайник:

Издърпайте напред застопоряващата втулка и я задръжте в това положение докато изваждате крайника.

ЗАВИВАНЕ И ОТВИВАНЕ НА ВИНТОВЕ

Поставете подходящ за винта крайник, нагласете крайника в прорезите на главата на винта и го затегнете.

Приложете надлъжен натиск върху машината необходимо само колкото да се задръжи главата на винта.



ПРЕДУПРЕЖДЕНИЕ: Презатягането може да предизвика счупване на винта или повреждане на крайника.

- Удълженото време на завиване ще презатегне винта и той може да се счупи.
- Затягането с машината под ъгъл към винта може да повреди главата на винта, освен това въртящият момент няма да се предаде изцяло към винта.

IX - Поддръжка



ПРЕДУПРЕЖДЕНИЕ: Винаги поставяйте превключвателя за смяна посоката на въртене (4) в средно положение преди извършване на каквото и да е дейности по електроинструмента, напр. поставяне и зареждане на батерия, смяна на крайник, пренасяне, обслужване или съхраняване на електроинструмента.

Проверявайте редовно дали винтовете на корпуса са здраво притегнати. При продължителна употреба винтовете може да се разхлабят от вибрациите. Редовно смазвайте всички движещи се части.

ПОЧИСТВАНЕ

За безопасна работа поддържайте винаги чисти машината и вентилационните отвори.

Редовно проверявайте дали във вентилационната решетка близо до електродвигателя или около превключвателите не е проникнал прах или чужди тела. Използвайте мека четка за да отстраните събралите се прах. За да предпазите очите си, по време на почистването носете защитни очила.

Ако корпусът на машината се нуждае от почистване, избършете го с мека влажна кърпа. Може да се използва слаб препарат за миене.



ПРЕДУПРЕЖДЕНИЕ: Не се допуска употребата на спирт, бензин или други разтворители. Никога не използвайте разяждащи препарати за почистване на пластмасовите части.



ПРЕДУПРЕЖДЕНИЕ: Не се допуска влизането на вода в контакт с машината.

Инструкции за почистване на зарядното устройство:

- Замърсените и омаслени външни части на зарядното устройство да се почистват с кърпа или мека неметална четка. Не използвайте за тази цел вода и почистващи разтвори.

ВАЖНО! За да се осигури безопасната работа с електроинструмента и неговата надеждност, всички дейности по ремонта, поддръжката и регулирането трябва да се извършват в оторизираните сервиси на SPARKY с използване само на оригинални резервни части.

Х - Гаранция

Гаранционният срок на електроинструментите SPARKY се определя в гаранционна карта.

Неизправности, появили се в следствие на естествено износване, претоварване или неправилна експлоатация, се изключват от гаранционните задължения.

Неизправности, появили се в следствие на влагане на некачествени материали и/или производствени грешки, се отстраняват без допълнително заплащане чрез замяна или ремонт.

Рекламация на дефектирал електроинструмент SPARKY се признава, когато машината се върне на доставчика или се представи на оторизиран гаранционен сервиз в неразглобено (първоначално) състояние.

Забележки

Внимателно прочетете цялата инструкция за експлоатация преди да използвате това изделие.

Производителят си запазва правото да въвежда подобрения и промени в своите изделия и да променя спецификациите без предупреждение.

Спецификациите могат да се различават за отделните страни.