



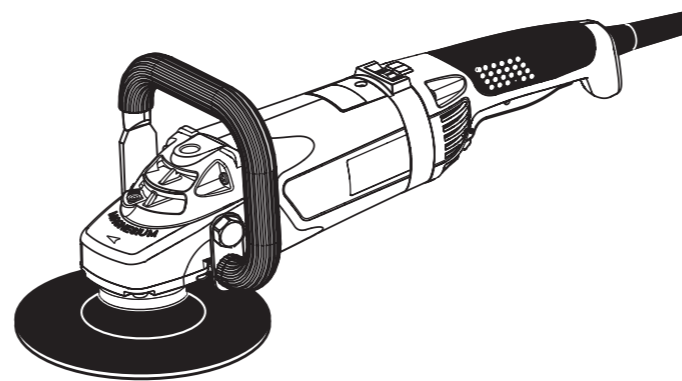
POWER
TOOLS



SPARKY

HD PROFESSIONAL

EN	POLISHER Original instructions	1 – 10
DE	POLIERER Originalbetriebsanleitung	11 – 21
FR	LUSTREUSE Notice originale	23 – 33
IT	LUCIDATRICE Istruzioni originali	35 – 45
ES	PULIDORA Instrucciones de uso originales	46 – 57
PT	POLIDORA Manual original	58 – 68
PL	POLERKA Oryginalna instrukcja obsługi	70 – 80
RU	ПОЛИРОВАЛЬНАЯ МАШИНА Оригинальная инструкция по эксплуатации	82 – 93
UK	ПОЛІРУВАЛЬНА МАШИНА Оригінальна інструкція з експлуатації	95 – 106
BG	ПОЛИРОВЪЧНА МАШИНА Оригинална инструкция за използване	107 – 118



HEAVYDUTY

1010/1300/1600W

PM 1026CE • PM 1324CE • PM 1631CE



EN

DECLARATION OF CONFORMITY

We declare under our sole responsibility that this product fulfils all the relevant provisions of the following directives and the harmonized standards:
2006/42/EC, 2004/108/EC, 2011/65/EC, EN 60745-1, EN 60745-2-3, EN 55014-1, EN 55014-2, EN 61000-3-2, EN 61000-3-3.
Technical file is stored at SPARKY ELTOS AG, Koubrat Str. 9, 5500 Lovetch, Bulgaria.

DE

KONFORMITÄTSERKLÄRUNG

Hiermit versichern wir unsere persönliche Haftung, dass dieses Erzeugnis allen einschlägigen Bestimmungen folgender Richtlinien und entsprechender harmonisierten Standards entspricht:
2006/42/EC, 2004/108/EC, 2011/65/EC, EN 60745-1, EN 60745-2-3, EN 55014-1, EN 55014-2, EN 61000-3-2, EN 61000-3-3.
Die technischen Unterlagen werden bei SPARKY ELTOS AG, Kubrat Str.9, 5500 Lovetch, Bulgarien, aufbewahrt.

FR

DECLARATION DE CONFORMITE

Nous déclarons sous notre responsabilité que ce produit satisfait à l'ensemble des dispositions pertinentes de la présente directives, respectivement aux normes harmonisées:
2006/42/EC, 2004/108/EC, 2011/65/EC, EN 60745-1, EN 60745-2-3, EN 55014-1, EN 55014-2, EN 61000-3-2, EN 61000-3-3.
Le dossier technique est conservé par SPARKY ELTOS AD, 9, rue Kubrat, Lovech, Bulgarie.

IT

DICHIARAZIONE DI CONFORMITÀ

Noi dichiariamo sotto la nostra personale responsabilità, che questo prodotto è in conformità a tutte le disposizioni pertinenti della presente direttive e norme armonizzate:
2006/42/EC, 2004/108/EC, 2011/65/EC, EN 60745-1, EN 60745-2-3, EN 55014-1, EN 55014-2, EN 61000-3-2, EN 61000-3-3.
Il fascicolo tecnico viene custodito presso la SPARKY ELTOS AD, 5500 Lovech, via Kubrat n. 9, Bulgaria.

ES

DECLARACIÓN DE CONFORMIDAD

Declaramos bajo nuestra exclusiva responsabilidad que este producto está conforme con todas las disposiciones aplicables de la presente directrices aplicables y las correspondientes normas armonizadas:
2006/42/EC, 2004/108/EC, 2011/65/EC, EN 60745-1, EN 60745-2-3, EN 55014-1, EN 55014-2, EN 61000-3-2, EN 61000-3-3.
El expediente técnico está archivado en SPARKY ELTOS SA, C/ Kubrat, 9, 5500 Lovech, Bulgaria.

PT

DECLARAÇÃO DE CONFORMIDADE

Declaramos assumindo a nossa responsabilidade pessoal que este produto está conforme com todas as disposições relevantes da presente directrizes aplicáveis e respectivos estandartes harmonizados:
2006/42/EC, 2004/108/EC, 2011/65/EC, EN 60745-1, EN 60745-2-3, EN 55014-1, EN 55014-2, EN 61000-3-2, EN 61000-3-3.
A documentação técnica guarda-se no SPARKY ELTOS AD, rua Kubrat 9, 5500 Lovech, Bulgária.

PL

DEKLARACJA ZGODNOŚCI

Niniejszym deklarujemy naszą osobistą odpowiedzialnością, że ten produkt spełnia wszystkie odpowiednie postanowienia następujących dyrektyw i harmonizowanych standardów:
2006/42/EC, 2004/108/EC, 2011/65/EC, EN 60745-1, EN 60745-2-3, EN 55014-1, EN 55014-2, EN 61000-3-2, EN 61000-3-3.
Teczka techniczna przechowywana jest w SPARKY ELTOS AG, Kubrat Str.9, 5500 Lovetch, Bulgaria.

RU

ДЕКЛАРАЦИЯ О СООТВЕТСТВИИ

Мы заявляем со всей ответственностью, что данный продукт полностью соответствует всем соответствующим требованиям действующих директив и гармонизированных стандартов:
2006/42/EC, 2004/108/EC, 2011/65/EC, EN 60745-1, EN 60745-2-3, EN 55014-1, EN 55014-2, EN 61000-3-2, EN 61000-3-3.
Техническое досье хранится в СПАРКИ ЕЛТОС АД, ул. Кубрат №9, 5500 Ловеч, Болгария.

UK

ДЕКЛАРАЦІЯ ПРО ВІДПОВІДНІСТЬ

Ми заявляємо під свою власну відповідальність, що даний продукт відповідає всім діючим вимогам директив і гармонізованих стандартів:
2006/42/EC, 2004/108/EC, 2011/65/EC, EN 60745-1, EN 60745-2-3, EN 55014-1, EN 55014-2, EN 61000-3-2, EN 61000-3-3.
Технічне досьє зберігається в СПАРКИ ЕЛТОС АД, ул. Кубрат № 9, 5500 Ловеч, Болгарія.

BG

ДЕКЛАРАЦИЯ ЗА СЪОТВЕТСТВИЕ

Ние декларираме на своя лична отговорност, че това изделие отговаря на всички приложими изисквания на следните директиви и хармонизирани стандарти:
2006/42/EC, 2004/108/EC, 2011/65/EC, EN 60745-1, EN 60745-2-3, EN 55014-1, EN 55014-2, EN 61000-3-2, EN 61000-3-3.
Техническото досие се съхранява в СПАРКИ ЕЛТОС АД, ул. Кубрат №9, 5500 Ловеч, България.

Manufacturer
SPARKY Power Tools GmbH
Leipziger Str. 20
10117 Berlin, GERMANY

Signature of authorized person

A. Ivanov
Technical director of SPARKY ELTOS AG

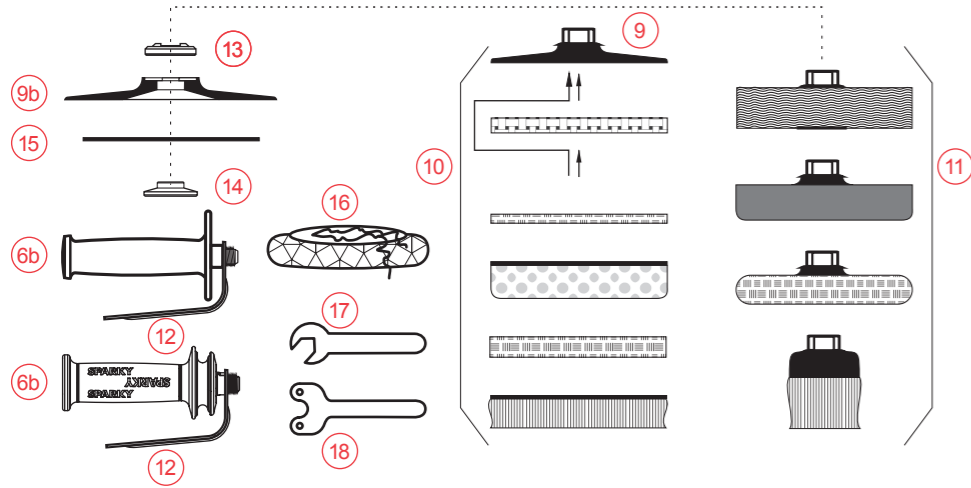
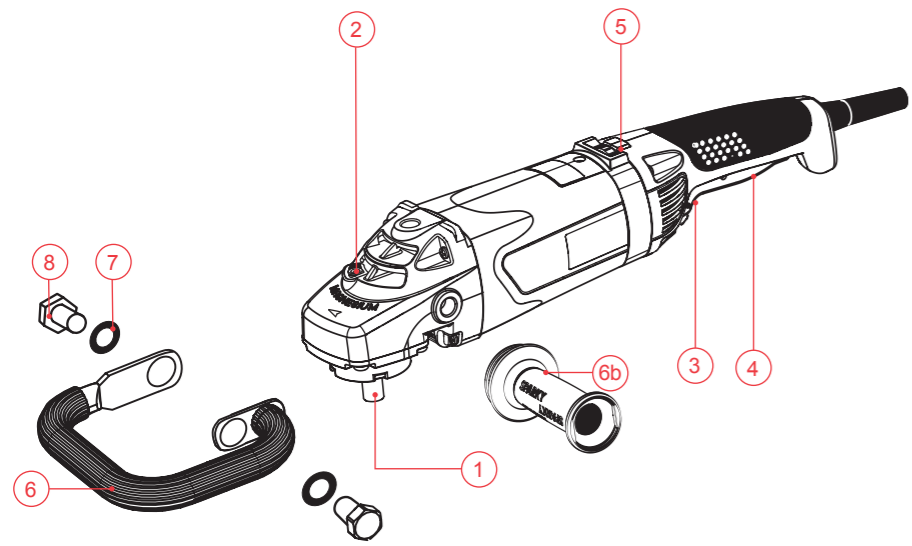
23 January 2013

142364V1

1305R01

© 2013 SPARKY

www.sparky.eu



Contents

Introduction	1
Technical specifications	3
General power tool safety warnings	4
Polisher safety warnings	5
Know your product	A/7
Operation	7
Maintenance	9
Warranty	10

UNPACKING

Due to modern mass production techniques, it is unlikely that your power tool is faulty or that a part is missing. If you find anything wrong, do not operate the tool until the parts have been replaced or the fault has been rectified. Failure to do so could result in serious personal injury.

ASSEMBLY

The polisher is packed fully assembled except for the backing pad, consumables and the auxiliary handles.

Introduction

Your new SPARKY power tool will more than satisfy your expectations. It has been manufactured under stringent SPARKY Quality Standards to meet superior performance criteria. You will find your new tool easy and safe to operate, and, with proper care, it will give you many years of dependable service.

WARNING:



Carefully read through these Original Instructions before using your new SPARKY power tool. Take special care to heed the Warnings. Your SPARKY power tool has many features that will make your job faster and easier. Safety, performance, and dependability have been given top priority in the development of this tool, making it easy to maintain and operate.



Do not dispose of electric tools together with household waste!

Waste electrical products should not be disposed of with household waste. Please recycle where facilities exist. Check with your local authority or retailer for recycling advice.

ENVIRONMENTAL PROTECTION



The machine, accessories and packaging should be sorted for environmental-friendly recycling.

The plastic components are labelled for categorised recycling.

DESCRIPTION OF SYMBOLS

The rating plate on your power tool may show symbols. These represent important information about the product or instructions on its use.



Double insulated for additional protection.



Spindle thread: M14



Conforms to the relevant European Directives.



Conforms to the requirements of Russian standards.



Conforms to the requirements of Ukrainian standards.



Refer to Original Instructions.




Always wear eye protection.

YYYY-Www Production period, where the variable symbols are:
YYYY- year of manufacture,
ww - calendar week number.

PM Polisher.

Technical specifications

Model	PM 1026CE	PM 1324CE	PM 1631CE
Power input	1010 W	1300 W	1600 W
No load speed	800-2600 min ⁻¹	400-2400 min ⁻¹	600-3100 min ⁻¹
Operating tool	max.200 mm	max.220 mm	max.180 mm
Spindle thread	M14	M14	M14
Spindle thread length	20 mm	20 mm	20 mm
Weight (EPTA Procedure 01/2003)	3.4 kg	3.7 kg	3.7 kg
Safety class (EN 60745-1) 	II	II	II

NOISE AND VIBRATION INFORMATION

Measured values determined according to EN 60745.

Noise emission

A-weighted sound pressure level L _{pA}	91 dB(A)	91 dB(A)	92 dB(A)
Uncertainty K _{pA}	3.0 dB(A)	3.0 dB(A)	3.0 dB(A)
A-weighted sound power level L _{WA}	102 dB(A)	102 dB(A)	103 dB(A)
Uncertainty K _{WA}	3.0 dB(A)	3.0 dB(A)	3.0 dB(A)

Wear hearing protection!

Vibration emission *

Total vibration values (vector sum in the three axes) determined according to EN 60745:

Sanding metal surfaces with sandpaper			
Vibration emission value a _{h,DS}	5.1 m/s ²	4.9 m/s ²	4.9 m/s ²
Uncertainty K _{DS}	1.5 m/s ²	1.5 m/s ²	1.5 m/s ²
Polishing painted surfaces with felt wheel			
Vibration emission value a _h	5.4 m/s ²	5.4 m/s ²	5.4 m/s ²
Uncertainty K	2.0 m/s ²	2.0 m/s ²	1.5 m/s ²

* The vibration emission values are determined according to 6.2.7 EN 60745-1.

The vibration emission level given in this information sheet has been measured in accordance with a standardised test given in EN 60745 and may be used to compare one tool with another. It may be used for a preliminary assessment of exposure.

The declared vibration emission level represents the main applications of the tool. However if the tool is used for different applications, with different accessories or poorly maintained, the vibration emission may differ. This may significantly increase the exposure level over the total working period.

An estimation of the level of exposure to vibration should also take into account the times when the tool is switched off or when it is running but not actually doing the job. This may significantly reduce the exposure level over the total working period.

Maintain the power tool and the accessories and keep your hands warm during operation to reduce the harmful effect of vibrations.

Other applications such as wire brushing may have different vibration emission values.

Dust from material such as paint containing lead, some wood species, minerals and metal may be harmful. Contact with or inhalation of the dust may cause allergic reactions and/or respiratory diseases to the operator or bystanders.

Certain kinds of dust are classified as carcinogenic such as oak and beech dust especially in conjunction with additives for wood conditioning (chromate, wood preservative). Material containing asbestos must only be treated by specialists.

- Where the use of a dust extraction device is possible it shall be used.
- The work place must be well ventilated.
- The use of a dust mask of filter class P2 is recommended.

Follow national requirements for the materials you want to work with.

All models are equipped with electronic device for soft start and restriction of starting current to 16 A.

The symbol CE in the model abbreviation indicates the presence of electronic device ensuring constant speed under load in the entire speed range.

All models are equipped with electronic device for thermal overload protection.

General power tool safety warnings



WARNING! Read all safety warnings and all instructions. *Failure to follow the warnings and instructions may result in electric shock, fire and/or serious injury.*

Save all warnings and instructions for future reference.

The term “power tool” in the warnings refers to your mains-operated (corded) power tool or battery-operated (cordless) power tool.

1) Work area safety

- a) **Keep work area clean and well lit.** *Cluttered or dark areas invite accidents.*
- b) **Do not operate power tools in explosive atmospheres, such as in the presence of flammable liquids, gases or dust.** *Power tools create sparks which may ignite the dust or fumes.*
- c) **Keep children and bystanders away while operating a power tool.** *Distractions can cause you to lose control.*

2) Electrical safety

- a) **Power tool plugs must match the outlet. Never modify the plug in any way. Do not use any adapter plugs with earthed (grounded) power tools.** *Unmodified plugs and matching outlets will reduce risk of electric shock.*
- b) **Avoid body contact with earthed or grounded surfaces, such as pipes, radiators, ranges and refrigerators.** *There is an increased risk of electric shock if your body is earthed or grounded.*
- c) **Do not expose power tools to rain or wet conditions.** *Water entering a power tool will increase the risk of electric shock.*
- d) **Do not abuse the cord. Never use the cord for carrying, pulling or unplugging the power tool. Keep cord away from heat, oil, sharp edges or moving parts.** *Damaged or entangled cords increase the risk of electric shock.*
- e) **When operating a power tool outdoors, use an extension cord suitable for outdoor use.** *Use of a cord suitable for outdoor use reduces the risk of electric shock.*
- f) **If operating a power tool in a damp location is unavoidable, use a residual current device (RCD) protected supply.**

Use of an RCD reduces the risk of electric shock.

3) Personal safety

- a) **Stay alert, watch what you are doing and use common sense when operating a power tool. Do not use a power tool while you are tired or under the influence of drugs, alcohol or medication.** *A moment of inattention while operating power tools may result in serious personal injury.*
- b) **Use personal protective equipment. Always wear eye protection.** *Protective equipment such as dust mask, non-skid safety shoes, hard hat, or hearing protection used for appropriate conditions will reduce personal injuries.*
- c) **Prevent unintentional starting. Ensure the switch is in the off-position before connecting to power source and/or battery pack, picking up or carrying the tool.** *Carrying power tools with your finger on the switch or energising power tools that have the switch on invites accidents.*
- d) **Remove any adjusting key or wrench before turning the power tool on.** *A wrench or a key left attached to a rotating part of the power tool may result in personal injury.*
- e) **Do not overreach. Keep proper footing and balance at all times.** *This enables better control of the power tool in unexpected situations.*
- f) **Dress properly. Do not wear loose clothing or jewellery. Keep your hair, clothing and gloves away from moving parts.** *Loose clothes, jewellery or long hair can be caught in moving parts.*
- g) **If devices are provided for the connection of dust extraction and collection facilities, ensure these are connected and properly used.** *Use of dust collection can reduce dust-related hazards.*

4) Power tool use and care

- a) **Do not force the power tool. Use the correct power tool for your application.** *The correct power tool will do the job better and safer at the rate for which it was designed.*
- b) **Do not use the power tool if the switch does not turn it on and off.** *Any power tool that cannot be controlled with the switch is dangerous and must be repaired.*
- c) **Disconnect the plug from the power source and/or the battery pack from the power tool before making any adjustments, changing accessories, or stor-**

ing power tools. Such preventive safety measures reduce the risk of starting the power tool accidentally.

- d) **Store idle power tools out of the reach of children and do not allow persons unfamiliar with the power tool or these instructions to operate the power tool.** *Power tools are dangerous in the hands of untrained users.*
- e) **Maintain power tools.** Check for misalignment or binding of moving parts, breakage of parts and any other condition that may affect the power tool's operation. If damaged, have the power tool repaired before use. *Many accidents are caused by poorly maintained power tools.*
- f) **Keep cutting tools sharp and clean.** *Properly maintained cutting tools with sharp cutting edges are less likely to bind and are easier to control.*
- g) **Use the power tool, accessories and tool bits etc. in accordance with these instructions, taking into account the working conditions and the work to be performed.** *Use of the power tool for operations different from those intended could result in a hazardous situation.*

5) Service

- a) **Have your power tool serviced by a qualified repair person using only identical replacement parts.** *This will ensure that the safety of the power tool is maintained.*

Polisher safety warnings

Safety Warnings Common for Sanding with sandpaper and fibre wheels, Wire Brushing or Polishing Operations with felt wheels, polishing sponges, lambs-wool bonnets and felt wheels with flange:

- a) **This power tool is intended to function as a polisher or machine for cleaning surfaces with a wire brush.** Read all safety warnings, instructions, illustrations and specifications provided with this power tool. *Failure to follow all instructions listed below may result in electric shock, fire and/or serious injury.*
- b) **Operations such as grinding or cutting-off are not recommended to be per-**

formed with this power tool. *Operations for which the power tool was not designed may create a hazard and cause personal injury.*

- c) **Do not use accessories which are not specifically designed and recommended by the tool manufacturer.** *Just because the accessory can be attached to your power tool, it does not assure safe operation.*
 - **Never mount circular blades or grinding wheels for angle grinders.**
 - **Use only accessories appropriate for the processed material and the rotation speed.**
- d) **The rated speed of the accessory must be at least equal to the maximum speed marked on the power tool.** *Accessories running faster than their rated speed can break and fly apart.*
- e) **The outside diameter and the thickness of your accessory must be within the capacity rating of your power tool.** *Incorrectly sized accessories cannot be adequately guarded or controlled.*
- f) **The arbour size of flanges, backing pads or any other accessory must properly fit the spindle of the power tool.** *Accessories with arbour holes that do not match the mounting hardware of the power tool will run out of balance, vibrate excessively and may cause loss of control.*
- g) **Do not use a damaged accessory.** **Before each use inspect the accessory such as backing pad for cracks, tear or excess wear, wire brush for loose or cracked wires.** If power tool or accessory is dropped, inspect for damage or install an undamaged accessory. **After inspecting and installing an accessory, position yourself and bystanders away from the plane of the rotating accessory and run the power tool at maximum no-load speed for one minute.** *Damaged accessories will normally break apart during this test time.*
- h) **Wear personal protective equipment.** Depending on application, use face shield, safety goggles or safety glasses. As appropriate, wear dust mask, hearing protectors, gloves and workshop apron capable of stopping small abrasive or workpiece fragments. *The eye protection must be capable of stopping flying debris generated by various operations. The dust*

mask or respirator must be capable of filtering particles generated by your operation. Prolonged exposure to high intensity noise may cause hearing loss.

- i) **Keep bystanders a safe distance away from work area.** Anyone entering the work area must wear personal protective equipment. Fragments of workpiece or of a broken accessory may fly away and cause injury beyond immediate area of operation.
- **Use clamps or a vice to secure your work whenever possible.**
- **Do not apply side pressure to stop the pad rotation after switching the machine off.**
- **Guide the machine towards the processed material only if the machine is switched on.**
- k) **Position the cord clear of the spinning accessory.** If you lose control, the cord may be cut or snagged and your hand or arm may be pulled into the spinning accessory.
- l) **Never lay the power tool down until the accessory has come to a complete stop.** The spinning accessory may grab the surface and pull the power tool out of your control.
- m) **Do not run the power tool while carrying it at your side.** Accidental contact with the spinning accessory could snag your clothing, pulling the accessory into your body.
- n) **Regularly clean the power tool's air vents.** The motor's fan will draw the dust inside the housing and excessive accumulation of powdered metal may cause electrical hazards.
- o) **Do not operate the power tool near flammable materials.** Sparks could ignite these materials.
- p) **Do not use accessories that require liquid coolants.** Using water or other liquid coolants may result in electrocution or shock.
- **This power tool is designed for dry sanding only.**
- **The tool must be used only for its prescribed purpose.** Any use other use than those mentioned in this Instruction will be considered a case of misuse. The user and not the manufacturer shall be liable for any damage or injury resulting from such cases of misuse.
- **The manufacturer shall not be liable for any changes made to the tool nor for any**

damage resulting from such changes.

- **When operating in dusty environment, the ventilation slots must be kept clean.** If it should become necessary to clear dust, first disconnect the tool from the mains supply (use non metallic objects to clean the dust) and avoid damaging internal parts. The power tool will over-heat under deteriorated cooling due to the clogged with dust ventilation slots.

Further safety instructions for all operations

Kickback and Related Warnings

Kickback is a sudden reaction to a pinched or snagged rotating wheel, backing pad, brush or any other accessory. Pinching or snagging causes rapid stalling of the rotating accessory which in turn causes the uncontrolled power tool to be forced in the direction opposite of the accessory's rotation at the point of the binding.

Kickback is the result of power tool misuse and/or incorrect operating procedures or conditions and can be avoided by taking proper precautions as given below.

- a) **Maintain a firm grip on the power tool and position your body and arm to allow you to resist kickback forces. Always use auxiliary handle, if provided, for maximum control over kickback or torque reaction during start-up.** The operator can control torque reactions or kickback forces, if proper precautions are taken.
- b) **Never place your hand near the rotating accessory.** Accessory may kickback over your hand.
- c) **Do not position your body in the area where power tool will move if kickback occurs.** Kickback will propel the tool in direction opposite to the pad or brush movement at the point of snagging.
- d) **Use special care when working corners, sharp edges etc. Avoid bouncing and snagging the accessory.** Corners, sharp edges or bouncing have a tendency to snag the rotating accessory and cause loss of control or kickback.

Safety Warnings Specific for Sanding Operations:

- a) **Do not use excessively oversized sanding disc paper.** Follow manufacturer's recommendations, when selecting sanding paper. Larger sanding paper ex-

tending beyond the sanding pad presents a laceration hazard and may cause snagging, tearing of the disc or kickback.

Safety Warnings Specific for Polishing Operations:

- a) Do not allow any loose portion of the polishing bonnet or its attachment strings to spin freely. Tuck away or trim any loose attachment strings. Loose and spinning attachment strings can entangle your fingers or snag on the workpiece.

Safety Warnings Specific for Wire Brushing Operations:

- a) Be aware that wire bristles are thrown by the brush even during ordinary operation. Do not overstress the wires by applying excessive load to the brush. The wire bristles can easily penetrate light clothing and/or skin.
- b) If the use of a guard is recommended for wire brushing, do not allow any interference of the wire wheel or brush with the guard. Wire wheel or brush may expand in diameter due to work load and centrifugal forces.

Know your product

Before using the power tool, familiarize yourself with all the operating features and safety requirements.

Use the tool and accessories only for the applications intended. All other applications are expressly ruled out.

1. Spindle
2. Spindle lock button
3. ON/OFF switch locking button
4. ON/OFF switch
5. Thumbwheel for electronic speed pre-selection
6. Closed auxiliary handle
7. Washer
8. Bolt
9. Hook-and-loop flexible backing pad
17. Spanner SW 22

ACCESSORIES TO BE USED WITH THIS POWER TOOL

- 6b. Side auxiliary handle
- 9b. Flexible backing pad with support flange and fixing flange

10. Hook-and-loop operating tool (soft intermediate disc, abrasive sheet, sponge, felt wheel, lambswool polishing bonnet)
11. Operating tool with flange and nut (cloth wheel, sponge, felt wheel, wire brush)
12. Side handle guard
13. Support flange
14. Fixing flange
15. Abrasive sheet (sandpaper)
16. Lambswool polishing bonnet
18. Pin spanner

Operation

These power tools are supplied from single-phase alternating current mains only. They are double insulated according to EN 60745-1, IEC 60745-1 and can be connected to grounded or not grounded sockets. This power tool is radio suppressed in compliance with EMC Directive 2004/108/EC.

This power tool is designed for rough and fine dry grinding, refurbishing and brushing, polishing and rubbing all kinds of surfaces at optimum chosen rotation speed.

PRIOR TO INITIAL OPERATION

- Make sure the power supply voltage corresponds to the value indicated on the name plate with technical data of the tool.
- Always check the position of ON/OFF switch. The power tool must be connected to the power supply socket only when this switch is in OFF position. If the plug is connected to a receptacle while the power switch is in the ON position, the power tool will start operating immediately, which could cause a serious accident.
- Make sure that the cord and the plug are in order. If the replacement of the supply cord is necessary, this has to be done by the manufacturer or his agent in order to avoid a safety hazard.



WARNING: Always switch off and unplug the power tool prior to any adjustment, servicing or maintenance.

- In case the work area is remote from the power source, use as short as practicable extension cord with proper cross-section.

- Check that the auxiliary handle is properly mounted and reliably tightened.

SWITCHING ON - SWITCHING OFF

The polisher is secured against unintentional switching on.

Brief activation:

Switching on: At first press the ON/OFF switch locking button 3, and then press the ON/OFF switch lever 4.

Switching off: Release ON/OFF switch 4.

Continuous operation:

Switching on: With the machine switched on press the locking button 3 and release the ON/OFF switch lever 4.

Switching off: Press ON/OFF switch 4 once and release it immediately.

MOUNTING THE ACCESSORIES

The standard set includes backing pad with flange nut for direct mounting onto the spindle and hook-and-loop fixing to the operating tool. It is possible to deliver the power tool with different accessories.

When mounting or dismantling polishing and sanding tools (accessories) by screwing/un-screwing onto the spindle, fix the polisher spindle 1 by depressing the lock button 2 positioned on the gear box.



WARNING: Never press the button 2 while the spindle is still rotating!

MOUNTING THE AUXILIARY HANDLE AND THE GUARD

The auxiliary handle 6 or 6b must be always mounted during any operation with the machine.

The auxiliary handle 6 is fastened to the gear box by two bolts 8 and washers 7 under the bolt heads. Screwing and unscrewing the bolts is performed by an open end spanner SW22. The handle orientation towards the machine depends on the operator's convenience.

The auxiliary handle 6b can be mounted alternatively to the right, upper or left side of the gear box. It is screwed directly to the machine gear box.

The side auxiliary handle 6b can be used with the guard 12 when necessary.

FLEXIBLE BACKING PAD

The backing pad 9 can be screwed directly onto the spindle. The hook-and-loop operating tools 10 (sandpaper, polishing sponge, felt wheel, lambswool bonnet, etc.) can be fixed directly onto the backing pad.

To dismount (unscrew) the backing pad use a spanner when necessary.

To use the machine with the backing pad with a fixing flange 9b place the support flange 13, the backing pad 9b and the sandpaper onto the spindle. Tighten the fixing flange 14 using a pin spanner.

FIXING THE OPERATING TOOL TO THE HOOK-AND-LOOP (VELCRO) BACKING PAD

The operating tool fastened to the backing pad shall be \varnothing min148. The operating tool shall be aligned with the backing pad and care shall be taken to ensure their coaxiality. Eccentrically mounted operating tools cause wobbling and vibrations.



WARNING: Use only pads with undamaged hook-and-loop system. Perform a trial test for at least 30 sec at no load after replacing the backing pad.



WARNING: Vibrating or otherwise improperly rotating backing pads must be replaced immediately!

WIRE BRUSH

The machine can be operated with cup/wheel wire brush with M14 thread.

Screw the wire brush onto the spindle 1 and tighten it by the spanner.

LAMBSWOOL POLISHING BONNET

Place the lambswool polishing bonnet on the backing pad 9b and check the correct distribution of the bonnet.

Fix the bonnet on the pad by the drawstring. Insert the drawstring ends into the bonnet.

FELT POLISHING WHEEL AND POLISHING SPONGE WITH FLANGE

Screw the felt wheel or the sponge with flange onto the spindle 1.

CLOTH WHEEL (BUFF)

The cloth wheel is fastened by a carrier consisting of threaded stud with opening, support flange and fixing flange. To mount the cloth wheel screw it onto the spindle.

ELECTRONIC CONTROL



WARNING: Do not operate the machine if the electronic device is faulty, because this means operating at increased speed (rpm). The event of fault can be identified by the lack of soft start or the impossibility to adjust the speed.

The polisher features full-wave electronic control with the following functions:

Soft start and restriction of starting current

The soft start ensures the smooth start of the machine without jerks and prevents creating voltage fluctuations in the supply network.

Speed adjustment

The speed can be adjusted smoothly depending on the specific operation performed. Pre-select the speed range according to Table 1:

Table 1

Thumbwheel position	Speed, min ⁻¹		
	PM 1026CE	PM 1324CE	PM 1631CE
A	800	400	600
B	1100	700	1000
C	1400	1000	1400
D	1700	1300	1800
E	2000	1600	2200
F	2300	1900	2600
G	2600	2400	3100



WARNING: Choose the speed appropriate for the application in advance by rotating the thumbwheel 5, according to Table 1. Select the proper accessory suitable for the specific operation and speed. Do not operate at speed exceeding 1500 min⁻¹ when polishing.

Stabilising the speed

The electronic device stabilises the pre-selected speed (rpm) constantly in order to limit the spindle speed reduction under variable load values.

Thermal protection

To protect the power tool from inadmissible thermal overload (motor damage) during extended operation at overload the machine is equipped with thermal protection. The electronic device switches off the machine before the temperature reaches the critical value and the machine switches from operating to safety mode.

To resume operation first turn off and then turn on the ON/OFF switch.

Maintenance



WARNING: Always ensure that the tool is switched off and unplugged before attempting to perform inspection or maintenance.

BRUSH REPLACEMENT

This power tool is equipped with auto-stop brushes. When the carbon brushes are worn out, the machine switches itself off. In this case both brushes must be replaced simultaneously with genuine brushes at SPARKY service centre for warranty and post-warranty service.

GENERAL INSPECTION

Regularly inspect all fasteners and ensure they are properly tightened. Should any of the screws be loose, retighten it immediately to avoid hazards.

If the replacement of the supply cord is necessary, this has to be done by the manufacturer or his agent in order to avoid a safety hazard.

CLEANING

For safe operation always keep the machine and its ventilation slots clean.

Regularly check to see if any dust or foreign matter has entered the ventilation slots and the grills around the switches. Use a soft brush and/or air jet to remove any accumulated dust. Wear safety glasses to protect your eyes whilst cleaning.

Exterior plastic parts may be cleaned with a damp cloth and mild detergent if necessary.



WARNING: Never use alcohol, petrol or other cleaning agent. Never use caustic agents to clean plastic parts.



WARNING: Water must never come into contact with the tool.

IMPORTANT! To assure product safety and reliability, repairs, maintenance and adjustment (including brush inspection and replacement) should be performed by certified service centres or other qualified service organisations, always using genuine replacement parts.

Warranty

The guarantee period for SPARKY power tools is determined in the guarantee card.

Faults due to normal wear, overloading or improper handling will be excluded from the guarantee.

Faults due to defective materials implemented as well as defects in workmanship will be cor-

rected free of charge through replacement or repair.

The complaints for defective SPARKY power tools will be recognized if the machine is sent back to the dealer or is presented to the authorised warranty service centre undismantled, in its initial condition.

Notes

Carefully read the entire Instruction Manual before using this product.

The manufacturer reserves the right to make changes and improvements to the products and to alter specifications without prior notice.

Specifications may differ from country to country.

Table 2

Materials	Application	Accessories / consumables	Recommended speed, min ⁻¹
Painted and varnish coated surfaces Wood Plastics Stone	Polishing paste distributing and rubbing Brilliance polishing	Felt wheel, polishing sponge, lambswool bonnet, woollen wheel, cloth wheel	400-1100
Plastics Non-ferrous metals Stone	Polishing	Felt wheel, cloth wheel	900-1300
Plastics Wood Non-ferrous metals	Smoothing surfaces	Abrasive sheet	1200-2000
Metals Wood	Paint removal	Abrasive sheet	2000-2400
Metals Wood	Rust removal Brushing	Wire brushes	2000-2400
Wooden profiles Window frames	Re-sanding, brushing dry cracked paint	Wire brushes	2300-2900
Stone	Sanding	Abrasive sheet	2500-3100

Inhaltsverzeichnis

Einführung	11
Technische Daten	13
Allgemeine Sicherheitshinweise für Elektrowerkzeuge.....	14
Sicherheitshinweise für Polierer	15
Elemente des Elektrowerkzeugs.....	A/18
Betriebshinweise	18
Wartung	20
Garantie	21

AUSPACKEN

Überprüfen Sie unmittelbar nach dem Auspacken ob sämtliche Bestandteile und das beschriebene Zubehör mitgeliefert wurden. Sollte dies nicht der Fall sein, wenden Sie sich bitte umgehend an Ihren Fachhändler bei dem das Elektrowerkzeug gekauft wurde. Dies trifft auch dann zu, wenn Sie den Eindruck haben mit dem Gerät ist etwas nicht in Ordnung. Eine Nichtbeachtung dieser Empfehlung kann zu schweren Unfällen führen.

ZUSAMMENBAU

Der Polierer wird verpackt und vollständig montiert, mit Ausnahme der Einsatzwerkzeuge, des Zubehörs und der Zusatzhandgriffe geliefert.

Einführung

Das von Ihnen erworbene Elektrowerkzeug wird Ihre Erwartungen übersteigen. Es ist gemäß den hohen Qualitätsstandards von SPARKY hergestellt, die den strengen Anforderungen des Verbrauchers entsprechen. Einfach in der Bedienung und ungefährlich bei richtiger Handhabung, wird dieses Gerät bei bestimmungsgemäßem Gebrauch Ihnen lange Jahre zuverlässig dienen.

WARNUNG!



Lesen Sie die ganze Originalbetriebsanleitung aufmerksam durch, bevor Sie das neu erworbene SPARKY – Elektrowerkzeug in Betrieb nehmen. Beachten Sie besonders die Texte, die mit dem Wört „Warnung“ beginnen. Ihr SPARKY - Elektrowerkzeug besitzt viele Eigenschaften, die Ihre Arbeit erleichtern werden. Bei der Entwicklung dieses Elektrowerkzeugs ist höchste Aufmerksamkeit der Sicherheit, den Betriebseigenschaften und der Zuverlässigkeit gewidmet worden, die es einfach zur Wartung und Bedienung machen.



Keine elektrischen Geräte zusammen mit dem Hausmüll wegwerfen!

Die Abfälle von elektrischen Erzeugnissen sollen nicht zusammen mit dem Hausmüll gesammelt werden. Für eine umweltgerechte Entsorgung geben Sie Ihren alten / defekten Elektrogeräte bitte in der nächsten kommunalen Sammelstelle ab.

UMWELTSCHUTZ



Angesichts des Umweltschutzes sollen das Elektrowerkzeug, die Zubehörteile und die Verpackung einer geeigneten Wiederverwertung zugeführt werden.

Zum sortenreinen Recycling sind die Teile, hergestellt aus Kunststoffen, entsprechend gekennzeichnet.

BEDEUTUNG DER SYMBOLE

Auf dem Typenschild des Elektrowerkzeuges sind spezielle Symbole dargestellt. Sie stellen wichtige Information über das Produkt oder Instruktionen für seine Nutzung dar.



Doppelte Isolierung für zusätzlichen Schutz.



Spindelgewinde: M14



Entspricht den einschlägigen Europäischen Richtlinien.



Entspricht den Anforderungen der russischen normativen Dokumente.



Entspricht den Anforderungen der ukrainischen normativen Dokumenten.



Lesen Sie die Originalbetriebsanleitung.




Tragen Sie immer eine Schutzbrille.

YYYY-Www Zeitabschnitt der Produktion, wobei die variablen Symbole sind:
YYYY - Kalenderjahr der Produktion,
ww - laufende Kalenderwoche.

PM Polierer.

Technische Daten

Modell	PM 1026CE	PM 1324CE	PM 1631CE
Leistungsaufnahme	1010 W	1300 W	1600 W
Leerlaufdrehzahl	800-2600 min ⁻¹	400-2400 min ⁻¹	600-3100 min ⁻¹
Arbeitswerkzeug	max.200 mm	max.220 mm	max.180 mm
Spindelanschlussgewinde	M14	M14	M14
Länge des Spindelgewindes	20 mm	20 mm	20 mm
Gewicht (EPTA Prozedur 01/2003)	3.4 kg	3.7 kg	3.7 kg
Schutzklasse (EN 60745-1) 	II	II	II

GERÄUSCH-/VIBRATIONSINFORMATION

Messwerte ermittelt entsprechend EN 60745.

Geräuschemissionswerte

Der A-bewertete Schalldruckpegel L _{pA}	91 dB(A)	91 dB(A)	92 dB(A)
Messunsicherheit K _{pA}	3.0 dB(A)	3.0 dB(A)	3.0 dB(A)
Der A-bewertete Schalleistungspegel L _{WA}	102 dB(A)	102 dB(A)	103 dB(A)
Messunsicherheit K _{WA}	3.0 dB(A)	3.0 dB(A)	3.0 dB(A)

Gehörschutz tragen!

Schwingungsemissionswerte *

Schwingungsgesamtwerte (Vektorsumme dreier Richtungen) ermittelt entsprechend EN 60745:

Sandpapierschleifen von Metalloberflächen			
Schwingungsemissionswert a _{h,DS}	5.1 m/s ²	4.9 m/s ²	4.9 m/s ²
Messunsicherheit K _{DS}	1.5 m/s ²	1.5 m/s ²	1.5 m/s ²
Polieren von farbigen oder lackierten Flächen mit Filzpolierscheibe			
Schwingungsemissionswert a _h	5.4 m/s ²	5.4 m/s ²	5.4 m/s ²
Messunsicherheit K	2.0 m/s ²	2.0 m/s ²	1.5 m/s ²

* Vibrationen ermittelt nach Pkt. 6.2.7 der EN 60745-1.

Der in diesen Anweisungen angegebene Schwingungspegel ist entsprechend einem in EN 60745 genormten Messverfahren gemessen worden und kann für den Vergleich von Elektrowerkzeugen miteinander verwendet werden. Er eignet sich auch für eine vorläufige Einschätzung der Schwingungsbelastung.

Der angegebene Schwingungspegel repräsentiert die hauptsächlichsten Anwendungen des Elektrowerkzeugs. Wenn allerdings das Elektrowerkzeug für andere Anwendungen, mit abweichenden Einsatzwerkzeugen oder ungenügender Wartung eingesetzt wird, kann der Schwingungspegel abweichen. Dies kann die Schwingungsbelastung über den gesamten Arbeitszeitraum deutlich erhöhen.

Für eine genaue Abschätzung der Schwingungsbelastung sollten auch die Zeiten berücksichtigt werden, in denen das Gerät abgeschaltet ist oder zwar läuft, aber nicht tatsächlich im Einsatz ist. Dies kann die Schwingungsbelastung über den gesamten Arbeitszeitraum deutlich reduzieren.

Pflegen Sie das Gerät und die Einsatzwerkzeuge mit Sorgfalt. Halten Sie Ihre Hände warm während der Arbeit - dies wird die schädliche Einwirkung erhöhter Schwingungen reduzieren.

Bei anderen Arbeiten, z.B. Reinigung mit Drahtbürste können die Schwingungsemissionen auch andere Werte haben.

Stäube von Materialien wie bleihaltigem Anstrich, einigen Holzarten, Mineralien und Metall können gesundheitsschädlich sein. Berühren oder Einatmen der Stäube können allergische Reaktionen und/oder Atemwegserkrankungen des Benutzers oder in der Nähe befindlicher Personen hervorrufen.

Bestimmte Stäube wie Eichen- oder Buchenstaub gelten als krebserzeugend, besonders in Verbindung mit Zusatzstoffen zur Holzbehandlung (Chromat, Holzschutzmittel). Asbesthaltiges Material darf nur von Fachleuten bearbeitet werden.

- Benutzen Sie möglichst eine Staubabsaugung.
- Sorgen Sie für gute Belüftung des Arbeitsplatzes.
- Es wird empfohlen, eine Atemschutzmaske mit Filterklasse P2 zu tragen.

Beachten Sie in Ihrem Land gültige Vorschriften für die zu bearbeitenden Materialien.

Alle Modelle verfügen über eingebauter Elektronik, die eine stufenlose Erreichung der Nenndrehzahlen und Anlaufstrombegrenzung bis 16 A sichert.

Das Symbol CE auf dem Typenschild des Elektrowerkzeugs bedeutet, dass eine Elektronik eingebaut ist, die gleich bleibende Drehzahlen im ganzen Regelbereich sichert.

Alle Modelle besitzen eine eingebaute Elektronik, die einen Temperaturüberlastschutz des Elektrowerkzeugs gewährleistet.

Allgemeine Sicherheitshinweise für Elektrowerkzeuge



WARNUNG: Lesen Sie alle Sicherheitshinweise und Anweisungen. Versäumnisse bei der Einhaltung der Sicherheitshinweise und Anweisungen können elektrischen Schlag, Brand und/oder schwere Verletzungen verursachen.

Bewahren Sie alle Sicherheitshinweise und Anweisungen für die Zukunft auf.

Der in den Sicherheitshinweisen verwendete Begriff „Elektrowerkzeug“ bezieht sich auf netzbetriebene Elektrowerkzeuge (mit Netzkabel) und auf akkubetriebene Elektrowerkzeuge (ohne Netzkabel).

1) Arbeitsplatzsicherheit

- a) Halten Sie Ihren Arbeitsbereich sauber und gut beleuchtet. Unordnung oder unbeleuchtete Arbeitsbereiche können zu Unfällen führen.
- b) Arbeiten Sie mit dem Elektrowerkzeug nicht in explosionsgefährdeter Umgebung, in der sich brennbare Flüssigkeiten, Gase oder Stäube befinden. Elektrowerkzeuge erzeugen Funken, die den Staub oder die Dämpfe entzünden können.
- c) Halten Sie Kinder und andere Personen während der Benutzung des Elektrowerkzeugs fern. Bei Ablenkung können Sie die Kontrolle über das Gerät verlieren.

2) Elektrische Sicherheit

- a) Der Anschlussstecker des Elektrowerkzeugs muss in die Steckdose passen. Der Stecker darf in keiner Weise verändert werden. Verwenden Sie keine Adapterstecker gemeinsam mit schutzgeerdeten Elektrowerkzeugen. Unveränderte Stecker und passende Steckdosen verringern das Risiko eines elektrischen Schlages.
- b) Vermeiden Sie Körperkontakt mit geerdeten Oberflächen wie von Rohren, Heizungen, Herden und Kühlschränken. Es

besteht ein erhöhtes Risiko durch elektrischen Schlag, wenn Ihr Körper geerdet ist.

- c) Halten Sie Elektrowerkzeuge von Regen oder Nässe fern. Das Eindringen von Wasser in ein Elektrowerkzeug erhöht das Risiko eines elektrischen Schlages.
- d) Zweckentfremden Sie das Kabel nicht, um das Elektrowerkzeug zu tragen, aufzuhängen oder um den Stecker aus der Steckdose zu ziehen. Halten Sie das Kabel fern von Hitze, Öl, scharfen Kanten oder sich bewegenden Geräteteilen. Beschädigte oder verwickelte Kabel erhöhen das Risiko eines elektrischen Schlages.
- e) Wenn Sie mit einem Elektrowerkzeug im Freien arbeiten, verwenden Sie nur Verlängerungskabel, die auch für den Außenbereich geeignet sind. Die Anwendung eines für den Außenbereich geeigneten Verlängerungskabels verringert das Risiko eines elektrischen Schlages.
- f) Wenn der Betrieb des Elektrowerkzeuges in feuchter Umgebung nicht vermeidbar ist, verwenden Sie einen Fehlerstromschutzschalter. Der Einsatz eines Fehlerstromschutzschalters mindert das Risiko eines elektrischen Schlages.

3) Sicherheit von Personen

- a) Seien Sie aufmerksam, achten Sie darauf, was Sie tun, und gehen Sie mit Vernunft an die Arbeit mit einem Elektrowerkzeug. Benutzen Sie kein Elektrowerkzeug, wenn Sie müde sind oder unter dem Einfluss von Drogen, Alkohol oder Medikamenten stehen. Ein Moment der Unachtsamkeit beim Gebrauch des Elektrowerkzeuges kann zu ernsthaften Verletzungen führen.
- b) Tragen Sie persönliche Schutzausrüstung und immer eine Schutzbrille. Das Tragen persönlicher Schutzausrüstung, wie Staubmaske, rutschfeste Sicherheitsschuhe, Schutzhelm oder Gehörschutz, je nach Art und Einsatz des Elektrowerkzeuges, verringert das Risiko von Verletzungen.
- c) Vermeiden Sie eine unbeabsichtigte Inbetriebnahme. Vergewissern Sie sich, dass das Elektrowerkzeug ausgeschaltet ist, bevor Sie es an die Stromversorgung und/oder den Akku anschließen,

es aufnehmen oder tragen. Wenn Sie beim Tragen des Elektrowerkzeuges den Finger am Schalter haben oder das Gerät eingeschaltet an die Stromversorgung anschließen, kann dies zu Unfällen führen.

- d) Entfernen Sie Einstellwerkzeuge oder Schraubenschlüssel, bevor Sie das Elektrowerkzeug einschalten. Ein Werkzeug oder Schlüssel, der sich in einem drehenden Geräteteil befindet, kann zu Verletzungen führen.
- e) Vermeiden Sie eine abnormale Körperhaltung. Sorgen Sie für einen sicheren Stand und halten Sie jederzeit das Gleichgewicht. Dadurch können Sie das Elektrowerkzeug in unerwarteten Situationen besser kontrollieren.
- f) Tragen Sie geeignete Kleidung. Tragen Sie keine weite Kleidung oder Schmuck. Halten Sie Haare, Kleidung und Handschuhe fern von sich bewegenden Teilen. Lockere Kleidung, Schmuck oder lange Haare können von sich bewegenden Teilen erfasst werden.
- g) Wenn Staubabsaug- und -auffangeinrichtungen montiert werden können, vergewissern Sie sich, dass diese angeschlossen sind und richtig verwendet werden. Verwendung einer Staubabsaugung kann Gefährdungen durch Staub verringern.

4) Verwendung und Behandlung des Elektrowerkzeuges

- a) Überlasten Sie das Gerät nicht. Verwenden Sie für Ihre Arbeit das dafür bestimmte Elektrowerkzeug. Mit dem passenden Elektrowerkzeug arbeiten Sie besser und sicherer im angegebenen Leistungsbereich.
- b) Benutzen Sie kein Elektrowerkzeug, dessen Schalter defekt ist. Ein Elektrowerkzeug, das sich nicht mehr ein- oder ausschalten lässt, ist gefährlich und muss repariert werden.
- c) Ziehen Sie den Stecker aus der Steckdose und/oder entfernen Sie den Akku, bevor Sie Geräteeinstellungen vornehmen, Zubehörteile wechseln oder das Gerät weglegen. Diese Vorsichtsmaßnahme verhindert den unbeabsichtigten Start des Elektrowerkzeuges.
- d) Bewahren Sie unbenutzte Elektrowerkzeuge außerhalb der Reichweite von Kindern auf. Lassen Sie Personen das Gerät nicht benutzen, die mit diesem nicht vertraut sind oder diese Anweisungen nicht gelesen haben. Elektro-

werkzeuge sind gefährlich, wenn Sie von unerfahrenen Personen benutzt werden.

- e) Pflegen Sie Elektrowerkzeuge mit Sorgfalt. Kontrollieren Sie, ob bewegliche Teile einwandfrei funktionieren und nicht klemmen, ob Teile gebrochen oder so beschädigt sind, dass die Funktion des Elektrowerkzeuges beeinträchtigt ist. Lassen Sie beschädigte Teile vor dem Einsatz des Gerätes reparieren. Viele Unfälle haben ihre Ursache in schlecht gewarteten Elektrowerkzeugen.
- f) Halten Sie Schneidwerkzeuge scharf und sauber. Sorgfältig gepflegte Schneidwerkzeuge mit scharfen Schneidkanten verklemmen sich weniger und sind leichter zu führen.
- g) Verwenden Sie Elektrowerkzeug, Zubehör, Einsatzwerkzeuge usw. entsprechend diesen Anweisungen. Berücksichtigen Sie dabei die Arbeitsbedingungen und die auszuführende Tätigkeit. Der Gebrauch von Elektrowerkzeugen für andere als die vorgesehenen Anwendungen kann zu gefährlichen Situationen führen.

5) Service

- a) Lassen Sie Ihr Elektrowerkzeug nur von qualifiziertem Fachpersonal und nur mit Original-Ersatzteilen reparieren. Damit wird sichergestellt, dass die Sicherheit des Elektrowerkzeuges erhalten bleibt.

Sicherheitshinweise für Polierer

Allgemeine Sicherheitshinweise zum Sandpapierschleifen und Faserscheibpolieren, Säubern mit Drahtbürsten, Polieren mit Filzpolierscheiben, Polierschwämmen, Lamfellbezügen und Filzpolierscheiben mit Flanschen:

- a) Dieses Elektrowerkzeug ist als Polierer und zum Säubern mit Drahtbürsten zu verwenden. Beachten Sie alle Sicherheitshinweise, Anweisungen, Darstellungen und Daten, die Sie mit dem Gerät erhalten. Wenn Sie die Sicherheitshinweise nicht beachten, kann es zu elektrischem Schlag, Feuer und/oder schweren Verletzungen kommen.
- b) Dieses Elektrowerkzeug ist zum Schleifen und Trennschleifen nicht geeignet. Verwendungen, für die das Elektrowerk-

zeug nicht vorgesehen ist, können Gefährdungen und Verletzungen verursachen.

- c) **Verwenden Sie kein Zubehör, das vom Hersteller nicht speziell für dieses Elektrowerkzeug vorgesehen und empfohlen wurde. Nur weil Sie das Zubehör an Ihrem Elektrowerkzeug befestigen können, garantiert das keine sichere Verwendung.**
- **Auf keinen Fall Kreissägeblätter oder Winkelschleiferscheiben verwenden.**
 - **Immer Polierwerkzeuge benutzen, die ausschliesslich für das Bearbeiten des entsprechenden Materials und für die jeweilige Drehgeschwindigkeit bestimmt sind.**
- d) **Die zulässige Drehzahl des Einsatzwerkzeugs muss mindestens so hoch sein wie die auf dem Elektrowerkzeug angegebene Höchstdrehzahl. Zubehör, das sich schneller als zulässig dreht, kann zerbrechen und umherfliegen.**
- e) **Außendurchmesser und Dicke des Einsatzwerkzeugs müssen den Maßangaben Ihres Elektrowerkzeugs entsprechen. Falsch bemessene Einsatzwerkzeuge können nicht ausreichend abgeschirmt oder kontrolliert werden.**
- f) **Flansche, Schleifteller oder anderes Zubehör müssen genau auf die Schleifspindel Ihres Elektrowerkzeugs passen. Einsatzwerkzeuge, die nicht genau auf die Schleifspindel des Elektrowerkzeugs passen, drehen sich ungleichmäßig, vibrieren sehr stark und können zum Verlust der Kontrolle führen.**
- g) **Verwenden Sie keine beschädigten Einsatzwerkzeuge. Kontrollieren Sie vor jeder Verwendung Einsatzwerkzeuge wie Schleifscheiben auf Absplitterungen und Risse, Schleifteller auf Risse, Verschleiß oder starke Abnutzung, Drahtbürsten auf lose oder gebrochene Drähte. Wenn das Elektrowerkzeug oder das Einsatzwerkzeug herunterfällt, überprüfen Sie, ob es beschädigt ist, oder verwenden Sie ein unbeschädigtes Einsatzwerkzeug. Wenn Sie das Einsatzwerkzeug kontrolliert und eingesetzt haben, halten Sie und in der Nähe befindliche Personen sich außerhalb der Ebene des rotierenden Einsatzwerkzeugs auf und lassen Sie das Gerät eine Minute lang mit Höchstdrehzahl laufen. Beschädigte Einsatzwerkzeuge brechen meist in dieser Testzeit.**
- h) **Tragen Sie persönliche Schutzausrüstung. Verwenden Sie je nach Anwendung Vollgesichtsschutz, Augenschutz oder Schutzbrille. Soweit angemessen, tragen Sie Staubmaske, Gehörschutz, Schutzhandschuhe oder Spezialschürze, die kleine Schleif- und Materialartikel von Ihnen fernhält. Die Augen sollen vor herumfliegenden Fremdkörpern geschützt werden, die bei verschiedenen Anwendungen entstehen. Staub- oder Atemschutzmaske müssen den bei der Anwendung entstehenden Staub filtern. Wenn Sie lange lautem Lärm ausgesetzt sind, können Sie einen Hörverlust erleiden.**
- i) **Achten Sie bei anderen Personen auf sicheren Abstand zu Ihrem Arbeitsbereich. Jeder, der den Arbeitsbereich betritt, muss persönliche Schutzausrüstung tragen. Bruchstücke des Werkstücks oder gebrochener Einsatzwerkzeuge können wegfiegen und Verletzungen auch außerhalb des direkten Arbeitsbereichs verursachen.**
- **Verwenden Sie immer eine Klemme oder einen Schraubstock, um das zu bearbeitende Werkstück zu fixieren.**
 - **Keinen Seitendruck zum Beibehalten des Scheibenlaufs nach Ausschalten der Maschine ausüben.**
 - **Die Maschine nur eingeschaltet zum Werkstück führen.**
- k) **Halten Sie das Netzkabel von sich drehenden Einsatzwerkzeugen fern. Wenn Sie die Kontrolle über das Gerät verlieren, kann das Netzkabel durchtrennt oder erfasst werden und Ihre Hand oder Ihr Arm in das sich drehende Einsatzwerkzeug geraten.**
- l) **Legen Sie das Elektrowerkzeug niemals ab, bevor das Einsatzwerkzeug völlig zum Stillstand gekommen ist. Das sich drehende Einsatzwerkzeug kann in Kontakt mit der Ablagefläche geraten, wodurch Sie die Kontrolle über das Elektrowerkzeug verlieren können.**
- m) **Lassen Sie das Elektrowerkzeug nicht laufen, während Sie es tragen. Ihre Kleidung kann durch zufälligen Kontakt mit dem sich drehenden Einsatzwerkzeug erfasst werden und das Einsatzwerkzeug sich in Ihren Körper bohren.**
- n) **Reinigen Sie regelmäßig die Lüftungsschlitze Ihres Elektrowerkzeugs. Das Motorgebläse zieht Staub in das Gehäuse,**

und eine starke Ansammlung von Metallstaub kann elektrische Gefahren verursachen.

- o) **Verwenden Sie das Elektrowerkzeug nicht in der Nähe brennbarer Materialien. Funken können diese Materialien entzünden.**
- p) **Verwenden Sie keine Einsatzwerkzeuge, die flüssige Kühlmittel erfordern. Die Verwendung von Wasser oder anderen flüssigen Kühlmitteln kann zu einem elektrischen Schlag führen.**
 - **Benutzen Sie die Maschine nur zum Trockenpolieren.**
 - **Das Elektrowerkzeug darf nur zu dem angegebenen Verwendungszweck gebraucht werden. Jegliche andere Verwendung, anders als in diesen Anleitungen beschrieben wird als nicht richtige Verwendung betrachtet. Die Verantwortung für jegliche Verletzung in Folge einer unrichtigen Verwendung wird vom Betreiber getragen und nicht von dem Hersteller.**
 - **Der Hersteller trägt keine Verantwortung für die durch den Betreiber vorgenommenen Änderungen an dem Elektrowerkzeug oder für Beschädigungen, verursacht durch diese Änderungen.**
 - **Bei Arbeit in einer staubigen Umgebung müssen die Ventilationsöffnungen der Maschine rein gehalten werden. Wenn diese vom Staub zu reinigen sind, schalten Sie zuerst die Stromversorgung ab und nutzen Sie keine Metallgegenstände für die Staubreinigung, wobei Sie darauf achten sollten die Innenbauteile der Maschine nicht zu beschädigen. Das Elektrowerkzeug wird überhitzt wenn die Kühlung durch verstaubte Ventilationsöffnungen reduziert wird.**

Weitere Sicherheitshinweise für alle Anwendungen

Rückschlag und entsprechende Sicherheitshinweise

Rückschlag ist die plötzliche Reaktion infolge eines festgeklemmten oder blockierten Einsatzwerkzeugs, wie Schleifteller, Drahtbürste usw. Festklemmen oder Blockieren führt zu einem abrupten Stopp des rotierenden Einsatzwerkzeugs. Dadurch wird ein unkontrolliertes Elektrowerkzeug gegen die Drehrichtung des Einsatzwerkzeugs an der Blockierstelle beschleunigt. Ein Rückschlag ist die Folge eines falschen oder fehlerhaften Gebrauchs des Elektrowerkzeugs.

Er kann durch geeignete Vorsichtsmaßnahmen, wie nachfolgend beschrieben, verhindert werden.

- a) **Halten Sie das Elektrowerkzeug gut fest und bringen Sie Ihren Körper und Ihre Arme in eine Position, in der Sie die Rückschlagkräfte abfangen können. Verwenden Sie immer den Zusatzgriff, falls vorhanden, um die größtmögliche Kontrolle über Rückschlagkräfte oder Reaktionsmomente beim Hochlauf zu haben. Die Bedienperson kann durch geeignete Vorsichtsmaßnahmen die Rückschlag- und Reaktionskräfte beherrschen.**
- b) **Halten Sie Ihre Hand nie in die Nähe sich drehender Einsatzwerkzeuge. Das Einsatzwerkzeug kann sich beim Rückschlag über Ihre Hand bewegen.**
- c) **Meiden Sie mit Ihrem Körper den Bereich, in den das Elektrowerkzeug bei einem Rückschlag bewegt wird. Der Rückschlag treibt das Elektrowerkzeug in die Richtung, entgegengesetzt zur Bewegung des Schleiftellers oder der Drahtbürste.**
- d) **Arbeiten Sie besonders vorsichtig im Bereich von Ecken, scharfen Kanten usw. Verhindern Sie, dass Einsatzwerkzeuge vom Werkstück zurückprallen und verkleben. Das rotierende Einsatzwerkzeug neigt bei Ecken, scharfen Kanten oder wenn es abprallt dazu, sich zu verkleben. Dies verursacht einen Kontrollverlust oder Rückschlag.**

Besondere Sicherheitshinweise zum Sandpapierschleifen:

- a) **Benutzen Sie keine überdimensionierten Schleifblätter, sondern befolgen Sie die Herstellerangaben zur Schleifblattgröße. Schleifblätter, die über den Schleifteller hinausragen, können Verletzungen verursachen sowie zum Blockieren, Zerreißen der Schleifblätter oder zum Rückschlag führen.**

Besondere Sicherheitshinweise zum Polieren:

- a) **Lassen Sie keine losen Teile der Polierhaube, insbesondere Befestigungsschnüre, zu. Verstaunen oder kürzen Sie die Befestigungsschnüre. Lose, sich mitdrehende Befestigungsschnüre können Ihre Finger erfassen oder sich im Werkstück verfangen.**

Besondere Sicherheitshinweise zum Arbeiten mit Drahtbürsten:

- a) **Beachten Sie, dass die Drahtbürste auch während des üblichen Gebrauchs Drahtstücke verliert. Überlasten Sie die Drähte nicht durch zu hohen Anpressdruck. Wegfliegende Drahtstücke können sehr leicht durch dünne Kleidung und/oder die Haut dringen.**
- b) **Wird eine Schutzhaube empfohlen, verhindern Sie, dass sich Schutzhaube und Drahtbürste berühren können. Teller- und Topfbürsten können durch Anpressdruck und Zentrifugalkräfte ihren Durchmesser vergrößern.**

Elemente des Elektrowerkzeugs

Bevor Sie die Arbeit mit dem Werkzeug beginnen machen Sie sich mit allen Operationsbesonderheiten und Sicherheitsbedingungen vertraut. Verwenden Sie das Werkzeug und sein Zubehör nur gemäß seinem Verwendungszweck. Jegliche andere Verwendung ist verboten.

1. Spindel
2. Spindelarretierungsknopf
3. Schalterarretierungsknopf
4. Ein- und Ausschalter
5. Drehzahlregler
6. Geschlossener Zusatzgriff
7. Federscheibe
8. Schraube
9. Schleifteller
10. Schraubenschlüssel SW 22

ZUBEHÖR, WELCHES MIT DIESEM ELEKTROWERKZEUG VERWENDET WERDEN KANN

- 6b. Seitlicher Zusatzgriff
- 9b. Gummischleifteller mit Stütz- und Spannflansch
10. Arbeitswerkzeug mit funktionstüchtigem Fixiersystem zum Schleifteller (weiche Zwischenscheibe, Sandpapier, Polierschwamm, Filzpolierscheibe, Lammfellbezug)
11. Schleifteller mit eingebauter Mutter (Stoffpolierscheibe, Polierschwamm, Filzpolierscheibe, Bürste)
12. Sicherung zum Zusatzgriff
13. Stützflansch
14. Spannflansch

15. Sandpapier
16. Lammfellbezug
18. Zweilochschlüssel

Betriebshinweise

Dieses Elektrowerkzeug wird nur mit einphasiger Wechselspannung versorgt. Man kann es an Kontaktsteckdosen ohne Schutzklemmen anschließen. Es ist nach EN 60745-1 und IEC 60745-1 doppelt isoliert. Die Funkstörungen entsprechen der EMV-Richtlinie 2004/108/EG zur Elektromagnetischen Verträglichkeit.

Dieses Elektrowerkzeug ist zum trockenen Grob- und Feinschleifen, Säubern und Bürsten, Polieren und Einmassieren von Wachs auf verschiedenen Oberflächen bei optimal gewählter Drehzahl bestimmt.

VOR DEM BEGINN DER ARBEIT

- Überprüfen Sie ob die Spannung des Versorgungsnetzes der auf dem Typenschild mit den technischen Daten des Elektrowerkzeuges angegebenen Spannung entspricht.
- Überprüfen Sie in welcher Stellung der sich Schalter befindet. Das Gerät darf nur mit ausgeschaltet ans Netz angeschlossen und vom Netz getrennt werden. Falls Sie den Netzstecker in die Steckdose stecken wenn das Gerät eingeschaltet ist wird es sofort beginnen anzulaufen was die Voraussetzung für einen schweren Unfall sein kann.
- Überzeugen Sie sich vom ordnungsgemäßen Zustand des Versorgungskabels und des Steckers. Falls das Versorgungskabel beschädigt ist, darf es nur vom Hersteller oder einem autorisierten Servicefachmann ausgetauscht werden um eventuelle Austauschrisiken zu vermeiden.



WARNUNG! Schalten Sie das Elektrowerkzeug vor jeglichen Einstellungs-, Wartungs- und Reparaturarbeiten aus und trennen Sie es vom Netz. Das gleiche gilt bei Stromausfall (Gefahr des unbeabsichtigten Wiederanlaufens).

- Wenn der Arbeitsplatz von der Stromquelle entfernt ist, benutzen Sie ein so kurz wie mögliches Verlängerungskabel mit geeignetem Querschnitt.
- Überprüfen Sie ob der zusätzliche Handgriff richtig angesetzt und festgezogen ist.

EIN- UND AUSSCHALTEN

Der Polierer ist gegen ein versehentliches Einschalten gesichert.

Kurzbetrieb:

Einschalten: Zuerst den Arretierungsknopf 3 am Schaltervorderteil drücken und danach - den Schalter 4.

Ausschalten: Den Schalter 4 loslassen.

Dauerbetrieb:

Einschalten: Bei schon laufendem Elektrowerkzeug den Schalterarretierungsknopf 3 drücken und den Schalter 4 loslassen.

Ausschalten: Den Schalter 4 einmal drücken und gleich loslassen.

ANBRINGEN DES ZUBEHÖRS UND DER ARBEITSWERKZEUGE

Das Elektrowerkzeug ist standardmäßig mit einem Gummischleifteller und einer Spannmutter zum direkten Einschrauben auf die Spindel und mit einem speziellen System zur Befestigung des Arbeitswerkzeuges auf den Schleifteller ausgerüstet.

Andere Ausrüstungsvarianten sind möglich.

Bei Montage und Demontage der Polier- und Schleifwerkzeuge (Zubehör), durch Einschrauben / Losschrauben der Spindel, die Spindel 1 durch Drücken des Spindelarretierungsknopfes 2 fixieren.



WARNUNG: Der Spindelarretierungsknopf 2 darf bei sich drehenden Spindel nicht gedrückt werden!

ANBRINGEN DES ZUSATZGRIFFES

Der zusätzliche Handgriff 6 oder 6b müssen bei jeder Art der Arbeit mit der Maschine montiert sein.

Der geschlossene Handgriff 6 wird am Getriebegehäuse der Maschine durch die beiden Schrauben 8 befestigt, vor welche die Federscheiben 7 gesetzt werden. Die Schrauben werden durch den Schraubenschlüssel SW22, mit welchem die Maschine komplettiert ist, festgezogen. Der Handgriff ist variabel verstellbar.

Der Zusatzgriff 6b kann wahlweise auf der rechten, oberen oder linken Seite des Getriebegehäuses befestigt werden. Er wird direkt am Getriebegehäuse der Maschine eingeschraubt. Wenn notwendig, die Sicherung 12 zum Zusatzgriff verwenden.

GUMMISCHLEIFTELLER

Den Gummischleifteller 9 direkt auf die Spindel 1 schrauben. Auf den Schleifteller sind Polier- und Schleifwerkzeuge 10 mit entsprechendem Fixiersystem anzubringen – Sandpapier, Polierschwamm, Filzpolierscheibe, Lammfellbezug u. a.

Zur Demontage (Losschrauben) wenn nötig einen Schraubenschlüssel verwenden.

Beim Benutzen des Schleiftellers mit Spannflansch 9b den Flansch 13, Schleifteller 9b und Sandpapier 15 auf die Spindel legen. Den Spannflansch 14 anschrauben und mit dem Zweilochschlüssel 18 festziehen.

FIXIEREN DES ARBEITSWERKZEUGES AM SCHLEIFTELLER MIT FUNKTIONSTÜCHTIGEM FIXIERSYSTEM (VELCRO)

Der Durchmesser des Arbeitswerkzeuges sollte mindestens $\varnothing 148\text{mm}$ betragen. Der Lochdurchmesser muss zum Aufnahme­flansch passen. Einsatzwerkzeuge, die nicht genau auf die Schleifspindel des Elektrowerkzeugs passen, drehen sich ungleichmäßig und vibrieren sehr stark.



WARNUNG: Nur Schleifteller mit funktionstüchtigem Fixiersystem benutzen. Nach einem Schleiftellerwechsel den Polierer für mindestens 30 Sekunden im Leerlauf betätigen.



WARNUNG: Vibrierende oder sich unregelmäßig drehende Schleifteller sofort wechseln.

TOPF- UND RUNDBÜRSTEN AUS STAHLDRAHT

Der Polierer kann mit Topf- und Rundbürsten aus Stahldraht mit Anschlussgewinde M14 benutzt werden.

Die Stahlbürste auf die Spindel 1 aufdrehen und mit einem Schlüssel festziehen.

LAMMFELLBEZUG

Den Lammfellbezug auf den Gummiteller 9b legen und auf die gesamte Fläche regelmäßig verteilen.

Bezug mit der Befestigungsschnur auf dem Teller fixieren.

Die Schnurende zwischen den Bezug und den Gummiteiler stecken.

FILZPOLIERSCHEIBE UND POLIER-SCHWAMM MIT FLANSCH

Die Filzpolierscheibe oder Polierschwamm mit Flansch auf die Spindel 1 aufdrehen.

LÄPPSCHEIBE

Die Läppscheibe ist mit Stütz- und Spannflansch befestigt. Die Läppscheibe auf die Spindel der Maschine aufdrehen.

ELEKTRONISCHE REGELUNG DER MASCHINE



WARNUNG: Arbeiten Sie nicht mit dem Polierer, falls die Elektronik nicht in Ordnung ist, da das mit einem Betrieb mit höheren Drehzahlen verbunden ist. Die Störungen in der elektronischen Regelung sind durch Fehlen des Sanftanlaufs oder durch die fehlende Drehzahlregelung zu erkennen.

Der Polierer hat eine zweistufige elektronische Regelung, die folgende Funktionen hat:

Sanftanlauf und Anlaufstrombegrenzung

Der Sanftanlauf verhindert ein ruckartiges Anlaufen des Elektrowerkzeuges nach dem Einschalten und gleicht Netzspannungsschwankungen aus.

Regelung der Drehgeschwindigkeit der Spindel

Die stufenlose Regelung der Drehgeschwindigkeit der Spindel erfolgt entsprechend der Betriebsart. Der Regelbereich ist laut Tabelle 1:

Tabelle 1

Pos.	Geschwindigkeit, min ⁻¹		
	PM 1026CE	PM 1324CE	PM 1631CE
A	800	400	600
B	1100	700	1000
C	1400	1000	1400
D	1700	1300	1800
E	2000	1600	2200
F	2300	1900	2600
G	2600	2400	3100



WARNUNG: Vor der Arbeit mit dem Regler 5 die gewünschte Drehzahl wählen (Tabelle 1 berücksichtigen). Für die gewählte Operation und Geschwindigkeit das passende Einsatzwerkzeug benutzen. Beim Polieren keine höhere Geschwindigkeit als 1500 min⁻¹ benutzen.

Konstantelektronik

Die Konstantelektronik hält die Drehzahl bei Leerlauf und Last nahezu konstant und gewährleistet eine gleichmäßige Arbeitsleistung.

Temperaturüberlastschutz

Um eine Überhitzung des Elektrowerkzeuges zu vermeiden, ist beim dauerhaften Betrieb ein Temperaturüberlastschutz vorgesehen. Vor dem Erreichen der kritischen Höchsttemperatur schaltet die Elektronik die Maschine aus und sie läuft im Schutzbetrieb weiter.

Zur Inbetriebnahme ist es notwendig, den Schalter auszuschalten und ihn wiedereinzuschalten.

Wartung



WARNUNG: Ziehen Sie den Stecker aus der Steckdose, bevor Sie jede Inspektion oder Wartung vornehmen.

INSTANDSETZUNG DER KOHLEBÜRSTEN

Das elektrische Gerät hat selbstausschaltende Kohlebürsten. Diese verschleifen und müssen deshalb von Zeit zu Zeit von einer autorisierten SPARKY Vertrags-Kundendienstwerkstatt geprüft bzw. ausgetauscht werden.

INSTANDHALTUNG

Prüfen Sie regelmäßig ob alle Stützelemente fest angezogen sind. Falls eine Klemmschraube gelöst ist, unverzüglich anziehen, um Risiken zu vermeiden.

Wenn die Anschlussleitung beschädigt ist, muss sie von einer autorisierten SPARKY Vertrags-Kundendienstwerkstatt ausgetauscht werden.

REINIGUNG

Pflegen Sie das elektrische Gerät und die Entlüftungsöffnungen mit Sorgfalt. Kontrollieren Sie, ob bewegliche Geräteteile einwandfrei funktionieren und nicht klemmen, ob Teile gebrochen oder so beschädigt sind, dass die Funktion des elektrischen Gerätes beeinträchtigt ist. Verwenden Sie eine weiche Bürste und/oder Pressluft, um Staub zu entfernen. Tragen Sie eine Schutzbrille während der Reinigung. Reinigen Sie den Gerätekörper mit einem weichen, feuchten Tuch und leichtem Spülmittel.



WARNUNG: Die Verwendung von Spiritus, Benzin oder anderen Lösmitteln ist nicht zugelassen. Verwenden Sie keine ätzenden Reinigungsmittel für die Kunststoffteile.



WARNUNG: Das Eindringen von Wasser in das Elektrogerät ist nicht ratsam.

ACHTUNG! Um den sicheren und zuverlässigen Betrieb des Elektrowerkzeuges sicherzustellen, lassen Sie alle Geräteeinstellungen, Reparatur- und Wartungstätigkeiten (einschließlich der Inspektion und Instandsetzung der Kohlebürsten) von einer autorisierten SPARKY Vertrags-Kundendienstwerkstatt durchführen.

Garantie

Die Garantiefrist der SPARKY-Elektrowerkzeuge wird im Garantieschein bestimmt.

Schäden, die auf natürliche Abnutzung, Überlastung oder unsachgemäße Handhabung zurückzuführen sind, bleiben von der Garantie ausgeschlossen.

Schäden, die durch Material- und/oder Herstellerfehler entstanden sind, werden unentgeltlich durch Ersatzlieferung oder Reparatur beseitigt. Beanstandungen bezüglich eines beschädigten SPARKY-Elektrowerkzeugs können nur anerkannt werden, wenn das Gerät unzerlegt (im ursprünglichen Zustand) dem Lieferanten oder der befugten Kundendienstwerkstatt vorgelegt wird.

Hinweise

Lesen Sie sorgfältig die ganze Betriebsanweisung bevor Sie beginnen, das Erzeugnis zu verwenden.

Der Hersteller behält sich das Recht vor, Verbesserungen und Änderungen in seinen Erzeugnissen einzuführen und die Spezifikationen ohne Voranmeldung zu ändern.

Die Spezifikationen können sich in den verschiedenen Ländern unterscheiden.

Tabelle 2

Material	Anwendung	Werkzeugs	Empfohlene Drehzahl, min⁻¹
Farbige oder lackierte Flächen Holz Kunststoff Stein	Arbeit mit Polierpasten Glanzpolieren	Filzpolierscheibe Polierschwamm, Lammfellbezug, Schleifscheibe aus Wolle, Stoff	400-1100
Kunststoff Stein Buntmetall	Polieren	Filzpolierscheibe, Läppscheibe	900-1300
Kunststoff Holz Buntmetall	Flächenglätten	Schleifblatt	1200-2000
Metall Holz	Abnehmen von Farben	Schleifblatt	2000-2400
Metall Holz	Abnehmen von Rost Bürsten	Topf- und/oder Rundbürsten aus Stahldraht	2000-2400
Holzprofile Fensterläden	Vorschleifen	Topfbürsten aus Stahldraht	2300-2900
Stein	Schleifen	Sandpapier	2500-3100

Table des matières

Introduction	23
Données techniques	25
Avertissements de sécurité généraux pour l'outil	26
Instructions supplémentaires de sécurité lors du travail avec des lustreuses	27
Description de l'appareil électrique	A/30
Instructions pour le travail	30
Entretien	32
Garantie	33

DEBALLAGE

Compte tenu des technologies généralement adoptées pour la production en grande série, il est peu probable que votre instrument électrique soit défectueux ou qu'il lui manque une pièce. Si toutefois vous remarquez que quelque chose ne va pas, n'utilisez pas l'instrument électrique avant le remplacement de la pièce défectueuse ou avant l'élimination du dysfonctionnement. Le non-respect de cette recommandation peut entraîner un grave accident.

MONTAGE

La lustreuse est fournie emballée et montée à l'exception de l'outil, des matériaux de consommation et des poignées auxiliaires.

Introduction

Votre nouvel outil a été conçu et produit selon tous les standards de qualité pour répondre aux exigences les plus élevées. Son exploitation est facile et sécurisée. Et avec une utilisation correcte il vous servira longtemps.

AVERTISSEMENT!



Lire attentivement cette notice originale avant d'utiliser votre nouvel outil. Prêter attention aux sections «Avertissement». Votre outil électrique possède des caractéristiques qui facilitent votre travail.

Cet instrument a été conçu et produit selon toutes les exigences de sécurité pour que son usage et son entretien soient faciles.



Ne pas jeter les outils électroportatifs avec les ordures ménagères!

Les déchets provenant d'outils électroportatifs ne doivent pas être ramassés avec les ordures ménagères. Prière de recycler sur les lieux qui y sont spécialement destinés. Contacter les autorités locales ou un représentant pour des consultations concernant le recyclage.

RESPECT DE L'ENVIRONNEMENT



Récupération des matières premières plutôt qu'élimination des déchets. En vue à la protection de l'environnement, les appareils, comme d'ailleurs leurs accessoires et emballages, doivent pouvoir suivre chacun une voie de recyclage appropriée. Nos pièces en matières artificielles ont été marquées en vue d'un recyclage sélectif des différents matériaux.

LÉGENDE

L'outil électrique porte une plaque décrivant les signes spéciaux. Ils apportent une information importante quant au produit ou des instructions d'utilisation.



Double isolation pour une meilleure sécurité.



Filetage de la broche porte-outil: M14.



Conforme aux directives européennes applicables.



En conformité avec les exigences des standards Russes.



En conformité avec les exigences des standards ukrainiens.



Lisez la notice originale.




Portez toujours des lunettes de protection.

YYYY-Www Période de production, où, les symboles variables sont les suivants :
YYYY - année de production,
ww – le numéro de la semaine du calendrier.

PM Lustreuse.

Données techniques

Modèle	PM 1026CE	PM 1324CE	PM 1631CE
Puissance consommée	1010 W	1300 W	1600 W
Vitesse à vide	800-2600 min ⁻¹	400-2400 min ⁻¹	600-3100 min ⁻¹
Outil	max.200 mm	max.220 mm	max.180 mm
Filet de fixation de la broche	M14	M14	M14
Longueur du filet de la broche	20 mm	20 mm	20 mm
Poids de l'outil (EPTA procédure 01/2003)	3.4 kg	3.7 kg	3.7 kg
Classe de protection (EN 60745-1) 	II	II	II

INFORMATION CONCERNANT LE BRUIT ET LES VIBRATIONS

Valeurs mesurées conformément à EN 60745.

Emission de bruit

A-niveau pondéré de pression sonore L _{PA}	91 dB(A)	91 dB(A)	92 dB(A)
Indéterminé K _{PA}	3.0 dB(A)	3.0 dB(A)	3.0 dB(A)
A-niveau pondéré de puissance sonore L _{WA}	102 dB(A)	102 dB(A)	103 dB(A)
Indéterminé K _{WA}	3.0 dB(A)	3.0 dB(A)	3.0 dB(A)

Utilisez des protecteurs auditifs!

Emission de vibrations*

Valeur globale des vibrations (somme vectorielle sur les trois axes) selon EN 60745:

Ponçage à l'aide de papier émeri			
Valeur des vibrations émises a _{h,DS}	5.1 m/s ²	4.9 m/s ²	4.9 m/s ²
Indéterminé K _{DS}	1.5 m/s ²	1.5 m/s ²	1.5 m/s ²
Lustrage de surfaces peintes à l'aide d'un disque en feutre			
Valeur des vibrations émises a _h	5.4 m/s ²	5.4 m/s ²	5.4 m/s ²
Indéterminé K	2.0 m/s ²	2.0 m/s ²	1.5 m/s ²

* Vibrations déterminées conformément au point 6.2.7 de EN 60745-1.

L'amplitude d' l'accélération indiquée dans ces instructions d'utilisation a été mesurée suivant les méthodes de mesurage conformément à la norme EN 60745 et peut être utilisée pour une comparaison d'appareils. Le niveau de vibration peut être utilisé pour faire une estimation provisoire du degré d'influence vibratoire.

Le niveau de vibration annoncé concerne la fonction principale de l'outil. Dans des cas où l'outil est destinée à une autre utilisation ou avec d'autres accessoires, ou s'il est mal entretenu, le niveau de vibration peut s'écarter de celui qui a été indiqué. Si c'est le cas, le degré d'influence peut fortement augmenter au cours de l'utilisation

Pour une estimation précise de l'influence vibratoire pendant un certain temps d'utilisation, il est recommandé de prendre aussi en considération les espaces de temps pendant lesquels l'appareil est éteint ou sous tension, mais pas vraiment utilisé. Ceci peut réduire considérablement l'influence vibratoire pendant toute la durée du travail.

Entretenez l'outil et ses accessoires en bon état. Gardez vos mains chaudes au cours de son utilisation – cela va diminuer les conséquences négatives lorsque vous travaillez à des hauts degrés de vibrations.

Lors de toutes les autres opérations, par exemple, le nettoyage à l'aide d'une brosse à fils de métal, les vibrations émises ont d'autres valeurs.

Les poussières de matériaux tels que peintures contenant du plomb, certains bois, minéraux ou métaux, peuvent être nuisibles à la santé. Toucher ou aspirer les poussières peut entraîner des réactions allergiques et/ou des maladies respiratoires auprès de l'utilisateur ou de personnes se trouvant à proximité.

Certaines poussières telles que les poussières de chêne ou de hêtre sont considérées cancérigènes, surtout en connexion avec des additifs pour le traitement de bois (chromate, lazure). Les matériaux contenant de l'amiante ne doivent être travaillés que par des personnes qualifiées.

- Si possible, utilisez une aspiration des poussières.
- Veillez à bien aérer la zone de travail.
- Il est recommandé de porter un masque respiratoire de la classe de filtre P2.

Respectez les règlements en vigueur dans votre pays spécifiques aux matériaux à traiter. Tous les modèles sont dotés d'un dispositif électronique intégré qui assure une accélération progressive jusqu'à ce que soit atteinte la vitesse nominale et une limitation à 16 A de la force du courant au démarrage.

Le symbole CE dans la dénomination type de l'appareil témoigne de la présence d'un dispositif électronique intégré qui assure la constance de la vitesse de rotation lors des variations de charge dans la totalité du diapason réglable.

Tous les modèles sont dotés d'un dispositif électronique intégré qui assure une protection contre les températures élevées en cas de surcharge de l'appareil.

Avertissements de sécurité généraux pour l'outil



AVERTISSEMENT! Lire tous les avertissements de sécurité et toutes les instructions. Ne pas suivre les avertissements et instructions peut donner lieu à un choc électrique, un incendie et/ou une blessure sérieuse.

Conserver tous les avertissements et toutes les instructions pour pouvoir s'y reporter ultérieurement.

Le terme «outil» dans les avertissements fait référence à votre outil électrique alimenté par le secteur (avec cordon d'alimentation) ou votre outil fonctionnant sur batterie (sans cordon d'alimentation).

1) Sécurité de la zone de travail

- Conserver la zone de travail propre et bien éclairée. Les zones en désordre ou sombres sont propices aux accidents.
- Ne pas faire fonctionner les outils électriques en atmosphère explosive, par exemple en présence de liquides inflammables, de gaz ou de poussières. Les outils électriques produisent des étincelles qui peuvent enflammer les poussières ou les fumées.
- Maintenir les enfants et les personnes présentes à l'écart pendant l'utilisation de l'outil. Les distractions peuvent vous faire perdre le contrôle de l'outil.

2) Sécurité électrique

- Il faut que les fiches de l'outil électrique soient adaptées au socle. Ne jamais modifier la fiche de quelque façon que ce soit. Ne pas utiliser d'adaptateurs avec des outils à branchement de terre. Des fiches non modifiées et des socles adaptés réduiront le risque de choc électrique.

- Eviter tout contact du corps avec des surfaces reliées à la terre telles que les tuyaux, les radiateurs, les cuisinières et les réfrigérateurs. Il existe un risque accru de choc électrique si votre corps est relié à la terre.
- Ne pas exposer les outils à la pluie ou à des conditions humides. La pénétration d'eau à l'intérieur d'un outil augmentera le risque de choc électrique.
- Ne pas maltraiter le cordon. Ne jamais utiliser le cordon pour porter, tirer ou débrancher l'outil. Maintenir le cordon à l'écart de la chaleur, du lubrifiant, des arêtes ou des parties en mouvement. Des cordons endommagés ou emmêlés augmentent le risque de choc électrique.
- Lorsqu'on utilise un outil à l'extérieur, utiliser un prolongateur adapté à l'utilisation extérieure. L'utilisation d'un cordon adapté à l'utilisation extérieure réduit le risque de choc électrique.
- Si l'usage d'un outil dans un emplacement humide est inévitable, utiliser une alimentation protégée par un dispositif à courant différentiel résiduel (RCD). L'usage d'un RCD réduit le risque de choc électrique.

3) Sécurité des personnes

- Rester vigilant, regarder ce que vous êtes en train de faire et faire preuve de bon sens dans votre utilisation de l'outil. Ne pas utiliser un outil lorsque vous êtes fatigué ou sous l'emprise de drogues, d'alcool ou de médicaments. Un moment d'inattention en cours d'utilisation d'un outil peut entraîner des blessures graves des personnes.
- Utiliser un équipement de sécurité. Toujours porter une protection pour les yeux. Les équipements de sécurité tels que les masques contre les poussières, les chaussures de sécurité antidérapantes, les casques ou les protections acoustiques

utilisés pour les conditions appropriées réduiront les blessures de personnes.

- c) **Éviter tout démarrage intempestif.** S'assurer que l'interrupteur est en position arrêt avant de brancher l'outil au secteur et/ou au bloc de batteries, de le ramasser ou de le porter. *Porter les outils en ayant le doigt sur l'interrupteur ou brancher des outils dont l'interrupteur est en position marche est source d'accidents.*
 - d) **Retirer toute clé de réglage avant de mettre l'outil en marche.** *Une clé laissée fixée sur une partie tournante de l'outil peut donner lieu à des blessures de personnes.*
 - e) **Ne pas se précipiter.** Garder une position et un équilibre adaptés à tout moment. *Cela permet un meilleur contrôle de l'outil dans des situations inattendues.*
 - f) **S'habiller de manière adaptée.** Ne pas porter de vêtements amples ou de bijoux. Garder les cheveux, les vêtements et les gants à distance des parties en mouvement. *Des vêtements amples, des bijoux ou les cheveux longs peuvent être pris dans des parties en mouvement.*
 - g) **Si des dispositifs sont fournis pour le raccordement d'équipements pour l'extraction et la récupération des poussières, s'assurer qu'ils sont connectés et correctement utilisés.** *Utiliser des collecteurs de poussière peut réduire les risques dus aux poussières.*
- 4) **Maintenance et entretien de l'outil**
- a) **Ne pas forcer l'outil.** Utiliser l'outil adapté à votre application. *L'outil adapté réalisera mieux le travail et de manière plus sûre au régime pour lequel il a été construit.*
 - b) **Ne pas utiliser l'outil si l'interrupteur ne permet pas de passer de l'état de marche à arrêt et vice versa.** *Tout outil qui ne peut pas être commandé par l'interrupteur est dangereux et il faut le réparer.*
 - c) **Débrancher la fiche de la source d'alimentation en courant et/ou le bloc de batteries de l'outil avant tout réglage, changement d'accessoires ou avant de ranger l'outil.** *De telles mesures de sécurité préventives réduisent le risque de démarrage accidentel de l'outil.*
 - d) **Conserver les outils à l'arrêt hors de la portée des enfants et ne pas permettre à des personnes ne connaissant pas l'outil ou les présentes instructions de le faire fonctionner.** *Les outils sont dangereux entre les mains d'utilisateurs novices.*

e) **Observer la maintenance de l'outil.** Vérifier qu'il n'y a pas de mauvais alignement ou de blocage des parties mobiles, des pièces cassées ou toute autre condition pouvant affecter le fonctionnement de l'outil. En cas de dommages, faire réparer l'outil avant de l'utiliser. *De nombreux accidents sont dus à des outils mal entretenus.*

f) **Garder affûtés et propres les outils permettant de couper.** *Des outils destinés à couper correctement entretenus avec des pièces coupantes tranchantes sont moins susceptibles de bloquer et sont plus faciles à contrôler.*

g) **Utiliser l'outil, les accessoires et les lames etc., conformément à ces instructions, en tenant compte des conditions de travail et du travail à réaliser.** *L'utilisation de l'outil pour des opérations différentes de celles prévues pourrait donner lieu à des situations dangereuses.*

5) Maintenance et entretien

a) **Faire entretenir l'outil par un réparateur qualifié utilisant uniquement des pièces de rechange identiques.** *Cela assurera que la sécurité de l'outil est maintenue.*

Instructions supplémentaires de sécurité lors du travail avec des lustreuses

Instructions générales de sécurité lors du ponçage à l'aide de papier émeri et de disques en fibres, du nettoyage à l'aide d'une brosse en fils de métal, du lustrage à l'aide de disques de feutre, d'éponges à lustrer, de bonnets en fourrure de mouton et de disques de feutre à bride:

a) Cet outil électrique est destiné à fonctionner comme machine avec brosse métallique ou lustreuse. Lire toutes les mises en garde de sécurité, les instructions, les illustrations et les spécifications fournies avec cet outil électrique. *Le fait de ne pas suivre toutes les instructions données ci-dessous peut provoquer un choc électrique, un incendie et/ou une blessure grave.*

- b) **Les opérations de meulage ou de tronçonnage ne sont pas recommandées avec cet outil électrique.** *Les opérations pour lesquelles l'outil électrique n'a pas été conçu peuvent provoquer un danger et causer un accident corporel.*
- c) **Ne pas utiliser d'accessoires non conçus spécifiquement et recommandés par le fabricant d'outils.** *Le simple fait que l'accessoire puisse être fixé à votre outil électrique ne garantit pas un fonctionnement en toute sécurité.*
- **Ne jamais monter des fraises disques ou des meules.**
 - **N'utiliser que des accessoires appropriés au matériau travaillé et la vitesse de rotation.**
- d) **La vitesse assignée de l'accessoire doit être au moins égale à la vitesse maximale indiquée sur l'outil électrique.** *Les accessoires fonctionnant plus vite que leur vitesse assignée peuvent se rompre et voler en éclat.*
- e) **Le diamètre extérieur et l'épaisseur de votre accessoire doivent se situer dans le cadre des caractéristiques de capacité de votre outil électrique.** *Les accessoires dimensionnés de façon incorrecte ne peuvent pas être protégés ou commandés de manière appropriée.*
- f) **La taille de mandrin des meules, flasques, patins d'appui ou tout autre accessoire doit s'adapter correctement à l'arbre de l'outil électrique.** *Les accessoires avec alésages centraux ne correspondant pas aux éléments de montage de l'outil électrique seront en déséquilibre, vibreront excessivement, et pourront provoquer une perte de contrôle.*
- g) **Ne pas utiliser d'accessoire endommagé.** *Avant chaque utilisation examiner les accessoires comme les meules abrasives pour détecter la présence éventuelle de copeaux et fissures, les patins d'appui pour détecter des traces éventuelles de fissures, de déchirure ou d'usure excessive, ainsi que les brosses métalliques pour détecter des fils desserrés ou fissurés. Si l'outil électrique ou l'accessoire a subi une chute, examiner les dommages éventuels ou installer un accessoire non endommagé. Après examen et installation d'un accessoire, placez-vous ainsi que les personnes présentes à distance du plan de l'accessoire rotatif et faire marcher*
- l'outil électrique à vitesse maximale à vide pendant 1 min. Les accessoires endommagés seront normalement détruits pendant cette période d'essai.*
- h) **Porter un équipement de protection individuelle.** *En fonction de l'application, utiliser un écran facial, des lunettes de sécurité ou des verres de sécurité. Le cas échéant, utiliser un masque anti-poussières, des protections auditives, des gants et un tablier capables d'arrêter les petits fragments abrasifs ou des pièces à usiner. La protection oculaire doit être capable d'arrêter les débris volants produits par les diverses opérations. Le masque antipoussières ou le respirateur doit être capable de filtrer les particules produites par vos travaux. L'exposition prolongée aux bruits de forte intensité peut provoquer une perte de l'audition.*
- i) **Maintenir les personnes présentes à une distance de sécurité par rapport à la zone de travail.** *Toute personne entrant dans la zone de travail doit porter un équipement de protection individuelle. Des fragments de pièce à usiner ou d'un accessoire cassé peuvent être projetés et provoquer des blessures en dehors de la zone immédiate d'opération.*
- **Fixer la pièce travaillée dans un étau ou à l'aide d'un dispositif de fixation approprié.**
 - **Ne pas exercer une pression latérale pour faire arrêter le disque après avoir débranché la machine.**
 - **N'amener l'outil sur la pièce à travailler que lorsqu'il est mis en rotation.**
- j) **Placer le câble éloigné de l'accessoire de rotation.** *Si vous perdez le contrôle, le câble peut être coupé ou subir un accroch et votre main ou votre bras peut être tiré dans l'accessoire de rotation.*
- k) **Ne jamais reposer l'outil électrique avant que l'accessoire n'ait atteint un arrêt complet.** *L'accessoire de rotation peut agripper la surface et arracher l'outil électrique hors de votre contrôle.*
- l) **Ne pas faire fonctionner l'outil électrique en le portant sur le côté.** *Un contact accidentel avec l'accessoire de rotation pourrait accrocher vos vêtements et attirer l'accessoire sur vous.*
- m) **Nettoyer régulièrement les orifices d'aération de l'outil électrique.** *Le ventilateur du moteur attirera la poussière à l'intérieur du boîtier et une accumulation excessive*

de poudre de métal peut provoquer des dangers électriques.

- n) **Ne pas faire fonctionner l'outil électrique à proximité de matériaux inflammables.** Des étincelles pourraient enflammer ces matériaux.
- o) **Ne pas utiliser d'accessoires qui nécessitent des réfrigérants fluides.** L'utilisation d'eau ou d'autres réfrigérants fluides peut aboutir à une électrocution ou un choc électrique.
- **Utiliser l'outil que pour le polissage à sec.**
 - **L'appareil doit être utilisé uniquement pour les travaux pour lesquels il a été prévu.** Toute autre utilisation, différente que celle décrite dans la présente instruction, doit être considérée comme abusive. Le producteur décline toute responsabilité en cas de dommage ou de blessure causée par une utilisation abusive, cette responsabilité étant alors entièrement assumée par l'utilisateur.
 - **Le producteur décline toute responsabilité en cas de modifications apportées à l'appareil électrique ou de dommages provoqués par ces modifications.**
 - **Lors du travail dans un milieu poussiéreux, les orifices de ventilation de la machine doivent être gardés propres.** S'ils ont besoin d'être nettoyés de la poussière, commencez par couper le courant, puis utilisez pour le nettoyage des outils non métalliques en veillant à ne pas endommager les pièces intérieures de la machine. L'appareil électrique risque de se surchauffer en cas de refroidissement insuffisant dû à l'obstruction des orifices de ventilation.

Autres instructions de sécurité pour toutes les opérations

Rebonds et mises en garde correspondantes

Le rebond est une réaction soudaine au pincement ou à l'accrochage d'une meule rotative, d'un patin d'appui, d'une brosse ou de tout autre accessoire. Le pincement ou l'accrochage provoque un blocage rapide de l'accessoire en rotation qui, à son tour, contraint l'outil électrique hors de contrôle dans le sens opposé de rotation de l'accessoire au point du grippage.

Le rebond résulte d'un mauvais usage de l'outil et/ou de procédures ou de conditions de fonctionnement incorrectes et peut être évité en

prenant les précautions appropriées spécifiées ci-dessous.

- a) **Maintenir fermement l'outil électrique et placer votre corps et vos bras pour vous permettre de résister aux forces de rebond.** Toujours utiliser une poignée auxiliaire, le cas échéant, pour une maîtrise maximale du rebond ou de la réaction de couple au cours du démarrage. L'opérateur peut maîtriser les couples de réaction ou les forces de rebond, si les précautions qui s'imposent sont prises.
- b) **Ne jamais placer votre main à proximité de l'accessoire en rotation.** L'accessoire peut effectuer un rebond sur votre main.
- c) **Ne pas vous placer dans la zone où l'outil électrique se déplacera en cas de rebond.** Le rebond pousse l'outil dans le sens opposé au mouvement de la accessoire au point d'accrochage.
- d) **Apporter un soin particulier lors de travaux dans les coins, les arêtes vives etc.** Éviter les rebondissements et les accrochages de l'accessoire. Les coins, les arêtes vives ou les rebondissements ont tendance à accrocher l'accessoire en rotation et à provoquer une perte de contrôle ou un rebond.

Mises en garde de sécurité spécifiques aux opérations de ponçage

- a) **Ne pas utiliser de papier abrasif trop surdimensionné pour les disques de ponçage.** Suivre les recommandations des fabricants, lors du choix du papier abrasif. Un papier abrasif plus grand s'étendant au-delà du patin de ponçage présente un danger de lacération et peut provoquer un accrochage, une déchirure du disque ou un rebond.

Mises en garde de sécurité spécifiques aux opérations de lustrage

- a) **Ne permettre à aucune partie lâche du bonnet de lustrage ou de ses fils de fixation de tourner librement.** Cacher ou tailler tous les fils de fixation lâches. Les fils de fixation lâches et en rotation peuvent s'enchevêtrer sur vos doigts ou s'accrocher sur la pièce à usiner.

Mises en garde de sécurité spécifiques aux opérations de brossage métallique

- a) **Garder à l'esprit que des brins métalliques sont rejetés par la brosse même au**

cours d'une opération ordinaire. Ne pas soumettre à une trop grande contrainte les fils métalliques en appliquant une charge excessive à la brosse. Les brins métalliques peuvent aisément pénétrer dans des vêtements légers et/ou la peau.

- b) **Si l'utilisation d'un protecteur est recommandée pour le brossage métallique, ne permettre aucune gêne du touret ou de la brosse métallique au protecteur. Le touret ou la brosse métallique peut se dilater en diamètre en raison de la charge de travail et des forces centrifuges.**

Description de l'appareil électrique

Avant de commencer le travail avec l'appareil électrique, prenez connaissance des particularités de son fonctionnement et des conditions de sécurité à respecter.

L'appareil et ses accessoires doivent être utilisés uniquement pour les travaux pour lesquels ils ont été prévus. Toute autre utilisation est strictement interdite.

1. Broche
2. Bouton de blocage de la broche
3. Bouton de blocage de l'interrupteur
4. Interrupteur
5. Potentiomètre pour le réglage de la vitesse de rotation.
6. Poignée auxiliaire fermée
7. Rondelle
8. Boulon
9. Disque élastique à système d'adhérence
17. Clé à écrou SW 22.

ACCESSOIRES POUVANT ETRE UTILISES AVEC CET APPAREIL ELECTRIQUE

- 6b. Poignée accessoire latérale
- 9b. Disque élastique à bride de support et de serrage
10. Outil à système d'adhérence pour sa fixation au disque élastique (disque intermédiaire mou, feuille abrasive, éponge, disque en feutre, bonnet en fourrure de mouton)
11. Outil à bride dotée d'un écrou incorporé (disque en toile, éponge, disque en feutre, brosse)
12. Protection pour la poignée auxiliaire
13. Bride de butée

14. Bride de serrage
15. Feuille abrasive (papier émeri)
16. Bonnet en fourrure de mouton
18. Clé à écrou

Instructions pour le travail

Ces appareils électriques sont alimentés uniquement par un courant alternatif monophasé. Ils possèdent une double isolation, conformément à EN 60745-1 et IEC 60745-1 et peuvent être branchés à des prises qui ne possèdent pas de bornes de protection. Pour ce qui est des interférences radio, il est conforme aux la directive sur la compatibilité électromagnétique 2004/108/CE.

Cet instrument électrique est destiné au ponçage grossier et fin à sec, au nettoyage et au brossage, au polissage et au frottement de tout type de surfaces, à une vitesse de rotation optimalement choisie.

AVANT LE DEBUT DU TRAVAIL

- Assurez-vous que la tension du secteur correspond à celle indiquée sur la plaquette contenant les données techniques sur l'instrument.
- Vérifiez la position de l'interrupteur. L'appareil doit être toujours branché et débranché du secteur son interrupteur étant en position OFF. Si vous branchez l'appareil au secteur son interrupteur étant en position de marche, l'appareil se mettra immédiatement a fonctionner, ce qui crée un danger d'accident.
- Assurez-vous que le câble électrique et sa fiche sont en parfait état. Si le câble d'alimentation est endommagé, il doit être remplacé par le producteur ou un spécialiste agréé par celui-ci afin d'éviter les éventuels risques liés a son remplacement.



AVERTISSEMENT: Arrêtez toujours l'appareil électrique et débranchez-le du réseau avant d'effectuer sur celui-ci tout réglage et opération de service ou d'entretien ou lors d'une baisse de la tension dans le réseau d'alimentation.

- Si la zone de travail est éloignée de la prise de courant, utilisez une rallonge aussi courte que possible, à section du câble appropriée.
- Vérifiez si la poignée auxiliaire est correctement montée et bien serrée.

MARCHE - ARRET

La lustreuse est protégée contre une mise en marche involontaire.

Mise en marche d'une courte durée :

Mise en marche : Appuyez d'abord sur le bouton de blocage 3 de l'interrupteur, puis sur l'interrupteur 4.

Arrêt : Relâchez l'interrupteur 4.

Travail continu :

Mise en marche : L'appareil étant mis en marche, on presse sur le bouton (3) et on relâche le levier de l'interrupteur (4).

Arrêt : Le levier de l'interrupteur (4) est pressé une fois, puis relâché immédiatement après.

MONTAGE DE L'ENSEMBLE ET DES OUTILS

L'appareil est fourni normalement doté d'un disque élastique à écrou incorporé pour le vissage direct sur la broche et possédant un système d'adhérence pour la fixation de l'outil sur le disque.

D'autres ensembles sont également possibles. Lors du montage et du démontage d'outils (d'accessoires) de lustrage et de ponçage; par vissage/dévissage de la broche, fixez la broche 1 sur la lustreuse en pressant sur le bouton 2, situé sur le boîtier du réducteur.



AVERTISSEMENT: Il est interdit de presser sur le bouton 2 lorsque la broche tourne !

MONTAGE DE LA POIGNEE AUXILLIAIRE

La poignée auxiliaire 6 ou 6b doit être montée pour tout genre de travail exécuté avec l'appareil.

La poignée auxiliaire 6 est fixée au réducteur de l'appareil moyennant deux boulons 8 dotés de rondelles 7 qu'on place sous les têtes des boulons. Le serrage et le dévissage des boulons est fait à l'aide de la clé à écrou SW22. L'orientation de la poignée par rapport à l'appareil est effectuée de façon à assurer le confort de l'opérateur.

La poignée auxiliaire 6b peut être fixée au choix du côté droit, sur le dessus ou du côté gauche du boîtier du réducteur. Elle est vissée directement au boîtier du réducteur de l'appareil.

En cas de besoin, avec la poignée auxiliaire 6b peut être utilisé la protection 12.

DISQUE ELASTIQUE

Le disque 9 est vissé directement sur la broche. Sur le disque peuvent être fixés des outils 10 dotés d'un système d'adhérence pour leur fixation - du papier émeri, une éponge de lustrage, un disque en feutre, un bonnet en fourrure d'agneau, etc.

Pour le démontage (le dévissage) du disque; en cas de besoin, peut être utilisé une clé à écrou. Si vous utilisez le disque élastique 9b doté d'une bride de serrage, il est nécessaire de placer la bride de butée 13, le disque 9b et le papier émeri 15 sur la broche. Vissez la bride de serrage 14 et serrez-la à l'aide de la clé à écrou 18.

FIXATION DE L'OUTIL SUR LE DISQUE ELASTIQUE À SYSTÈME D'ADHÉRENCE (VELCRO)

L'outil fixé sur le disque doit être du type Ømin148. Il doit adhérer bien au disque et lors de son montage il faut respecter sa coaxialité par rapport au disque. Les outils montés de façon excentrique provoquent des battements et des vibrations.



AVERTISSEMENT: Utilisez uniquement des outils à système d'adhérence en parfait état. Après avoir remplacé le disque, laissez l'appareil tourner à vide avec le nouveau disque pendant au moins 30 secondes.



AVERTISSEMENT: Les disques qui vibrent ou tournent incorrectement doivent être immédiatement remplacés.

BROSSE EN FILS DE METAL

L'appareil peut être utilisé avec une brosse en fils de métal en forme de gobelet ou de disque possédant un filet de fixation M14.

Vissez la brosse en fils de métal sur la broche 1 et serrez-la à l'aide d'une clé.

BONNET EN FOURRURE DE MOUTON

Le bonnet en fourrure de mouton est placé sur le disque élastique 9b et adhère de façon uniforme à toute la surface.

Le bonnet est fixé au disque de lustrage à l'aide d'un cordon.

Les extrémités du cordon sont fourrés entre le bonnet et le disque de lustrage.

RONDELLE DE LUSTRAGE EN FEUTRE ET EPONGE DE LUSTRAGE A BRIDE

Vissez la rondelle de lustrage en feutre ou l'éponge à bride sur la broche 1.

RONDELLE EN TOILE

La rondelle en toile est fixée à l'aide d'un porteur se composant d'un goujon à orifice et filet, d'une bride de butée et d'une bride de serrage. La rondelle en toile est montée par vissage sur la broche de l'appareil.

COMMANDE ELECTRONIQUE DE L'APPAREIL



AVERTISSEMENT: N'utilisez pas l'appareil si sa partie électronique n'est pas en parfait état de fonctionnement, car ceci exerce une influence sur son fonctionnement à grande vitesse. Une défaillance de la partie électronique peut être détectée par l'absence de démarrage progressif de l'appareil ou par l'impossibilité de régler la vitesse de rotation.

La lustreuse est dotée d'un réglage électronique à deux semi-périodes qui possède les fonctions suivantes :

Démarrage progressif et limitation du courant au démarrage

Un tel démarrage assure la mise en marche de l'appareil sans secousse compense les fluctuations de tension dans le réseau d'alimentation.

Réglage de la vitesse de rotation de la broche

Le réglage progressif de la vitesse de rotation de la broche est effectué compte tenu du type de travail que doit exécuter l'opérateur. Le diagramme de réglage est représenté sur le Tableau 1 :

Tableau 1

Position	Vitesse, min ⁻¹		
	PM 1026CE	PM 1324CE	PM 1631CE
A	800	400	600
B	1100	700	1000
C	1400	1000	1400
D	1700	1300	1800
E	2000	1600	2200
F	2300	1900	2600
G	2600	2400	3100



AVERTISSEMENT: Sélectionnez préalablement la vitesse convenable pour l'opération à exécuter à l'aide du potentiomètre 5, conformément au tableau 1. Compte tenu de l'opération à effectuer et à la vitesse sélectionnée, utilisez l'outil convenable. Pour le lustrage, n'utilisez pas une vitesse supérieure à 1500 min⁻¹.

Stabilisation de la vitesse de rotation

La vitesse de rotation préalablement sélectionnée est stabilisée grâce à l'électronique, afin que soit limité le ralentissement de la vitesse de rotation de la broche lors des variations de charge.

Protection contre la température élevée

Afin de protéger l'appareil contre un échauffement excessif (pouvant conduire à la destruction du moteur) lors d'une longue utilisation accompagnée de surcharge, cet appareil est doté d'une protection contre la température élevée. Avant que la température critique ne soit atteinte, l'électronique arrête l'appareil et celui-ci passe en régime de protection. Pour remettre l'appareil en régime de fonctionnement, vous devez l'arrêter, puis le remettre en marche.

Entretien



AVERTISSEMENT: Arrêtez toujours l'appareil et débranchez-le du réseau avant d'effectuer sur celui-ci toute vérification et toute opération d'entretien.

REMPACEMENT DES BALAIS

L'appareil est doté de balais qui se déconnectent automatiquement. Lorsque les balais sont usés, il faut les remplacer les deux à la fois par des balais d'origine de SPARKY pour l'entretien de l'appareil dans le cadre de la garantie et en dehors de celle-ci.

EXAMEN GENERAL

Vérifiez régulièrement tous les éléments de fixation pour vous assurer qu'ils sont solidement serrés. Si quelque vis s'est desserrée, resserrez-la immédiatement afin d'éviter tout risque. Si le câble d'alimentation est endommagé, il doit être remplacé par le producteur ou un spécialiste agréé par celui-ci afin d'éviter les éventuels risques liés à son remplacement.

NETTOYAGE

Pour assurer un fonctionnement sécurisé, entretenez toujours l'appareil et ses orifices de ventilation propres.

Vérifiez régulièrement si dans les orifices de ventilation du moteur électrique ou autour des commutateurs il n'y a pas de poussière ni de corps étrangers. Utilisez une brosse douce et/ou un jet d'air comprimé pour éliminer la poussière accumulée à ces endroits. Afin de protéger vos yeux, lors des opérations de nettoyage, portez des lunettes de protection.

Si le boîtier de l'appareil a besoin d'être nettoyé, essuyez-le à l'aide d'un chiffon doux humide. Vous pouvez utiliser un produit de nettoyage peu agressif.



AVERTISSEMENT: Il est interdit d'utiliser de l'alcool, de l'essence ou d'autres solvants. N'utilisez jamais des produits agressifs pour le nettoyage des pièces en matière plastique.



AVERTISSEMENT: Ne pas permettre à de l'eau d'entrer en contact avec l'appareil.

AVIS IMPORTANT! Afin d'assurer la sécurité du travail avec l'appareil et le fonctionnement fiable de celui-ci, toutes les opérations de réparation, d'entretien et de réglage (y compris la vérification de l'état des balais et leur remplacement) doivent être effectuées dans les centres d'entretien agréés de SPARKY avec l'utilisation exclusive de pièces d'origine.

Garantie

La période de garantie des outils électroportatifs SPARKY est définie dans le contrat de garantie.

La garantie ne couvre pas les pannes apparues suite à l'usure naturelle, une surcharge ou une mauvaise exploitation.

Les pannes survenues pour cause de matériaux défectifs et/ou d'erreurs de fabrication seront réparées gratuitement ou le produit sera échangé.

Les réclamations pour un instrument SPARKY défectueux seront honorées si la machine est retournée au livreur ou est présentée à un service après-vente agréé assemblé et dans son état original (assemblée).

Notes

Lire attentivement les instructions avant d'utiliser ce produit.

Le producteur retient son droit d'améliorer ses produits et de changer les spécifications sans avis spécial.

Les spécifications peuvent varier selon le pays.

Tableau 2

Matériau	Annexe	Instrument/matériau de consommation	Vitesse recommandée en tours à la minute
Surfaces peintes et laquées Matière plastique Bois Pierre	Application et friction aux pâtes de lustrage Lustrage pour l'obtention d'un éclat.	Disque en feutre, éponge de lustrage, bonnet en fourrure de mouton, disque en laine, disque en toile	400-1100
Matière plastique Métaux non ferreux Pierre	Lustrage	Disque de lustrage en feutre (rondelle en feutre), disque en toile	900-1300
Matière plastique Bois Métaux non ferreux	Lissage de surfaces	Feuille de ponçage	1200-2000
Métal Bois	Élimination de peinture	Feuille de ponçage	2000-2400
Métal Bois	Élimination de rouille Brossage	Brosses en fils de métal	2000-2400
Profilés en bois Volets	Relustrage et brossage de peinture sèche craquelée	Brosses en fils de métal	2300-2900
Pierre	Ponçage	Feuille abrasive	2500-3100

Indice

Introduzione	35
Dati tecnici	37
Istruzioni generali di sicurezza nel lavoro con elettro utensili	38
Istruzioni supplementari di sicurezza nel lavoro con lucidatrici.....	39
Prendere visione dell'elettro utensile	A/41
Istruzioni per l'uso	42
Manutenzione	44
Garanzia	45

DISIMBALLO

Prima dell'uso verificare la presenza di tutti i componenti e degli accessori elencati. In caso di mancanze o apparenti difetti rivolgersi al rivenditore specializzato. L'inosservanza di tale raccomandazione potrebbe provocare gravi incidenti.

ASSEMBLAGGIO

La lucidatrice viene fornita imballata e completamente montata, ad eccezione dell'utensile, dei materiali di consumo e delle impugnature supplementari..

Introduzione

Questo utensile SPARKY supererà le Vostre aspettative. La produzione secondo i rigorosi standard di qualità SPARKY assicura un'ottima prestazione. Se utilizzato correttamente, l'utensile risulterà maneggevole e sicuro, e garantirà un uso duraturo.

AVVERTENZA:



Leggere attentamente tutte le istruzioni prima dell'utilizzo dell'utensile. Leggere con cura soprattutto le parti introdotte da "Attenzione!". Questo utensile SPARKY presenta numerose caratteristiche che faciliteranno il Suo lavoro. Sicurezza, qualità ed affidabilità sono punti chiave nello sviluppo di questo utensile, e lo rendono semplice nell'uso e nella manutenzione.



Non smaltire elettro utensili insieme a rifiuti domestici!

Residui di prodotti elettrici devono essere smaltiti separatamente dai rifiuti domestici e sottoposti ad un riciclaggio ecologico. Si prega di informarsi presso le autorità locali o i rivenditori specializzati circa il più vicino luogo di raccolta.

RISPETTO DELL'AMBIENTE



Macchina, accessori ed imballaggio devono essere destinati ad una riutilizzazione ecologica per il recupero di materie prime.
I componenti in plastica sono contrassegnati per relativo riciclaggio.

SIMBOLI

L'etichetta che si trova sulla macchina contiene alcuni simboli. Questi forniscono importanti informazioni sull'utensile o istruzioni sull'uso dello stesso.



Doppio isolamento per una protezione supplementare



Filettatura di attacco dell'alberino M14



Corrisponde alle direttive europee applicabili.



Conformità alle esigenze dei documenti normativi russi.



Conforme alle esigenze dei documenti normativi ucraini.



Prendere conoscenza delle istruzioni per l'uso



Indossare sempre occhiali protettivi

YYYY-Www Periodo di produzione, ove i simboli variabili sono:


YYYY – l'anno di produzione,

ww – la settimana di calendario consecutiva

PM

Lucidatrice.

Dati tecnici

Modello	PM 1026CE	PM 1324CE	PM 1631CE
Potenza assorbita	1010 W	1300 W	1600 W
Numero di giri a vuoto	800-2600 min ⁻¹	400-2400 min ⁻¹	600-3100 min ⁻¹
Utensile	max.200 mm	max.220 mm	max.180 mm
Filettatura di fissaggio dell'alberino	M14	M14	M14
Lunghezza della filettatura dell'alberino	20 mm	20 mm	20 mm
Peso (EPTA procedura 01/2003)	3,4 kg	3,7 kg	3,7 kg
Classe di protezione (EN 60745-1) 	II	II	II

INFORMAZIONI SUL RUMORE E SULLE VIBRAZIONI

I valori sono stati misurati conformemente all'EN 60745.

Emissione di rumore

A- livello di pressione sonora ponderata L_{pA}	91 dB(A)	91 dB(A)	92 dB(A)
Indeterminazione K_{pA}	3,0 dB(A)	3,0 dB(A)	3,0 dB(A)
A- livello di potenza sonora ponderata L_{wA}	102 dB(A)	102 dB(A)	103 dB(A)
Indeterminazione K_{wA}	3,0 dB(A)	3,0 dB(A)	3,0 dB(A)

Usare mezzi per protezione dal rumore!

Emissione di vibrazioni *

Valore totale delle vibrazioni (somma vettoriale lungo i tre assi), determinato conformemente alla norma EN 60745:

Lucidatura di superficie metallica con carta vetrata			
Valore delle vibrazioni emesse $a_{h,DS}$	5,1 m/s ²	4,9 m/s ²	4,9 m/s ²
Indeterminazione K_{DS}	1,5 m/s ²	1,5 m/s ²	1,5 m/s ²
Pulitura di superficie verniciata con rondella di feltro			
Valore delle vibrazioni emesse a_n	5,4 m/s ²	5,4 m/s ²	5,4 m/s ²
Indeterminazione K	2,0 m/s ²	2,0 m/s ²	1,5 m/s ²

* Le vibrazioni sono state determinate conformemente al punto 6.2.7 della norma EN 60745-1.

Il livello di vibrazione sopra indicato è stato definito seguendo il metodo di misurazione riportato nella normativa EN 60745 e può essere utilizzato per confrontare tra di loro diversi elettroutensili. Inoltre è adatto per effettuare una stima provvisoria del livello di esposizione.

Il livello di vibrazione si riferisce alle modalità d'uso principali dell'utensile. Tuttavia, se utilizzato per scopi diversi da quelli previsti, con punte poco stabili o senza adeguata manutenzione, il livello di vibrazione può variare. Ciò può aumentare sensibilmente il livello di esposizione durante il lavoro.

Per una precisa definizione del livello di esposizione dovrebbe essere preso in considerazione anche l'arco di tempo in cui l'utensile è spento o funzionante ma non in uso. Ciò può ridurre sostanzialmente il livello di esposizione durante il lavoro.

Utilizzare l'utensile e gli accessori con cura, e maneggiarlo mantenendo le mani calde così da ridurre gli effetti dannosi dell'elevato livello di vibrazioni.

Polvere derivante da materiali come vernici contenenti particelle di piombo, alcuni tipi di legno, minerali e metallo potrebbe essere nociva. Il contatto o l'inalazione di tali polveri potrebbe causare reazioni allergiche e/o problemi al sistema respiratorio dell'utente o di terzi.

Talune tipologie di polveri, come ad esempio quella derivante da legno di quercia o faggio, soprattutto se trattati con additivi e conservanti, sono classificate come cancerogene. Si consiglia di fare trattare materiali contenenti asbesto solo a persone esperte.

- Se possibile collegare sempre la macchina ad un dispositivo di aspirazione.

- Tenere l'area di lavoro ben pulita e ventilata.

- Si consiglia l'uso di una mascherina o filtro di classe P2.

Osservare le direttive nazionali relative al materiale da lavorare.

Il modello è munito di dispositivo elettronico integrato, che assicura un'accelerazione dolce fino a raggiungere i giri nominali e la limitazione della corrente di avviamento fino a 16 A.

Il simbolo CE nella designazione del tipo della macchina indica la presenza di un dispositivo elettronico integrato, che assicura il costante numero di giri sotto carico nell'intera gamma regolabile. Tutti i modelli sono muniti di un dispositivo elettronico integrato, che assicura la protezione termica della macchina in caso di sovraccarico.

Istruzioni generali di sicurezza nel lavoro con elettrotensili



AVVERTENZA! Leggere tutte le istruzioni d'uso e le avvertenze di sicurezza. L'inosservanza delle istruzioni seguenti può causare folgorazioni, incendi e/o gravi danni a persone.

Conservare con cura queste istruzioni.

Il termine "utensile" in tutte le avvertenze successive si riferisce sia agli utensili collegati alla rete elettrica (con cavo di alimentazione) che agli utensili a batteria (senza cavo).

1) Area di lavoro

- Mantenere l'area di lavoro pulita e ben illuminata. Le zone buie ed ingombre di oggetti favoriscono incidenti.
- Non utilizzare l'utensile in presenza di liquidi infiammabili, gas o polvere. Le scintille generate potrebbero infiammare polvere e/o vapore.
- Tenere a distanza bambini e terzi durante il funzionamento. Per una distrazione potreste perdere il controllo dell'utensile.

2) Sicurezza elettrica

- La spina dell'utensile deve essere adatta alla presa utilizzata. Non modificare la spina in alcun modo. Non utilizzare adattatori con gli utensili collegati a terra. L'impiego di una spina integra ed una presa adatta riduce i rischi di folgorazione.
- Evitare di toccare con il corpo le superfici collegate a terra quali tubi, radiatori, forni e frigoriferi. Il rischio di folgorazione aumenta se il corpo è collegato a terra.
- Non esporre l'utensile alla pioggia e all'umidità. La penetrazione d'acqua nell'utensile aumenta il rischio di folgorazione.
- Non utilizzare il cavo per scopi diversi da quello previsto. Non utilizzare il cavo per trasportare o tirare l'utensile, op-

pure per staccare la spina dalla presa. Tenere il cavo lontano da fonti di calore, olio, parti appuntite o in movimento. Cavi danneggiati o attorcigliati aumentano il rischio di folgorazione.

- Se l'utensile viene utilizzato all'aperto, usare una prolunga adatta all'uso esterno. L'impiego di una prolunga da esterno riduce il rischio di folgorazione.
- Se il lavoro in una ambiente umido è strettamente necessario, utilizzare una presa protetta da dispositivo a corrente residua. Ciò riduce i rischi di scosse.

3) Sicurezza personale

- L'uso di elettrotensili richiede attenzione e buon senso. Non utilizzare gli utensili se si è stanchi o sotto l'effetto di droghe, alcol o medicinali. Una breve disattenzione può provocare gravi danni alle persone.
- Munirsi di indumenti e dispositivi di protezione. Indossare sempre occhiali da lavoro. L'uso di dispositivi di protezione tra cui mascherina antipolvere, scarpe antiscivolo, casco e protezioni per l'udito riduce il rischio di danni a persone.
- Evitare l'accensione accidentale. Accertarsi che l'interruttore sia in posizione "OFF" prima di inserire la spina. Se si trasportano gli utensili con il dito sull'interruttore o si inserisce la spina nella presa con l'interruttore in posizione "ON" aumenta il rischio di incidenti.
- Togliere tutte le chiavi di regolazione prima di accendere l'utensile. Una chiave lasciata inserita in una parte rotante di un utensile può provocare danni a persone.
- Non utilizzare l'utensile in condizioni estreme. Mantenere sempre l'equilibrio ed i piedi ben appoggiati a terra. Questo consente un maggior controllo dell'utensile in caso di imprevisti.
- Indossare un abbigliamento adeguato. Non indossare abiti svolazzanti o gioielli. Tenere capelli, vestiti, e guanti lontani dalle parti in movimento. Abiti svolazzanti, gioielli o capelli potrebbero impigliarsi nelle parti in movimento.
- In presenza di apparecchiature per il col-

legamento a dispositivi di aspirazione e raccolta delle polveri, accertarsi che essi siano collegati ed utilizzarli correttamente. *L'uso di queste apparecchiature può ridurre i rischi causati dalla polvere.*

4) Uso e manutenzione dell'utensile

- a) **Utilizzare l'utensile più adatto per il lavoro da svolgere.** *L'impiego dell'utensile giusto migliora la qualità del lavoro e la sicurezza.*
- b) **Non utilizzare l'utensile se non è possibile accenderlo e spegnerlo con l'apposito interruttore.** *Gli utensili che non possono essere controllati con l'interruttore sono pericolosi e devono essere riparati.*
- c) **Staccare la spina dall'alimentazione di corrente prima di eseguire regolazioni, cambiare accessori o riporre l'utensile.** *Osservando queste precauzioni si riduce il rischio di accensione accidentale dell'utensile.*
- d) **Riporre gli utensili non utilizzati fuori dalla portata dei bambini e non consentirne l'utilizzo a persone che non conoscono l'utensile o queste istruzioni.** *Nelle mani di persone inesperte gli utensili possono diventare pericolosi.*
- e) **Sottoporre l'utensile a manutenzione.** *Verificare il corretto allineamento di tutte le parti mobili, controllare che non siano grippate e che non vi siano rotture o altri guasti che potrebbero influire sul funzionamento dell'utensile. Far riparare gli utensili danneggiati prima di riutilizzarli. Molti incidenti sono causati da utensili in pessime condizioni.*
- f) **Tenere le punte e gli strumenti da taglio puliti ed affilati.** *Se sottoposti ad una regolare manutenzione e pulizia consentono di lavorare in modo più preciso e sono maggiormente controllabili.*
- g) **Utilizzare l'utensile, gli accessori, gli attrezzi etc. secondo quanto indicato in queste istruzioni nonché tenendo in considerazione le condizioni di lavoro e il lavoro da eseguire.** *L'impiego di utensili per scopi diversi da quelli per cui sono stati progettati può dare origine a situazioni pericolose.*

5) Manutenzione

- a) **Far riparare l'utensile da personale qualificato che utilizzi solo parti di ricambio originali.** *In caso contrario la sicurezza dell'utensile potrebbe risultare compromessa.*

Istruzioni supplementari di sicurezza nel lavoro con lucidatrici

Istruzioni generali di sicurezza nella levigatura con carta vetrata e dischi in fibra, pulizia con spazzola metallica, lucidatura con dischi di feltro, tamponi in spugna, cuffie in lana d'agnello e dischi di feltro con flangia:

- a) **Questo elettroutensile può essere usato come una levigatrice e una macchina di pulizia con spazzola metallica.** *Leggere tutte le indicazioni di sicurezza, istruzioni, immagini e dati che avete ricevuto con la macchina. La mancata soddisfazione delle indicazioni di sicurezza potrebbe provocare lesione di corrente elettrica, incendio e/o ferimento grave.*
- b) **Questo elettroutensile non è adatto per smerigliatura o taglio con mola abrasiva.** *Operazioni per le quali l'elettroutensile non è destinato, potrebbero generare pericoli e provocare ferimento.*
- c) **Non usare accessori che non sono permessi o consigliati dal produttore appositamente per questo utensile.** *Il solo fatto che si può fissare l'accessorio al Vostro elettroutensile, non garantisce il suo uso sicuro.*
 - **Non montare in nessun caso lame, o mole disegnate per smerigliatrici angolari.**
 - **Usare soltanto accessori che corrispondono esclusivamente al materiale lavorato e alla velocità di rotazione.**
- d) **Il numero di giri nominale dell'accessorio deve essere almeno uguale a quello massimo indicato sull'elettroutensile.** *Accessori che girano con una velocità superiore alla loro velocità nominale, potrebbero rompersi e i loro pezzi volare via.*
- e) **Il diametro esterno e lo spessore dell'utensile devono rientrare nei limiti indicati del Vostro elettroutensile.** *Accessori con dimensioni inconvenienti non possono essere protetti o guidati bene.*
- f) **Flange di serraggio, dischi elastici o altri accessori, devono collimare precisamente sull'alberino dell'elettroutensile.** *Accessori che non collimano precisamente sull'alberino dell'elettroutensile, girano in*

maniera non uniforme, vibrano troppo e potrebbero causare perdita di controllo.

- g) **Non usare accessori guasti.** Verificare prima di ogni impiego gli accessori – i dischi elastici per incrinature, lacerazione o forte logorio, le spazzole metalliche per fibre allentate o rotte. Se l'elettrotensile o l'accessorio viene lasciato cadere, controllare per danneggiamento o montare un accessorio non danneggiato. Avendo controllato e montato l'accessorio, mettersi insieme alle persone estranee fuori del piano di rotazione dell'accessorio e lasciare l'elettrotensile funzionare a giri massimi a vuoto per un minuto. Di solito questo tempo è sufficiente per gli accessori guasti di rompersi.
- h) **Indossare mezzi personali di protezione.** A seconda del caso concreto, usare uno scudo protettivo per la faccia, od occhiali protettivi. Usare se necessario maschera antipolvere, mezzi per protezione dell'udito, guanti protettivi o un grembiule speciale, per trattenere le particelle provenienti dall'accessorio di levigatura o pulizia, o dal pezzo da lavorare. I mezzi per protezione degli occhi devono proteggere dai frammenti volanti risultanti dalle diverse operazioni. Le maschere antipolvere o antigas devono filtrare le particelle emanate durante il lavoro. L'esposizione continuativa a forte rumore può provocare perdita dell'udito.
- i) **Tenere le persone estranee a distanza sicura dall'area del lavoro.** Ogni individuo che si trova nell'area del lavoro deve indossare mezzi personali di protezione. È possibile che frammenti volanti provenienti dal pezzo da lavorare o da un accessorio rotto, causino ferimento anche fuori dai limiti dell'immediata area di lavoro.
- **Fissare il pezzo da lavorare in una morsa o in qualche altro modo convenevole.**
 - **Non esercitare pressione laterale per fermare la rotazione del disco dopo aver spento la macchina.**
 - **Guidare la macchina contro il pezzo da lavorare soltanto nello stato acceso.**
- k) **Tenere il cavo di alimentazione fuori dalla portata operativa dell'accessorio girante.** Se si perde il controllo dell'elettrotensile, il cavo di alimentazione potrebbe essere tagliato, o intricare il palmo o la mano nella portata dell'utensile girante.
- l) **Non posare mai l'elettrotensile prima che l'accessorio abbia completamente smesso di girare.** L'accessorio girante potrebbe impigliare il materiale lavorato e farVi perdere il controllo dell'elettrotensile.
- m) **Non lasciare l'elettrotensile in funzionamento mentre viene portato.** Un tocco casuale dell'accessorio girante agli indumenti potrebbe impigliarli e l'accessorio potrebbe ferire il Vostro corpo.
- n) **Pulire regolarmente i fori di ventilazione dell'elettrotensile.** Il ventilatore del motore elettrico succhia polvere nella carcassa, e l'ammassamento eccessivo di polvere metallica può causare pericolo di scossa elettrica.
- o) **Non usare l'elettrotensile in vicinanza di materiali infiammabili.** Le scintille possono accendere tali materiali.
- p) **Non usare accessori, il lavoro con i quali richiede mezzi liquidi refrigeranti.** L'uso di acqua o altri mezzi liquidi refrigeranti potrebbe causare lesione o scossa elettrica.
- **La macchina può essere usata soltanto in lucidatura secca.**
 - **Usare l'elettrotensile soltanto secondo la sua destinazione d'uso.** Ogni altro impiego, differente da quello descritto in queste istruzioni, sarà considerato impiego erraneo. La responsabilità per qualsiasi guasto o ferimento che risulta da uso erraneo, cadrà sull'utente, e non sul fabbricante.
 - **Il fabbricante non sarà tenuto responsabile per modifiche apportate dall'utente all'elettrotensile, o per guasti causati da tali modifiche.**
 - **Al lavoro in un ambiente polveroso mantenere puliti i fori di ventilazione della macchina.** Se questi devono essere puliti dalla polvere, disinnescare prima l'alimentazione elettrica e usare oggetti non metallici per pulire la polvere, stando attenti di non danneggiare i pezzi interni della macchina. L'elettrotensile sarà sovrarisaldato con raffreddamento diminuito a causa dei fori di ventilazione impolverati.
 - **Non usare l'elettrotensile all'aperto quando piove, in un ambiente umido (dopo una pioggia), o in vicinanza di liquidi o gas facilmente infiammabili.** Il posto di lavoro deve essere ben illuminato.

Altre istruzioni di sicurezza per tutte le operazioni

Rimbalzo (contraccolpo) e le istruzioni di sicurezza relative ad esso

Il contraccolpo è la reazione subitanea in seguito ad un incastro o bloccaggio di accessorio, per esempio un disco abrasivo, disco elastico, spazzola metallica, ecc. L'incastro o bloccaggio cagiona l'improvviso arresto della rotazione dell'accessorio, che da parte sua spinge l'elettrotensile incontrollabile nella direzione contraria al senso di rotazione dell'utensile nel punto d'incastro.

Il contraccolpo è il risultato di uso erraneo e/o operazione erranea, o improprie condizioni di lavoro con l'elettrotensile, che si potrebbe prevenire attraverso le precauzioni adatte, descritte qui di seguito.

- a) **Tenere l'elettrotensile saldamente, occupare un atteggiamento appropriato, e mettere le mani di modo che si possa trattenere la forza del rimbalzo. Usare sempre l'impugnatura supplementare, se l'elettrotensile ne è munito, per avere il maggiore controllo possibile della forza del contraccolpo, o del momento reattivo nell'inserimento. Attraverso le precauzioni adatte l'operatore può contenere il momento reattivo ed il contraccolpo.**
- b) **Non stendere mai le braccia in prossimità dell'accessorio rotante. L'accessorio potrebbe balzare sulla Vostra mano.**
- c) **Non mettersi entro il raggio in cui l'elettrotensile si sarebbe spostato dopo un contraccolpo. Il contraccolpo muove l'elettrotensile nel senso contrario al movimento del disco, nel punto di bloccaggio.**
- d) **Nel trattare angoli, spigoli acuti, ecc., lavorare con attenzione aumentata. Non permettere all'accessorio di balzare o di bloccarsi nel pezzo lavorato. Nella lavorazione di angoli o spigoli acuti esiste la probabilità per l'accessorio rotante di incurarsi, causando così la perdita di controllo o contraccolpo.**

Istruzioni speciali di sicurezza nella levigatura:

- a) **Non permettere a parti allentate della custodia in lana o al cordone fissante di girare liberamente. Infilare le estremità libere del cordone fissante sotto la custodia o serrarle. Gli allentati cordoni gi-**

ranti di fissaggio potrebbero impigliarsi tra le dita o attaccarsi al pezzo da lavorare.

Istruzioni specifiche di sicurezza nella smerigliatura con carta vetrata

- a) **Non usare fogli di carta vetrata troppo grossi, osservare le istruzioni del costruttore sulle dimensioni della carta vetrata. Foglio di carta vetrata che sporge dal disco elastico, è soggetto al pericolo di lacerazione e può causare bloccaggio, lo squarcio della carta vetrata, o contraccolpo.**

Istruzioni specifiche di sicurezza nel lavoro con spazzole metalliche:

- a) **Tenere presente che anche a lavoro normale dalla spazzola metallica cadono fibre metalliche. Non sovraccaricare le fibre premendo troppo forte la spazzola. Le fibre metalliche che si staccano penetrano facilmente attraverso indumenti sottili e/o nella pelle.**
- b) **Se nel lavoro con spazzola metallica si consiglia l'impiego di riparo, non permettere al riparo e alla spazzola metallica a disco o a tazza di toccarsi. Le spazzole metalliche a disco o a tazza possono aumentare il proprio diametro sotto l'effetto della pressione durante il lavoro, e delle forze centrifughe.**

Prendere visione dell'elettrotensile

Prima di cominciare a lavorare con l'elettrotensile, prendere conoscenza di tutte le caratteristiche operative e norme di sicurezza.

Impiegare l'elettrotensile e i suoi accessori solo per la loro destinazione d'uso. Qualsiasi altra applicazione è espressamente vietata.

1. Alberino
2. Pulsante per il blocco dell'alberino
3. Pulsante per il blocco dell'interruttore
4. Interruttore ON/OFF
5. Potenzimetro per la regolazione dei giri
6. Impugnatura supplementare chiusa
7. Rondella
8. Bullone
9. Piattello elastico con velcro
17. Chiave meccanica SW 22

ACCESSORI CHE POSSONO ESSERE USATI CON QUESTO ELETTROUTENSILE

- 6b. Impugnatura supplementare laterale
- 9b. Platorello con flangia di supporto e serraggio
- 10. Utensile con velcro per fissaggio al platorello (disco morbido intermedio, mola abrasiva, tampone in spugna, disco di feltro, cuffia in lana d'agnello)
- 11. Utensile con flangia con dado incorporato (disco di tela, tampone in spugna, disco di feltro, spazzola)
- 12. Riparo per l'impugnatura supplementare
- 13. Flangia di supporto
- 14. Flangia di serraggio
- 15. Foglio abrasivo (carta vetrata)
- 16. Cuffia in lana d'agnello
- 18. Chiave a forchetta

Istruzioni per l'uso

Questo elettROUTENSILE viene alimentato soltanto di corrente alternata monofase. Si può inserire in prese senza piattine di massa, avendo un isolamento doppio conformemente all'EN 60745-1 e all'IEC 60745-1. I disturbi radio corrispondono alla Direttiva sulla compatibilità elettromagnetica 2004/108/EC.

Questo elettROUTENSILE è destinato alla levigatura grossa e fine secca, alla pulizia e spazzolatura, lucidatura e sfregamento di ogni tipo di superfici con velocità di rotazione selezionata in modo ottimale.

PRIMA DI COMINCIARE IL LAVORO

- Accertarsi che la tensione della rete elettrica corrisponde a quella riportata sulla targhetta con i dati tecnici dell'elettROUTENSILE.
- Verificare in quale posizione si trova l'interruttore ON/OFF. L'elettROUTENSILE deve essere innestato nella presa o disinnestato dalla rete di alimentazione soltanto ad interruttore disinserito. Se la spina viene innestata nella presa quando l'interruttore è in posizione inserita, l'elettROUTENSILE si metterà immediatamente in moto, il quale fatto comporta infortuni.
- Accertarsi del buono stato del cordone e della spina. Se il cordone è guasto, la sostituzione va effettuata dal costruttore o da un suo specialista di centro assistenza tecnica, per evitare i pericoli della sostituzione.



ATTENZIONE: Spegnerne sempre l'elettROUTENSILE e tirare la spina dalla presa prima di effettuare qualsiasi regolazione, aggiustaggio o manutenzione, e ad abbassamento della tensione di alimentazione.

- Se l'area del lavoro è lontana dalla fonte di alimentazione, usare una prolunga che sia la più corta possibile, con sezione adatta.
- Verificare che l'impugnatura supplementare sia montata correttamente e serrata in maniera affidabile.

AVVIAMENTO - ARRESTO

La lucidatrice è assicurata contro avviamento involontario.

Messa in moto per breve tempo:

Avviamento: Premere all'inizio il pulsante supplementare 3 per il blocco dell'interruttore, e poi la leva principale dell'interruttore ON/OFF 4.

Arresto: Rilasciare l'interruttore 4.

Lavoro continuativo:

Avviamento: Con la macchina ormai accesa, premere il pulsante 3 e rilasciare la leva dell'interruttore ON/OFF 4.

Arresto: Premere la leva dell'interruttore 4 una sola volta e rilasciarlo subito.

MONTAGGIO DEGLI ACCESSORI IN DOTAZIONE E DEGLI UTENSILI

Come standard la macchina è munita di un platorello elastico con dado integrato per avvita-mento diretto sull'alberino e con un sistema a velcro di attacco dell'utensile sul platorello.

Sono possibili anche altri tipi di allestimento.

Nel montaggio e smontaggio di utensili (accessori) di lucidatura, levigatura, mediante avvita-mento/svitamento all'alberino, fissare l'alberino 1 della lucidatrice premendo il pulsante 2, che si trova sulla scatola di riduzione.



ATTENZIONE: Non è ammesso premere il pulsante 2 mentre l'alberino gira!

MONTAGGIO DELL'IMPUGNATURA SUPPLEMENTARE

L'impugnatura supplementare 6 o 6b deve stare montata durante ogni tipo di lavoro con la macchina.

Fissare l'impugnatura supplementare 6 al riduttore della macchina per mezzo di due bulloni 8

e rondelle 7 sotto le teste dei bulloni. Avvitare e svitare i bulloni con la chiave SW22. L'orientamento dell'impugnatura verso la macchina si può fare con la comodità dell'operatore in mente.

L'impugnatura supplementare 6b può essere fissata a piacimento sul lato destro, superiore o sinistro della scatola di riduzione. Essa va avvitata direttamente alla scatola di riduzione della macchina.

Se ritenuto necessario, con l'impugnatura supplementare 6b si può usare il riparo 12.

PLATORELLO

Avvitare il platorello 9 direttamente all'alberino. Al platorello si possono attaccare utensili 10, muniti del sistema di fissaggio a velcro: carta vetrata, tampone in spugna, disco di feltro, cuffia in lana d'agnello, ecc.

Per lo smontaggio (lo svitamento) del platorello usare se necessario una chiave meccanica.

Se il platorello 9b viene usato con flangia di serraggio, è necessario porre la flangia di supporto 13, il platorello 9b, e la carta vetrata 15 sull'alberino. Avvitare la flangia di serraggio 14 e stringere con la chiave a forchetta 18.

FISSAGGIO DELL'UTENSILE AL PLATORELLO CON IL SISTEMA DI FISSAGGIO A VELCRO

L'utensile che si attacca sul platorello deve essere di $\varnothing_{min}148$. Esso deve aderire bene al platorello e nel montaggio si deve osservare il suo posizionamento coassiale rispetto al disco. Gli utensili montati in modo eccentrico inducono martellamento e vibrazioni.



ATTENZIONE: Usare soltanto platorelli con il sistema "a velcro" in ordine. Dopo il cambio del platorello fare la macchina funzionare a vuoto con il platorello nuovo per un minimo di 30 secondi.



ATTENZIONE: I platorelli che vibrano o girano erroneamente, vanno sostituiti subito.

SPAZZOLA METALLICA

La macchina può funzionare con una spazzola metallica a tazza o a disco, con la filettatura di fissaggio M14.

Avvitare la spazzola metallica all'alberino 1 e stringere con una chiave.

CUFFIA IN LANA D'AGNELLO

Mettere la cuffia in lana d'agnello sul platorello 9b e stenderla uniformemente sull'intera superficie.

Fissare la cuffia sul platorello di lucidatura mediante un cordone.

Infilare le estremità del cordone in dentro tra la cuffia e il platorello di lucidatura.

RONDELLA DI LUCIDATURA IN FELTRO E TAMPONE IN SPUGNA CON FLANGIA

Avvitare la rondella di lucidatura in feltro o il tampone in spugna con flangia all'alberino 1.

RONDELLA IN TESSUTO (LAPPATORE)

La rondella in tessuto è legata con l'ausilio di un supporto, consistente di un perno con foro e filettatura, una flangia di supporto e di serraggio. Montare la rondella in tessuto avvitandola sull'alberino della macchina.

COMANDO ELETTRONICO DELLA MACCHINA



ATTENZIONE: Non lavorare con la macchina se l'elettronica è guasta, perché ciò comporta il funzionamento ad un numero di giri elevato. Il guasto dell'elettronica può essere individuato per l'assenza di un avviamento piano, o per l'impossibilità di regolare i giri.

La lucidatrice è stata sviluppata con comando elettronico a due semiperiodi, il quale presenta le seguenti funzioni:

Inserimento dolce e limitazione della corrente di avviamento

Tale inserimento assicura un avviamento della macchina senza spinte e previene la generazione di fluttuazioni della tensione nella rete di alimentazione.

Correzione della velocità di rotazione dell'alberino

La correzione piana della velocità di rotazione dell'alberino si svolge conformemente al tipo del lavoro eseguito dall'operatore. Il campo di regolazione è conforme alla Tabella 1:

Tabella 1

Posizione	Velocità, min ⁻¹		
	PM 1026CE	PM 1324CE	PM 1631CE
A	800	400	600
B	1100	700	1000
C	1400	1000	1400
D	1700	1300	1800
E	2000	1600	2200
F	2300	1900	2600
G	2600	2400	3100



ATTENZIONE: Scegliere in anticipo una velocità adatta per l'operazione eseguita, con il potenziometro 5 conformemente alla tabella 1.

Per l'operazione eseguita e la velocità scelta, usare un utensile appropriato. Non usare per la lucidatura una velocità superiore a 1500 min⁻¹.

Stabilizzazione della velocità di rotazione

Il numero di giri preselezionato viene costantemente stabilizzato dall'elettronica, per limitare l'abbassamento della velocità dell'alberino a grandezza variabile del carico.

Protezione termica

Per proteggere l'elettrotoutensile da surriscaldamento inammissibile (bruciatura del motore), è prevista nel processo di esercizio continuativo in regime di sovraccarico, la protezione termica. Prima di arrivare alla temperatura critica, l'elettronica disinserisce la macchina ed essa passa dal regime di funzionamento al regime di protezione.

Per passare al regime di servizio e necessario muovere l'interruttore su OFF, e quindi di nuovo su ON.

Manutenzione



ATTENZIONE: Disinserire sempre l'elettrotoutensile e disinnestare la spina dalla presa prima di effettuare qualsiasi verifica o manutenzione.

SOSTITUZIONE DELLE SPAZZOLE

L'elettrotoutensile è munito di spazzole che si disinseriscono da sole. Quando le spazzole diventano usurate, le due spazzole vanno sostituite simultaneamente con spazzole originali in un centro assistenza SPARKY per manutenzione in o fuori garanzia.

VERIFICA GENERALE

Verificare regolarmente tutti gli elementi di sfregio e accertarsi che siano saldamente stretti. Nel caso in cui qualche vite si è allentata, stringerla subito, per evitare situazioni di rischio.

Se il cavo di alimentazione viene danneggiato, la sostituzione va effettuata dal fabbricante o da un suo specialista di centro assistenza tecnica, per ovviare ai pericoli della sostituzione.

PULIZIA

Per un lavoro sicuro mantenere sempre puliti la macchina e i fori di ventilazione.

Controllare regolarmente che nella griglia di ventilazione vicino al motore elettrico o intorno ai commutatori non siano penetrati polvere o corpi estranei. Usare una setola soffice per rimuovere la polvere accumulata. Per proteggere gli occhi, indossare durante la pulizia occhiali protettivi.

Se la carcassa della macchina necessita di pulizia, strofinarla con un soffice panno umido. Si può usare un detersivo debole.



ATTENZIONE: Non è ammesso l'uso di alcole, benzina o altri solventi. Non adoperare mai preparati attaccanti per la pulizia delle parti plastiche.



ATTENZIONE: Non è ammessa l'entrata di acqua in contatto con la macchina.

IMPORTANTE! Per provvedere al lavoro sicuro con l'elettrotoutensile, e alla sua affidabilità, tutte le attività relative alla riparazione, la manutenzione e la regolazione (ivi incluse la verifica e la sostituzione delle spazzole) si devono effettuare nei centri assistenza autorizzati SPARKY, usando soltanto pezzi di ricambio originali.

Garanzia

Il periodo di garanzia per gli utensili SPARKY ha validità a partire dalla data di acquisto ed è conforme alle normative europee.

Non sono coperti da garanzia danni derivanti da usura, sovraccarico o uso improprio.

L'azienda produttrice assicura la sostituzione di tutte le parti non funzionanti in cui si riconoscano difetti di materiale e/o di lavorazione.

Le prestazioni di garanzia saranno erogate solo se la macchina richiesta sarà inviata in condizioni integre al rivenditore o ad un centro di assistenza, accompagnata dallo scontrino fiscale.

Ulteriori informazioni

Leggere attentamente tutte le istruzioni prima di iniziare a lavorare con l'utensile.

L'azienda produttrice si riserva il diritto di apportare modifiche tecniche senza preavviso.

Le specifiche tecniche possono variare da paese a paese.

Tabella 2

Materiale	Applicazione	Utensile / materiale di consumo	Numero di giri raccomandato, min ⁻¹
Superfici colorate o verniciate Plastica Legno Pietra	Diffondere e spandere paste abrasive Lucidatura fino a ottenere la brillantezza	Disco in feltro, tampone in spugna, cuffia in lana d'agnello, disco in lana, disco in tessuto	400-1100
Plastica Metalli non ferrosi Pietra	Lucidatura	Disco in feltro lucidante (rondella in feltro), disco in tessuto	900-1300
Plastica Legno Metalli non ferrosi	Lisciatura di superfici	Foglio abrasivo	1200-2000
Metallo Legno	Asportazione di vernice	Foglio abrasivo	2000-2400
Metallo Legno	Rimozione di ruggine Spazzolatura	Spazzole metalliche	2000-2400
Profilati in legno Scuri di finestre	Ripetizione della lucidatura e spazzolatura di vernici secche crepate	Spazzole metalliche	2300-2900
Pietra	Levigatura	Foglio abrasivo	2500-3100

Contenido

Introducción	46
Datos técnicos	48
Instrucciones generales de seguridad al operar con herramientas eléctricas	49
Instrucciones adicionales de seguridad al operar con esmeriladoras pulidoras	51
Componentes principales de la herramienta eléctrica	A/53
Instrucciones para la operación	54
Mantenimiento	56
Garantía	57

DESENVASE

En conformidad con las tecnologías de grandes series generalmente aceptadas, es poco probable que su herramienta eléctrica sea defectuosa o que le falte alguna pieza. Si observa que algo no está en orden, no opere con la herramienta eléctrica hasta que su pieza dañada no haya sido sustituida o su defectuosidad no haya sido eliminada. El incumplimiento de esta recomendación puede conducir a un accidente de trabajo grave

ENSAMBLAJE

La pulidora se suministra empaquetada y ensamblada, salvo la herramienta de trabajo, los consumibles y las empuñaduras adicionales.

Introducción

La herramienta eléctrica SPARKY que acaba de adquirir superará sus expectativas. Ha sido fabricada conforme a las altas normas de calidad de SPARKY que responden a las exigencias más rigurosas del usuario. Su mantenimiento es fácil y es segura a la hora de explotarse. Si se usa correctamente, esta herramienta eléctrica le servirá con fiabilidad durante largos años.

¡ADVERTENCIA!



Lea con atención e íntegramente estas instrucciones de explotación antes de usar la herramienta eléctrica SPARKY que acaba de adquirir. Preste una atención especial a los textos encabezados por la palabra "Advertencia". Su herramienta eléctrica SPARKY posee muchas cualidades que facilitarán su trabajo. Al diseñarse esta herramienta eléctrica, se ha prestado una mayor atención a la seguridad, a las cualidades de explotación y a la fiabilidad que facilitan su mantenimiento y explotación.



¡No tire la herramienta eléctrica junto con los residuos domésticos!

Los residuos de productos eléctricos no deben recogerse junto con los residuos domésticos. Por favor, recíclelos en los lugares destinados a ello. Póngase en contacto con las autoridades locales o con un representante suyo para informarse respecto al reciclaje.

PROTECCIÓN DEL MEDIO AMBIENTE



Con miras a la protección del medio ambiente, esta herramienta eléctrica, sus accesorios y su envase deben someterse a un tratamiento adecuado para reutilizar las materias primas que contienen.

Para facilitar el reciclaje de las piezas fabricadas de materiales artificiales, éstas han sido marcadas de la forma correspondiente.

DESCRIPCIÓN DE LOS SÍMBOLOS

Sobre la placa de características técnicas de la herramienta eléctrica se han marcado símbolos especiales. Éstos facilitan información importante sobre el producto o instrucciones para su manejo.



Doble aislamiento de protección adicional.



Rosca de unión del husillo M14.



Conformidad con las directrices europeas aplicables.



Correspondencia con las exigencias de los documentos normativos rusos.



Compatible con los requisitos de los documentos normativos ucranianos.



Consulte el manual de usuario.




Lleve siempre gafas de protección.

YYYY-Www Período de producción en que los símbolos variables son:
YYYY – año de producción,
ww – semana natural consecutiva

PM Pulidora.

Datos técnicos

Modelo	PM 1026CE	PM 1324CE	PM 1631CE
Potencia consumida	1010 W	1300 W	1600 W
Revoluciones en marcha en vacío	800-2600 min ⁻¹	400-2400 min ⁻¹	600-3100 min ⁻¹
Herramienta de trabajo	max.200 mm	max.220 mm	max.180 mm
Rosca de unión del husillo	M14	M14	M14
Longitud de la rosca del husillo	20 mm	20 mm	20 mm
Peso (EPTA Procedimiento 01/2003)	3,4 kg	3,7 kg	3,7 kg
Clase de protección (EN 60745-1) 	II	II	II

INFORMACIÓN SOBRE EL RUIDO Y LAS VIBRACIONES

Los valores se han determinado según la norma EN 60745.

Emisión de ruidos

A- nivel medido de presión sonora L _{PA}	91 dB(A)	91 dB(A)	92 dB(A)
Indeterminación K _{PA}	3,0 dB(A)	3,0 dB(A)	3,0 dB(A)
A- nivel medido de potencia sonora L _{WA}	102 dB(A)	102 dB(A)	103 dB(A)
Indeterminación K _{WA}	3,0 dB(A)	3,0 dB(A)	3,0 dB(A)

¡Utilice medios de protección contra el ruido!

Emisión de vibraciones *

Valor total de las vibraciones (suma vectorial de tres direcciones) determinado según la norma EN 60745:

Esmerilado de superficie metálica con papel de lija			
Valor de las vibraciones emitidas a _{h,DS}	5,1 m/s ²	4,9 m/s ²	4,9 m/s ²
Indeterminación K _{DS}	1,5 m/s ²	1,5 m/s ²	1,5 m/s ²
Pulido de superficie pintada con arandela de fieltro			
Valor de las vibraciones emitidas a _h	5,4 m/s ²	5,4 m/s ²	5,4 m/s ²
Indeterminación K	2,0 m/s ²	2,0 m/s ²	1,5 m/s ²

* Las vibraciones se han determinado según el apartado 6.2.7 de la norma EN 60745-1...

El nivel de las vibraciones determinado en esta instrucción ha sido medido en conformidad con la metodología de ensayo indicada en EN 60745 y podrá utilizarse para comparar instrumentos eléctricos.

El nivel de las vibraciones podrá utilizarse para una evaluación previa del grado de influencia.

El nivel declarado de las vibraciones se refiere a la destinación principal del instrumento eléctrico. En los casos cuando el instrumento eléctrico se utilice con otra destinación, con otros accesorios o cuando el instrumento eléctrico no haya sido mantenido debidamente, el nivel de las vibraciones podrá ser diferente al indicado. En estos casos, el nivel de influencia podrá aumentar considerablemente dentro de los límites del período total de funcionamiento.

En la evaluación del nivel de influencia de las vibraciones se deberá tener en consideración el tiempo durante el cual el instrumento eléctrico queda desconectado o conectado, pero no se utiliza. Esto podrá reducir notablemente el nivel de influencia dentro de los límites del período total de funcionamiento.

¡Manténganse el instrumento eléctrico y los accesorios en buen estado! Procure tener las manos calientes durante el trabajo. Esto disminuirá la influencia nociva durante un trabajo con vibraciones elevadas.

El polvo desprendido en el procesamiento de los materiales, como pinturas que contienen plomo, algunos tipos de madera, minerales y metales, podrá ser peligroso para la salud. El contacto o la aspiración del polvo podrá provocar reacciones alérgicas y/o enfermedades de las vías respiratorias del operario o de las personas a su alrededor.

Algunos tipos de polvo, por ejemplo, de roble o de haya, se consideran cancerígenos, ante todo si se combinan con adiciones para procesar la madera (cromato, conservantes). El material que contenga asbesto se ha de procesar únicamente por especialistas.

- Cuando sea posible, utilice la evacuación de polvo.
- Asegure una buena ventilación del lugar de trabajo.

- Se recomienda usar una mascarilla antipolvo de protección con filtro clase P2.
- Respétese las disposiciones vigentes en su país acerca del procesamiento de los respectivos materiales.
- Todos los modelos están provistos de un dispositivo electrónico incorporado, que garantiza un des-enrosque suave hasta las revoluciones nominales, y limitación de la corriente de arranque hasta 16 A.
- El símbolo CE en el marcado tipo de la máquina indica la existencia de un dispositivo electrónico incorporado que asegura unas revoluciones constantes cuando hay carga en toda la gama regulable.
- Todos los modelos poseen un dispositivo electrónico incorporado, que garantiza la protección térmica de la máquina en caso de sobrecarga.

Instrucciones generales de seguridad al operar con herramientas eléctricas



ADVERTENCIA! Lea íntegramente estas advertencias e instrucciones de seguridad. Si no se respetan las advertencias e instrucciones de seguridad, podrá llegar a causarse una avería por la corriente eléctrica, un incendio y/o una lesión grave.

Guárdense todas las advertencias e instrucciones de seguridad para su uso futuro.

El término “herramienta eléctrica” empleado en todas las advertencias descritas a continuación se refiere a su instrumento eléctrico alimentado de la red (con un cordón eléctrico) y/o de una máquina eléctrica alimentada por una batería de acumuladores (sin cordón eléctrico).

1) Seguridad del puesto de trabajo

- Mantenga limpio y bien iluminado su puesto de trabajo.** El desorden y la insuficiente iluminación son premisas para un accidente de trabajo.
- No trabaje con la herramienta eléctrica en un entorno de aire explosivo donde hay líquidos inflamables, gases o polvo.** Las herramientas eléctricas producen chispas que pueden incendiar el polvo o el vapor.
- Mantenga a los niños y a las personas extrañas a una distancia cuando esté trabajando con una herramienta eléctrica.** Una distracción suya le puede hacer perder el control sobre el instrumento eléctrico.

2) Seguridad eléctrica

- Los enchufes de las herramientas eléctricas deben corresponder a la toma de corriente. No cambie el enchufe bajo ningún concepto. No emplee ningún enchufe adaptador en las herramientas eléctricas de puesta a tierra.** El uso de enchufes no modificados y su correspondiente toma de corriente reduce el riesgo de una avería causada por la corriente eléctrica.
- Evite el contacto de su cuerpo con la tierra o con superficies con puesta a tierra, como tubos, radiadores, cocinas y refrigeradores.** Si su cuerpo está con puesta a tierra, existe un mayor riesgo de producirse una avería por la corriente eléctrica.
- No exponga la herramienta eléctrica a la lluvia o en un ambiente húmedo.** La penetración del agua en el interior del instrumento eléctrico aumenta el riesgo de producirse una avería por la corriente eléctrica.
- Utilice el cordón eléctrico conforme a su destino. Jamás utilice el cordón eléctrico para trasladar el instrumento eléctrico, tirar o sacar el enchufe de la toma de corriente. Mantenga el cordón eléctrico alejado del calor, de lubricantes, aristas vivas o piezas móviles.** Los cordones eléctricos deteriorados o enredados aumentan el riesgo de producirse una avería por la corriente eléctrica.
- Al trabajar con la herramienta eléctrica a la intemperie, utilice un alargador apropiado para trabajar al aire libre.** La utilización de un alargador adecuado para trabajar a la intemperie reduce el riesgo de producirse una avería por la corriente eléctrica.
- Para interrumpir la alimentación, utilice un dispositivo de seguridad que se**

pone en funcionamiento por la corriente eléctrica restante de ser imprescindible el empleo de la herramienta eléctrica en un ambiente húmedo. *La aplicación de un dispositivo de seguridad reduce el riesgo de producirse una avería por la corriente eléctrica.*

3) Seguridad personal

- a) **Manténgase en alerta, trabaje con mayor atención y sea prudente mientras esté trabajando con la herramienta eléctrica. No utilice la herramienta eléctrica si estuviese cansado bajo el efecto de drogas, alcohol o medicamentos.** *Un instante de falta de atención al trabajar con un instrumento eléctrico puede provocar un grave accidente de trabajo.*
- b) **Utilice medios de protección personal. Lleve siempre medios para la protección de los ojos. Los medios de protección personal como carreta antipolvo, zapatos seguros con suela antideslizante, casco o protectores auditivos utilizados en condiciones concretas reducen el riesgo de accidentes de trabajo.**
- c) **Evite una puesta en marcha involuntaria. Antes de asir o trasladar el instrumento eléctrico, asegúrese de que el interruptor esté desconectado previa su conexión a la fuente de alimentación y/o a la batería de acumuladores. Puede dar lugar a un accidente de trabajo que la herramienta eléctrica sea trasladada con el dedo sobre el interruptor, o bien la conexión de dicha herramienta a una fuente de alimentación con el interruptor en posición conectada.**
- d) **Retire toda llave de ajuste o llaves de tuercas antes de conectar la herramienta eléctrica. Una llave de ajuste o llave de tuercas fijada a una pieza rotatoria puede producir un accidente de trabajo.**
- e) **¡No alargue la mano! Mantenga en todo momento la postura correcta y el equilibrio. Ello permitirá un mejor manejo de la herramienta eléctrica en caso de que se presente una situación inesperada.**
- f) **Lleve una ropa de trabajo adecuada. No lleve prendas anchas o joyas. Mantenga su cabello, vestimenta y guantes alejados de las piezas móviles. La ropa ancha, las joyas o el pelo largo se podrán enganchar a las piezas en movimiento.**
- g) **Siempre que sea posible, utilice equipos de aspiración o recogepolvos y asegúrese que estén conectados y que se**

utilicen correctamente. *El uso de estos dispositivos puede reducir los riesgos que son producto del polvo.*

4) Uso y cuidado de las herramientas eléctricas

- a) **No sobrecargue la herramienta eléctrica. Según el uso, hágase una correcta selección de la herramienta eléctrica.** La herramienta correctamente seleccionada funciona mejor y con mayor seguridad en el régimen de trabajo para el que ha sido diseñada.
- b) **No utilice la herramienta eléctrica si el interruptor no conmuta en posición de “conectado” y “desconectado”.** *Toda herramienta eléctrica que no pueda ser manejada con el interruptor es peligrosa y ha de ser reparada.*
- c) **Antes de efectuar cualquier ajuste, saque el enchufe de la red de alimentación, previo cambio de cualquier accesorio o antes de guardar la herramienta.** *Estas medidas de seguridad preventivas reducen el riesgo de poner en funcionamiento la herramienta eléctrica accidentalmente.*
- d) **Guarde las herramientas eléctricas que no hayan sido utilizadas en lugares que estén fuera del alcance de los niños, y no permita que trabajen con ella las personas que prestan servicios y desconozcan la herramienta eléctrica y estas instrucciones.** *Las herramientas eléctricas son peligrosas en manos de usuarios inexpertos.*
- e) **Mantenga la herramienta eléctrica. Averigüe si sus piezas móviles funcionan correctamente y se mueven con libertad, así como la integridad y el buen estado de las piezas, como también cualquier otra circunstancia que pudiera afectar de forma desfavorable el funcionamiento de la herramienta eléctrica.** En caso de que esté deteriorada, la herramienta habrá de repararse antes de que se continúe usando. *Muchos accidentes se deben al mal mantenimiento de las herramientas eléctricas.*
- f) **Mantenga las herramientas cortantes limpias y afiladas.** *Las herramientas cortantes con bordes afilados y cortantes que tengan un mantenimiento correcto es menos probable que bloqueen y son más fáciles de manejar.*
- g) **Utilice la herramienta eléctrica, los accesorios, las piezas, etc., de acuerdo con estas instrucciones y de la forma pre-**

vista para el tipo de herramienta eléctrica concreta, tomando en consideración las condiciones laborales y el trabajo a realizar. *El uso de la herramienta eléctrica con fines diferentes a aquellos para los que ha sido diseñada puede causar una situación de peligro.*

5) Servicio

- a) Repare su herramienta eléctrica con un técnico cualificado en reparaciones, utilizando sólo piezas de recambio originales. *Ello garantizará el mantenimiento y la seguridad de la herramienta eléctrica.*

Instrucciones adicionales de seguridad al operar con pulidoras

Indicaciones generales de seguridad al esmerilar con papel de lija y fibrodiscos, al limpiar con cepillo de alambre, al pulir con discos de fieltro, esponjas pulidoras, fundas de lana de cordero y discos de fieltro con brida:

- a) Esta herramienta eléctrica puede usarse como pulidora y máquina para limpiar con cepillo de alambre. Lea todas las instrucciones de seguridad, las indicaciones, las imágenes y los datos que haya obtenido con la máquina. *El incumplimiento de las instrucciones de seguridad puede provocar daños de corriente eléctrica, incendio y/o una lesión grave.*
- b) Esta herramienta eléctrica no es idónea para esmerilar y cortar con discos abrasivos. *Las operaciones para las que la herramienta eléctrica no está destinada pueden crear peligro y provocar lesiones.*
- c) No utilice accesorios que no hayan sido autorizados y recomendados por el fabricante especialmente para esta herramienta eléctrica. *El hecho de que pueda fijar el accesorio a su herramienta eléctrica no garantiza su uso seguro.*
- No monte bajo ningún concepto discos circulares o discos destinados a esmeriladoras angulares.
 - Utilice solamente accesorios que corresponden exclusivamente al material que se está procesando y a la velocidad de rotación.

- d) Las revoluciones nominales del accesorio deben ser, por lo menos, iguales a las revoluciones máximas indicadas en la herramienta eléctrica. *Los accesorios que giran a una velocidad superior a su velocidad nominal pueden romperse y sus trozos pueden empezar a volar.*
- e) El diámetro externo y el grosor de la herramienta de trabajo deben estar en los límites de las dimensiones indicadas para su herramienta eléctrica. *Los accesorios de dimensiones inapropiadas no pueden estar protegidos, ni pueden manejarse correctamente.*
- f) La bridas de apriete, los discos elásticos u otros accesorios deben encajar precisamente en el husillo de la herramienta eléctrica. *Los accesorios que no encajan exactamente en el husillo de la herramienta eléctrica giran de forma irregular, vibran demasiado y pueden provocar la pérdida de control.*
- g) No utilice accesorios dañados. Antes de cualquier uso, revise los accesorios: los discos elásticos, por grietas, rupturas o desgaste fuerte; los cepillos de alambre, por fibras aflojadas o rotas. Si llega a dejar caer la herramienta eléctrica o el accesorio, revise si se ha producido algún daño, o bien monte un accesorio en buen estado. Después de que el accesorio haya sido revisado y montado, sitúese junto con las personas extrañas fuera de la superficie de rotación del accesorio y deje que la herramienta eléctrica funcione a revoluciones máximas en marcha en vacío durante un minuto. *Generalmente, este tiempo es suficiente para que los accesorios dañados se rompan.*
- h) Lleve medios de protección personal. Según el caso concreto, utilice una pantalla protectora para el rostro o gafas de protección. Si es necesario, utilice una careta antipolvo, medios de protección del oído, guantes de protección o un delantal especial que retenga las partículas pequeñas del accesorio de esmerilado o de limpieza, o bien la pieza que se está procesando. *Los medios para proteger los ojos deben proteger contra los cascajos volantes que se hayan desprendido durante las distintas operaciones. Las caretas antipolvo y antigás deben filtrar las partículas que se desprenden durante la operación. La exposición duradera a un*

ruido fuerte puede causar pérdida de la audición.

- i) **Mantenga a las personas extrañas a una distancia segura de la zona de operación. Toda persona que se encuentre en la zona de operación debe llevar medios de protección personal.** *Es posible que los cascajos volantes de la pieza que se está procesando o de un accesorio roto provoquen una lesión también fuera de los límites de la zona de operación directa.*
 - Fije la pieza que está procesando en un apretador o de otra forma apropiada.
 - No ejerza presión lateral para detener la rotación del disco después de desconectar la máquina.
 - La máquina debe conducirse contra la pieza únicamente cuando esté conectada.
- k) **Mantenga el cable de alimentación fuera del alcance de funcionamiento del accesorio rotatorio. Si se llega a perder el control sobre la herramienta eléctrica, el cable de alimentación puede llegar a cortarse o a arrastrarle la palma o la mano hacia el alcance de la herramienta rotatoria.**
- l) **No deje nunca la herramienta eléctrica antes de que el accesorio haya dejado de girar completamente. El accesorio rotatorio puede llegar a atrapar el material que se está procesando, perdiéndose así el control sobre la herramienta eléctrica.**
- m) **No deje que la herramienta eléctrica funcione mientras la esté llevando. El roce casual del accesorio rotatorio con su vestimenta puede engancharla y lesionar su cuerpo.**
- n) **Limpie regularmente los orificios de ventilación de la herramienta eléctrica.** *El ventilador del motor eléctrico aspira polvo en el cuerpo, y la acumulación excesiva de polvo metálico puede provocar un peligro de electrocución.*
- o) **No utilice la herramienta eléctrica cerca de materiales combustibles. Las chispas pueden incendiar estos materiales.**
- p) **No utilice accesorios cuyo trabajo requiera medios de refrigeración líquidos. El uso del agua o de otros medios líquidos de refrigeración puede provocar daño o choque de corriente eléctrica.**
 - La máquina puede usarse solamente para pulir en seco.
 - La herramienta eléctrica debe usarse solamente según los fines para los que ha sido concebida. Se considera uso in-

correcto cualquier otro uso distinto del que se describe en estas instrucciones. La responsabilidad por cualquier daño o lesión originados por el uso incorrecto será asumida por el usuario y no por el fabricante.

- El fabricante no asume responsabilidad por las modificaciones en la herramienta eléctrica que hayan sido efectuadas por el usuario o por los daños que hayan sido provocados a raíz de semejantes modificaciones.
- Al operar en un entorno polvoriento, los orificios de ventilación de la máquina deben mantenerse limpios. Si es preciso limpiarlos del polvo, desconecte primero la alimentación y utilice objetos no metálicos para limpiar el polvo, procurando no dañar las piezas internas de la máquina. *La herramienta eléctrica se sobrecalentará si la refrigeración ha disminuido como consecuencia de que los orificios de ventilación se hayan cubierto de polvo.*
- La herramienta eléctrica no debe usarse al aire libre cuando esté lloviendo, en un entorno húmedo (después de llover) o cerca de líquidos y gases fácilmente inflamables. El puesto de trabajo debe estar bien iluminado.

Otras instrucciones de seguridad para todas las operaciones

Rebote (golpe contrario) e instrucciones de seguridad relacionadas con él

El rebote es la reacción repentina como consecuencia del acuñaamiento o del bloqueo de un accesorio, por ejemplo, el disco elástico, el cepillo de alambre, etc. El acuñaamiento o el bloqueo conducen a una parada inesperada de la rotación del accesorio, que, por su parte, empuja la herramienta eléctrica incontrolable en el sentido opuesto al sentido de rotación de la herramienta de trabajo, en el punto de acuñaamiento.

El rebote es el resultado del uso incorrecto y/o de la explotación incorrecta, o bien de las condiciones de trabajo con la herramienta eléctrica, y puede evitarse a través de las medidas de seguridad descritas a continuación.

- a) **Sujete fuertemente la herramienta eléctrica, adopte una posición apropiada del cuerpo y coloque sus manos de modo que pueda dominar la fuerza del rebote. Utilice siempre la empuñadura adicional, si la herramienta eléctrica está provista de ésta, para tener el mayor**

control posible sobre la fuerza del rebote o del momento reactivo al poner en marcha. *A través de medidas de seguridad apropiadas, el operador puede dominar el momento reactivo y el rebote.*

- b) **No deje nunca sus manos cerca del accesorio rotatorio.** *El accesorio puede rebotar sobre su mano.*
- c) **No se posicione en el área donde la herramienta eléctrica puede desplazarse al rebotar.** *El rebote acciona la herramienta eléctrica en dirección contraria a la del movimiento del disco o del cepillo, en el lugar de bloqueo.*
- d) **Cuando esté procesando ángulos, bordes agudos, etc., opere con mayor atención. No permita que el accesorio rebote o bloquee en la pieza.** *Al procesar ángulos y bordes agudos, existe la probabilidad de que el accesorio rotatorio se acufie, con lo cual se puede provocar una pérdida de control o un rebote.*

Instrucciones específicas de seguridad al pulir

- a) **No permita que las partes aflojadas de la funda de lana o del cable de sujeción giren libremente. Introduzca en la funda o atiese los extremos libres del cable de sujeción.** *Los cables de sujeción rotatorios y aflojados pueden enredarse en sus dedos o engancharse en la pieza.*

Instrucciones específicas de seguridad al esmerilar con papel abrasivo

- a) **No utilice hojas de papel abrasivo sumamente grandes; cumpla las instrucciones del fabricante acerca de las dimensiones del papel abrasivo.** *Una hoja de papel abrasivo que sobresalga del disco elástico está sujeta al peligro de romperse en pedazos y puede provocar el bloqueo, la ruptura del papel abrasivo, o bien un rebote.*

Instrucciones específicas de seguridad al operar con cepillos de alambre:

- a) **Tenga en cuenta que inclusive durante una operación normal del cepillo de alambre caen fibras de alambre. No sobrecargue las fibras, apretando el cepillo con demasiada fuerza.** *Las fibras de alambre que se desprenden penetran fácilmente a través de la ropa fina y/o de la piel.*

- b) **Si al operar con el cepillo de alambre se recomienda el uso de un dispositivo de seguridad, no permita que entre este dispositivo de seguridad y el cepillo de alambre de disco o caliciforme haya roce.** *Los cepillos de disco o caliciformes pueden aumentar su diámetro influido por la presión que surge durante la operación y por las fuerzas centrífugas.*

Componentes principales de la herramienta eléctrica

Antes de empezar a operar con la herramienta eléctrica, familiarícese con todas sus particularidades operativas y con las condiciones de seguridad.

Utilice la herramienta eléctrica y sus accesorios solamente según el fin con que han sido concebidos. Queda terminantemente prohibida cualquier otra aplicación.

1. Husillo
2. Botón para inmovilizar el husillo
3. Botón para inmovilizar el interruptor
4. Interruptor
5. Potenciómetro para regular las revoluciones
6. Asidero adicional cerrado
7. Arandela
8. Perno
9. Disco elástico con sistema adhesivo
17. Llave de tuercas SW 22

ACCESORIOS QUE PUEDEN USARSE CON ESTA HERRAMIENTA ELÉCTRICA

- 6b. Asidero adicional lateral
- 9b. Disco elástico con brida de apoyo y de apriete
10. Herramienta de trabajo con sistema adhesivo de fijación al disco elástico (disco intersticial blando, disco abrasivo, esponja, disco de fieltro, funda de lana de cordero)
11. Herramienta de trabajo con brida con tuerca incorporada (disco de lienzo, esponja, disco de fieltro, cepillo)
12. Mecanismo de seguridad para el asidero adicional
13. Brida de apoyo
14. Brida de apriete

- 15. Hoja abrasiva (papel de lija)
- 16. Funda de lana de cordero
- 18. Llave bicorne

Instrucciones para la operación

Esta herramienta eléctrica se alimenta sólo mediante voltaje monofásico alterno. Posee doble aislamiento, según las normas EN 60745-1 e IEC 60745, y puede conectarse a tomas de corriente sin bornes de protección. Las radiointerferencias corresponden a la Directiva de Compatibilidad Electromagnética 2004/108/CE.

Esta herramienta eléctrica está destinada a esmerilar en seco, de forma basta y fina, a limpiar y cepillar, pulir y frotar cualquier tipo de superficies a la velocidad de rotación óptima que ha sido seleccionada.

ANTES DE EMPEZAR LA OPERACIÓN

- Revise si el voltaje de la red eléctrica corresponde al indicado en la placa de datos técnicos de la herramienta eléctrica.
- Revise la posición en la que se encuentra el interruptor. La herramienta eléctrica debe conectarse y desconectarse de la red de alimentación solamente cuando el interruptor esté desconectado. Si el enchufe se introduce en la toma de corriente al estar el interruptor conectado, la herramienta eléctrica se accionará inmediatamente, y ello es una premisa de accidente.
- Cerciórese del buen estado del cable de alimentación y del enchufe. Si el cable de alimentación está dañado, su sustitución debe efectuarse por el fabricante o por un técnico de servicio suyo para evitar los peligros de la sustitución.



ADVERTENCIA: Desconecte siempre la herramienta eléctrica y saque el enchufe de la toma de corriente antes de efectuar cualquier ajuste, servicio o mantenimiento o al producirse una caída en el voltaje de alimentación.

- Si la zona de operación está alejada de la fuente de alimentación, utilice un prolongador de sección apropiada lo más corto posible.
- Revise si la empuñadura adicional ha sido colocada correctamente y si ha sido tensada de forma segura.

CONEXIÓN - DESCONEXIÓN

La pulidora está asegurada contra la conexión involuntaria.

Accionamiento breve:

Conexión: Inicialmente se aprieta el botón adicional 3 para bloquear el interruptor, y, posteriormente, la palanca principal del interruptor 4. Desconexión: El interruptor 4 se afloja.

Operación continua:

Conexión: Al estar accionada la máquina, se aprieta el botón 3 y se afloja la palanca del interruptor 4.

Desconexión: La palanca del interruptor 4 se aprieta una sola vez, aflojándose inmediatamente.

MONTAJE DEL KIT Y DE LAS HERRAMIENTAS DE TRABAJO

En el kit estándar de la máquina entra un disco elástico, con una tuerca incluida para enroscar directamente sobre el husillo y con un sistema adhesivo para fijar la herramienta de trabajo sobre el disco.

Son posibles también otros kits.

Al montar y desmontar herramientas (accesorios) para pulir y esmerilar, enroscando/desenroscando el husillo, fije el husillo 1 en la pulidora, apretando el botón 2 que se encuentra sobre la caja reductora.



ADVERTENCIA: ¡No se debe apretar el botón 2 cuando el husillo esté girando!

MONTAJE DEL ASIDERO ADICIONAL

El asidero adicional 6 ó 6b debe estar montado para cualquier tipo de operación con la máquina.

El asidero adicional 6 se fija al reductor de la máquina mediante dos pernos 8 y arandelas 7 debajo de los cabezales de los pernos. Para enroscar y desenroscar los pernos, utilice la llave de tuercas SW22. La orientación del asidero hacia la máquina debe efectuarse acorde a la comodidad del operador.

El asidero adicional 6b puede fijarse opcionalmente por la parte derecha, superior o izquierda de la caja reductora. Éste se enrosca directamente a la caja reductora de la máquina.

En caso de necesidad, con el asidero adicional 6b puede utilizarse el mecanismo de seguridad 12.

DISCO ELÁSTICO

El disco 9 se enrosca directamente al husillo. Sobre el disco se pueden fijar las herramientas de trabajo 10, provistas de un sistema adhesivo de fijación: papel de lija, esponja pulidora, disco de fieltro, funda de lana de cordero, etc.

Para desmontar (desenroscar) el disco, utilice una llave de tuercas, en caso de que sea necesario.

Si utiliza el disco elástico 9b con brida de apriete, es necesario colocar sobre el husillo la brida de apoyo 13, el disco 9b y el papel de lija 15. Enrosque la brida de apriete 14 y atíesela con la llave bicorne 18.

FIJACIÓN DE LA HERRAMIENTA DE TRABAJO A UN DISCO ELÁSTICO CON SISTEMA ADHESIVO (VELCRO)

La herramienta de trabajo que se fija al disco debe ser $\varnothing_{\text{min}}148$. Debe adherirse bien al disco y, al montarla, debe observarse su colocación coaxial respecto al disco. Las herramientas de trabajo montadas excéntricamente provocan batimiento y vibraciones.



ADVERTENCIA: Utilice solamente discos de trabajo con sistema "de captura" en buen estado. Después de cambiar el disco, ponga la máquina en funcionamiento con el nuevo disco al menos durante 30 segundos en marcha en vacío.



ADVERTENCIA: Los discos que vibran o giran incorrectamente deben cambiarse de inmediato.

CEPILLO DE ALAMBRE

La máquina puede operar con un cepillo de alambre caliciforme o de disco, con rosca de unión M14.

Enrosque el cepillo de alambre sobre el husillo 1 y atíese con una llave.

FUNDA DE LANA DE CORDERO

La funda de lana se coloca sobre el disco elástico 9b y se distribuye uniformemente por toda la superficie.

La funda se fija sobre el disco pulidor mediante un cordón.

Los extremos del cordón se introducen hacia adentro, entre la funda y el disco pulidor.

ARANDELA PULIDORA DE FIELTRO Y ESPONJA PULIDORA CON BRIDA

Enrosque la arandela pulidora de fieltro o la esponja con brida sobre el husillo 1.

ARANDELA DE LIENZO (RECTIFICADO)

La arandela de lienzo se fija con la ayuda de un soporte, que consiste de una clavija con abertura y rosca, brida de apoyo y de apriete. La arandela de lienzo se monta, enrosándose sobre el husillo de la máquina.

MANDO ELECTRÓNICO DE LA MÁQUINA



ADVERTENCIA: No opere con la máquina si la electrónica está en mal estado, ya que ello está vinculado con una operación a revoluciones elevadas. El mal estado de la electrónica puede reconocerse por la falta de arranque cadencioso o por la imposibilidad de regular las revoluciones.

La pulidora ha sido diseñada con un mando electrónico de dos semiciclos, que posee las funciones siguientes:

Accionamiento cadencioso y limitación de la corriente de arranque

Este accionamiento garantiza la puesta en marcha de la máquina sin impulso, evitando el surgimiento de fluctuaciones en el voltaje de la red de alimentación.

Regulación de la velocidad de rotación del husillo

La regulación cadenciosa de la velocidad de rotación del husillo se efectúa en conformidad con el tipo de trabajo realizado por el operador. La gama de regulación es según la Tabla 1:

	Velocidad, min^{-1}		
	PM 1026CE	PM 1324CE	PM 1631CE
A	800	400	600
B	1100	700	1000
C	1400	1000	1400
D	1700	1300	1800
E	2000	1600	2200
F	2300	1900	2600
G	2600	2400	3100



ADVERTENCIA: Seleccione previamente con el potenciómetro 5 la velocidad apropiada para la operación que se está efectuando, conforme a la tabla 1.

Para la operación que se está efectuando y la velocidad seleccionada, utilice una herramienta de trabajo apropiada. Para pulir, no utilice una velocidad superior a 1500 min⁻¹.

Estabilización de la velocidad de rotación

Las revoluciones seleccionadas previamente se estabilizan constantemente por la electrónica para limitar la disminución de la velocidad del husillo al cambiar la dimensión de la carga.

Protección térmica

Para proteger la herramienta eléctrica de un sobrecalentamiento inadmisibles (quema del motor), en el proceso de explotación continua, en régimen de sobrecarga, se ha previsto una protección térmica. Antes de alcanzar la temperatura crítica, la electrónica desconecta la máquina, pasando ésta del régimen de funcionamiento al régimen de seguridad.

Para poner en régimen de funcionamiento, es necesario desconectar y volver a conectar el interruptor.

Mantenimiento



ADVERTENCIA: Desconecte siempre la herramienta eléctrica y saque el enchufe de la toma de corriente antes de realizar cualquier revisión o mantenimiento.

CAMBIO DE CEPILLOS

La herramienta eléctrica está provista de cepillos de autodesconexión. Cuando los cepillos se desgasten, los dos deberán ser sustituidos simultáneamente por cepillos originales en un centro de servicio de SPARKY de mantenimiento de garantía y fuera de garantía.

REVISIÓN GENERAL

Revise regularmente todos los elementos de entibación y cerciórese de que hayan sido fuertemente atiesados. En caso de que alguno de los tornillos se haya aflojado, enrósquelo inmediatamente para evitar situaciones de riesgo.

Si el cable de alimentación está dañado, su sustitución deberá efectuarse por el fabricante o por un técnico de servicio suyo a fin de evitar los peligros relativos a esta sustitución.

LIMPIEZA

Para una operación segura, mantenga siempre limpios la máquina y los orificios de ventilación. Revise regularmente que en la rejilla de ventilación, cerca del motor eléctrico o en torno a los conmutadores no hayan entrado polvo o cuerpos externos. Utilice un cepillo suave para quitar el polvo acumulado. Para proteger sus ojos, lleve gafas de protección durante la limpieza. Si el cuerpo de la máquina necesita limpieza, límpielo con un paño suave y húmedo. Puede emplearse un detergente de limpieza suave.



ADVERTENCIA: No se deben usar alcohol, gasolina ni otros disolventes. No utilice nunca detergentes de limpieza corrosivos para limpiar las piezas de plástico.



ADVERTENCIA: El agua no debe entrar en contacto con la máquina.

¡IMPORTANTE! Para garantizar una operación segura con la herramienta eléctrica y su fiabilidad, todas las actividades relativas a su reparación, mantenimiento y regulación (incluida la revisión y el cambio de cepillos) deben efectuarse en los centros de servicio autorizados de SPARKY, empleando sólo piezas de recambio originales.

Garantía

El periodo de garantía de las herramientas SPARKY aparece indicado en la hoja de garantía.

Los daños debido a llevar ropa normal, a sobrecargas o manejo indebido se excluirán de la garantía.

Los daños debido al uso de materiales defectuosos, así como a defectos en la hechura serán subsanados libres de gastos por medio de sustitución o reparación.

Se reconocerán las quejas por herramientas SPARKY defectuosas si la máquina se devuelve al distribuidor o si se entrega al servicio autorizado de garantía sin desmontar, en su estado inicial.

Notas

Lea detenidamente todo el Manual de instrucciones antes de utilizar este producto.

El fabricante se reserva el derecho a cambiar las especificaciones sin previo aviso.

Las especificaciones pueden ser distintas de país a país.

Tabla 2

Material	Aplicación	Herramienta / consumible	Revoluciones recomendables, min ⁻¹
Superficies de color y barnizadas Plástico Madera Piedra	Repartición y frotación de pastas para pulir Pulir hasta brillo	Disco de fieltro, esponja pulidora, funda de lana de cordero, disco de lana, disco de lienzo	400-1100
Plástico Metales no ferrosos Piedra	Pulir	Disco pulidor de fieltro (arandela de fieltro), disco de lienzo	900-1300
Plástico Madera Metales no ferrosos	Alisar superficies	Hoja esmeriladora	1200-2000
Metal Madera	Eliminar pintura	Hoja esmeriladora	2000-2400
Metal Madera	Eliminar herrumbre Cepillar	Cepillos de alambre	2000-2400
Perfiles de madera Cubiertas de ventanas	Reesmerilado y cepillado de pintura seca fisurada	Cepillos de alambre	2300-2900
Piedra	Esmerilado	Hoja abrasiva	2500-3100

Conteúdo

Introdução	58
Dados técnicos	60
Instruções gerais para a segurança do trabalho com instrumentos eléctricos	61
Instruções adicionais para a segurança do trabalho com polidoras	62
Conhecimento do instrumento eléctrico.....	A/65
Instruções para o trabalho	65
Manutenção.....	67
Garantia	68

DESEMBALAGEM

De acordo com as tecnologias de produção geralmente utilizadas, é pouco provável o novo instrumento eléctrico que você adquiriu ser ineficiente ou lhe faltar alguma peça. Mesmo assim, se você verificar que qualquer coisa não está bem, não trabalhe com o instrumento, enquanto a peça ineficiente não for substituída, ou a imperfeição não ficar eliminada. O não seguimento desta recomendação é capaz de provocar um acidente de trabalho grave.

MONTAGEM

A polidora suministra-se embalada e ensablada, excepto o instrumento operacional, os consumativos e as manípulas complementares.

Introdução

O novo instrumento eléctrico SPARKY que adquiriu vai ultrapassar as suas expectativas. Ele foi fabricado de acordo com os mais elevados padrões de qualidade da SPARKY, os quais vão de encontro com as exigências mais rigorosas do consumidor. Fácil de manutenção e seguro durante a utilização, sendo correctamente manipulado, este instrumento eléctrico servir-lhe-á fielmente durante muitos anos.

ATENÇÃO!



Leia atentamente toda a instrução para o uso, antes de começar a trabalhar com o seu novo instrumento eléctrico SPARKY. Preste especial atenção aos textos que começam com a palavra “Atenção”. O seu instrumento eléctrico SPARKY possui qualidades que hão de facilitar o seu trabalho. Ao ser fabricado este instrumento eléctrico, maior atenção foi prestada à segurança, às qualidades de exploração e à fiabilidade, as quais fazem dele um instrumento fácil de manutenção e de exploração.



Não deitar o instrumento eléctrico para o lixo comum!

Os resíduos de aparelhos eléctricos não se devem misturar com o lixo comum. Mande-os para reciclagem nos lugares destinados a isso. Ponha-se em contacto com as autoridades locais ou com um representante para consultar a forma de reciclagem.

PROTECÇÃO DO MEIO AMBIENTE



Visando a protecção do meio ambiente, o instrumento eléctrico, os seus acessórios e embalagem têm de ser submetidos a uma adequada reelaboração para serem novamente utilizadas as matérias primas contidas neles.

Para facilitar a reciclagem, as peças feitas de materiais sintéticos levam a respectiva denotação.

DESCRIÇÃO DOS SÍMBOLOS

Sobre a chapa com os dados do instrumento eléctrico estão denotados os símbolos especiais que fornecem importante informação sobre o artefacto ou recomendações para o seu uso.



Duplo isolamento para protecção.



Conexão roscada do veio de rectificação M14.



Conformidade com as directrizes europeias aplicáveis.



Correspondência com os critérios russos de segurança.



Conformidade com as exigências dos documentos normativos ucranianos.




Leia a instrução para o uso.



Utilize sempre óculos protectores

YYYY-Www Período de fabrico, onde os símbolos variáveis são:
YYYY – ano de fabrico,
ww –a respectiva semana corrente do calendário
PM Pulidora.

Dados técnicos

Modelo	PM 1026CE	PM 1324CE	PM 1631CE
Consumo de energia	1010 W	1300 W	1600 W
Rotações ao ralenti	800-2600 min ⁻¹	400-2400 min ⁻¹	600-3100 min ⁻¹
Instrumento operacional	max.200 mm	max.220 mm	max.180 mm
Conexão roscada do fuso	M14	M14	M14
Comprimento da rosca do fuso	20 mm	20 mm	20 mm
Peso (EPTA procedimento 01/2003)	3,4 kg	3,7 kg	3,7 kg
Classe de protecção (EN 60745-1) 	II	II	II

INFORMAÇÃO SOBRE RUÍDO E VIBRAÇÕES

Os valores foram medidos segundo EN 60745.

Emanação de ruído

A- nível avaliado de pressão sonora L _{pA}	91 dB(A)	91 dB(A)	92 dB(A)
Indefinição K _{pA}	3,0 dB(A)	3,0 dB(A)	3,0 dB(A)
A- nível avaliado de potência sonora L _{wA}	102 dB(A)	102 dB(A)	103 dB(A)
Indefinição K _{wA}	3,0 dB(A)	3,0 dB(A)	3,0 dB(A)

Utilize meios de protecção do ruído!

Emanação de vibrações *

Valor global das vibrações (soma vectorial pelos três eixos), determinado segundo EN 60745:

Lixação de superfície metálica com lixa			
Valor das vibrações emanadas a _{h,DS}	5,1 m/s ²	4,9 m/s ²	4,9 m/s ²
Indefinição K _{DS}	1,5 m/s ²	1,5 m/s ²	1,5 m/s ²
Polimento de superfície pintada com argola de feltro			
Valor das vibrações emanadas a _p	5,4 m/s ²	5,4 m/s ²	5,4 m/s ²
Indefinição K	2,0 m/s ²	2,0 m/s ²	1,5 m/s ²

* As vibrações foram determinadas consoante o p. 6.2.7 de EN 60745-1.

O nível das vibrações, indicado neste manual, foi determinado com base no teste indicado por EN 60745 e pode ser utilizado para a comparação de instrumentos eléctricos. O nível das vibrações pode ser utilizado para a avaliação prévia do grau de impacto.

O nível das vibrações declarado refere-se à utilização/função principal do instrumento. Caso o instrumento eléctrico seja utilizado para outros fins, ou forem utilizados outros acessórios, ou o instrumento não for bem tratado, o nível das vibrações diferenciar-se-á do declarado. Em tais casos o nível do impacto pode crescer consideravelmente dentro do período laboral total.

Ao avaliar o nível de impacto das vibrações, é preciso considerar também o tempo em que o instrumento está desligado, ou está ligado, mas sem funcionar. Tal pode diminuir consideravelmente o nível do impacto dentro do período laboral total.

Mantenha o instrumento eléctrico e os acessórios em bom estado. Cuide as mãos quentes durante o trabalho – isto vai diminuir o efeito nocivo do trabalho com instrumentos de vibração elevada.

O pó resultante do processamento dos materiais tais como pinturas com conteúdo de chumbo, certos tipos de madeiras, minerais e metais, pode ser nocivo para a saúde. O contacto directo ou a aspiração do pó pode causar reacções alérgicas e/ou doenças das vias respiratórias do trabalhador ou das pessoas que se encontram perto dele.

Alguns tipos de pó, por exemplo o de carvalho ou de faia consideram-se carcinogénicos, sobretudo em combinação com ingredientes utilizados no processamento da madeira, tais como cromado ou conservantes. O material que contém amianto tem de ser processado só por especialistas.

- Para conseguir um alto grau de despoejamento ao trabalhar com este instrumento eléctrico, utilize aspirador de pó destinada a captar pó de madeira ou pó de partículas minerais.
- Garanta a boa ventilação do posto de trabalho.
- Recomenda-se o uso de máscara protectora contra o pó com filtro da classe P2.

Cumpra as regras vigentes no Seu país referentes ao processamento dos diferentes materiais. Todos os modelos estão providos de dispositivo electrónico que garante o desdobramento paulatino até atingir as rotações nominais e limitar a corrente de arranço até 16 A. O símbolo CE na designação do tipo de ferramenta indica a presença dum dispositivo electrónico inserido que garante as rotações constantes durante o carregamento em todo o diapasão regulável. Todos os modelos têm inserido dispositivo electrónico que garante a protecção térmica da ferramenta contra sobreaquecimento.

Instruções gerais para a segurança de trabalho com Instrumentos eléctricos



ATENÇÃO! Devem ser lidas todas as indicações de advertência e todas as instruções. O desrespeito das advertências e instruções apresentadas abaixo pode causar choque eléctrico, incêndio e/ou graves lesões.

Guarde bem todas as advertências e instruções para futura referência.

O termo “Ferramenta eléctrica” utilizado a seguir nas indicações de advertência, refere-se a ferramentas eléctricas operadas com corrente de rede (com cabo de rede) e a ferramentas eléctricas operadas com bateria (sem cabo de rede).

1) Segurança da área de trabalho

- Mantenha a sua área de trabalho sempre limpa e bem iluminada. Desordem ou áreas de trabalho insuficientemente iluminadas podem levar a acidentes.
- Não trabalhar com a ferramenta eléctrica em áreas com risco de explosão, nas quais se encontrem líquidos, gases ou pós inflamáveis. Ferramentas eléctricas produzem faíscas, que podem inflamar pós ou vapores.
- Manter crianças e outras pessoas afastadas da ferramenta eléctrica durante a utilização. No caso de distração é possível que perca o controlo sobre o aparelho.

2) Segurança eléctrica

- A ficha de conexão da ferramenta eléctrica deve caber na tomada. A ficha não deve ser modificada de maneira alguma. Não utilizar uma ficha de adaptação junto com ferramentas eléctricas protegi-

das por ligação a terra. Fichas não modificadas e tomadas apropriadas reduzem o risco de um choque eléctrico.

- Evitar que o corpo possa entrar em contacto com superfícies ligadas a terra, como tubos, aquecimentos, fogões e frigoríficos. Há um risco elevado devido a choque eléctrico, se o corpo estiver ligado a terra.
 - Manter o aparelho afastado de chuva ou humidade. A infiltração de água numa ferramenta eléctrica aumenta o risco de choque eléctrico.
 - Não deverá utilizar o cabo para outras finalidades. Jamais utilizar o cabo para transportar a ferramenta eléctrica, para pendurá-la, nem para puxar a ficha da tomada. Manter o cabo afastado de calor, óleo, cantos afiados ou partes do aparelho em movimento. Cabos danificados ou emaranhados aumentam o risco de um choque eléctrico.
 - Se trabalhar com uma ferramenta eléctrica ao ar livre, só deverá utilizar cabos de extensão apropriados para áreas exteriores. A utilização de um cabo de extensão apropriado para áreas exteriores reduz o risco de um choque eléctrico.
 - Se não for possível evitar o funcionamento da ferramenta eléctrica em áreas húmidas, deverá ser utilizado uma disjuntor de corrente de avaria. A utilização de um disjuntor de corrente de avaria reduz o risco de um choque eléctrico.
- ### 3) Segurança de pessoas
- Esteja atento, observe o que está a fazer e tenha prudência ao trabalhar com a ferramenta eléctrica. Não utilizar uma ferramenta eléctrica quando estiver fadigado ou sob a influência de drogas, álcool ou medicamentos. Um momento de descuido ao utilizar a ferramenta eléctrica, pode levar a lesões graves.
 - Utilizar equipamento de protecção pessoal e sempre óculos de protecção. A utilização de equipamento de protecção

peçoal, como máscara de protecção contra pó, sapatos de segurança antiderrapantes, capacete de segurança ou protecção auricular, de acordo com o tipo e aplicação da ferramenta eléctrica, reduz o risco de lesões.

- c) **Evitar uma colocação em funcionamento involuntária.** Assegure-se de que a ferramenta eléctrica esteja desligada, antes de conectá-la a alimentação de rede e/ou ao acumulador, antes de levantá-la ou de transportá-la. Se tiver o dedo no interruptor ao transportar a ferramenta eléctrica ou se o aparelho for conectado a alimentação de rede enquanto estiver ligado, poderão ocorrer acidentes.
- d) **Remover ferramentas de ajuste ou chaves de boca antes de ligar a ferramenta eléctrica.** Uma ferramenta ou chave que se encontre numa parte do aparelho em movimento pode levar a lesões.
- e) **Evite uma posição anormal.** Mantenha uma posição firme e mantenha sempre o equilíbrio. Desta forma é mais fácil controlar a ferramenta eléctrica em situações inesperadas.
- f) **Usar roupa apropriada.** Não usar roupa larga nem jóias. Mantenha os cabelos, roupas e luvas afastadas de partes em movimento. Roupas frouxas, cabelos longos ou jóias podem ser agarrados por peças em movimento.
- g) **Se for possível montar dispositivos de aspiração ou de recolha, assegure-se de que estejam conectados e utilizados correctamente.** A utilização de uma aspiração de pó pode reduzir o perigo devido ao pó.

4) Utilização e manuseio cuidadoso de ferramentas eléctricas

- a) **Não sobrecarregue o aparelho.** Utilize a ferramenta eléctrica apropriada para o seu trabalho. É melhor e mais seguro trabalhar com a ferramenta eléctrica apropriada na área de potência indicada.
- b) **Não utilizar uma ferramenta eléctrica com um interruptor defeituoso.** Uma ferramenta eléctrica que não pode mais ser ligada nem desligada, é perigosa e deve ser reparada.
- c) **Puxar a ficha da tomada e/ou remover o acumulador antes de executar ajustes no aparelho, de substituir acessórios ou de guardar o aparelho.** Esta medida de segurança evita o arranque involuntário da ferramenta eléctrica.

- d) **Guardar ferramentas eléctricas não utilizadas fora do alcance de crianças.** Não permita que pessoas que não estejam familiarizadas com o aparelho ou que não tenham lido estas instruções, utilizem o aparelho. Ferramentas eléctricas são perigosas se forem utilizadas por pessoas inexperientes.
- e) **Tratar a ferramenta eléctrica com cuidado.** Controlar se as partes móveis do aparelho funcionam perfeitamente e não emperram, e se há peças partidas ou danificadas que possam prejudicar o funcionamento da ferramenta eléctrica. Permitir que peças danificadas sejam reparadas antes da utilização. Muitos acidentes têm como causa, a manutenção insuficiente de ferramentas eléctricas.
- f) **Manter as ferramentas de corte afiadas e limpas.** Ferramentas de corte cuidadosamente tratadas e com cantos de corte afiados emperram com menos frequência e podem ser conduzidas com maior facilidade.
- g) **Utilizar a ferramenta eléctrica, acessórios, ferramentas de aplicação, etc. conforme estas instruções.** Considerar as condições de trabalho e a tarefa a ser executada. A utilização de ferramentas eléctricas para outras tarefas a não ser as aplicações previstas, pode levar a situações perigosas.

5) Serviço

- a) **Só permita que o seu aparelho seja reparado por pessoal especializado e qualificado e só com peças de reposição originais.** Desta forma é assegurado o funcionamento seguro do aparelho.

Instruções adicionais para a segurança do trabalho com polidoras

Instruções gerais para a segurança de polimento com lixa e fibro-discos, limpeza com escova de arame, esponjas polidoras, estojos de lã de cordeiro e discos de feltro com flange:

- a) Esta ferramenta eléctrica pode ser utilizada como máquina polidora e máquina de limpeza com escova de arame. Leia

todas as instruções para a segurança do trabalho, indicações e imagens que recebeu junto com o instrumento. *O incumprimento das instruções para a segurança pode provocar lesões pela corrente eléctrica, incêndio e/ou ferimento sério*

- b) **Esta ferramenta não é destinada para polimento e corte com disco abrasivo.** *Operações para as quais a ferramenta não é destinada criam riscos de perigo e provocar traumatismos.*
- c) **Não use acessórios que não são permitidos nem recomendados pelo fabricante especialmente para esta ferramenta.** *O facto de que Você pode ajustar acessórios à Sua ferramenta eléctrica não garante o uso seguro da ferramenta.*
 - **Não monte em caso algum discos circulares ou discos destinados a rebarbadoras angulares.**
 - **Use apenas acessórios apropriados exclusivamente para o material processado e para a velocidade de rotação.**
- d) **As rotações nominais do acessório têm de ser pelo menos iguais aos indicados sobre o instrumento revoluções máximas.** *Os acessórios que giram com velocidade maior do que a sua velocidade nominal podem ficar partidos e os seus pedaços a voarem.*
- e) **O diâmetro externo e o grosso do instrumento de trabalho têm de ficar nos marcos das dimensões indicadas para o Seu instrumento eléctrico.** *Acessórios de dimensões inadequadas não podem ser assegurados e geridos bem.*
- f) **Discos abrasivos, flanges de compressão, discos elásticos ou outros acessórios têm de encaixar exactamente no fuso do instrumento.** *Os acessórios que não encaixam exactamente no fuso do instrumento giram irregularmente, vibram exageradamente e podem causar a perda de controlo.*
- g) **Não use acessórios danificados.** *Antes de cada uso revise os acessórios – os discos abrasivos para superfícies dentadas e rachadas, os discos elásticos para rachaduras, rupturas ou desgaste sensível, as escovas de arame para fios afrouxados ou partidos. Se deixar caís o instrumento ou o acessório ao chão, revise-o por se estiver danificado ou monte um acessório novo. Depois de o acessório ter sido revisado e montado, ponha-se junto com os espectadores*
 - num lugar fora da superfície de rotação do acessório e deixe o instrumento trabalhar ao ralenti às revoluções máximas durante 1 minuto. *Normalmente esse tempo é suficiente para os acessórios danificados ficarem partidos.*
 - h) **Use meios individuais de protecção.** *Segundo o caso concreto, use máscara protectora para a cara ou óculos protectores. Caso seja necessário, use máscara anti-pó, meios de protecção do ouvido, luvas protectoras ou avental especial. Os meios de protecção dos olhos têm de proteger das partículas voantes surgidas nas diferentes operações. Os meios de protecção contra o pó e os gases têm de filtrar as partículas que surgem durante o trabalho. A exposição prolongada a ruído forte pode provocar problemas auditivos.*
 - i) **Mantenha os espectadores a uma distância segura da zona de trabalho.** *Cada pessoa que se encontra na zona de trabalho tem de usar meios individuais de protecção. É possível que aparas voantes da peça processada ou do acessório partido provoquem ferimento mesmo fora da zona imediata de trabalho.*
 - j) **Pegue no instrumento só pelas superfícies isoladas quando está a realizar qualquer operação na qual o acessório cortante pode ter contacto com o cordão próprio.** *O contacto do acessório cortante com cabo sob tensão colocará também as partes metálicas descobertas sob tensão e o operário pode sofrer um choque eléctrico.*
 - **Fixe a peça processada com grampo ou de outro modo adequado.**
 - **Não exerça pressão lateral para parar a rotação do disco depois de ter sido desconnectada a ferramenta.**
 - **A ferramenta tem de ser guiada contra a peça processada só em estado de connectada.**
 - k) **Mantenha o cabo alimentador fora do alcance do acessório girando.** *Se perder o controlo sobre a ferramenta, o cabo alimentador pode ficar cortado ou levar a Sua palma ou a Sua mão para a área de rotação do instrumento.*
 - l) **Nunca deixe a ferramenta antes de o acessório ter parado definitivamente a rotação.** *O acessório girando pode apañhar o material processado y Você perder o controlo sobre a ferramenta.*

- m) **Não deixe a ferramenta trabalhar enquanto o estiver transportando.** *Contacto casual do acessório girando com a Sua roupa pode apanhá-la e assim causar dano ao Seu corpo.*
- n) **Limpe regularmente as aberturas de ventilação da ferramenta.** *O ventilador do motor aspira pó no corpo da ferramenta e a acumulação exagerada de pó de metal pode provocar risco de ferimento da corrente eléctrica.*
- o) **Não use o instrumento perto de materiais inflamáveis.** *As faíscas podem acender esses materiais.*
- p) **Não use acessórios o trabalho com os quais exige substâncias líquidas de resfriamento.** *O uso de água ou outras substâncias de resfriamento pode causar avaria ou choque eléctrico.*
- **A ferramenta tem de ser usada só para polimento a seco.**
 - **A ferramenta tem de se usar só para o que for destinada.** *Qualquer outro uso diferente do que está descrito nesta instrução considerar-se-á uso incorrecto. A responsabilidade de qualquer avaria ou ferimento que decorrem do uso incorrecto será assumida pelo consumidor e não pelo fabricante.*
 - **O fabricante não assume a responsabilidade pelas alterações feitas no instrumento pelo consumidor, nem pelas avarias que decorrem dessas alterações.**
 - **Ao trabalhar em ambiente poeirento, as aberturas de ventilação da ferramenta têm de se manter limpas.** *Caso seja necessário limpá-las do pó acumulado, primeiro desligue o instrumento da rede e use objectos não metálicos para limpar o pó procurando não danificar as peças internas do instrumento. O instrumento vai ficar sobreaquecido ao diminuir o resfriamento devido à acumulação de pó nas aberturas de ventilação.*
 - **O instrumento não tem de ser usado ao ar livre em tempo de chuva, em ambiente húmido (depois de chuva) ou perto de líquidos facilmente inflamáveis.** *O local de trabalho tem de ficar bem iluminado.*

Outras instruções de segurança de todas as operações

Ricochete (golpe contrário) e as instruções de segurança relacionadas com ele

Ricochete é a reacção repentina em resultado

de congestionamento ou bloqueamento dum acessório, digamos, disco abrasivo, disco elástico, escova de arame, etc. O congestionamento ou bloqueamento produz a paragem repentina da rotação do acessório, o qual, por sua vez, empurra o instrumento não controlado para o sentido contrário ao do sentido da rotação do instrumento no ponto do congestionamento.

O ricochete é o resultado do uso e/ou exploração ou condições de trabalho incorrectos e pode ser evitado observando as medidas de segurança a seguir:

- a) **Pegue no instrumento bem, ocupe posição adequada e mantenha as mãos de modo que possa dominar a força do ricochete.** *Use sempre a manipulação adicional, se o instrumento for provido de tal para ter o maior controlo possível sobre a força do ricochete ou sobre o momento de reacção na altura do accionamento. Mediante medidas de protecção adequadas, o operário pode dominar o momento de reacção e o ricochete.*
- b) **Nunca ponha as mãos perto do acessório girando.** *O acessório pode saltar sobre a Sua mão.*
- c) **Não fique na área da eventual deslocação do instrumento em caso de ricochete.** *O ricochete movimenta o instrumento em sentido contrário ao do movimento do disco abrasivo no lugar do bloqueamento.*
- d) **Quando está a processar ângulos, bordas afiadas, etc., trabalhe com a atenção elevada.** *Não permita que o acessório salte ou bloqueie a peça. No trabalho com ângulos, bordas afiadas, etc., existe o perigo de o acessório que gira fique congestionado e provoque perda de controlo ou ricochete.*

Instruções específicas de segurança do trabalho de polimento

- a) **Não admita que partes afrouxadas do caso de lã ou do cordão fixador girem livremente.** *Meta no caso ou aperte os extremos livres do cordão fixador. Os cordões afrouxados que giram livremente podem-se envolver nos Seus dedos ou prender-se à peça.*

Instruções específicas de segurança do trabalho de lixação com lixa

- a) **Não use folhas de lixa grandes de mais, observe as instruções do produtor quanto às dimensões da lixa.** *Quando a*

folha de lixa sai para fora do disco elástico, pode ficar partido, provocar bloqueamento, factura da lixa ou ricochete **Instruções específicas de segurança do trabalho com escovas de arame**

Instruções específicas de segurança do trabalho com escovas de arame

- a) **Tenha em conta que num processo de trabalho normal da escova de arame caem fios de arame. Não sobrecarregue os fios ao apertar exageradamente a escova. Os fios de arame voantes podem penetrar na roupa fina e/ou na pele.**
- b) **Se no trabalho com escova de arame se recomenda o uso de protector, não admita que o protector e a escova de arame em forma de disco ou de taça entrem em contacto. As escovas de arame em forma de disco ou de taça podem aumentar o seu diâmetro sob a influência da pressão durante o trabalho ou da forças centrífugas.**

Conhecimento do instrumento eléctrico

Antes de começar o trabalho com a ferramenta, informe-se sobre todas as suas especificidades operacionais e condições de segurança.

Use a ferramenta e os seus acessórios só para o que forem destinados. Qualquer outra aplicação fica terminantemente proibida.

1. Fuso
2. Botão de travamento do interruptor
3. Botão de travamento do fuso
4. Interruptor
5. Potenciômetro de regulação das rotações
6. Manipula complementar fechada
7. Argola
8. Parafuso
9. Disco elástico com sistema de adesão
17. Chave inglesa SW 22

ACESSÓRIOS QUE PODEM SER UTILIZADOS COM ESTA FERRAMENTA ELÉCTRICA

- 6b. Manipula complementar lateral
- 9b. Disco elástico com flange de apoio e de aperto
10. Dispositivo operacional com sistema aderente de fixação ao disco elástico

(disco intermediário macio, folha abrasiva, esponja, disco de feltro, estojo de lã de cordeiro)

11. Dispositivo operacional com flange de porca inserida (disco de tela, esponja, disco de feltro, escova)
12. Protector da manípula complementar
13. Flange de apoio
14. Flange de aperto
15. Folha abrasiva (lixa)
16. Estojo de lã de cordeiro
18. Chave bicorna

Instruções para o trabalho

Esta ferramenta eléctrica alimenta-se unicamente por tensão alternada monofásica. Tem duplo isolamento conforme EN 60745 и IEC 60745 e podem juntar-se a plugs sem terminais protectores. As radioperturbações correspondem a Directriz pela compatibilidade electromagnética 2004/108/EC.

Esta ferramenta eléctrica destina-se a lixagem tosca e fina, limpeza e escovação, polimento e fricção de todo tipo de superfícies com velocidade de rotação de escolha óptima.

ANTES DE COMEÇAR O TRABALHO

- Verifique se a tensão da rede eléctrica corresponde à que está indicada sobre a chapa com os dados técnicos da ferramenta eléctrica.;
- Verifique em que posição se encontra o interruptor. O instrumento tem de se ligar e desligar da rede só com o interruptor nulificado. Se meter a ficha na rede enquanto o interruptor estiver em posição de accionado, a ferramenta accionar-se-á imediatamente, o qual é premissa para um acidente..
- Assegure-se da perfeição do cabo de alimentação e do pino de tomada. Se o cabo de alimentação está danificado, a sua substituição tem de se fazer pelo produtor ou por especialista de serviço autorizado por ele para evitar os perigos decorrentes dessa operação.



ADVERTÊNCIA: Desligue o pino da tomada antes de realizar quaisquer consertos, reparações ou manutenção, bem como nos casos de queda da tensão alimentadora.

- Se a zona de trabalho estiver afastada da fonte de alimentação, use extensão quanto mais

curta possível de secção adequada.

- Verifique se a manípula complementar está correctamente colocada e bem apertada.

ARRANCO - PARAGEM

A polidora está protegida contra arranco espontâneo

Funcionamento de pouca duração

Arranco - Primeiro aperta-se o botão complementar de bloqueamento 3 do interruptor e depois, a alavanca principal do interruptor 4.

Paragem - O interruptor 4 afrouxa-se

Trabalho prolongado

Arranco: Sendo posta a ferramenta em marcha, aperta-se o botão 3 e afrouxa-se a alavanca do interruptor 4

Paragem: A alavanca do interruptor 4 aperta-se uma vez só e afrouxa-se imediatamente.

MONTAGEM DA CONFIGURAÇÃO E DOS INSTRUMENTOS OPERACIONAIS

Por norma, a ferramenta está provida de disco elástico com porca inserida de enrolamento directo no fuso e sistema de adesão do instrumento operacional sobre o disco.

São possíveis também outras configurações. Durante a montagem e desmontagem de instrumentos (acessórios) de polimento ou rebarbagem mediante enrolamento/desenrolamento do fuso, afixe o fuso 1 da polidora apertando o botão 2 que fica sobre a caixa redutora.



ADVERTÊNCIA: Não é permitido apertar o botão 2 com o fuso girando!

MONTAGEM DA MANÍPULA COMPLEMENTAR

A manípula complementar 6 ou 6b tem de estar montada sempre, seja qual for o tipo de trabalho com a ferramenta.

A manípula complementar 6 afixa-se sobre o redutor da ferramenta mediante os dois parafusos 8 e argolas 7 debaixo das cabeças dos parafusos.

O aparafusamento e desaparafusamento dos parafusos faz-se com chave inglesa SW22. A orientação da manípula em relação à ferramenta faz-se visando a comodidade do operador.

A manípula complementar 6 pode-se afixar optativamente do lado direito ou do lado esquerdo da caixa redutora. Nesse caso enrola-se directamente na caixa redutora da ferramenta.

Caso seja necessário, com a manípula complementar 6b pode-se usar o protector 12.

DISCO ELÁSTICO

O disco 9 enrola-se directamente no fuso. Sobre o disco podem-se aderir instrumentos operacionais 10 providos de sistema de adesão – lixa, esponja de polimento, disco de feltro, estojo de lã de cordeiro, etc.

Para retirar (desenrolar) o disco, caso seja necessário, usa-se chave inglesa.

Se vai usar disco elástico 9b com flange de aperto, tem de colocar a flange de apoio 13, o disco 9b e a lixa 15 sobre o fuso. Enrole o flange de aperto 14 e aperte com chave bicorna 18.

AFIXAÇÃO DO INSTRUMENTO OPERACIONAL AO DISCO ELÁSTICO COM SISTEMA DE ADESÃO (VELCRO)

O instrumento operacional aderido ao disco tem de ser Ømin148. Ele tem de ficar bem encaixado no disco e durante a sua montagem tem de se observar a sua colocação concêntrica em relação ao disco. Os instrumentos operacionais montados excentricamente provocam batidas e vibrações.



ADVERTÊNCIA: Use somente discos operacionais com sistema de encaixe perfeita. Depois de substituir o disco, deixe a ferramenta trabalhar com o novo disco pelo menos 30 segundos ao ralenti.



ADVERTÊNCIA: Os discos que vibram ou têm uma rotação incorrecta, têm de ser imediatamente substituídos.

ESCOVA DE ARAME

A ferramenta pode trabalhar com escova de arame em forma de taça ou de disco com rosca de adesão M14.

Enrole a escova de arame no fuso 1 e aperte com chave.

ESTOJO DE LÃ DE CORDEIRO

O estojo de lã coloca-se sobre o disco elástico 9b e distribui-se regularmente por toda a superfície.

O estojo afixa-se ao disco de polimento mediante cordão.

Os extremos do cordão metem-se entre o estojo e o disco de polimento.

ARGOLA POLIDORA DE FELTRO E ESPONJA POLIDORA COM FLANGE

Enrole a argola polidora de feltro ou a esponja com flange no fuso 1.

ARGOLA DE TELA

A argola de tela fica aderida mediante um suporte composto por pino com abertura e rosca, flange de apoio e flange apertador.

Monta-se sendo enrolada no fuso da ferramenta.

CONTROLO ELECTRÓNICO DA FERRAMENTA



ADVERTÊNCIA: Não trabalhe com a ferramenta se a sua parte electrónica estiver danificada, pois isto tem a ver com trabalho a alta velocidade. A electrónica defeituosa pode-se reconhecer na ausência de arranço principal ou impossibilidade de regulação das rotações.

A polidora foi concebida com direcção electrónica bissemiperiódica cujas funções são as seguintes:

Arranço paulatino e limitação da corrente de partida

Tal arranço garante o accionamento da ferramenta sem impulso e evita as oscilações da tensão na rede alimentadora.

Regulação da velocidade de rotação do fuso

A regulação paulatina de velocidade de rotação do fuso realiza-se de acordo com o tipo de trabalho efectuado. O leque da regulação evidencia-se no Quadro 1:

Quadro 1

Posição	Velocidade, min ⁻¹		
	PM 1026CE	PM 1324CE	PM 1631CE
A	800	400	600
B	1100	700	1000
C	1400	1000	1400
D	1700	1300	1800
E	2000	1600	2200
F	2300	1900	2600
G	2600	2400	3100



ADVERTÊNCIA: Escolha previamente a velocidade adequada para a respectiva operação com o potenciómetro 6 de acordo com o Quadro 1

Para a operação efectuada e a velocidade escolhida use dispositivo operacional adequado. Para polimento não use velocidade maior de 1500 min⁻¹.

Estabilização da velocidade de rotação

As rotações previamente escolhidas estabilizam-se constantemente pela electrónica para ser limitada a redução da velocidade do fuso quando muda a dimensão da carga.

Protecção térmica

Para proteger a ferramenta de sobreaquecimento inadmissível (queima do motor), no processo de trabalho prolongado em regime de sobrecarga, está prevista protecção térmica. Antes de atingir a temperatura crítica, a electrónica desconecta a ferramenta e ela passa de regime operacional para regime de protecção.

Para entrar em regime operacional, tem de desconectar e conectar de novo o interruptor.

Manutenção



ADVERTÊNCIA: Desligue sempre o instrumento da corrente quando vai efectuar qualquer revisão ou manutenção.

SUBSTITUIÇÃO DAS ESCOVAS

A ferramenta eléctrica está equipada com escovas de auto-stop. Quando as escovas ficarem gastas, ambas têm de ser substituídas simultaneamente por escovas originais da oficina de serviço da SPARKY para assistência no prazo de garantia e fora dele.

REVISÃO GERAL

Revise regularmente todos os elementos de suporte e verifique se estão bem apertados. Caso algum parafuso tenha ficado afrouxado, aparafuse-o imediatamente para evitar situações de risco.

Se o cabo alimentador estiver danificado, a substituição tem de se fazer pelo produtor ou seu especialista autorizado de oficina de serviço, para evitar os perigos da substituição.

LIMPEZA

Para um trabalho seguro mantenha sempre limpas a ferramenta e as aberturas de ventilação. Verifique regularmente se na grade da ventilação perto do motor eléctrico e dos comutadores não tenham penetrado pó ou corpos alheios. Use uma escova fina para remover o pó acumulado. Para proteger os olhos durante a limpeza use óculos protectores. Caso o corpo do instrumento precise de limpeza, use um pano macio húmido. Pode usar também algum detergente fraco.



ADVERTÊNCIA: Não se admite o uso de álcool, gasolina ou outros solventes. Nunca use substâncias corrosivas para limpar as partes de plástico.



ADVERTÊNCIA: Não se admite a entrada de água em contacto com o instrumento.

IMPORTANTE! Para garantir o trabalho seguro com o instrumento e a confiança nele, todas as actividades relacionadas com reparação, manutenção e regulação (incluindo a revisão e substituição das escovas) têm de se fazer nas oficinas de serviço autorizadas da SPARKY utilizando só peças de substituição originais.

Garantia

O prazo de garantia dos instrumentos eléctricos SPARKY está indicado no cartão de garantia. Problemas surgidos em resultado do desgaste natural, sobrecarga ou utilização incorrecta, ficam excluídos dos deveres da garantia. Os problemas surgidos devido ao uso de materiais de baixa qualidade e/ou erros de fabricação, eliminam-se sem pagamento adicional mediante substituição ou reparação.

Reclamação por um instrumento eléctrico SPARKY defeituoso reconhece-se quando o instrumento for devolvido ao distribuidor ou for levado a uma oficina autorizada de assistência em prazo de garantia no seu estado inicial (montado).

Observações

Leia atentamente toda a instrução para o uso, antes de começar a trabalhar com este aparelho. O fabricante reserva-se o direito de introduzir melhoras e modificações nos seus aparelhos, bem como modificar as especificações sem aviso.

As especificações podem variar de país para país.

Quadro 2

Material	Aplicação	Instrumento	Rotações recomendadas, min ⁻¹
Superfícies coloridas e vernizadas Plástico Madeira Pedra	Trabalho com pastas de polir Polimento até brilho	Disco de feltro, esponja de polimento, estojo de lã de cordeiro, disco de lã, disco de tela	400-1100
Plástico Metais não ferrosos Pedra	Polimento	Disco polidor de feltro (argola de feltro), disco de tela	900-1300
Plástico Madeira Metais não ferrosos	Alisamento de superfícies	Folha de lixa	1200-2000
Metal Madeira	Remoção de tinta	Folha de lixa	2000-2400
Metal Madeira	Remoção de ferrugem Escovação	Escovas de arame	2000-2400
Perfis de madeira Persianas	Repolimento e escovação de pinturas secas rachadas	Escovas de arame	2300-2900
Pedra	Lixagem	Folha abrasiva	2500-3100

Spis treści

Wstęp	70
Dane techniczne	72
Ogólne instrukcje bezpieczeństwa przy pracy z elektronarzędziami	73
Dodatkowe wytyczne dotyczące bezpieczeństwa pracy polerkami	74
Zapoznanie się z elektronarzędziem	A/77
Wskazówki pracy	77
Konserwacja	79
Gwarancja	80

ROZPAKOWANIE

Państwa produkt został zmontowany i zapakowany z należytą starannością, istnieje niewielkie prawdopodobieństwo, że urządzenie może być uszkodzone lub brakować części. Jeśli zostanie taki fakt stwierdzony nie należy używać urządzenia do momentu usunięcia braków. Praca niekompletnym urządzeniem może być przyczyną poważnych uszkodzeń ciała.

MONTAŻ

Polerkę dostarcza się w stanie opakowanym i zmontowanym, z wyjątkiem osprzętu, wyposażenia i uchwytów dodatkowych..

Wprowadzenie

Gratulujemy wyboru urządzenia SPARKY, zdolnego spełnić oczekiwania najbardziej wymagającego użytkownika. Urządzenie zostało wyprodukowane zgodnie z rygorystycznymi standardami jakości SPARKY, aby zapewnić najwyższą jakość funkcjonowania. To łatwe i bezpieczne w użytkowaniu urządzenie, odpowiednio stosowane i konserwowane, zapewni Państwu długie lata niezawodnej pracy.

UWAGA!



Prosimy o dokładne zapoznanie się z niniejszą instrukcją obsługi przed użyciem urządzenia SPARKY, zwracając szczególną uwagę na ostrzeżenia i uwagi. Dzięki swoim cechom, urządzenie SPARKY zapewnia szybką i łatwą pracę. Bezpieczeństwo, niezawodność i wydajność były priorytetami przy konstruowaniu tego urządzenia aby zapewnić łatwość obsługi oraz utrzymania.



Nie wyrzucać urządzeń elektrycznych razem z odpadami domowymi!

Zużyte urządzenia elektryczne nie mogą być wyrzucane wraz z odpadami z gospodarstwa domowego. Tam gdzie to możliwe, należy oddać zużyte urządzenie do punktu odzyskiwania surowców. Należy skontaktować się z władzami lokalnymi lub sprzedawcą w celu uzyskania informacji odnośnie odzyskiwania surowców.

OCHRONA ŚRODOWISKA



Urządzenie, akcesoria oraz opakowanie powinny zostać odpowiednio posortowane przed recyklingiem. Części plastikowe są oznaczone odnośnie odpowiedniej kategorii odzyskiwania surowca.

OPIS SYMBOLI

Tabliczka znamionowa urządzenia może przedstawiać symbole. Przedstawiają one ważne informacje o produkcie lub jego obsłudze.



Izolacja podwójna zabezpieczenia dodatkowego.



Gwint łącznikowy wrzeciona M14.



Zgodny z odpowiednimi dyrektywami europejskimi.



Zgodne ze standardami rosyjskimi.



Zgodność z wymogami ukraińskich dokumentów normatywnych.



Zapoznać się z instrukcją obsługi.




Stosować zawsze okulary ochronne

YYYY-Www Okres produkcji, w którym zmiennymi symbolami są:
YYYY- roku produkcji,
ww – tydzień kalendarzowy.

PM Polerka.

Dane techniczne

Model	PM 1026CE	PM 1324CE	PM 1631CE
Pobór mocy	1010 W	1300 W	1600 W
Obroty biegu jałowego	800-2600 min ⁻¹	400-2400 min ⁻¹	600-3100 min ⁻¹
Narzędzie robocze	max.200 mm	max.220 mm	max.180 mm
Gwint łączący wrzeciona	M14	M14	M14
Długość gwintu wrzeciona	20 mm	20 mm	20 mm
Ciężar (procedura EPTA 01/2003)	3,4 kg	3,7 kg	3,7 kg
Klasa ochronności (EN 60745-1) 	II	II	II

INFORMACJA O HAŁASIE I DRGANIACH

Wartości zmierzono zgodnie z EN 60745.

Emisja hałasu

A- poziom zważony ciśnienia dźwiękowego L _{PA}	91 dB(A)	91 dB(A)	92 dB(A)
Nieokreśloność K _{PA}	3,0 dB(A)	3,0 dB(A)	3,0 dB(A)
A-poziom zważony natężenia dźwiękowego L _{WA}	102 dB(A)	102 dB(A)	103 dB(A)
Nieokreśloność K _{WA}	3,0 dB(A)	3,0 dB(A)	3,0 dB(A)

Stosować środki ochrony przed hałasem!

Emisja drgań *

Wartość łączna drgań (suma wektorowa trzech osi), ustalona zgodnie z EN 60745:

Szlifowanie powierzchni metalowej papierem ściernym			
Wartość emitowanych drgań a _{n,DS}	5,1 m/s ²	4,9 m/s ²	4,9 m/s ²
Nieokreśloność K _{DS}	1,5 m/s ²	1,5 m/s ²	1,5 m/s ²
Polerowanie farbowanej powierzchni krążkiem filcowym			
Wartość emitowanych drgań	5,4 m/s ²	5,4 m/s ²	5,4 m/s ²
Nieokreśloność K	2,0 m/s ²	2,0 m/s ²	1,5 m/s ²

* Drgania określone zgodnie z p. 6.2.7 normy EN 60745-1.

Podany w niniejszej instrukcji poziom drgań został zmierzony zgodnie z określoną przez normę EN 60745 procedurą i może być używany do porównywania urządzeń. Może być stosowany do wstępnego określenia ekspozycji.

Deklarowany poziom emisji drgań odnosi się do głównego zastosowania urządzenia. Jeżeli urządzenie zostanie przeznaczone do innych zastosowań, z innym osprzętem lub nie będzie należycie konserwowane, poziom emisji wibracji może się różnić. Może to znacznie zwiększyć poziom ekspozycji w łącznym czasie pracy.

Aby dokładnie określić poziom ekspozycji na drgania, należy także brać pod uwagę okresy gdy urządzenie jest wyłączone, lub gdy nawet jest włączone, ale nie wykorzystywane do pracy. Może to znacznie obniżyć poziom ekspozycji na drgania w łącznym czasie pracy.

Chronić urządzenie oraz osprzęt oraz dbać o zapewnienie ciepła dłoniom podczas pracy w celu obniżenia szkodliwego wpływu drgań.

Inne zastosowania takie jak cięcie lub szcztotkowanie mogą mieć inne wartości emisji drgań.

Pył z takich materiałów jak np. farba zawierająca ołów, niektóre gatunki drewna, minerały oraz metal może być szkodliwy. Kontakt lub inhalacja pyłów może spowodować reakcje alergiczne i/lub choroby układu oddechowego u operatora lub osób znajdujących się w bezpośredniej bliskości.

Pewne odmiany pyłów sklasyfikowane są jako rakotwórcze np. pył dębowy czy bukowy w szczególności w połączeniu z dodatkami zawierającymi chromaty i środki konserwujące. Materiały zawierające azbest mogą być obrabiane jedynie przez specjalistów.

- Tam gdzie możliwe jest stosowanie odciągu pyłów należy je stosować.
- Miejsce pracy musi być dobrze wentylowane.
- Zaleca się stosowanie maski p.pyłowej lub filtrów klasy P2.

Przestrzegać przepisów krajowych odnośnie obrabianych materiałów.

Wszystkie modele wyposażono w wbudowane urządzenie elektroniczne umożliwiające płynne rozkręcanie do obrotów znamionowych i ograniczenie prądu rozruchowego do 16 A.

Symbol CE w typowym oznaczeniu maszyny stwierdza obecność wbudowanego urządzenia elektronicznego zapewniającego stałe obroty przy obciążeniu w całym zakresie regulowanym.

Wszystkie modele wyposażono w wbudowane urządzenie elektroniczne zapewniające zabezpieczenie temperaturowe maszyny przy przeciążeniu.

Ogólne instrukcje bezpieczeństwa przy pracy z elektronarzędziami



UWAGA! Należy zapoznać się z niniejszą ogólną instrukcją bezpieczeństwa oraz całą instrukcją obsługi. *Nie przestrzeganie niniejszych instrukcji może spowodować porażenie prądem, pożar i/lub poważne obrażenia.*

Zachować niniejsze instrukcje na przyszłość.

Określenie „elektronarzędzie” odnosi się zarówno do urządzeń zasilanych z sieci (przewodowych) jak i zasilanych bateriami (bezprowadowych).

1) Bezpieczeństwo w miejscu pracy

- Miejsce pracy musi być zawsze dobrze oświetlone i czyste. Nieoświetlenie oraz nieład mogą być przyczyną wypadków.
- Nie należy używać urządzenia w obecności palnych płynów, gazów i pyłów. Podczas pracy urządzenia powstają iskry, które mogą zapalić pyły lub opary.
- Dzieci i osoby postronne nie powinny znajdować się w miejscu pracy elektronarzędziami. Brak skupienia może spowodować utratę kontroli nad urządzeniem.

2) Bezpieczeństwo elektryczne

- Wtyczka urządzenia musi pasować do gniazda zasilającego. Nie wolno modyfikować wtyczki w jakikolwiek sposób. Nie stosować żadnych adapterów w przypadku elektronarzędzi wymagających uziemienia. Nie modyfikowane wtyczki oraz gniazda zasilające redukują ryzyko porażenia prądem.
- Unikać kontaktu z uziemionymi przedmiotami takimi jak, rury, grzejniki, piece i lodówki. Ryzyko porażenia prądem wzrasta gdy ciało użytkownika zostanie uziemione.

- Nie narażać urządzenia na kontakt z deszczem lub wilgocią. *Woda wnikać do urządzenia zwiększa ryzyko porażenia prądem.*
 - Traktować przewód zasilający zgodnie z przeznaczeniem. Nigdy nie stosować przewodu do przenoszenia, przeciągania lub odłączania urządzenia od zasilania. Chronić przewód przed źródłem ciepła, olejami, przedmiotami o ostrych brzegach, ruchomymi częściami urządzeń. *Uszkodzony lub splątany przewód zwiększa ryzyko porażenia prądem.*
 - Podczas pracy na zewnątrz należy zawsze stosować odpowiedni przewód przedłużający przystosowany do pracy na zewnątrz. Stosowanie przewodu przeznaczonego do pracy na zewnątrz zmniejsza ryzyko porażenia prądem.
 - Jeżeli nie ma możliwości uniknięcia pracy elektronarzędziem w wilgotnym środowisku, należy stosować zasilanie wyposażone w wyłącznik różnicowoprądowy. *Stosowanie wyłącznika różnicowoprądowego redukuje ryzyko porażenia prądem.*
- ### 3) Bezpieczeństwo osobiste
- Zawsze należy pracować w należyтым skupieniu i kierować się rozsądkiem. Nie używać urządzenia będąc zmęczonym lub pozostając pod wpływem narkotyków, alkoholu lub będąc w trakcie leczenia. *Chwila nieuwagi podczas pracy urządzeniem może być przyczyną poważnych uszkodzeń ciała.*
 - Stosować wyposażenie ochronne. *Zawsze używać ochrony oczu. Wyposażenie takie jak maska p.pyłowa, buty na podszewie antypoślizgowej, kask, ochronniki słuchu, stosowane w odpowiednich warunkach, redukuje zagrożenie uszkodzenia ciała.*
 - Unikać przypadkowego włączenia urządzenia. Upewnić się, że wyłącznik znajduje się w położeniu „wylączony” przed podłączeniem urządzenia do źródła zasilania lub baterii. *Przenoszenie urządzenia*

trzymając za włącznik lub podłączając je do zasilania z włącznikiem w pozycji: „włączono” może być przyczyną wypadków.

- d) **Usunąć wszelkie klucze przed włączeniem urządzenia.** Pozostawienie klucza w rotującej części urządzenia może spowodować obrażenia ciała.
- e) **Nie przeceniać własnych możliwości.** Zawsze dbać o odpowiednie oparcie dla nóg oraz balans. Zapewni to lepszą kontrolę w nieoczekiwanych sytuacjach.
- f) **Stosować odpowiednie ubranie.** Nie nosić luźnych ubrań ani biżuterii. Nie zbliżać włosów, ubrania ani rękawic roboczych do ruchomych części urządzenia. Luźne ubranie, biżuteria lub długie włosy mogą utknąć w ruchomych częściach urządzenia.
- g) **Jeśli urządzenie jest wyposażone w adapter odprowadzania pyłów, należy sprawdzić czy jest odpowiednio podłączony i używany.** Stosowanie systemu odprowadzania pyłów może obniżyć niebezpieczeństwa związane z pyleniem.

4) Używanie i konserwacja urządzenia

- a) **Nie przeciążać urządzenia.** Stosować odpowiednio urządzenie do każdej pracy. Należyćie dobrze urządzenie wykona pracę lepiej i bezpieczniej w trybie do jakiego zostało zaprojektowane
- b) **Nie używać urządzenia jeśli włącznik nie działa.** Każde urządzenie z uszkodzonym włącznikiem jest niebezpieczne i musi zostać naprawione.
- c) **Zawsze należy odłączyć urządzenie od zasilania lub odłączyć baterie przed zmianą ustawień, wymianą akcesoriów lub odłożeniem po pracy.** Takie działanie zmniejszy ryzyko przypadkowego włączenia urządzenia.
- d) **Nieużywane urządzenie należy chronić przed dziećmi oraz nie zezwalać niepowołanym osobom nie znającym tego urządzenia lub niniejszej instrukcji na pracę tym urządzeniem.** Elektronarzędzia są niebezpieczne w rękach nie przeszkolonych osób.
- e) **Konserwować elektronarzędzia.** Sprawdzić połączenia części ruchomych, ewentualne uszkodzenia oraz inne czynniki mogące mieć wpływ na działanie urządzenia. W przypadku stwierdzenia uszkodzenia należy naprawić urządzenie przed dalszym użytkowaniem. Wiele wypadków spowodowanych jest nienależytą konserwacją urządzenia.

- f) **Narzędzia tnące zawsze muszą być ostre.** Odpowiednio konserwowane narzędzia tnące z ostrymi krawędziami rzadziej się zacinają w obrabianym materiale i są łatwiejsze w obsłudze.
- g) **Niniejsze urządzenie oraz osprzęt do niego muszą być używane zgodnie z niniejszą instrukcją obsługi oraz w zakresie przewidzianym dla danego typu urządzenia.** Zawsze należy brać pod uwagę rodzaj pracy do wykonania oraz warunki panujące w miejscu pracy. Użycie elektronarzędzi do celów innych niż opisane w niniejszej instrukcji obsługi może spowodować niebezpieczne sytuacje.

5) Serwis

- a) **Niniejsze urządzenie należy serwisować wyłącznie w wykwalifikowanych serwisach z wykorzystaniem oryginalnych części zamiennych.** Takie postępowanie zapewni należyte bezpieczeństwo elektronarzędzia.

Dodatkowe wytyczne dotyczące bezpieczeństwa pracy polerkami

Ogólne wskazówki dotyczące bezpieczeństwa przy szlifowaniu papierem ściernym i tarczami fibrowymi, przy czyszczeniu szczotką drucianą, przy polerowaniu tarczami filcowymi, gąbkami polerującymi, pokrowcami z wełny jagnięcej i tarczami filcowymi z kołnierzem:

- a) **Niniejszego elektronarzędzia można używać jako polerki oraz maszyny do czyszczenia ze szczotką drucianą.** Przeczytać wszystkie wskazówki dotyczące bezpieczeństwa, instrukcji, rysunków i danych, które dostarczono wraz z maszyną. Nieprzestrzeganie wskazówek bezpieczeństwa może doprowadzić do porażenia prądem, pożaru i/lub poważnego skałeczenia.
- b) **Niniejsze elektronarzędzie nie nadaje się do szlifowania i cięcia tarczą ścierną.** Wykonanie czynności, do których elektronarzędzie nie jest przeznaczone, może spowodować zagrożenie i skałeczenie.
- c) **Nie używać osprzętu niedozwolonego i niezalecanego przez producenta do sto-**

sowania specjalnie z niniejszym elektronarzędziem. *To że można zamocować osprzęt do Waszego elektronarzędzia nie gwarantuje jego bezpiecznego użycia.*

- W żadnym wypadku nie montować pił tarczowych lub tarcz przeznaczonych do szlifierek kątowych.
- Używać tylko osprzętu pasującego do obrabianego materiału i prędkości obrotowych.
- d) Obroty znamionowe osprzętu powinny być równe przynajmniej oznaczonym na elektronarzędziu obrotem maksymalnym. *Osprzęt obracające się z prędkością większą niż ich prędkość znamionowa, mogą ulec pęknięciu i rozpaść się.*
- e) Średnica zewnętrzna i grubość osprzętu powinny zawierać się w zakresie wskazanych wymiarów waszego elektronarzędzia. *Osprzętu o niewłaściwych wymiarach nie można chronić, ani sterować dobrze.*
- f) Kołnierze mocujące, tarczy elastyczne lub inne akcesoria powinny być dokładnie dopasowane do wrzeciona elektronarzędzia. *Akcesoria niedokładnie dopasowane do wrzeciona elektronarzędzia obracają się nierównomiernie, drgają nadmiernie i mogą doprowadzić do utraty kontroli nad elektronarzędziem.*
- g) Nie używać uszkodzonego osprzętu. *Przed każdym stosowaniem sprawdzać osprzęt: tarcze elastyczne - na pęknięcia, rozzerwania lub nadmierne zużycie; szczotki druciane - na obecność obluźowane lub złamane druciki. W razie upadku elektronarzędzia lub osprzętu, należy je sprawdzić pod kątem uszkodzenia, albo zamontować nieuszkodzony osprzęt. Po sprawdzeniu i zamontowaniu nieuszkodzonego osprzętu, należy wraz z osobami postronnymi ustawić się poza płaszczyznę obracającego się osprzętu, i pozostawić elektronarzędzie by pracowało na maksymalnych obrotach w biegu jałowym przez minutę. Ten czas jest dostateczny na to by uszkodzony osprzęt uległy zniszczeniu.*
- h) Używać środków ochrony osobistej. *W zależności od konkretnego przypadku, stosować tarczę ochronną dla twarzy lub okulary ochronne. W razie konieczności używać maseczki przeciwpyłowej, środków ochrony słuchu, rękawic ochronnych lub specjalnego fartucha zatrzymującego drobne cząsteczki z*

przyrządu polerującego lub czyszczącego bądź obrabianego detalu. *Środki ochrony oczu powinny chronić przed ewentualnym uszkodzeniem przez lecące okruchy powstające podczas różnych zabiegów. Maski chroniące przed pyłem i gazem powinny filtrować powstające podczas pracy cząsteczki. Przedłużające się wystawianie na działanie mocnego hałasu może doprowadzić do utraty słuchu.*

- i) Osoby postronne pozostawiać w bezpiecznej odległości od strefy pracy. *Każda osoba przebywająca w strefie pracy powinna nosić środki ochrony osobistej. Leczące okruchy obrabianego detalu lub cząsteczki złamanego osprzętu mogą spowodować skaleczenie nawet poza bezpośrednim obszarem pracy.*
- Ustawić obrabiany detal w imadle lub unieruchomić w inny odpowiedni sposób.
- Nie wywierać nacisku bocznego dla zatrzymania obracającej się tarczy po wyłączeniu maszyny.
- Maszynę prowadzić w kierunku obrabianego detalu tylko w stanie włączenia.
- k) Trzymać obrabiany detal poza obrębem działania obracającego się przyrządu. *W razie utraty kontroli nad elektronarzędziem, kabel zasilający może zostać przecięty lub może wciągnąć dłoń lub całą rękę w przestrzeń obracającego się instrumentu.*
- l) Nigdy nie odkładać urządzenia przed całkowitym zatrzymaniem się osprzętu. *Obracający się osprzęt może zahaczyć się o podłoże i spowodować utratę kontroli.*
- m) Nie nosić elektronarzędzia znajdującego się w stanie pracy. *Przypadkowy kontakt obracającego przyrządu z ubraniami może je wciągnąć i zranić ciało.*
- n) Czyścić regularnie otwory wentylacyjne elektronarzędzia. *Wentylator silnika elektrycznego zasysa pył w obudowie, a nadmiernie nagromadzenie się pyłu metalowego może zagrozić porażeniem prądem.*
- o) Nie używać elektronarzędzia blisko materiałów palnych. *Iskry mogą zapalić te materiały.*
- p) Nie używać osprzętu, który wymaga płynów chłodzących. *Używanie wody lub innych płynnych środków chłodzących może spowodować porażenie lub udar prądem.*
- Maszyna przeznaczona jest tylko do polerowania suchego.
- Elektronarzędzia używać tylko zgodnie z jego przeznaczeniem. *Wszelkie inne*

zastosowanie różniące się od opisanego w niniejszej instrukcji uważane jest za nieprawidłowe. Odpowiedzialność za wszelkie uszkodzenia lub urazy wynikające z niewłaściwego zastosowania ponosi użytkownik, a nie producent.

- Producent nie ponosi odpowiedzialności za dokonane przez użytkownika zmiany w elektronarzędziu lub za uszkodzenia spowodowane tego rodzaju zmianami
- Przy pracy w środowisku zapyłonym otwory wentylacyjne maszyny należy otrzymywać w stanie czystym. W razie potrzeby oczyszczenia otworów z pyłu, najpierw wyłączyć zasilanie i używać przedmiotów niemetalowych do usuwania pyłu, uważając by nie uszkodzić detali wewnętrznych elektronarzędzia. Elektronarzędzie przegrzewa się przy obniżonym chłodzeniu na skutek zapyłonych otworów wentylacyjnych.
- Elektronarzędzia nie używać na wolnym powietrzu w pogodzie deszczowej, w środowisku wilgotnym (po deszczu) lub blisko łatwopalnych płynów i gazów. Miejsce pracy powinno być dobrze oświetlone.

Inne wskazówki dotyczące bezpieczeństwa wszystkich operacji

Odbicie (zwrotny uder) oraz związane z nim wskazówki bezpieczeństwa

Odbicie elektronarzędzia występuje w wyniku zakleszczenia lub zablokowania obracającej się tarczy, tarczy elastycznej (podkładek), szczotek drucianych lub innych akcesoriów w obrabianym materiale. Zablokowanie powoduje gwałtowne zatrzymanie obracającego się osprzętu, co sprawia, że elektronarzędzie w sposób niekontrolowany zostaje gwałtownie odrzucone w kierunku przeciwnym do obrotów osprzętu w punkcie zakleszczenia.

Odrzut elektronarzędzia jest wynikiem niewłaściwego użytkownika i/lub niepoprawnej eksploatacji, lub niewłaściwych warunków pracy z elektronarzędziem i można go uniknąć stosując zalecenia opisane poniżej.

- a) Trzymać mocno elektronarzędzie i zachować odpowiednią pozycję ciała i ustawić ręce w sposób umożliwiający opanowanie siły odrzutu. Korzystać zawsze z dodatkowego uchwytu, jeśli elektronarzędzie jest wyposażone w taki uchwyt, co umożliwi największą kontrolę nad siłą odrzutu lub momentu

bezwładności podczas rozruchu. Jeśli zostaną zastosowane odpowiednie środki zapobiegawcze operator jest w stanie opanować siły momentu bezwładności lub odrzutu.

- b) Nigdy nie zbliżać dłoni do obracającego się osprzętu. Akcesoria mogą odbić się w stronę zbliżonej ręki.
- c) Nie ustawiać się w obszarze, do którego elektronarzędzie mogłoby przesunąć się w wyniku odrzutu. Odrzut uruchamia elektronarzędzie w kierunku przeciwnym do ruchu tarczy szlifującej, w miejscu zablokowania.
- d) Obrabiać ze szczególną ostrożnością narożniki, ostre krawędzie itp. Unikać odbijania i blokowania osprzętu w detalu. Narożniki, ostre krawędzie ułatwiają zablokowanie osprzętu, co może spowodować utratę kontroli lub spowodować odrzut elektronarzędzia.

Szczególne wskazówki odnośnie bezpieczeństwa podczas polerowania:

- a) Nie dopuszczać by obluźowane fragmenty nakładki polerskiej z wełny lub sznura mocującego obracały się swobodnie. Wepchnąć je do pokrowca lub przyciąć swobodne końce sznura mocującego. Rozluźnione obracające się sznury do zamocowania mogą wplątać się w palce ręki lub zahaczyć o detal.

Specyficzne wskazówki bezpieczeństwa podczas szlifowania papierem ściernym

- a) Nie używać zbyt dużych arkuszy papieru ściernego. Arkusz papieru ściernego wystający poza tarczą elastyczną, może zostać rozerwany i spowodować zablokowanie, zerwanie papieru ściernego lub odrzutu.

Specyficzne wskazówki bezpieczeństwa podczas pracy szczotkami drucianymi

- a) Należy pamiętać, że podczas prawidłowej pracy ze szczotki drucianej wypadają druciki. Nie przeciążać drucików w wyniku zbyt mocnego nacisku na szczotkę. Wylatujące druciki łatwo przedostają się przez cienkie ubranie i/lub skórę..
- b) Jeżeli do pracy szczotką drucianą zaleca się używanie ochraniacza, wtedy nie wolno dopuszczać do kontaktu ochra-

niacza ze szczotkami drucianymi w postaci tarczy lub czaszy. Szczotki druciane w postaci tarczy lub czaszy mogą powiększyć swoją średnicę pod oddziaływaniem nacisku podczas pracy i sił odśrodkowych.

Zapoznanie się z elektronarzędziem

Przed rozpoczęciem pracy elektronarzędziem należy zapoznać się wszystkimi szczegółami operacyjnymi i warunkami bezpieczeństwa. Używać elektronarzędzia i osprzętu wyłącznie zgodnie z ich przeznaczeniem. Każde inne zastosowanie jest stanowczo zakazane.

1. Wrzeciono
2. Przycisk blokujący wrzeciono
3. Przycisk blokujący wyłącznik
4. Wyłącznik
5. Potencjometr do regulacji obrotów
6. Zamknięta rękojeść dodatkowa
7. Krążek
8. Śruba
9. Tarcza elastyczna z układem przyklepnym
17. Klucz maszynowy SW 22

PRZYRZĄDY WSPÓŁPRACUJĄCE Z TYM ELEKTRONARZĘDZIEM

- 6b. Dodatkowa rękojeść dodatkowa
- 9b. Tarcza elastyczna z kołnierzami oporowym i mocującym
10. Narzędzie robocze z układem przyklepnym do ustalania do tarczy elastycznej (miękką tarcza pośrednią, arkusz ścierny, gąbka, tarcza filcowa, szczotka)
11. Narzędzie robocze z kołnierzem z nakrętką wbudowaną (tarcza z płótna, gąbka, tarcza filcowa, szczotka)
12. Bezpiecznik do rękojeści dodatkowej
13. Kołnierz oporowy
14. Kołnierz mocujący
15. Arkusz ścierny (papier ścierny)
16. Pokrowiec z wełny jagnięcej
18. Klucz dwurożny

Wskazówki pracy

Niniejsze elektronarzędzie zasilane jest tylko jednofazowym napięciem zmiennym. Należy się do podłączenia do gniazda bez zacisków ochronnych, ponieważ posiada podwójną izolację zgodnie z EN 60745-1 i IEC 60745. Zakłócenia radiowe odpowiadają wymogom Dyrektywy

dotyczącej kompatybilności elektromagnetycznej 2004/108/WE.

Niniejsze elektronarzędzie przeznaczone jest szlifowania zgrubnego i wykończeniowego na sucho, do czyszczenia i szczotkowania, polerowania i wcierania wszelkiego rodzaju powierzchni przy optymalnie wybranej prędkości obrotowej.

PRZED PRZYSTĄPIENIEM DO PRACY

- Sprawdzić, czy napięcie sieci elektrycznej odpowiada wartości napięcia podanej na tabliczce znamionowej elektronarzędzia.
- Sprawdzić w jakiej pozycji znajduje się wyłącznik. Elektronarzędzie powinno się podłączyć i odłączać od sieci zasilania tylko przy wyłączonym wyłączniku. W razie wprowadzenia wtyczki do gniazda sieci, gdy wyłącznik jest w stanie włączonym, elektronarzędzie ulegnie natychmiastowemu uruchomieniu, co może doprowadzić do wypadku.
- Upewnić się co do sprawności kabla zasilania i wtyczki. W razie uszkodzenia kabla zasilania, wymiany należy dokonać producent lub jego specjalista, aby uniknąć ewentualnych niebezpieczeństw podczas wymiany.



UWAGA: Zawsze wyłączać elektronarzędzie i wyjmować wtyczkę z gniazda przed przystąpieniem do dokonania nastawienia, regulacji, obsługi lub konserwacji, bądź w razie zaniku spadku napięcia zasilającego.

- W razie oddalenia strefy pracy od źródła zasilania, stosować należy możliwie najkrótszy przedłużacz o odpowiednim przekroju.
- Sprawdzić czy dodatkowy uchwyt został ustawiony prawidłowo i dokładnie dokręcony.

ROZRUCH - ZATRZYMANIE

Polerka zabezpieczona jest przed samorzutnym włączeniem.

Krótkotrwałe uruchomienie:

Rozruch: wcisnąć początkowo przycisk dodatkowy do zablokowania 3 wyłącznika, a następnie - główną dźwignię wyłącznika 4.

Zatrzymanie: wyłącznik 4 zwolnić.

Praca ciągła:

Rozruch: Przy już uruchomionej maszynie wcisnąć przycisk 3 i zwolnić dźwignię wyłącznika 4.

Zatrzymanie: Dźwignię wyłącznika 4 wcisnąć jednorazowo i natychmiast zwolnić.

MONTAŻ UKOMPLETOWANIA I NARZĘDZI ROBOCZYCH

Maszyna standardowo skompletowana jest z tarczą elastyczną z założoną nakrętką do bezpośredniego nakręcania na wrzeciono oraz z układem przylepnym do uchwycenia narzędzia roboczego na tarczy.

Możliwe są także inne ukompletowania.

Przy montażu i demontażu narzędzi (przybory) polerujących i szlifierskich poprzez nakręcanie/ odkręcanie wrzeciona, ustalić sztywnie wrzeciono 1 na polerce naciskając przycisk 2 znajdujący się na skrzynce redukcyjnej.



UWAGA: Nie wolno wciskać przyciska 2 przy obracającym się wrzecionie (1).

MONTAŻ RĘKOJEŚCI DODATKOWEJ

Rękojeść dodatkowa 6 lub 6b należy zamontować przy wszelkiego rodzaju pracy maszyną.

Rękojeść dodatkowa 6 zamocować do reduktora maszyny za pomocą dwóch śrub 8 i krążek 7 pod łbami śrub. Zakręcanie i odkręcanie śrub kluczem maszynowym SW22. Orientacja rękojeści względem elektronarzędzia zależy od wygody użytkownika.

Rękojeść dodatkowa 6b można zamocować z wyboru po prawej, górnej lub lewej stronie skrzynki redukcyjnej. Zakręca się bezpośrednio do skrzynki redukcyjnej elektronarzędzia.

W razie konieczności do rękojeści dodatkowej 6b można dołączyć bezpiecznik 12.

TARCZA ELASTYCZNA

Tarczę 9 zakręca się bezpośrednio do wrzeciona. Na tarczy można zamocować narzędzia robocze 10, wyposażone w układ przylepny do uchwycenia - papier ścierny, gąbkę polerującą, tarczę filcową, pokrowiec z wełny jagnięcej i in. Do demontażu (odkręcenia) tarcz w razie konieczności stosować klucz maszynowy.

W razie stosowania tarczy elastycznej 9b kołnierzem nocującym należy ustawić kołnierz oporowy 13, tarczę 9b i papier ścierny 15 na wrzecionie. Zakręcić kołnierz oporowy 14 i dokręcić go kluczem dwurożnym 18.

USTALENIE NARZĘDZIA ROBOCZEGO DO TARCZY ELASTYCZNEJ ZA POMOCĄ UKŁADU PRZYLEPNEGO (VELCRO)

Narzędzie robocze zamocowane do tarczy powinno być \varnothing min148. Narzędzie powinno dobrze przylegać do tarczy i przy montażu zapewnić mu osiowe ustawienie względem tarczy. Narzędzia robocze zamocowane mimośrodowo powodują bicie i drgania.



UWAGA: Stosować tylko tarczy robocze posiadające sprawny układ „chwytający”. Po dokonaniu wymiany tarczy uruchomić elektronarzędzie by pracowało z nową tarczą minimum 30 sekund na biegu jałowym.



UWAGA: Drgające lub nieprawidłowo obracające się tarcze należy niezwłocznie wymienić na nowe.

SZCZOTKA DRUCIANA

Elektronarzędzie może pracować z szczotką drucianą w postaci kielicha lub tarczy z gwintem łącznikowym M14.

Zakręcić szczotkę drucianą do wrzeciona 1 i dokręcić kluczem.

POKROWIEC Z WEŁNY JAGNIĘCEJ

Pokrowiec wełniany zakłada się do tarczy elastycznej 9b i rozpościera równomiernie po całej powierzchni.

Pokrowiec ustala się na tarczę polerującą za pomocą sznura.

Końce sznura przesuwają się między pokrowcem a tarczą polerującą.

KRĄŻEK POLERUJĄCY I GĄBKĄ POLERUJĄCĄ Z KOŁNIERZEM

Zakręcić krążek filcowy do polerowania lub gąbkę z kołnierzem do wrzeciona 1..

KRĄŻEK Z PŁÓTNA (NAKLADKA ŚCIERAJĄCA)

Krążek płócienny zamocowano za pomocą nośnika składającego się ze szpilki z otworem i gwintem, kołnierzy oporowego i mocującego. Krążek płócienny montuje się nakręcając go do wrzeciona elektronarzędzia.

STEROWANIE ELEKTRONICZNE ELEKTRONARZĘDZIA



UWAGA: Nie pracować elektronarzędziem przy niesprawnej elektronice, ponieważ jest to związane z podwyższeniem obrotów. Niesprawność elektroniki można stwierdzić na podstawie braku głównego spustu lub braku możliwości regulowania obrotami.

Polerkę opracowano i wyposażono w dwupółkresowe sterowanie elektroniczne o następujących funkcjach:

Uruchomienie płynne i ograniczenie prądu rozruchowego

Rozruch płynny zapewnia uruchomienie elektronarzędzia bez zrywu i zapobiega powstaniu wahań w napięciu sieci zasilania.

Regulacja prędkości obrotowej wrzeciona

Płynna regulacja prędkości obrotowej wrzeciona odbywa się zgodnie z rodzajem pracy wykonywanej przez użytkownika. Zakres regulacji zgodnie z Tablicą 1:

Tablica 1

Pozycja	Prędkość, min ⁻¹		
	PM 1026CE	PM 1324CE	PM 1631CE
A	800	400	600
B	1100	700	1000
C	1400	1000	1400
D	1700	1300	1800
E	2000	1600	2200
F	2300	1900	2600
G	2600	2400	3100



UWAGA: Wyprać uprzednio odpowiednią prędkość do wykonywanej operacji potencjometrem 5 zgodnie z tablicą 1.

Do wykonywanej operacji i wybranej prędkości stosować odpowiednie narzędzie robocze. Do polerowania stosować prędkość powyżej 1500 min⁻¹.

Stabilizacja prędkości obrotowej

Obroty wstępne wybrane stabilizowane są elektronicznie w celu ograniczenia zmniejszenia prędkości wrzeciona w zależności od zmieniającej się wielkości obciążenia.

Zabezpieczenie temperaturowe

W celu ochrony elektronarzędzia przed niedopuszczalnym przegrzaniem (spalenie silnika), w

procesie długotrwałej eksploatacji w trybie przeciążenia, przewidziano zabezpieczenie temperaturowe. Przed dochodzeniem do temperatury krytycznej elektronika wyłącza elektronarzędzie i przechodzi z trybu pracy do trybu ochrony. W celu doprowadzenia je do trybu pracy należy wyłączyć i ponownie włączyć wyłącznik.

Konserwacja



UWAGA: Zawsze wyłączać elektronarzędzie i wyjmować wtyczkę z gniazda sieci przed dokonywaniem jakichkolwiek zabiegów kontrolnych lub konserwacyjnych.

WYMIANA SZCZOTEK

Elektronarzędzie wyposażone jest w samowylączające się szczotki. W przypadku zużycia szczotek, obie szczotki należy wymienić jednocześnie na oryginalne szczotki w serwisie naprawczym SPARKY w ramach konserwacji gwarancyjnej i pozagwarancyjnej.

OGÓLNE SPRAWDZENIE

Sprawdzać regularnie wszystkie elementy mocujące upewniając się, że zostały mocno dociągnięte. W przypadku rozluźnienia jakiegokolwiek wkrętu, należy go niezwłocznie dokręcić dla uniknięcia powstania sytuacji ryzykownych. W razie uszkodzenia kabla zasilania, wymianę należy wykonać u producenta lub w jego autoryzowanym serwisie w celu uniknięcia ewentualnych komplikacji w wyniku wymiany.

CZYSZCZENIE

Dla bezpiecznej pracy należy zawsze utrzymywać w czystości elektronarzędzie i otwory wentylacyjne.

Sprawdzać regularnie, czy w otworach wentylacyjnych koło silnika elektrycznego lub w okolicy przełączników nie przedostał się pył lub obce przedmioty. Używać miękkiego pędzla do usuwania nagromadzonego pyłu. W celu ochrony oczu podczas czyszczenia zakładać okulary ochronne.

Gdy trzeba oczyścić obudowę elektronarzędzia, należy zastosować miękką wilgotną ścierkę. Można stosować także łagodny środek do mycia.



UWAGA! Nie wolno stosować spirytusu, benzyny lub innych rozpuszczalników. Nigdy nie stosować środków żrących do czyszczenia części plastikowych.



UWAGA! Nie wolno dopuścić do przedostania się wody do elektronarzędzia.

WAŻNE! W celu zapewnienia bezpiecznej pracy elektronarzędziem i jego niezawodności, wszelkie czynności naprawcze, konserwacyjne i regulacyjne (w tym kontrola i wymiana szczotek) należy wykonywać w autoryzowanych serwisach naprawczych SPARKY, używając wyłącznie oryginalnych części zamiennych.

Gwarancja

Okres gwarancji elektronarzędzi SPARKY jest określony w karcie gwarancyjnej produktu.

Usterki spowodowane normalnym zużyciem, przeciążeniem lub niewłaściwą obsługą, nie podlegają gwarancji.

Uszkodzenia wynikłe z wady materiałowej lub błędów produkcyjnych zostaną usunięte bezpłatnie w drodze naprawy lub wymiany urządzenia.

Reklamacje uszkodzonych urządzeń SPARKY zostaną rozpatrzone jeśli zostaną dostarczone w stanie w jakim stwierdzono wadę, nie rozmontowane, wraz z dokumentem zakupu i kartą gwarancyjną do autoryzowanego serwisu lub punktu sprzedaży.

Informacja

Przed użyciem należy dokładnie przeczytać niniejszą instrukcję.

Narzędzia SPARKY są stale ulepszane w związku z tym otrzymany produkt może nieznacznie różnić się od tego ukazanego w niniejszej instrukcji. Producent zapewnia sobie prawo do wprowadzania zmian bez uprzedzenia.

Specyfikacja może się różnić w zależności od kraju.

Tablica 2

Materiał	Zastosowanie	Narzędzie / materiał pomocniczy	Zalecane obroty, min⁻¹
Powierzchnie pomalowane i lakierowane Tworzywo sztuczne Drewno Kamień	Rozprowadzenie i wcieranie past polerujących Polerowanie na wysoki połysk	Tarcza filcowa, gąbka polerująca, pokrowiec z wełny jagnięcej, tarcza wełniana, tarcza z płótna	400-1100
Tworzywo sztuczne Metale kolorowe Kamień	Polerowanie	Tarcza filcowa polerująca (krażek filcowy), tarcza z płótna	900-1300
Tworzywo sztuczne Drewno Metale kolorowe	Wygladzanie powierzchni	Arkusze szlifierskie	1200-2000
Metal Drewno	Usuwanie farby	Arkusze szlifierskie	2000-2400
Metal Drewno	Usuwanie rdzy Szczotkowanie	Szczotki druciane	2000-2400
Kształtowniki drewniane Okienne	Przeszlifowanie i szczotkowanie zaschniętej farby popękanej	Szczotki druciane	2300-2900
Kamień	Szlifowanie	Arkusze ścierny	2500-3100

Содержание

Введение.....	82
Технические данные	84
Общие указания по технике безопасности при работе с электроинструментами.....	85
Дополнительные указания по работе с полировальными машинами	87
Знакомство с электроинструментом	A/90
Указания по работе	90
Поддержка	92
Гарантия.....	93

РАСПАКОВКА

В соответствие с общепринятыми технологиями крупносерийного производства, почти не существует риска поломки Вашего электроинструмента, или отсутствия какой-либо из его частей. Если вы все же установите повреждение, не используйте электроинструмент до тех пор, пока дефектная часть не будет заменена, а неисправность - устранена. Нарушение этой рекомендации может привести к серьезному трудовому инциденту.

СБОРКА

Полировальная машина поставляется в упакованном и собранном виде, за исключением рабочей насадки, расходных материалов и дополнительных рукояток.

Введение

Новоприобретенный Вами электроинструмент SPARKY превзойдет Ваши ожидания. Его производство подчиняется высоким стандартам качества SPARKY, отвечающим строгим требованиям потребителя. Удобный для обслуживания и безопасный в эксплуатации, этот электроинструмент при правильном употреблении будет служить безотказно долгие годы.

ПРЕДОСТЕРЕЖЕНИЕ!



Прочтите внимательно и целиком инструкцию по эксплуатации перед использованием новоприобретенного электроинструмента SPARKY. Обратите специальное внимание на параграфы, обозначенным словом "Предостережение". У Вашего электроинструмента SPARKY много качеств, которые облегчают работу. При разработке этого инструмента основное внимание было направлено на безопасность, эксплуатационные качества и надежность, которые облегчают его обслуживание и эксплуатацию.



Не выбрасывать электроинструменты вместе с бытовыми отбросами!

Отбросы электрических изделий нельзя собирать вместе с бытовыми отбросами. Они должны быть рециклированы на местах, предназначенных специально для этих целей. Просим обратиться к местным властям или к нашему представителю для получения информации насчет рециклирования.

ЗАЩИТА ОКРУЖАЮЩЕЙ СРЕДЫ



Для предохранения окружающей среды электроинструменты, принадлежности и упаковки должны быть переработаны подходящим образом для повторно использования содержащихся в них материалов. Для облегчения процесса рециклирования детали, сделанные из искусственных материалов, обозначены соответствующим способом.

ОПИСАНИЕ СИМВОЛОВ

На табличке с данными электроинструмента нанесены специальные символы, содержащие важную информацию о продукте или инструкции по использованию.



Двойная изоляция для дополнительной защиты.



Присоединительная резьба шпинделя M14.



Соответствует релевантным европейским директивам.



Соответствует требованиям российским нормативным документам.



Соответствует требованиям украинским нормативным документам.



Ознакомьтесь с инструкцией по эксплуатации.




Всегда надевайте защитные очки.

YYYY-Www Период производства, где переменные символы означают:
YYYY - год производства,
ww – очередная календарная неделя.

PM Полировальная машина.

Технические данные

Модель	PM 1026CE	PM 1324CE	PM 1631CE
Потребляемая мощность	1010 W	1300 W	1600 W
Обороты на холостом ходу	800-2600 min ⁻¹	400-2400 min ⁻¹	600-3100 min ⁻¹
Рабочая насадка	max.200 mm	max.220 mm	max.180 mm
Соединительная резьба шпинделя	M14	M14	M14
Длина резьбы шпинделя	20 mm	20 mm	20 mm
Вес (ЕРТА процедура 01/2003)	3,4 kg	3,7 kg	3,7 kg
Класс защиты (EN 60745-1) 	II	II	II

ИНФОРМАЦИЯ ОБ УРОВНЕ ШУМЕ И ВИБРАЦИЯХ

Показатели замерены согласно EN 60745.

Уровень шума

А-взвешенный уровень звуковой нагрузки L _{PA}			
	91 dB(A)	91 dB(A)	92 dB(A)
Неопределенность K _{PA}			
	3,0 dB(A)	3,0 dB(A)	3,0 dB(A)
А- взвешенный уровень звуковой мощности L _{WA}			
	102 dB(A)	102 dB(A)	103 dB(A)
Неопределенность K _{WA}			
	3,0 dB(A)	3,0 dB(A)	3,0 dB(A)

Используйте средства для защиты от шума!

Уровень вибраций *

Общий уровень вибраций (сумма векторов по трем осям), определенная согласно EN 60745:

Шлифовка металлической поверхности наждачной бумагой			
Показатель вибраций a _{h,DS}	5,1 m/s ²	4,9 m/s ²	4,9 m/s ²
Неопределенность K _{DS}			
	1,5 m/s ²	1,5 m/s ²	1,5 m/s ²
Полировка крашенной поверхности фетровым диском			
Показатель вибраций a _h	5,4 m/s ²	5,4 m/s ²	5,4 m/s ²
Неопределенность K			
	2,0 m/s ²	2,0 m/s ²	1,5 m/s ²

* Уровень вибраций определен согласно п. 6.2.7 EN 60745-1.

Указанный в настоящую инструкцию уровень вибраций измерен в соответствии с установленную EN 60745 методику испытаний и может использоваться для сравнения электроинструментов. Уровень вибраций может использоваться для предварительной оценки воздействия.

Указанный уровень вибраций дан при условии использования инструмента по его прямому назначению. В тех случаях, когда электроинструмент используется для других целей, с другими принадлежностями, уровень вибраций может отличаться от указанного. В этих случаях уровень воздействия может значительно возрасти в рамках общего периода работы.

Для точной оценки воздействия вибраций во время определенного периода работы необходимо учитывать промежутки времени, в которые электроинструмент выключен, либо хотя и включен, но фактически не используется. Это может существенно сократить воздействия вибраций в течение всего периода работы.

Сохраняйте электроинструмент и его принадлежности в хорошем состоянии. Во время работы старайтесь сохранять руки теплыми - это поможет уменьшить вредное воздействие при работе с повышенной вибрацией.

При других операциях, например или зачистке проволочными щетками, уровень вибраций может отличаться от представленных замеров.

Пыль материалов, как с краски с содержанием свинца, некоторых сортов древесины, минералов и металла может быть вредной для здоровья. Прикосновение к пыли и попадание пыли в дыхательные пути может вызвать аллергические реакции и/или заболевания дыхательных путей оператора или находящегося вблизи персонала.

Определенные виды пыли, как из дуба и бука, считаются канцерогенными, особенно, совместно с присадками для обработки древесины (хромат, средство для защиты древесины). Материал с содержанием асбеста разрешается обрабатывать только специалистам.

- По возможности применяйте отсос пыли.
- Следите за хорошей вентиляцией.
- Рекомендуется пользоваться дыхательной защитной маской с фильтром класса P2.

Соблюдайте действующие в Вашей стране предписания для обрабатываемых материалов.

Все модели снабжены встроенным электронным устройством, обеспечивающим плавное увеличение скорости до номинальных оборотов и ограничение тока при пуске до 16 А.

Символ SE в обозначении модели машины указывает на наличие встроенного электронного устройства, обеспечивающего постоянные обороты при нагрузке по всему регулируемому диапазону.

Все модели имеют встроенное электронное устройство, обеспечивающее термозащиту машины при перегрузке.

Общие указания по безопасности при работе с электроинструментами



ПРЕДОСТЕРЕЖЕНИЕ! Прочитайте все предупреждения и указания по безопасности. Несоблюдение предупреждений и указаний по безопасности может привести к поражению электрическим током, от пожара и/или серьезным ранениям.

Сохраните все предупреждения и указания для дальнейшего использования.

Термин “электроинструмент” во всех указанных ниже предупреждениях касается вашего электроинструмента, с питанием от сети (с кабелем) и/или электроинструмент с питанием от аккумуляторной батареи (без кабеля).

1) Безопасность рабочего места

- Содержите рабочее место в чистоте и хорошо освещенным. Беспорядок и недостаточное освещение являются предпосылками трудовых инцидентов.
- Не работайте с электроинструментами во взрывоопасной атмосфере при наличии воспламеняющихся жидкостей, газов или пыли. Электроинструменты создают искры, которые могут воспламенить пыль или пары.
- Держите детей и посторонних лиц на расстоянии, когда работаете с электроинструментом. Рассеивание может

привести к потере контроля с Вашей стороны.

2) Электрическая безопасность

- Штепселя электроинструментов должны соответствовать контактным гнездам. Никогда не меняйте штепсель каким-либо способом. Не используйте какие-либо адаптерные штепселя для электроинструментов с защитным заземлением. *Использование оригинальных штепселей и соответствующим им контактов уменьшает риск от удара электрическим током.*
- Избегайте соприкосновения тела с землей или с заземленными поверхностями, такими как трубы, радиаторы, кухонные плиты и холодильники. *Если ваше тело заземлено, существует повышенный риск поражения электрическим током.*
- Не оставляйте электроинструменты под дождем или во влажной среде. *Проникновение воды в электроинструменты повышает риск от поражения электрическим током.*
- Используйте кабель по назначению. Никогда не используйте кабель для переноса электроинструмента, натягивания или отключения штепселя из контактного гнезда. Держите кабель далеко от тепла, масла, острых углов или движущихся частей. *Поврежденные или запутанные кабели повышают риск от поражения электрическим током.*
- Во время наружной работы с электроинструментом используйте удлинитель, подходящий для этих целей. *Использование удлинителя, предназначенного для внешних /наружных/ работ,*

уменьшает опасность от поражения электрическим током.

- f) В случае, если работа с электроинструментом во влажной среде неизбежна, используйте предохранительное устройство, которое задействовано от остаточного тока для прерывания подачи тока. Использование предохранительного устройства уменьшает риск от поражения электрическим током.

3) Личная безопасность

- a) Будьте бдительны, работайте с повышенным вниманием и проявляйте благоразумие, когда работаете с электроинструментом. Не используйте электроинструмент, когда вы устали или находитесь под влиянием наркотиков, алкоголя или медикаментов. Момент невнимания при работе с электроинструментом может привести к серьезной производственной травме.
- b) Используйте индивидуальные средства защиты. Носите всегда защитные очки. Индивидуальные средства защиты, такие как маска против пыли, нескользкая обувь, защитный шлем или средства для защиты слуха, используемые в конкретных условиях, снижают риск от производственных травм.
- c) Избегайте невольного пуска инструмента. Убедитесь, что выключатель находится в положении „выключено” перед включением к источнику питания и/или аккумуляторной батарее перед тем, как его возьмете в руки или переносите. Ношение электроинструмента с пальцем на выключателе или подключение к источнику питания электроинструмента с выключателем во включенном положении является предпосылкой для производственной травмы.
- d) Удалите каждый ключ для затягивания или гаечный ключ перед включением электроинструмента. Ключ для затягивания или гаечный ключ, прикрепленный к вращающейся части электроинструмента, может привести к трудовому инциденту.
- e) Не перетягивайтесь. Поддерживайте правильное положение и равновесие в течение всей работы. Это позволит лучше управлять электроинструментом при неожиданных ситуациях.
- f) Носите подходящую рабочую одежду.

Не носите широкую одежду или украшения. Держите свои волосы, одежду и перчатки далеко от движущихся частей. Широкая одежда, бижутерия или длинные волосы могут попасть в движущиеся части.

- g) Если электроинструмент снабжен приспособлением для пыли, убедитесь, что они правильно установлены и правильно используются. Использование этих устройств может понизить связанные с пылью опасности.

4) Эксплуатация и уход за электроинструментами

- a) Не перегружайте электроинструмент. Используйте правильно выбранный электроинструмент согласно его предназначению. Правильно подобранный электроинструмент работает лучше и безопасней для объявленного режима работы, для которого он спроектирован.
- b) Не используйте электроинструмент в случае, если выключатель не переключается во включенное и исключенное положение. Каждый электроинструмент, который не может управляться с помощью его выключателя, опасен и подлежит ремонту.
- c) Отключите штепсель от электросети перед тем, как начать любые настройки, перед заменой принадлежностей или перед тем, как убрать электроинструмент для хранения. Эти меры предосторожности снижают риск невольного пуска электроинструмента.
- d) Сохраняйте неиспользованные электроинструменты в местах, недоступных для детей и не позволяйте обслуживающему персоналу, который не знаком с электроинструментом или инструкциями по эксплуатации, работать с ним. Электроинструменты являются опасными в руках необученных потребителей.
- e) Проверяйте электроинструменты. Проверяйте, работают ли нормально и движутся ли свободно движущиеся части, находятся ли в целости и исправности части, а также проверяйте все прочие обстоятельства, которые могут неблагоприятно повлиять на работу электроинструмента. Если он поврежден, электроинструмент необходимо отремонтировать перед его дальнейшим использованием.

нием. Много инцидентов причиняются от плохо обслуженных электроинструментов.

- f) Поддерживайте режущие инструменты острыми и чистыми. Правильно поддерживаемые режущие инструменты с острыми режущими углами режут легко и блокируются и прощупываются.
- g) Используйте электроинструмент, принадлежности и части инструмента и т.д. в соответствии с этими инструкциями и способом, предусмотренным для конкретного типа электроинструмента, имея в виду рабочие условия и работу, которую необходимо выполнять. Использование электроинструмента для работы не по назначению может привести к опасной ситуации.

5) Обслуживание

- a) Ремонтируйте ваш электроинструмент у квалифицированного специалиста по ремонту, при этом используйте только оригинальные запасные части. Это обеспечивает сохранение безопасности электроинструмента.

Дополнительные указания по работе с полировальными машинами

Общие указания по технике безопасности при шлифовании наждачным и фибро-дисками, чистке проволочной щеткой, полировке фетровыми дисками, полирующими губками, чехлами из овечьей шерсти и шерстяными дисками с фланцем:

- a) Настоящий электроинструмент может использоваться в качестве машины с наждачной бумагой, с проволочными щетками и полировальной машины. Прочитайте внимательно все указания по безопасности, инструкции, иллюстрации и данные, которые Вы получили с электроинструментом. Несоблюдение указаний по безопасности может привести к поражению электрическим током, возникновению пожара и/или получению серьезных травм.

- b) Настоящий электроинструмент не подходит для шлифовки и резки с абразивным диском. Операции для которых электроинструмент не предназначен могут вызвать опасность и привести к травме.
- c) Не пользуйтесь принадлежностями, которые не разрешены и не рекомендуются производителем специально для данного электроинструмента. Возможность крепления принадлежности к Вашему электроинструменту, не гарантирует безопасного применения.
 - Ни в коем случае недопустима установка циркулярных дисков или дисков, предназначенных для углошлифовальных инструментов.
 - Пользоваться оснасткой, предназначенной исключительно для обработки данного материала и соответствующей оптимальным оборотам вращения.
- d) Допустимое число оборотов принадлежности должно быть не менее указанного на электроинструменте максимального числа оборотов. Принадлежности, которые вращаются со скоростью, превышающей их номинальную скорость, могут разбиться и разлететься в пространстве.
- e) Наружный диаметр и толщина рабочего инструмента должны быть не менее указанных размеров Вашего электроинструмента. Принадлежности с неподходящими размерами не могут быть защищены или контролироваться в достаточной степени.
- f) Шлифовальные диски, затягивающие фланцы, эластичные диски или другие принадлежности должны точно сидеть на шпинделе вашего электроинструмента. Принадлежности, неточно сидящие на шпинделе электроинструмента, вращаются неравномерно, сильно вибрируют и могут привести к потере контроля.
- g) Не применяйте поврежденные принадлежности. Перед каждым использованием проверяйте принадлежности - шлифовальные диски на зазубрины и трещины, эластичные диски на трещины, разрывы или сильный износ, проволочные щетки на незакрепленные или поломанные проволоки. При случайном падении электроинструмента или принадлеж-

ности, проверяйте инструмент на повреждения или установите поврежденную принадлежность. После проверки и установки принадлежности, Вы и находящиеся вблизи лица, займите место за пределами плоскости вращения принадлежности и оставьте электроинструмент поработать на максимальных оборотах на холостом ходу в течение одной минуты. Обычно этого времени достаточно для того, чтобы поврежденные принадлежности сломались.

- h) Применяйте средства индивидуальной защиты. В зависимости от конкретного случая, пользуйтесь защитным щитком для лица или защитными очками. В случае необходимости используйте противопылевой респиратор, средства защиты слуха, защитные печатки или специальный халат, который задерживает мелкие частицы от шлифовальной принадлежности или обрабатываемой детали. Средства для защиты глаз должны защищать их от различных летящих предметов, возникающих при различных операциях. Противопылевой респиратор и газозащитные маски органов дыхания должны задерживать при работе пыль. Продолжительное воздействие сильного шума может привести к потере слуха.
- i) Следите за тем, чтобы все лица находились на безопасном расстоянии от Вашего рабочего участка. Каждое лицо, находящееся в пределах рабочего участка, должно носить средства индивидуальной защиты. Летящие осколки от обрабатываемых деталей или от сломанной принадлежности могут отлететь в сторону и причинить травму даже за пределами непосредственного рабочего участка.
- Фиксируйте обрабатываемую деталь в тисках или иным подходящим образом.
 - Не применяйте боковой нажим для торможения вращения диска после отключения питания.
 - Производить соприкосновение рабочей насадки с обрабатываемой деталью только во включенном положении.
- j) Держите шнур подключения питания в стороне от вращающейся принад-

лежности. Если Вы потеряете контроль над электроинструментом, то шнур может быть порезан или захвачен вращающейся частью и Ваша кисть может попасть под вращающийся инструмент.

- k) Никогда не выпускайте электроинструмент из рук, пока принадлежность полностью не прекратит вращаться. Вращающаяся принадлежность может задеть обрабатываемый материал и в результате Вы потеряете контроль над электроинструментом.
- l) Выключайте электроинструмент при транспортировке. Ваша одежда может быть случайно захвачена принадлежностью, что может нанести Вам травму.
- m) Регулярно очищайте вентиляционные отверстия электроинструмента. Вентилятор электродвигателя засасывает пыль в корпус, а чрезмерное скопление металлической пыли может привести к опасности от поражения электрическим током.
- n) Не пользуйтесь электроинструментом вблизи горючих материалов. Искры могут воспламенить эти материалы.
- o) Не применяйте принадлежности, работа с которыми требует использование охлаждающих жидкостей. Применение воды или других охлаждающих жидкостей может привести к поражению или удару электрическим током.
- Инструмент предназначен только для полировки всухую.
 - Электроинструмент следует использовать только по назначению. Любое другое применение, отличающееся от указанного в данной инструкции, считается неправильным применением. Ответственность за любое повреждение или ранение, вызванное неправильным употреблением, несет потребитель, а не производитель.
 - Производитель не несет ответственность в случае внесенных потребителем в электроинструмент изменений или за повреждения, вызванные такими изменениями.
 - При работе в пыльной среде вентиляционные отверстия машины следует поддерживать в чистоте. Если необходимо удалить пыль, вначале следует отключить электропитание.

Удалять пыль следует неметаллическими предметами для чистки пыли, предохраняя внутренние детали машины от повреждений. Электроинструмент будет перегреваться при нарушении охлаждения вследствие пыльных вентиляционных отверстий.

Другие указания по безопасности всех операций

Обратный удар (отскок) и связанные с ним указания по безопасности

Обратный удар – это внезапная реакция, являющаяся следствием заклинивания или блокировки принадлежности, например шлифовального диска, эластичного диска, проволочной щетки и т.п. Заклинивание или блокировка водит до внезапной остановки вращения принадлежности, которое со своей стороны выталкивает неконтролируемый электроинструмент в сторону, противоположную направлению вращения рабочего инструмента в точке заклинивания.

Обратный удар является следствием неправильного использования и/или неправильной эксплуатации или условий работы с электроинструментом, и может быть предотвращен благодаря нижеописанным мерам предосторожности.

- a) Держите крепко электроинструмент, примите подходящую позу и поставьте руки таким образом, чтоб Вы смогли противодействовать силе обратного удара. Всегда используйте дополнительную рукоятку при ее наличии, чтобы как можно лучше противодействовать и осуществлять контроль над силой отскока или реактивным моментом при запуске. Благодаря правильным мерам предосторожности оператор может овладеть реактивным моментом и отскоком.
- b) Ваши руки никогда не должны быть вблизи вращающейся принадлежности. Принадлежность может отскочить и попасть на Ваши руки.
- c) Держитесь в стороне от участка, в котором электроинструмент может двигаться при обратном ударе. Отскок ведет электроинструмент в направлении, противоположное движению гибкого диска или щетки в месте блокировки.
- d) При обработке углов, острых кромок и проч., работайте с повышенным вниманием.

Не позволяйте принадлежности отскакивать или блокировать деталь. При обработке углов и острых кромок имеется вероятность заклинивания вращающейся принадлежности, что может причинить потерю контроля или отскок.

Специальные указания по безопасности при шлифовании наждачной бумагой

- a) Не применяйте шлифовальные листы чрезмерно больших размеров, соблюдайте указания производителя о размерах наждачной бумаги. Шлифовальный лист, который выступает за край эластичного диска, может разорваться и тем самым привести к блокировке, разрыву листа или отскоку.

Специальные указания по безопасности при полировании:

- a) Не допускайте, чтобы свободные части от пылесборника из шерсти или закрепляющий шнур могли свободно вращаться. Приберите в пылесборник /мешочек для пыли/ или затяните свободные концы закрепляющего шнура. Свободно висящие шнуры для закрепления пылесборника могут обмотать Ваши руки или зацепиться за деталь.

Специальные указания по безопасности при работе с проволочными щетками:

- a) Имейте в виду, что даже при нормальной работе с проволочных щеток падает проволока. Не перегружайте проволоку чрезмерным усилием прижатия. Отлетающие куски проволоки легко проникают через тонкую одежду и/или кожу.
- b) Если при работе с проволочной щеткой рекомендуется использовать защитный кожух, не допускайте соприкосновения кожаной с дисковой (тарельчатой) или чашечной щеткой. Тарельчатые или чашечные проволочные щетки могут увеличивать свой диаметр под воздействием усилия прижатия и центробежных сил.

Знакомство с электроинструментом

До начала работы, ознакомьтесь со всеми оперативными особенностями электроинструмента и условиями техники безопасности. Используйте электроинструмента и его принадлежности только по назначению. Любое другое приложение категорически запрещено

1. Шпиндель
2. Кнопка стопора шпинделя
3. Кнопка стопора выключателя
4. Выключатель
5. Потенциометр регулировки оборотов
6. Закрытая дополнительная рукоятка
7. Шайба
8. Болт
9. Эластичный диск на клейкой основе
17. Гаечный ключ SW 22

ПРИНАДЛЕЖНОСТИ, КОТОРЫЕ МОГУТ ИСПОЛЬЗОВАТЬСЯ НА ЭТОМ ЭЛЕКТРОИНСТРУМЕНТЕ

- 6b. Боковая дополнительная рукоятка
- 9b. Эластичный диск с опорным стягивающим фланцем
10. Рабочий инструмент с клейкой системой фиксации на эластичном диске (мягкий промежуточный диск, абразивный лист, губка, фетровый диск, чехол из овечьей шерсти)
11. Рабочий инструмент с фланцем и встроенной гайкой (тканевой диск, губка, фетровый диск, щетка)
12. Предохранитель для дополнительной рукоятки
13. Опорный фланец
14. Стягивающий фланец
15. Абразивный лист (наждак)
16. Чехол из овечьей шерсти
18. Двурогий ключ

Указания по работе

Эти электроинструменты подключаются только в однофазное непостоянное напряжение. Имеют двойную изоляцию согласно EN 60745-1 и IEC 60745-1 и могут подключаться к контактам без защитных клемм. Радиопомехи соответствуют Директивы Европейского парламента и Совета 2004/108/

ЕС относительно электромагнитной совместимости.

Этот электроинструмент предназначен для грубого и чистового шлифования всухую, очистки, полирования и втирания по всем видам поверхностей при оптимальной частоте вращения.

ДО НАЧАЛА РАБОТ

- Проверьте соответствие напряжения электросети с обозначенными на табличке техническими данными электроинструмента.
- Проверьте положение выключателя. Электроинструмент следует подключать и отключать от сети питания только при выключенном выключателе. Если вставить штепсель в розетку при выключенном выключателе, электроинструмент немедленно приводится в действие, что может привести к ранению.
- Убедитесь в исправности кабеля питания и штепселя. Если кабель поврежден, во избежание возможных рисков, его замену осуществляет только производитель или его сервисный специалист.



ПРЕДОСТЕРЕЖЕНИЕ: Всегда отключайте электроинструмент и вынимайте штепсель из розетки перед тем, как приступить к любой настройке, обслуживанию или поддержанию, а также в случае отсутствия электрического напряжения.

- Если зона работ удалена от источника питания, используйте наиболее короткий возможный удлинитель с подходящим сечением.
- Проверьте правильность и надежность монтажа дополнительной рукоятки.

ПУСК - ОСТАНОВКА

Полировальная машина снабжена предохранителем против случайного пуска.

Кратковременный пуск:

Пуск: Первоначально нажать дополнительную кнопку 3 (блокировка) выключателя, после чего – главный рычаг выключателя 4. Остановка: Освободить выключатель 4.

Длительная работа:

Пуск: Запустить машину и нажать кнопку 3, освободить рычаг выключателя 4. Остановка: Рычаг выключателя 4 нажать один раз и сразу же освободить.

МОНТАЖ КОМПЛЕКТАЦИИ И РАБОЧИХ НАСАДОК

Стандартная комплектация машины включает эластичный диск с гайкой для непосредственного прикручивания к шпинделю, с клейкой системой захвата рабочей насадки к диску.

Возможна другая комплектация.

При монтаже и демонтаже полирующих, шлифующих насадок (принадлежностей) путем закручивания / раскручивания шпинделя, следует фиксировать шпиндель 1 на полирующей машине, нажав кнопку 2, расположенную на редукторной коробке.



ПРЕДОСТЕРЕЖЕНИЕ: Запрещается нажимать кнопку 2 при вращающемся шпинделе!

МОНТАЖ ДОПОЛНИТЕЛЬНОЙ РУКОЯТКИ

Дополнительную рукоятку 6 или 6b следует монтировать при всех видах работы электроинструмента.

Дополнительная рукоятка 6 прикрепляется к редуктору посредством двух болтов 8 и шайб 7 под головками болтов, с помощью гаечного ключа SW22. Настройка рукоятки к машине осуществляется в зависимости от удобства оператора.

Дополнительную рукоятку 6b можно закрепить по выбору, с правой, верхней, или левой стороны редукторной коробки, прикрутив ее непосредственно к редукторной коробке электроинструмента.

При необходимости, вместе с дополнительной рукояткой 6b можно использовать предохранитель 12.

ЭЛАСТИЧНЫЙ ДИСК

Диск 9 закручивается непосредственно к шпинделю. К диску могут прикручиваться рабочие насадки 10, снабженные клейкой системой: наждак, полировальная губка, фетровый диск, чехол из овечьей шерсти и др. Для демонтажа диска, при необходимости, используется гаечный ключ.

При использовании эластичного диска 9b с затягивающимся фланцем, необходимо монтировать к шпинделю опорный фланец 13, диск 9b и наждак 15. Закрутите стягивающий фланец 14, затяните ключом 18.

ФИКСИРОВАНИЕ РАБОЧИХ НАСАДОК НА ЭЛАСТИЧНОМ ДИСКЕ С КЛЕЙКОЙ СИСТЕМОЙ (VELCRO)

Рабочая насадка, устанавливаемая на диск, должна иметь $\varnothing_{\text{min}} 148$. Она должна плотно лечь на диск, при монтаже следует обеспечить совпадение осей насадки и диска. Неправильно смонтированные рабочие насадки вызывают рывки и вибрации.



ПРЕДОСТЕРЕЖЕНИЕ: Используйте только рабочие насадки с исправной системой захвата. После смены диска, включите машину для работы на холостом ходу минимум на 30 секунд.



ПРЕДОСТЕРЕЖЕНИЕ: Вибрирующие или неравномерно вращающиеся диски следует немедленно заменить.

МЕТАЛЛИЧЕСКАЯ ЩЕТКА

В работе электроинструмента можно использовать дисковую металлическую щетку с резьбой M14.

Прикрутите металлическую щетку к шпинделю 1, затяните ключом.

ЧЕХОЛ ИЗ ОВЕЧЬЕЙ ШЕРСТИ

Чехол из овечьей шерсти одеть на эластичный диск 9b, равномерно распределив по всей поверхности.

Чехол фиксируется на полировальном диске посредством шнура.

Концы шнура просовываются внутрь, между чехлом и полирующим диском.

ФЕТРОВАЯ ПОЛИРУЮЩАЯ ШАЙБА И ПОЛИРУЮЩАЯ ГУБКА С ФЛАНЦЕМ

Прикрутите полирующую шайбу или губку с фланцем к шпинделю 1.

ТКАНЕВАЯ ШАЙБА (ПРИТИР)

Тканевая шайба прикручивается с помощью носителя, состоящего из шпильки с отверстием и резьбой, опорного фланца. Тканевая шайба монтируется (прикручивается) к шпинделю.

ЭЛЕКТРОННОЕ УПРАВЛЕНИЕ ЭЛЕКТРОИНСТРУМЕНТА



ПРЕДОСТЕРЕЖЕНИЕ: Не используйте электроинструмент с неисправной электроникой, т.к. это может привести к повышению оборотов. Неисправность электроники распознается по отсутствию плавного пуска, или невозможности регулировки оборотов.

Полирующая машина имеет двойное полупериодное электронное управление, со следующими функциями:

Плавный пуск и ограничение пускового электроточка

Такой пуск обеспечивает плавный, без рывков, запуск машины, и предотвращает воздействие колебаний в напряжении сети питания.

Регулировка скорости вращения шпинделя

Плавная регулировка скорости вращения шпинделя зависит от вида работ, выполняемых оператором. Показатели регулировки указаны в Таблице 1:

Таблица 1

Позиция	Скорость, min^{-1}		
	PM 1026CE	PM 1324CE	PM 1631CE
A	800	400	600
B	1100	700	1000
C	1400	1000	1400
D	1700	1300	1800
E	2000	1600	2200
F	2300	1900	2600
G	2600	2400	3100



ПРЕДОСТЕРЕЖЕНИЕ: Следует предварительно настроить подходящую скорость для выполнения операции с помощью потенциометра 5 согласно таблице 1. При выполнении операций с необходимой скоростью используйте подходящую рабочую насадку. При полировке не используйте скорость выше 1500 min^{-1} .

Стабилизация скорости вращения

Предварительно настроенные обороты постоянно стабилизируются электроникой машины, в целях предотвращения снижения скорости шпинделя при изменении размеров нагрузки.

Температурная защита

Во избежание перегрева электроинструмента (и перегорания двигателя), при длительной эксплуатации в режиме перегрузки предусмотрена температурная защита. При приближении критичной температуры, электроника отключает машину, которая переходит из рабочего в защитный режим работы. Для пуска в рабочем режиме необходимо выключить и вновь включить выключатель.

Обслуживание



ПРЕДОСТЕРЕЖЕНИЕ: Всегда выключайте электроинструмент и вынимайте штепсель из розетки перед тем, как приступить к любой проверке или обслуживанию.

ЗАМЕНА ЩЕТОК

Электроинструмент снабжен самовыключающимися щетками. В случае изнашивания, щетки следует одновременно заменить на новые оригинальные щетки в сервисе SPARKY (гарантийный и вне-гарантийный ремонт).

ОБЩАЯ ПРОВЕРКА

Регулярно проводите проверку всей крепежной - они должны быть крепко затянуты. В случае, если какой-либо винт откручен, его следует немедленно закрутить во избежание опасности.

В случае повреждения кабеля питания, его замену должен произвести изготовитель или его сервисный специалист, во избежание опасности.

УХОД

Для обеспечения безопасной работы всегда поддерживайте в чистоте и машину, и ее вентиляционные отверстия.

Регулярно проверяйте вентиляционные отверстия электродвигателя или переключателей на наличие пыли или чужеродных тел. Используйте мягкую щетку и/или струю воздуха для удалений пыли. Во избежание повреждения глаз, во время ухода за устройством пользуйтесь защитными очками.

Если корпус машины загрязнен, протрите его мягкой влажной салфеткой. Можно использовать слабый моющий препарат.



ПРЕДОСТЕРЕЖЕНИЕ: Не допускается употребление спирта, бензина и прочих растворителей. Никогда не пользуйтесь разъедающими препаратами для чистки пластмассовых частей



ПРЕДОСТЕРЕЖЕНИЕ: Не допускается попадание и контакт устройства с водой.

ВАЖНО! В целях обеспечения безопасности работы электроинструмента и его надежности, все ремонтные работы, обслуживание и регулировку устройства (включительно проверку и замену щеток) следует проводить в специализированных сервисах SPARKY, используя исключительно оригинальные запасные части.

Гарантия

Гарантийный срок электроинструментов SPARKY указан в гарантийной карте.

Неисправности, появившиеся в результате естественного изнашивания, перегрузки или неправильной эксплуатации, не входят в гарантийные обязательства.

Неисправности, появившиеся вследствие применения некачественных материалов и/или из-за производственных ошибок, устраняются без дополнительной оплаты путем замены или ремонта.

Рекламации дефектного электроинструмента SPARKY принимаются в том случае, если машина будет возвращена поставщику, или специализированному гарантийному сервису в не разобранном (первоначальном) состоянии.

Замечания

Внимательно прочтите всю инструкцию по эксплуатации перед тем, как приступить к использованию этого изделия.

Производитель сохраняет за собой право вносить в свои изделия улучшения и изменения, а также изменять спецификации без предупреждения.

Спецификации для разных стран могут различаться.

Таблица 2

Материал	Приложение	Инструмент / материал	Рекомендуемые обороты, min ⁻¹
Крашенные и лакированные поверхности Пластмасса Древесина Камень	Нанесение и втирание полирующей пасты Полировка до блеска	Фетровый диск, полирующая губка, чехол из овечьей шерсти, фетровый диск, тканевой диск	400-1100
Пластмасса Цветные металлы Камень	Полирование	Фетровый полирующий диск (фетровая шайба), тканевой диск	900-1300
Пластмасса Древесина Цветные металлы	Шлифование поверхности	Шлифовальный лист	1200-2000
Металл Древесина	Удаление краски	Шлифовальный лист	2000-2400
Металл Древесина	Удаление ржавчины Зачистка щеткой	Металлические щетки	2000-2400
Деревянные профили Оконные ставни	Вторичное шлифование и зачистка сухой рас-трескавшейся краски	Металлические щетки	2300-2900
Камень	Шлифовка	Абразивный лист	2500-3100

Зміст

Введення.....	95
Технічні дані.....	97
Загальні вказівки з безпеки при роботі з електроприладами.....	98
Додаткові вказівки по роботі з полірувальними машинами.....	100
Ознайомлення з електроінструментом.....	A/102
Вказівки щодо роботи.....	102
Обслуговування.....	105
Гарантія.....	106

РОЗПАКУВАННЯ

У відповідності з загальноприйнятими технологіями великосерійного виробництва, майже не існує ризику поломки Вашого електроінструменту, або відсутності будь-якої з його частин. Якщо ви все ж таки встановите пошкодження, не використовуйте електроінструмент до тих пір, поки дефектна частина не буде замінена, а несправність - усунена. Порушення цієї рекомендації може призвести до серйозного трудового інциденту.

ЗБІРКА

Полірувальна машина постачається в упакованому та зібраному вигляді, за винятком робочої насадки, витратних матеріалів та додаткових рукояток.

Введення

Придбаний Вами електроінструмент SPARKY перевершить Ваші очікування. Він зроблений у відповідності до високих стандартів якості SPARKY, що відповідають суворим вимогам споживача. Його легко обслуговувати і він безпечний при експлуатації, при правильному використанні цей електроінструмент буде служити Вам довгі роки.

ЗАСТЕРЕЖЕННЯ!



Прочитайте уважно і цілком інструкцію з експлуатації, перед використанням новоприданого електроінструменту SPARKY. Зверніть спеціальну увагу на параграфи, позначених словом "Застереження". У Вашого електроінструменту SPARKY багато якостей, які полегшують роботу. При розробці цього інструменту основну увагу було направлено на безпеку, експлуатаційні якості і надійність, які полегшують його обслуговування і експлуатацію.



Не викидайте електроінструменти разом з побутовими відходами!

Відходи від електричних виробів не варто збирати разом з побутовими відходами. Будь ласка, викидайте в місцях, призначених для цього. Зв'яжіться з місцевою владою або представником для консультації щодо повторної переробки.

ОХОРОНА НАВКОЛИШНЬОГО СЕРЕДОВИЩА



З урахуванням охорони навколишнього середовища електроінструмент, приналежності й упаковка повинно надати відповідній переробці для повторного використання сировини, що міститься в них. Для полегшення повторної переробки деталей, зроблених з штучних матеріалів, вони позначені відповідним чином.

ОПИС СИМВОЛІВ

Табличка з даними електродриля містить спеціальні символи. Вони є важливою інформацією про використання інструмента та його характеристики.



Подвійна ізоляція для додаткового захисту.



Приєднувальна різьба шпінделя М14.



Відповідає чинним європейським директивам.



Відповідає вимогам російських нормативних документів.



Відповідає вимогам українських нормативних документів.



Ознайомтеся з інструкцією з експлуатації.



Завжди надягайте захисні окуляри.


YYYY-Www Термін виробництва, де змінними символами є:

YYYY - рік випуску,

ww - черговий календарний тиждень.

PM Полірувальна машина.

Технічні дані

Модель	PM 1026CE	PM 1324CE	PM 1631CE
Споживана потужність	1010 W	1300 W	1600 W
Оберти на неробочому ході	800-2600 min ⁻¹	400-2400 min ⁻¹	600-3100 min ⁻¹
Робоча насадка	max.200 mm	max.200 mm	max.180 mm
З'єднувальна різьба шпинделя	M14	M14	M14
Довжина нарізу шпинделя	20 mm	20 mm	20 mm
Вага (ЕРТА процедура 01/2003)	3,4 kg	3,7 kg	3,7 kg
Клас захисту (EN 60745-1) 	II	II	II

ІНФОРМАЦІЯ ПРО ШУМ ТА ВІБРАЦІЇ

Показники заміряні згідно EN 60745

Рівень шуму, що виділяється

A-зважений рівень звукового тиску L _{рА}	91 dB(A)	91 dB(A)	92 dB(A)
Невизначеність K _{рА}	3,0 dB(A)	3,0 dB(A)	3,0 dB(A)
A-зважений рівень звукової потужності L _{вА}	102 dB(A)	102 dB(A)	103 dB(A)
Невизначеність K _{вА}	3,0 dB(A)	3,0 dB(A)	3,0 dB(A)

Використовуйте засоби для захисту від шуму!

Рівень вібрацій *

Загальний рівень вібрацій (сума векторів у трьох напрямках), визначена згідно EN 60745:

Шліфування наждачним папером			
Показник вібрацій a _{hDS}	5,1 m/s ²	4,9 m/s ²	4,9 m/s ²
Невизначеність K _{DS}	1,5 m/s ²	1,5 m/s ²	1,5 m/s ²
Полірування вовняним чохлам			
Показник вібрацій a _h	5,4 m/s ²	5,4 m/s ²	5,4 m/s ²
Невизначеність K	2,0 m/s ²	2,0 m/s ²	1,5 m/s ²

* - Рівень вібрацій визначений згідно п. 6.2.7 EN 60745-1.

Вказаний в інструкції рівень вібрацій вимірний відповідно до встановлених EN 60745 методик випробувань, і може використовуватися для порівняння електроінструментів. Рівень вібрацій може використовуватися для попередньої оцінки впливу.

Зазначений рівень вібрацій надано за умови використання інструменту за його прямим призначенням. У тих випадках, коли електроінструмент використовується для інших цілей, з іншими речами, рівень вібрацій може відрізнятись від зазначеного. У цих випадках рівень впливу може значно зрости в рамках загального періоду роботи.

Для точної оцінки впливу вібрацій, під час певного періоду роботи необхідно враховувати проміжки часу, в які електроінструмент вимкнено, або хоча і включений, але фактично не використовується. Це може істотно скоротити вплив вібрацій протягом всього періоду роботи.

Зберігайте електроінструмент і його речі в гарному стані. Під час роботи намагайтеся зберігати руки теплими - це допоможе зменшити шкідливий вплив при роботі з підвищеною вібрацією.

Пил матеріалів, наприклад - фарби з вмістом свинцю, деяких сортів деревини, мінералів і металу може бути шкідливим для здоров'я. Дотик до пилу і потрапляння пилу в дихальні шляхи може викликати алергічні реакції та / або захворювання дихальних шляхів оператора або персоналу, що знаходиться поблизу.

Певні види пилу, наприклад, з дуба та бука, вважаються канцерогенними, особливо, спільно з присадками для обробки деревини (хромат, засіб для захисту деревини, тощо). Матеріал з вмістом азбесту дозволяється обробляти тільки фахівцям.

- По можливості застосовуйте відсмоктування пилу.
- Для досягнення максимально високої ефективності збирання пилу при роботі з даним приладом, використовуйте пилосос, призначений для збору пилу з деревини або для пилу з деревини та / або мінерального пилу.
- Слідкуйте за хорошою вентиляцією.
- Рекомендується користуватися дихальною захисною маскою з фільтром класу P2.

Дотримуйтесь розпорядження щодо оброблюваних матеріалів, що діють у Вашій країні. Всі моделі обладнані вбудованим електронним пристроєм, що забезпечує повільне збільшення швидкості до номінальних обертів й обмеження струму у разі пуску до 16 А. Символ SE в позначенні моделі вказує на наявність вбудованого електронного пристрою, що забезпечує постійні оберти при навантаженні по всьому регульованому діапазону. Всі моделі мають вбудований електронний пристрій, що забезпечує термозахист машини при перевантаженнях.

Загальні вказівки з безпеки при роботі з електроприладами



ЗАСТЕРЕЖЕННЯ! Прочитайте всі попередження і вказівки з безпеки. Недодержання попереджень і вказівок з безпеки може призвести до ураження електричним струмом, пожежі та / або важкого поранення.

Збережіть всі попередження та вказівки для подальшого використання.

Термін "електроприлад" у всіх зазначених нижче попередженнях стосується вашого електроприладу, з живленням від мережі (з кабелем), та / або електроприладу з живленням від акумуляторної батареї (без кабелю).

1) Безпека робочого місця

- a) Утримайте робоче місце в чистоті і добре освітленим. Безлад і недостатнє освітлення є передумовою виникнення трудових інцидентів.
- b) Не працюйте з електроприладами у вибухонебезпечній атмосфері при наявності займих рідин, газів або пилу. Електроприлади створюють іскри, що можуть займати пил або пари.
- c) Тримайте дітей та сторонніх осіб на відстані, коли працюєте з електроприладом. Розсіювання уваги може призвести до втрати контролю з Вашого боку.

2) Електрична безпека

- a) Штепселі електроприладів повинні відповідати контактним гніздам. Ніколи не змінюйте штепсель у будь-який спосіб. Не використовуйте будь-які адаптерні штепселі для електроприладів із захисним заземленням. Використання оригінальних штепселів і

відповідних їм контактів зменшує ризик удару електричним струмом.

- b) Уникайте дотику тіла з землею або заземленими поверхнями, такими як труби, радіатори, кухонні плити та холодильники. Якщо ваше тіло заземлене, існує підвищений ризик ураження електричним струмом.
 - c) Не залишайте електроприлади під дощем або у вологому середовищі. Проникнення води в електроприлади підвищує ризик ураження електричним струмом.
 - d) Використовуйте кабель за призначенням. Ніколи не використовуйте кабель для перенесення електроприладу, натягування або відключення штепселя з контактного гнізда. Тримайте кабель далеко від тепла, олії, гострих кутів, що рухаються. Пошкоджені або заплутані кабелі підвищують ризик поразок електричним струмом.
 - e) Під час зовнішніх робіт використовуйте подовжувач, що підходить для цих цілей. Використання подовжувача, призначеного для зовнішніх робіт, зменшує небезпеку від ураження електричним струмом.
 - f) У випадку, якщо робота з електроприладом у вологому середовищі неминуча, використовуйте запобіжний пристрій, який робить на залишковому струмі для переривання подачі струму. Використання запобіжного пристрою зменшує ризик ураження електричним струмом.
- ### 3) Особиста безпека
- a) Будьте пильні, працюйте з підвищеною увагою і проявляйте розсудливість, коли працюєте з електроприладом. Не використовуйте електроприлад, коли ви стомлені, або під впливом наркотиків, алкоголю, медикаментів, тощо. Одна мить не уваги при роботі з електроприладом може призвести до серйозної виробничої травми.

- b) Використовуйте індивідуальні засоби захисту. Носіть завжди захисні окуляри. Індивідуальні засоби захисту, такі як маска проти пилу, неслизьке взуття, захисний шолом або засоби для захисту слуху, що використовуються в конкретних умовах, знижують ризик виникнення виробничих травм.
- c) Уникайте мимовільного пуску інструменту. Переконайтеся, що вимикач знаходиться в положенні “вимкнено” перед включенням в джерело живлення та / або акумуляторної батареї, перед тим, візьмете в руки або переносите. Носіння електроприладу з пальцем на вимикачі або підключення до джерела живлення електроінструменту з вимикачем у включеному положенні є передумовою для виробничої травми.
- d) Видаліть кожен гайковий ключ перед включенням електроприладу. Ключ для затягування або гайковий ключ, прикріплений до частини електроприладу, що обертається, може призвести до трудового інциденту.
- e) Не простягайтесь занадто. Підтримуйте правильне положення і рівновагу протягом всієї роботи. Це дозволить краще керувати електроприладом у несподіваних ситуаціях.
- f) Носіть придатний одяг. Не носіть широкого одягу або прикраси. Тримайте своє волосся, одяг і рукавички далеко від рухомих частин. Широкий одяг, біжутерія та довге волосся можуть потрапити в рухомі частини.
- g) Якщо електроприлад має пристосування для пилу, переконайтеся, що воно правильно встановлено і правильно використовується. Використання цих пристроїв може знизити пов'язані з пилом небезпеки.
- 4) Експлуатація і догляд за електроприладами
- a) Не перевантажуйте електроприлад. Використовуйте правильно вибраний електроприлад згідно з його призначенням. Правильно підібраний електроприлад працює краще і безпечніше для оголошеного режиму роботи, для якого він спроектований.
- b) Не використовуйте електроприлад у випадку, якщо вимикач не переходить у включену і виключену позицію. Кожен електроприлад, який не може управлятися за допомогою вимикача, є небезпечним і підлягає ремонту.
- c) Вимкніть штепсель від електромережі перед тим, як почати будь-які налаштування, перед заміною приладдя або перед тим, як прибрати електроприлад для зберігання. Ці залобіжні заходи знижують ризик мимовільного пуску електроприладу.
- d) Зберігайте невикористані електроприлади в місцях, недоступних для дітей, і не дозволяйте користуватися ним обслуговуючому персоналу, який не знайомий з електроприладом або інструкціями з експлуатації. Електроприлади є небезпечними в руках ненавчених споживачів.
- e) Перевіряйте електроприлади. Перевіряйте, чи працюють нормально і рухаються вільно рухомі частини, чи знаходяться в цілості і справності усі частини, а також перевіряйте всі інші обставини, які можуть негативно вплинути на роботу електроприладу. У разі ушкоджень електроприлад необхідно відремонтувати перед його подальшим використанням. Багато інцидентів заподіюються у випадку поганого обслуговування електроприладів.
- f) Підтримуйте різучі інструменти гострими і чистими. Правильно підтримуйте різучі інструменти з гострими кутами рідше блокуються і простіше управляються.
- g) Використовуйте електроприлад, приналежності (комплектуючі) і частини інструменту і т.д. відповідно до цих інструкцій та у засіб, передбачений для конкретного типу електроприладу, маючи на увазі робочі умови і роботу, яку необхідно виконувати. Використання електроприладу для роботи не за призначенням може призвести до небезпечної ситуації.
- 5) Технічне обслуговування
- a) Ремонтуйте ваш електроприлад у кваліфікованого фахівця з ремонту, при цьому використовуйте тільки оригінальні запасні частини. Це забезпечує безпеку електроприладу.

Додаткові вказівки по роботі з полірувальними машинами

Загальні вказівки з техніки безпеки під час шліфування наждачними та фібро дисками, чищенні дротяною щіткою, поліруванні фетровими дисками, поліруючими губками, чохлами з овечої вовни та вовняними дисками з фланцем.

a) Цей електроінструмент може використовуватись у якості машини з наждачним папером, з дротовими щітками та як полірувальна машина. Прочитайте уважно всі вказівки з безпеки, інструкції, ілюстрації і дані, які Ви отримали з електроінструментом. *Недотримання вказівок з безпеки може призвести до ураження електричним струмом, виникнення пожежі та/або отримання серйозних травм.*

b) Цей електроінструмент не підходить для шліфування і різання з абразивним диском. *Операції, для яких електроінструмент не призначений, можуть викликати небезпеку і призвести до травм.*

c) Не використовуйте приладдя, не дозволене і не рекомендоване виробником спеціально для даного електроінструмента. *Можливість кріплення приладдя до Вашого електроінструменту не гарантує безпечного використання.*

- У жодному разі не дозволяються встановлювати циркулярні диски або диски, призначені для кутошліфувальних інструментів.

- Використовуйте оснащення, призначене виключно для обробки даного матеріалу і що відповідає оптимальним оборотам обертання.

d) Допустима кількість обертів приладдя повинна бути не менше максимального числа обертів, зазначеного на електроінструменті. *Приладдя, що обертається зі швидкістю, що перевищує цю номінальну швидкість, може розбитися і розлетітися навколо.*

e) Зовнішній діаметр і товщина робочого інструмента повинні бути не менше зазначених розмірів Вашого електроінструменту. *Приладдя з невідповідними розмірами не може бути безпечним або контролюватися у достатній мірі.*

f) Шліфувальні диски, затягуючі фланці, еластичні диски або інше приладдя повинні точно сидіти на шпindelі Вашого електроінструменту. *Приладдя, що неточно сидить на шпindelі електроінструменту, обертається нерівномірно, сильно вібрає і може призвести до втрати контролю.*

g) Не використовуйте пошкоджене приладдя. Перед кожним використанням перевіряйте приладдя: шліфувальні диски - на щербини і тріщини, еластичні диски - на тріщини, розриви або сильний знос, дротяні щітки - на незакріплені або поламані дроти. У разі випадкового падіння електроінструменту або приладдя, перевірте інструмент на наявність пошкоджень або встановіть неушкоджене приладдя. Після перевірки й встановлення приладдя, Ви та особи, що знаходяться поблизу, мають зайняти місце за межами площини обертання приладдя і дати електроінструменту попрацювати на максимальних обертах на неробочому ході протягом однієї хвилини. Зазвичай цього часу достатньо для того, щоб пошкоджене приладдя зламалося.

h) Застосовуйте засоби індивідуального захисту. В залежності від конкретного випадку, користуйтеся захисним щитком для обличчя або захисними окулярами. У разі необхідності використовуйте протипиловий респіратор, засоби захисту слуху, захисні рукавиці або спеціальний халат, який затримує дрібні частинки від шліфувального приладдя або оброблюваної деталі. *Засоби для захисту очей повинні захищати їх від різних предметів, що летять під час виконання різних операцій. Протипиловий респіратор і газозахисні маски органів дихання повинні затримувати пил під час роботи. Тривалий вплив сильного шуму може призвести до втрати слуху.*

i) Слідкуйте за тим, щоб інші особи перебували на безпечній відстані від Вашої робочої ділянки. Кожна особа, що перебуває у межах робочої ділянки, повинна носити засоби індивідуального захисту. *Летючі осколки від оброблюваних деталей або від зламаного приладдя можуть відлетіти убік і заподіяти травму навіть за межами*

безпосередньої робочої ділянки.

- Фіксуйте оброблювану деталь у лещатах або іншим відповідним чином.
 - Не застосовуйте бічний натиск для гальмування обертання диска після відключення живлення.
 - Здійснюйте контакт робочої насадки з деталлю, що оброблюється, тільки у ввімкненому положенні.
- к) Тримайте шнур підключення живлення збоку від приладдя, що обертається. Якщо Ви втратите контроль над електроінструментом, то шнур може бути порізаний або захоплений частиною, що обертається, і Ваша кисть може потрапити під інструмент, що обертається.
- л) Ніколи не відпускайте електроінструмент із рук, поки приладдя повністю не припинить обертатися. Приладдя, що обертається, може зачепити оброблюваний матеріал, у результаті чого Ви втратите контроль над електроінструментом.
- м) Вимикайте електроінструмент під час транспортування. Ваш одяг може бути випадково захоплений приладдям, що може завдати Вам травму.
- н) Регулярно очищайте вентиляційні отвори електроінструменту. Вентилятор електродвигуна засмоктує пил у корпус, а надмірне скупчення металевого пилу може призвести до небезпеки від ураження електричним струмом.
- о) Не використовуйте електроінструмент поблизу легкозаймистих матеріалів. Іскри можуть призвести до займання цих матеріалів.
- р) Не застосовуйте приладдя, для роботи з яким необхідно використовувати охолоджуючі рідини. Застосування води або інших охолоджуючих рідин може призвести до ураження або удару електричним струмом.
- Інструмент призначений тільки для полірування всуху.
 - Електроінструмент слід використовувати тільки за призначенням. Будь-яке інше застосування, що відрізняється від зазначеного у цій інструкції, вважається неправильним застосуванням. Відповідальність за будь-яке пошкодження або поранення, викликане неправильним застосуванням, несе споживач, а не виробник.
 - Виробник не несе відповідальності

у разі внесення споживачем модифікацій в електроінструмент або за пошкодження, викликані такими модифікаціями.

- Під час роботи у пильному середовищі вентиляційні отвори машини слід підтримувати у чистоті. Якщо необхідно видалити пил, спочатку слід відключити електроживлення. Видаляти пил слід неметалевими предметами для чищення пилу, оберігаючи внутрішні деталі машини від пошкоджень. Електроінструмент буде перегріватися у разі порушення охолодження у зв'язку з пиловими вентиляційними отворами.

Інші вказівки з безпеки всіх операцій

Зворотний удар (відскік) і пов'язані з ним вказівки з безпеки

Зворотний удар - це раптова реакція, яка є наслідком заклинювання або блокування приладдя, наприклад шліфувального диска, еластичного диска, дротяної щітки і т.п. Заклинювання або блокування призводить до раптової зупинки обертання приладдя, яке зі свого боку виштовхує неконтрольований електроінструмент у сторону, протилежну напрямку обертання робочого інструмента у точці заклинювання.

Зворотний удар є наслідком неправильного використання та/або неправильної експлуатації або умов роботи з електроінструментом, і може бути попереджений за допомогою нижчеописаних заходів безпеки.

- а) Тримайте міцно електроінструмент, прийміть відповідну позу і поставте руки таким чином, щоб Ви змогли протидіяти силі зворотного удару. Завжди використовуйте додаткову рукоятку за її наявності, щоб якомога краще протидіяти і здійснювати контроль над силою відскоку або реактивним моментом під час запуску. Завдяки правильним заходам безпеки оператор може контролювати реактивний момент і відскік.
- б) Ваші руки ніколи не повинні знаходитись поблизу приладдя, що обертається. Приладдя може відскочити і потрапити на Ваші руки.
- в) Тримайтеся осторонь від ділянки, по якій електроінструмент може рухатися у разі зворотного удару. Відскік веде електроінструмент у напрямку, протилежному руху гнучкого диска або щітки

у місці блокування.

- d) Під час обробки кутів, гострих кромок та іншого, працюйте з підвищеною увагою. Не дозволяйте приладдю відскакувати або блокувати деталь. Під час обробки кутів і гострих кромок існує ймовірність заклинювання приладдя, що обертається, що може призвести до втрати контролю або відскоку.

Спеціальні вказівки з безпеки під час шліфування наждачним папером:

- a) Не застосовуйте шліфувальні листи з надмірно великими розмірами, дотримуйтеся вказівок виробника щодо розмірів наждачного паперу. Шліфувальний лист, який виступає за край еластичного диска, може розірватися і таким чином привести до блокування, розриву листа або відскоку.

Спеціальні вказівки з безпеки під час полірування:

- a) Не допускайте, щоб вільні частини від пілозбірника з вовни або закріплюючий шнур могли вільно обертатися. Приберіть у пілозбірник/мішечок для пілу! або затягніть вільні кінці закріплюючого шнура. Шнури для закріплення пілозбірника, що вільно звисають, можуть обмотати Ваші руки або зачепитися за деталь.

Спеціальні вказівки з безпеки під час роботи з дротяними щітками:

- a) Майте на увазі, що навіть під час нормальної роботи з дротяних щіток падає дріт. Не перевантажуйте дріт надмірним зусиллям притиснення. Шматки дроту, що відлітають, легко проникають через тонкий одяг та/або шкіру.
- b) Якщо під час роботи з дротяною щіткою рекомендується використання захисного кожуху, не допускайте зіткнення кожуха з дисковою (тарілчасною) або чашковою щіткою. Тарілчасні або чашкові дротяні щітки можуть збільшувати свій діаметр під впливом зусилля притиснення і відцентрових сил.

Ознайомлення з електроінструментом

Перед початком роботи, ознайомтеся з усіма оперативними особливостями електроінструменту й умовами техніки безпеки. Використовуйте електроінструмент і приладдя тільки за призначенням. Будь-яке інше застосування категорично заборонене.

1. Шпindelь
2. Кнопка блокування шпindelя
3. Кнопка стопора вимикача
4. Вимикач
5. Потенціометр регулювання обертів
6. Закрита додаткова рукоятка
7. Шайба
8. Болт
9. Еластичний диск на клейкій основі
17. Гайковий ключ SW 22

ПРИЛАДДЯ, ЩО МОЖЕ ВИКОРИСТОВУВАТИСЯ НА ЦЬОМУ ЕЛЕКТРОІНСТРУМЕНТІ

- 6b. Бічна додаткова рукоятка
- 9b. Еластичний диск з опорним стягуючим фланцем
10. Робочий інструмент з клейкою системою фіксації на еластичному диску (м'який проміжний диск, абразивний лист, губка, фетровий диск, чохол з овечої вовни)
11. Робочий інструмент з фланцем та Вбудованою гайкою (тканинний диск, губка, фетровий диск, щітка)
12. Запобіжник для додаткової рукоятки
13. Опорний фланець
14. Стягуючий фланець
15. Абразивний лист (наждак)
16. Чохол з овечої вовни
18. Дворогий ключ

Вказівки щодо роботи

Ці електроінструменти під'єднуються тільки до однофазної непостійної напруги. Мають подвійну ізоляцію згідно EN 60745-1 і IEC 60745-1 і можуть під'єднуватися до контактів без захисних клем. Радіоперешкоди відповідають Директиві Європейського парламенту та Ради 2004/108/ЄС щодо електромагнітної сумісності.

Цей електроінструмент призначений для грубого і чистового шліфування насухо, очищення, полірування і втирання по всім видам поверхонь при оптимальній частоті обертання.

ДО ПОЧАТКУ РОБІТ

- Перевірте відповідність напруги електромережі щодо позначених на таблиці технічним даним електроінструменту.
- Перевірте положення вимикача. Електроінструмент слід підключати та відключати від мережі живлення тільки якщо вимикач вимкнений. Якщо вставляєте штепсель у розетку, а вимикач перебуває в увімкненому положенні, електроінструмент негайно почне працювати, що може привести до поранення.
- Переконайтеся у справності кабелю живлення і штепселя. Якщо кабель пошкоджений, для уникнення можливих ризиків його заміну здійснює тільки виробник або його сервісний фахівець.



ЗАСТЕРЕЖЕННЯ: Завжди відключайте електроінструмент та виймайте штепсель із розетки перед будь-яким налаштуванням, обслуговуванням або підтриманням роботи, а також у разі відсутності електричної напруги.

- Якщо зона робіт віддалена від джерела живлення, використовуйте найкоротший подовжувач із відповідним перерізом.
- Перевірте правильність і надійність монтажу додаткової рукоятки.

ПУСК - ЗУПИНКА

Полірувальна машина оснащена запобіжником проти випадкового пуску.

Короткочасний пуск:

Пуск: : Натисніть додаткову кнопку 3 (блокування) вимикача, після чого - головний важіль вимикача 4.

Зупинка: Вивільнити вимикач 4.

Тривала робота:

Пуск: : Запустіть машину та натисніть кнопку 3, звільніть важіль вимикача 4.

Зупинка: Натиснути на вимикач 4 один раз і відразу ж відпустити.

МОНТАЖ І КОМПЛЕКТАЦІЯ РОБОЧИХ НАСАДОК

До стандартної комплектації машини входять: еластичний диск з гайкою для безпосереднього прикручування до шпінделя з клейкою системою захвату робочої насадки до диску.

Можлива інша комплектація.

Під час монтажу та демонтажу полірувальних, шліфувальних насадок (приладдя) шляхом закручування/розкручування шпінделя необхідно зафіксувати шпіндель 1 на полірувальній машині, натиснувши кнопку 2, розміщену на редукторній коробці.



ЗАСТЕРЕЖЕННЯ: Забороняється натискати кнопку 2 під час обертання шпінделя!

МОНТАЖ ДОДАТКОВОЇ РУКОЯТКИ

Додаткову рукоятку 6 або 6b необхідно монтувати під час виконання будь-яких робіт з електроінструментом.

Додаткова рукоятка 6 прикріплюється до редуктора за допомогою двох болтів 8 та шайб 7 під головками болтів за допомогою гайкового ключа SW22. Налаштування рукоятки до машини здійснюється в залежності від того, як це зручно оператору.

Додаткову рукоятку 6b можна закріпити за вибором з правої або з лівої сторони, або зверху редукторної коробки, прикрутивши її безпосередньо до редукторної коробки електроінструменту.

У разі необхідності разом с додатковою рукояткою 6b можна використовувати запобіжник 12.

ЕЛАСТИЧНИЙ ДИСК

Диск 9 закручується безпосередньо до шпінделя. До диску можуть прикручуватися робочі насадки 10, оснащені клейкою системою: Наждак, полірувальна губка, фетровий диск, чохол з овечої шерсті та інше.

Для демонтажу диска у разі необхідності використовуйте гайковий ключ.

Під час використання еластичного диска 9b з затягуючим фланцем, необхідно монтувати до шпінделя опорний фланець 13, диск 9b та наждак 15. Закрутіть стягуючий фланець 14, затягніть його ключем 18.

ФІКСУВАННЯ РОБОЧОЇ НАСАДКИ НА ЕЛАСТИЧНОМУ ДИСКУ З КЛЕЙКОЮ СИСТЕМОЮ (VELCRO)

Робоча насадка, що встановлюється на диск, повинна мати \varnothing min 148. Вона повинна щільно лягти на диск, під час монтажу слід забезпечити спів падіння вісей насадки та диску. Неправильно змонтовані робочі насадки викликають ривки та вібрації.



ЗАСТЕРЕЖЕННЯ: Використовуйте лише робочі насадки зі справною системою захвату. Після зміни диска, увімкніть машину для роботи на холостому ходу мінімум на 30 секунд.



ЗАСТЕРЕЖЕННЯ: Вібраючи або нерівномірно обертові диски слід негайно замінити.

МЕТАЛІЧНА ЩІТКА

Для роботи з електроінструментом можна використовувати дискову металічну щітку з різьбою M14.

Прикрутіть металічну щітку до шпинделя 1, затягніть ключем.

ХОХОЛ З ОВЕЧОЇ ВОВНИ

Чохол з овечої вовни одягніть на еластичний диск 9b, рівномірно розподіливши його по всій поверхні.

Чохол фіксується на полірувальному диску за допомогою шнура.

Кінці шнура необхідно сховати всередину між чохлам та поліруючим диском.

ФЕТРОВА ПОЛІРУВАЛЬНА ШАЙБА ТА ПОЛІРУВАЛЬНА ГУБКА З ФЛАНЦЕМ

Прикрутіть полірувальну шайбу або губку з фланцем до шпинделя 1.

ТКАНИННА ШАЙБА (ДЛЯ ПРИТИРАННЯ)

Тканинна шайба прикручується за допомогою носія, що складається зі шпильки з отвором та різьбленням, опорного фланця. Тканинна шайба монтується (прикручується) до шпинделя.

ЕЛЕКТРОННЕ УПРАВЛІННЯ ЕЛЕКТРОІНСТРУМЕНТУ



ЗАСТЕРЕЖЕННЯ: Не використовуйте електроінструмент з несправною електронікою, оскільки це може призвести до підвищення обертів. Несправність електроніки визначається відсутністю плавного пуску або неможливістю регулювання обертів.

Полірувальна машина має подвійне напівріadne електронне управління з наступними функціями:

Плавний пуск й обмеження пускового струму:

Такий пуск забезпечує плавний, без ривків запуск машини та протидіє впливу коливань у напрузі електромережі.

Стабілізація швидкості обертання шпинделя:

Плавне регулювання швидкості обертання шпинделя залежить від виду робіт, які виконує оператор. Показники регулювання вказані у Таблиці 1:

Таблиця 1

Позиція	Швидкість, min ⁻¹		
	PM 1026CE	PM 1324CE	PM 1631CE
A	800	400	600
B	1100	700	1000
C	1400	1000	1400
D	1700	1300	1800
E	2000	1600	2200
F	2300	1900	2600
G	2600	2400	3100



ЗАСТЕРЕЖЕННЯ: Необхідно попередньо налаштувати швидкість для виконання операції за допомогою потенціометра 5 згідно з таблицею 1.

Під час виконання операцій з необхідною швидкістю використовуйте відповідну робочу насадку. Під час полірування не використовуйте швидкість вище 1500 min⁻¹.

Стабілізація швидкості обертання:

Попередньо налаштовані оберти постійно стабілізуються електронікою машини з метою попередження зниження швидкості шпинделя при зміні розмірів навантаження.

Температурний захист

З метою запобігання перегріву електроінструмента (та перегорання двигуна), під час тривалої експлуатації у режимі перевантаження передбачений температурний захист. При наближенні критичної точки температури, електроніка вимикає машину, яка переходить з робочого у захисний режим роботи.

Для відновлення робочого режиму необхідно вимкнути, і знову увімкнути вимикач.

Обслуговування



ЗАСТЕРЕЖЕННЯ: Завжди вимикайте електроінструмент та виймайте штепсель із розетки перед тим, як розпочати будь-яку перевірку або обслуговування.

ЗАМІНА ЩІТОК

Електроінструмент оснащений щітками, що вимикаються самостійно. У разі зношування, щітки слід одночасно замінити на нові оригінальні щітки у сервісі SPARKY (гарантійний та поза-гарантійний ремонт).

ЗАГАЛЬНА ПЕРЕВІРКА

Регулярно здійснюйте перевірку всіх кріплень - вони повинні бути міцно затягнуті. У випадку, якщо будь-який гвинт відкручений, його слід негайно закрутити щоб уникнути небезпеки. У разі пошкодження кабелю живлення, його заміну повинен здійснити виробник або його сервісний фахівець, щоб уникнути небезпеки.

ДОГЛЯД

Для забезпечення безпечної роботи завжди підтримуйте у чистоті і машину, й її вентиляційні отвори.

Регулярно перевіряйте вентиляційні отвори електродвигуна або перемикачів на наявність пилу або сторонніх тіл. Використовуйте м'яку щітку та/або струмінь повітря для видалення пилу. Щоб уникнути пошкодження очей, під час догляду за пристроєм користуйтеся захисними окулярами.

Якщо корпус машини забруднений, протріть його м'якою вологою серветкою. Можна використовувати слабкий миючий засіб.



ЗАСТЕРЕЖЕННЯ: Не допускається застосування спирту, бензину та інших розчинників. Ніколи не користуйтеся їдкими препаратами для чищення пластмасових частин.



ЗАСТЕРЕЖЕННЯ: Не допускається попадання і контакт пристрою з водою.

ВАЖЛИВО! З метою забезпечення безпеки роботи електроінструменту і його надійності, всі ремонтні роботи, обслуговування і регулювання пристрою (враховуючи перевірку і заміну щіток) слід проводити у спеціалізованих сервісах SPARKY, використовуючи виключно оригінальні запасні частини.

Гарантія

Гарантійний термін електроприладів SPARKY вказаний в гарантійній карті.

Несправності, що з'явилися в результаті природного зношування, перевантаження або неправильного користування, не входять до гарантійних зобов'язань.

Несправності, що з'явилися внаслідок застосування неякісних матеріалів та / або через виробничі помилки, усуваються без додаткової оплати шляхом заміни або ремонту.

Рекламації дефектного електроприладу SPARKY приймаються у тому випадку, якщо прилад буде повернуто постачальнику, або спеціалізованому гарантійного сервісу в не розібраному (початковому) стані.

Примітки

Уважно прочитайте всю інструкцію з експлуатації, перед тим, як приступити до використання виробу.

Виробник зберігає за собою право вносити у свої вироби поліпшення і зміни, а також змінювати специфікації без попередження.

Специфікації для різних країн можуть відрізнятися.

Таблиця 2

Матеріал	Застосування	Інструмент/ матеріал	Рекомендовані оберти, min ⁻¹
Фарбовані лаковані поверхні Пластмаса Деревина Камінь	Нанесення та втирання полірувальної пасти Полірування до блиску	Фетровий диск, полірувальна губка, чохол з овечої вовни, фетровий диск, тканинний диск	400-1100
Пластмаса Кольорові метали Камінь	Полірування	Фетровий полірувальний диск (фетрова шайба), тканинний диск	900-1300
Пластмаса Деревина Кольорові метали	Шліфування поверхонь	Шліфувальний лист	1200-2000
Метал Деревина	Усунення фарби	Шліфувальний лист	2000-2400
Метал Деревина	Усунення іржі Зачистка щіткою	Металеві щітки	2000-2400
Дерев'яні профілі Віконні рами	Прешлифоване і чектане на суха напукана боя	Металеві щітки	2300-2900
Камінь	Шліфування	Абразивний лист	2500-3100

Съдържание

Въведение	107
Технически данни	109
Общи указания за безопасност при работа с електроинструменти	110
Допълнителни указания за безопасност при работа с полировъчни машини.....	112
Запознаване с електроинструмента	A/114
Указания за работа	115
Поддръжка	117
Гаранция	118

РАЗОПАКОВАНЕ

В съответствие с общоприетите технологии на едросерийно производство е малко вероятно Вашият електроинструмент да бъде неизправен или някоя от частите му да липсва. Ако забележите, че нещо не е наред, не работете с електроинструмента, докато повредената част не бъде заменена или неизправността не бъде отстранена. Неспазването на тази препоръка може да доведе до сериозна трудова злополука.

СГЛОБЯВАНЕ

Полировъчната машина се доставя опакована и сглобена, с изключение на работния инструмент, консумативите и допълнителните ръкохватки.

Въведение

Новопридобитият от Вас електроинструмент SPARKY ще надхвърли Вашите очаквания. Той е произведен в съответствие с високите стандарти на качеството на SPARKY, отговарящи на строгите изисквания на потребителя. Лесен за обслужване и безопасен при експлоатация, при правилна употреба този електроинструмент ще Ви служи надеждно дълги години.

ПРЕДУПРЕЖДЕНИЕ!



Внимателно прочетете цялата инструкция за използване преди да използвате новопридобития си електроинструмент SPARKY. Обърнете специално внимание на текстовете, които започват с думата “Предупреждение”. Вашият електроинструмент SPARKY притежава много качества, които ще улеснят Вашата работа. При разработката на този електроинструмент най-голямо внимание е обърнато на безопасността, експлоатационните качества и надеждността, които го правят лесен за поддръжка и експлоатация.



Не изхвърляйте електроинструменти заедно с битовите отпадъци!

Отпадъците от електрически изделия не трябва да се събират заедно с битовите отпадъци. Моля, рециклирайте на местата, предназначени за това. Свържете се с местните власти или представител за консултация относно рециклирането.

ОПАЗВАНЕ НА ОКОЛНАТА СРЕДА



С оглед опазване на околната среда електроинструментът, принадлежностите и опаковката трябва да бъдат подложени на подходяща преработка за повторно използване на съдържащите се в тях суровини.

За облекчаване на рециклирането детайлите, произведени от изкуствени материали, са обозначени по съответния начин.

ОПИСАНИЕ НА СИМВОЛИТЕ

Върху табелката с данни на електроинструмента са означени специални символи. Те предоставят важна информация за изделието или инструкциите за неговото ползване.



Двойна изолация за допълнителна защита.



Присъединителна резба на вретеното M14.



Съответства на приложимите европейски директиви.



Съответствие с изискванията на руските нормативни документи.



Съответства на изискванията на украинските нормативни документи.



Запознайте се с инструкцията за използване.



Винаги носете защитни очила.

YYYY-Www

Период на производство, където променливи символи са:


YYYY - година на производство,

ww - поредна календарна седмица.

PM

Полировъчна машина.

Технически данни

Модел	PM 1026CE	PM 1324CE	PM 1631CE
Консумирана мощност	1010 W	1300 W	1600 W
Обороти на празен ход	800-2600 min ⁻¹	400-2400 min ⁻¹	600-3100 min ⁻¹
Работен инструмент	max.200 mm	max.220 mm	max.180 mm
Присъединителна резба на вретеното	M14	M14	M14
Дължина на резбата на вретеното	20 mm	20 mm	20 mm
Тегло (EPTA процедура 01/2003)	3,4 kg	3,7 kg	3,7 kg
Клас на защита (EN 60745-1) 	II	II	II

ИНФОРМАЦИЯ ЗА ШУМ И ВИБРАЦИИ

Стойностите са измерени съгласно EN 60745.

Излъчване на шум

A-претеглено ниво на звуково налягане L _{рА}	91 dB(A)	91 dB(A)	92 dB(A)
Неопределеност K _{рА}	3,0 dB(A)	3,0 dB(A)	3,0 dB(A)
A-претеглено ниво на звукова мощност L _{вА}	102 dB(A)	102 dB(A)	103 dB(A)
Неопределеност K _{вА}	3,0 dB(A)	3,0 dB(A)	3,0 dB(A)

Използвайте средства за защита от шума!

Излъчване на вибрации *

Обща стойност на вибрациите (векторна сума по трите оси), определена съгласно EN 60745:

Шлифване на метална повърхност с шкурка			
Стойност на излъчените вибрации a _{hDS}	5,1 m/s ²	4,9 m/s ²	4,9 m/s ²
Неопределеност K _{DS}	1,5 m/s ²	1,5 m/s ²	1,5 m/s ²
Полiranje на боядисана повърхност с филцова шайба			
Стойност на излъчените вибрации a _h	5,4 m/s ²	5,4 m/s ²	5,4 m/s ²
Неопределеност K	2,0 m/s ²	2,0 m/s ²	1,5 m/s ²

* Вибрациите са определени съгласно т. 6.2.7 на EN 60745-1.

Посоченото в тази инструкция ниво на вибрации е измерено в съответствие с методиката за изпитване, указана в EN 60745 и може да се използва за сравняване на електроинструменти. Нивото на вибрации може да се използва за предварителна оценка на степента на въздействие. Декларираното ниво на вибрации се отнася за основното предназначение на електроинструмента. В случаите, при които електроинструментът се използва за друго предназначение, с други принадлежности или ако електроинструментът не се поддържа добре, нивото на вибрации може да различава от посоченото. В тези случаи нивото на въздействие може значително да нарасне в границите на общия период на работа.

При оценката на нивото на въздействие на вибрации трябва също да се отчита времето, през което електроинструментът е изключен или е включен, но не се използва. Това може значително да понижи нивото на въздействие в границите на общия период на работа.

Поддържайте електроинструмента и принадлежностите в добро състояние. Пазете ръцете си топли по време на работа - това ще намали вредното въздействие при работа с повишени вибрации.

При други операции, например почистване с телени четки, излъчените вибрации могат да имат други стойности.

Прахът, отделян при обработването на материали като оловосъдържащи бои, някои видове дървесина, минерали и метали, може да бъде опасен за здравето. Допирът или вдишването на праха може да предизвика алергични реакции и/или заболявания на дихателните пътища на оператора или на намиращи се в близост лица.

Някои видове прах, например от дъб или бук, се считат за канцерогенни, особено в комбинация с добавки за обработка на дървесина (хромат, консерванти). Материал, който съдържа азбест, трябва да се обработва само от специалисти.

- Когато това е възможно, използвайте прахоотвеждане.
- Осигурете добра вентилация на работното място.
- Препоръчва се използването на защитна маска за прах с филтър клас P2.

Спазвайте действащите във вашата страна разпоредби за обработване на съответните материали.

Всички модели са снабдени с вградено електронно устройство, осигуряващо плавно развъртане до номиналните обороти и ограничаване на пусковия ток до 16 А.

Символът SE в типовото означение на машината указва наличие на вградено електронно устройство, осигуряващо постоянни оборотите при натоварване в целия регулируем диапазон.

Всички модели имат вградено електронно устройство, осигуряващо температурна защита на машината при претоварване.

Общи указания за безопасност при работа с електроинструменти



ПРЕДУПРЕЖДЕНИЕ! Четете всички предупреждения и указания за безопасност. Неспазването на предупрежденията и указанията за безопасност може да предизвика поражение от електрически ток, пожар и/или сериозно нараняване.

Запазете всички предупреждения и указания за бъдещо ползване.

Терминът “електроинструмент” във всички описани по-долу предупреждения се отнася до вашия електроинструмент, хранен от мрежата (с шнур) и/или електроинструмент, хранен от акумулаторна батерия (без шнур).

1) Безопасност на работното място

- Поддържайте работното място чисто и добре осветено. Безпорядъкът и недостатъчното осветление са предпоставка за трудови злополуки.
- Не работете с електроинструменти в експлозивни атмосфери при наличие на запалими течности, газове или прах. Електроинструментите образуват искри, които могат да възпламенят праха или парите.
- Дръжте децата и страничните лица на разстояние, когато работите с електроинструмент. Разсейването може да доведе до загуба на контрол от Ваша страна.

2) Електрическа безопасност

- Щепселите на електроинструментите трябва да съответстват на контактите. Никога не променяйте щепсела по ка-

къвто и да било начин. Не използвайте каквито и да са адаптерни щепсели за електроинструменти със защитно заземяване. Употребата на непроменени щепсели и съответстващите им контакти намалява риска за поражение от електрически ток.

- Избягвайте допир на тялото до земя или до заземени повърхности, такива като тръби, радиатори, кухненски печки и хладилници. Ако тялото ви е заземено, съществува повишен риск от поражение от електрически ток.
- Не излагайте електроинструментите на дъжд или във влажна среда. Проникването на вода в електроинструмента повишава риска от поражение от електрически ток.
- Използвайте шнура по предназначение. Никога не използвайте шнура за носене на електроинструмента, опъване или изваждане на щепсела от контактното гнездо. Дръжте шнура далече от топлина, масло, остри ръбове или движещи се части. Увредени или оплетени шнурове повишават риска за поражение от електрически ток.
- При работа с електроинструмента на открито, използвайте удължител, подходящ за работа на открито. Използването на удължител, подходящ за работа на открито, намалява риска от поражение от електрически ток.
- Ако работата с електроинструмента във влажна среда е неизбежна, използвайте предпазно устройство, задействано от остатъчен ток, за прекъсване на храненето. Използването на предпазно устройство намалява риска от поражение от електрически ток.

3) Лична безопасност

- Бъдете бдителни, работете с повишено внимание и проявявайте благоразумие, когато работите с електроинструмент. Не използвайте

електроинструмента, когато сте уморени или под влияние на наркотици, алкохол или медикаменти. Момент на невнимание при работа с електроинструмент може да предизвика сериозна трудова злополука.

- b) Използвайте лични предпазни средства. Носете винаги средства за защита на очите. Лични предпазни средства, като маска против прах, неплъзгащи се безопасни обувки, защитен шлем или средства за защита на слуха, използвани при конкретните условия, намаляват риска от трудови злополуки.
 - c) Избягвайте неволно пускане. Убедете се, че прекъсвачът е в изключено положение преди включване към източник на хранване и/или акумулаторна батерия, преди да го вземете или пренасяте. Носенето на електроинструмент с пръст върху прекъсвача или свързаното към източник на хранване на електроинструмент с прекъсвач във включено положение е предпоставка за трудова злополука.
 - d) Отстранете всеки ключ за затягане или гаечен ключ преди включване на електроинструмента. Ключ за затягане или гаечен ключ, прикрепен към въртяща се част на електроинструмента, може да предизвика трудова злополука.
 - e) Не се пресягайте. Поддържайте правилен строеж и равновесие през цялото време. Това позволява по-добро управление на електроинструмента при неочаквани ситуации.
 - f) Носете подходящо работно облекло. Не носете широки дрехи или бижута. Дръжте косите си, дрехите и ръкавиците далеч от движещи се части. Широки дрехи, бижута или дълги коси могат да се захванат от движещи се части.
 - g) Ако електроинструментът е снабден с приспособления за засмукване и улавяне на прах, убедете се, че те са свързани и правилно използвани. Използването на тези устройства може да намали свързаните с прах опасности.
- 4) Използване и грижи за електроинструментите
- a) Не претоварвайте електроинструмента. Използвайте правилно избрания

електроинструмент според приложението. Правилно избраният електроинструмент работи по-добре и по-безопасно при обявения режим на работа, за който е проектиран.

- b) Не използвайте електроинструмента, ако прекъсвачът не превключва във включено и изключено положение. Всеки електроинструмент, който не може да бъде управляван с прекъсвач, е опасен и трябва да бъде ремонтиран.
- c) Разединете щепсела от захранващата мрежа преди да извършите всякакви настройки, преди замяна на принадлежност или преди да приберете електроинструмента за съхранение. Тези предпазни мерки за безопасност намаляват риска от неволно пускане на електроинструмента.
- d) Съхранявайте неизползваните електроинструменти на места, недостъпни за деца и не позволявайте на обслужващи лица, които не познават електроинструмента или не са запознати с тези инструкции, да работят с него. Електроинструментите са опасни в ръцете на необучени потребители.
- e) Поддържайте електроинструментите. Проверявайте движещите се части дали функционират нормално и се движат свободно, целостта и изправността на частите, както и за всякакво друго обстоятелство, което може неблагоприятно да повлияе на работата на електроинструмента. Ако е повреден, електроинструментът трябва да бъде ремонтиран преди по-нататъшно използване. Много злополуки са причинени от лошо поддържани електроинструменти.
- f) Поддържайте режещите инструменти остри и чисти. Правилно поддържаните режещи инструменти с остри режещи ръбове е по-малко вероятно да блокират и са по-лесни за управление.
- g) Използвайте електроинструмента, принадлежностите и частите на инструмента и т.н. в съответствие с тези инструкции и по начин, предвиден за конкретния тип електроинструмент, като вземате предвид работните условия и работата, която трябва да се извършва. Използването на електроинструмента за работа, различна от тази, за която е проектиран, може да предизвика опасна ситуация.

5) Обслужване

- а) Поддържайте вашия електроинструмент при квалифициран специалист по ремонта, като използвате само оригиналните резервни части. Това осигурява запазването на безопасността на електроинструмента.

Допълнителни указания при работа с полировъчни машини

Общи указания за безопасност при шлифование с шкурка и фибро-дискове, почистване с телена четка, полиране с филцови дискове, полировъчни гъби, калъфи от агнешка вълна и филцови дискове с фланец:

- а) Този електроинструмент може да се използва като полировъчна машина и машина за почистване с телена четка. Прочетете всички указания за безопасност, инструкции, изображения и данни, които сте получили с машината. *Неспазването на указанията за безопасност може да предизвика поражение от електрически ток, пожар и/или сериозно нараняване.*
- б) Този електроинструмент не е подходящ за шлифование и рязане с абразивен диск. *Операции, за които електроинструментът не е предназначен, могат да създадат опасност и да предизвикат нараняване.*
- в) Не използвайте принадлежности, които не са разрешени и препоръчани от производителя специално за този електроинструмент. *Фактът че можете да закрепите принадлежността на Вашия електроинструмент, не гарантира безопасната му употреба.*
- В никакъв случай не монтирайте циркулярни дискове или дискове, предназначени за ъглошлифовъчни машини.
 - Да се използват само принадлежности, отговарящи изключително на обработвания материал и скоростта на въртене.
- д) Номиналните обороти на принадлежността трябва да са най-малко

равни на посочените върху електроинструмента максимални обороти. *Принадлежности, които се въртят със скорост, по-висока от тяхната номинална скорост, могат да се счупят и парчетата им да се разлетят.*

- е) Върхният диаметър и дебелината на работния инструмент трябва да бъдат в границите на указаните размери на Вашия електроинструмент. *Принадлежности с неподходящи размери не могат да бъдат защитени или управлявани добре.*
- ф) Затягащи фланци, еластични дискове или други принадлежности трябва да пасват точно на вретеното на електроинструмента. *Принадлежности, които не пасват точно на вретеното на електроинструмента, се въртят неравномерно, вибрират прекомерно и могат да предизвикат зауба на контрол.*
- г) Не използвайте повредени принадлежности. Преди всяка употреба проверявайте принадлежностите - еластичните дискове за пукнатини, разкъсване или силно износване, телените четки за разхлабени или начупени нишки. Ако изтървете електроинструмента или принадлежността, проверете за повреда или монтирайте неповредена принадлежност. След като принадлежността е проверена и монтирана, застанете заедно със страничните лица извън равнината на въртене на принадлежността и оставете електроинструмента да работи с максимални обороти на празен ход в продължение на една минута. *Обикновено това време е достатъчно за повредените принадлежности да се счупят.*
- h) Носете лични предпазни средства. В зависимост от конкретния случай, използвайте предпазен щит за лицето или защитни очила. Ако е необходимо, използвайте прахозащитна маска, средства за защита за слуха, защитни ръкавици или специална престилка, която да задържа малките частици от полировъчната или почистващата принадлежност или обработвания детайл. *Средствата за защита на очите трябва да предпазват от възникналите при различните операции хвърчащи отломки. Прахозащитните и газоза-*

щитните маски трябва да филтрират отделяните при работа частици. Продължителното излагане на силен шум може да предизвика загуба на слуха.

- i) **Дръжте страничните лица на безопасното разстояние от зоната на работа.** Всяко лице, намиращо се в зоната на работа, трябва да носи лични предпазни средства. Възможно е хвърчащи отломки от обработвания детайл или от счупена принадлежност да предизвикат нараняване и извън границите на непосредствената зона на работа.
- **Фиксирайте обработвания детайл в стиска или по друг подходящ начин.**
- **Не упражнявайте страничен натиск за спиране въртенето на диска след изключване на машината.**
- **Машината да се води срещу детайла само във включено състояние.**
- к) **Дръжте захранващия кабел извън обсега на действие на въртящата се принадлежност.** Ако изгубите контрол над електроинструмента, захранващият кабел може да бъде срязан или да увлече дланта или ръката Ви в обсега на въртящия се инструмент.
- l) **Никога не оставяйте електроинструмента преди принадлежността да е напълно спряла да се върти.** Въртящата се принадлежност може да захване обработвания материал и да загубите контрол над електроинструмента.
- м) **Не оставяйте електроинструмента да работи, докато го носите.** Случаен допир на въртящата се принадлежност до облеклото Ви може го захване и тя да нарани тялото Ви.
- п) **Почиствайте редовно вентилационните отвори на електроинструмента.** Вентилаторът на електродвигателя засмуква прах в корпуса, а прекомерното натрупване на метален прах може да предизвика опасност за поражение от електрически ток.
- o) **Не използвайте електроинструмента в близост до горими материали.** Искрите могат да възпламенят тези материали.
- р) **Не използвайте принадлежности, работата с които изисква течни охлаждащи средства.** Използването на вода или други течни охлаждащи средства може да доведе до поражение или удар от електрически ток.

- **Машината може да се ползва само при сухо полиране.**
- **Електроинструментът трябва да се използва само по предназначение.** Всякаква друга употреба, различаваща се от описаната в тази инструкция, ще се счита за неправилна употреба. *Отговорността за всякаква повреда или нараняване, произтичащи от неправилна употреба, ще се носи от потребителя, а не от производителя.*
- **Производителят не носи отговорност за извършени от потребителя промени върху електроинструмента или за повреди, предизвикани от подобни промени.**
- **При работа в запрашена среда вентилационните отвори на машината трябва да се поддържат чисти.** Ако се наложи да бъдат почиствани от прах, първо изключете захранването и използвайте нематални предмети за почистването на праха, като внимавате да не повредите вътрешните детайли на машината. *Електроинструментът ще прегрее при намалено охлаждане в следствие на запрашените вентилационни отвори.*
- **Електроинструментът е предназначен за работа в помещения и зони с нормална пожарна опасност съгласно "Наредба №2. Противопожарни строително-технически норми."** Не се допуска използването във взривоопасна и пожароопасна среда, при температура на околния въздух над 40°C, в особено влажна среда, при наличие на валежи и в химически активна среда.

Други указания за безопасност за всички операции

Отскок (обратен удар) и свързаните с него указания за безопасност

Отскок е внезапната реакция вследствие на заклинване или блокиране на принадлежност, например еластичен диск, телена четка и т.н. Заклинването или блокирането води до внезапно спиране на въртенето на принадлежността, което от своя страна изтласква неконтролируемия електроинструмент в посока обратна на посоката на въртене на работния инструмент в точката на заклинване. Отскокът е резултат от неправилна употреба и/или неправилна експлоатация или условия

на работа с електроинструмента и може да се предотврати чрез описаните по-долу подходящи предпазни мерки.

- a) Дръжте здраво електроинструмента, заемете подходяща стойка и поставете ръцете си така, че да можете да овладеете силата на отскока. Винаги използвайте допълнителната ръкохватка, ако електроинструментът е снабден с такава, за да имате възможно най-голям контрол над силата на отскока или реактивния момент при пускане. *Чрез подходящи предпазни мерки операторът може да овладее реактивния момент и отскока.*
- b) Никога не поставяйте ръцете си в близост до въртящата се принадлежност. *Принадлешността може да отскочи върху ръката Ви.*
- c) Не заставайте в областта, в която електроинструментът би се придвижил при отскок. *Отскокът задвижва електроинструмента в посока, противоположна на движението на диска или четката, в мястото на блокиране.*
- d) Когато обработвате ъгли, остри ръбове и др., работете с повишено внимание. Не позволявайте принадлежността да отскача или да блокира в детайла. *При обработката на ъгли и остри ръбове има вероятност въртящата се принадлежност да се заклини, с което да предизвика загуба на контрол или отскок.*

Специални указания за безопасност при полиране:

- a) Не допускайте разхлабени части на калъфа от вълна или на закрепващия шнур да се въртят свободно. Подпъхнете в калъфа или затегнете свободните краища на закрепващия шнур. *Разхлабените въртящи шнурове за закрепване могат да се заплетат в пръстите ви или да се закачат за детайла.*

Специфични указания за безопасност при шлифване с шкурка

- a) Не използвайте твърде големи листове шкурка, спазвайте указанията на производителя за размерите на шкурката. *Лист шкурка, който се подава извън еластичния диск, е подложен на опасност от разкъсване и може да пре-*

дизвика блокиране, скъсване на шкурката или отскок.

Специфични указания за безопасност при работа с телени четки:

- a) Имайте предвид, че и при нормална работа от телената четка падат телени нишки. Не претоварвайте нишките като притискате четката твърде силно. *Излитащите телени нишки лесно проникват през тънко облекло и/или през кожата.*
- b) Ако при работа с телена четка се препоръчва използването на предпазител, не допускайте предпазителят и дисковата или чашкообразна телена четка да се допират. *Дисковите или чашкообразни телени четки могат да увеличат диаметъра си под въздействието на натиска при работа и центробежните сили.*

Запознаване с електроинструмента

Преди да започнете да работите с електроинструмента се запознайте с всички оперативни особености и условия за безопасност. Използвайте електроинструмента и принадлежностите му само по предназначение. Всяко друго приложение е изрично забранено.

1. Вретено
2. Бутон за застопоряване на вретеното
3. Бутон за застопоряване на прекъсвача
4. Прекъсвач
5. Потенциометър за регулиране на оборотите
6. Затворена допълнителна ръкохватка
7. Шайба
8. Болт
9. Еластичен диск с прилепваща система
17. Гаечен ключ SW 22

ПРИНАДЛЕЖНОСТИ, КОИТО МОГАТ ДА БЪДАТ ИЗПОЛЗВАНИ С ТОЗИ ЕЛЕКТРОИНСТРУМЕНТ

- 6b. Странична допълнителна ръкохватка
- 9b. Еластичен диск с упорен и затягащ флакец
10. Работен инструмент с прилепваща система за фиксиране към еластичния диск (мек междинен диск, абразивен лист, гъба, филцов диск, калъф от агнешка вълна)

11. Работен инструмент с фланец с вградена гайка (платнен диск, гъба, филцов диск, четка)
12. Предпазител за допълнителната ръкохватка
13. Упорен фланец
14. Затягащ фланец
15. Абразивен лист (шкурка)
16. Калъф от агнешка вълна
18. Двурогов ключ

Указания за работа

Тези електроинструменти се захранват само с еднофазно променливо напрежение. Те са с двойна изолация съгласно EN 60745-1 и IEC 60745-1 и може да се присъединяват към контакти без защитни клеми. Радиосмущенията съответстват на Директивата за електромагнитна съвместимост 2004/108/ЕС.

Този електроинструмент е предназначен за грубо и фино сухо шлифоване, почистване и четкане, полиране и втриване на всякакъв вид повърхности при оптимално подобрена скорост на въртене.

ПРЕДИ ДА ЗАПОЧНЕТЕ РАБОТА

- Проверете дали напрежението на електрическата мрежа отговаря на това, означено върху табелката с технически данни на електроинструмента.
- Проверете в какво положение се намира прекъсвачът. Електроинструментът трябва да се присъединява и отделя от захранващата мрежа само при изключен прекъсвач. Ако поставите щепсела в контакт докато прекъсвачът е във включено положение, електроинструментът веднага ще се задейства, което е предпоставка за злополука.
- Убедете се в изправността на захранващия кабел и щепсел. Ако захранващият кабел е повреден, замяната трябва да се извърши от производителя или от негов сервизен специалист, за да се избегнат опасностите от замяната.



ПРЕДУПРЕЖДЕНИЕ: Винаги изключвайте електроинструмента и изваждайте щепсела от контакта преди извършване на всякаква настройка, обслужване или поддръжка или при отпадане на захранващото напрежение.

- Ако зоната на работа е отдалечена от източника на захранване, използвайте колкото е възможно по-къс удължител с подходящо сечение.
- Проверете дали допълнителната ръкохватка е правилно поставена и надеждно затегната.

ПУСКАНЕ - СПИРАНЕ

Полировъчната машина е осигурена срещу неволно включване.

Кратковременно задействане:

Пускане: Първоначално се натиска допълнителният бутон за блокиране 3 на прекъсвача, а след това - главният лост на прекъсвача 4. Спиране: Прекъсвач 4 се отпуска.

Продължителна работа:

Пускане: При вече пусната машина се натиска бутон 3 и се отпуска лостът на прекъсвача 4.

Спиране: Лостът на прекъсвача 4 се натиска еднократно и се отпуска веднага.

МОНТАЖ НА КОМПЛЕКТАЦИЯТА И РАБОТНИТЕ ИНСТРУМЕНТИ

Стандартно машината е комплектована с еластичен диск с вложена гайка за директно завиване върху вретеното и с прилепваща система за захващане на работния инструмент върху диска.

Възможни са и други комплектации.

При монтаж и демонтаж на полировъчни, шлифовачи инструменти (принадлежности) чрез завиване/развиване на вретеното, фиксирайте вретеното 1 на полировъчната машина чрез натискане на бутон 2, намиращ се върху редукторната кутия.



ПРЕДУПРЕЖДЕНИЕ: Не се допуска натискане на бутон 2 при въртящо се вретено!

МОНТАЖ НА ДОПЪЛНИТЕЛНАТА РЪКОХВАТКА

Допълнителната ръкохватка 6 или 6b трябва да е монтирана при всякакъв вид работа с машината.

Допълнителната ръкохватка 6 се закрепва към редуктора на машината посредством два болта 8 и шайби 7 под главите на болтовете. Затягането и развиването на болтовете се из-

вършва с гаечен ключ SW22. Ориентирането на ръкохватката към машината се съобразява с удобството на оператора.

Допълнителната ръкохватка 6b може да се закрепва по избор от дясната, горната или лявата страна на редукторната кутия. Тя се завива директно към редукторната кутия на машината.

При необходимост с допълнителната ръкохватка 6b може да се използва предпазителя 12.

ЕЛАСТИЧЕН ДИСК

Дискът 9 се завива директно на вретеното. Върху диска могат да се захващат работни инструменти 10, снабдени с прилепваща система за захващане - шкурка, полировъчна гъба, филцов диск, калъф от агнешка вълна и др.

За демонтаж (развиване) на диска при необходимост да се използва гаечен ключ.

Ако използвате еластичен диск 9b със затягащ фланец е необходимо да поставите упорния фланец 13, диска 9b и шкурката 15 върху вретеното. Завийте затягащия фланец 14 и затегнете с двурогов ключ 18.

ФИКСИРАНЕ НА РАБОТНИЯ ИНСТРУМЕНТ КЪМ ЕЛАСТИЧЕН ДИСК С ПРИЛЕПВАЩА СИСТЕМА (VELCRO)

Работният инструмент, който се захваща върху диска, трябва да е $\varnothing \text{min} 148$. Той трябва добре да прилепне към диска и при монтирането да се съблюдава същото му поставяне спрямо диска. Ексцентрично монтираните работни инструменти предизвикват биене и вибрации.



ПРЕДУПРЕЖДЕНИЕ: Използвайте само работни дискове с изправна “захващаща” система. След смяна на диска пуснете машината да работи с новия диск минимум 30 секунди на празен ход.



ПРЕДУПРЕЖДЕНИЕ: Вибриращите или неправилно въртящи се дискове трябва незабавно да се заменят.

ТЕЛЕНА ЧЕТКА

Машината може да работи с чашкообразна или дискова телена четка с присъединителна резба M14.

Завийте телена четка върху вретеното 1 и затегнете с ключ.

КАЛЪФ ОТ АГНЕШКА ВЪЛНА

Калъфът от вълна се поставя върху еластичния диск 9b и се разпределя равномерно по цялата повърхност.

Калъфът се фиксира върху полировъчния диск посредством шнур.

Краищата на шнур се напъхват навътре между калъфа и полировъчния диск.

ФИЛЦОВА ПОЛИРОВЪЧНА ШАЙБА И ПОЛИРОВЪЧНА ГЪБА С ФЛАНЕЦ

Завийте филцовата полировъчна шайба или гъбата с фланец върху вретеното 1.

ПЛАТНЕНА ШАЙБА (ПРИТИР)

Платнената шайба е захваната с помощта на носач, състоящ се от шпилка с отвор и резба, упорен и затягащ фланец. Платнената шайба се монтира като се завие върху вретеното на машината.

ЕЛЕКТРОННО УПРАВЛЕНИЕ НА МАШИНАТА



ПРЕДУПРЕЖДЕНИЕ: Не работете с машината, ако електрониката е неисправна, защото това е свързано с работа при завишени обороти. Неизправността на електрониката може да се разпознае по отсъствието на плавен пуск или невъзможността за регулиране на оборотите.

Полировъчната машина е разработена с двуполупериодно електронно управление, което има следните функции:

Плавно пускане и ограничаване на пусковия ток

Такова пускане осигурява тръгване на машината без тласък и предотвратява възникването на колебания на напрежението в захранващата мрежа.

Регулиране скоростта на въртене на вретеното

Плавното регулиране скоростта на въртене на вретеното се извършва в съответствие с вида на работата, извършвана от оператора. Обхватът на регулиране е съгласно Таблица 1:

Таблица 1

Позиция	Скорост, min ⁻¹		
	PM 1026CE	PM 1324CE	PM 1631CE
A	800	400	600
B	1100	700	1000
C	1400	1000	1400
D	1700	1300	1800
E	2000	1600	2200
F	2300	1900	2600
G	2600	2400	3100



ПРЕДУПРЕЖДЕНИЕ: Изберете предварително подходяща скорост за извършваната операция с потенциометъра 5 съгласно таблица 1.

За извършваната операция и избраната скорост използвайте подходящ работен инструмент. За полиране не използвайте скорост по-висока от 1500 min⁻¹.

Стабилизиране на скоростта на въртене

Предварително избраните обороти постоянно се стабилизират от електрониката, за да се ограничи понижаването на скоростта на вретеното при променяща се големина на натоварването.

Температурна защита

За да се предпази електроинструмента от недопустимо прегряване (изгаряне на двигателя), в процеса на продължителна експлоатация в режим на претоварване, е предвидена температурна защита. Преди достигане на критичната температура електрониката изключва машината и тя преминава от работен в защитен режим.

За привеждане в работен режим е необходимо да изключите и отново да включите прехвърача.

Поддръжка



ПРЕДУПРЕЖДЕНИЕ: Винаги изключвайте електроинструмента и изваждайте щепсела от контакта преди всякаква проверка или поддръжка.

ПОДМЯНА НА ЧЕТКИТЕ

Електроинструментът е снабден със самоизключващи се четки. Когато четките се износват, двете четки трябва да се подменят едновременно с оригинални четки в сервиз на SPARKY за гаранционна и извънгаранционна поддръжка.

ОБЩА ПРОВЕРКА

Проверявайте редовно всички крепежни елементи и се уверете, че те са здраво притегнати. В случай, че някой от винтовете се е разхлабил, го затегнете незабавно, за да избегнете рискови ситуации.

Ако захранващият кабел е повреден, замяната трябва да се извърши от производителя или негов сервизен специалист, за да се избегнат опасностите от замяната.

ПОЧИСТВАНЕ

За безопасна работа поддържайте винаги чисти машината и вентилационните отвори. Редовно проверявайте дали във вентилационната решетка близо до електродвигателя или около превключвателите не е проникнал прах или чужди тела. Използвайте мека четка за да отстраните събралия се прах. За да предпазите очите си, по време на почистването носете защитни очила.

Ако корпусът на машината се нуждае от почистване, избършете го с мека влажна кърпа. Може да се използва слаб препарат за миене.



ПРЕДУПРЕЖДЕНИЕ: Не се допуска употребата на спирт, бензин или други разтворители. Никога не използвайте разяждащи препарати за почистване на пластмасовите части.



ПРЕДУПРЕЖДЕНИЕ: Не се допуска влизането на вода в контакт с машината.

ВАЖНО! За да се осигури безопасната работа с електроинструмента и неговата надеждност, всички дейности по ремонта, поддръжката и регулирането (включително проверката и подмяната на четките) трябва да се извършват в оторизираните сервиси на SPARKY с използване само на оригинални резервни части.

Гаранция

Гаранционният срок на електроинструментите SPARKY се определя в гаранционна карта.

Неизправности, появили се в следствие на естествено износване, претоварване или неправилна експлоатация, се изключват от гаранционните задължения.

Неизправности, появили се в следствие на влагане на некачествени материали и/или производствени грешки, се отстраняват без допълнително заплащане чрез замяна или ремонт.

Рекламация на дефектирал електроинструмент SPARKY се признава, когато машината се върне на доставчика или се представи на оторизиран гаранционен сервис в неразглобено (първоначално) състояние.

Забележки

Внимателно прочетете цялата инструкция за експлоатация преди да използвате това изделие.

Производителят си запазва правото да въвежда подобрения и промени в своите изделия и да променя спецификациите без предупреждение.

Спецификациите могат да се различават за отделните страни.

Таблица 2

Материал	Приложение	Инструмент / консуматив	Препоръчителни обороти, min ⁻¹
Боядисани и лакирани повърхнини Пластмаса Дървесина Камък	Разнасяне и втриване на полировъчни пасти Полиране до блясък	Филцов диск, полировъчна гъба, калъф от агнешка вълна, вълнен диск, платнен диск	400-1100
Пластмаса Цветни метали Камък	Полиране	Филцов полироващ диск (филцова шайба), платнен диск	900-1300
Пластмаса Дървесина Цветни метали	Заглаждане на повърхности	Шлифовъчен лист	1200-2000
Метал Дървесина	Отстраняване на боя	Шлифовъчен лист	2000-2400
Метал Дървесина	Премахване на ръжда Четкане	Телени четки	2000-2400
Дървени профили Капази на прозорци	Прешлифоване и четкане на суха напукана боя	Телени четки	2300-2900
Камък	Шлифоване	Абразивен лист	2500-3100

