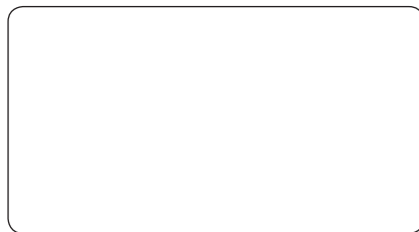




POWER  
TOOLS



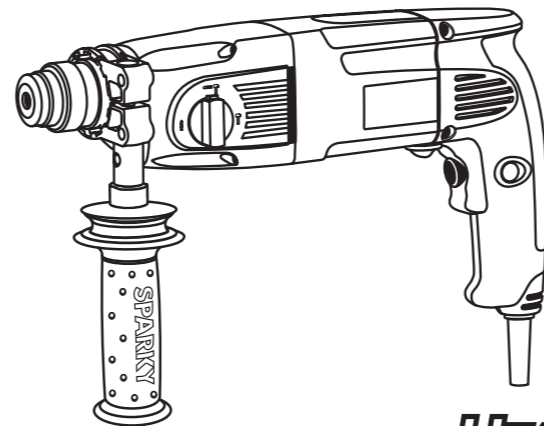
www.sparkygroup.com

142386

1206R01

© 2012 SPARKY

SPARKY		HD PROFESSIONAL	
EN	<b>ROTARY HAMMER</b> Original instructions	1 – 10	
DE	<b>BOHRHAMMER</b> Originalbetriebsanleitung	11 – 21	
FR	<b>MARTEAU PERFORATEUR</b> Notice originale	22 – 32	
IT	<b>MARTELLO PERFORATORE</b> Istruzioni originali	33 – 42	
ES	<b>MARTILLO PERFORADOR</b> Instrucciones de uso originales	43 – 53	
PT	<b>MARTELO PERFURADOR</b> Manual original	54 – 64	
PL	<b>MŁOT UDAROWO-OBROTOWY</b> Oryginalna instrukcja obsługi	65 – 75	
RU	<b>ЭЛЕКТРОННЫЙ ПЕРФОРАТОР</b> Оригинальная инструкция по эксплуатации	76 – 86	
UK	<b>ЕЛЕКТРОННИЙ ПЕРФОРАТОР</b> Оригінальна інструкція з експлуатації	87 – 97	
BG	<b>ПЕРФОРАТОР</b> Оригинална инструкция за използване	98 – 108	



HEAVYDUTY

820W

BPR 261E



EN

### DECLARATION OF CONFORMITY

We declare under our sole responsibility that this product fulfils all the relevant provisions of the following directives and the harmonized standards:  
2006/42/EC, 2004/108/EC, EN 60745-1, EN 60745-2-6, EN 55014-1, EN 55014-2, EN 61000-3-2, EN 61000-3-3.  
Technical file is stored at SPARKY ELTOS AG, Kubrat Str. 9, 5500 Lovetch, Bulgaria.

DE

### KONFORMITÄTSERKLÄRUNG

Hiermit versichern wir unsere persönliche Haftung, dass dieses Erzeugnis allen einschlägigen Bestimmungen folgender Richtlinien und entsprechender harmonisierter Standards entspricht:  
2006/42/EC, 2004/108/EC, EN 60745-1, EN 60745-2-6, EN 55014-1, EN 55014-2, EN 61000-3-2, EN 61000-3-3.  
Die technischen Unterlagen werden bei SPARKY ELTOS AG, Kubrat Str.9, 5500 Lovetch, Bulgarien, aufbewahrt.

FR

### DECLARATION DE CONFORMITE

Nous déclarons sous notre responsabilité que ce produit satisfait à l'ensemble des dispositions pertinentes de la présente directives, respectivement aux normes harmonisées:  
2006/42/EC, 2004/108/EC, EN 60745-1, EN 60745-2-6, EN 55014-1, EN 55014-2, EN 61000-3-2, EN 61000-3-3.  
Le dossier technique est conservé par SPARKY ELTOS AD, 9, rue Kubrat, Lovech, Bulgarie.

IT

### DICHIARAZIONE DI CONFORMITÀ

Noi dichiariamo sotto la nostra personale responsabilità, che questo prodotto è in conformità a tutte le disposizioni pertinenti della presente direttive e norme armonizzate:  
2006/42/EC, 2004/108/EC, EN 60745-1, EN 60745-2-6, EN 55014-1, EN 55014-2, EN 61000-3-2, EN 61000-3-3.  
Il fascicolo tecnico viene custodito presso la SPARKY ELTOS AD, 5500 Lovech, via Kubrat n. 9, Bulgaria.

ES

### DECLARACIÓN DE CONFORMIDAD

Declaramos bajo nuestra exclusiva responsabilidad que este producto está conforme con todas las disposiciones aplicables de la presente directrices aplicables y las correspondientes normas armonizadas:  
2006/42/EC, 2004/108/EC, EN 60745-1, EN 60745-2-6, EN 55014-1, EN 55014-2, EN 61000-3-2, EN 61000-3-3.  
El expediente técnico está archivado en SPARKY ELTOS SA, C/ Kubrat, 9, 5500 Lovech, Bulgaria.

PT

### DECLARAÇÃO DE CONFORMIDADE

Declaramos assumindo a nossa responsabilidade pessoal que este produto está conforme com todas as disposições relevantes da presente directrizes aplicáveis e respectivos estandartes harmonizados:  
2006/42/EC, 2004/108/EC, EN 60745-1, EN 60745-2-6, EN 55014-1, EN 55014-2, EN 61000-3-2, EN 61000-3-3.  
A documentação técnica guarda-se no SPARKY ELTOS AD, rua Kubrat 9, 5500, Lovech, Bulgária.

PL

### DEKLARACJA ZGODNOŚCI

Niniejszym deklarujemy naszą osobistą odpowiedzialnością, że ten produkt spełnia wszystkie odpowiednie postanowienia następujących dyrektyw i harmonizowanych standardów:  
2006/42/EC, 2004/108/EC, EN 60745-1, EN 60745-2-6, EN 55014-1, EN 55014-2, EN 61000-3-2, EN 61000-3-3.  
Teczka techniczna przechowywana jest w SPARKY ELTOS AG, Kubrat Str.9, 5500 Lovetch, Bulgaria.

RU

### ДЕКЛАРАЦИЯ О СООТВЕТСТВИИ

Мы заявляем со всей ответственностью, что данный продукт полностью соответствует всем соответствующим требованиям действующих директив и гармонизированных стандартов:  
2006/42/EC, 2004/108/EC, EN 60745-1, EN 60745-2-6, EN 55014-1, EN 55014-2, EN 61000-3-2, EN 61000-3-3.  
Техническое досье хранится в СПАРКИ ЕЛТОС АД, ул. Кубрат №9, 5500 Ловеч, Болгария.

UK

### ДЕКЛАРАЦІЯ ПРО ВІДПОВІДНІСТЬ

Ми заявляємо під свою власну відповідальність, що даний продукт відповідає всім діючим вимогам директив і гармонізованих стандартів:  
2006/42/EC, 2004/108/EC, EN 60745-1, EN 60745-2-6, EN 55014-1, EN 55014-2, EN 61000-3-2, EN 61000-3-3.  
Технічне досьє зберігається в СПАРКИ ЕЛТОС АД, ул. Кубрат № 9, 5500 Ловеч, Болгарія.

BG

### ДЕКЛАРАЦИЯ ЗА СЪОТВЕТСТВИЕ

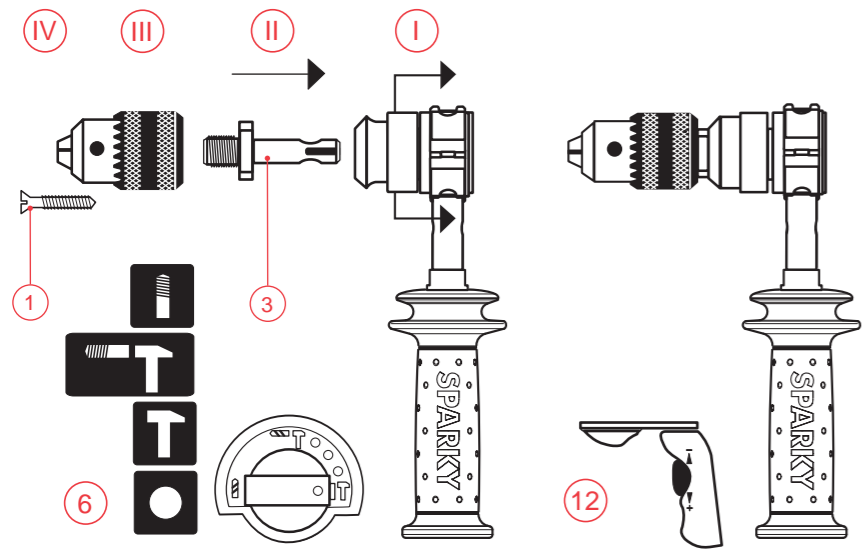
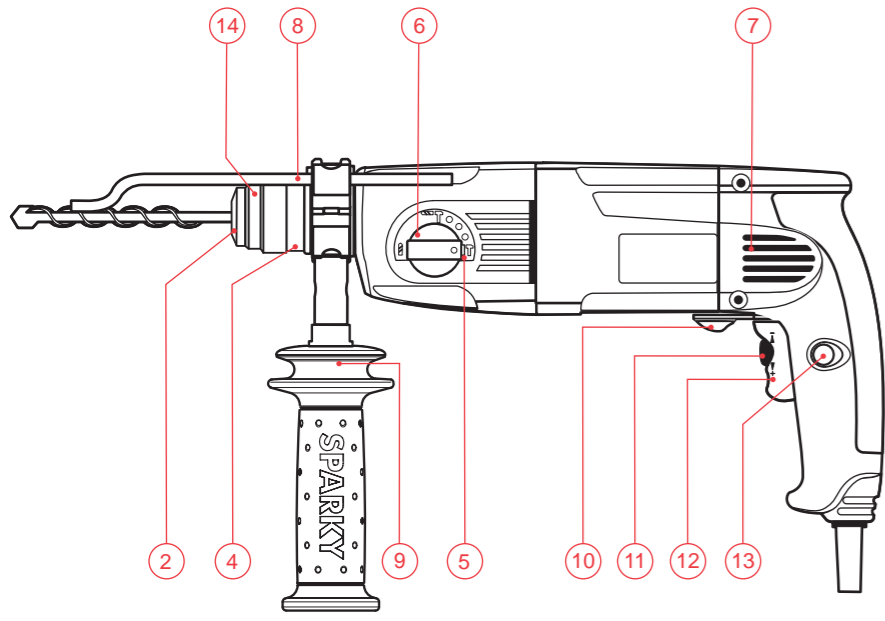
Ние декларираме на своя лична отговорност, че това изделие отговаря на всички приложими изисквания на следните директиви и хармонизирани стандарти:  
2006/42/EC, 2004/108/EC, EN 60745-1, EN 60745-2-6, EN 55014-1, EN 55014-2, EN 61000-3-2, EN 61000-3-3.  
Техническото досие се съхранява в СПАРКИ ЕЛТОС АД, ул. Кубрат №9, 5500 Ловеч, България.

Manufacturer  
SPARKY Power Tools GmbH  
Leipziger Str. 20  
10117 Berlin, GERMANY

Signature of authorized person

A. Ivanov  
Technical director of SPARKY ELTOS AG

20.06.2011



# Contents

I - Introduction .....	1
II - Technical specifications .....	3
III - General power tool safety warnings .....	4
IV - Rotary hammer safety warnings .....	5
V - Know your product .....	A/6
VI - Operation .....	6
VII - Maintenance .....	9
VIII - Warranty .....	10

## UNPACKING

Due to modern mass production techniques, it is unlikely that your power tool is faulty or that a part is missing. If you find anything wrong, do not operate the tool until the parts have been replaced or the fault has been rectified. Failure to do so could result in serious personal injury.

## ASSEMBLY

The rotary hammer, packed in a case, is fully assembled.  
The rotary hammer, packed in a box, is assembled except for the auxiliary handle.

## I - Introduction

---

Your new SPARKY power tool will more than satisfy your expectations. It has been manufactured under stringent SPARKY Quality Standards to meet superior performance criteria. You will find your new tool easy and safe to operate, and, with proper care, it will give you many years of dependable service.

### WARNING:



Carefully read through these Original Instructions before using your new SPARKY power tool. Take special care to heed the Warnings. Your SPARKY power tool has many features that will make your job faster and easier. Safety, performance, and dependability have been given top priority in the development of this tool, making it easy to maintain and operate.



### **Do not dispose of electric tools together with household waste!**

Waste electrical products should not be disposed of with household waste. Please recycle where facilities exist. Check with your local authority or retailer for recycling advice.

## ENVIRONMENTAL PROTECTION



The machine, accessories and packaging should be sorted for environmental-friendly recycling.

The plastic components are labelled for categorised recycling.

## DESCRIPTION OF SYMBOLS

The rating plate on your power tool may show symbols. These represent important information about the product or instructions on its use.



Double insulated for additional protection.



Съответства на приложимите европейски директиви.



Conforms to the requirements of Russian standards.



Conforms to the requirements of Ukrainian standards.




Refer to Original Instructions.

YYYY-Www      Production period, where the variable symbols are:  
YYYY- year of manufacture,  
Www - calendar week number.

BPR                Rotary hammer.

## II - Technical specifications

<b>Model</b>	<b>BPR 261E</b>
Power input	820 W
No load rpm	
Rightwards	0-1300 min <sup>-1</sup>
Leftwards	0-740 min <sup>-1</sup>
Variable speed	yes
Reversing	yes
Safety clutch	yes
Chuck capacity	1.5-13 mm
Max. blow rate	5450 min <sup>-1</sup>
Drilling capacity:	
in concrete	26 mm
in steel	13 mm
in wood	30 mm
Tool holder	SDS plus
Weight (EPTA Procedure 01/2003)	3.1 kg
Protection class (EN 60745-1) 	II

### NOISE AND VIBRATION INFORMATION

Measured values determined according to EN 60745.

#### Noise emission

A-weighted sound pressure level $L_{pA}$	90.0 dB (A)
Uncertainty $K_{pA}$	3.0 dB (A)
A-weighted sound power level $L_{wA}$	101.0 dB (A)
Uncertainty $K_{wA}$	3.0 dB (A)

#### Wear hearing protection!

#### Vibration emission \*

Total vibration values (vector sum in the three axes) determined according to EN 60745:

Hammer drilling in concrete	
Vibration emission value $a_{h,HD}$	15.0 m/s <sup>2</sup>
Uncertainty $K_{HD}$	1.5 m/s <sup>2</sup>
Chiselling	
Vibration emission value $a_{h,CHeq}$	11.5 m/s <sup>2</sup>
Uncertainty $K_{CHeq}$	1.5 m/s <sup>2</sup>
Drilling in steel	
Vibration emission value $a_{h,D}$	6.5 m/s <sup>2</sup>
Uncertainty $K_D$	1.5 m/s <sup>2</sup>

\* The vibration emission values are determined according to 6.2.7 EN 60745-1.

The vibration emission level given in this information sheet has been measured in accordance with a standardised test given in EN 60745 and may be used to compare one tool with another. It may be used for a preliminary assessment of exposure.

The declared vibration emission level represents the main applications of the tool. However if the tool is used for different applications, with different accessories or poorly maintained, the vibration emission may differ. This may significantly increase the exposure level over the total working period.

An estimation of the level of exposure to vibration should also take into account the times when the tool is switched off or when it is running but not actually doing the job. This may significantly reduce the exposure level over the total working period.

Maintain the power tool and the accessories and keep your hands warm during operation to reduce the harmful effect of vibrations.

Dust from material such as paint containing lead, some wood species, minerals and metal may be harmful. Contact with or inhalation of the dust may cause allergic reactions and/or respiratory diseases to the operator or bystanders.

Certain kinds of dust are classified as carcinogenic such as oak and beech dust especially in conjunction with additives for wood conditioning (chromate, wood preservative). Material containing asbestos must only be treated by specialists.

- Where the use of a dust extraction device is possible it shall be used.
- To achieve a high level of dust collection, use vacuum cleaner for wood or for wood and/or minerals together with this tool.
- The work place must be well ventilated.
- The use of a dust mask of filter class P2 is recommended.

Follow national requirements for the materials you want to work with.

### III - General power tool safety warnings



**WARNING!** Read all safety warnings and all instructions. Failure to follow the warnings and instructions may result in electric shock, fire and/or serious injury.

Save all warnings and instructions for future reference.

The term "power tool" in the warnings refers to your mains-operated (corded) power tool or battery-operated (cordless) power tool.

#### 1) Work area safety

- a) **Keep work area clean and well lit.** Cluttered or dark areas invite accidents.
- b) **Do not operate power tools in explosive atmospheres, such as in the presence of flammable liquids, gases or dust.** Power tools create sparks which may ignite the dust or fumes.
- c) **Keep children and bystanders away while operating a power tool.** Distractions can cause you to lose control.

#### 2) Electrical safety

- a) **Power tool plugs must match the outlet. Never modify the plug in any way. Do not use any adapter plugs with earthed (grounded) power tools.** Unmodified plugs and matching outlets will reduce risk of electric shock.
- b) **Avoid body contact with earthed or grounded surfaces, such as pipes, radiators, ranges and refrigerators.** There is an increased risk of electric shock if your body is earthed or grounded.
- c) **Do not expose power tools to rain or wet conditions.** Water entering a power tool will increase the risk of electric shock.
- d) **Do not abuse the cord. Never use the cord for carrying, pulling or unplugging**

**the power tool. Keep cord away from heat, oil, sharp edges or moving parts.**

*Damaged or entangled cords increase the risk of electric shock.*

- e) **When operating a power tool outdoors, use an extension cord suitable for outdoor use.** Use of a cord suitable for outdoor use reduces the risk of electric shock.
- f) **If operating a power tool in a damp location is unavoidable, use a residual current device (RCD) protected supply.** Use of an RCD reduces the risk of electric shock.

#### 3) Personal safety

- a) **Stay alert, watch what you are doing and use common sense when operating a power tool. Do not use a power tool while you are tired or under the influence of drugs, alcohol or medication.** A moment of inattention while operating power tools may result in serious personal injury.
- b) **Use personal protective equipment. Always wear eye protection.** Protective equipment such as dust mask, non-skid safety shoes, hard hat, or hearing protection used for appropriate conditions will reduce personal injuries.
- c) **Prevent unintentional starting. Ensure the switch is in the off-position before connecting to power source and/or battery pack, picking up or carrying the tool. Carrying power tools with your finger on the switch or energising power tools that have the switch on invites accidents.**
- d) **Remove any adjusting key or wrench before turning the power tool on. A wrench or a key left attached to a rotating part of the power tool may result in personal injury.**
- e) **Do not overreach. Keep proper footing and balance at all times.** This enables better control of the power tool in unexpected situations.
- f) **Dress properly. Do not wear loose clothing or jewellery. Keep your hair, cloth-**

ing and gloves away from moving parts. Loose clothes, jewellery or long hair can be caught in moving parts.

- g) If devices are provided for the connection of dust extraction and collection facilities, ensure these are connected and properly used. Use of dust collection can reduce dust-related hazards.
- 4) Power tool use and care
- a) Do not force the power tool. Use the correct power tool for your application. The correct power tool will do the job better and safer at the rate for which it was designed.
- b) Do not use the power tool if the switch does not turn it on and off. Any power tool that cannot be controlled with the switch is dangerous and must be repaired.
- c) Disconnect the plug from the power source and/or the battery pack from the power tool before making any adjustments, changing accessories, or storing power tools. Such preventive safety measures reduce the risk of starting the power tool accidentally.
- d) Store idle power tools out of the reach of children and do not allow persons unfamiliar with the power tool or these instructions to operate the power tool. Power tools are dangerous in the hands of untrained users.
- e) Maintain power tools. Check for misalignment or binding of moving parts, breakage of parts and any other condition that may affect the power tool's operation. If damaged, have the power tool repaired before use. Many accidents are caused by poorly maintained power tools.
- f) Keep cutting tools sharp and clean. Properly maintained cutting tools with sharp cutting edges are less likely to bind and are easier to control.
- g) Use the power tool, accessories and tool bits etc. in accordance with these instructions, taking into account the working conditions and the work to be performed. Use of the power tool for operations different from those intended could result in a hazardous situation.
- 5) Service
- a) Have your power tool serviced by a qualified repair person using only identical replacement parts. This will ensure that the safety of the power tool is maintained.

## IV - Rotary hammer safety warnings



**Wear ear protectors with rotary hammers.** Exposure to noise can cause hearing loss.

- Use the auxiliary handle supplied with the machine. Loss of control can cause personal injury.



**During operation provide eye protection to prevent eyes from exposure to flying particles.** Wear goggles.



**Take protective measures against inhalation of dust.** Some materials can contain toxic ingredients. Wear a dust mask and work with dust/chip extraction when connectable.

- Hold the power tool by insulated gripping surfaces only, when performing an operation where the cutting accessory may contact hidden wiring or its own cord. Cutting accessory contacting a "live" wire may make exposed metal parts of the power tool "live" and could give the operator an electric shock.
- Do not process materials containing asbestos. Asbestos is considered carcinogenic.



**WARNING:** Before connecting a tool to a power source ensure that the voltage supply is the same as that specified on the nameplate of the tool.

- A power source with a voltage greater than that specified for the tool can result in serious injury to the user, as well as damage to the tool.
- If in doubt, do not plug in the tool.
- Using a power source with a voltage less than the nameplate rating is harmful to the motor.
- Fully unwind cable drum extensions to avoid potential overheating.
- When an extension cable is required, you must ensure that it has the right ampere rating for your power tool and it is in safe electrical condition.



**WARNING:** Always switch off and unplug the power tool prior to any adjustment, servicing or maintenance.

- While operating the machine, always hold it firmly with both hands and provide for a secure stance. The power tool is guided more securely with both hands.
- Prior to operation use suitable detectors to determine if utility lines are hidden in the work area or call the local utility company for assistance. Contact with electric lines can lead to fire and electric shock. Damaging a gas line can lead to explosion. Penetrating a water line causes property damage or may cause electric shock.
- Always keep the cord away from the working area of the power tool.
- Never use the machine with a damaged cable. Do not touch the damaged cable and pull the mains plug when the cable is damaged while operating. Damaged cables increase the risk of electric shock.
- Always be sure you have a firm footing. Be sure no one is below when using the tool in high locations.
- Use clamps or a vice to secure your work whenever possible.
- Watch out for the initial torque reaction of the machine or upon jamming the drill bit. Switch the power tool immediately upon jamming the drill bit. Watch out for high reactive torque which may result in kick-back. The drill bit will block if the power tool is overloaded or if the bit jams into the material.
- Do not touch the drill bit or the processed part during operation and immediately after that; they may be extremely hot. You may get serious burns.
- Keep work area clean. Blends of materials are particularly dangerous. Dust from light alloys can burn or explode.
- Rags, cloths, cord, string and the like should never be left around the work area.
- Always switch the machine off prior to leaving it down.
- The tool must be used only for its prescribed purpose. Any use other than those mentioned in this Manual will be considered a case of misuse. The user and not the manufacturer shall be liable for any damage or injury resulting from such cases of misuse.
- To use this tool properly, you must observe the safety regulations, the assembly instructions and the operating instructions found in this Manual. All persons who use and service the machine have to be acquainted with this Manual and must be informed about its potential hazards. Children and frail people must not use this tool. Children should be supervised

at all times if they are in the area in which the tool is being used. It is also imperative that you observe the accident prevention regulations in force in your area. The same applies for general rules of occupational health and safety.

- The manufacturer shall not be liable for any changes made to the tool nor for any damage resulting from such changes.
- Power tools must not be used outdoors in rainy weather, or in moist environment (after rain) or in close vicinity with easily flammable liquids and gases. The working place should be well lit.

## V - Know your product

Before using the power tool, familiarize yourself with all the operating features and safety requirements.

Use the tool and accessories only for the applications intended. All other applications are expressly ruled out.

1. Securing screw
  2. SDS plus socket
  3. Adapter
  4. Rotary hammer journal
  5. Release button
  6. Operation mode selector switch
  7. Ventilation slots
  8. Depth gauge
  9. Auxiliary handle
  10. Reversing switch
  11. Electronic regulator of rotation speed
  12. ON/OFF switch
  13. Lock-on button
  14. Locking socket
- III. Three-jaw chuck

## VI - Operation

This power tool is supplied from single-phase alternating current mains only. It is double insulated according to EN 60745-1, IEC 60745 and can be connected to grounded or not grounded sockets. This power tool is radio suppressed in compliance with EMC Directive 2004/108/EC.

The rotary hammer is designed for hammer drilling in concrete, stone, masonry and various brittle materials and for drilling in steel, wood, plastics, etc.



## **PRIOR TO INITIAL OPERATION**

---

- Make sure the power supply voltage corresponds to the value indicated on the name plate with technical data of the tool.
- Always check the position of ON/OFF switch. The power tool must be connected to the power supply socket only when this switch is in OFF position. If the plug is connected to a receptacle while the power switch is in the ON position, the power tool will start operating immediately, which could cause a serious accident.
- Make sure that the cord and the plug are in order. If the replacement of the supply cord is necessary, this has to be done by the manufacturer or his agent in order to avoid a safety hazard.



**WARNING:** Always switch off and unplug the power tool prior to any adjustment, servicing or maintenance.

- In case the work area is remote from the power source, use as short as practicable extension cord with proper cross-section.
- Check that the auxiliary handle is properly mounted and reliably tightened.

## **SWITCHING ON - SWITCHING OFF**

---

### **Brief activation**

- Switching on: press ON/OFF switch 12.
- Switching off: release ON/OFF switch 12.

### **Continuous use**

- Switching on: with lever 10 turned to the right press ON/OFF switch 12 and in pressed position lock it by button 13.
- Switching off: press ON/OFF switch 12 once and release it immediately.

## **STEPLESS ELECTRONIC RPM CONTROL**

---

Light pressure on ON/OFF switch 12 results in low rotation speed, further pressing the switch results in stepless increase of the rpm to maximum upon reaching the extreme position.

## **SELECTION OF RPM VALUE**

---

The necessary speed can be preselected by rotating the regulator dial 11 in direction towards "G" for increasing, and towards "A" for decreasing the speed, thus ensuring the optimum mode for drilling in different materials - metal, wood, plastics, etc.

## **REVERSING**

---

Prior to operation always check the direction of rotation.

The extreme position of lever 10 to the right is equivalent to clockwise rotation, the extreme position to the left - to anti-clockwise rotation. When the ON/OFF switch is depressed lever 10 can not be actuated. Reversing can be performed only when the spindle is not rotating! During operation with anti-clock rotation (left direction) the switch trigger has limited run and the machine can operate with revolutions from position "A" to "E" on the electronic regulator 11. The lock-on button can operate only if the electronic regulator 11 is in positions from "A" to "E".

## **OPERATION MODE SELECTION**

---

Only at standstill or stopping machine!

Press the release button 5 on mode selector switch 6 and rotate the switch to select:

- Drilling - drilling in metal, wood, plastics, etc.
- Hammer drilling - hammer drilling in concrete, stone, etc.
- Chiselling - chiselling grooves in concrete and demolishing.
- Adjusting the chisel - to avoid operator's fatigue, insert and fix the chisel in the necessary position.

## **INSERTING AND FASTENING SDS PLUS DRILL BITS**

---

Pull backward the dust cup of socket 2 and insert the SDS plus drill bit until stop. Ensure that the socket grooves correspond to the shank channels and release the cup to fix the drill bit. A special device prevents extracting the drill bit, without performing the above-described procedure.

## **INSERTING AND FASTENING DRILL BITS WITH STRAIGHT SHANKS INTO THE CHUCK**

---

Insert adapter 3 into the SDS plus socket 2 in the above described manner. Screw the three-jaw chuck onto adapter 3 and fix it by securing screw 1. In this configuration the rotary hammer can operate in "drill bit" mode.

### **For three-jaw chucks**

By turning the collar of chuck III clockwise or anti-clockwise the jaws move to a position ensuring inserting the bit shank. Rotate the collar of chuck II clockwise to tighten the drill bit shank. Fix the drill bit finally into the chuck by means of

the special chuck key, tightening equally in all three bores.

#### **For keyless-chucks**

Grip rear collar of chuck III and rotate front collar until chuck III is opened sufficiently for the tool to be inserted, then tighten front collar. An audible "click" indicates that the chuck has automatically locked.

### **REMOVING THE CHUCK**

#### **For three-jaw chuck rotary hammers:**

Open the jaws of chuck III completely, and by means of a screwdriver unwind the left-threaded securing screw. Fix the adapter 3 by an open-end spanner (17 mm). Insert the special key for chuck tightening in one of the three bores and rotate the chuck anti-clockwise, using the chuck key as a lever, to unscrew chuck III from the adapter.

#### **For keyless-chuck rotary hammers:**

Grip rear collar of keyless chuck and rotate front collar until chuck is opened. By means of a screwdriver unwind the left-threaded securing screw. Insert Allen key or screwdriver bit into the chuck and clamp its free end in appropriate way. Grip the adapter 3 with a spanner and rotate anti-clockwise.

### **INSERTING AND FASTENING SDS PLUS CHISELS**

Set mode selector switch 6 to "hammer" position.

Pull backward the cup of socket 2. Insert the chisel until stop, paying attention that the socket splines fit into the chisel shank grooves, then release the socket to fix the chisel.

With the switch 6 toward "point" symbol adjust the chisel in optimum operating position then turn and fix mode selector switch 6 to "hammer" position. Selector switch 6 must always point toward "hammer" symbol during chiselling mode. For chiselling, mode selector switch 6 must always point toward symbol "hammer".

### **SCREWING / UNSCREWING BOLTS, SCREWS AND NUTS**

Following the above-described procedure, tighten the corresponding accessory into chuck III. Set mode selector switch to symbol "drill bit". Select the rotation necessary by lever 10. These operations must be performed only at low speed.



**WARNING:** In case of driving long bolts and screws there is a danger of slipping the rotary hammer.

### **AUXILIARY HANDLE**

Tighten the auxiliary handle 9 on the journal 4 of the rotary hammer. In the interests of safety, the auxiliary handle 9 should always be used. The depth gauge 8 can be used for fixing the depth of the drilled bores.

The auxiliary handle for these models is connected to the body of the machine through vibration dampers, protecting the operator and reducing fatigue.

### **TORQUE LIMITATION**

The safety clutch limits the torque. Upon actuating the safety clutch stops the spindle rotation and the tool ceases to rotate. In this case switch the machine off immediately to avoid premature wear.

### **RECOMMENDATIONS FOR OPERATION**

At low ambient temperatures and after storage let the machine run at no load in order to warm up, thus improving lubrication. Hammer drilling is impossible without properly warmed-up machine.

Apply moderate pressure during drilling in concrete (approximately 80-100 N). Higher pressure will not increase drilling efficiency, but it will lead to decreasing the operation life of the machine. Clean and lubricate the tool shank prior to inserting it.

Take the drill out of the opening from time to time to remove dust. Watch out the stage of blunting of the bit and change it if considerable decrease of efficiency is observed.

Do not operate the machine in "hammer drilling" and "hammer" mode with the lever 10 in leftmost position.

Depending on the processed material it is possible that the impact energy may decrease during operation in "hammer" mode (chiselling and demolishing and in "hammer drilling" mode. To restore the maximum impact energy it is necessary to reduce the revolutions by decreasing the pressure on switch trigger 12 until the advent of stable impact.

Before drilling large-diameter holes in metal, first drill a small pilot hole.

The optimum capacity when drilling in concrete is up to 16 mm, and the possible capacity is up to 26 mm.

The rotary hammer is suitable for light-duty chiselling. Higher durability and efficiency can be achieved only when using sharp chisels.

## ACCESSORIES

- Drill bits for metal Ø3 to Ø13 mm
- Drill bits for wood Ø3 to Ø30 mm
- SDS plus drill bits for concrete Ø3 to Ø26 mm
- SDS+ core cutters up to Ø65 mm
- SDS+ pointed chisels up to 250 mm long
- SDS+ chisels up to 40 mm wide
- SDS+ grooving chisels up to 22 mm wide
- Screwdriver bits with 6,35 mm (1/4") hexagon shaft



**WARNING:** We recommend using these accessories or attachments when operating your power tool. The use of any other accessories or attachments might present a risk of injury. Only use accessory or attachment for its stated purpose. If you need any assistance for more details regarding these accessories, ask your local SPARKY service centre.

## VII - Maintenance



**WARNING:** Always ensure that the tool is switched off and unplugged before attempting to perform inspection or maintenance.

## GENERAL INSPECTION

Regularly inspect all fasteners and ensure they are properly tightened. Should any of the screws be loose, retighten it immediately to avoid hazards.

If the replacement of the supply cord is necessary, this has to be done by the manufacturer or his agent in order to avoid a safety hazard.

## CLEANING

For safe operation always keep the machine and its ventilation slots clean.

Regularly check to see if any dust or foreign matter has entered the ventilation slots and the grills around the switches. Use a soft brush and/or air jet to remove any accumulated dust. Wear safety glasses to protect your eyes whilst cleaning.

Exterior plastic parts may be cleaned with a damp cloth and mild detergent if necessary.



**WARNING:** Never use alcohol, petrol or other cleaning agent. Never use caustic agents to clean plastic parts.



**WARNING:** Water must never come into contact with the tool.

**IMPORTANT!** To assure product safety and reliability, repairs, maintenance and adjustment (including brush inspection and replacement) should be performed by certified service centres or other qualified service organisations, always using genuine replacement parts.

## VIII - Warranty

---

The guarantee period for SPARKY power tools is determined in the guarantee card.

Faults due to normal wear, overloading or improper handling will be excluded from the guarantee.

Faults due to defective materials implemented as well as defects in workmanship will be corrected free of charge through replacement or repair.

The complaints for defective SPARKY power tools will be recognized if the machine is sent back to the dealer or is presented to the authorised warranty service centre undismantled, in its initial condition.

## Notes

---

Carefully read the entire Instruction Manual before using this product.

The manufacturer reserves the right to make changes and improvements to the products and to alter specifications without prior notice.

Specifications may differ from country to country.

# Inhalt

I - Einführung .....	11
II - Technische Daten.....	13
III - Allgemeine Sicherheitshinweise für Elektrowerkzeuge.....	14
IV - Zusätzliche Sicherheitshinweise für Arbeiten mit Bohrhämmern .....	16
V - Elemente des Elektrowerkzeuges.....	A/17
VI - Betriebshinweise .....	17
VII - Wartung .....	20
VIII - Garantie .....	21

## AUSPACKEN

Überprüfen Sie unmittelbar nach dem Auspacken ob sämtliche Bestandteile und das beschriebene Zubehör mitgeliefert wurden. Sollte dies nicht der Fall sein, wenden Sie sich bitte umgehend an Ihren Fachhändler bei dem das Elektrowerkzeug gekauft wurde. Dies trifft auch dann zu, wenn Sie den Eindruck haben mit dem Gerät ist etwas nicht in Ordnung. Eine Nichtbeachtung dieser Empfehlung kann zu schweren Unfällen führen.

## ZUSAMMENBAU

Der Bohrhammer wird komplett montiert (mit Ausnahme des Zusatzhandgriffs) im Koffer oder Karton (je nach Ausführung) geliefert.

## I - Einführung

---

Das von Ihnen erworbene Elektrowerkzeug wird Ihre Erwartungen übersteigen. Es ist gemäß den hohen Qualitätsstandards von SPARKY hergestellt, die den strengen Anforderungen des Verbrauchers entsprechen. Einfach in der Bedienung und ungefährlich bei richtiger Handhabung, wird dieses Gerät bei bestimmungsgemäßem Gebrauch Ihnen lange Jahre zuverlässig dienen.

### WARNUNG!



Lesen Sie die ganze Originalbetriebsanleitung aufmerksam durch, bevor Sie das neu erworbene SPARKY - Elektrowerkzeug in Betrieb nehmen. Beachten Sie besonders die Texte, die mit den Wörtern „Warnung“ beginnen. Ihr SPARKY - Elektrowerkzeug besitzt viele Eigenschaften, die Ihre Arbeit erleichtern werden. Bei der Entwicklung dieses Elektrowerkzeuges ist höchste Aufmerksamkeit der Sicherheit, den Betriebseigenschaften und der Zuverlässigkeit gewidmet worden, die es einfach zur Wartung und Bedienung machen.



### Keine elektrischen Geräte zusammen mit dem Hausmüll wegwerfen!

Die Abfälle von elektrischen Erzeugnissen sollen nicht zusammen mit dem Hausmüll gesammelt werden. Für eine umweltgerechte Entsorgung geben Sie Ihren alten / defekten Elektrogeräte bitte in der nächsten kommunalen Sammelstelle ab.

### UMWELTSCHUTZ



Angesichts des Umweltschutzes sollen das Elektrowerkzeug, die Zubehörteile und die Verpackung einer geeigneten Wiederverwertung zugeführt werden. Zum sortenreinen Recycling sind die Teile, hergestellt aus Kunststoffen, entsprechend gekennzeichnet.

## BEDEUTUNG DER SYMBOLE

Auf dem Typenschild des Elektrowerkzeuges sind spezielle Symbole dargestellt. Sie stellen wichtige Information über das Produkt oder Instruktionen für seine Nutzung dar.



Doppelte Isolierung für zusätzlichen Schutz.



Entspricht den einschlägigen Europäischen Richtlinien.



Entspricht den Anforderungen der russischen normativen Dokumente.



Entspricht den Anforderungen der ukrainischen normativen Dokumenten.




Lesen Sie die Originalbetriebsanleitung.

YYYY-Www    Zeitabschnitt der Produktion, wobei die variablen Symbole sind:  
YYYY - Kalenderjahr der Produktion,  
Www - laufende Kalenderwoche.

BPR            Bohrhämmer.

## II - Technische Daten

<b>Modell</b>	<b>BPR 261E</b>
Nennaufnahme	820 W
Drehzahl im Leerlauf	
im Uhrzeigersinn	0-1300 min <sup>-1</sup>
entgegen dem Uhrzeigersinn	0-740 min <sup>-1</sup>
Elektronische Drehzahlregelung	ja
Drehrichtungswechsel	ja
Mechanische Sicherheitskupplung	ja
Bohrfutterspannbereich	1.5-13 mm
Max. Schlaganzahl	5450 min <sup>-1</sup>
Max. Bohrerdurchmesser:	
für Beton	26 mm
für Stahl	13 mm
für Holz	30 mm
Werkzeugaufnahme	SDS plus
Gewicht (EPTA Verfahren 01/2003)	3.1 kg
Schutzklasse (EN 60745-1) 	II
<b>GERÄUSCH- / VIBRATIONSINFORMATION</b>	
Messwerte ermittelt entsprechend EN 60745.	
<b>Geräuschemissionswerte</b>	
Der A-bewertete Schalldruckpegel L <sub>PA</sub>	90.0 dB (A)
Unsicherheit K <sub>PA</sub>	3.0 dB (A)
Der A-bewertete Schalleistungspegel L <sub>WA</sub>	101.0 dB (A)
Unsicherheit K <sub>WA</sub>	3.0 dB (A)
<b>Gehörschutz tragen!</b>	
<b>Schwingungsemissionswerte *</b>	
Schwingungsgesamtwerte (Vektorsumme dreier Richtungen) ermittelt entsprechend EN 60745:	
Hammerbohren in Beton	
Schwingungsemissionswert a <sub>r,HD</sub>	15.0 m/s <sup>2</sup>
Unsicherheit K <sub>HD</sub>	1.5 m/s <sup>2</sup>
Meißeln	
Schwingungsemissionswert a <sub>r,CHeq</sub>	11.5 m/s <sup>2</sup>
Unsicherheit K <sub>CHeq</sub>	1.5 m/s <sup>2</sup>
Bohren in Stahl	
Schwingungsemissionswert a <sub>r,D</sub>	6.5 m/s <sup>2</sup>
Unsicherheit K <sub>D</sub>	1.5 m/s <sup>2</sup>
* Vibrationsmesswerte ermittelt nach P. 6.2.7 EN 60745-1.	

Der in diesen Anweisungen angegebene Schwingungspegel ist entsprechend einem in EN 60745 genormten Messverfahren gemessen worden und kann für den Vergleich von Elektrowerkzeugen miteinander verwendet werden. Er eignet sich auch für eine vorläufige Einschätzung der Schwingungsbelastung.

Der angegebene Schwingungspegel repräsentiert die hauptsächlichsten Anwendungen des Elektrowerkzeugs. Wenn allerdings das Elektrowerkzeug für andere Anwendungen, mit abweichenden Einsatzwerkzeugen oder ungenügender Wartung eingesetzt wird, kann der Schwingungspegel abweichen. Dies kann die Schwingungsbelastung über den gesamten Arbeitszeitraum deutlich erhöhen.

Für eine genaue Abschätzung der Schwingungsbelastung sollten auch die Zeiten berücksichtigt werden, in denen das Gerät abgeschaltet ist oder zwar läuft, aber nicht tatsächlich im Einsatz ist. Dies kann die Schwingungsbelastung über den gesamten Arbeitszeitraum deutlich reduzieren.

Pflegen Sie das Gerät und die Einsatzwerkzeuge mit Sorgfalt. Halten Sie Ihre Hände warm während der Arbeit – dies wird die schädliche Einwirkung erhöhter Schwingungen reduzieren.

Stäube von Materialien wie bleihaltigem Anstrich, einigen Holzarten, Mineralien und Metall können gesundheitsschädlich sein. Berühren oder Einatmen der Stäube können allergische Reaktionen und/oder Atemwegserkrankungen des Benutzers oder in der Nähe befindlicher Personen hervorrufen. Bestimmte Stäube wie Eichen- oder Buchenstaub gelten als krebserzeugend, besonders in Verbindung mit Zusatzstoffen zur Holzbehandlung (Chromat, Holzschutzmittel). Asbesthaltiges Material darf nur von Fachleuten bearbeitet werden.

- Benutzen Sie möglichst eine Staubabsaugung.
  - Um bei der Arbeit mit diesem Elektrowerkzeug ein gutes Staubabfangen zu gewährleisten, benutzen Sie einen Staubabsauger, der für Holzstaub oder für Holz- und mineralischen Staub bestimmt ist.
  - Sorgen Sie für gute Belüftung des Arbeitsplatzes.
  - Es wird empfohlen, eine Atemschutzmaske mit Filterklasse P2 zu tragen.
- Beachten Sie in Ihrem Land gültige Vorschriften für die zu bearbeitenden Materialien.

### III - Allgemeine Sicherheitshinweise für Elektrowerkzeuge



**WARNUNG:** Lesen Sie alle Sicherheitshinweise und Anweisungen. Versäumnisse bei der Einhaltung der Sicherheitshinweise und Anweisungen können elektrischen Schlag, Brand und/oder schwere Verletzungen verursachen.

**Bewahren Sie alle Sicherheitshinweise und Anweisungen für die Zukunft auf.**

Der in den Sicherheitshinweisen verwendete Begriff „Elektrowerkzeug“ bezieht sich auf netzbetriebene Elektrowerkzeuge (mit Netzkabel) und auf akkubetriebene Elektrowerkzeuge (ohne Netzkabel).

#### 1) Arbeitsplatzsicherheit

- a) Halten Sie Ihren Arbeitsbereich sauber und gut beleuchtet. Unordnung oder unbeleuchtete Arbeitsbereiche können zu Unfällen führen.
- b) Arbeiten Sie mit dem Elektrowerkzeug nicht in explosionsgefährdeter Umgebung, in der sich brennbare Flüssigkeiten, Gase oder Stäube befinden. Elektrowerkzeuge erzeugen Funken, die den Staub oder die Dämpfe entzünden können.
- c) Halten Sie Kinder und andere Personen während der Benutzung des Elektrowerkzeugs fern. Bei Ablenkung können Sie die Kontrolle über das Gerät verlieren.

#### 2) Elektrische Sicherheit

- a) Der Anschlussstecker des Elektrowerkzeugs muss in die Steckdose passen. Der Stecker darf in keiner Weise ver-

ändert werden. Verwenden Sie keine Adapterstecker gemeinsam mit Schutzgeerdeten Elektrowerkzeugen. Unveränderte Stecker und passende Steckdosen verringern das Risiko eines elektrischen Schlages.

- b) Vermeiden Sie Körperkontakt mit geerdeten Oberflächen wie von Rohren, Heizungen, Herden und Kühlschränken. Es besteht ein erhöhtes Risiko durch elektrischen Schlag, wenn Ihr Körper geerdet ist.
- c) Halten Sie Elektrowerkzeuge von Regen oder Nässe fern. Das Eindringen von Wasser in ein Elektrowerkzeug erhöht das Risiko eines elektrischen Schlages.
- d) Zweckentfremden Sie das Kabel nicht, um das Elektrowerkzeug zu tragen, aufzuhängen oder um den Stecker aus der Steckdose zu ziehen. Halten Sie das Kabel fern von Hitze, Öl, scharfen Kanten oder sich bewegenden Geräteteilen. Beschädigte oder verwickelte Kabel erhöhen das Risiko eines elektrischen Schlages.
- e) Wenn Sie mit einem Elektrowerkzeug im Freien arbeiten, verwenden Sie nur Verlängerungskabel, die auch für den Außenbereich geeignet sind. Die Anwendung eines für den Außenbereich geeigneten Verlängerungskabels verringert das Risiko eines elektrischen Schlages.
- f) Wenn der Betrieb des Elektrowerkzeuges in feuchter Umgebung nicht vermeidbar ist, verwenden Sie einen Fehlerstromschutzschalter. Der Einsatz eines Fehlerstromschutzschalters vermindert das Risiko eines elektrischen Schlages.

#### 3) Sicherheit von Personen

- a) Seien Sie aufmerksam, achten Sie darauf, was Sie tun, und gehen Sie mit Vernunft an die Arbeit mit einem Elekt-



**rowerkzeug. Benutzen Sie kein Elektrowerkzeug, wenn Sie müde sind oder unter dem Einfluss von Drogen, Alkohol oder Medikamenten stehen. Ein Moment der Unachtsamkeit beim Gebrauch des Elektrowerkzeuges kann zu ernsthaften Verletzungen führen.**

- b) **Tragen Sie persönliche Schutzausrüstung und immer eine Schutzbrille. Das Tragen persönlicher Schutzausrüstung, wie Staubmaske, rutschfeste Sicherheitsschuhe, Schutzhelm oder Gehörschutz, je nach Art und Einsatz des Elektrowerkzeuges, verringert das Risiko von Verletzungen.**
- c) **Vermeiden Sie eine unbeabsichtigte Inbetriebnahme. Vergewissern Sie sich, dass das Elektrowerkzeug ausgeschaltet ist, bevor Sie es an die Stromversorgung und/oder den Akku anschließen, es aufnehmen oder tragen. Wenn Sie beim Tragen des Elektrowerkzeuges den Finger am Schalter haben oder das Gerät eingeschaltet an die Stromversorgung anschließen, kann dies zu Unfällen führen.**
- d) **Entfernen Sie Einstellwerkzeuge oder Schraubenschlüssel, bevor Sie das Elektrowerkzeug einschalten. Ein Werkzeug oder Schlüssel, der sich in einem drehenden Geräteteil befindet, kann zu Verletzungen führen.**
- e) **Vermeiden Sie eine abnormale Körperhaltung. Sorgen Sie für einen sicheren Stand und halten Sie jederzeit das Gleichgewicht. Dadurch können Sie das Elektrowerkzeug in unerwarteten Situationen besser kontrollieren.**
- f) **Tragen Sie geeignete Kleidung. Tragen Sie keine weite Kleidung oder Schmuck. Halten Sie Haare, Kleidung und Handschuhe fern von sich bewegenden Teilen. Lockere Kleidung, Schmuck oder lange Haare können von sich bewegenden Teilen erfasst werden.**
- g) **Wenn Staubabsaug- und -auffangeinrichtungen montiert werden können, vergewissern Sie sich, dass diese angeschlossen sind und richtig verwendet werden. Verwendung einer Staubabsaugung kann Gefährdungen durch Staub verringern.**

#### **4) Verwendung und Behandlung des Elektrowerkzeuges**

- a) **Überlasten Sie das Gerät nicht. Verwenden Sie für Ihre Arbeit das dafür bestimmte Elektrowerkzeug. Mit dem passenden Elektrowerkzeug arbeiten Sie**


*besser und sicherer im angegebenen Leistungsbereich.*

- b) **Benutzen Sie kein Elektrowerkzeug, dessen Schalter defekt ist. Ein Elektrowerkzeug, das sich nicht mehr ein- oder ausschalten lässt, ist gefährlich und muss repariert werden.**
- c) **Ziehen Sie den Stecker aus der Steckdose und/oder entfernen Sie den Akku, bevor Sie Geräteeinstellungen vornehmen, Zubehörteile wechseln oder das Gerät weglegen. Diese Vorsichtsmaßnahme verhindert den unbeabsichtigten Start des Elektrowerkzeuges.**
- d) **Bewahren Sie unbenutzte Elektrowerkzeuge außerhalb der Reichweite von Kindern auf. Lassen Sie Personen das Gerät nicht benutzen, die mit diesem nicht vertraut sind oder diese Anweisungen nicht gelesen haben. Elektrowerkzeuge sind gefährlich, wenn Sie von unerfahrenen Personen benutzt werden.**
- e) **Pflegen Sie Elektrowerkzeuge mit Sorgfalt. Kontrollieren Sie, ob bewegliche Teile einwandfrei funktionieren und nicht klemmen, ob Teile gebrochen oder so beschädigt sind, dass die Funktion des Elektrowerkzeuges beeinträchtigt ist. Lassen Sie beschädigte Teile vor dem Einsatz des Gerätes reparieren. Viele Unfälle haben ihre Ursache in schlecht gewarteten Elektrowerkzeugen.**
- f) **Halten Sie Schneidwerkzeuge scharf und sauber. Sorgfältig gepflegte Schneidwerkzeuge mit scharfen Schneidkanten verklemmen sich weniger und sind leichter zu führen.**
- g) **Verwenden Sie Elektrowerkzeug, Zubehör, Einsatzwerkzeuge usw. entsprechend diesen Anweisungen. Berücksichtigen Sie dabei die Arbeitsbedingungen und die ausführende Tätigkeit. Der Gebrauch von Elektrowerkzeugen für andere als die vorgesehenen Anwendungen kann zu gefährlichen Situationen führen.**


#### **5) Service**


- a) **Lassen Sie Ihr Elektrowerkzeug nur von qualifiziertem Fachpersonal und nur mit Original-Ersatzteilen reparieren. Damit wird sichergestellt, dass die Sicherheit des Elektrowerkzeuges erhalten bleibt.**

## IV – Zusätzliche Sicherheitshinweise für Arbeiten mit Bohrhämmern

 **Gehörschutz tragen.** *Das intensive Geräusch während der Arbeit kann Gehörschäden verursachen.*

▪ **Beim Arbeiten immer den Zusatzhandgriff verwenden.** *Ein Kontrollverlust kann zu schweren körperlichen Verletzungen führen.*

 **Beim Arbeiten persönliche Schutzausrüstung und immer eine Schutzbrille tragen.**

 **Bei stauberzeugenden Arbeiten, Unfallverhütungsvorschriften beachten!** *Einige Materialien können Giftstoffe enthalten. Tragen Sie eine Staubmaske. Das Verwenden von Staubabsaug- und Auffangeinrichtungen verringert die Gefährdung durch Staub.*

▪ **Halten Sie das Gerät nur an den isolierten Griffflächen, wenn Sie Arbeiten ausführen, bei denen das Einsatzwerkzeug verborgene Stromleitungen oder das eigene Netzkabel treffen kann.** *Der Kontakt mit einer spannungsführenden Leitung kann auch metallene Geräteteile unter Spannung setzen und zu einem elektrischen Schlag führen.*

▪ Asbestenthaltende Materialien nicht bearbeiten. Asbest gilt als krebserregend.



**WARNUNG:** Netzspannung beachten!

Vor Anschluss des elektrischen Geräts prüfen, ob die auf dem Typenschild angegebene Spannung der Netzspannung entspricht.

▪ Höhere Netzspannung als die auf dem Leistungsschild angegebene Spannung kann zu schweren Verletzungen von Personen und zu Schäden am Elektrowerkzeug führen.

▪ Sind Sie nicht sicher, stecken Sie nicht den Anschlussstecker des elektrischen Gerätes in die Steckdose ein.

▪ Netzspannung, die niedriger als die auf dem Leistungsschild angegebene Spannung ist, kann den Elektromotor beschädigen.

▪ Um eventuelle Überhitzung zu vermeiden, Verlängerungskabel immer von der Kabeltrommel abwickeln.

▪ Verwenden Sie nur Verlängerungskabel, die auch für das Elektrowerkzeug zugelassen sind. Kon-

trollieren Sie Verlängerungskabel regelmässig und ersetzen Sie sie, wenn sie beschädigt sind.



**WARNUNG:** Ziehen Sie den Stecker aus der Steckdose, bevor Sie Geräteeinstellungen oder Wartung vornehmen, Zubehörteile wechseln oder das Gerät weglegen.

▪ Beim Arbeiten halten Sie das elektrische Gerät mit beiden Händen fest. Sorgen Sie für einen sicheren Stand und halten Sie jederzeit das Gleichgewicht. Das Elektrowerkzeug wird sicher geführt, wenn man es mit beiden Händen festhält.

▪ Vorsicht vor verdeckt liegenden elektrischen Leitungen, Gas- und Wasserrohren! Beim Werkzeugkontakt mit verdeckt liegenden elektrischen Leitungen besteht das Risiko eines elektrischen Schlages. Die Beschädigung von Gasrohren kann zu einer Explosion führen. Das Durchbohren einer Wasserleitung kann zu Vermögensschaden oder Verletzungen durch elektrischen Schlag führen.

▪ Das Netzkabel ausserhalb des Arbeitsbereichs des Bohrhammers führen.

▪ Überzeugen Sie sich von der Unversehrtheit des Netzkabels und des Steckers. Ein beschädigtes Netzkabel nicht berühren und den Stecker aus der Steckdose ziehen, wenn das Kabel während der Arbeit beschädigt wird. Es besteht das sonst Risiko eines elektrischen Schlages.

▪ Sorgen Sie für einen sicheren Stand und halten Sie jederzeit das Gleichgewicht. Falls Sie mit dem Gerät auf einer Leiter arbeiten, überzeugen Sie sich, dass darunter niemand steht.

▪ Das zu bearbeitende Werkstück festspannen oder entsprechend sichern.

▪ Beim Arbeiten das Elektrowerkzeug immer fest mit beiden Händen halten. Bei Überlastung wird das Arbeitswerkzeug festklemmen. Klemmt das Arbeitswerkzeug fest, wird sein Antrieb von der integrierten mechanischen Sicherheitskupplung unterbrochen.

▪ Berühren Sie das Arbeitswerkzeug oder das bearbeitete Werkstück nicht gleich nach der Arbeit - es besteht die Gefahr vor Hautverbrennung.

▪ Halten Sie Ihren Arbeitsbereich sauber und aufgeräumt. Die Staubbmischung von unterschiedlichen Materialien ist gefährlich. Der Staub von Leichtmetallen kann brennen und zu Explosion führen.

- Lassen Sie keine Laschen, Schnüre, Leitungen oder Draht usw. im Arbeitsbereich.
- Schalten Sie die Maschine aus, bevor Sie sie weglegen.
- Verwenden Sie das elektrische Gerät entsprechend diesen Anweisungen und so, wie es für diesen speziellen Gerätetyp vorgeschrieben ist. Der Gebrauch von elektrischen Geräten für andere als die vorgesehenen Anwendungen kann zu gefährlichen Situationen führen. Die Verantwortung für jede Beschädigung oder Verletzung trägt in diesem Fall der Verbraucher und nicht der Hersteller.
- Um mit diesem elektrischen Gerät richtig umzugehen, müssen Sie die Sicherheitshinweise und die hier angegebenen allgemeinen Betriebsanleitungen berücksichtigen. Alle Anwender sind mit dieser Betriebsanleitung und den Sicherheitshinweisen bekanntzumachen. Bewahren Sie unbenutzte elektrische Geräte außerhalb der Reichweite von Kindern auf. Lassen Sie Personen das elektrische Gerät nicht benutzen, die mit diesem nicht vertraut sind oder diese Anweisungen nicht gelesen haben. Elektrische Geräte sind gefährlich, wenn sie von unerfahrenen Personen benutzt werden.
- Der Hersteller haftet nicht für jegliche eigenmächtige Veränderung am elektrischen Gerät und für die daraus folgenden Schäden.
- Arbeiten Sie mit dem elektrischen Gerät nicht im Freien und bei Regen, in explosionsgefährdeter Umgebung, in der sich brennbare Flüssigkeiten, Gase oder Staube befinden. Der Arbeitsplatz muss gut beleuchtet sein.

## V – Elemente des Elektrowerkzeugs

Bevor Sie mit dem Elektrowerkzeug zu arbeiten beginnen, lernen Sie alle operative Besonderheiten und Sicherheitshinweise kennen. Verwenden Sie das elektrische Gerät nur bestimmungsgemäß und unter Beachtung der allgemeinen Sicherheits- und Unfallverhütungsvorschriften. Jede andere Verwendung ist ausdrücklich verboten

1. Sicherungsschraube
2. Depot für SDS plus Bohrer
3. Adapter
4. Spindelhalbs
5. Fixator
6. Betriebsartenumschalter
7. Lüftungöffnungen

8. Anschlaglineal
  9. Zusatzgriff
  10. Drehrichtungsumschalthebel
  11. Elektronische Drehzahlregelung
  12. Ein-Aus-Schalter
  13. Schalterfeststellknopf
  14. Schiebepuchse
- III. Zahnkranzbohrfutter

## VI - Betriebshinweise

Dieses elektrische Gerät wird nur mit Einphasenwechselspannung betrieben. Es ist doppelt isoliert gemäß EN 60745-1 und IEC 60745 und darf an Steckdosen ohne Schutzklappen angeschlossen werden. Die Funkstörungen entsprechen der Richtlinie über die elektromagnetische Verträglichkeit 2004/108/EU.

Der Bohrhämmer ist zum Schlagbohren von Löchern in Beton, Gestein, Mauerwerk und anderen bröckeligen Materialien, sowie zum Bohren von Löchern in Stahl, Holz, Kunststoff u.a. bestimmt.

### BEVOR SIE DAS GERÄT IN BETRIEB SETZEN

- Prüfen Sie, ob die auf dem Leistungsschild angegebene Spannung der Netzspannung entspricht.
- Prüfen Sie die Position des Tippschalters. Das elektrische Gerät darf an die Netzspannung nur bei ausgeschaltetem Tippschalter angeschlossen werden. Wenn Sie das Gerät bei eingeschaltetem Tippschalter an die Steckdose anschließen, besteht die Voraussetzung für einen Unfall.
- Stellen Sie sicher, dass die Anschlussleitung und der Gerätestecker in gutem Zustand sind. Kontrollieren Sie regelmäßig die Anschlussleitung des elektrischen Gerätes und lassen Sie sie bei Beschädigung von qualifiziertem Fachpersonal oder von einer autorisierten Vertrags-Kundendienstwerkstatt erneuern.



**WARNING:** Ziehen Sie den Stecker aus der Steckdose, bevor Sie Geräteeinstellungen und Wartung vornehmen, Zubehörteile wechseln oder das Gerät weglegen.

- Wenn der Arbeitsbereich von der Steckdose entfernt ist, verwenden Sie möglichst kürzere Verlängerungskabel. Nur für den Aussenbereich zugelassene und entsprechend gekennzeichnete Verlängerungskabel verwenden.

- Prüfen Sie, ob der Zusatzhandgriff gut montiert und festgezogen ist.

## **EIN- UND AUSSCHALTEN**

### **Momentschaltung:**

- Einschalten: Ein-Aus-Schalter 12 drücken.
- Ausschalten: Ein-Aus-Schalter 12 loslassen.

### **Dauerschaltung:**

- Einschalten: Ein-Aus-Schalter 12 bei Rechtsstellung des Hebels 10 drücken und in gedrückter Stellung mit Feststellknopf 13 arretieren.
- Ausschalten: Ein-Aus-Schalter 12 kurzzeitig drücken und sofort loslassen.

## **STUFENLOSE ELEKTRONISCHE DREHZAHLEGEUNG**

Durch leichtes Drücken des Ein-Aus-Schalters 12 wird die Maschine mit niedrigen Drehzahlen angefahren. Die Drehzahl wird durch Verstärken des Drucks auf den Ein-Aus-Schalter stufenlos bis max. erhöht.

## **VORWAHL DER DREHZAHLE**

Die Drehzahl kann vorgewählt werden, indem das Stellrad 11 in Richtung "G" zur Erhöhung oder in Richtung "A" zur Senkung gedreht wird. Dadurch wird die optimale Betriebsregime zum Bohren in verschiedene Materialien – Metall, Beton u.a. – gesichert.

## **DREHRICHTUNGSWECHSEL**

Vor Bohrbeginn stets die Drehrichtung überprüfen.

Die Endstellung rechts des Hebels 10 bedeutet Drehen in Richtung Uhrzeigersinn, die Endstellung links - entgegengesetzt. Bei gedrücktem Ein-Aus-Schalter 12 kann der Hebel 10 nicht betätigt werden. Ein Drehrichtungswechsel kann nur bei Stillstand der Maschine erfolgen.

Bei Arbeiten mit Drehrichtung entgegengesetzt dem Uhrzeigersinn (Linksrotation) hat der Ein-Aus-Schalter einen begrenzten Hub und die Maschine läuft mit Drehzahlen von Stellung "A" bis "E" des Stellrads 11. Auch der Schalterfeststellknopf 13 funktioniert bis Stellung "E" des Stellrads.

## **BETRIEBSARTENUMSCHALTEN**

Das Umschalten der Betriebsarten soll nur in Ruhestand oder bei anhaltender Maschine erfolgen. Der Fixator 5 des Betriebsartenumschal-

ters 6 wird gedrückt, und der Umschalter wird gleichzeitig zur gewünschten Stellung gedreht:

- Bohren - Bohren von Löchern in Metall, Holz, Kunststoff u.a.
- Schlagbohren - Bohren von Löchern in Beton, Gestein u.a.
- Nuten - Nuten in Beton und Meisseln.
- Einstellen des Meissels (Symbol „Punkt“). Der Meissel wird in die gewünschte Position gestellt und fixiert.

## **EINSETZEN UND FESTSTELLEN EINES SDS PLUS BOHRERS**

Die äussere Haube des Depots 2 vollständig nach hinten ziehen. Den SDS plus Bohrer bis zum Anschlag einführen, wobei die Schlitz des Depots in die Kanäle seines Schaftes einrasten, danach die Haube loslassen, und der Bohrer klemmt fest. Durch einen Spezialmechanismus wird der Auswurf des Bohrers verhindert, wenn die o.g. Handhabungen nicht wiederholt werden.

## **EINSETZEN UND FESTSTELLEN EINES BOHRERS MIT ZYLINDERSCHAFT**

Den Adapter 3 ins Depot 2 auf die beschriebene Weise einsetzen. Das Zahnkranzbohrfutter III wird ins Adapter 3 eingedreht und mit der Sicherungsschraube 1 fixiert. In dieser Zusammensetzung kann das Gerät in Betriebsart "Bohrer" betrieben werden.

### **Bei Maschinen mit Zahnkranzbohrfutter**

Durch Drehen am Kranz des Bohrfutters III in Richtung Uhrzeigersinn oder entgegengesetzt bewegen sich die Backen zu einer solchen Stellung, dass der Bohrer zwischen ihnen eingeführt werden kann. Durch Drehen am Kranz des Bohrfutters III in Richtung Uhrzeigersinn wird der Schaft des Bohrers eingeklemmt. Durch den Bohrfutterschlüssel wird der Bohrer endgültig in dem Bohrfutter verspannt, wobei man gleichmässig an den drei Öffnungen anziehen soll.

### **Bei Maschinen mit Schnellspannbohrfutter**

Den hinteren Kranz festhalten und den vorderen Kranz drehen, bis sich das Bohrfutter genug geöffnet hat, um den Bohrer einzusetzen. Danach den vorderen Kranz mit der Hand festziehen, bis ein deutliches Klicken zu hören ist.

## DEMONTAGE DES BOHRFUTTERS

### **Bei Maschinen mit Zahnkranzbohrfutter**

Die Backen des Zahnkranzbohrfutters III so weit wie möglich öffnen und mit einem Schraubenzieher die Sicherungsschraube mit Linksgewinde lösen. Den Adapter 3 mit einem Schraubenschlüssel S17 fixieren. Den Bohrfutterschlüssel in eine der drei Öffnungen am Bohrfutter einsetzen und in Richtung entgegengesetzt dem Uhrzeigersinn drehen, indem der Schlüssel als Hebel benutzt wird, und so das Bohrfutter III aus dem Adapter entfernen.

### **Bei Maschinen mit Schnellspannbohrfutter**

Den hinteren Kranz festhalten und den vorderen Kranz drehen, bis sich das Bohrfutter völlig geöffnet hat. Mit einem Schraubenzieher die Sicherungsschraube mit Linksgewinde lösen. In das Bohrfutter einen Sechskantschlüssel oder den Einsatz zum Eindrehen von Schrauben, dessen freies Ende festgezogen werden soll, legen. Der Adapter 3 des Bohrhammers wird mit einem Schraubenschlüssel entgegen dem Uhrzeigersinn gedreht.

## EINSETZEN UND FESTSTELLEN EINES SDS-PLUS MEISSELS

Betriebsartenumschalter 6 in Stellung "Hammer" drehen. Die äussere Haube des Depots 2 nach hinten ziehen. Der Meißel wird bis zum Anschlag eingeführt, wobei darauf geachtet wird, das die Schlitz des Werkzeugfutters in die Nute des Werkzeugschafts passen und einrasten, dann wird das Werkzeugfutter losgelassen und der Werkzeug ist verriegelt.

Den Betriebsartenumschalter 6 zum Symbol „Punkt“ zum Einstellen des Meissels drehen. In dieser Stellung des Betriebsartenumschalters 6 kann der Meissel zur gewünschten Arbeitsposition gedreht werden. Danach den Betriebsartenumschalter 6 zur Fixierung auf Position "Hammer" drehen. Zum Meisseln soll der Betriebsartenumschalter 6 immer in Position "Hammer" sein.

## LÖSEN UND EINDREHEN VON SCHRAUBEN, BOLZEN UND MUTTERN

Im Bohrfutter III wird auf die oben beschriebene Weise ein Einsatz zum Lösen und Eindrehen von Schrauben, Bolzen oder Muttern eingesetzt. Der Betriebsartenumschalter 6 wird auf Position „Bohrer“ gestellt. Mit dem Hebel 10 zur Vorwahl der Drehrichtung wird die Operation Lösen und Anziehen gewählt. Dabei nur mit kleiner Drehzahl arbeiten.



**WARNUNG:** Vorsicht beim Eindrehen langer Bolzen und Schrauben. Abrutschgefahr.

## ZUSATZGRIFF

Der Zusatzgriff 9 wird am Hals 4 der Maschine eingedreht. Aus Sicherheitsgründen soll der Zusatzgriff 9 immer benutzt werden. Durch das Anschlaglineal wird die Bohrtiefe bestimmt.

Der zusätzliche Handgriff bei diesen Modellen ist am Gehäuse der Maschine mittels vibrationsdämpfender Elemente befestigt, was den Benutzer schützt und eine Ermüdung bei der Arbeit reduziert.

## DREHMOMENTBEGRENZUNG

Die Sicherheitskupplung der Maschine begrenzt das Drehmoment. Beim Betätigen der Sicherheitskupplung wird der Antrieb des Spindels unterbrochen und das Arbeitswerkzeug (der Bohrer) hält an sich zu drehen. Die Maschine sofort ausschalten, um ihre vorzeitige Abnutzung zu vermeiden.

## EMPFEHLUNGEN ZUR ARBEIT

Bei niedrigeren Temperaturen und bei langem Stillstand der Maschine lassen Sie sie zur Erwärmung zuerst eine gewisse Zeit leerlaufen. So verbessert sich die Schmierung. Schlagbohren ist unmöglich, wenn die Maschine nicht richtig erwärmt ist.

Bei Betonbohrung einen mäßigen Druck (ca. 80-100 N) anwenden! Der starke Druck steigert die Bohrleistung nicht, führt aber zur Verkürzung der Lebensdauer des Elektrowerkzeugs.

Werkzeugschaft vor dem Einsetzen reinigen und fetten. Von Zeit zu Zeit den Bohrer aus der Bohrung ziehen, um den Staub zu beseitigen. Auf die Abnutzung des Bohrers achten und ihn auswechseln, wenn eine wesentliche Absenkung der Leistungsfähigkeit festgestellt wird.

In linker Endstellung des Hebels 10 Betriebsarten "Schlagbohren" und "Hammer" nicht betätigen.

Bei Betriebsarten "Hammer" (Meisseln, Abbrechen) und "Schlagbohren", abhängig vom Material, kann die Schlagkraft abnehmen. Zur Wiederherstellung der höchsten Schlagkraft die Drehzahl der Maschine durch Abnehmen des Drucks auf den Ein-Aus-Schalter 12 reduzieren, bis ein stabiler Schlag erreicht wird.

Beim Bohren von Öffnungen mit großem Durchmesser in Metall bohren Sie zuerst eine Öffnung mit kleinerem Durchmesser.

Der optimale Bereich beim Bohren in Beton ist bis 16 mm, und der mögliche Bereich ist bis 26 mm.

Der Bohrhämmer ist passend für leichte Bearbeitungen mit Meißel. Nur durch das Benutzen von gut geschärften Werkzeugen (Meißeln) kann die Dauerhaftigkeit und hohe Produktivität des Bohrhammers gesichert werden.

## ZUBEHÖR ZUM BENUTZEN MIT DIESEM ELEKTROWERKZEUG

- Metallbohrer mit Durchmesser von Ø3 bis Ø13 mm
- Holzbohrer mit Durchmesser von Ø3 bis Ø30 mm
- Betonbohrer SDS plus mit Durchmesser von Ø3 bis Ø26 mm
- Bohrkronen SDS+ mit Durchmesser bis Ø65 mm
- Spitzmeißel SDS+ mit einer Länge bis 250 mm
- Flachmeißel SDS+ mit einer Breite bis 40 mm
- Kanalmeißel SDS+ mit einer Breite bis 22 mm
- Schrauberbits mit 6,35 mm (1/4")-Außensechskantschaft



**WARNUNG:** Zum Benutzen mit diesem Elektrowerkzeug wird das obengenannte Zubehör empfohlen. Der Gebrauch von anderem Zubehör als das vorgesehene kann zu gefährlichen Situationen führen. Das Zubehör nur bestimmungsgemäß anwenden. Falls Sie zusätzliche Information über das Zubehör brauchen, wenden Sie sich bitte an eine autorisierte SPARKY-Kundendienstwerkstatt.

## VII - Wartung



**WARNUNG:** Ziehen Sie den Stecker aus der Steckdose, bevor Sie eine Inspektion oder Wartung vornehmen.

## INSTANDHALTUNG

Prüfen Sie regelmäßig, ob alle Stützelemente fest angezogen sind. Falls eine Klemmschraube

gelöst ist, unverzüglich anziehen, um Risiken zu vermeiden.

Wenn die Anschlussleitung beschädigt ist, muss sie von einer autorisierten Vertrags-Kundendienstwerkstatt ausgetauscht werden.

## REINIGUNG

Pflegen Sie das elektrische Gerät und die Entlüftungsöffnungen mit Sorgfalt.

Zur sicheren Arbeit das Elektrowerkzeug und die Lüftungsschlitze stets sauber halten. Immer nach dem Arbeiten die Lüftungsschlitze und die Werkzeugaufnahme reinigen. Verwenden Sie eine weiche Bürste, um Staub zu entfernen. Tragen Sie eine Schutzbrille während der Reinigung. Reinigen Sie den Gerätekörper mit einem weichen, feuchten Tuch und leichtem Spülmittel.



**WARNUNG:** Die Verwendung von Spiritus, Benzin oder anderen Lösmitteln ist nicht zugelassen. Verwenden Sie keine ätzenden Reinigungsmittel für die Kunststoffteile.



**WARNUNG:** Das Eindringen von Wasser in das Elektrogerät ist nicht ratsam.

**ACHTUNG!** Um den sicheren und zuverlässigen Betrieb des Elektrowerkzeuges sicherzustellen, lassen Sie alle Geräteeinstellungen, Reparatur- und Wartungstätigkeiten (einschließlich der Inspektion und Instandsetzung der Kohlebürsten) von einer autorisierten SPARKY Vertrags-Kundendienstwerkstatt durchführen.

## VIII - Garantie

---

Die Garantiefrist der SPARKY-Elektrowerkzeuge wird im Garantieschein bestimmt.

Schäden, die auf natürliche Abnutzung, Überlastung oder unsachgemäße Handhabung zurückzuführen sind, bleiben von der Garantie ausgeschlossen.

Schäden, die durch Material- und/oder Herstellerfehler entstanden sind, werden unentgeltlich durch Ersatzlieferung oder Reparatur beseitigt. Beanstandungen bezüglich eines beschädigten SPARKY-Elektrowerkzeugs können nur anerkannt werden, wenn das Gerät unzerlegt (im ursprünglichen Zustand) dem Lieferanten oder der befugten Kundendienstwerkstatt vorgelegt wird.

## Hinweise

---

Lesen Sie sorgfältig die ganze Betriebsanweisung bevor Sie beginnen, das Erzeugnis zu verwenden.

Der Hersteller behält sich das Recht vor, Verbesserungen und Änderungen in seinen Erzeugnissen einzuführen und die Spezifikationen ohne Voranmeldung zu ändern.

Die Spezifikationen können sich in den verschiedenen Ländern unterscheiden.

# Sommaire

I – Introduction .....	22
II – Données techniques .....	24
III – Conditions générales de sécurité lors du travail avec les instruments électriques .....	25
IV – Instructions supplémentaires de sécurité lors du travail avec des perforateurs .....	26
V – Description de l'appareil électrique .....	A/28
VI – Instructions pour le travail .....	28
VII – Entretien .....	31
VIII – Garantie .....	32

## DEBALLAGE

Compte tenu des technologies généralement adoptées pour la production en grande série, il est peu probable que votre instrument électrique soit défectueux ou qu'il lui manque une pièce. Si toutefois vous remarquez que quelque chose ne va pas, n'utilisez pas l'instrument électrique avant le remplacement de la pièce défectueuse ou avant l'élimination du dysfonctionnement. Le non-respect de cette recommandation peut entraîner un grave accident.

## MONTAGE

Le marteau perforateur livré en coffret est entièrement assemblée.

Le marteau perforateur livré en boîte est assemblée sauf la poignée supplémentaire.

## I - Introduction

---

Votre nouvel outil a été conçu et produit selon tous les standards de qualité pour répondre aux exigences les plus élevées. Son exploitation est facile et sécurisée. Et avec une utilisation correcte il vous servira longtemps.

### AVERTISSEMENT!



Lire attentivement cette notice originale avant d'utiliser votre nouvel outil. Prêter attention aux sections «Avertissement». Votre outil électrique possède des caractéristiques qui facilitent votre travail.

Cet instrument a été conçu et produit selon toutes les exigences de sécurité pour que son usage et son entretien soient faciles.



### **Ne pas jeter les outils électroportatifs avec les ordures ménagères!**

Les déchets provenant d'outils électroportatifs ne doivent pas être ramassés avec les ordures ménagères. Prière de recycler sur les lieux qui y sont spécialement destinés. Contacter les autorités locales ou un représentant pour des consultations concernant le recyclage.

### RESPECT DE L'ENVIRONNEMENT



Récupération des matières premières plutôt qu'élimination des déchets. En vue à la protection de l'environnement, les appareils, comme d'ailleurs leurs accessoires et emballages, doivent pouvoir suivre chacun une voie de recyclage appropriée. Nos pièces en matières artificielles ont été marquées en vue d'un recyclage sélectif des différents matériaux.



## LÉGENDE

L'outil électrique porte une plaque décrivant les signes spéciaux. Ils apportent une information importante quant au produit ou des instructions d'utilisation.



Double isolation pour une meilleure sécurité.



Conforme aux directives européennes applicables.



En conformité avec les exigences des standards Russes.



En conformité avec les exigences des standards ukrainiens.




Lisez la notice originale.

YYYY-Www Période de production, où, les symboles variables sont les suivants :  
YYYY - année de production,  
Www – le numéro de la semaine du calendrier.

BPR Marteau perforateur.

## II - Données techniques

<b>Modèle</b>	<b>BPR 261E</b>
Puissance absorbée	820 W
Vitesse à vide	
rotation à droite	0-1300 min <sup>-1</sup>
rotation à gauche	0-740 min <sup>-1</sup>
Réglage électronique de la vitesse de rotation	oui
Inversion du sens de rotation	oui
Embrayage de sécurité	oui
Capacité de serrage du mandrin	1.5-13 mm
Percussion	5450 min <sup>-1</sup>
Diamètre maximal du foret:	
pour béton	26 mm
pour acier	13 mm
pour bois	30 mm
Fixation	SDS plus
Poids de l'outil (EPTA procédure 01/2003)	3.1 kg
Classe de protection (EN 60745-1) 	II

### INFORMATION CONCERNANT LE BRUIT ET LES VIBRATIONS

Valeurs mesurées conformément à EN 60745.

#### Emission de bruit

Le mesure réelle (A) de niveau de pression acoustique  $L_{pA}$  90.0 dB (A)

Incertitude  $K_{pA}$  3.0 dB (A)

Le mesure réelle (A) de niveau d'intensité acoustique  $L_{WA}$  101.0 dB (A)

Incertitude  $K_{WA}$  3.0 dB (A)

#### Porter une protection acoustique!

#### Informations sur les vibrations \*

Valeurs totales des vibrations (somme vectorielle de trois sens) établies conformément à EN 60745:

##### Perçage à percussion du béton

Valeur d'émission vibratoire  $a_{h,HD}$  15.0 m/s<sup>2</sup>

Incertitude  $K_{HD}$  1.5 m/s<sup>2</sup>

##### Cassage

Valeur d'émission vibratoire  $a_{h,CHeq}$  11.5 m/s<sup>2</sup>

Incertitude  $K_{CHeq}$  1.5 m/s<sup>2</sup>

##### Perçage en acier

Valeur d'émission vibratoire  $a_{h,D}$  6.5 m/s<sup>2</sup>

Incertitude  $K_D$  1.5 m/s<sup>2</sup>

\* Vibrations déterminées conformément au point 6.2.7 de EN 60745-1.

L'amplitude d' l'accélération indiquée dans ces instructions d'utilisation a été mesurée suivant les méthodes de mesurage conformément à la norme EN 60745 et peut être utilisée pour une comparaison d'appareils. Le niveau de vibration peut être utilisé pour faire une estimation provisoire du degré d'influence vibratoire.

Le niveau de vibration annoncé concerne la fonction principale de l'outil. Dans des cas où l'outil est destinée à une autre utilisation ou avec d'autres accessoires, ou s'il est mal entretenu, le niveau de vibration peut s'écarter de celui qui a été indiqué. Si c'est le cas, le degré d'influence peut fortement augmenter au cours de l'utilisation

Pour une estimation précise de l'influence vibratoire pendant un certain temps d'utilisation, il est recommandé de prendre aussi en considération les espaces de temps pendant lesquels l'appareil est éteint ou sous tension, mais pas vraiment utilisé. Ceci peut réduire considérablement l'influence vibratoire pendant toute la durée du travail.

Entretenez l'outil et ses accessoires en bon état. Gardez vos mains chaudes au cours de son utilisation - cela va diminuer les conséquences négatives lorsque vous travaillez à des hauts degrés de vibrations.

Les poussières de matériaux tels que peintures contenant du plomb, certains bois, minéraux ou métaux, peuvent être nuisibles à la santé. Toucher ou aspirer les poussières peut entraîner des réactions allergiques et/ou des maladies respiratoires auprès de l'utilisateur ou de personnes se trouvant à proximité.

Certaines poussières telles que les poussières de chêne ou de hêtre sont considérées cancérigènes, surtout en connexion avec des additifs pour le traitement de bois (chromate, lazure). Les matériaux contenant de l'amiante ne doivent être travaillés que par des personnes qualifiées.

- Si possible, utilisez une aspiration des poussières.
  - Afin d'atteindre un haut degré d'aspiration de la poussière, lors du travail avec cet outil électroportatif utilisez un aspirateur spécialement adapté pour l'aspiration de poussière de bois ou pour l'aspiration de poussière de bois et/ou poussière de minéraux.
  - Veillez à bien aérer la zone de travail.
  - Il est recommandé de porter un masque respiratoire de la classe de filtre P2.
- Respectez les règlements en vigueur dans votre pays spécifiques aux matériaux à traiter.

### III - Avertissements de sécurité généraux pour l'outil



**AVERTISSEMENT!** Lire tous les avertissements de sécurité et toutes les instructions. Ne pas suivre les avertissements et instructions peut donner lieu à un choc électrique, un incendie et/ou une blessure sérieuse.

**Conserver tous les avertissements et toutes les instructions pour pouvoir s'y reporter ultérieurement.**

Le terme «outil» dans les avertissements fait référence à votre outil électrique alimenté par le secteur (avec cordon d'alimentation) ou votre outil fonctionnant sur batterie (sans cordon d'alimentation).

#### 1) Sécurité de la zone de travail

- a) **Conserver la zone de travail propre et bien éclairée.** Les zones en désordre ou sombres sont propices aux accidents.
- b) **Ne pas faire fonctionner les outils électriques en atmosphère explosive, par exemple en présence de liquides inflammables, de gaz ou de poussières.** Les outils électriques produisent des étincelles qui peuvent enflammer les poussières ou les fumées.
- c) **Maintenir les enfants et les personnes présentes à l'écart pendant l'utilisation de l'outil.** Les distractions peuvent vous faire perdre le contrôle de l'outil.

#### 2) Sécurité électrique

- a) **Il faut que les fiches de l'outil électrique soient adaptées au socle. Ne jamais mo-**

**difier la fiche de quelque façon que ce soit. Ne pas utiliser d'adaptateurs avec des outils à branchement de terre.** Des fiches non modifiées et des socles adaptés réduiront le risque de choc électrique.

- b) **Eviter tout contact du corps avec des surfaces reliées à la terre telles que les tuyaux, les radiateurs, les cuisinières et les réfrigérateurs.** Il existe un risque accru de choc électrique si votre corps est relié à la terre.
  - c) **Ne pas exposer les outils à la pluie ou à des conditions humides.** La pénétration d'eau à l'intérieur d'un outil augmentera le risque de choc électrique.
  - d) **Ne pas maltraiter le cordon. Ne jamais utiliser le cordon pour porter, tirer ou débrancher l'outil. Maintenir le cordon à l'écart de la chaleur, du lubrifiant, des arêtes ou des parties en mouvement.** Des cordons endommagés ou emmêlés augmentent le risque de choc électrique.
  - e) **Lorsqu'on utilise un outil à l'extérieur, utiliser un prolongateur adapté à l'utilisation extérieure.** L'utilisation d'un cordon adapté à l'utilisation extérieure réduit le risque de choc électrique.
  - f) **Si l'usage d'un outil dans un emplacement humide est inévitable, utiliser une alimentation protégée par un dispositif à courant différentiel résiduel (RCD).** L'usage d'un RCD réduit le risque de choc électrique.
- #### 3) Sécurité des personnes
- a) **Rester vigilant, regarder ce que vous êtes en train de faire et faire preuve de bon sens dans votre utilisation de l'outil. Ne pas utiliser un outil lorsque vous êtes fatigué ou sous l'emprise de drogues, d'alcool ou de médicaments.**

*Un moment d'inattention en cours d'utilisation d'un outil peut entraîner des blessures graves des personnes.*

- b) **Utiliser un équipement de sécurité. Toujours porter une protection pour les yeux.** *Les équipements de sécurité tels que les masques contre les poussières, les chaussures de sécurité antidérapantes, les casques ou les protections acoustiques utilisés pour les conditions appropriées réduiront les blessures de personnes.*
- c) **Éviter tout démarrage intempestif. S'assurer que l'interrupteur est en position arrêt avant de brancher l'outil au secteur et/ou au bloc de batteries, de le ramasser ou de le porter.** *Porter les outils en ayant le doigt sur l'interrupteur ou brancher des outils dont l'interrupteur est en position marche est source d'accidents.*
- d) **Retirer toute clé de réglage avant de mettre l'outil en marche.** *Une clé laissée fixée sur une partie tournante de l'outil peut donner lieu à des blessures de personnes.*
- e) **Ne pas se précipiter. Garder une position et un équilibre adaptés à tout moment.** *Cela permet un meilleur contrôle de l'outil dans des situations inattendues.*
- f) **S'habiller de manière adaptée. Ne pas porter de vêtements amples ou de bijoux. Garder les cheveux, les vêtements et les gants à distance des parties en mouvement.** *Des vêtements amples, des bijoux ou les cheveux longs peuvent être pris dans des parties en mouvement.*
- g) **Si des dispositifs sont fournis pour le raccordement d'équipements pour l'extraction et la récupération des poussières, s'assurer qu'ils sont connectés et correctement utilisés.** *Utiliser des collecteurs de poussière peut réduire les risques dus aux poussières.*

#### **4) Utilisation et entretien de l'outil**

- a) **Ne pas forcer l'outil. Utiliser l'outil adapté à votre application.** *L'outil adapté réalisera mieux le travail et de manière plus sûre au régime pour lequel il a été construit.*
- b) **Ne pas utiliser l'outil si l'interrupteur ne permet pas de passer de l'état de marche à arrêt et vice versa.** *Tout outil qui ne peut pas être commandé par l'interrupteur est dangereux et il faut le réparer.*
- c) **Débrancher la fiche de la source d'alimentation en courant et/ou le bloc de batteries de l'outil avant tout réglage, changement d'accessoires ou avant de**

**ranger l'outil.** *De telles mesures de sécurité préventives réduisent le risque de démarrage accidentel de l'outil.*

- d) **Conserver les outils à l'arrêt hors de la portée des enfants et ne pas permettre à des personnes ne connaissant pas l'outil ou les présentes instructions de le faire fonctionner.** *Les outils sont dangereux entre les mains d'utilisateurs novices.*
- e) **Observer la maintenance de l'outil. Vérifier qu'il n'y a pas de mauvais alignement ou de blocage des parties mobiles, des pièces cassées ou toute autre condition pouvant affecter le fonctionnement de l'outil. En cas de dommages, faire réparer l'outil avant de l'utiliser.** *De nombreux accidents sont dus à des outils mal entretenus.*
- f) **Garder affûtés et propres les outils permettant de couper.** *Des outils destinés à couper correctement entretenus avec des pièces coupantes tranchantes sont moins susceptibles de bloquer et sont plus faciles à contrôler.*
- g) **Utiliser l'outil, les accessoires et les lames etc., conformément à ces instructions, en tenant compte des conditions de travail et du travail à réaliser.** *L'utilisation de l'outil pour des opérations différentes de celles prévues pourrait donner lieu à des situations dangereuses.*

#### **5) Maintenance et entretien**

- a) **Faire entretenir l'outil par un réparateur qualifié utilisant uniquement des pièces de rechange identiques.** *Cela assurera que la sécurité de l'outil est maintenue.*

## **IV – Instructions supplémentaires de sécurité lors du travail avec des marteaux perforateurs**



**Portez des protecteurs auditifs lors d'un travail prolongé.** *Le bruit intensif émis lors du travail peut entraîner des troubles de l'audition.*

- **Utilisez toujours la poignée auxiliaire fournie avec l'appareil.** *La perte de contrôle peut entraîner un accident du travail.*



**Pendant le travail, utilisez des dispositifs pour la protection des yeux contre les fragments volants. Portez des lunettes de protection.**



**Prenez des mesures qui vous éviteront l'inhalation de poussières. Certains matériaux peuvent contenir des composants toxiques. Portez donc un masque protégeant de la poussière. Utilisez un dispositif pour l'élimination de la poussière s'il est possible de raccorder celui-ci à l'instrument électrique.**

- **Tenir l'outil uniquement par les surfaces de préhension isolantes, pendant les opérations au cours desquelles l'accessoire coupant peut être en contact avec des conducteurs cachés ou avec son propre câble. Le contact de l'accessoire coupant avec un fil „sous tension” peut également mettre „sous tension” les parties métalliques exposées de l'outil électrique et provoquer un choc électrique sur l'opérateur.**
- Ne traitez pas les matériaux qui contiennent de l'amiante. L'amiante est considérée comme une matière cancérogène.



**AVERTISSEMENT:** Avant de brancher l'outil électrique dans le réseau d'alimentation électrique, assurez-vous que la tension de celui-ci est bien celle indiquée sur la plaque contenant les caractéristiques techniques de l'outil.

- Une source de courant à tension plus élevée que celle indiquée pour l'appareil peut causer à l'opérateur de sérieux dommages dus au courant électrique et en outre endommager l'outil.
- Si vous avez des hésitations à ce sujet, ne branchez pas l'appareil au réseau électrique.
- L'utilisation d'une source d'alimentation à tension plus basse que celle indiquée sur la plaque de l'appareil électrique endommagera le moteur électrique.
- Afin d'éviter une éventuelle surchauffe, déroulez toujours jusqu'au bout le câble de rallonge à dérouleur.
- Lorsqu'il est nécessaire d'utiliser une rallonge, assurez-vous que la section du câble est conforme à la force du courant consommé par l'appareil électrique utilisé et que la rallonge est en parfait état.



**AVERTISSEMENT:** Arrêtez toujours l'appareil électrique et débranchez-le du réseau avant d'effectuer sur celui-ci tout réglage et opération de service ou d'entretien.

- Pendant le travail, serrez toujours solidement l'appareil avec les deux mains et tenez votre corps en position stable. L'appareil est guidé d'une manière plus sécurisée lorsqu'on le tient des deux mains.
- Avant le début des travaux, vérifiez à l'aide d'un détecteur de métaux approprié s'il n'y a pas un réseau électrique, une conduite de gaz ou une conduite d'eau invisibles de l'extérieur ou adressez-vous à ce sujet aux services locaux respectifs. Le contact du foret avec une installation électrique invisible peut entraîner l'électrocution. Un dommage apporté à une conduite de gaz peut entraîner une explosion. En perçant une conduite d'eau, on peut endommager la propriété ou subir une électrocution.
- Tenez le câble d'alimentation électrique de l'appareil à l'écart de l'aire de travail de celui-ci.
- N'utilisez pas l'appareil électrique lorsque son câble est endommagé. Ne touchez pas le câble endommagé et débranchez la fiche de la prise si le câble vient à subir un dommage dans le courant du travail. Les câbles endommagés augmentent le risque d'électrocution.
- Gardez toujours votre corps dans un équilibre stable. Lorsque vous travaillez avec l'appareil à un endroit élevé, assurez-vous qu'au-dessous de vous il n'y a personne.
- Fixez la pièce traitée à l'aide d'un étai ou d'une autre manière convenable.
- Faites attention au couple d'inertie lors de la mise en marche de l'appareil ou si le foret vient à se coincer dans la pièce traitée. Arrêtez immédiatement l'appareil si le foret vient à se coincer. Soyez attentif, car un couple d'inertie élevé peut provoquer une force de rappel. Le foret risque de bloquer si vous surchargez l'appareil ou si le foret se coince dans la pièce traitée.
- Ne touchez pas le foret ou la pièce traitée immédiatement après la fin du travail. Ils peuvent être très chauds et vous risquez de vous brûler.
- Entretenez propre le lieu de travail. Le mélange de poussières de différents matériaux est extrêmement dangereux. Les poussières de métaux légers peuvent brûler ou provoquer une explosion.

- Ne laissez jamais traîner à proximité du lieu de travail des chiffons, des fils électriques ou des fils de fer.
- Débranchez toujours l'appareil avant de le mettre de côté.
- L'appareil doit être utilisé uniquement pour les travaux pour lesquels il a été prévu. Toute autre utilisation, différente que celle décrite dans la présente instruction, doit être considérée comme abusive. Le producteur décline toute responsabilité en cas de dommage ou de blessure causée par une utilisation abusive, cette responsabilité étant alors entièrement assumée par l'utilisateur.
- Afin de utiliser l'appareil correctement, vous devez respecter les règles de sécurité, les consignes générales et celles concernant l'exploitation qui figurent dans le présent document. Tous les utilisateurs doivent avoir pris connaissance de cette instruction d'utilisation et être informés sur les risques potentiels lors du travail avec l'appareil électrique. Les enfants et les personnes ne possédant pas la force physique nécessaire ne doivent pas utiliser l'appareil. Les enfants se trouvant dans la zone de travail doivent être sous une surveillance incessante. Il est indispensable que vous preniez également des mesures de sécurité préalables. Ceci est également valable pour les principales consignes concernant la salubrité et la sécurité du travail.
- Le producteur décline toute responsabilité en cas de modifications apportées à l'appareil électrique ou de dommages provoqués par ces modifications.
- L'appareil électrique ne doit pas être utilisé à l'extérieur lorsqu'il pleut, dans un milieu humide (après la pluie) ou à proximité de liquides et de gaz facilement inflammables. Le lieu de travail doit être bien éclairé.

## V – Présentation de l'appareil électrique

---

Avant de commencer le travail avec l'appareil électrique, prenez connaissance des particularités de son fonctionnement et des conditions de sécurité à respecter.

L'appareil et ses accessoires doivent être utilisés uniquement pour les travaux pour lesquels ils ont été prévus. Toute autre utilisation est strictement interdite.

1. Vis d'arrêt
  2. Nez pour forets SDS plus
  3. Adaptateur
  4. Col du perforateur
  5. Fixateur
  6. Sélecteur du régime de fonctionnement
  7. Ouïes de ventilation
  8. Butée de profondeur
  9. Poignée auxiliaire
  10. Inverseur du sens de rotation
  11. Régulateur électronique de la vitesse de rotation
  12. Interrupteur
  13. Bouton de blocage de l'interrupteur
  14. Douille de dégagement
- III. Mandrin à trois mors

## VI – Instructions pour le travail

---

Cet appareil électrique est alimenté uniquement par un courant alternatif monophasé. Il possède une double isolation, conformément à EN 60745-1 et IEC 60745 et peut être branché à des prises qui ne possèdent pas de bornes de protection. Les brouillages radiophoniques sont conformes à la Directive de conformité électromagnétique 2004/108/EC.

Le perforateur est destiné au percement à percussion d'ouvertures dans le béton, la pierre, la maçonnerie, ainsi que dans d'autres matériaux fragiles, et pour le percement d'ouvertures dans l'acier, le bois, le plastique, etc.

### AVANT LE DEBUT DU TRAVAIL

---

- Assurez-vous que la tension du secteur correspond à celle indiquée sur la plaquette contenant les données techniques de l'instrument.
- Vérifiez la position de l'interrupteur. L'appareil doit être toujours branché et débranché du secteur interrupteur on position OFF. Si vous branchez l'appareil au secteur lorsque son interrupteur est en position de marche, l'appareil se mettra immédiatement à fonctionner, ce qui crée un danger d'accident.
- Assurez-vous que le câble d'alimentation électrique et sa fiche sont en parfait état. Si le câble d'alimentation est endommagé, il doit être remplacé par le producteur ou un spécialiste agréé par celui-ci afin d'éviter les éventuels risques liés à son remplacement.



**AVERTISSEMENT:** Arrêtez toujours l'appareil et débranchez-le du réseau avant d'effectuer sur celui-ci tout réglage et opération de service ou d'entretien..

- Si la zone de travail est éloignée de la prise de courant, utilisez une rallonge aussi courte que possible, à section du câble appropriée.
- Vérifiez si la poignée auxiliaire est correctement montée et bien serrée.

## MARCHE - ARRÊT

### Fonctionnement à arrêt instantané

- Mise en marche: Appuyer sur l'interrupteur 12.
- Arrêt: Relâcher l'interrupteur 12.

### Fonctionnement permanent

- Mise en marche: Appuyer sur l'interrupteur 12 quand le levier 10 se trouve en position droite et le bloquer par le bouton 13.
- Arrêt: Appuyer une fois sur l'interrupteur 12 et le relâcher immédiatement.

## RÉGLAGE ÉLECTRONIQUE SANS GRADES DE LA VITESSE

Un appui léger sur l'interrupteur 12 met en marche le perforateur sur une vitesse basse, qui augmente progressivement pour atteindre sa valeur maximale avec l'augmentation de l'appui sur l'interrupteur jusqu'à sa position définitive.

## SÉLECTION DE LA VITESSE

Sélectionner d'avance la vitesse de rotation voulue en faisant tourner le disque du sélecteur 11 dans le sens G pour obtenir l'augmentation de la vitesse, respectivement dans le sens A pour la baisser, ceci dans le but d'assurer un régime optimal de perçage dans des matériaux différents - métal, béton etc.

## INVERSION DU SENS DE ROTATION

Avant de procéder au perçage vérifier obligatoirement la direction de rotation.

La position droite du levier 10 indique une rotation dans le sens des aiguilles d'une montre, la position gauche - dans le sens inverse. L'appui sur l'interrupteur 12 ne permet pas d'actionner le sélecteur de sens de rotation 10. Le changement du sens de rotation ne s'effectue que lorsque la machine est à l'arrêt.

Quand on travaille avec l'arbre moteur tournant contre les aiguilles d'horloge (à gauche) la course du bouton d'interrupteur est limitée et on ne peut l'utiliser qu'en positions de "A" jusqu'à "E" du régulateur électronique 11. De même, le bouton de blocage fonctionne jusqu'à la position "E".

## SÉLECTION DES RÉGIMES DE FONCTIONNEMENT

Le changement du régime de travail doit être effectué successivement, la machine étant à l'arrêt ou à vitesse minimale.

Appuyer sur le bouton de fixation 5 du commutateur des régimes de fonctionnement 6, qui, en même temps, doit être mis dans la position voulue:

- perçage - perçage béton, bois, matière plastique etc.
- perçage en percussion - perçage béton, pierre etc.
- ciselage- ciselage de rainures dans le béton et brise-béton.
- réglage du burin - pour obtenir un fonctionnement aisé, ajuster et fixer le burin dans la position voulue.

## MISE EN PLACE ET SERRAGE DU FORET SDS PLUS

Reculer entièrement en arrière la collerette externe du nez 2 (bague orange). Introduire le foret SDS plus en faisant attention à ce que les cannelures internes du nez s'engagent dans les rainures de la queue du foret, après quoi relâcher la collerette et le foret se trouve bloqué. Un dispositif spécial empêche le démontage du foret sans que les opérations susmentionnées n'aient pas été répétées.

## MISE EN PLACE ET SERRAGE DANS LE MANDRIN DU FORET À QUEUE CYLINDRIQUE SIMPLE

Poser l'adaptateur 3 dans la douille 2 suivant les instructions ci-dessus. Visser le mandrin à trois mâchoires III sur l'adaptateur et le fixer avec le vis de blocage 1. Le perforateur ainsi équipé peut travailler comme perceuse ("foret")

### Machines à mandrin à trois mors:

En faisant tourner la couronne du mandrin III dans le sens des aiguilles d'une montre ou dans le sens inverse, écarter les mors afin de pouvoir y introduire la queue du foret. En faisant tourner la couronne du mandrin III dans le sens

des aiguilles d'une montre, les mors enserrant la queue du foret. Achever le blocage du foret dans le mandrin à l'aide de la clé spéciale par le serrage également dans chacune des trois ouvertures du mandrin.

#### **Machines à mandrin à serrage rapide:**

Retenir la couronne arrière en faisant tourner la couronne avant jusqu'au degré nécessaire d'ouverture du mandrin pour le montage du foret. Le serrage à la main de la couronne avant est normalement accompagné d'un dé clic bien délimité.

### **DÉMONTAGE DU MANDRIN**

#### **MACHINES À MANDRIN À TROIS MORS:**

Ouvrir entièrement les mors du mandrin III et dévisser le vis d'arrêt au filet à gauche à l'aide d'un tournevis. Fixer l'adaptateur 3 du perforateur à l'aide de la clé S17. Appliquer la clé spéciale pour le serrage du mandrin dans un des trois orifices du mandrin et faire tourner le mandrin dans le sens inverse des aiguilles d'une montre, en se servant de la clé comme d'un levier, dévisser le mandrin III de l'adaptateur.

#### **Machines à mandrin à serrage rapide:**

Retenir la couronne arrière en faisant tourner la couronne avant jusqu'à l'ouverture complète du mandrin. Dévisser le vis d'arrêt au filet à gauche à l'aide d'un tournevis. Fixer une clé hexagonale ou le dispositif de vissage dans le mandrin et serrer le bout libre. Tenir l'adaptateur 3 de la perforatrice avec une clé plate et faire tourner dans le sens inverse des aiguilles d'une montre.

#### **MISE EN PLACE ET SERRAGE DU TRÉPAN À QUEUE SDS PLUS**

Tourner le sélecteur des régimes de travail 6 en position "marteau". Réculer en arrière la collette externe du nez 2. Enfoncer la burin jusqu'à butée, en ajustant les rainures du support dans les cannelures de sa queue; ensuite relâcher le support et fixer le burin.

Orienter le commutateur 6 vers le symbole "point" pour l'ajustage du burin. Dans cette position du sélecteur 6 le trépan peut être tourné dans la position voulue de travail, ensuite placer le sélecteur 6 en position "marteau" et le fixer. Pour travailler avec un trépan il est nécessaire de mettre le sélecteur 6 toujours en position "marteau".

### **VISSAGE / DÉVISSAGE DE BOULONS, DE VIS, D'ÉCROUS**

Serrer le dispositif de vissage / dévissage de boulons, de vis ou d'écrous dans le mandrin III suivant la manière décrite ci-dessus. Orienter le commutateur des régimes de fonctionnement 6 vers le symbole "foret". Choisir l'opération de vissage ou de dévissage à l'aide du levier 10 qui effectue le changement du sens de rotation. Effectuer toutes les opérations uniquement sur une vitesse suffisamment basse.



**AVERTISSEMENT:** Aux risques de dérapage lors de la pose de vis et de boulons longs.

### **POIGNÉE AUXILIAIRE**

La poignée auxiliaire 9 est fixée sur le collier 4 du perforateur. Vu la sûreté de travail il est souhaitable d'utiliser toujours la poignée auxiliaire 9. La profondeur de perçage peut être fixée à l'aide de la butée de profondeur 8.

La poignée auxiliaire de ces modèles est reliée au boîtier de la machine moyennant des dispositifs qui amortissent les vibrations, ce qui protège l'opérateur et réduit sa fatigue engendrée par le travail.

### **LIMITATION DU COUPLE MOTEUR**

L'embrayage de protection sert à limiter le couple moteur. L'enclenchement de l'embrayage coupe la transmission du couple vers l'arbre moteur et l'instrument (le foret) cesse à tourner. Il faut déclencher la machine tout de suite afin d'éviter l'usure prématurée.

### **RECOMMANDATIONS POUR LE TRAVAIL**

Si les températures ambiantes sont trop basses ou bien la machine n'a pas été utilisée pendant une période prolongée il faut laisser la machine tourner au ralenti pour un certain temps afin de la laisser se réchauffer et ainsi améliorer la lubrification. Le perçage à coups est impossible quand la machine n'a pas été chauffée normalement.

Pour percer le béton appliquer une pression modérée (80-100 N env.). Une pression excessive n'ajoute rien à la productivité de perçage mais réduit la longévité de la perceuse.



Avant de mettre l'instrument dans le mandrin nettoyer et graisser sa queue. De temps en temps sortir le foret du trou afin d'éliminer les débris. Observer l'érousement du foret et le remplacer en cas de diminution significative de ses performances.

Il est interdit d'utiliser les régimes "perçage à coups" et "marteau" quand le levier 10 se trouve en position extrême gauche.

Pendant le travail en régime "marteau" (mortaisage, démolition) ou en "perçage à coups" en certains cas et pour certains matériaux la force des coups peut diminuer considérablement. Afin de rétablir la force de frappe il est nécessaire de ralentir la machine en diminuant l'appui sur le bouton de l'interrupteur 12 jusqu'à la constatation des coups forts et stables.

En cas de perçage de trous de grands diamètres dans du métal, percer d'abord un trou de diamètre inférieur au définitif.

Le diamètre optimum de perçage est 16 mm, le diamètre maximum est 26 mm.

Le perforateur est utilisable pour un traitement superficiel avec burin. Pour obtenir un fonctionnement aisé, ajuster et fixer le burin dans la position voulue. La longévité et la haute productivité ne peuvent être atteintes que par l'utilisation d'instruments de creusage (burins) bien aiguisés.

### **ACCESSOIRES POUVANT ETRE UTILISES AVEC CET OUTIL ELECTRIQUE**

- Forets pour acier avec diamètre de Ø3 mm à Ø13 mm
- Forets pour bois avec diamètre de Ø3 mm à Ø30 mm
- Forets pour béton SDS plus avec diamètre de Ø3 mm à Ø26 mm
- Couronnes SDS+ avec diamètre max Ø65 mm
- Poinçons SDS+ avec longueur max 250 mm
- Burins SDS+ avec largeur max 40 mm
- Trépans pour rainures SDS+ avec largeur max 22 mm
- Embouts à six pans 6.35 mm (1/4") pour visser les vis



**AVERTISSEMENT:** Pour le travail avec cet appareil, il est recommandé d'utiliser les accessoires ou dispositifs mentionnés ci-dessus. L'utilisation d'accessoires ou de dispositifs autres que ceux qui sont recommandés crée des conditions pouvant conduire à un accident du travail. Utilisez les accessoires ou les dispositifs uniquement comme prévu. Pour toute information supplémentaire concernant ces accessoires, adressez-vous à l'atelier local de SPARKY.

## **VII – Entretien**



**AVERTISSEMENT:** Arrêtez toujours l'appareil électrique et débranchez sa fiche de la prise de courant avant toute opération de vérification ou d'entretien.

### **EXAMEN GENERAL**

Vérifiez régulièrement tous les éléments de fixation et assurez-vous qu'ils sont solidement serrés. Si quelque vis s'est desserrée, resserrez-la immédiatement afin d'éviter tout risque.

Si le câble d'alimentation est endommagé, son remplacement doit être effectué par le constructeur ou par un spécialiste agréé par celui-ci, afin que soit évité tout risque résultant de ce remplacement.

### **NETTOYAGE**

Pour assurer un travail sécurisé, entretenez toujours la machine et ses orifices de ventilation propres.

Vérifiez régulièrement si dans la grille de ventilation à proximité du moteur électrique ou autour des commutateurs n'ont pas pénétré de la poussière ou des corps étrangers. Utilisez une brosse douce pour éliminer la poussière accumulée. Pour protéger vos yeux, portez des lunettes de protection lors du nettoyage.

Si le boîtier de la machine a besoin d'être nettoyé, essuyez-le à l'aide d'un chiffon mou humide. Vous pouvez utiliser un détergent non agressif.



**AVERTISSEMENT:** Il est interdit d'utiliser de l'alcool, de l'essence ou d'autres solvants. N'utilisez jamais de produits agressifs pour nettoyer les pièces en matière plastique.



**AVERTISSEMENT:** Il est inacceptable que de l'eau entre en contact avec la machine.

**IMPORTANT!** Pour assurer un travail sécurisé avec l'appareil électrique et la longévité de celui-ci, tous les travaux de réparation, d'entretien et de réglage (y compris la vérification et le remplacement des balais) doivent être effectués dans les ateliers agréés de SPARKY avec l'utilisation exclusive de pièces de rechange d'origine.

## VIII - Garantie

---

La période de garantie des outils électroportatifs SPARKY est définie dans le contrat de garantie. La garantie ne couvre pas les pannes apparues suite à l'usure naturelle, une surcharge ou une mauvaise exploitation.

Les pannes survenues pour cause de matériaux défectifs et/ou d'erreurs de fabrication seront réparées gratuitement ou le produit sera échangé.

Les réclamations pour un instrument SPARKY défectueux seront honorées si la machine est retournée au livreur ou est présentée à un service après-vente agréé assemblé et dans son état original (assemblée).

## Notes

---

Lire attentivement les instructions avant d'utiliser ce produit.

Le producteur retient son droit d'améliorer ses produits et de changer les spécifications sans avis spécial.

Les spécifications peuvent varier selon le pays.

# Indice

I - Introduzione .....	33
II - Dati tecnici.....	35
III - Avvertenze generali di pericolo nel lavoro con elettroutensili .....	36
IV - Istruzioni supplementari di sicurezza nel lavoro con martelli perforatori.....	37
V - Prendere visione dell'elettroutensile .....	A/39
VI - Istruzioni per l'uso .....	39
VII - Manutenzione.....	42
VIII - Garanzia.....	42

## PRIMA DELL'USO

Prima dell'uso verificare la presenza di tutti i componenti e degli accessori elencati. In caso di mancanze o apparenti difetti rivolgersi al rivenditore specializzato. L'inosservanza di tale raccomandazione potrebbe provocare gravi incidenti.

## ASSEMBLAGGIO

Il martello perforatore, imballato in una valigia, viene fornito completamente montato.

Il martello perforatore, imballato in una scatola, viene fornito montato, ad eccezione dell'impugnatura supplementare.

## I - Introduzione

---

Questo utensile SPARKY supererà le Vostre aspettative. La produzione secondo i rigorosi standard di qualità SPARKY assicura un'ottima prestazione. Se utilizzato correttamente, l'utensile risulterà maneggevole e sicuro, e garantirà un uso duraturo.

### AVVERTENZA!



Leggere attentamente tutte le istruzioni prima dell'utilizzo dell'utensile. Leggere con cura soprattutto le parti introdotte da "Avvertenza". Questo utensile SPARKY presenta numerose caratteristiche che faciliteranno il Suo lavoro. Sicurezza, qualità ed affidabilità sono punti chiave nello sviluppo di questo utensile, e lo rendono semplice nell'uso e nella manutenzione.



### **Non smaltire elettroutensili insieme a rifiuti domestici!**

Residui di prodotti elettrici devono essere smaltiti separatamente dai rifiuti domestici e sottoposti ad un riciclaggio ecologico. Si prega di informarsi presso le autorità locali o i rivenditori specializzati circa il più vicino luogo di raccolta.

### RISPETTO DELL'AMBIENTE



Macchina, accessori ed imballaggio devono essere destinati ad una riutilizzo ecologica per il recupero di materie prime.

I componenti in plastica sono contrassegnati per relativo riciclaggio.

## SIMBOLI

L'etichetta che si trova sulla macchina contiene alcuni simboli. Questi forniscono importanti informazioni sull'utensile o istruzioni sull'uso dello stesso.



Doppio isolamento per una protezione supplementare.



Conforme alle direttive europee applicabili.



Conforme alle esigenze dei documenti normativi russi.



Conforme alle esigenze dei documenti normativi ucraini.




Prendere conoscenza del manuale d'uso.

YYYY-Www      Periodo di produzione, ove i simboli variabili sono:  
YYYY - l'anno di produzione,  
Www - la settimana consecutiva del calendario.

BPR              Martello perforatore.

## II - Dati tecnici

Modello	BPR 261E
Potenza assorbita	820 W
Numero di giri a vuoto	
a destra	0-1300 min <sup>-1</sup>
a sinistra	0-740 min <sup>-1</sup>
Regolazione elettronica dei giri	sì
Inversione del senso di rotazione	sì
Frizione protettiva	sì
Portata del mandrino	1,5-13 mm
Numero massimo dei colpi	5450 min <sup>-1</sup>
Diametro massimo della punta di trapano:	
per calcestruzzo	26 mm
per acciaio	13 mm
per legno	30 mm
Sistema per fissaggio dell'utensile	SDS plus
Peso (procedura EPTA 01/2003)	3,1 kg
Classe di protezione (EN 60745-1) 	II

### INFORMAZIONI SUL RUMORE E SULLE VIBRAZIONI

I valori sono stati misurati secondo la norma EN 60745.

#### Emissione di rumore

A-livello di pressione sonora ponderata $L_{pA}$	90,0 dB (A)
Indeterminazione $K_{pA}$	3,0 dB (A)
A-livello di potenza sonora ponderata $L_{WA}$	101,0 dB (A)
Indeterminazione $K_{WA}$	3,0 dB (A)

#### Usare mezzi per protezione dal rumore!

#### Emissione di vibrazioni \*

Valore totale delle vibrazioni (la somma vettoriale lungo i tre assi), determinato conformemente alla norma EN 60745:

##### Foratura a percussione in calcestruzzo

Valore delle vibrazioni emesse $a_{h,HD}$	15,0 m/s <sup>2</sup>
Indeterminazione $K_{HD}$	1,5 m/s <sup>2</sup>

##### Frantumazione

Valore delle vibrazioni emesse $a_{h,CHeq}$	11,5 m/s <sup>2</sup>
Indeterminazione $K_{CHeq}$	1,5 m/s <sup>2</sup>

##### Foratura in acciaio

Valore delle vibrazioni emesse $a_{h,D}$	6,5 m/s <sup>2</sup>
Indeterminazione $K_D$	1,5 m/s <sup>2</sup>

\* Le vibrazioni sono state determinate in conformità al punto 6.2.7 della norma EN 60745-1.

Il livello di vibrazione sopra indicato è stato definito seguendo il metodo di misurazione riportato nella normativa EN 60745 e può essere utilizzato per confrontare tra di loro diversi elettroattori. Inoltre è adatto per effettuare una stima provvisoria del livello di esposizione.

Il livello di vibrazione si riferisce alle modalità d'uso principali dell'utensile. Tuttavia, se utilizzato per scopi diversi da quelli previsti, con punte poco stabili o senza adeguata manutenzione, il livello di vibrazione può variare. Ciò può aumentare sensibilmente il livello di esposizione durante il lavoro.

Per una precisa definizione del livello di esposizione dovrebbe essere preso in considerazione anche l'arco di tempo in cui l'utensile è spento o funzionante ma non in uso. Ciò può ridurre sostanzialmente il livello di esposizione durante il lavoro.

Utilizzare l'utensile e gli accessori con cura, e maneggiarlo mantenendo le mani calde così da ridurre gli effetti dannosi dell'elevato livello di vibrazioni.

Polvere derivante da materiali come vernici contenenti particelle di piombo, alcuni tipi di legno, minerali e metallo potrebbe essere nociva. Il contatto o l'inalazione di tali polveri potrebbe causare reazioni allergiche e/o problemi al sistema respiratorio dell'utente o di terzi.

Talune tipologie di polveri, come ad esempio quella derivante da legno di quercia o faggio, soprattutto se trattati con additivi e conservanti, sono classificate come cancerogene. Si consiglia di fare trattare materiali contenenti asbesto solo a persone esperte.

- Se possibile collegare sempre la macchina ad un dispositivo di aspirazione.
- Per ottenere un alto grado di asportazione della polvere, usare nel lavoro con questo elettro utensile un aspirapolvere destinato a raccogliere la polvere di legno e/o polvere minerale
- Tenere l'area di lavoro ben pulita e ventilata.
- Si consiglia l'uso di una mascherina o filtro di classe P2.

Osservare le direttive nazionali relative al materiale da lavorare.

### III - Avvertenze generali di pericolo per elettro utensili



**AVVERTENZA!** Leggere tutte le istruzioni d'uso e le avvertenze di sicurezza. L'inosservanza delle istruzioni seguenti può causare folgorazioni, incendi e/o gravi danni a persone.

**Conservare con cura queste istruzioni.**

Il termine "utensile" in tutte le avvertenze successive si riferisce sia agli utensili collegati alla rete elettrica (con cavo di alimentazione) che agli utensili a batteria (senza cavo).

#### 1) Area di lavoro

- a) **Mantenere l'area di lavoro pulita e ben illuminata.** Le zone buie ed ingombre di oggetti favoriscono incidenti.
- b) **Non utilizzare l'utensile in presenza di liquidi infiammabili, gas o polvere.** Le scintille generate potrebbero infiammare polvere e/o vapore.
- c) **Tenere a distanza bambini e terzi durante il funzionamento.** Per una distrazione potreste perdere il controllo dell'utensile.

#### 2) Sicurezza elettrica

- a) **La spina dell'utensile deve essere adatta alla presa utilizzata. Non modificare la spina in alcun modo. Non utilizzare adattatori con gli utensili collegati a terra.** L'impiego di una spina integra ed una presa adatta riduce i rischi di folgorazione.
- b) **Evitare di toccare con il corpo le superfici collegate a terra quali tubi, radiatori, forni e frigoriferi.** Il rischio di folgorazione aumenta se il corpo è collegato a terra.
- c) **Non esporre l'utensile alla pioggia e all'umidità.** La penetrazione d'acqua nell'utensile aumenta il rischio di folgorazione.

- d) **Non utilizzare il cavo per scopi diversi da quello previsto. Non utilizzare il cavo per trasportare o tirare l'utensile, oppure per staccare la spina dalla presa. Tenere il cavo lontano da fonti di calore, olio, parti appuntite o in movimento.** Cavi danneggiati o attorcigliati aumentano il rischio di folgorazione.
- e) **Se l'utensile viene utilizzato all'aperto, usare una prolunga adatta all'uso esterno.** L'impiego di una prolunga da esterno riduce il rischio di folgorazione.
- f) **Se il lavoro in una ambiente umido è strettamente necessario, utilizzare una presa protetta da dispositivo a corrente residua.** Ciò riduce i rischi di scosse.

#### 3) Sicurezza personale

- a) **L'uso di elettro utensili richiede attenzione e buon senso. Non utilizzare gli utensili se si è stanchi o sotto l'effetto di droghe, alcol o medicinali.** Una breve disattenzione può provocare gravi danni alle persone.
- b) **Munirsi di indumenti e dispositivi di protezione. Indossare sempre occhiali da lavoro.** L'uso di dispositivi di protezione tra cui mascherina antipolvere, scarpe antiscivolo, casco e protezioni per l'udito riduce il rischio di danni a persone.
- c) **Evitare l'accensione accidentale. Accertarsi che l'interruttore sia in posizione "OFF" prima di inserire la spina.** Se si trasportano gli utensili con il dito sull'interruttore o si inserisce la spina nella presa con l'interruttore in posizione "ON" aumenta il rischio di incidenti.
- d) **Togliere tutte le chiavi di regolazione prima di accendere l'utensile.** Una chiave lasciata inserita in una parte rotante di un utensile può provocare danni a persone.
- e) **Non utilizzare l'utensile in condizioni estreme. Mantenere sempre l'equilibrio ed i piedi ben appoggiati a terra.** Questo consente un maggior controllo dell'utensile in caso di imprevisti.

f) **Indossare un abbigliamento adeguato. Non indossare abiti svolazzanti o gioielli. Tenere capelli, vestiti, e guanti lontani dalle parti in movimento. Abiti svolazzanti, gioielli o capelli potrebbero impigliarsi nelle parti in movimento.**

g) **In presenza di apparecchiature per il collegamento a dispositivi di aspirazione e raccolta delle polveri, accertarsi che essi siano collegati ed utilizzarli correttamente. L'uso di queste apparecchiature può ridurre i rischi causati dalla polvere.**

#### 4) Uso e manutenzione dell'utensile

a) **Utilizzare l'utensile più adatto per il lavoro da svolgere. L'impiego dell'utensile giusto migliora la qualità del lavoro e la sicurezza.**

b) **Non utilizzare l'utensile se non è possibile accenderlo e spegnerlo con l'apposito interruttore. Gli utensili che non possono essere controllati con l'interruttore sono pericolosi e devono essere riparati.**

c) **Staccare la spina dall'alimentazione di corrente prima di eseguire regolazioni, cambiare accessori o riporre l'utensile. Osservando queste precauzioni si riduce il rischio di accensione accidentale dell'utensile.**

d) **Riporre gli utensili non utilizzati fuori dalla portata dei bambini e non consentirne l'utilizzo a persone che non conoscono l'utensile o queste istruzioni. Nelle mani di persone inesperte gli utensili possono diventare pericolosi.**

e) **Sottoporre l'utensile a manutenzione. Verificare il corretto allineamento di tutte le parti mobili, controllare che non siano grippate e che non vi siano rotture o altri guasti che potrebbero influire sul funzionamento dell'utensile. Far riparare gli utensili danneggiati prima di riutilizzarli. Molti incidenti sono causati da utensili in pessime condizioni.**

f) **Tenere le punte e gli strumenti da taglio puliti ed affilati. Se sottoposti ad una regolare manutenzione e pulizia consentono di lavorare in modo più preciso e sono maggiormente controllabili.**

g) **Utilizzare l'utensile, gli accessori, gli attrezzi etc. secondo quanto indicato in queste istruzioni nonché tenendo in considerazione le condizioni di lavoro e il lavoro da eseguire. L'impiego di utensili per scopi diversi da quelli per cui sono stati**

*progettati può dare origine a situazioni pericolose.*

#### 5) Manutenzione

a) **Far riparare l'utensile da personale qualificato che utilizzi solo parti di ricambio originali. In caso contrario la sicurezza dell'utensile potrebbe risultare compromessa.**

## IV - Istruzioni supplementari di sicurezza nel lavoro con martelli perforatori



**Usare mezzi per protezione dell'udito nel lavoro con martelli perforatori. Il rumore intenso durante il lavoro può provocare lesioni all'udito.**

▪ **Usare sempre l'impugnatura supplementare fornita con la macchina. La perdita di controllo può provocare infortunio sul lavoro.**



**Usare durante il lavoro mezzi per protezione della vista, per proteggersi da corpuscoli volanti. Indossare occhiali protettivi.**



**Prendere precauzioni contro l'inalazione di polvere. Alcuni materiali possono contenere ingredienti tossici. Indossare maschera antipolvere. Usare un dispositivo di depolverizzazione, se il suo collegamento all'elettrodotto risulta possibile.**

▪ **Tenere l'elettrodotto soltanto per le superfici isolate da prendere, nell'esecuzione di un'operazione in cui l'accessorio di taglio potrebbe toccare un impianto elettrico nascosto, o il proprio cordone. Il contatto dell'accessorio di taglio con un conduttore sotto tensione metterà sotto tensione le parti metalliche aperte dell'elettrodotto, e l'operatore subirà una scossa elettrica.**

▪ **Non lavorare materiali contenenti amianto. L'amianto è considerato come una sostanza cancerogena.**



**AVVERTENZA:** Prima di collegare l'elettrodotto alla rete di alimentazione, accertarsi che la tensione di alimentazione corrisponda a quella indicata sulla targhetta dati tecnici dell'elettrodotto.

- Una fonte di alimentazione dalla tensione superiore a quella indicata per l'elettrotensile, può causare sia una grave lesione di scossa elettrica all'operatore, sia un guasto all'elettrotensile.
- Se si ha qualsiasi esitazione, non innestare la spina dell'elettrotensile nella presa.
- L'uso di una fonte di alimentazione con tensione inferiore a quella indicata sulla targhetta dati tecnici dell'elettrotensile, danneggerà il motore elettrico.
- Per evitare all'eventuale surriscaldamento, svolgere sempre completamente il cavo di prolunga con rocchetto.
- Quando si deve usare una prolunga, accertarsi che la sua sezione corrisponda alla corrente nominale dell'elettrotensile usato, nonché dello stato di efficienza della prolunga.



**AVVERTENZA:** Disinserire sempre l'elettrotensile e disinnestare la spina dalla presa prima di effettuare qualsiasi regolazione, sistemazione o manutenzione.

- Nel lavorare tenere sempre la macchina saldamente con entrambe le mani e mantenere una posizione stabile del corpo. L'elettrotensile viene guidato in maniera più sicura quando si afferra con entrambe le mani.
- Prima di cominciare il lavoro verificare con un metal detector appropriato, per la presenza di un nascosto impianto elettrico, una conduttura di gas o d'acqua, o cercare aiuto dai rispettivi enti locali. Il contatto della punta con un impianto elettrico nascosto può provocare lesione da scossa elettrica. Il danneggiamento di una conduttura di gas può causare un'esplosione. La foratura di una conduttura d'acqua causerà danneggiamento a proprietà, o lesione da scossa elettrica.
- Tenere il cavo di alimentazione fuori dal raggio operativo della macchina.
- Non usare l'elettrotensile con il cavo danneggiato. Non toccare il cavo danneggiato ed estrarre la spina dalla presa se il cavo si guasta durante il lavoro. I cavi danneggiati aumentano il rischio di scossa elettrica.
- Mantenere sempre stabile la posizione del corpo. Nel lavorare con l'elettrotensile in quota accertarsi che non ci sia nessuno di sotto.
- Fissare il pezzo da lavorare in una morsa o in qualche altro modo conveniente.
- Sorvegliare il momento d'inerzia all'avviamento del trapano, o ad inceppamento della

- punta. Spegnerne subito l'elettrotensile se la punta si blocca. Stare attenti per un alto momento reattivo, il quale potrebbe provocare contraccolpo. La punta sarà bloccata se l'elettrotensile si sovraccarica, o se essa viene inceppata nel materiale lavorato.
- Non toccare la punta o il pezzo da lavorare immediatamente dopo il lavoro. Essi potrebbero arroventarsi e causare ustione alla pelle.
- Mantenere pulito il posto di lavoro. La mescolatura di polveri di diversi materiali è particolarmente pericolosa. La polvere di metalli leggeri può bruciare o esplodere.
- Non lasciare mai stracci, stoppa, conduttori o fili di ferro vicino al posto di lavoro.
- Spegnerne sempre la macchina prima di adagiarla in disparte.
- Usare l'elettrotensile soltanto secondo la sua destinazione d'uso. Qualsiasi altro impiego differente da quello descritto in questo manuale di istruzioni, sarà ritenuto impiego erroneo. La responsabilità per qualsiasi guasto o ferimento, causati da uso erroneo, cadrà sull'utente, e non sul fabbricante.
- Per sfruttare correttamente questo elettrotensile, si devono rispettare le regole di sicurezza, le istruzioni generali, e le istruzioni per l'uso qui riportate. Tutti gli utenti devono conoscere queste istruzioni di esercizio, ed essere informati dei potenziali rischi nel lavoro con l'elettrotensile. Bambini e persone fisicamente deboli non devono usare l'elettrotensile. I bambini devono stare sotto continua sorveglianza se si trovano vicino ad un luogo dove si lavora con l'elettrotensile. È obbligatorio prendere anche precauzioni di sicurezza. Lo stesso concerne pure l'osservanza delle regole principali relative alla salute e alla sicurezza professionale.
- Il fabbricante non sarà tenuto responsabile per modifiche apportate dall'utente all'elettrotensile, o per guasti causati da tali modifiche.
- Non usare l'elettrotensile all'aperto quando piove, in un ambiente umido (dopo una pioggia), o in vicinanza di liquidi o gas facilmente infiammabili. Mantenere il posto di lavoro ben illuminato.



## V - Prendere visione dell'elettrotensile

Prima di cominciare a lavorare con l'elettrotensile, prendere conoscenza di tutte le particolarità operative e condizioni di sicurezza.

Usare l'elettrotensile e i suoi accessori soltanto secondo la destinazione d'uso. Ogni altro impiego è espressamente vietato.

1. Vite di sicurezza
  2. Sede per punte SDS plus
  3. Adattatore
  4. Collare del martello perforatore
  5. Fermo
  6. Commutatore dei regimi di funzionamento
  7. Aperture di ventilazione
  8. Linea di limitazione
  9. Impugnatura supplementare
  10. Leva per inversione del senso di rotazione
  11. Regolatore elettronico dei giri
  12. Interruttore ON/OFF
  13. Pulsante per bloccaggio dell'interruttore
  14. Manicotto di disinnesto
- III. Mandrino a tre ganasce

## VI - Istruzioni per l'uso

Questo elettrotensile viene alimentato soltanto di corrente alternata monofase. Avendo l'isolamento doppio conformemente all'EN 60745-1 e all'IEC 60745, esso si può innestare in prese senza piattine di massa. I disturbi radio soddisfano la Direttiva di compatibilità elettromagnetica 2004/108/EC.

### **PRIMA DI COMINCIARE IL LAVORO**

- **PRIMA DI COMINCIARE IL LAVORO**
- Controllare che la tensione di alimentazione corrisponda a quella riportata sulla targhetta dati tecnici dell'elettrotensile.
- Verificare in che posizione si trova l'interruttore. Innestare in e disinnestare l'elettrotensile dalla presa della rete soltanto ad interruttore disinnestato. Se la spina viene innestata nella presa mentre l'interruttore è nella posizione inserita, l'elettrotensile si metterà subito in moto, cosa che potrebbe provocare un infortunio.
- Accertarsi dello stato di efficienza del cordone d'alimentazione e della spina. Se il cordone è danneggiato, la sostituzione deve essere eseguita dal fabbricante o da un suo specialista di centro assistenza, per evitare i pericoli della sostituzione.



**AVVERTENZA:** Disinserire sempre l'elettrotensile e disinnestare la spina dalla presa prima di effettuare qualsiasi regolazione, sistemazione o manutenzione.

- Se l'area del lavoro è lontana dalla fonte di alimentazione, usare una prolunga che sia la più corta possibile, con sezione adatta.
- Verificare che l'impugnatura supplementare sia attaccata correttamente e serrata bene.

### **AVVIAMENTO - ARRESTO**

#### **Messa in moto per breve tempo**

- Avviamento: Premere l'interruttore 12.
- Arresto: Rilasciare l'interruttore 12.

#### **Lavoro continuativo**

- Avviamento: Premere l'interruttore 12 con la posizione della leva 10 a destra e, tenendolo premuto, bloccarlo con il pulsante 13.
- Arresto: Premere l'interruttore 12 una sola volta, e rilasciarlo subito.

### **REGOLAZIONE ELETTRONICA CONTINUA DEI GIRI**

Premendo lievemente l'interruttore 12 si verifica l'avviamento del martello perforatore a giri bassi, i quali aumentano dolcemente a quelli massimi, con l'incremento della pressione sull'interruttore ON/OFF, sino a raggiungere la posizione finale.

### **SELEZIONE DELLA FREQUENZA DI ROTAZIONE**

Impostare la necessaria frequenza di rotazione in anticipo, girando il regolatore 11 nella direzione "G" per aumentare i giri, e nella direzione "A" per diminuire. In questa maniera si ottiene un regime ottimale di foratura in diversi materiali – metallo, calcestruzzo, ecc.

### **INVERSIONE DEL SENSO DI ROTAZIONE**

Prima di cominciare la foratura, verificare sempre il senso di rotazione.

La posizione estrema destra della leva 10 significa rotazione in senso orario, e l'estrema sinistra in senso antiorario. Se si preme l'interruttore 12, la leva 10 non può essere azionata. L'inversione del senso di rotazione si fa soltanto nello stato di quiete del martello perforatore.

Lavorando con il senso di rotazione antiorario (direzione a sinistra), il grilletto dell'interruttore

ON/OFF ha una corsa limitata, e la macchina funziona con giri dalla posizione “A” ad “E” del regolatore elettronico 11. Fino alla posizione “E” funziona anche il pulsante di bloccaggio 13.

## **COMMUTAZIONE DEI REGIMI DI FUNZIONAMENTO**

Eseguire la commutazione dei regimi di funzionamento coerentemente in quiete, o mentre la macchina sta per arrestarsi.

Premere il fermo 5 del commutatore dei regimi di funzionamento 6, e girare simultaneamente il commutatore alla posizione desiderata:

- foratura – praticare fori in metallo, legno, plastica, ecc.
- foratura a percussione – praticare fori in calcestruzzo, pietra, ecc.
- scalpellatura – scalpellatura di scanalature in calcestruzzo e frantumazione.
- aggiustaggio della punta tipo cesello – per comodità durante il lavoro, la punta tipo cesello va alloggiata nella posizione desiderata, e va fissata.

## **MONTAGGIO E SERRAGGIO DELLA PUNTA SDS+**

Tirare il manicotto di disinnesto 14 della sede 2 indietro fino in fondo. Alloggiare la punta SDS-Plus fino alla battuta, stando attenti per le fenditure della sede di entrare nelle scanalature del suo codolo, poi rilasciare il manicotto di disinnesto e bloccare la punta. Un meccanismo speciale non permette di estrarre la punta senza che le operazioni che precedono siano ripetute.

## **MONTAGGIO E SERRAGGIO DI PUNTA CON CODOLO CILINDRICO NEL MANDRINO**

Mettere l'adattatore 3 nella sede 2 nel modo descritto qui sopra. Avvitare il mandrino a tre ganasce III all'adattatore 3 e fissarlo con la vite di sicurezza 1. In questa configurazione il martello perforatore può funzionare nel regime “punta”.

### **In macchine con mandrino a tre ganasce**

Girando la corona del mandrino III in senso orario o antiorario, le sue ganasce si muovono fino ad una posizione che permetta al codolo della punta di entrare tra loro. Girando la corona del mandrino III in senso orario, le ganasce serrano il codolo della punta. Fissare definitivamente con la chiave speciale la punta nel mandrino, il quale si stringe uniformemente nei tre fori.

### **In macchine con il mandrino a serraggio rapido**

Trattenere la corona posteriore e girare la corona anteriore finché il mandrino si sia aperto abbastanza per mettervi la punta. Serrare quindi a mano la corona anteriore, al quale atto si produce un suono distinto.

## **SMONTAGGIO DEL MANDRINO DALL'ADATTATORE DEL MARTELLO PERFORATORE**

### **In macchine con mandrino a tre ganasce**

Aprire completamente le ganasce del mandrino III e con l'ausilio di un cacciavite svitare la vite di sicurezza 1 con filettatura sinistra. Fissare l'adattatore 3 del martello perforatore con la chiave S17. Mettere la chiave speciale per serraggio del mandrino in uno dei tre fori e, girando in senso antiorario, usando la chiave come una leva, svitare il mandrino III dall'adattatore del martello perforatore.

### **In macchine con il mandrino a serraggio rapido**

Trattenere la corona posteriore e girare la corona anteriore finché il mandrino si sia completamente aperto. Svitare con l'ausilio di un cacciavite la vite di sicurezza, la quale ha filettatura sinistra. Mettere nel mandrino una chiave esagonale o il dispositivo per stringere viti, la cui estremità libera va serrata in maniera appropriata. Afferrare l'adattatore 3 del martello perforatore con una chiave meccanica e girare in senso antiorario.

## **MONTAGGIO DI UNA PUNTA TIPO CESELLO CON IL CODOLO SDS PLUS**

Mettere il commutatore dei regimi di funzionamento 6 nella posizione “martello”. Tirare indietro il manicotto di disinnesto 14 della sede 2. Spingere la punta tipo cesello dentro fino alla battuta, stando attenti per le fenditure della sede di entrare nelle scanalature del suo codolo, quindi rilasciare il manicotto di disinnesto e bloccare la punta tipo cesello. Mettere il commutatore 6 contro il simbolo “punto” per aggiustare la punta. In questa posizione del commutatore 6 la punta tipo cesello può essere girata nella posizione per lavoro desiderata, dopo di che girare il commutatore 6 fino allo scatto nella posizione “martello”. Per il lavoro con la punta tipo cesello, il commutatore 6 deve stare sempre nella posizione “martello”.

## AVVITARE E SVITARE BULLONI, VITI E DADI

Fissare sul mandrino III nel modo descritto qui sopra, l'apposito dispositivo per avvitare, rispettivamente svitare, bulloni, dadi o viti. Mettere il commutatore 6 dei regimi di funzionamento contro il simbolo "punta". Selezionare con la leva 10 per inversione del senso di rotazione, l'operazione di svitamento o avvitamento. Le operazioni vanno eseguite soltanto a giri.



**AVVERTENZA:** Nell'avvitare lunghi bulloni o viti esiste il pericolo di slittamento del martello perforatore!

## IMPUGNATURA SUPPLEMENTARE

Serrare l'impugnatura supplementare 9 sul colare 4 del martello perforatore. Per ragioni di sicurezza usare sempre l'impugnatura supplementare 9. La profondità dei fori praticati può essere fissata per mezzo della linea di limitazione 8.

L'impugnatura supplementare di questi modelli è collegata con la carcassa della macchina per mezzo di elementi vibrosmorzanti, proteggendo così l'operatore e diminuendo la stanchezza nel lavoro.

## LIMITAZIONE DELLA COPPIA

La frizione protettiva della macchina limita la coppia. Azionando la frizione si interrompe il movimento dell'alberino e l'utensile (la punta) smette di girare. Spegnerne subito la macchina, per prevenire l'usura precoce.

## CONSIGLI NEL LAVORO

A temperature basse, e se la macchina non ha lavorato da tempo, lasciarla funzionare a vuoto per un po', per riscaldarsi. In questo modo migliora la lubrificazione. La foratura a percussione è impossibile se la macchina non si è riscaldata regolarmente.

Esercitare una pressione moderata forando in calcestruzzo (approssimativamente 80-100 N). La forte pressione non aumenta il rendimento nella foratura, e comporta invece la riduzione della durata utile della macchina.

Prima di mettere il codolo dell'utensile nella macchina, pulirlo e lubrificarlo. Estrarre di tanto in tanto la punta dal foro, per rimuovere la polvere. Sorvegliare il grado di smussamento della punta e sostituirla quando si avverte un conside-

revole ribasso del rendimento.

Con la posizione estrema sinistra della leva 10 non lavorare nel regime «foratura a percussione» e nel regime «martello».

Quando si lavora nel regime «martello» (scalpellatura, frantumazione) e nel regime «foratura a percussione», è possibile a seconda del materiale in certi casi che la forza dell'impatto sia ridotta. Per riprendere la forza massima dell'impatto è necessario diminuire i giri della macchina, riducendo la pressione sul grilletto dell'interruttore 12, finché si noti un impatto sostenuto.

Nel praticare in metallo un foro di grosso diametro, fare in anticipo un foro di diametro minore. La portata ottimale di forare in calcestruzzo è fino a 16 mm, la postata possibile essendo fino a 26 mm.

Il martello perforatore è adatto per lavorazione lieve con una punta tipo cesello. Una maggiore durata del martello perforatore e un superiore rendimento si possono assicurare soltanto con utensili affilati per scalpellatura (punte tipo cesello).

## ACCESSORI CHE POSSONO ESSERE USATI CON QUESTO ELETTROUTENSILE

- Punta per metallo con il diametro da Ø3 mm a Ø13 mm
- Punta per legno con il diametro da Ø3 mm a Ø30 mm
- Punta per calcestruzzo SDS plus con il diametro da Ø3 mm a Ø26 mm
- Punta a corona SDS+ con il diametro fino a Ø65 mm
- Punta tipo lesina SDS+ con una lunghezza fino a 250 mm
- Punta tipo cesello SDS+ con una larghezza fino a 40 mm
- Scanalatori SDS+ con una larghezza fino a 22 mm
- Punta con esaedro di fissaggio di 6.35 mm (1/4") per stringere viti



**AVVERTENZA:** Per il lavoro con questo elettro utensile vengono consigliati gli accessori o dispositivi di cui sopra. L'impiego di accessori o dispositivi diversi da quelli indicati, comporta infortuni sul lavoro. Usare gli accessori o dispositivi unicamente secondo la destinazione d'uso. Se si desidera avere informazioni supplementari relative a tali accessori, rivolgersi al centro assistenza locale della SPARKY.

## VII - Manutenzione

---



**AVVERTENZA:** Spegnerne sempre l'elettrotensile e staccare la spina dalla presa prima di effettuare qualsiasi verifica o manutenzione.

### VERIFICA GENERALE

---

Verificare regolarmente tutti gli elementi di fissaggio e accertarsi che siano saldamente stretti. Nel caso in cui qualche vite si sia allentata, stringerla subito, per evitare situazioni di rischio.

Se il cavo di alimentazione viene danneggiato, la sostituzione va effettuata dal fabbricante o da un suo specialista di centro assistenza tecnica, per ovviare ai pericoli seguito alla sostituzione.

### PULIZIA

---

Per un lavoro sicuro mantenere sempre puliti la macchina e le aperture di ventilazione.

Controllare regolarmente che nella griglia di ventilazione vicino al motore elettrico o intorno ai commutatori non siano penetrati polvere o corpi estranei. Usare una spazzola soffice per rimuovere la polvere accumulata. Per proteggere gli occhi, indossare durante la pulizia occhiali protettivi.

Se la carcassa della macchina necessita di pulizia, strofinarla con un soffice panno umido.



**AVVERTENZA:** Non è ammesso l'uso di alcole, benzina o altri solventi. Non adoperare mai preparati attaccanti per la pulizia delle parti plastiche.



**AVVERTENZA:** Non è ammessa l'entrata di acqua in contatto con la macchina.

**IMPORTANTE!** Per provvedere ad un lavoro sicuro con l'elettrotensile e alla sua affidabilità, tutte le attività relative alla riparazione, la manutenzione e la regolazione (ivi incluse la verifica e la sostituzione delle spazzole), vanno effettuate nei centri assistenza autorizzati SPARKY, usando soltanto pezzi di ricambio originali.

## VIII - Garanzia

---

### Garanzia

Il periodo di garanzia degli elettrotensili SPARKY viene determinato nel certificato di garanzia.

Malfunzionamenti emersi in seguito ad usura normale, a sovraccarico o a manomissione, sono esclusi dagli obblighi di garanzia.

Difetti emersi in seguito all'impiego di materiali scadenti e/o ad errori di fabbricazione, vengono rettificati senza pagamento supplementare, attraverso la sostituzione o riparazione.

Reclamo relativo ad elettrotensile SPARKY danneggiato, si riconosce valido quando la macchina viene restituita al fornitore, o presentata ad un centro assistenza autorizzato, nello stato non smontato (stato originale).

### N.B.

---

Leggere attentamente l'intero manuale delle istruzioni, prima di cominciare ad usare questo prodotto.

Il fabbricante si riserva la facoltà di apportare miglioramenti e modifiche nei propri prodotti, e di cambiare le specifiche senza preavviso.

Le specifiche tecniche possono variare per i diversi paesi.

# Contenido

I - Introducción .....	43
II - Datos técnicos.....	45
III - Instrucciones generales de seguridad al operar con herramientas eléctricas .....	46
IV - Normas adicionales de seguridad al operar con martillos perforadores.....	48
V - Componentes principales de la herramienta eléctrica .....	A/49
VI - Instrucciones para la operación .....	49
VII - Mantenimiento .....	53
VIII - Garantía .....	53

## DESENVASE

En conformidad con las tecnologías de grandes series generalmente aceptadas, es poco probable que su herramienta eléctrica sea defectuosa o que le falte alguna pieza. Si observa que algo no está en orden, no opere con la herramienta eléctrica hasta que su pieza dañada no haya sido sustituida o su defectuosidad no haya sido eliminada. El incumplimiento de esta recomendación puede conducir a un accidente de trabajo grave.

## ENSAMBLAJE

El martillo perforador, envasado en un maletín, se suministra completamente ensamblado. El martillo perforador, envasado en una caja, se suministra ensamblado, salvo el asidero adicional.

## I - Introducción

---

La herramienta eléctrica SPARKY que acaba de adquirir superará sus expectativas. Ha sido fabricada conforme a las altas normas de calidad de SPARKY que responden a las exigencias más rigurosas del usuario. Su mantenimiento es fácil y es segura a la hora de explotarse. Si se usa correctamente, esta herramienta eléctrica le servirá con fiabilidad durante largos años.

### ¡ADVERTENCIA!



Lea con atención e íntegramente estas instrucciones de explotación antes de usar la herramienta eléctrica SPARKY que acaba de adquirir. Preste una atención especial a los textos encabezados por la palabra "Advertencia". Su herramienta eléctrica SPARKY posee muchas cualidades que facilitarán su trabajo. Al diseñarse esta herramienta eléctrica, se ha prestado una mayor atención a la seguridad, a las cualidades de explotación y a la fiabilidad que facilitan su mantenimiento y explotación.



### ¡No tire la herramienta eléctrica junto con los residuos domésticos!

Los residuos de productos eléctricos no deben recogerse junto con los residuos domésticos. Por favor, recíclelos en los lugares destinados a ello. Póngase en contacto con las autoridades locales o con un representante suyo para informarse respecto al reciclaje.

## PROTECCIÓN DEL MEDIO AMBIENTE



Con miras a la protección del medio ambiente, esta herramienta eléctrica, sus accesorios y su envase deben someterse a un tratamiento adecuado para reutilizar las materias primas que contienen.

Para facilitar el reciclaje de las piezas fabricadas de materiales artificiales, éstas han sido marcadas de la forma correspondiente.

## DESCRIPCIÓN DE LOS SÍMBOLOS

Sobre la placa de características técnicas de la herramienta eléctrica se han marcado símbolos especiales. Éstos facilitan información importante sobre el producto o instrucciones para su manejo.



Doble aislamiento de protección adicional.



Compatible con las Directivas europeas aplicables.



Compatible con los requisitos de los documentos normativos rusos.



Compatible con los requisitos de los documentos normativos ucranianos.



Familiarícese con el manual de usuario.


YYYY-Www      Período de fabricación, donde los símbolos variables son:

YYYY: año de fabricación,

Www: semana civil consecutiva.

BPR              Martillo perforador.

## II - Datos técnicos

Modelo	BPR 261E
Potencia consumida	820 W
Revoluciones en marcha en vacío	
a la derecha	0-1300 min <sup>-1</sup>
a la izquierda	0-740 min <sup>-1</sup>
Regulación electrónica de las revoluciones	sí
Cambio del sentido de rotación	sí
Acoplador mecánico protector	sí
Diapasón del mandril	1,5-13 mm
Número máximo de percusiones	5450 min <sup>-1</sup>
Diámetro máximo de la broca:	
para hormigón	26 mm
para acero	13 mm
para madera	30 mm
Sistema de fijación de la herramienta	SDS plus
Peso (EPTA Procedimiento 01/2003)	3,1 kg
Clase de protección (EN 60745-1) 	II

### INFORMACIÓN SOBRE EL RUIDO Y LAS VIBRACIONES

Los valores se han medido según la norma EN 60745.

#### Emisión de ruido

A-nivel medido de presión sonora $L_{pA}$	90,0 dB (A)
Indeterminación $K_{pA}$	3,0 dB (A)
A-nivel medido de potencia sonora $L_{wA}$	101,0 dB (A)
Indeterminación $K_{wA}$	3,0 dB (A)

#### ¡Utilice medios de protección contra el ruido!

#### Emisión de vibraciones \*

Valor total de las vibraciones (suma vectorial de tres direcciones) determinado según la norma EN 60745:

#### Perforación de percusión en hormigón

Valor de las vibraciones emitidas $a_{h,HD}$	15,0 m/s <sup>2</sup>
Indeterminación $K_{HD}$	1,5 m/s <sup>2</sup>

#### Demolición

Valor de las vibraciones emitidas $a_{h,CHeq}$	11,5 m/s <sup>2</sup>
Indeterminación $K_{CHeq}$	1,5 m/s <sup>2</sup>

#### Perforación en acero

Valor de las vibraciones emitidas $a_{h,D}$	6,5 m/s <sup>2</sup>
Indeterminación $K_D$	1,5 m/s <sup>2</sup>

\* Las vibraciones se han determinado según el apartado 6.2.7 de la norma EN 60745-1.

El nivel de las vibraciones determinado en esta instrucción ha sido medido en conformidad con la metodología de ensayo indicada en EN 60745 y podrá utilizarse para comparar instrumentos eléctricos. El nivel de las vibraciones podrá utilizarse para una evaluación previa del grado de influencia.

El nivel declarado de las vibraciones se refiere a la destinación principal del instrumento eléctrico. En los casos cuando el instrumento eléctrico se utilice con otra destinación, con otros accesorios o cuando el instrumento eléctrico no haya sido mantenido debidamente, el nivel de las vibraciones podrá ser diferente al indicado. En estos casos, el nivel de influencia podrá aumentar considerablemente dentro de los límites del período total de funcionamiento.

En la evaluación del nivel de influencia de las vibraciones se deberá tener en consideración el tiempo durante el cual el instrumento eléctrico queda desconectado o conectado, pero no se utiliza. Esto podrá reducir notablemente el nivel de influencia dentro de los límites del período total de funcionamiento.

¡Manténganse el instrumento eléctrico y los accesorios en buen estado! Procure tener las manos calientes durante el trabajo. Esto disminuirá la influencia nociva durante un trabajo con vibraciones elevadas.

El polvo desprendido en el procesamiento de los materiales, como pinturas que contienen plomo, algunos tipos de madera, minerales y metales, podrá ser peligroso para la salud. El contacto o la aspiración del polvo podrá provocar reacciones alérgicas y/o enfermedades de las vías respiratorias del operario o de las personas a su alrededor.

Algunos tipos de polvo, por ejemplo, de roble o de haya, se consideran cancerígenos, ante todo si se combinan con adiciones para procesar la madera (cromato, conservantes). El material que contenga asbesto se ha de procesar únicamente por especialistas.

- Cuando sea posible, utilice la evacuación de polvo.
- Para alcanzar un alto grado de captación de polvo, al operar con esta herramienta eléctrica, utilice una aspiradora destinada a recoger polvo de madera o para polvo de madera y/o polvo mineral.
- Asegure una buena ventilación del lugar de trabajo.
- Se recomienda usar una mascarilla antipolvo de protección con filtro clase P2.

Respétese las disposiciones vigentes en su país acerca del procesamiento de los respectivos materiales.

### III - Instrucciones generales de seguridad durante el trabajo con herramientas eléctricas



**ADVERTENCIA!** Lea íntegramente estas advertencias e instrucciones de seguridad. Si no se respetan las advertencias e instrucciones de seguridad, podrá llegar a causarse una avería por la corriente eléctrica, un incendio y/o una lesión grave.

**Guárdense todas las advertencias e instrucciones de seguridad para su uso futuro.**

El término "herramienta eléctrica" empleado en todas las advertencias descritas a continuación se refiere a su instrumento eléctrico alimentado de la red (con un cordón eléctrico) y/o de una máquina eléctrica alimentada por una batería de acumuladores (sin cordón eléctrico).

#### 1) Seguridad del puesto de trabajo

- a) **Mantenga limpio y bien iluminado su puesto de trabajo.** El desorden y la insuficiente iluminación son premisas para un accidente de trabajo.
- b) **No trabaje con la herramienta eléctrica en un entorno de aire explosivo donde hay líquidos inflamables, gases o polvo.** Las herramientas eléctricas producen chispas que pueden incendiar el polvo o el vapor.
- c) **Mantenga a los niños y a las personas extrañas a una distancia cuando esté**

**trabajando con una herramienta eléctrica.** Una distracción suya le puede hacer perder el control sobre el instrumento eléctrico.

#### 2) Seguridad eléctrica

- a) **Los enchufes de las herramientas eléctricas deben corresponder a la toma de corriente. No cambie el enchufe bajo ningún concepto. No emplee ningún enchufe adaptador en las herramientas eléctricas de puesta a tierra.** El uso de enchufes no modificados y su correspondiente toma de corriente reduce el riesgo de una avería causada por la corriente eléctrica.
- b) **Evite el contacto de su cuerpo con la tierra o con superficies con puesta a tierra, como tubos, radiadores, cocinas y refrigeradores.** Si su cuerpo está con puesta a tierra, existe un mayor riesgo de producirse una avería por la corriente eléctrica.
- c) **No exponga la herramienta eléctrica a la lluvia o en un ambiente húmedo.** La penetración del agua en el interior del instrumento eléctrico aumenta el riesgo de producirse una avería por la corriente eléctrica.
- d) **Utilice el cordón eléctrico conforme a su destino. Jamás utilice el cordón eléctrico para trasladar el instrumento eléctrico, tirar o sacar el enchufe de la toma de corriente. Mantenga el cordón eléctrico alejado del calor, de lubricantes, aristas vivas o piezas móviles.** Los cordones eléctricos deteriorados o enredados aumentan el riesgo de producirse una avería por la corriente eléctrica.
- e) **Al trabajar con la herramienta eléctrica a la intemperie, utilice un alargador apropiado para trabajar al aire libre. La**



*utilización de un alargador adecuado para trabajar a la interperie reduce el riesgo de producirse una avería por la corriente eléctrica.*

- f) **Para interrumpir la alimentación, utilice un dispositivo de seguridad que se pone en funcionamiento por la corriente eléctrica restante de ser imprescindible el empleo de la herramienta eléctrica en un ambiente húmedo. La aplicación de un dispositivo de seguridad reduce el riesgo de producirse una avería por la corriente eléctrica.**

### 3) Seguridad personal

- a) **Manténgase en alerta, trabaje con mayor atención y sea prudente mientras esté trabajando con la herramienta eléctrica. No utilice la herramienta eléctrica si estuviese cansado bajo el efecto de drogas, alcohol o medicamentos. Un instante de falta de atención al trabajar con un instrumento eléctrico puede provocar un grave accidente de trabajo.**
- b) **Utilice medios de protección personal. Lleve siempre medios para la protección de los ojos. Los medios de protección personal como carreta antipolvo, zapatos seguros con suela antideslizante, casco o protectores auditivos utilizados en condiciones concretas reducen el riesgo de accidentes de trabajo.**
- c) **Evite una puesta en marcha involuntaria. Antes de asir o trasladar el instrumento eléctrico, asegúrese de que el interruptor esté desconectado previa su conexión a la fuente de alimentación y/o a la batería de acumuladores. Puede dar lugar a un accidente de trabajo que la herramienta eléctrica sea trasladada con el dedo sobre el interruptor, o bien la conexión de dicha herramienta a una fuente de alimentación con el interruptor en posición conectada.**
- d) **Retire toda llave de ajuste o llaves de tuercas antes de conectar la herramienta eléctrica. Una llave de ajuste o llave de tuercas fijada a una pieza rotatoria puede producir un accidente de trabajo.**
- e) **¡No alargue la mano! Mantenga en todo momento la postura correcta y el equilibrio. Ello permitirá un mejor manejo de la herramienta eléctrica en caso de que se presente una situación inesperada.**
- f) **Lleve una ropa de trabajo adecuada. No lleve prendas anchas o joyas. Mantenga su cabello, vestimenta y guantes**

*alejados de las piezas móviles. La ropa ancha, las joyas o el pelo largo se podrán enganchar a las piezas en movimiento.*

- g) **Siempre que sea posible, utilice equipos de aspiración o recogepolvos y asegúrese que estén conectados y que se utilicen correctamente. El uso de estos dispositivos puede reducir los riesgos que son producto del polvo.**

### 4) Uso y cuidado de las herramientas eléctricas

- a) **No sobrecargue la herramienta eléctrica. Según el uso, hágase una correcta selección de la herramienta eléctrica. La herramienta correctamente seleccionada funciona mejor y con mayor seguridad en el régimen de trabajo para el que ha sido diseñada.**
- b) **No utilice la herramienta eléctrica si el interruptor no conmuta en posición de “conectado” y “desconectado”. Toda herramienta eléctrica que no pueda ser manejada con el interruptor es peligrosa y ha de ser reparada.**
- c) **Antes de efectuar cualquier ajuste, saque el enchufe de la red de alimentación, previo cambio de cualquier accesorio o antes de guardar la herramienta. Estas medidas de seguridad preventivas reducen el riesgo de poner en funcionamiento la herramienta eléctrica accidentalmente.**
- d) **Guarde las herramientas eléctricas que no hayan sido utilizadas en lugares que estén fuera del alcance de los niños, y no permita que trabajen con ella las personas que prestan servicios y desconozcan la herramienta eléctrica y estas instrucciones. Las herramientas eléctricas son peligrosas en manos de usuarios inexpertos.**
- e) **Mantenga la herramienta eléctrica. Averigüe si sus piezas móviles funcionan correctamente y se mueven con libertad, así como la integridad y el buen estado de las piezas, como también cualquier otra circunstancia que pudiera afectar de forma desfavorable el funcionamiento de la herramienta eléctrica. En caso de que esté deteriorada, la herramienta habrá de repararse antes de que se continúe usando. Muchos accidentes se deben al mal mantenimiento de las herramientas eléctricas.**
- f) **Mantenga las herramientas cortantes limpias y afiladas. Las herramientas cortantes con bordes afilados y cortantes que**

tengan un mantenimiento correcto es menos probable que bloqueen y son más fáciles de manejar.

- g) **Utilice la herramienta eléctrica, los accesorios, las piezas, etc., de acuerdo con estas instrucciones y de la forma prevista para el tipo de herramienta eléctrica concreta, tomando en consideración las condiciones laborales y el trabajo a realizar.** *El uso de la herramienta eléctrica con fines diferentes a aquellos para los que ha sido diseñada puede causar una situación de peligro.*

#### 5) Servicio

- a) **Repare su herramienta eléctrica con un técnico cualificado en reparaciones, utilizando sólo piezas de recambio originales.** *Ello garantizará el mantenimiento y la seguridad de la herramienta eléctrica.*

## IV - Instrucciones adicionales de seguridad al operar con martillos perforadores



**Utilice medios de protección auditiva al operar con la herramienta eléctrica.** *El ruido intenso durante la operación puede ocasionar daños auditivos.*

- **Utilice siempre el asidero adicional suministrado con la máquina.** *La pérdida de control puede ocasionar un accidente de trabajo.*



**Durante la operación, utilice medios de protección de la vista para protegerse de las partículas volantes.** *Lleve gafas de protección.*



**Adopte medidas preventivas contra la aspiración de polvo.** *Es posible que algunos materiales contengan componentes tóxicos. Lleve una careta de protección antipolvo. Utilice un dispositivo para la evacuación del polvo, en caso de ser posible acoplarlo a la herramienta eléctrica.*

- **Sujete la herramienta eléctrica solamente por las superficies aisladas de sujeción cuando efectúe una operación, en la cual el accesorio cortante puede entrar en contacto con una instalación eléctrica oculta o con su propio cable.** *El contacto del acce-*

*sorio cortante con un conductor eléctrico bajo tensión pondrá las partes metálicas abiertas de la herramienta eléctrica bajo tensión, y el operador sufrirá electrocución.*

- No procese materiales que contienen amianto. El amianto se considera una sustancia cancerígena.



**ADVERTENCIA:** Antes de conectar la herramienta eléctrica a la red de alimentación, cerciórese de que el voltaje de alimentación corresponde al indicado sobre la placa de datos técnicos de la herramienta eléctrica.

- Una fuente de alimentación con voltaje superior al indicado para la herramienta eléctrica puede causar tanto un daño grave de corriente eléctrica al operador como una avería a la herramienta eléctrica.
- Si tiene algunas vacilaciones, no introduzca el enchufe de la herramienta eléctrica en la caja de contacto.
- El uso de una fuente de alimentación con voltaje inferior al indicado sobre la placa de datos técnicos de la herramienta eléctrica dañará el motor eléctrico.
- Para evitar un posible sobrecalentamiento, desenrosque siempre hasta el final el cable del prolongador con un tambor de cable.
- Cuando sea imprescindible usar un prolongador, cerciórese de que su sección corresponde a la corriente nominal de la herramienta eléctrica utilizada, así como del buen estado del prolongador.



**ADVERTENCIA:** Desconecte siempre la herramienta eléctrica y saque el enchufe de la toma de corriente antes de efectuar cualquier ajuste, servicio o mantenimiento.

- Mientras esté operando, sostenga siempre la máquina fuertemente con ambas manos y mantenga su cuerpo en posición estable. La herramienta eléctrica se maneja con mayor seguridad cuando se sostiene con ambas manos.
- Antes de empezar a operar, averigüe con un buscametales apropiado si hay una instalación eléctrica, un gasoducto o una tubería de agua ocultos, o bien solicite la asistencia de los respectivos servicios locales. El contacto de la broca con una instalación eléctrica oculta puede causar una descarga de corriente eléctrica. La avería de un gasoducto puede provocar una explosión. La perforación de

una tubería de agua originará daños materiales o una descarga de corriente eléctrica.

- Mantenga el cable de alimentación fuera del alcance de funcionamiento de la máquina.
- No utilice la herramienta eléctrica cuando el cable esté dañado. No toque el cable dañado y saque el enchufe de la toma de corriente si el cable se ha dañado durante el funcionamiento. Los cables dañados elevan el riesgo de electrocución.
- Mantenga su cuerpo siempre en una posición estable. Cuando esté operando con la herramienta eléctrica a una altura determinada, cerciórese de que debajo de usted no haya nadie.
- Fije la pieza que está procesando en una mordaza o de otra forma apropiada.
- Observe el momento de inercia al poner en marcha la herramienta eléctrica o en caso de acuñarse el taladro. Desconecte inmediatamente la herramienta eléctrica si la broca ha bloqueado. Manténgase en alerta de que no se produzca un momento reactivo alto que pueda provocar retroceso. La broca quedará bloqueada si la herramienta eléctrica se sobrecarga o si se acuña en el material que se está procesando.
- No toque la broca ni la pieza en procesamiento inmediatamente después de la operación. Éstas pueden estar muy calientes y provocar quemaduras en la piel.
- Mantenga su puesto de trabajo limpio. La mezcla de polvo de diversos materiales es sumamente peligrosa. El polvo de metales ligeros puede arder o explotar.
- No deje nunca trapos, estopas, conductores o alambres cerca del lugar de operación.
- Desconecte siempre la máquina antes de dejarla aparte.
- La herramienta eléctrica debe usarse solamente según el fin con que ha sido concebida. Cualquier otro uso que difiera del que se describe en este manual se considerará uso incorrecto. La responsabilidad por cualquier daño o lesión derivados del uso incorrecto será asumida por el usuario, y no por el fabricante.
- Para explotar correctamente esta herramienta eléctrica, deberán cumplirse las normas de seguridad, las instrucciones generales y las indicaciones de operación que se señalan aquí. Cada usuario debe familiarizarse con este manual de explotación y estar informado acerca de los riesgos potenciales al operar con la herramienta eléctrica. Los niños y las personas físicamente débiles no deben utili-

zar esta herramienta eléctrica. Los niños deben estar bajo vigilancia constante si se encuentran cerca del lugar de operación con la herramienta eléctrica. Es obligatorio adoptar asimismo medidas de seguridad preventivas. Ello se refiere también al cumplimiento de las normas básicas de salud profesional y seguridad.

- El fabricante no asume responsabilidad por las modificaciones en la herramienta eléctrica que hayan sido efectuadas por el usuario o por las averías causadas a raíz de estas modificaciones.
- La herramienta eléctrica no debe usarse al aire libre cuando esté lloviendo, en un entorno húmedo (después de llover) o cerca de líquidos y gases fácilmente inflamables. El puesto de trabajo debe estar bien iluminado.

## V - Componentes principales de la herramienta eléctrica

---

Antes de empezar a operar con la herramienta eléctrica, infórmese acerca de todas sus peculiaridades operativas y de las condiciones de seguridad.

Utilice la herramienta eléctrica y sus accesorios solamente según el fin con que han sido concebidos. Queda terminantemente prohibida cualquier otra aplicación.

1. Tornillo de seguridad
  2. Caja para taladros SDS plus
  3. Adaptador
  4. Gollete del perforador
  5. Fijador
  6. Conmutador de los regímenes de operación
  7. Orificios de ventilación
  8. Línea demarcadora
  9. Asidero adicional
  10. Palanca de cambio del sentido de rotación
  11. Regulador electrónico de las revoluciones
  12. Interruptor
  13. Botón de bloqueo del interruptor
  14. Casquillo liberador
- III. Mandril de tres garras

## VI - Instrucciones para la operación

---

Esta herramienta eléctrica se alimenta solamente mediante voltaje monofásico alterno. Posee

doble aislamiento, según las normas EN 60745-1 e IEC 60745, y puede conectarse a tomas de corriente sin bornes de protección. Las radiointerferencias corresponden a la Directiva de Compatibilidad Electromagnética 2004/108/CE. El martillo perforador está destinado a efectuar perforaciones de aberturas de percusión en hormigón, piedra, mampostería y otros materiales frágiles, así como a perforar aberturas en acero, madera, plástico, etc.

## **ANTES DE EMPEZAR A OPERAR**

- Revise si el voltaje de la red eléctrica corresponde al indicado en la placa de datos técnicos de la herramienta eléctrica.
- Revise la posición en que se encuentra el interruptor. La herramienta eléctrica debe conectarse y desconectarse de la red de alimentación solamente cuando el interruptor esté desconectado. Si el enchufe ha sido introducido en la toma de corriente mientras que el interruptor esté conectado, la herramienta eléctrica se accionará inmediatamente, lo cual es una premisa de accidente.
- Cerciórese del buen estado del cable de alimentación y del enchufe. Si el cable de alimentación está dañado, la sustitución de éste debe efectuarse por el fabricante o por un técnico de servicio suyo para evitar los peligros de la sustitución.



**ADVERTENCIA:** Desconecte siempre la herramienta eléctrica y saque el enchufe de la toma de corriente antes de efectuar cualquier ajuste, servicio o mantenimiento.

- Si la zona de operación está alejada de la fuente de alimentación, utilice un prolongador de sección apropiada lo más corto posible.
- Revise si el asidero adicional ha sido colocado correctamente y si ha sido atiesado de forma segura.

## **CONEXIÓN - DESCONEXIÓN**

### **Accionamiento breve**

- Conexión: El interruptor 12 se aprieta.
- Desconexión: El interruptor 12 se afloja.

### **Operación continua**

- Conexión: El interruptor 12 se aprieta cuando la palanca 10 está en posición derecha, y, estando apretado, se inmoviliza mediante el botón 13.

- Desconexión: El interruptor 12 se aprieta una sola vez, aflojándose inmediatamente.

## **REGULACIÓN ELECTRÓNICA PROGRESIVA DE LAS REVOLUCIONES**

Al apretar levemente el interruptor 12, se provocará el accionamiento del martillo perforador a revoluciones bajas, que aumentarán paulatinamente hasta las máximas, elevando la presión sobre el interruptor, hasta llegar a la posición extrema.

## **SELECCIÓN DE LA FRECUENCIA DE ROTACIÓN**

La frecuencia de rotación necesaria se programa previamente, girando el disco del regulador 11 en el sentido "G" para aumentar las revoluciones, y en el sentido "A", para disminuirlas. De esta forma, se garantiza un régimen de perforación óptimo en diferentes materiales: metal, hormigón, etc.

## **CAMBIO DEL SENTIDO DE ROTACIÓN**

Antes de empezar la perforación, revise siempre el sentido de rotación.

La posición extrema derecha de la palanca 10 significa que la rotación es en el sentido de la aguja del reloj, y la extrema izquierda, en el sentido opuesto a ella. Al presionar el interruptor 12, la palanca 10 no se puede accionar. El cambio del sentido de rotación se efectúa solamente cuando el martillo perforador está en reposo.

Al operar en sentido de rotación inverso al de la aguja del reloj (sentido izquierdo), el gatillo del interruptor es con marcha limitada y la máquina funciona a revoluciones desde la posición "A" hasta "E" del regulador electrónico 11. El botón de bloqueo 13 funciona también hasta la posición "E".

## **CONMUTACIÓN DE LOS RÉGIMENES DE OPERACIÓN**

La conmutación de los regímenes de operación debe efectuarse consecutivamente cuando la máquina está en reposo o en proceso de detenerse.

Se aprieta el fijador 5 del conmutador de los regímenes de operación 6, y, simultáneamente, el conmutador ha de girarse hasta la posición deseada:

- perforación: perforación de orificios en metal, madera, plástico, etc.
- perforación de percusión: perforación de orificios en hormigón, piedra, etc.

- **cincelado:** cincelado de canales en hormigón y demolición.
- **ajuste del cincel:** para una mayor comodidad durante la operación, el cincel debe colocarse en la posición deseada y fijarse.

## **COLOCACIÓN Y APRIETE DE LA BROCA SDS PLUS**

El casquillo liberador 14 de la caja 2 debe tirarse hacia atrás, hasta el final. La broca SDS plus se introduce hasta el tope, observando que las estrías de la caja entren en los canales de su cola, después de lo cual el casquillo liberador se afloja, y la broca se inmoviliza. Un mecanismo especial no permite que la broca salga sin que se hayan repetido las operaciones indicadas anteriormente.

## **COLOCACIÓN Y APRIETE DE LA BROCA CON COLA CILÍNDRICA EN EL MANDRIL**

El adaptador 3 se coloca en la caja 2 de la forma descrita anteriormente. El mandril de tres garras III se enrosca al adaptador 3 y se fija con el tornillo de seguridad 1. En esta configuración, el martillo perforador puede funcionar en régimen "broca".

### **En máquinas con mandril de tres garras**

Al girar la corona del mandril III en el sentido de la aguja del reloj o viceversa, sus garras se desplazan hasta la posición que permite que la cola de la broca pueda introducirse entre ellas. Al girar la corona del mandril III en el sentido de la aguja del reloj, las garras aprietan la cola de la broca. Con la llave especial, la broca se fija definitivamente en el mandril, apretándose uniformemente en las tres aberturas.

### **En máquinas con mandril de apriete rápido**

Se retiene la parte posterior de la corona, girando la corona delantera hasta que el mandril se abra suficientemente para colocar la broca. Posteriormente, la corona delantera se atiesa manualmente, oyéndose un sonido claro.

## **DESMONTAJE DEL MANDRIL DEL ADAPTADOR DEL MARTILLO PERFORADOR**

### **En máquinas con mandril de tres garras**

Las garras del mandril III se abren hasta el final, y, con la ayuda de un destornillador, se desenrosca el tornillo de seguridad con rosca izquierda. El adaptador 3 del martillo perforador se fija con la llave S17. La llave especial para

atiesar el mandril se coloca en una de las tres aberturas, y, girando en el sentido inverso de la aguja del reloj, utilizando la llave para palancas, se desenrosca el mandril III del adaptador del martillo perforador.

### **En máquinas con mandril de apriete rápido**

Se retiene la corona posterior, girando la corona anterior hasta que el mandril se abra hasta el final. Con la ayuda de un destornillador, se desenrosca el tornillo de seguridad con rosca izquierda. En el mandril se coloca una llave hexaédrica o el mecanismo para enroscar tornillos, cuyo extremo libre se atiesa de forma apropiada. El adaptador 3 del martillo perforador se agarra con una llave de tuercas y el mandril ha de girarse en el sentido inverso de la aguja del reloj.

## **COLOCACIÓN DEL CINCEL CON COLA SDS PLUS**

El conmutador de los regímenes de operación 6 se coloca en la posición "martillo". El casquillo liberador 14 de la caja 2 se tira hacia atrás. El cincel se introduce hasta el tope, observando que las estrías de la caja entren en los canales de su cola, y, posteriormente, el casquillo liberador se afloja, inmovilizándose el cincel. El conmutador 6 se coloca frente al símbolo "punto" para ajustar el cincel. En esta posición del conmutador 6, el cincel puede girarse a la posición de operación deseada, y, posteriormente, el conmutador 6 debe girarse hasta que se fije en la posición "martillo". Para operar con el cincel, el conmutador 6 debe estar siempre en la posición "martillo".

## **DESENROSCAR Y ENROSCAR PERNOS, TORNILLOS Y TUERCAS**

En el mandril III se atiesa, de la forma descrita anteriormente, el dispositivo correspondiente para enroscar, respectivamente, desenroscar pernos, tornillos o tuercas. El conmutador 6 de los regímenes de operación se coloca frente al símbolo "broca". Con la palanca 10, para cambiar el sentido de rotación, se selecciona la operación de desenroscar o enroscar. Las operaciones se efectúan solamente a revoluciones bajas.



**ADVERTENCIA:** ¡Al enroscar pernos y tornillos largos, existe peligro de que el martillo perforador se deslice!

## ASIDERO ADICIONAL

### ASIDERO ADICIONAL

El asidero adicional 9 se atiesa al gollete 4 del martillo perforador. Por motivos de seguridad, el asidero adicional 9 debe usarse constantemente. La profundidad de las aberturas perforadas puede fijarse mediante la línea demarcadora 8. El asidero adicional de estos modelos está conectado con el cuerpo de la máquina mediante elementos vibroamortiguadores, lo cual protege al operador y reduce el cansancio durante la operación.

## LIMITACIÓN DEL MOMENTO ROTATORIO

El acoplador protector de la máquina limita el momento rotatorio. Al accionarse el acoplador protector, se suspende el accionamiento del husillo y la herramienta de operación (broca) deja de girar. La máquina debe desconectarse inmediatamente para evitar un desgaste anticipado.

## RECOMENDACIONES DURANTE LA OPERACIÓN

Cuando las temperaturas son bajas y si la máquina no ha funcionado durante largo tiempo, déjela funcionar durante cierto tiempo en marcha en vacío para calentarse. De esta forma mejora la lubricación. La perforación con percusión es imposible si la máquina no se ha calentado correctamente.

Aplique una presión moderada al perforar en hormigón (aproximadamente, 80-100 N). La presión grande no eleva la productividad de la máquina al perforar, y conlleva la reducción de la vida de la máquina.

Antes de colocarla en la máquina, la cola de la herramienta de trabajo debe limpiarse y lubricarse. De vez en cuando, saque la broca de la abertura para quitar el polvo. Debe observarse el grado de embotamiento de la broca y cambiarla al observar una disminución considerable de la productividad.

En la posición extrema izquierda de la palanca 10, no se debe operar en el régimen «perforación de percusión», ni en el régimen «martillo». Al operar en el régimen «martillo» (excavación, demolición) y en el régimen «perforación de percusión», dependiendo del material, es posible que en algunos casos la fuerza de percusión disminuya. Para recuperar la fuerza máxima de percusión, es necesario reducir las revoluciones de la máquina, disminuyendo la presión sobre

el gatillo del interruptor 12, hasta que surja una percusión estable.

Al perforar aberturas de gran diámetro en metal, perfóre previamente un orificio de diámetro más pequeño.

El alcance óptimo al perforar en hormigón es hasta 16 mm, y el alcance posible es hasta 26 mm.

El martillo perforador es apropiado para un procesamiento ligero con cincel. La mayor duración del martillo perforador y su alta productividad pueden garantizarse únicamente con herramientas de excavación (cinceles) afiladas(os).

## ACCESORIOS QUE PUEDEN UTILIZARSE CON ESTA HERRAMIENTA ELÉCTRICA

- Brocas para metal con diámetro de Ø3 mm a Ø13 mm
- Brocas para madera con diámetro de Ø3 mm a Ø30 mm
- Brocas para hormigón SDS plus con diámetro de Ø3 mm a Ø26 mm
- Brocas trepanadoras SDS plus con diámetro hasta Ø65 mm
- Punzones SDS+ con longitud hasta 250 mm
- Cinceles SDS+ con anchura hasta 40 mm
- Zanjeadoras SDS+ con longitud hasta 22 mm
- Terminales con hexaedro de unión 6.35 mm (1/4") para enroscar tornillos



**ADVERTENCIA:** Para operar con esta herramienta eléctrica, se recomiendan los accesorios o los dispositivos indicados anteriormente. El uso de accesorios o dispositivos diferentes de los indicados es una premisa de accidente de trabajo. Utilice los accesorios o los dispositivos solamente según el fin con que han sido concebidos. Si necesita información adicional respecto a estos accesorios, diríjase al centro de servicio local de SPARKY.

## VII - Mantenimiento

---



**ADVERTENCIA:** Desconecte siempre la herramienta eléctrica y saque el enchufe de la toma de corriente antes de realizar cualquier revisión o mantenimiento.

### REVISIÓN GENERAL

---

Revise regularmente todos los elementos de entibación y cerciúrese de que hayan sido bien atiesados. En caso de que alguno de los tornillos se haya aflojado, apriételo inmediatamente para evitar situaciones de riesgo.

Si el cable de alimentación está dañado, su sustitución debe efectuarse por el fabricante o por un técnico de servicio suyo para evitar los peligros de la sustitución.

### LIMPIEZA

---

Para una operación segura, mantenga siempre limpios la máquina y los orificios de ventilación.

Revise regularmente si en la rejilla de ventilación, cerca del motor eléctrico o en torno a los conmutadores no han entrado polvo o cuerpos ajenos. Utilice un cepillo suave para quitar el polvo acumulado. Para proteger sus ojos, lleve gafas de protección durante la limpieza.

Si el cuerpo de la máquina necesita limpieza, límpielo con un paño suave y húmedo. Puede emplearse un detergente de limpieza suave



**ADVERTENCIA:** No se deben usar alcohol, gasolina ni otros disolventes. No utilice nunca detergentes de limpieza corrosivos para limpiar las piezas de plástico.



**ADVERTENCIA:** El agua no debe entrar en contacto con la máquina.

**¡IMPORTANTE!** Para garantizar una operación segura con la herramienta eléctrica y su fiabilidad, todas las actividades de reparación, mantenimiento y regulación (incluidas la revisión y la sustitución de los cepillos) deben efectuarse en los centros de servicio autorizados de SPARKY, utilizando solamente piezas de recambio originales.

## VIII - Garantía

---

El plazo de garantía de las herramientas eléctricas SPARKY se determina en la tarjeta de garantía.

Los defectos que hayan surgido como consecuencia del desgaste natural, de la sobrecarga o de la explotación incorrecta se excluyen de las obligaciones de la garantía.

Los defectos que hayan surgido como consecuencia de que se hayan invertido materiales de baja calidad y/o de errores de fabricación, serán subsanados sin pago adicional, mediante sustitución o reparación.

La reclamación por una herramienta eléctrica SPARKY defectuosa será reconocida cuando la máquina haya sido devuelta al proveedor o cuando haya sido presentada en un centro de servicio de garantía autorizado en su estado sin desmontar (inicial).

## Observaciones

---

Lea atentamente todo el manual de usuario antes de usar este producto.

El fabricante se reserva el derecho de introducir mejoras y modificaciones en sus productos, así como modificar las especificaciones, sin notificarlo.

Las especificaciones pueden variar para cada país.

# Conteúdo

I - Introdução .....	54
II - Dados técnicos.....	56
III - Indicações gerais de segurança do trabalho com ferramentas eléctricas .....	57
IV - Refras adicionais de segurança do trabalho com perfuradores.....	58
V - Conhecimento da ferramenta eléctrica .....	A/60
VI - Instruções para o trabalho .....	60
VII - Manutenção .....	63
VIII - Garantia .....	64

## DESEMBALAGEM

De acordo com as tecnologias de produção geralmente utilizadas, é pouco provável o novo instrumento eléctrico que você adquiriu ser ineficiente ou lhe faltar alguma peça. Mesmo assim, se você verificar que qualquer coisa não está bem, não trabalhe com o instrumento, enquanto a peça ineficiente não for substituída, ou a imperfeição não ficar eliminada. O não seguimento desta recomendação é capaz de provocar um acidente de trabalho grave.

## ENSAMBLAGEM

O perfurador, embalado em mala, suministra-se completamente ensamblado.  
O perfurador, em caixa, suministra-se ensamblado, excepto a manipula complementar.

## I - Introdução

O novo instrumento eléctrico SPARKY que adquiriu vai ultrapassar as suas expectativas. Ele foi fabricado de acordo com os mais elevados padrões de qualidade da SPARKY, os quais vão de encontro com as exigências mais rigorosas do consumidor. Fácil de manutenção e seguro durante a utilização, sendo correctamente manipulado, este instrumento eléctrico servir-lhe-á fielmente durante muitos anos.

### ATENÇÃO!



Leia atentamente toda a instrução para o uso, antes de começar a trabalhar com o seu novo instrumento eléctrico SPARKY. Preste especial atenção aos textos que começam com a palavra "Atenção". O seu instrumento eléctrico SPARKY possui qualidades que não de facilitar o seu trabalho. Ao ser fabricado este instrumento eléctrico, maior atenção foi prestada à segurança, às qualidades de exploração e à fiabilidade, as quais fazem dele um instrumento fácil de manutenção e de exploração.



### **Não deitar o instrumento eléctrico para o lixo comum!**

Os resíduos de aparelhos eléctricos não se devem misturar com o lixo comum. Mande-os para reciclagem nos lugares destinados a isso. Ponha-se em contacto com as autoridades locais ou com um representante para consultar a forma de reciclagem.

## PROTECÇÃO DO MEIO AMBIENTE



Visando a protecção do meio ambiente, o instrumento eléctrico, os seus acessórios e embalagem têm de ser submetidos a uma adequada reelaboração para serem novamente utilizadas as matérias primas contidas neles.

Para facilitar a reciclagem, as peças feitas de materiais sintéticos levam a respectiva denotação.



## DESCRIÇÃO DOS SÍMBOLOS

Sobre a chapa com os dados do instrumento eléctrico estão denotados os símbolos especiais que fornecem importante informação sobre o artefacto ou recomendações para o seu uso.



Duplo isolamento para protecção adicional.



Conformidade com as directrizes europeias aplicáveis.



De acordo com os critérios russos de segurança.



Conformidade com as exigências dos documentos normativos ucranianos.



Leia a instrução para o uso.


YYYY-Www Período de fabrico, onde os símbolos variáveis são:

YYYY – ano de fabrico,

Www – a respectiva semana corrente do calendário

BPR Perfurador.

## II - Dados técnicos

<b>Modelo</b>	<b>BPR 261E</b>
Capacidade de consumo	820 W
Rotações ao ralenti	
À direita	0-1300 min <sup>-1</sup>
À esquerda	0-740 min <sup>-1</sup>
Regulação electrónica das rotações	sim
Mudança do sentido de rotação	sim
Embraiagem mecânica protectora	sim
Alcance do chuck	1,5-13 mm
Número máximo das percussões	5450 min <sup>-1</sup>
Diâmetro máximo da broca:	
Para concreto	26 mm
Para aço	13 mm
Para madeira	30 mm
Sistema de afixação da ferramenta	SDS plus
Peso (EPTA procedimento 01/2003)	3,1 kg
Classe de protecção (EN 60745-1) 	II

### INFORMAÇÃO SOBRE RUÍDO E VIBRAÇÕES

Os valores foram medidos segundo EN 60745.

#### Emissão de ruído

A-nível avaliado de pressão sonora L <sub>pA</sub>	90,0 dB (A)
Indefinição K <sub>pA</sub>	3,0 dB (A)
A-nível avaliado de potência sonora L <sub>wA</sub>	101,0 dB (A)
Indefinição K <sub>wA</sub>	3,0 dB (A)

#### Utilize meios de protecção do ruído!

#### Emissão de vibrações \*

Valor global das vibrações (soma vectora pelos três eixos), determinado segundo EN 60745:

Perfuração de percussão em betão	
Valor das vibrações emanadas a <sub>h,HD</sub>	15,0 m/s <sup>2</sup>
Indefinição K <sub>HD</sub>	1,5 m/s <sup>2</sup>
Demolição	
Valor das vibrações emanadas a <sub>h,ChEq</sub>	11,5 m/s <sup>2</sup>
Indefinição K <sub>ChEq</sub>	1,5 m/s <sup>2</sup>
Perfuração em aço	
Valor das vibrações emanadas a <sub>h,D</sub>	6,5 m/s <sup>2</sup>
Indefinição K <sub>D</sub>	1,5 m/s <sup>2</sup>

\* As vibrações são determinadas segundo o p. 6.2.7 de EN 60745-1.

O nível das vibrações, indicado neste manual, foi determinado com base no teste indicado por EN 60745 e pode ser utilizado para a comparação de instrumentos eléctricos. O nível das vibrações pode ser utilizado para a avaliação prévia do grau de impacto.

O nível das vibrações declarado refere-se à utilização principal do instrumento. Caso o instrumento eléctrico seja utilizado para outros fins, ou forem utilizados outros acessórios, ou o instrumento não for bem tratado, o nível das vibrações diferenciar-se-á do declarado. Em tais casos o nível do impacto pode crescer consideravelmente dentro do período laboral total.

Ao avaliar o nível de impacto das vibrações, é preciso considerar também o tempo em que o instrumento está desligado, ou está ligado, mas sem funcionar. Tal pode diminuir consideravelmente o nível do impacto dentro do período laboral total.

Mantenha o instrumento eléctrico e os acessórios em bom estado. Cuide as mãos quentes durante o trabalho – isto vai diminuir o efeito nocivo do trabalho com instrumentos de vibração elevada.

O pó resultante do processamento dos materiais tais como pinturas com conteúdo de chumbo, certos tipos de madeiras, minerais e metais, pode ser nocivo para a saúde. O contacto directo ou a aspiração

do pó pode causar reacções alérgicas e/ou doenças das vias respiratórias do trabalhador ou das pessoas que se encontram perto dele.

Alguns tipos de pó, por exemplo o de carvalho ou de faia consideram-se carcinogênicos, sobretudo em combinação com ingredientes utilizados no processamento da madeira, tais como cromato ou conservantes.

O material que contém amianto tem de ser processado só por especialistas.

- Quando for possível, utilize sistemas para o desvio do pó.
- Para atingir maior grau de captação do pó, ao trabalhar com o instrumento, utilize aspirador de pó.
- Garanta a boa ventilação do local de trabalho.
- Recomenda-se o uso de máscara anti pó com filtro da classe P2.

Cumpra as regras vigentes no Seu país referentes ao processamento dos diferentes materiais.

### III - Indicações gerais de segurança do trabalho com ferramentas eléctricas



**ATENÇÃO!** Devem ser lidas todas as indicações de advertência e todas as instruções. O desrespeito das advertências e instruções apresentadas abaixo pode causar choque eléctrico, incêndio e/ou graves lesões.

**Guarde bem todas as advertências e instruções para futura referência.**

O termo “Ferramenta eléctrica” utilizado a seguir nas indicações de advertência, refere-se a ferramentas eléctricas operadas com corrente de rede (com cabo de rede) e a ferramentas eléctricas operadas com bateria (sem cabo de rede).

#### 1) Segurança da área de trabalho

- Mantenha a sua área de trabalho sempre limpa e bem iluminada.** Desordem ou áreas de trabalho insuficientemente iluminadas podem levar a acidentes.
- Não trabalhar com a ferramenta eléctrica em áreas com risco de explosão, nas quais se encontrem líquidos, gases ou pós inflamáveis.** Ferramentas eléctricas produzem faíscas, que podem inflamar pós ou vapores.
- Manter crianças e outras pessoas afastadas da ferramenta eléctrica durante a utilização.** No caso de distração é possível que perca o controlo sobre o aparelho.

#### 2) Segurança eléctrica

- A ficha de conexão da ferramenta eléctrica deve caber na tomada. A ficha não deve ser modificada de maneira alguma. Não utilizar uma ficha de adaptação jun-**

**to com ferramentas eléctricas protegidas por ligação a terra.** Fichas não modificadas e tomadas apropriadas reduzem o risco de um choque eléctrico.

- Evitar que o corpo possa entrar em contacto com superfícies ligadas a terra, como tubos, aquecimentos, fogões e frigoríficos.** Há um risco elevado devido a choque eléctrico, se o corpo estiver ligado a terra.
  - Manter o aparelho afastado de chuva ou humidade.** A infiltração de água numa ferramenta eléctrica aumenta o risco de choque eléctrico.
  - Não deverá utilizar o cabo para outras finalidades. Jamais utilizar o cabo para transportar a ferramenta eléctrica, para pendurá-la, nem para puxar a ficha da tomada. Manter o cabo afastado de calor, óleo, cantos afiados ou partes do aparelho em movimento.** Cabos danificados ou emaranhados aumentam o risco de um choque eléctrico.
  - Se trabalhar com uma ferramenta eléctrica ao ar livre, só deverá utilizar cabos de extensão apropriados para áreas exteriores.** A utilização de um cabo de extensão apropriado para áreas exteriores reduz o risco de um choque eléctrico.
  - Se não for possível evitar o funcionamento da ferramenta eléctrica em áreas húmidas, deverá ser utilizado um disjuntor de corrente de avaria.** A utilização de um disjuntor de corrente de avaria reduz o risco de um choque eléctrico.
- #### 3) Segurança de pessoas
- Esteja atento, observe o que está a fazer e tenha prudência ao trabalhar com a ferramenta eléctrica. Não utilizar uma ferramenta eléctrica quando estiver fadigado ou sob a influência de drogas, álcool ou medicamentos.** Um momento de descuido ao utilizar a ferramenta eléctrica, pode levar a lesões graves.

- b) **Utilizar equipamento de protecção pessoal e sempre óculos de protecção.** A utilização de equipamento de protecção pessoal, como máscara de protecção contra pó, sapatos de segurança antiderrapantes, capacete de segurança ou protecção auricular, de acordo com o tipo e aplicação da ferramenta eléctrica, reduz o risco de lesões.
- c) **Evitar uma colocação em funcionamento involuntária.** Assegure-se de que a ferramenta eléctrica esteja desligada, antes de conectá-la a alimentação de rede e/ou ao acumulador, antes de levantá-la ou de transportá-la. Se tiver o dedo no interruptor ao transportar a ferramenta eléctrica ou se o aparelho for conectado a alimentação de rede enquanto estiver ligado, poderão ocorrer acidentes.
- d) **Remover ferramentas de ajuste ou chaves de boca antes de ligar a ferramenta eléctrica.** Uma ferramenta ou chave que se encontre numa parte do aparelho em movimento pode levar a lesões.
- e) **Evite uma posição anormal. Mantenha uma posição firme e mantenha sempre o equilíbrio.** Desta forma é mais fácil controlar a ferramenta eléctrica em situações inesperadas.
- f) **Usar roupa apropriada. Não usar roupa larga nem jóias. Mantenha os cabelos, roupas e luvas afastadas de partes em movimento.** Roupas frouxas, cabelos longos ou jóias podem ser agarrados por peças em movimento.
- g) **Se for possível montar dispositivos de aspiração ou de recolha, assegure-se de que estejam conectados e utilizados correctamente.** A utilização de uma aspiração de pó pode reduzir o perigo devido ao pó.
- 4) Utilização e manuseio cuidadoso de ferramentas eléctricas**
- a) **Não sobrecarregue o aparelho. Utilize a ferramenta eléctrica apropriada para o seu trabalho.** É melhor e mais seguro trabalhar com a ferramenta eléctrica apropriada na área de potência indicada.
- b) **Não utilizar uma ferramenta eléctrica com um interruptor defeituoso.** Uma ferramenta eléctrica que não pode mais ser ligada nem desligada, é perigosa e deve ser reparada.
- c) **Puxar a ficha da tomada e/ou remover o acumulador antes de executar ajustes no aparelho, de substituir acessórios ou de guardar o aparelho.** Esta medida de segurança evita o arranque involuntário da ferramenta eléctrica.
- d) **Guardar ferramentas eléctricas não utilizadas fora do alcance de crianças. Não permita que pessoas que não estejam familiarizadas com o aparelho ou que não tenham lido estas instruções, utilizem o aparelho.** Ferramentas eléctricas são perigosas se forem utilizadas por pessoas inexperientes.
- e) **Tratar a ferramenta eléctrica com cuidado. Controlar se as partes móveis do aparelho funcionam perfeitamente e não emperram, e se há peças partidas ou danificadas que possam prejudicar o funcionamento da ferramenta eléctrica. Permitir que peças danificadas sejam reparadas antes da utilização.** Muitos acidentes têm como causa, a manutenção insuficiente de ferramentas eléctricas.
- f) **Manter as ferramentas de corte afiadas e limpas.** Ferramentas de corte cuidadosamente tratadas e com cantos de corte afiados emperram com menos frequência e podem ser conduzidas com maior facilidade.
- g) **Utilizar a ferramenta eléctrica, acessórios, ferramentas de aplicação, etc. conforme estas instruções. Considerar as condições de trabalho e a tarefa a ser executada.** A utilização de ferramentas eléctricas para outras tarefas a não ser as aplicações previstas, pode levar a situações perigosas.
- 5) Serviço**
- a) **Só permita que o seu aparelho seja reparado por pessoal especializado e qualificado e só com peças de reposição originais.** Desta forma é assegurado o funcionamento seguro do aparelho.

## IV - Refras adicionais de segurança do trabalho com perfuradores



- Use meios de protecção do ouvido ao trabalhar com perfuradoras.** O barulho intenso durante o trabalho pode causar danos auditivos.
- **Sempre use a manipula adicional fornecida com o instrumento.** A perda de controlo pode provocar acidente de trabalho.



**Durante o trabalho use meios de protecção dos olhos contra partículas voantes. Use óculos protectores.**



**Tome medidas preventivas contra a aspiração de pó. Alguns materiais podem conter elementos tóxicos. Use máscara anti-pó. Use equipamento de remoção do pó, caso seja possível juntá-lo ao instrumento eléctrico.**

- **Pegue no instrumento só pelas superfícies isoladas, quando efectua operação na qual a superfície cortante pode entrar em contacto com instalação eléctrica escondida ou com o cordão próprio. O contacto da superfície cortante com cabo sob tensão vai deixar as partes metálicas descobertas do instrumento sob tensão e o operário pode sofrer choque eléctrico.**
- Não processe materiais que contêm amianto. O amianto considera-se substância carcinogénica.



**ADVERTÊNCIA:** Antes de ligar o instrumento à rede alimentadora, verifique se a tensão na rede eléctrica corresponde à que está marcada na placa das características técnicas do instrumento.

- Fonte de alimentação cuja tensão é maior do que a indicada para o instrumento, pode causar tanto um grave dano de choque eléctrico no operário, como avaria do instrumento.
- Se tiver quaisquer hesitações, não meta a ficha de tomada do instrumento na rede de alimentação.
- Fonte de alimentação cuja tensão é menor do que a indicada para o instrumento, pode causar tanto um grave dano ao motor eléctrico.
- Para evitar eventual sobre-aquecimento, sempre desenrole até ao fim o cordão a partir dum extensor com cabo de bateria.
- Quando se precisa usar extensão, convença-se de que a sua secção corresponde a corrente nominal do instrumento, como também da perfeição da extensor.



**ADVERTÊNCIA:** Sempre desligue a ficha da tomada antes de realizar quaisquer consertos, reparações ou manutenção, bem como nos casos de queda da tensão alimentadora.

- Durante o trabalho pegue na máquina bem com as duas mãos y mantenha o corpo em posição estável. O instrumento maneja-se melhor com as duas mãos.
- Antes de iniciar o trabalho, revise com um explorador de metais apropriado a presença de instalação eléctrica, gasoduto ou aqueduto escondidos. Procure a colaboração dos respectivos serviços competentes. O contacto do disco com instalação eléctrica escondida pode causar choque eléctrico. Uma avaria no gasoduto pode provocar explosão. A perfuração de aqueduto pode causar danos ao imóvel ou trauma de corrente eléctrica.
- Mantenha o cabo alimentador fora do alcance operacional do instrumento.
- Não se admite trabalhar com o cabo alimentador avariado. Se o cabo de alimentação está danificado, não pegue nele e retire a ficha de tomada da rede alimentadora. se o cabo ficar avariado durante o processo de trabalho. Os cabos avariados aumentam o risco de choque eléctrico.
- Mantenha sempre a posição estável do corpo. Ao trabalhar a uma determinada altura verifique se não fica ninguém debaixo
- Fixe a peça processada com um grampo ou outro modo adequado.
- Esteja alerta do momento de inércia na altura do arranco do instrumento ou de travamento da broca. Sempre desligue o instrumento, se a broca ficar travada. Esteja alerta do momento reactivo elevado que pode causar ricochete. A broca ficará bloqueada se sobrecarregar o instrumento ou a brica ficar travada no instrumento processado.
- Não pegue na broca ou na peça processada imediatamente depois do trabalho – eles podem ter ficado muito quentes e podem causar-lhe queimaduras na pele.
- Mantenha limpo o posto de trabalho. A mistura de pó de diferentes materiais é sumamente perigosa. O pó de metais ligeiros pode incendiar-se ou explodir.
- Nunca deixe na zona operacional estopas, cordões, farrapos, etc.
- Sempre desligue a ferramenta antes de deixá-lo de lado.
- O instrumento eléctrico tem de se usar só para o que for destinado. Qualquer outro uso diferente do que está descrito nesta instrução considerar-se-á uso incorrecto. A responsabilidade de qualquer avaria ou ferimento que decorrem do uso incorrecto será assumida pelo consumidor e não pelo fabricante.

- Para explorar correctamente esta ferramenta, tem de observar as regras de segurança, as instruções gerais e as indicações para o trabalho aqui assinaladas. Todos os consumidores têm de conhecer esta instrução e estar informados sobre os riscos potenciais ao trabalhar com a ferramenta. Crianças e pessoas de físico fraco não têm de trabalhar com a ferramenta. As crianças têm de encontrar-se sob vigilância permanente, caso se encontrarem perto do lugar onde se trabalha com a ferramenta. É preciso serem tomadas obrigatoriamente medidas preventivas de segurança. O mesmo refere-se à observância das regras principais de saúde profissional e segurança técnica.
- O fabricante não assume a responsabilidade pelas alterações feitas na ferramenta pelo consumidor, nem pelas avarias que decorrem dessas alterações.
- A ferramenta não tem de ser usada ao ar livre em tempo de chuva, em ambiente húmido (depois de chuva) ou perto de líquidos e gases facilmente inflamáveis. O local de trabalho tem de ficar bem iluminado.

## V - Conhecimento da ferramenta eléctrica

Antes de começar a trabalhar com o instrumento eléctrico, conheça todas as suas especificidades operacionais e as condições de segurança.

Use o instrumento e os seus acessórios só para o que forem destinados. Qualquer outra aplicação é terminantemente proibida.

1. Parafuso assegurador
  2. Encaixe para SDS+ brocas
  3. Adaptador
  4. Pescoço do perfurador
  5. Afixador
  6. Comutador dos regimes operacionais
  7. Aberturas de ventilação
  8. Linha limitadora
  9. Manipula complementar
  10. Alavanca para mudança do sentido de rotação
  11. Regulador electrónico das rotações
  12. Interruptor
  13. Botão de afixação do interruptor
- III. Chuck de tres mandíbulas

## VI - Instruções para o trabalho

Este modelo de ferramenta eléctrica alimenta-se unicamente por tensão alternada monofásica. Pode-se juntar a tomadas sem clips de segurança, pois tem duplo isolamento conforme EN 60745-1 e IEC 60745. As radio-perturbações correspondem à Directriz sobre a compatibilidade electromagnética 2004/108/EC.

Esta ferramenta eléctrica destina-se à perfuração à percussão de aberturas em concreto, pedra, alvenaria e outros materiais quebradiços e para aberturas em aço, madeira, plásticos, etc.

### ANTES DE COMEÇAR O TRABALHO

- Verifique se a tensão da rede eléctrica corresponde à que está indicada sobre a chapa com os dados técnicos do instrumento eléctrico.
- Verifique em que posição se encontra o interruptor. O instrumento tem de se ligar e desligar da rede só com o interruptor nulificado. Se meter o plug na rede enquanto o interruptor estiver em posição de accionado, o instrumento accionar-se-á imediatamente, o qual é premissa para um acidente.
- Assegure-se da perfeição do cabo de alimentação e do pino de tomada. Se o cabo de alimentação está danificado, a sua substituição tem de se fazer pelo produtor ou por especialista de serviço autorizado por ele para evitar os perigos decorrentes dessa operação.



**ADVERTÊNCIA:** Desligue a ficha da tomada antes de realizar quaisquer consertos, reparações ou manutenção, bem como nos casos de queda da tensão alimentadora.

- Se a zona de trabalho estiver afastada da fonte de alimentação, use extensor quanto mais curto possível de secção adequada.
- Verifique se a manipulação adicional está correctamente colocada e bem apertada.

### ARRANCO - PARAGEM

#### Funcionamento de pouca duração:

- Arranco: O interruptor 12 aperta-se.
- Paragem: O interruptor 12 afrouxa-se.

#### Funcionamento duradouro:

- Arranco: O interruptor 12 aperta-se em posição da alavanca 10 no sentido à direita e nesse estado trava-se com o botão 13.

- Paragem: O interruptor 12 aperta-se uma vez só e afrouxa-se imediatamente.

## **CONTROLO DA VELOCIDADE INFINITAMENTE VARIÁVEL**

O apertar leve do interruptor 12 provoca o accionamento do perfurador a baixa velocidade. As rotações aumentam paulatinamente até ao máximo, aumentando a pressão sobre o interruptor até chegar à posição final.

## **ESCOLHA DA FREQUÊNCIA DE ROTAÇÃO**

A frequência de rotação necessária escolhe-se previamente girando o disco do regulador 11 no sentido "G" para aumentar as rotações e no sentido "A" – para reduzi-las. Deste modo garante-se o regime óptimo de perfuração em diferentes materiais – metal, concreto, etc..

## **MUDANÇA DO SENTIDO DA ROTAÇÃO**

Antes de começar a perfuração, verifique sempre o sentido de rotação.

A posição extrema direita da alavanca 10 significa rotação no sentido horário, ao passo que a extrema esquerda significa o sentido contrário. Ao pressionar para baixo o interruptor 12, a alavanca 10 não pode accionar-se. A mudança do sentido de rotação faz-se somente quando o perfurador está em repouso.

Ao trabalhar no sentido de rotação anti-horário (sentido à esquerda), o gatilho do interruptor tem a marcha limitada e a ferramenta trabalha com rotações de "A" e "E" do regulador electrónico 11. Até à posição "E" trabalha também o botão de afiação 13.

## **COMUTAÇÃO DOS REGIMES OPERACIONAIS**

A comutação dos regimes operacionais faz-se consequentemente quando a ferramenta está em repouso ou tendendo a parar.

Aperta-se o afixador 5 do comutador dos regimes operacionais 6, ao mesmo tempo que o comutador se dobra até à posição desejada.

- Perfuração – perfuração de aberturas em metal, madeira, plástico, etc.
- Perfuração à percussão - perfuração de aberturas em concreto, pedra, etc.
- Escavação – escavação de canais e demolição em concreto.
- Conserto da posição do buril – para maior comodidade do trabalho, o buril coloca-se na posição desejada e fixa-se.

## **COLOCAÇÃO E APERTO DE SDS-PLUS BROCA**

A bucha libertadora 14 do encaixe 2 puxa-se para trás até ao fim. A SDS-Plus broca mete-se até sentir resistência, procurando que as ranhuras do encaixe entrem nos canais da sua cauda, depois do qual a bucha libertadora afrouxa-se e a broca afixa-se. Um mecanismo especial não permite a saída da broca sem que sejam repetidas as operações supracitadas.

## **COLOCAÇÃO E APERTO DE BROCA COM CAUDA CILÍNDRICA NO CHUCK**

O adaptador 3 coloca-se no encaixe 2 do modo descrito acima. O chuck de três mandíbulas III dobra-se no adaptador 3 e afixa-se com o parafuso afixador 1. Nesta configuração o perfurador pode trabalhar em regime "broca".

### **Em máquinas com chuck de tres mandíbulas**

Dobrando a coroa do chuck III no sentido horário ou ao contrário, as suas mandíbulas deslocam-se até à posição que permite a cauda da broca entrar entre elas. Dobrando a coroa do chuck III no sentido horário, as mandíbulas apertam a cauda da broca. Com a chave especial a broca afixa-se definitivamente no chuck que se aperta regularmente nas três aberturas.

### **Em máquinas com chuck de rápida definição**

Retém-se a coroa traseira e dobra-se a coroa dianteira até ao chuck ficar suficientemente aberto para ser colocada a broca. Depois aperta-se manualmente a coroa dianteira até ser ouvido o som distintivo.

## **DESMONTAGEM DO CHUCK**

### **Em máquinas com chuck de tres mandíbulas**

As mandíbulas do chuck III abrem-se até ao fim e com a ajuda duma chave de fenda afrouxa-se o parafuso afixador 1 de rosca esquerda. O adaptador 3 do perfurador afixa-se com chave S17.A chave especial para apertar o chuck coloca-se numa das tres aberturas e dobrando no sentido anti-horário com a ajuda da chave para alavanca, retira-se o chuck III do adaptador do perfurador.

### **Em máquinas com chuck de rápida definição**

Retém-se a coroa traseira e dobra-se a coroa dianteira até ao chuck ficar suficientemente aberto. Com a ajuda duma chave de fenda desparafusa-se o parafuso afixador de rosca

esquerda. No chuck coloca-se uma chave hexagonal ou o dispositivo para aparafusar parafusos cujo extremo livre se aperta de modo apropriado. O adaptador 3 do perfurador aperta-se com uma chave inglesa e o chuck dobra-se no sentido anti-horário.

## **COLOCAÇÃO E APERTO DE BURIL COM CAUDA SDS PLUS**

O comutador dos regimes operacionais 6 coloca-se na posição “martelo”. A bucha libertadora 14 do encaixe 2 puxa-se para trás. O buril mete-se até sentir resistência. O comutador 6 coloca-se a frente do símbolo “ponto” para conserto do buril. Nesta posição do comutador 6 o buril pode ser dobrado até à posição operacional desejada. O comutador 6 dobra-se até ficar afixado na posição “martelo”. Para o trabalho com buril o comutador 6 tem de ficar sempre na “martelo.”

## **DESAPARAFUSAMENTO E APARAFUSAMENTO DE PARAFUSOS, PORCAS E PARAFUSOS COM PORCAS**

No chuck III aperta-se do modo descrito supra o respectivo dispositivo para aparafusamento e desaparafusamento de parafusos, porcas e parafusos com porcas. O comutador dos regimes operacionais 6 coloca-se na posição “broca”. Com a alavanca 10 de mudança do sentido da rotação escolhe-se a operação de aparafusamento ou desaparafusamento. As operações realizam-se só à baixa velocidade.



**ADVERTÊNCIA:** Ao aparafusar parafusos de grande comprimento existe o perigo de a perfuradora deslizar-se!

## **MANÍPULA COMPLEMENTAR**

A manípula complementar 9 aperta-se no pescoço 4 do perfurador. Por razões de segurança, a manípula complementar 9 tem de se usar sempre. A profundidade das aberturas perfuradas pode-se fixar mediante a linha limitadora 8. A manípula complementar destes modelos fica juntada ao corpo da máquina mediante elementos que apagam as vibrações, o qual protege ao operador e contribui para diminuir o cansaço durante o trabalho.

## **LIMITAÇÃO DO TORQUE**

A embreagem de protecção da ferramenta limita o torque. Ao accionar-se a embreagem protec-

tora interrompe-se o accionamento do fuso e o instrumento operacional (broca) deixa de girar. A máquina tem de ser imediatamente desconnectada para se evitar o desgaste prematuro.

## **RECOMENDAÇÕES PARA O TRABALHO**

Em ambiente de temperaturas baixas e se a ferramenta não tiver trabalhado há muito tempo, deixe-a trabalhar durante algum tempo ao ralenti. Desse modo melhora a lubrificação. A perfuração à percussão não é possível se a ferramenta não tiver aquecido correctamente..

Aplicue uma pressão moderada na perfuração (aproximadamente 80 – 100 N). A maior pressão não aumenta a produtividade, mas, sim, reduz a vida da ferramenta.

Antes de ser colocada na máquina, a cauda do instrumento operacional tem de se limpar e lubrificar. De vez em quando retire a bruca da abertura para limpar o pó. Observe o grau de embotamento da broca e substitua-o quando a produtividade tiver diminuído sensivelmente.

Na posição de extrema esquerda da alavanca 10 não trabalhe nos regimes “perfuração à percussão” e “martelo”.

Ao trabalhar no regime “martelo” (escavação, demolição) e no regime “perfuração à percussão”, segundo o material, é possível nalguns casos a força da percussão diminuir. Para restabelecer a força normal do golpe, tem de diminuir a velocidade da máquina mediante a diminuição da pressão sobre o gatilho do interruptor 12 até aparecer o golpe estável.

Ao abrir em metal uma abertura de grande diâmetro, abra primeiro uma abertura de diâmetro menor.

O alcance óptimo da perfuração em concreto é até 16 mm e o alcance possível é até 26 mm.

O perfurador é adequado para processamento ligeiro com buril. Maior durabilidade do perfurador e sua maior produtividade podem-se garantir sendo os instrumentos de escavação (buris) bem afiados.

## **ACESSÓRIOS QUE PODEM SER UTILIZADOS COM ESTA FERRAMENTA ELÉCTRICA**

- Brocas para metal com diâmetro de Ø3 mm a Ø13 mm
- Brocas para Madeira com diâmetro de Ø3 mm a Ø30 mm
- Brocas para concreto SDS+ com diâmetro de Ø3 mm a Ø26 mm



- Núcleos de perfuração SDS+ com diâmetro até Ø65 mm
- Sovelas SDS+ de comprimento até 250 mm
- Buris SDS+ de largura até 40 mm
- Escavadores de canais SDS+ com largura até 22 mm
- Bocais de conexão Allen 6.35 mm (1/4") para aparafusamento de parafusos com porca



**ADVERTÊNCIA:** Para o trabalho com esta ferramenta eléctrica recomendam-se as peças e os acessórios indicados. O uso de peças e acessórios diferentes dos indicados constitui omissão para acidente laboral. Use as peças e os acessórios apenas para o que forem destinados. Se precisa de informação adicional sobre esses dispositivos, dirija-se para a oficina local da SPARKY.



**ADVERTÊNCIA:** Não se admite o uso de álcool, gasolina ou outros solventes. Nunca use produtos corrosivos para limpar as partes de plástico.



**ADVERTÊNCIA:** Não se admite a penetração de água em contacto com a ferramenta.

**ATENÇÃO!** Para garantir o trabalho seguro com a ferramenta e sua maior confiança, todas as actividades de reparação, manutenção e regulação (incluindo a revisão e substituição das escovas) têm de se fazer nas oficinas autorizadas da SPARKY, utilizando só peças de sobresselente originais.

## VII - Manutenção



**ATENÇÃO:** Sempre desconecte a ferramenta eléctrica e retire a ficha da rede de contacto antes de realizar qualquer revisão ou manutenção.

### REVISÃO GERAL

Revise regularmente todos os elementos de suporte e convença-se de que estão bem apertados. Caso algum parafuso se tenha afrouxado, aparafuse-o imediatamente para evitar situações de risco

Caso o cabio alimentador tenha ficado avariado, a substituição tem de se fazer pelo fabricante ou pelo seu especialista na oficina de assistência autorizada, para assim evitar os perigos decorrentes da substituição.

### LIMPEZA

Em vista da segurança do trabalho, mantenha sempre limpas a máquina e as aberturas de ventilação.

Revise regularmente se na grade de ventilação perto do motor eléctrico ou ao redor dos comutadores não tenham penetrado pó ou outros corpos alheios. Use uma escova macia para limpar o pó acumulado. Para proteger os olhos, durante a limpeza use óculos protectores.

Caso o corpo da ferramenta precise de limpeza, use um pano macio úmido. Pode usar qualquer detergente fraco.

## VIII - Garantia

---

O prazo de garantia dos instrumentos eléctricos SPARKY está indicado no cartão de garantia. Problemas surgidos em resultado do desgaste natural, sobrecarga ou utilização incorrecta, ficam excluídos dos deveres da garantia. Os problemas surgidos devido ao uso de materiais de baixa qualidade e/ou erros de fabricação, eliminam-se sem pagamento adicional mediante substituição ou reparação.

Reclamação por um instrumento eléctrico SPARKY defeituoso reconhece-se quando o instrumento for devolvido ao distribuidor ou for levado a uma oficina autorizada de assistência em prazo de garantia no seu estado inicial (montado).

## Observações

---

Leia atentamente toda a instrução para o uso, antes de começar a trabalhar com este aparelho. O fabricante reserva-se o direito de introduzir melhoras e modificações nos seus aparelhos, bem como modificar as especificações sem aviso.

As especificações podem variar de país para país.

## Spis treści

I - Wprowadzenie .....	65
II - Dane techniczne .....	67
III - Instrukcje bezpieczeństwa pracy elektronarzędziami .....	68
IV - Dodatkowe przepisy bezpieczeństwa pracy młotem udarowo-obrotowym .....	69
V - Zapoznanie z elektronarzędziem .....	A/71
VI - Wskazówki pracy .....	71
VII - Konserwacja.....	74
VIII- Gwarancja .....	75

### ROZPAKOWYWANIE

Ze względu na nowoczesne metody produkcji masowej, istnieje niewielkie prawdopodobieństwo, iż zakupione przez Państwa narzędzie jest wadliwe, bądź niekompletne. W przypadku stwierdzenia jakichkolwiek nieprawidłowości, nie uruchamiać narzędzia do chwili wymiany części lub usunięcia usterki. Niezastosowanie się do tego zalecenia może skutkować poważnym uszkodzeniem ciała.

### MONTAŻ

Młot udarowo-obrotowy opakowany w walizce dostarcza się całkowicie zmontowany.  
Młot udarowo-obrotowy opakowany w walizce dostarcza się zmontowany, z wyjątkiem rękojeści dodatkowej.

## I - Wprowadzenie

Zakupione przez Państwa elektronarzędzie marki SPARKY spełni nawet najbardziej wygórowane oczekiwania użytkownika. Zostało ono wyprodukowane z zachowaniem rygorystycznych norm jakościowych SPARKY, aby zagwarantować doskonałe parametry pracy. Przekonają się Państwo, że Wasze nowe narzędzie jest łatwe i bezpieczne w obsłudze i, przy zachowaniu odpowiednich zasad użytkowania, będzie Wam niezawodnie służyć przez wiele lat.

### UWAGA!



Prosimy o dokładne zapoznanie się z niniejszą instrukcją obsługi przed użyciem urządzenia SPARKY, zwracając szczególną uwagę na ostrzeżenia i uwagi. Dzięki swoim cechom, urządzenie SPARKY zapewnia szybką i łatwą pracę. Bezpieczeństwo, niezawodność i wydajność były priorytetami przy konstruowaniu tego urządzenia aby zapewnić łatwość obsługi oraz utrzymania.



**Nie wyrzucać produktów elektrycznych razem z odpadami z gospodarstw domowych!**  
Zużyte artykuły elektryczne nie powinny być wyrzucane wraz z odpadami z gospodarstw domowych. Należy je utylizować w przeznaczonych do tego miejscach. Informacji na temat utylizacji udzielają władze lokalne bądź sprzedawcy.

### OCHRONA ŚRODOWISKA



Utylizując urządzenie, osprzęt i opakowanie należy poddać poszczególne elementy sortowaniu z myślą o ochronie środowiska naturalnego. Elementy plastikowe zostały odpowiednio oznaczone, aby umożliwić utylizację wg odpowiedniej klasyfikacji odpadów.

## OPIS SYMBOLI

Na tabliczce znamionowej narzędzia mogą znajdować się symbole oznaczające ważne informacje o produkcie lub instrukcji jego użytkowania.



Podwójna izolacja zapewniająca dodatkową ochronę.



Zgodny z odpowiednimi dyrektywami europejskimi.



Urządzenie spełnia wymagania norm rosyjskich.



Zgodność z wymogami ukraińskich dokumentów normatywnych.




Patrz oryginalna instrukcja obsługi

YYYY-Www Okres produkcji, w którym zmiennymi symbolami są:  
YYYY- roku produkcji,  
Www – tydzień kalendarzowy.

BPR Młot udarowo-obrotowy.

## II - Dane techniczne

<b>Model</b>	<b>BPR 261E</b>
Pobór mocy	820 W
Obroty biegu jałowego	
w kierunku prawym	0-1300 min <sup>-1</sup>
w kierunku lewym	0-740 min <sup>-1</sup>
Regulacja elektroniczna obrotów	tak
Zmiana kierunku obrotu	tak
Zabezpieczające sprzęgło mechaniczne	tak
Zakres uchwytu narzędziowego	1,5-13 mm
Maksymalna ilość uderów	5450 min <sup>-1</sup>
Średnica maksymalna wiertła:	
do betonu	26 mm
do stali	13 mm
do drewna	30 mm
Układ mocowania elektronarzędzia	SDS plus
Ciężar (procedura EPTA 01/2003)	3,1 kg
Klasa ochronności 	II

### INFORMACJA O HAŁASIE I DRGANIACH

Wartości zmierzono zgodnie z EN 60745.

#### Emisja hałasu

A- poziom zważony ciśnienia dźwiękowego L <sub>PA</sub>	90,0 dB (A)
Nieokreśloność K <sub>PA</sub>	3,0 dB (A)
A- poziom zważony natężenia dźwiękowego L <sub>WA</sub>	101,0 dB (A)
Nieokreśloność K <sub>WA</sub>	3,0 dB (A)

#### Stosować środki ochrony przed hałasem!

#### Излъчване на вибрации \*

Wartość łączna drgań (suma wektorowa trzech osi), ustalona zgodnie z EN 60745:

Wiercenie uderowe w betonie	
Wartość emitowanych drgań a <sub>h,HD</sub>	15,0 m/s <sup>2</sup>
Nieokreśloność K <sub>HD</sub>	1,5 m/s <sup>2</sup>
Kruszenie	
Wartość emitowanych drgań a <sub>h,CHeq</sub>	11,5 m/s <sup>2</sup>
Nieokreśloność K <sub>CHeq</sub>	1,5 m/s <sup>2</sup>
Wiercenie w stali	
Wartość emitowanych drgań a <sub>h,D</sub>	6,5 m/s <sup>2</sup>
Nieokreśloność K <sub>D</sub>	1,5 m/s <sup>2</sup>

\* Drgania ustalono zgodnie z pkt. 6.2.7 normy EN 60745-1.

Podany w niniejszej instrukcji poziom drgań został zmierzony zgodnie z określoną przez normę EN 60745 procedurą i może być używany do porównywania urządzeń. Może być stosowany do wstępnego określenia ekspozycji.

Deklarowany poziom emisji drgań odnosi się do głównego zastosowania urządzenia. Jeżeli urządzenie zostanie przeznaczone do innych zastosowań, z innym osprzętem lub nie będzie należycie konserwowane, poziom emisji drgań może się różnić. Może to znacznie zwiększyć poziom ekspozycji w łącznym czasie pracy.

Aby dokładnie określić poziom ekspozycji na drgania, należy także brać pod uwagę okresy gdy urządzenie jest wyłączone, lub gdy nawet jest włączone, ale nie wykorzystywane do pracy. Może to znacznie obniżyć poziom ekspozycji na drgania w łącznym czasie pracy.

Chronić urządzenie oraz osprzęt oraz dbać o zapewnienie ciepła dłoniom podczas pracy w celu obniżenia szkodliwego wpływu drgań.

Pył z takich materiałów jak np. farba zawierająca ołów, niektóre gatunki drewna, minerały oraz metal może być szkodliwy. Kontakt lub inhalacja pyłów może spowodować reakcje alergiczne i/lub choroby

układu oddechowego u operatora lub osób znajdujących się w bezpośredniej bliskości. Pewne odmiany pyłów sklasyfikowane są jako rakotwórcze np. pył dębowy czy bukowy w szczególności w połączeniu z dodatkami zawierającymi chromaty i środki konserwujące. Materiały zawierające azbest mogą być obrabiane jedynie przez specjalistów.

- Tam gdzie możliwe jest stosowanie odciągu pyłów należy je stosować.
  - Aby uzyskać wysoką skuteczność odciągu pyłów, stosować odkurzacz do drewna lub do drewna i minerałów wraz z niniejszym urządzeniem.
  - Miejsce pracy musi być dobrze wentylowane.
  - Zaleca się stosowanie maski p.pyłowej lub filtrów klasy P2.
- Przestrzegać przepisów krajowych odnośnie obrabianych materiałów.

### III - Instrukcje bezpieczeństwa pracy elektronarzędziami



**UWAGA!** Należy zapoznać się z niniejszą ogólną instrukcją bezpieczeństwa oraz całą instrukcją obsługi. *Nie przestrzeganie niniejszych instrukcji może spowodować porażenie prądem, pożar i/lub poważne obrażenia.*

**Zachować niniejsze instrukcje na przyszłość.**

Określenie „elektronarzędzie” odnosi się zarówno do urządzeń zasilanych z sieci (przewodowych) jak i zasilanych bateriami (bezprowadowych).

#### 1) Bezpieczeństwo w miejscu pracy

- Miejsce pracy musi być zawsze dobrze oświetlone i czyste.** *Niedoświetlenie oraz nieład mogą być przyczyną wypadków.*
- Nie należy używać urządzenia w obecności palnych płynów, gazów i pyłów.** *Podczas pracy urządzenia powstają iskry, które mogą zapalić pyły lub opary.*
- Dzieci i osoby postronne nie powinny znajdować się w miejscu pracy elektronarzędziami.** *Brak skupienia może spowodować utratę kontroli nad urządzeniem.*

#### 2) Bezpieczeństwo elektryczne

- Wtyczka urządzenia musi pasować do gniazda zasilającego.** *Nie wolno modyfikować wtyczki w jakikolwiek sposób. Nie stosować żadnych adapterów w przypadku elektronarzędzi wymagających uziemienia. Nie modyfikowane wtyczki oraz gniazda zasilające redukują ryzyko porażenia prądem.*
- Unikać kontaktu z uziemionymi przedmiotami takimi jak, rury, grzejniki, piece i lodówki.** *Ryzyko porażenia prądem*

*wzrasta gdy ciało użytkownika zostanie uziemione.*

- Nie narażać urządzenia na kontakt z deszczem lub wilgocią.** *Woda wnikać do urządzenia zwiększa ryzyko porażenia prądem.*
  - Traktować przewód zasilający zgodnie z przeznaczeniem.** *Nigdy nie stosować przewodu do przenoszenia, przeciągania lub odłączania urządzenia od zasilania. Chronić przewód przed źródłem ciepła, olejami, przedmiotami o ostrych brzegach, ruchomymi częściami urządzeń.* *Uszkodzony lub splątany przewód zwiększa ryzyko porażenia prądem.*
  - Podczas pracy na zewnątrz należy zawsze stosować odpowiedni przewód przedłużający przystosowany do pracy na zewnątrz.** *Stosowanie przewodu przeznaczonego do pracy na zewnątrz zmniejsza ryzyko porażenia prądem.*
  - Jeżeli nie ma możliwości uniknięcia pracy elektronarzędziem w wilgotnym środowisku, należy stosować zasilanie wyposażone w wyłącznik różnicowoprądowy.** *Stosowanie wyłącznika różnicowoprądowego redukuje ryzyko porażenia prądem.*
- #### 3) Bezpieczeństwo osobiste
- Zawsze należy pracować w należyтым skupieniu i kierować się rozsądkiem.** *Nie używać urządzenia będąc zmęczonym lub pozostając pod wpływem narkotyków, alkoholu lub będąc w trakcie leczenia. Chwila nieuwagi podczas pracy urządzeniem może być przyczyną poważnych uszkodzeń ciała.*
  - Stosować wyposażenie ochronne.** *Zawsze używać ochrony oczu. Wyposażenie takie jak maska p.pyłowa, buty na podszwie antypoślizgowej, kask, ochronniki słuchu, stosowane w odpowiednich warunkach, redukuje zagrożenie uszkodzenia ciała.*

- c) **Unikać przypadkowego włączenia urządzenia.** Upewnić się, że włącznik znajduje się w położeniu „wyłączony” przed podłączeniem urządzenia do źródła zasilania lub baterii. *Przenoszenie urządzenia trzymając za włącznik lub podłączając je do zasilania z włącznikiem w pozycji: „włączone” może być przyczyną wypadków.*
  - d) **Usunąć wszelkie klucze przed włączeniem urządzenia.** *Pozostawienie klucza w rotującej części urządzenia może spowodować obrażenia ciała.*
  - e) **Nie przeceniać własnych możliwości.** *Zawsze dbać o odpowiednie oparcie dla nóg oraz balans. Zapewni to lepszą kontrolę w nieoczekiwanych sytuacjach.*
  - f) **Stosować odpowiednie ubranie.** *Nie nosić luźnych ubrań ani biżuterii. Nie zbliżać włosów, ubrania ani rękawic roboczych do ruchomych części urządzenia. Luźne ubranie, biżuteria lub długie włosy mogą utknąć w ruchomych częściach urządzenia.*
  - g) **Jeśli urządzenie jest wyposażone w adapter odprowadzania pyłów, należy sprawdzić czy jest odpowiednio podłączony i używany.** *Stosowanie systemu odprowadzania pyłów może obniżyć niebezpieczeństwa związane z pyleniem.*
- 4) Używanie i konserwacja urządzenia**
- a) **Nie przeciążać urządzenia.** *Stosować odpowiednie urządzenie do każdej pracy. Należy użyć dobrego urządzenia wykonania pracę lepiej i bezpieczniej w trybie do jakiego zostało zaprojektowane*
  - b) **Nie używać urządzenia jeśli włącznik nie działa.** *Każde urządzenie z uszkodzonym włącznikiem jest niebezpieczne i musi zostać naprawione.*
  - c) **Zawsze należy odłączyć urządzenie od zasilania lub odłączyć baterie przed zmianą ustawień, wymianą akcesoriów lub odłożeniem po pracy.** *Takie działanie zmniejszy ryzyko przypadkowego włączenia urządzenia.*
  - d) **Nieużywane urządzenie należy chronić przed dziećmi oraz nie zezwalać niepowołanym osobom nie znającym tego urządzenia lub niniejszej instrukcji na pracę tym urządzeniem.** *Elektronarzędzia są niebezpieczne w rękach nie przeszkolonych osób.*
  - e) **Konserwować elektronarzędzia.** *Sprawdzać połączenia części ruchomych, ewentualne uszkodzenia oraz inne czynniki mogące mieć wpływ na działanie*

urządzenia. W przypadku stwierdzenia uszkodzenia należy naprawić urządzenie przed dalszym użytkowaniem. *Wiele wypadków spowodowanych jest nienależytą konserwacją urządzenia.*

- f) **Narzędzia tnące zawsze muszą być ostre.** *Odpowiednio konserwowane narzędzia tnące z ostrymi krawędziami rzadziej się zacinają w obrabianym materiale i są łatwiejsze w obsłudze.*
  - g) **Niniejsze urządzenie oraz osprzęt do niego muszą być używane zgodnie z niniejszą instrukcją obsługi oraz w zakresie przewidzianym dla danego typu urządzenia.** *Zawsze należy brać pod uwagę rodzaj pracy do wykonania oraz warunki panujące w miejscu pracy. Użycie elektronarzędzi do celów innych niż opisane w niniejszej instrukcji obsługi może spowodować niebezpieczne sytuacje.*
- 5) Serwis**
- a) **Niniejsze urządzenie należy serwisować wyłącznie w wykwalifikowanych serwisach z wykorzystaniem oryginalnych części zamiennych.** *Takie postępowanie zapewni należyte bezpieczeństwo elektronarzędzia.*

## IV - Dodatkowe przepisy bezpieczeństwa pracy młotem udarowo-obrotowym



**Używać środków ochrony słuchu przy pracy wiertarkami udarowymi.** *Intensywny hałas podczas pracy może spowodować uszkodzenia słuchu.*

- **Zawsze stosować dodatkową rękkojeść dostarczoną wraz z elektronarzędziem.** *Utrata kontroli może doprowadzić do wypadku przy pracy.*



**Podczas pracy stosować środki ochrony wzroku przed fruwającymi cząstkami.** *Zakładać okulary ochronne.*



**Stosować środki ochronne przeciwko wdychaniu pyłu.** *Pewne materiały mogą zawierać składniki toksyczne. Zakładać ochronne maski przeciwpyłowe. Stosować urządzenie do odprowadzania pyłu, wskazane jest jego podłączenie do elektronarzędzia.*

- **Trzymać elektronarzędzie tylko za izolowane powierzchnie chwytające podczas wykonywania zabiegu, kiedy element tnący może dotknąć ukrytej izolacji lub własnego sznura elektrycznego.** *Dotknięcie powierzchni tnącej do Dotknięcie powierzchni tnącej do przewodu pod ciśnieniem stawia pod napięciem odsłonięte części metalowe elektronarzędzia i użytkownik zostanie porażony prądem.*
- Nie obrabiać materiału zawierającego azbest. Azbest jest uważany za materiał rakotwórczy.



**OSTRZEŻENIE:** Przed podłączeniem elektronarzędzia do sieci zasilania, upewnij się należy, że napięcie zasilania jest zgodne z napięciem podanym na tabliczce znamionowej elektronarzędzia.

- Źródło zasilania o napięciu wyższym od wskazanego na elektronarzędziu może spowodować poważne porażenie operatora prądem elektrycznym, jak również uszkodzenie elektronarzędzia.
- W razie wątpliwości, nie należy wkładać wtyczki elektronarzędzia do gniazdka zasilania.
- Korzystanie ze źródła zasilania o napięciu niższym od wskazanego na tabliczce znamionowej elektronarzędzia spowoduje uszkodzenie silnika elektrycznego.
- W celu zapobiegania ewentualnemu przegrzaniu, zawsze należy rozwijać do końca kabla przedłużacza z bębna kablowego.
- W razie konieczności korzystania z przedłużacza, upewnij się należy, że jego przekrój odpowiada wartościom prądu znamionowego używanego elektronarzędzia, jak również sprawdzić sprawność przedłużacza.



**OSTRZEŻENIE:** Zawsze wyłączać elektronarzędzia i wyjmować wtyczkę z gniazda zasilania przed wykonaniem jakichkolwiek zabiegów nastawienia, obsługi lub konserwacji.

- Podczas pracy zawsze trzymać mocno elektronarzędzie oburącz oraz zachowywać stałą pozycję ciała. Elektronarzędziem można sterować bardziej bezpiecznie trzymając je oburącz.
- Przed przystąpieniem do pracy należy sprawdzić odpowiednim detektorem metali na oko-

liczność ukrytej instalacji elektrycznej, gazociągu lub wodociągu bądź zwrócić się do lokalnych służb o pomoc. Dotknięcie wiertłem ukrytej instalacji elektrycznej może spowodować porażenie prądem.

Uszkodzenie gazociągu może spowodować wybuch. Przebiecie wodociągu spowoduje szkody materialne lub porażenie prądem.

- Kabel zasilania trzymać poza zasięgiem pracy elektronarzędzia.
- Nie używać elektronarzędzia z uszkodzonym kablem. Nie dotykać uszkodzonego kabla oraz natychmiast wyciągnąć wtyczkę z gniazda sieci, jeżeli kabel ulegnie uszkodzeniu podczas pracy. Uszkodzone kable zwiększają ryzyko doznania porażenia prądem.
- Zawsze zachowywać stabilną pozycję ciała. Pracując elektronarzędziem na wysokości upewnij się, że nikogo nie ma pod tobą.
- Ustawić nieruchomo obrabiany detal w imadle lub w inny odpowiedni sposób.
- Uważać na moment bezwładności przy uruchomieniu wiertarki lub przy zakleszczeniu wiertła. Natychmiast wyłączyć elektronarzędzie w wypadku zablokowania wiertła. Uważać na wysoki moment reaktywny, który może wywołać odrzut. Wiertło zostanie zablokowane wskutek przeciążenia elektronarzędzia lub jego zakleszczenia w obrabianym materiale.
- Nie dotykać natychmiast po pracy wiertła lub obrabianego materiału. Mogą one być bardzo gorące i spowodować oparzenie skóry.
- Utrzymywać czystość w miejscu pracy. Mieszanka pyłu różnych materiałów jest szczególnie niebezpieczna. Pył lekkich metali może zapłonąć lub wybuchnąć.
- Nigdy nie pozostawiać szmat, pakul, przewodów lub drutu blisko miejsca pracy.
- Zawsze wyłączać elektronarzędzia przed odstawieniem narzędzia na bok.
- Elektronarzędzia używać wyłącznie zgodnie z jego przeznaczeniem. Każde inne zastosowanie odmienne od wskazanego w niniejszej instrukcji uważane jest za niewłaściwe. Odpowiedzialność za wszelkie uszkodzenia lub zranienia wynikające z niewłaściwego zastosowania spoczywa na użytkownika, a nie na producenta.
- Prawidłowa eksploatacja niniejszego elektronarzędzia wymaga przestrzegania przepisów bezpieczeństwa, ogólnych instrukcji i wskazówek pracy wskazanych tu. Wszyscy użytkownicy powinni zapoznać się z niniejszą instrukcją obsługi i być poinformowani o potencjalnych ryzykach przy pracy elektronarzędziem. Dzieci i fizycznie słabi ludzie nie



powinni używać tegoż narzędzia. Dzieci przebywające w pobliżu miejsca pracy elektronarzędzia należy obserwować bez przerwy. Obowiązkowo należy podjąć prewencyjne środki bezpieczeństwa. To samo dotyczy także przestrzegania podstawowych przepisów higiena i bezpieczeństwa pracy.

- Producent nie ponosi odpowiedzialności za dokonane przez użytkownika zmiany w elektronarzędziu lub za uszkodzenia spowodowane tego rodzaju zmianami.
- Elektronarzędzia nie używać na wolnym powietrzu w pogodzie deszczowej, w środowisku wilgotnym (po deszczu) lub blisko łatwopalnych płynów i gazów. Miejsce pracy powinno być dobrze oświetlone.

## V - Zapoznanie z elektronarzędziem

Przed rozpoczęciem pracy elektronarzędziem należy zapoznać się wszystkimi szczegółami operacyjnymi i warunkami bezpieczeństwa.

Używać elektronarzędzia i osprzętu wyłącznie zgodnie z ich przeznaczeniem. Każde inne zastosowanie jest stanowczo zakazane.

1. Pierścień bezpieczeństwa (nie wchodzi w ukończeniu)
  2. Gniazdo do wiertła SDS-Plus
  3. Adapter (nie wchodzi w ukończeniu)
  4. Szyjka młota udarowo-obrotowego
  5. Ustalacz
  6. Przełącznik trybów pracy
  7. Otwory wentylacyjne
  8. Linia ograniczająca
  9. Rękojeść dodatkowa
  10. Dźwignia do zmiany kierunku obrotu
  11. Regulator elektroniczny obrotów
  12. Wyłącznik
  13. Przycisk do zablokowania wyłącznika
  14. Tuleja zwalniająca
- III. Trójśczękowy uchwyt narzędziowy

## VI - Wskazówki pracy

Niniejsze elektronarzędzie zasilane jest tylko jednofazowym napięciem zmiennym.

Nadaje się do podłączenia do gniazd bez zacisków ochronnych, ponieważ posiada podwójną izolację zgodnie z EN 60745-1 i IEC 60745. Zakłócenia radiowe odpowiadają wymogom Dyrektywy dotyczącej kompatybilności elektromagnetycznej 2004/108/WE.

Młot udarowo-obrotowy przeznaczony jest do wiercenia udarowego otworów w betonie, kamieniu, murowaniu i innych kruchych materiałach oraz do wiercenia otworów w stali, drewnie, tworzywach sztucznych i innych.

## PRZED PRYZYSTAPIENIEM DO PRACY

- Sprawdzić, czy napięcie sieci elektrycznej odpowiada wartości napięcia podanej na tabliczce znamionowej elektronarzędzia.
- Sprawdzić, w jakim położeniu jest przełącznik. Elektronarzędzie należy podłączać i wyłączać z sieci zasilania tylko przy wyłączonym wyłączniku. W razie włączenia wtyczki do gniazda, gdy wyłącznik jest w stanie wyłączonym, wówczas elektronarzędzie natychmiast zostaje uruchomione, co może doprowadzić do wypadku.
- Upewnić się co do sprawności kabla zasilania i wtyczki. W razie uszkodzenia kabla zasilania, wymiany należy dokonać producent lub jego specjalista, aby uniknąć ewentualnych niebezpieczeństw podczas wymiany.



**OSTRZEŻENIE:** Zawsze wyłączać elektronarzędzie i wyjmować wtyczkę z gniazda zasilania przed dokonaniem jakiegokolwiek czynności w zakresie nastawienia, obsługi lub konserwacji.

- Jeżeli strefa pracy oddalona jest od źródła zasilania należy używać możliwie krótszy przedłużacz o odpowiednim przekroju.
- Sprawdzić, czy rękojeść dodatkowa została ustawiono prawidłowo i niezawodnie zamocowana.

## ROZRUCH - ZATRZYMANIE

### Krótkotrwałe uruchomienie:

- Rozruch: wyłącznik 12 wcisnąć.
- Zatrzymanie: wyłącznik 12 zwolnić.

### Praca ciągła:

- Rozruch: wyłącznik 12 wcisnąć przy ustawieniu dźwigni 10 w prawym kierunku i w tym stanie unieruchomić przyciskiem 13.
- Zatrzymanie: wyłącznik 12 wcisnąć jednorazowo i natychmiast zwolnić.

## BEZSTOPNIOWA REGULACJA ELEKTRONICZNA OBROTÓW

Lekki nacisk na wyłącznik 12 uruchamia młot udarowo-obrotowy na niskich obrotach, które

płynnie wzrastają do maksymalnych wartości wraz z zwiększeniem nacisku na wyłącznik do osiągnięcia pozycji skrajnej.

## **DOBÓR CZĘSTOTLIWOŚCI OBROTU**

Potrzebna częstotliwość obrotów jest zadawana uprzednio obracając regulatora 11 w kierunku "G" dla podwyższenia obrotów, a w kierunku "A" - dla obniżenia. Zapewnia to optymalny tryb wiercenia w różnych materiałach - metalu, betonie i innych.

## **ZMIANA KIERUNKU OBROTU**

Przed przystąpieniem do wiercenia, zawsze sprawdzać kierunek obracania.

Prawa pozycja skrajna dźwigni 10 oznacza obracanie w kierunku ruchu wskazówki zegara, a lewa pozycja skrajna - odwrotnie do ruchu wskazówki zegara. Przy nacisku na wyłącznik 12 dźwigni 10 nie można uruchomić. Zmiana kierunku obrotu następuje tylko w stanie bez ruchu młota udarowo-obrotowego.

Przy pracy z kierunkiem obrotu odwrotnie do wskazówki zegara (kierunek lewy), spust wyłącznika ma ograniczony bieg i elektronarzędzie pracuje w obrotach od pozycji "A" do "E" regulatora elektronicznego 11. Do pozycji "E" pracuje także przycisk blokujący 13.

## **PRZEŁĄCZENIE TRYBÓW PRACY**

Przełączenie trybów pracy odbywa się przy niepracującej maszynie lub zatrzymującej się maszynie.

Nacisnąć ustalacz 5 przełącznika trybów pracy 6, a jednocześnie przełącznik obraca się do pożądanego położenia:

- wiercenie - wiercenie otworów w metalu, drewnie, tworzywach sztucznych i innych;
- wiercenie udarowe - wiercenie otworów w betonie, kamieniu i innych materiałach;
- drażnienie - drażnienie rowków w betonie oraz kruszenie;
- nastawienie dłuta - dla wygody podczas pracy, dłuto należy ustawić w żądanej pozycji i unieruchomić.

## **ZAKŁADANIE I ZAKRĘCANIE WIERTŁA SDS-PLUS**

Tuleję zwalnającą 14 gniazda 2 wycofać do końca. Wiertło SDS plus wprowadza się do oporu, uważając by wycięcia gniazda weszły w rowki jego końcówki, następnie zwolnić tuleję zwalnającą i zablokować wiertło. Specjalny me-

chanizm uniemożliwia wychodzenie wiertła, jeśli nie zostaną powtórzone powyższe czynności.

## **ZAKŁADANIE I ZAKRĘCANIE WIERTŁA Z KOŃCÓWKĄ CYLINDRYCZNĄ DO UCHWYTU**

Adapter 3 umieścić w gnieździe 2 w wyżej opisany sposób. Uchwyt trójszczękowy III zakręcić do adaptera 3 i ustalić wkretem zabezpieczającym 1. W tej konfiguracji młot udarowo-obrotowy może pracować w trybie „wiertło”.

### **Do elektronarzędzia z uchwytem trójszczękowym**

Obracając koronę (rdzeń) uchwytu narzędziowego III w kierunku ruchu wskazówki zegara lub odwrotnie, szczęki uchwytu przesuwają się do położenia umożliwiającego wejście końcówki wiertła między szczękami. Obracając koronę (rdzeń) uchwytu narzędziowego III w kierunku ruchu wskazówki zegara szczęki zaciskają końcówkę wiertła. Specjalnym kluczem wiertło ustala się ostatecznie w uchwycie, który dokręca się równomiernie przez trzy otwory.

### **Do elektronarzędzia z uchwytem szybkoocującym**

Przytrzymać rdzeń (koronę) tylny i obracać rdzeń przedni aż uchwyt zostanie dostatecznie rozwarły by w nim umieścić wiertło. Następnie dokręcić ręką rdzeń (koronę) przedni, czemu towarzyszy wyraźny dźwięk.

## **DEMONTAŻ UCHWYTU NARZĘDZIOWEGO Z ADAPTERA MŁOTA UDAROWO-OBROTOWEGO**

### **Z elektronarzędzia z uchwytem trójszczękowym**

Szczęki uchwytu narzędziowego III rozwierają się na oścież i za pomocą śrubokrętu odkręcić wkretem zabezpieczający o gwincie lewym. Adapter 3 młota udarowo-obrotowego ustalić kluczem S17. Specjalny klucz do zamocowania uchwytu narzędziowego umieścić w jeden z trzech otworów, i obracając w kierunku przeciwnym do ruchu wskazówki zegara, stosując klucz dźwigni odkręcić uchwyt narzędziowy III z adaptera młota udarowo-obrotowego.

### **Z elektronarzędzia z uchwytem szybkoocującym**

Zatrzymać koronę (rdzeń) tylną uchwytu narzędziowego i obracać koronę (rdzeń) przednią aż uchwyt zostanie rozwarły na oścież. Za pomocą śrubokrętu odkręcić wkretem zabezpieczający o gwincie lewym. W uchwycie umieścić sześciosienny klucz lub przyrząd do zakręcania

wkrętów, którego wolny koniec zamocować w odpowiedni sposób. Adapter 3 młota udarowo-obrotowego uchwylić kluczem maszynowym i uchwyt narzędziowy obracać w kierunku przeciwnym do ruchu wskazówki zegara.

## ZAKŁADANIE DŁUTA Z KOŃCÓWKĄ SDS PLUS

Przełącznik trybów pracy 6 ustawia się w pozycji „młot”. Tuleję zwalnającą 14 gniazda 2 wycofać do końca. Dłuto wprowadza się do oporu, uważając by wycięcia gniazda weszły w rowki jego końcówki, następnie tuleję wyzwalającą zwolnić i dłuto zablokować. Przełącznik trybów pracy 6 ustawia się naprzeciw symbolu „punkt” do nastawienia dłuta. W tym położeniu przełącznika 6 dłuto można obracać w dowolnym kierunku pracy, następnie przełącznik 6 obrócić i ustalić nieruchomo w pozycji „młot”. Do pracy dłem, przełącznik 6 powinien zawsze znajdować się w pozycji „młot”.

## ODKRĘCANIE I ZAKRĘCANIE ŚRUB, WKRĘTÓW I NAKRĘTEK

W uchwycie narzędziowym III wkręca się w sposób opisany wyżej odpowiedni sprzęt do zakręcania odpowiednio odkręcania śrub, nakrętek lub wkrętów. Przełącznik 6 trybów pracy ustawia się naprzeciw symbolu „wiertło”. Dźwignią 10 do zmiany kierunku obrotu wybrać czynność odkręcania lub zakręcania. Czynności te wykonywane są tylko na niskich obrotach.



**OSTRZEŻENIE:** Podczas zakręcania długich śrub i wkrętów istnieje niebezpieczeństwo wyślizgnięcia się młota udarowo-obrotowego.

## RĘKOJEŚĆ DODATKOWA

Rękojeść dodatkową 9 zakręca się do szyjki 4 młota udarowo-obrotowego. Ze względów bezpieczeństwa należy stale korzystać z rękojeści dodatkowej 9. Głębokość wywiercanych otworów można ustalić za pomocą linii ograniczającej 8.

Rękojeść dodatkowa tych modeli połączona jest z obudową elektronarzędzia za pomocą elementów tłumiących drgania, co chroni operatora i zmniejsza zmęczenie przy pracy.

## PORADY DOTYCZĄCE PRACY

Przy niskich temperaturach i jeśli elektronarzędzie nie było używane od dawna, należy je podgrzać pozostawiając by pracowało przez pewien czas na biegu jałowym. W ten sposób poprawia się smarowanie. Wiercenie udarowe jest niemożliwe, jeżeli elektronarzędzie nie jest zagrzaane prawidłowo.

Stosować umiarkowany nacisk podczas wiercenia w betonie (w przybliżeniu 80-100 N) Większy nacisk nie podwyższa wydajności pracy podczas wiercenia, a powoduje zmniejszenie żywotności elektronarzędzia.

Przed zakładaniem do elektronarzędzia końcówki narzędzia roboczego należy ją oczyścić i posmarować. Od czasu do czasu wyjmować wiertło z otworu by usunąć nagromadzony pył. Uważać na stopień stępienia wiertła oraz wymienić je po stwierdzeniu znacznego zmniejszenia wydajności pracy.

W skrajnej lewej pozycji dźwigni 10 nie można pracować w trybie «wiercenie udarowe» i w trybie «młot».

Przy pracy w trybie «młot» (drażenie, kruszenie) i w trybie «wiercenie udarowe» w zależności od materiału w niektórych przypadkach moc udaru może ulec zmniejszeniu. Dla odzyskania z powrotem maksymalnej siły udaru należy zmniejszyć obroty elektronarzędzia zmniejszając nacisk na spust wyłącznika 12, do pojawienia się właściwego udaru.

Przy wierceniu w metalu otworu o dużej średnicy, uprzednio należy wywiercić otwór o mniejszej średnicy.

Optymalny zakres wiercenia w betonie wynosi do 16 mm, a zakres możliwy do uzyskania dochodzi do 26 mm.

Młot udarowo-obrotowy nadaje się do lekkiej obróbki dłem. Znaczne przedłużenie żywotności młota udarowo-obrotowego i większą wydajność można zapewnić używając tylko dobrze zaostrzonych narzędzi do drażnienia (dłuta).

## PRZYRZĄDY WSPÓŁPRACUJĄCE Z TYM ELEKTRONARZĘDZIEM

- Wiertła do metalu o średnicy od Ø3 mm do Wiertła do metalu o średnicy od Ø3 mm do Ø13 mm
- Wiertła do drewna o średnicy od Ø3 mm do Ø30 mm;
- Wiertła do betonu SDS plus o średnicy od Ø3 mm do Ø26 mm
- Wiertła rdzenne (korony) SDS+ o średnicy do Ø65 mm

- Szydła SDS+ o długości do 250 mm
- Dłuta SDS+ o szerokości do 40 mm
- Koparki rowków SDS+ o szerokości do 22 mm
- Końcówki posiadające sześćościan łącznikowy 6.35 mm (1/4") do zakręcania wkrętów.



**OSTRZEŻENIE:** Do pracy niniejszym elektronarzędziem zaleca się stosowanie osprzętu wyżej wymienionego. Używanie osprzętu odmiennego od wskazanego stanowi przesłankę do wypadku przy pracy. Osprzętu używać tylko zgodnie z jego przeznaczeniem. W razie potrzeby uzyskania dodatkowej informacji na temat osprzętu zwrócić się należy do miejscowego serwisu SPARKY.

## VII - Konserwacja



**OSTRZEŻENIE:** Zawsze wyłączać elektronarzędzie i wyjmować wtyczkę z gniazda sieci przed dokonywaniem jakichkolwiek zabiegów kontrolnych lub konserwacyjnych..

### OGÓLNE SPRAWDZENIE

Sprawdzać regularnie wszystkie elementy mocujące upewniając się, że zostały mocno dociągnięte. W przypadku obluźnienia jakiegokolwiek wkrętu, należy go niezwłocznie dokręcić dla uniknięcia powstania sytuacji ryzykownych. W razie uszkodzenia kabla zasilania, wymianę należy wykonać producent lub jego autoryzowany specjalista w celu uniknięcia ewentualnych komplikacji w wyniku wymiany.

### CZYSZCZENIE

Dla bezpiecznej pracy należy zawsze utrzymywać w czystości elektronarzędzie i otwory wentylacyjne.

Sprawdzać regularnie, czy w kracie wentylacyjnej blisko silnika elektrycznego lub w okolicy przełączników nie przedostał się pył lub obce wtrącenia. Używać miękkiego pędzla do usuwania nagromadzonego pyłu. W celu ochrony oczu podczas czyszczenia zakładać okulary ochronne.

Gdy należy czyścić korpus elektronarzędzia, wytrzeć go należy miękką ściereczką nawilżoną. Można stosować także łagodny środek do mycia.



**OSTRZEŻENIE:** Nie wolno stosować spirytusu, benzyny lub innych rozpuszczalników. Nigdy nie stosować środków żrących do czyszczenia części plastikowych.



**OSTRZEŻENIE:** Nie wolno dopuścić do przedostania się wody do elektronarzędzia.

**UWAGA!** W celu zapewnienia bezpiecznej pracy elektronarzędziem i jego niezawodności, wszelkie czynności naprawcze, konserwacyjne i regulacyjne (w tym kontrola i wymiana szczotek) należy wykonywać w autoryzowanych serwisach naprawczych SPARKY używając wyłącznie oryginalnych części zamiennych.

## VIII - Gwarancja

---

Okres gwarancyjny na elektronarzędzia SPARKY został określony w karcie gwarancyjnej.

Niesprawności występujące na skutek naturalnego zużycia, przeciążenia lub niewłaściwej eksploatacji nie są objęte zobowiązaniami gwarancyjnymi.

Niesprawności zachodzące w następstwie wykorzystania złej jakości materiałów i/lub błędów produkcyjnych, usuwane są bez dodatkowej opłaty przez wymianę lub naprawy.

Reklamację na wadliwe elektronarzędzie SPARKY uznaje się pod warunkiem zwrotu do dostawcy lub złożyc w autoryzowanym serwisie gwarancyjnym w stanie pierwotnie zmontowanym.

## Uwagi

---

Uważnie przeczytać całość treści instrukcji obsługi przed użytkowaniem niniejszego elektronarzędzia.

Producent zastrzega sobie prawo do wprowadzania zmian do swoich wyrobów oraz do zmiany specyfikacji bez uprzedzenia.

Specyfikacje mogą się różnić w poszczególnych krajach.

# Содержание

I - Введение .....	76
II - Технические данные.....	78
III - Общие указания по технике безопасности при работе с электроинструментами.....	79
IV - Дополнительные указания по технике безопасности при работе с перфораторами .....	81
V - Знакомство с электроинструментом.....	A/82
VI - Указания по работе .....	83
VII - Обслуживание .....	85
VIII - Гарантия.....	86

## РАСПАКОВКА

В соответствие с общепринятыми технологиями крупносерийного производства, почти не существует риска поломки Вашего электроинструмента, или отсутствия какой-либо из его частей. Если вы все же установите повреждение, не используйте электроинструмент до тех пор, пока дефектная часть не будет заменена, а неисправность - устранена. Нарушение этой рекомендации может привести к серьезному трудовому инциденту.

## СБОРКА

Перфоратор, упакованный в чемодане, поставляется вполне собранный.

Перфоратор, упакованный в коробке, поставляется собранный за исключением дополнительной рукоятки.

## I - Введение

Новоприобретенный Вами электроинструмент SPARKY превзойдет Ваши ожидания. Его производство подчиняется высоким стандартам качества SPARKY, отвечающим строгим требованиям потребителя. Удобный для обслуживания и безопасный в эксплуатации, этот электроинструмент при правильном употреблении будет служить безотказно долгие годы.

### ПРЕДОСТЕРЕЖЕНИЕ!



Прочтите внимательно и целиком инструкцию по эксплуатации перед использованием новоприобретенного электроинструмента SPARKY. Обратите специальное внимание на параграфы, обозначенным словом "Предостережение". У Вашего электроинструмента SPARKY много качеств, которые облегчают работу. При разработке этого инструмента основное внимание было направлено на безопасность, эксплуатационные качества и надежность, которые облегчают его обслуживание и эксплуатацию.



#### **Не выбрасывать электроинструменты вместе с бытовыми отбросами!**

Отбросы электрических изделий нельзя собирать вместе с бытовыми отбросами. Они должны быть рециклированы на местах, предназначенных специально для этих целей.

Просим обратиться к местным властям или к нашему представителю для получения информации насчет рециклирования.

### ЗАЩИТА ОКРУЖАЮЩЕЙ СРЕДЫ



Для предохранения окружающей среды электроинструменты, принадлежности и упаковки должны быть переработаны подходящим образом для повторно использования содержащихся в них материалов. Для облегчения процесса рециклирования детали, сделанные из искусственных материалов, обозначены соответствующим способом.

## ОПИСАНИЕ СИМВОЛОВ

На табличке с данными электроинструмента нанесены специальные символы, содержащие важную информацию о продукте или инструкции по использованию.



Двойная изоляция для дополнительной защиты.



Соответствует релевантным европейским директивам.



Соответствует требованиям российским нормативным документам.



Соответствует требованиям украинским нормативным документам.




Ознакомьтесь с инструкцией по эксплуатации.

YYYY-Www    Период производства, где переменные символы означают:  
YYYY - год производства,  
Www – очередная календарная неделя.

BPR            Электронный перфоратор.

## II - Технические данные

<b>Модель</b>	<b>BPR 261E</b>
Потребляемая мощность	820 W
Обороты вращения на холостом ходу	
по часовой стрелке	0-1300 min <sup>-1</sup>
против часовой стрелки	0-740 min <sup>-1</sup>
Электронное регулирование	да
Смена направления вращения	да
Защитный механический соединитель	да
Охват патрона	1,5-13 mm
Максимальное число ударов	5450 min <sup>-1</sup>
Максимальный диаметр сверла:	
для бетона	26 mm
для стали	13 mm
для древесины	30 mm
Система крепления инструмента	SDS plus
Вес (ЕРТА процедура 01/2003)	3,1 kg
Класс защиты (EN 60745-1) 	II

### ИНФОРМАЦИЯ О ШУМЕ И ВИБРАЦИИ

Значения, замеренные согласно EN 60745.

#### Уровень шума

A-взвешенный уровень звукового давления L <sub>рА</sub>	90,0 dB (A)
Неопределенность K <sub>рА</sub>	3,0 dB (A)
A-взвешенный уровень звуковой мощности L <sub>wА</sub>	101,0 dB (A)
Неопределенность K <sub>wА</sub>	3,0 dB (A)

#### Используйте средства для защиты от шума!

#### Излучение вибраций \*

Суммарные значения вибраций (векторная сумма трех направлений) определенные в соответствии с EN 60745:

Ударное сверление по бетону	
Значение излученных вибраций a <sub>h,HD</sub>	15,0 m/s <sup>2</sup>
Неопределенность K <sub>HD</sub>	1,5 m/s <sup>2</sup>
Долбление	
Значение излученных вибраций a <sub>h,CHeq</sub>	11,5 m/s <sup>2</sup>
Неопределенность K <sub>CHeq</sub>	1,5 m/s <sup>2</sup>
Сверление по стали	
Значение излученных вибраций a <sub>h,D</sub>	6,5 m/s <sup>2</sup>
Неопределенность K <sub>D</sub>	1,5 m/s <sup>2</sup>

\* Уровень вибраций определен согласно п. 6.2.7 EN 60745-1.

Указанный в настоящую инструкцию уровень вибраций измерен в соответствии с установленную EN 60745 методику испытаний и может использоваться для сравнения электроинструментов. Уровень вибраций может использоваться для предварительной оценки воздействия.

Указанный уровень вибраций дан при условии использования инструмента по его прямому назначению. В тех случаях, когда электроинструмент используется для других целей, с другими принадлежностями, уровень вибраций может отличаться от указанного. В этих случаях уровень воздействия может значительно возрасти в рамках общего периода работы.

Для точной оценки воздействия вибраций во время определенного периода работы необходимо учитывать промежутки времени, в которые электроинструмент выключен, либо хотя и включен, но фактически не используется. Это может существенно сократить воздействия вибраций в течение всего периода работы.

Сохраняйте электроинструмент и его принадлежности в хорошем состоянии. Во время работы старайтесь сохранять руки теплыми - это поможет уменьшить вредное воздействие при работе



с повышенной вибрацией.

Пыль материалов, как с краски с содержанием свинца, некоторых сортов древесины, минералов и металла может быть вредной для здоровья. Прикосновение к пыли и попадание пыли в дыхательные пути может вызвать аллергические реакции и/или заболевания дыхательных путей оператора или находящегося вблизи персонала.

Определенные виды пыли, как из дуба и бука, считаются канцерогенными, особенно, совместно с присадками для обработки древесины (хромат, средство для защиты древесины). Материал с содержанием асбеста разрешается обрабатывать только специалистам.

- По возможности применяйте отсос пыли.
- Для достижения максимально высокой эффективности собирания пыли при работе с данным электроинструментом, используйте пылесос, предназначенный для сбора пыли из древесины или для пыли из древесины и/или минеральной пыли.
- Следите за хорошей вентиляцией.
- Рекомендуется пользоваться дыхательной защитной маской с фильтром класса P2.

Соблюдайте действующие в Вашей стране предписания для обрабатываемых материалов.

### III - Общие указания по безопасности при работе с электроинструментами



**ПРЕДОСТЕРЕЖЕНИЕ!** Прочитайте все предупреждения и указания по безопасности. Несоблюдение предупреждений и указаний по безопасности может привести к поражению электрическим током, от пожара и/или серьезные ранения.

Сохраните все предупреждения и указания для дальнейшего использования.

Термин “электроинструмент” во всех указанных ниже предупреждениях касается вашего электроинструмента, с питанием от сети (с кабелем) и/или электроинструмент с питанием от аккумуляторной батареи (без кабеля).

#### 1) Безопасность рабочего места

- a) Содержите рабочее место в чистоте и хорошо освещенным. Беспорядок и недостаточное освещение являются предпосылками трудовых инцидентов.
- b) Не работайте с электроинструментами во взрывоопасной атмосфере при наличии воспламеняющихся жидкостей, газов или пыли. Электроинструменты создают искры, которые могут воспламенить пыль или пары.

c) Держите детей и посторонних лиц на расстоянии, когда работаете с электроинструментом. Рассеивание может привести к потере контроля с Вашей стороны.

#### 2) Электрическая безопасность

- a) Штепселя электроинструментов должны соответствовать контактным гнездам. Никогда не меняйте штепсель каким-либо способом. Не используйте какие-либо адаптерные штепселя для электроинструментов с защитным заземлением. Использование оригинальных штепселей и соответствующим им контактов уменьшает риск от удара электрическим током.
- b) Избегайте соприкосновения тела с землей или с заземленными поверхностями, такими как трубы, радиаторы, кухонные плиты и холодильники. Если ваше тело заземлено, существует повышенный риск поражения электрическим током.
- c) Не оставляйте электроинструменты под дождем или во влажной среде. Проникновение воды в электроинструменты повышает риск от поражения электрическим током.
- d) Используйте кабель по назначению. Никогда не используйте кабель для переноса электроинструмента, натягивания или отключения штепселя из контактного гнезда. Держите кабель далеко от тепла, масла, острых углов или движущихся частей. Поврежденные или запутанные кабели повышают риск от поражений электрическим током.
- e) Во время наружной работы с электроинструментом используйте удли-

нитель, подходящий для этих целей. Использование удлинителя, предназначенного для внешних /наружных/ работ, уменьшает опасность от поражения электрическим током.

- f) В случае, если работа с электроинструментом во влажной среде неизбежна, используйте предохранительное устройство, которое задействовано от остаточного тока для прерывания подачи тока. Использование предохранительного устройства уменьшает риск от поражения электрическим током.

### 3) Личная безопасность

- a) Будьте бдительны, работайте с повышенным вниманием и проявляйте благоразумие, когда работаете с электроинструментом. Не используйте электроинструмент, когда вы устали или находитесь под влиянием наркотиков, алкоголя или медикаментов. Момент невнимания при работе с электроинструментом может привести к серьезной производственной травме.
- b) Используйте индивидуальные средства защиты. Носите всегда защитные очки. Индивидуальные средства защиты, такие как маска против пыли, нескользкая обувь, защитный шлем или средства для защиты слуха, используемые в конкретных условиях, снижают риск от производственных травм.
- c) Избегайте невольного пуска инструмента. Убедитесь, что выключатель находится в положение „выключено“ перед включением к источнику питания и/или аккумуляторной батарее перед тем, как его возьмете в руки или переносите. Ношение электроинструмента с пальцем на выключателе или подключение к источнику питания электроинструмента с выключателем во включенном положении является предпосылкой для производственной травмы.
- d) Удалите каждый ключ для затягивания или гаечный ключ перед включением электроинструмента. Ключ для затягивания или гаечный ключ, прикрепленный к вращающейся части электроинструмента, может привести к трудовому инциденту.
- e) Не перетягивайтесь. Поддерживайте правильное положение и равновесие в течение всей работы. Это позволит

лучше управлять электроинструментом при неожиданных ситуациях.

- f) Носите подходящую рабочую одежду. Не носите широкую одежду или украшения. Держите свои волосы, одежду и перчатки далеко от движущихся частей. Широкая одежда, бижутерия или длинные волосы могут попасть в движущиеся части.
- g) Если электроинструмент снабжен приспособлением для пыли, убедитесь, что они правильно установлены и правильно используются. Использование этих устройств может понизить связанные с пылью опасности.

### 4) Эксплуатация и уход за электроинструментами

- a) Не перегружайте электроинструмент. Используйте правильно выбранный электроинструмент согласно его назначению. Правильно подобранный электроинструмент работает лучше и безопасней для объявленного режима работы, для которого он спроектирован.
- b) Не используйте электроинструмент в случае, если выключатель не переключается во включенное и исключенное положение. Каждый электроинструмент, который не может управляться с помощью его выключателя, опасен и подлежит ремонту.
- c) Отключите штепсель от электросети перед тем, как начать любые настройки, перед заменой принадлежностей или перед тем, как убрать электроинструмент для хранения. Эти меры предосторожности снижают риск невольного пуска электроинструмента.
- d) Сохраняйте неиспользованные электроинструменты в местах, недоступных для детей и не позволяйте обслуживающему персоналу, который не знаком с электроинструментом или инструкциями по эксплуатации, работать с ним. Электроинструменты являются опасными в руках необученных потребителей.
- e) Проверяйте электроинструменты. Проверяйте, работают ли нормально и движутся ли свободно движущиеся части, находятся ли в целости и исправности части, а также проверяйте все прочие обстоятельства, которые могут неблагоприятно повлиять на работу электроинструмента. Если он

поврежден, электроинструмент необходимо отремонтировать перед его дальнейшим использованием. Много инцидентов причиняются от плохо обслуживаемых электроинструментов.

- f) Поддерживайте режущие инструменты острыми и чистыми. Правильно поддерживаемые режущие инструменты с острыми режущими углами реже блокируются и проще управляются.
- g) Используйте электроинструмент, принадлежности и части инструмента и т.д. в соответствии с этими инструкциями и способом, предусмотренным для конкретного типа электроинструмента, имея ввиду рабочие условия и работу, которую необходимо выполнять. Использование электроинструмента для работы не по назначению может привести к опасной ситуации.

#### 5) Обслуживание

- a) Ремонтируйте ваш электроинструмент у квалифицированного специалиста по ремонту, при этом используйте только оригинальные запасные части. Это обеспечивает сохранение безопасности электроинструмента.

## IV - Дополнительные указания по технике безопасности при работе с перфораторами



Используйте средства защиты слуха при продолжительной работе. Интенсивный шум во время работы может повредить слух.

- Всегда используйте дополнительную рукоятку, прилагаемую в комплекте с машиной. Потеря контроля может привести к трудовому происшествию.



Во время работы используйте средства защиты зрения от разлетающихся частиц. Носите защитные очки.



Примите меры предосторожности против вдыхания пыли. Некоторые материалы могут содержать токсические

компоненты. Носите защитную маску. Подключите инструмент к устройству для удаления пыли (если это возможно).

- В случае потенциальной возможности касания режущей принадлежности до скрытой электропроводки или до собственного питающего шнура, держите электроинструмент только за изолированные поверхности рукояток. Контакт принадлежности с токоведущим проводом ставит под напряжение также открытые металлические части электроинструмента и может привести к поражению оператора электрическим током.
- Не обрабатывайте материалы содержащих асбеста. Асбест считается канцерогенным веществом.



**ПРЕДОСТЕРЕЖЕНИЕ:** Перед тем, как подключить электроинструмент в электросеть, проверьте соответствие напряжения, указанного на табличке с техническими данными электроинструмента

- Источник питания, работающий при напряжении, превышающем указанное на электроинструменте, может вызвать серьезное поражение электрическим током оператора или электроинструмента.
- При наличии любых сомнений, не включайте штепсель электроинструмента в контактное гнездо.
- Использование источника питания с более низким, чем обозначенное на табличке электроинструмента напряжением, повредит электродвигатель.
- Во избежание перегрева, раскрутите кабель удлинителя кабельной катушки до конца.
- В случае необходимости в использовании удлинителя, убедитесь в том, что его сечение соответствует номинальному току используемого электроинструмента, проверьте исправность удлинителя.



**ПРЕДОСТЕРЕЖЕНИЕ:** При настройке, обслуживании или ремонте, в обязательном порядке отключайте электроинструмент и вынимайте штепсель из контакта.

- Во время работы держите машину крепко двумя руками, сохраняя стабильное по-

ложение тела. Направлять электроинструмент более безопасно, удерживая его двумя руками.

- Перед началом работы проверьте подходящим детектором металла наличие скрытой электропроводки, газопровода и водопровода, или обратитесь за содействием в соответствующие местные службы. Прикосновение сверла к скрытой электропроводке может вызвать поражение электрическим током. Повреждение газопровода может привести к взрыву. Повреждение водопровода нанесет ущерб собственности или приведет к поражению электрическим током.
- Кабель электропитания следует держать вне рабочего охвата машины.
- Не используйте электроинструмент с поврежденным кабелем. Не прикасаясь к поврежденному кабелю, выньте штепсель из контакта, если кабель получит повреждение во время работы. Поврежденный кабель повышает опасность удара электрическим током.
- Всегда занимайте стабильную позицию. При работе на определенной высоте, убедитесь в том, что под Вами никого нет.
- Фиксируйте обрабатываемую деталь тисками или другим подходящим методом.
- Контролируйте инерционный момент при запуске электроинструмента или при заклинивании сверла. Немедленно выключите электроинструмент, если сверло заблокировалось. С повышенным вниманием контролируйте высокий реактивный момент, который может привести к откату. В случае перегрузки электроинструмента или заклинивания сверла в обрабатываемом материале, сверло будет заблокировано.
- Не прикасайтесь к инструменту или обрабатываемой детали сразу же после работы: они могут быть слишком горячими и вызвать ожог кожи.
- Обеспечьте чистоту рабочего места. Соединение пыли различных материалов очень опасно. Пыль легких металлов может привести к возгоранию или взрыву.
- В зоне работ никогда не следует оставлять ветошь, шнуры, кабели и пр.
- Выключите инструмент перед тем, как положить его в сторону.
- Электроинструмент следует использовать только по назначению. Любое другое применение, отличающееся от указанного в данной инструкции, считается не-

правильным. Ответственность за любое повреждение или ранение, вызванное неправильным употреблением, несет потребитель, а не производитель.

- Для правильной эксплуатации электроинструмента следует соблюдать правила техники безопасности, указания по монтажу, эксплуатационные инструкции, описанные в этом документе. Все лица, которые используют или обслуживают эту машину, должны быть ознакомлены с настоящей инструкцией, и информированы о возможных рисках, связанных с электроинструментом. Работа на электроинструменте запрещена детям и немощным людям. Следует держать детей под постоянным наблюдением, если они находятся в рабочей зоне. В обязательном порядке следует соблюдать правила техники безопасности, действующие в стране. Это условие касается и основных правил профессионального здравоохранения и техники безопасности.
- Производитель не несет ответственность в случае внесенных потребителем в электроинструмент изменений, или в случае повреждений, вызванных такими изменениями.
- Электроинструмент не следует использовать под открытым небом в дождливую погоду, во влажной среде (после дождя), или вблизи от возгораемых жидкостей и газов. Рабочее место должно быть хорошо освещено

## V - Знакомство с электроинструментом

До начала работы, ознакомьтесь со всеми оперативными особенностями инструмента и условиями техники безопасности.

Используйте электроинструмент и его принадлежность только по назначению. Любое другое приложение категорически запрещено.

1. Предохранительный винт
2. Седло для SDS plus сверла
3. Адаптер
4. Шейка перфоратора
5. Фиксатор
6. Переключатель рабочих режимов
7. Вентиляционные отверстия
8. Ограничитель глубины
9. Дополнительная рукоятка

10. Рычаг смены направления вращения
  11. Электронный регулятор частоты вращения
  12. Выключатель
  13. Кнопка для фиксации выключателя
  14. Втулка освобождающая
- III. Трехрулачковый патрон

## **VI - Указания по работе**

Этот электроинструмент питается однофазным непостоянным током. Двойная изоляция электроинструмента согласно EN 60745-1 и IEC 60745 позволяет подключение электроинструмента к контактам без защитных клемм. Радиопомехи соответствуют директиве электромагнитной совместимости 2004/108/ЕС. Перфоратор предназначен для ударного сверления отверстий по бетону, горным породам, штукатурке и прочим хрупким материалам, как и по стали, древесине, пластмассам и т.д.

### **ДО НАЧАЛА РАБОТЫ**

- Проверьте напряжение электросети: оно должно соответствовать обозначенным в табличке техническим данным электроинструмента.
- Проверьте, в какой позиции находится переключатель. Электроинструмент следует подключать и отключать от электросети только при выключенном выключателе. Если штепсель будет включен в розетку при включенном выключателе, электроинструмент немедленно приводится в действие, что может привести к нежеланному инциденту.
- Убедитесь в исправности кабеля питания. В случае повреждения кабеля питания, его следует заменить специальным кабелем или узлом, обратившись к производителю или его сервисному специалисту во избежание возможных рисков.



**ПРЕДОСТЕРЕЖЕНИЕ:** Всегда отключайте электроинструмент и вынимайте штепсель из контакта до начала любой настройки или обслуживания.

- Если рабочая зона находится на расстоянии от источника питания, используйте возможно наиболее короткий удлинитель с подходящим сечением.
- Проверьте правильность и надежность монтажа дополнительной рукоятки.

## **ПУСК-ОСТАНОВКА**

### **Кратковременное действие**

- Пуск: Нажать на выключатель 12.
- Останов: Выключатель 12 отпустить.

### **Продолжительная работа**

- Пуск: Нажать на выключатель 12 при правом положении рычага 10 и в нажатом положении заблокировать кнопкой 13.
- Останов: Нажмите однократно выключатель 12 и сразу же отпустите.

## **БЕССТУПЕНЧАТОЕ ЭЛЕКТРОННОЕ РЕГУЛИРОВАНИЕ ОБОРОТОВ**

Небольшой нажим на переключатель 12 приводит в действие перфоратор на малых оборотах, которые постепенно возрастают до максимальных по мере усиления нажима до крайнего положения переключателя.

### **ВЫБОР ЧАСТОТЫ ВРАЩЕНИЯ**

Необходимая частота вращения задается предварительно поворотом диска регулятора 11 в направление "G" для повышения оборотов, а в направление "A" для снижения. Таким образом осуществляется оптимальный режим сверления в различных материалах - металл, бетон и др.

### **ИЗМЕНЕНИЕ НАПРАВЛЕНИЯ ВРАЩЕНИЯ**

Перед началом сверления обязательно проверить направление вращения.

Крайнее правое положение рычага 10 означает вращение по часовой стрелке, а крайнее левое - против часовой стрелки. При нажиме на выключатель 12 рычаг 10 не может быть задействован. Изменение направления вращения выполняется только при остановленном перфораторе.

При работе с вращением инструмента против часовой стрелки (влево), ход спуска выключателя ограничивается, и машина может работать на оборотах от положения "A" до "E" электронного регулятора 11. До положения "E" действует также блокирующая кнопка 13.

## **ПЕРЕКЛЮЧЕНИЕ РАБОЧИХ РЕЖИМОВ**

Переключение рабочих режимов осуществляется последовательно в покое или в процессе останова машины. Нажимается фиксатор 5 переключателя рабочих режимов 6 и

одновременно с этим переключатель поворачивается до желаемого положения:

- сверление - сверление отверстий в металле, древесине, пластмассе и др.
- ударное сверление - сверление отверстий в бетоне, камне и др.
- долбление - прорезка каналов по бетону и разбивные работы
- настройка долота - для удобства при работе долото ставится в желаемое положение и фиксируется.

## **УСТАНОВКА И КРЕПЛЕНИЕ SDS PLUS СВЕРЛА**

Наружный стакан седла 2 отводится назад до упора. SDS plus сверло вставляется до упора, следя внимательно за тем, чтобы шлицы седла совпали с пазами хвостовика, после чего стакан отпускается и сверло фиксируется. Специальный механизм предотвращает высвобождения сверла без проведения перечисленных операций.

## **ВСТАВЛЕНИЕ И ЗАТЯГИВАНИЕ СВЕРЛА С ЦИЛИНДРИЧЕСКИМ ХВОСТОМ В ПАТРОН**

Адаптер 3 вставить в гнездо 2, как описано выше. Трехчелюстной патронник III завернуть в адаптер 3 и зафиксировать блокирующим винтом 1. В этой конфигурации перфоратор может работать в режиме "сверло".

### **В машинах с трехкулачковым патроном:**

Путем вращения венца патрона 14 по часовой стрелке или обратно кулачки выводятся в положение, позволяющее вставить между ними хвостовик сверла. Вращением венца патрона 14 по часовой стрелке кулачки зажимают хвостовик сверла.

Специальным ключом сверло фиксируется окончательно в патроне равномерным зажимом в трех отверстиях.

### **В машинах с быстрозажимным патроном:**

Задерживается задний венец и вращается передний венец до тех пор, пока патрон откроется достаточно для того, чтобы установить сверло. После этого затягивается рукой передний венец, во время чего слышится отчетливый звук.

## **СНЯТИЕ ПАТРОНА**

### **Для машин с трехкулачковым патроном:**

Кулачки патрона III открываются до конца и с помощью отвертки отвинчивается предохра-

нительный винт 1 с левой резьбой. Адаптер 3 перфоратора фиксируется ключом S17. Специальным ключом для зажатия патрона, вставленным в одно из трех отверстий, поворотом против часовой стрелки, используя ключ как рычаг, отвинчивается патрон III от адаптера перфоратора.

### **Для машин с быстрозажимным патроном:**

Задерживается задний венец и вращается передний венец до тех пор, пока патрон откроется полностью. С помощью отвертки отвинчивается предохранительный винт 1 с левой резьбой. В патрон вставляется шестигранный ключ или какое-либо приспособление для завинчивания винтов, свободный конец, который зажимается подходящим способом. Адаптер 3 перфоратора захватывают гаечным ключом и проворачивают против часовой стрелки.

## **ВСТАВЛЕНИЕ И ЗАТЯГИВАНИЕ ДОЛОТА С ХВОСТОМ SDS PLUS**

Переключатель режимов работы 6 поставить в положение "молоток". Наружный стакан седла 2 отводится назад. Долото вводят до упора следя за тем, чтобы шлицы гнезда посадки совпали с пазами хвостовика, после чего опускают стакан и стопорят долото.

Переключатель 6 устанавливается против символа "точка" для настройки долота. В этом положении переключателя 6 долото можно повернуть до выбранного рабочего положения, после чего переключатель 6 повернуть до фиксирования в положении "молоток". При работе с долотом переключатель 6 должен быть установлен всегда в положении "молоток".

## **ОТВИНЧИВАНИЕ И ЗАВИНЧИВАНИЕ БОЛТОВ, ВИНТОВ И ГАЕК**

В патроне III зажимается вышеописанным образом соответствующее приспособление для завинчивания, отвинчивания болтов, гаек или винтов. Переключатель рабочих режимов 6 устанавливается против символа "сверло". Рычагом для смены направления вращения 10 выбирается операция отвинчивания или завинчивания. Операции выполняются только при низких оборотах.



**ПРЕДОСТЕРЕЖЕНИЕ:** При завинчивании длинных болтов и винтов существует опасность от выскальзывания.

## **ДОПОЛНИТЕЛЬНАЯ РУКОЯТКА**

Дополнительная рукоятка 9 затягивается на шейку 4 перфоратора. В целях безопасности дополнительная рукоятка 9 должна использоваться постоянно. Глубина пробиваемых отверстий может быть фиксирована с помощью ограничителя глубины 8.

Дополнительная рукоятка этих моделей монтирована к корпусу посредством виброгасящих элементов, которые защищают оператора и снижают трудоемкость работ.

## **ОГРАНИЧЕНИЕ КРУТЯЩЕГО МОМЕНТА**

Предохраняющий соединитель машины ограничивает крутящий момент. При срабатывании соединитель отключает привод шпинделя и рабочий инструмент (сверло) перестает крутиться. Машину следует выключить немедленно, чтобы предотвратить его износ прежде времени.

## **РЕКОМЕНДАЦИИ ПРИ РАБОТЕ**

При низких температурах и в случаях, когда машину не использовали в течение долгого времени, ее следует оставить работать некоторое время на холостом ходу, чтобы она нагрелась. Таким образом улучшается смазка частей. Ударное сверление невозможно, если машина не нагрелась нормально.

При сверлении по бетону применяйте умеренный нажим (примерно 80-100 N). Значительный нажим не повышает производительность сверления и приводит к сокращению срока службы инструмента.

Перед вставлением в машину следует очистить и смазать хвост рабочего инструмента. Время от времени вынимайте сверло из гнезда для удаления пыли. Следить за степенью износа (затупления) сверла. При значительном (видимом) снижении производительности сверло заменить.

В крайнем левом положении рычага 10 работа в режиме «ударное сверление» и в режиме «молоток» запрещена.

Иногда при работе в режиме «молоток» (долбление, отламывание) и в режиме «ударное сверление» в зависимости от материала возможно ослабление силы ударов. Чтобы восстановить максимальную силу ударов необходимо уменьшить обороты машины, отпуская спуск выключателя 12, пока не почувствуете сильные устойчивые удары.

При сверлении по металлам отверстий боль-

шего диаметра заранее рассверлить отверстие меньшего диаметра.

Оптимальный диаметр сверления по бетону составляет 16 мм, возможный - до 26 мм.

Перфоратор удобен для легкой обработки долотом. Долговечность перфоратора и высокая производительность обеспечиваются качественными инструментами для долбления (долота).

## **ПРИНАДЛЕЖНОСТИ, КОТОРЫЕ МОГУТ ИСПОЛЬЗОВАТЬСЯ С ЭТИМ ЭЛЕКТРОИНСТРУМЕНТОМ**

- Сверла по стали диаметром от Ø3 мм до Ø13 мм
- Сверла по древесине диаметром от Ø3 мм до Ø30 мм
- Сверла по бетону SDS plus диаметром от Ø3 мм до Ø26 мм
- Боркоронки SDS+ диаметром до Ø65 мм
- Шила SDS+ длиной до 250 мм
- Долота SDS+ шириной до 40 мм
- Бороздоделы SDS+ шириной до 22 мм
- Наконечники с подсоединительным шестигранником 6.35 мм (1/4") для завинчивания винтов



**ПРЕДОСТЕРЕЖЕНИЕ:** Для этого электроинструмента рекомендуются указанные выше принадлежности или приспособления. Употребление иных принадлежностей или приспособлений является предпосылкой трудового происшествия. Используйте принадлежности или приспособления только по назначению. При необходимости в дополнительной информации обращайтесь в местный сервис SPARKY.

## **VII - Обслуживание**



**ПРЕДОСТЕРЕЖЕНИЕ:** Всегда выключайте электроинструмент и вынимайте штепсель из розетки перед тем, как приступить к любой проверке или обслуживанию.

## **ОБЩАЯ ПРОВЕРКА**

Регулярно проводите проверку всей крепежной - они должны быть крепко стянуты. В случае, если какой-либо винт открутился, его

следует немедленно закрутить во избежание опасности.

В случае повреждения кабеля питания, его замену должен произвести изготовитель или его сервисный специалист, во избежание опасности.

## УХОД

Для обеспечения безопасной работы всегда поддерживайте в чистоте и машину, и ее вентиляционные отверстия.

Регулярно проверяйте вентиляционные отверстия электродвигателя или переключателей на наличие пыли или чужеродных тел. Используйте мягкую щетку для удалений пыли. Во избежание повреждения глаз, во время ухода за устройством пользуйтесь защитными очками.

Если корпус машины загрязнен, протрите его мягкой влажной салфеткой. Можно использовать щадящий моющий препарат.



**ПРЕДОСТЕРЕЖЕНИЕ:** Не допускается употребление спирта, бензина и прочих растворителей. Никогда не пользуйтесь разедающими препаратами для чистки пластмассовых частей



**ПРЕДОСТЕРЕЖЕНИЕ:** Не допускается попадание и контакт устройства с водой.

**ВАЖНО!** В целях обеспечения безопасности работы электроинструмента и его надежности, все ремонтные работы, обслуживание и регулировку устройства (включительно проверку и замену щеток) следует проводить в специализированных сервисах SPARKY, используя исключительно оригинальные запасные части.

## VIII - Гарантия

Гарантийный срок электроинструментов SPARKY указан в гарантийной карте.

Неисправности, появившиеся в результате естественного изнашивания, перегрузки или неправильной эксплуатации, не входят в гарантийные обязательства.

Неисправности, появившиеся вследствие применения некачественных материалов и/или из-за производственных ошибок, устраняются без дополнительной оплаты путем замены или ремонта.

Рекламации дефектного электроинструмента SPARKY принимаются в том случае, если машина будет возвращена поставщику, или специализированному гарантийному сервису в не разобранном (первоначальном) состоянии.

## Замечания

Внимательно прочтите всю инструкцию по эксплуатации перед тем, как приступить к использованию этого изделия.

Производитель сохраняет за собой право вносить в свои изделия улучшения и изменения, а также изменять спецификации без предупреждения.

Спецификации для разных стран могут различаться.



## Зміст

I - Введення .....	87
II - Технічні дані .....	89
III - Загальні вказівки з безпеки при роботі з електроприладами .....	90
IV - Додаткові вказівки по техніці безпеки під час роботи з перфораторами .....	92
V - Ознайомлення з електроінструментом .....	A/93
VI - Вказівки щодо роботи .....	93
VII - Обслуговування .....	96
VIII - Гарантія .....	97

### РОЗПАКУВАННЯ

У відповідності з загальноприйнятими технологіями великосерійного виробництва, майже не існує ризику поломки Вашого електроінструменту, або відсутності будь-якої з його частин. Якщо ви все ж таки знайдете пошкодження, не використовуйте електроінструмент до тих пір, поки дефектна частина не буде замінена, а несправність - усунена. Порушення цієї рекомендації може призвести до серйозного нещасного випадку.

### ЗБІРКА

Перфоратор, упакований у валізі, поставляється цілком зібраний.

Перфоратор, упакований у коробці, поставляється зібраний за винятком додаткової рукоятки.

## I - Введення

Придбаний Вами електроінструмент SPARKY перевершить Ваші очікування. Він зроблений у відповідності до високих стандартів якості SPARKY, що відповідають суворим вимогам споживача. Його легко обслуговувати і він безпечний при експлуатації, при правильному використанні цей електроінструмент буде служити Вам довгі роки.

### ЗАСТЕРЕЖЕННЯ!



Прочитайте уважно і цілком інструкцію з експлуатації, перед використанням новоприданого електроінструменту SPARKY. Зверніть спеціальну увагу на параграфи, позначених словом "Застереження". У Вашого електроінструменту SPARKY багато якостей, які полегшують роботу. При розробці цього інструменту основну увагу було направлено на безпеку, експлуатаційні якості і надійність, які полегшують його обслуговування і експлуатацію.



#### **Не викидайте електроінструменти разом з побутовими відходами!**

Відходи від електричних виробів не варто збирати разом з побутовими відходами. Будь ласка, викидайте в місцях, призначених для цього. Зв'яжіться з місцевою владою або представником для консультації щодо повторної переробки.

### ОХОРОНА НАВКОЛИШНЬОГО СЕРЕДОВИЩА



З урахуванням охорони навколишнього середовища електроінструмент, належності й упаковка повинно надати відповідній переробці для повторного використання сировини, що міститься в них. Для полегшення повторної переробки деталей, зроблених з штучних матеріалів, вони позначені відповідним чином.

## ОПИС СИМВОЛІВ

Табличка з даними електродріля містить спеціальні символи. Вони є важливою інформацією про використання інструмента та його характеристики.



Подвійна ізоляція для додаткового захисту.



Відповідає чинним європейським директивам.



Відповідає вимогам російських нормативних документів.



Відповідає вимогам українських нормативних документів.



Ознайомтеся з інструкцією з експлуатації.

YYYY-Www

Термін виробництва, де змінними символами є:


YYYY - рік випуску,

Www - черговий календарний тиждень.

BPR

Електронний перфоратор.

## II - Технічні дані

Модель	BPR 261E
Споживана потужність	820 W
Обертання на холостому ході	
за годинниковою стрілкою	0-1300 min <sup>-1</sup>
проти годинникової стрілки	0-740 min <sup>-1</sup>
Електронне регулювання	так
Зміна напрямку обертання	так
Захисний механічний з'єднувач	так
Охоплення патронника	1,5-13 mm
Максимальна кількість ударів	5450 min <sup>-1</sup>
Максимальний діаметр свердла:	
по бетону	26 mm
по сталі	13 mm
по деревині	30 mm
Система закріплення інструменту	SDS plus
Вага (ЕРТА процедура 01/2003)	3,1 kg
Клас захисту (EN 60745-1) 	II

### ІНФОРМАЦІЯ ПРО ШУМ І ВІБРАЦІЇ

Значення, замірні згідно EN 60745.

#### Рівень шуму

A-зважений рівень звукового тиску $L_{pA}$	90,0 dB(A)
Невизначеність $K_{pA}$	3,0 dB(A)
A-зважений рівень звукової потужності $L_{wA}$	101,0 dB(A)
Невизначеність $K_{wA}$	3,0 dB(A)

**Використовуйте засоби для захисту від шуму!**

#### Випромінювання вібрацій \*

Сумарні значення вібрацій (векторна сума трьох напрямків) визначені відповідно до EN 60745:

Ударне свердління по бетону	
Значення випромінених вібрацій $a_{h,D}$	15,0 m/s <sup>2</sup>
Невизначеність $K_{h,D}$	1,5 m/s <sup>2</sup>
Довбання	
Значення випромінених вібрацій $a_{h,CHeg}$	11,5 m/s <sup>2</sup>
Невизначеність $K_{h,CHeg}$	1,5 m/s <sup>2</sup>
Свердління по сталі	
Значення випромінених вібрацій $a_{h,D}$	6,5 m/s <sup>2</sup>
Невизначеність $K_{h,D}$	1,5 m/s <sup>2</sup>

\* Рівень вібрацій визначений згідно п. 6.2.7 EN 60745-1.

Вказаний в інструкції рівень вібрацій вимірний відповідно до встановлених EN 60745 методик випробувань, і може використовуватися для порівняння електроінструментів. Рівень вібрацій може використовуватися для попередньої оцінки впливу.

Зазначений рівень вібрацій надано за умови використання інструменту за його прямим призначенням. У тих випадках, коли електроінструмент використовується для інших цілей, з іншими речами, рівень вібрацій може відрізнятися від зазначеного. У цих випадках рівень впливу може значно зрости в рамках загального періоду роботи.

Для точної оцінки впливу вібрацій, під час певного періоду роботи необхідно враховувати проміжки часу, в які електроінструмент вимкнено, або хоча і включений, але фактично не використовується. Це може істотно скоротити вплив вібрацій протягом всього періоду роботи.

Зберігайте електроінструмент і його речі в гарному стані. Під час роботи намагайтеся зберігати руки теплими - це допоможе зменшити шкідливий вплив при роботі з підвищеною вібрацією.

Пил матеріалів, наприклад - фарби з вмістом свинцю, деяких сортів деревини, мінералів і металу може бути шкідливим для здоров'я. Дотик до пилу і потрапляння пилу в дихальні шляхи може

викликати алергічні реакції та / або захворювання дихальних шляхів оператора або персоналу, що знаходиться поблизу.

Певні види пилю, наприклад, з дуба та бука, вважаються канцерогенними, особливо, спільно з присадками для обробки деревини (хромат, засіб для захисту деревини, тощо). Матеріал з вмістом азбесту дозволяється обробляти тільки фахівцям.

- По можливості застосовуйте відсмоктування пилю.
  - Для досягнення максимально високої ефективності збирання пилю при роботі з даним приладом, використовуйте пиლოსос, призначений для збору пилю з деревини або для пилю з деревини та / або мінерального пилю.
  - Слідкуйте за хорошою вентиляцією.
  - Рекомендується користуватися дихальною захисною маскою з фільтром класу P2.
- Дотримуйтеся розпорядження щодо оброблюваних матеріалів, що діють у Вашій країні.

### III - Загальні вказівки з безпеки при роботі з електроприладами



**ЗАСТЕРЕЖЕННЯ!** Прочитайте всі попередження і вказівки з безпеки. Недодержання попереджень і вказівок з безпеки може призвести до ураження електричним струмом, пожежі та / або важкого поранення.

**Збережіть всі попередження та вказівки для подальшого використання.**

Термін "електроприлад" у всіх зазначених нижче попередженнях стосується вашого електроприладу, з живленням від мережі (з кабелем), та / або електроприладу з живленням від акумуляторної батареї (без кабелю).

#### 1) Безпека робочого місця

- a) **Утримайте робоче місце в чистоті і добре освітленим.** Безлад і недостатнє освітлення є передумовою виникнення трудових інцидентів.
- b) **Не працюйте з електроприладами у вибухонебезпечній атмосфері при наявності займистих рідин, газів або пилю.** Електроприлади створюють іскри, що можуть займати пил або пари.
- c) **Тримайте дітей та сторонніх осіб на відстані, коли працюєте з електроприладом.** Розсіювання уваги може призвести до втрати контролю з Вашого боку.

#### 2) Електрична безпека

- a) **Штепселі електроприладів повинні відповідати контактним гніздам. Ніко-**

**ли не змінюйте штепсель у будь-який спосіб. Не використовуйте будь-які адаптерні штепселі для електроприладів із захисним заземленням. Використання оригінальних штепселів і відповідних їм контактів зменшує ризик удару електричним струмом.**

- b) **Уникайте дотику тіла з землею або заземленими поверхнями, такими як труби, радіатори, кухонні плити та холодильники.** Якщо ваше тіло заземлене, існує підвищений ризик ураження електричним струмом.
- c) **Не залишайте електроприлади під дощем або у вологому середовищі.** Проникнення води в електроприлади підвищує ризик ураження електричним струмом.
- d) **Використовуйте кабель за призначенням. Ніколи не використовуйте кабель для перенесення електроприладу, натягування або відключення штепселя з контактної гнізда.** Тримайте кабель далеко від тепла, олії, гострих кутів, що рухаються. Пошкоджені або заплутані кабелі підвищують ризик поразок електричним струмом.
- e) **Під час зовнішніх робіт використовуйте подовжувач, що підходить для цих цілей.** Використання подовжувача, призначеного для зовнішніх робіт, зменшує небезпеку від ураження електричним струмом.
- f) **У випадку, якщо робота з електроприладом у вологому середовищі неминуча, використовуйте запобіжний пристрій, який робить на залишковому струмі для переривання подачі струму.** Використання запобіжного пристрою зменшує ризик ураження електричним струмом.

### 3) Особиста безпека

- a) **Будьте пильні, працюйте з підвищеною увагою і проявляйте розсудливість, коли працюєте з електроприладом. Не використовуйте електроприлад, коли ви стомлені, або під впливом наркотиків, алкоголю, медикаментів, тощо. Одна мить не уваги при роботі з електроприладом може призвести до серйозної виробничої травми.**
- b) **Використовуйте індивідуальні засоби захисту. Носіть завжди захисні окуляри. Індивідуальні засоби захисту, такі як маска проти пилу, неслизьке взуття, захисний шолом або засоби для захисту слуху, що використовуються в конкретних умовах, знижують ризик виникнення виробничих травм.**
- c) **Уникайте мимовільного пуску інструменту. Переконайтеся, що вимикач знаходиться в положенні “вимкнено” перед включенням в джерело живлення та / або акумуляторної батареї, перед тим, візьмете в руки або перенесите. Носіння електроприладу з пальцем на вимикачі або підключення до джерела живлення електроінструменту з вимикачем у включеному положенні є передумовою для виробничої травми.**
- d) **Видаліть кожен гайковий ключ перед включенням електроприладу. Ключ для затягування або гайковий ключ, прикріплений до частини електроприладу, що обертається, може призвести до трудового інциденту.**
- e) **Не простягайтесь занадто. Підтримуйте правильне положення і рівновагу протягом всієї роботи. Це дозволить краще керувати електроприладом у несподіваних ситуаціях.**
- f) **Носіть придатний одяг. Не носіть широкий одяг або прикраси. Тримайте своє волосся, одяг і рукавички далеко від рухомих частин. Широкий одяг, біжутерія та довге волосся можуть потрапити в рухомі частини.**
- g) **Якщо електроприлад має пристосування для пилу, переконайтеся, що воно правильно встановлено і правильно використовується. Використання цих пристроїв може знизити пов'язані з пилом небезпеки.**

### 4) Експлуатація і догляд за електроприладами

- a) **Не перевантажуйте електроприлад.**

**Використовуйте правильно вибраний електроприлад згідно з його призначенням. Правильно підібраний електроприлад працює краще і безпечніше для оголошеного режиму роботи, для якого він спроектований.**

- b) **Не використовуйте електроприлад у випадку, якщо вимикач не переходить у включену і виключену позицію. Кожен електроприлад, який не може управлятися за допомогою вимикача, є небезпечним і підлягає ремонту.**
- c) **Вимкніть штепсель від електромережі перед тим, як почати будь-які налаштування, перед заміною приладдя або перед тим, як прибрати електроприлад для зберігання. Ці запобіжні заходи знижують ризик мимовільного пуску електроприладу.**
- d) **Зберігайте невикористані електроприлади в місцях, недоступних для дітей, і не дозволяйте користуватися ним обслуговуючому персоналу, який не знайомий з електроприладом або інструкціями з експлуатації. Електроприлади є небезпечними в руках ненавчених споживачів.**
- e) **Перевіряйте електроприлади. Перевіряйте, чи працюють нормально і рухаються вільно рухомі частини, чи знаходяться в цілості і справності усі частини, а також перевіряйте всі інші обставини, які можуть негативно вплинути на роботу електроприладу. У разі ушкоджень електроприлад необхідно відремонтувати перед його подальшим використанням. Багато інцидентів заподіюються у випадку поганого обслуговування електроприладів.**
- f) **Підтримуйте різучі інструменти гострими і чистими. Правильно підтримані різучі інструменти з гострими кутами рідше блокуються і простіше управляються.**
- g) **Використовуйте електроприлад, приналежності (комплектуючі) і частини інструменту і т.д. відповідно до цих інструкцій та у засіб, передбачений для конкретного типу електроприладу, маючи на увазі робочі умови і роботу, яку необхідно виконувати. Використання електроприладу для роботи не за призначенням може призвести до небезпечної ситуації.**

## 5) Технічне обслуговування

а) Ремонтуйте ваш електроприлад у кваліфікованого фахівця з ремонту, при цьому використовуйте тільки оригінальні запасні частини. Це забезпечує безпеку електроприладу.

# IV - Додаткові вказівки з техніки безпеки під час роботи з перфораторами



Використовуйте засоби захисту слуху під час тривалої роботи. Інтенсивний шум під час роботи може пошкодити слух.

Завжди використовуйте додаткове руків'я, додане у комплект із машиною. Втрата контролю може призвести до трудової травми.



Під час роботи використовуйте засоби захисту зору від частинок, що розлітаються. Носіть захисні окуляри.



Прийміть запобіжні заходи проти вдихання пилу. Деякі матеріали можуть містити токсичні компоненти. Носіть захисну маску. Підключіть інструмент до пристрою для видалення пилу (якщо це можливо).

В разі потенційної можливості дотику приладдя, що ріже до прихованої електропроводки або до власного шнура живлення, тримайте електроінструмент тільки за ізольовані поверхні руків'їв. Контакт приладдя з струмоведучим проводом ставить під напругу також відкриті металеві частини електроінструменту і може призвести до ураження оператора електричним струмом.

Не обробляйте матеріали, що містять азбест. Азбест вважається канцерогенною речовиною.



**ЗАСТЕРЕЖЕННЯ:** Перед тим, як підключити електроінструмент в електромережу, перевірте відповідність напруги, зазначеної на табличці з технічними даними електроінструменту.

Джерело живлення, що працює при напрузі, що перевищує зазначену на електроінструменті, може викликати серйозне ураження електричним струмом оператора або електроінструменту.

У разі будь-яких сумнівів, не вставляйте штепсель електроінструменту у контактне гніздо.

Використання джерела живлення з більш низькою, ніж позначеною на табличці електроінструменту напругою, зашкодить електродвигуну.

Щоб уникнути перегріву, розкрутіть кабель подовжувача кабельної котушки до кінця.

В разі необхідності використання подовжувача, переконайтеся у тому, що його перебір відповідає номінальному току використовуваного електроінструменту, перевірте справність подовжувача.



**ЗАСТЕРЕЖЕННЯ:** Під час налаштування, обслуговування або ремонту, в обов'язковому порядку відключайте електроінструмент та виймайте штепсель із розетки.

Під час роботи тримайте машину міцно двома руками, зберігаючи стабільне положення тіла. Направляти електроінструмент більш безпечно, утримуючи його двома руками.

Перед початком роботи перевірте відповідним детектором металу наявність прихованої електропроводки, газопроводу та водопроводу, або зверніться за сприянням у відповідні місцеві служби. Дотик свердла до прихованої електропроводки може викликати ураження електричним струмом. Пошкодження газопроводу може привести до вибуху. Пошкодження водопроводу завдасть шкоди власності або призведе до ураження електричним струмом.

Кабель електроживлення слід тримати поза робочою зоною машини.

Не використовуйте електроінструмент із пошкодженим кабелем. Не торкаючись до ушкодженого кабелю, вийміть штепсель з контакту, якщо кабель отримує пошкодження під час роботи. Пошкоджений кабель підвищує небезпеку ураження електричним струмом.

Завжди займайте стабільну позицію. Під час роботи на певній висоті, переконайтеся у тому, що під Вами нікого немає.

- Фіксуйте оброблювану деталь лещатами або іншим відповідним методом.
- Контролюйте інерційний момент під час запуску електроінструмента або під час заклинювання свердла. негайно вимкніть електроінструмент, якщо свердло заблокувалося. З підвищеною увагою контролюйте високий реактивний момент, який може привести до відскоку. У разі перевантаження електроінструменту або заклинювання свердла в оброблюваному матеріалі, свердло буде заблоковано.
- Не торкайтеся інструмента або оброблюваної деталі відразу ж після роботи: вони можуть бути дуже гарячими і викликати опік шкіри.
- Забезпечте чистоту робочого місця. З'єднання пилу різних матеріалів дуже небезпечно. Пил легких металів може призвести до займання або вибуху.
- У зоні робіт ніколи не слід залишати ганчірки, шнури, кабелі тощо
- Вимкніть інструмент перед тим, як відкласти його у бік.
- Електроінструмент слід використовувати тільки за призначенням. Будь-яке інше застосування, що відрізняється від зазначеного у даній інструкції, вважається неправильним застосуванням. Відповідальність за будь-яке пошкодження або поранення, викликане неправильним застосуванням, несе споживач, а не виробник.
- Для правильної експлуатації електроінструмента слід дотримуватися правил техніки безпеки, вказівок по монтажу, експлуатаційних інструкцій, описаних у цьому документі. Всі особи, які використовують або обслуговують цю машину, повинні бути ознайомлені з цією інструкцією, і поінформовані про можливі ризики, пов'язані з електроінструментом. Робота на електроінструменті заборонена дітям і немічним людям. Слід тримати дітей під постійним наглядом, якщо вони знаходяться у робочій зоні. В обов'язковому порядку слід дотримуватися правил техніки безпеки, що діють у країні. Ця умова стосується й основних правил охорони праці здоров'я і техніки безпеки.
- Виробник не несе відповідальність у разі внесених споживачем в електроінструмент змін, або у разі пошкоджень, викликаних такими змінами.
- Електроінструмент не слід використовувати під відкритим небом у дощову погоду, у вологому середовищі (після дощу), або

поблизу від займистих рідин і газів. Робоче місце має бути добре освітлено.

## V - Ознайомлення з електроінструментом

До початку роботи, ознайомтеся з усіма робочими характеристиками інструменту та умовами техніки безпеки.

Використовуйте електроінструмент і його приладдя тільки за призначенням. Будь-яке інше застосування категорично заборонено.

1. Запобіжний гвинт
  2. Сідло для SDS plus свердла
  3. Адаптер
  4. Шийка перфоратора
  5. Фіксатор
  6. Перемикач робочих режимів
  7. Вентиляційні отвори
  8. Обмежувач глибини
  9. Додаткова рукоятка
  10. Важіль зміни напрямку обертання
  11. Електронний регулятор частоти обертання
  12. Вимикач
  13. Кнопка фіксації вимикача
  14. Втулка, що вивільняє
- III Трикулачний патрон

## VI - Вказівки щодо роботи

Цей електроінструмент живиться однофазним непостійним струмом. Подвійна ізоляція електроінструмента згідно EN 60745-1 й IEC 60745 дозволяє підключення електроінструменту до контактів без захисних клем. Радіоперешкоди відповідають директиві електромагнітної сумісності 2004/108/ЄС

Перфоратор призначений для ударного свердління отворів по бетону, гірським породам, штукатурці та іншим крихким матеріалам, як і по сталі, деревині, пластмасам і т.д.

### ДО ПОЧАТКУ РОБОТИ

- Перевірте напругу електромережі: вона повинна відповідати позначенням на таблиці технічним даним електроінструменту.
- Перевірте, в якій позиції знаходиться перемикач. Електроінструмент слід підключати

та відключати від електромережі тільки у разі вимкненого вимикача. Якщо штепсель буде увімкнений у розетку, коли увімкнений вимикач, електроінструмент негайно приводиться у дію, що може призвести до небезпечного інциденту.

- Переконайтеся у справності кабелю живлення. У разі пошкодження кабелю живлення, його слід замінити спеціальним кабелем або вузлом, звернувшись до виробника або його сервісного спеціаліста, щоб уникнути можливих ризиків



**ЗАСТЕРЕЖЕННЯ:** Завжди відключайте електроінструмент та виймайте штепсель з контакту до початку будь-якого налаштування або обслуговування.

- Якщо робоча зона знаходиться на відстані від джерела живлення, використовуйте найбільш можливий короткий подовжувач із відповідним перерізом.
- Перевірте правильність і надійність монтажу додаткової рукоятки.

## **ПУСК - ЗУПИНКА**

### **Короткочасна дія:**

- Пуск: Натисніть вимикач 12.
- Зупинка: Вимикач 12 відпустити.

### **Тривала робота:**

- Пуск: Натиснути на вимикач 12 у разі правого положення важеля 10 й у натиснутому положенні блокувати кнопкою 13.
- Зупинка: Натисніть одноразово вимикач 12 і відразу ж відпустіть.

## **БЕЗПОЗИЦІЙНЕ ЕЛЕКТРОННЕ РЕГУЛЮВАННЯ ОБЕРТВІВ**

Невеликий тиск на перемикач 12 приводить у дію перфратор на малих обертах, які поступово зростають до максимальних у міру посилення натиску до крайнього положення перемикача.

## **ВИБІР ЧАСТОТИ ОБЕРТАННЯ**

Необхідна частота обертання задається попередньо поворотом диска регулятора 11 у напрямку "G" для підвищення обертів, а у напрямку "A" для зниження. Таким чином здійснюється оптимальний режим свердління у різних матеріалах - метал, бетон та ін.

## **ЗМІНА НАПРЯМУ ОБЕРТАННЯ**

Перед початком свердління обов'язково перевірити напрямок обертання.

Крайнє праве положення важеля 10 означає обертання за годинниковою стрілкою, а крайнє ліве - проти годинникової стрілки. У разі натиску на вимикач 12 важіль 10 не може бути задіяний. Зміна напрямку обертання виконується тільки під час зупиненого перфратора.

Під час роботи з обертанням інструмента проти годинникової стрілки (вліво), хід спуску вимикача обмежується, і машина може працювати на оборотах від положення "A" до "E" електронного регулятора 11. До положення "E" діє також блокуюча кнопка 13

## **ПЕРЕМИКАННЯ РОБОЧИХ РЕЖИМІВ**

Перемикач робочих режимів здійснюється послідовно у спокої або у процесі зупинки машини. Натискається фіксатор 5 перемикача робочих режимів 6 й одночасно з цим перемикач повертається у бажане положення:

- свердління - свердління отворів у металі, деревині, пластмасі та ін.
- ударне свердління - свердління отворів у бетоні, камені й ін..
- довбання - прорізка каналів по бетону і розбивні роботи
- настройка долота - для зручності під час роботи долото ставиться у бажане положення і фіксується.

## **УСТАНОВКА І КРІПЛЕННЯ SDS PLUS СВЕРДЛА**

Зовнішній стакан сідла 2 відводиться назад до упору. SDS plus свердло вставляється до упору, пильнуючі уважно за тим, щоб шліці сідла збіглися з пазами хвостовика, після чого стакан відпускається і свердло фіксується. Спеціальний механізм запобігає вивільненню свердла без проведення перерахованих операцій.

## **ВСТАВЛЕННЯ І ЗАТЯГУВАННЯ СВЕРДЛА З ЦИЛІНДРИЧНИМ ХВОСТОМ У ПАТРОН**

Адаптер 3 вставити у гніздо 2, як описано вище. Трьохщелеповий патронник III загорнути в адаптер 3 і зафіксувати блокуючим гвинтом 1. У цій конфігурації перфратор може працювати у режимі "свердло".



#### **У машинах з трикулачним патроном:**

Шляхом обертання вінця патрона 14 за годинниковою стрілкою або назад кулачки вводяться в положення, що дозволяє вставити між ними хвостовик свердла. Обертанням вінця патрона 14 за годинниковою стрілкою кулачки затискають хвостовик свердла.

Спеціальним ключем свердло фіксується остаточно у патроні рівномірним затиском у трьох отворах.

#### **У машинах з швидкозакримним патроном:**

Затримується задній вінець й обертається передній вінець до тих пір, поки патрон не відкриється достатньо для того, щоб установити свердло. Після цього рукою затягується передній вінець, під час чого чути виразний звук.

## **ЗНЯТТЯ ПАТРОНУ**

#### **Для машин з трикулачним патроном:**

Кулачки патрона III відкриваються до кінця і за допомогою викрутки відгвинчується запобіжний гвинт 1 з лівою різьбою. Адаптер 3 перфоратора фіксується ключем S17. Спеціальним ключем для затиснення патрона, вставленим в одне з трьох отворів, поворотом проти годинникової стрілки, використовуючи ключ як, відгвинчується патрон III від адаптера перфоратора.

#### **Для машин з швидкозакримним патроном:**

Затримується задній вінець й обертається передній вінець до тих пір, поки патрон не відкриється повністю. За допомогою викрутки відгвинчується запобіжний гвинт 1 з лівою різьбою. У патрон вставляється шестигранний ключ або будь-яке приладдя для загвинчування гвинтів, вільний кінець якого затискається підходящим способом. Адаптер 3 перфоратора затискають гайковим ключем і повертають проти годинникової стрілки.

## **ВСТАВЛЕННЯ І ЗАТЯГУВАННЯ ДОЛОТА З ХВОСТОМ SDS PLUS**

Перемикач режимів роботи 6 поставити у положення “молоток”. Зовнішній стакан сидла 2 відводиться назад. Долото вводять до упору стежачи за тим, щоб шліци гнізда посадки збіглися з пазами хвостовика, після чого опускають стакан і стопорять долото.

Перемикач 6 встановлюється навпроти символу “точка” для налаштування долота. У цьому положенні перемикача 6 долото можна повернути до обраного робочого положення, після чого перемикач 6 повернути до фіксування у положенні “молоток”. Під час роботи з

долотом перемикач 6 повинен бути встановлений завжди у положення “молоток”.

## **ВІДГВИНЧУВАННЯ І ЗАГВИНЧУВАННЯ БОЛТІВ, ГВИНТІВ І ГАЙОК**

В патроні III затискається вищеописаним чином відповідне приладдя для загвинчування, відгвинчування болтів, гайок або гвинтів. Перемикач робочих режимів 6 встановлюється проти символу “свердло”. Важелю для зміни напрямку обертання 10 вибирається операція відгвинчування або загвинчування. Операції виконуються тільки на низьких оборотах.



**ЗАСТЕРЕЖЕННЯ:** Під час закручування довгих болтів і гвинтів існує небезпека від вислизання.

## **ДОДАТКОВА РУКОЯТКА**

Додаткова рукоятка 9 затягується на шийці 4 перфоратора. В цілях безпеки додаткова рукоятка 9 повинна використовуватися постійно. Глибина отворів, що пробиваються може бути фіксована за допомогою обмежувача глибини 8.

Додаткова рукоятка цих моделей монтують до корпусу за допомогою віброгасильних елементів, які захищають оператора і знижують трудомісткість робіт.

## **ОБМЕЖЕННЯ КРУТНОГО МОМЕНТУ**

Оберігає з'єднувач машини обмежує крутний момент. У разі спрацювання з'єднувач відключає привід шпинделя і робочий інструмент (свердло) перестає крутитися. Машину слід виключити негайно, щоб запобігти її зносу передчасно.

## **РЕКОМЕНДАЦІЇ ПІД ЧАС РОБОТИ**

При низьких температурах й у випадках, коли машину не використовували протягом довгого часу, її слід залишити працювати деякий час на холостому ходу, щоб вона нагрілася. Таким чином поліпшується змащення частин. Ударне свердління неможливе, якщо машина не нагрілася нормально.

Під час свердління по бетону застосовуйте помірний тиск (приблизно 80-100 N). Значний тиск не підвищує продуктивність свердління і призводить до скорочення терміну служби інструменту.

Перед вставленням у машину слід очистити і змастити хвіст робочого інструмента. Час від

часу виймайте свердло з гнізда для видалення пилю. Стежте за ступенем зносу /затуплення/ свердла. У разі значного /видимого/ зниження продуктивності свердло замінити.

У крайньому лівому положенні важеля 10 робота у режимі «ударне свердління» й у режимі «молоток» заборонена.

Іноді під час роботи у режимі «молоток» (довбання, відламування) й у режимі «ударне свердління» залежно від матеріалу можливе послаблення сили ударів. Щоб відновити максимальну силу ударів необхідно зменшити обороти машини, відпускаючи спуск вимикача 12, поки не відчуєте сильні стійкі удари. Під час свердління у металах отворів більшого діаметра заздалегідь розсвердлити отвір меншого діаметра.

Оптимальний діаметр свердління по бетону становить 16 mm, можливий - до 26 mm.

Перфоратор зручний для легкої обробки долотом. Довговічність перфоратора і висока продуктивність забезпечуються гострими інструментами для довбання (долота).

## **ПРИЛАДДЯ, ЯКЕ МОЖЕ ВИКОРИСТОВУВАТИСЬ З ЦИМ ЕЛЕКТРОІНСТРУМЕНТОМ**

- Свердла по сталі діаметром від Ø3 mm до Ø13 mm
- Свердла по деревині діаметром від Ø3 mm до Ø30 mm
- Свердла по бетону SDS plus діаметром від Ø3 mm до Ø26 mm
- Боркоронки SDS + діаметром до Ø65 mm
- Шила SDS + довжиною до 250 mm
- Долота SDS + шириною до 40 mm
- Борозниці SDS + шириною до 22 mm
- Наконечники з приєднувальним шестигранником 6.35 mm (1/4 ") для загвинчування гвинтів



**ЗАСТЕРЕЖЕННЯ:** Для цього електроінструменту рекомендується зазначене вище приладдя або пристосування. Використання іншого приладдя або пристосувань є передумовою трудової події. Використовуйте приладдя або пристосування тільки за призначенням. У разі необхідності у додатковій інформації звертайтеся до місцевого сервісу SPARKY.

## **VII - Обслуговування**



**ЗАСТЕРЕЖЕННЯ:** Завжди вимикайте електроінструмент та виймайте штепсель з розетки перед тим, як розпочати будь-яку перевірку або обслуговування.

### **ЗАГАЛЬНА ПЕРЕВІРКА**

Регулярно проводьте перевірку всіх кріплень - вони повинні бути міцно стягнуті. У випадку, якщо який-небудь гвинт відкрутиться, його слід негайно закрити щоб уникнути небезпеки.

У разі пошкодження кабелю живлення, його заміну повинен зробити виробник або його сервісний фахівець, щоб уникнути небезпеки.

### **ДОГЛЯД**

Для забезпечення безпечної роботи завжди підтримуйте у чистоті і машину, й її вентиляційні отвори.

Регулярно перевіряйте вентиляційні отвори електродвигуна або перемикачів на наявність пилю або сторонніх тіл. Використовуйте м'яку щітку для видалення пилю. Щоб уникнути пошкодження очей, під час догляду за пристроєм користуйтеся захисними окулярами.

Якщо корпус машини забруднений, протріть його м'якою вологою серветкою. Можна використовувати щадний миючий препарат.



**ЗАСТЕРЕЖЕННЯ:** Не допускається використання спирту, бензину та інших розчинників. Ніколи не користуйтеся роз'їдаючими препаратами для чищення пластмасових частин.



**ЗАСТЕРЕЖЕННЯ:** Не допускається попадання і контакт пристрою з водою..

**ВАЖЛИВО!** З метою забезпечення безпеки роботи електроінструменту і його надійності, всі ремонтні роботи, обслуговування і регулювання пристрою (включаючи перевірку і заміну щіток) слід проводити у спеціалізованих сервісах SPARKY, використовуючи виключно оригінальні запасні частини.

## VIII - Гарантія

---

Гарантійний термін електроприладів SPARKY вказаний в гарантійній карті.

Несправності, що з'явилися в результаті природного зношування, перевантаження або неправильного користування, не входять до гарантійних зобов'язань.

Несправності, що з'явилися внаслідок застоювання неякісних матеріалів та / або через виробничі помилок, усуваються без додаткової оплати шляхом заміни або ремонту.

Рекламації дефектного електроприладу SPARKY приймаються у тому випадку, якщо прилад буде повернуто постачальнику, або спеціалізованому гарантійного сервісу в не розібраному (початковому) стані.

## Примітки

---

Уважно прочитайте всю інструкцію з експлуатації, перед тим, як приступити до використання виробу.

Виробник зберігає за собою право вносити у свої вироби поліпшення і зміни, а також змінювати специфікації без попередження.

Специфікації для різних країн можуть відрізнятися.

## Съдържание

I - Въведение .....	98
II - Технически данни .....	100
III - Общи указания за безопасност при работа с електроинструменти .....	101
IV - Допълнителни правила за безопасност при работа с перфоратори.....	103
V - Запознаване с електроинструмента .....	A/104
VI - Указания за работа .....	105
VII - Поддръжка .....	108
VIII- Гаранция .....	108

### РАЗОПАКОВАНЕ

В съответствие с общоприетите технологии на едросерийно производство е малко вероятно Вашият електроинструмент да бъде неизправен или някоя от частите му да липсва. Ако забележите, че нещо не е наред, не работете с електроинструмента, докато повредената част не бъде заменена или неизправността не бъде отстранена. Неспазването на тази препоръка може да доведе до сериозна трудова злополука.

### СГЛОБЯВАНЕ

Перфораторът, опакован в куфар, се доставя напълно сглобен.

Перфораторът, опакован в кутия, се доставя сглобен, с изключение на допълнителната ръкохватка.

## I - Въведение

Новопридобитият от Вас електроинструмент SPARKY ще надхвърли Вашите очаквания. Той е произведен в съответствие с високите стандарти на качеството на SPARKY, отговарящи на строгите изисквания на потребителя. Лесен за обслужване и безопасен при експлоатация, при правилна употреба този електроинструмент ще Ви служи надеждно дълги години.

### ПРЕДУПРЕЖДЕНИЕ!



Внимателно прочетете цялата инструкция за използване преди да използвате новопридобития си електроинструмент SPARKY. Обърнете специално внимание на текстовете, които започват с думата “Предупреждение”. Вашият електроинструмент SPARKY притежава много качества, които ще улеснят Вашата работа. При разработката на този електроинструмент най-голямо внимание е обърнато на безопасността, експлоатационните качества и надеждността, които го правят лесен за поддръжка и експлоатация.



#### Не изхвърляйте електроинструменти заедно с битовите отпадъци!

Отпадъците от електрически изделия не трябва да се събират заедно с битовите отпадъци. Моля, рециклирайте на местата, предназначени за това. Свържете се с местните власти или представител за консултация относно рециклирането.

### ОПАЗВАНЕ НА ОКОЛНАТА СРЕДА



С оглед опазване на околната среда електроинструментът, принадлежностите и опаковката трябва да бъдат подложени на подходяща преработка за повторно използване на съдържащите се в тях суровини.

За облекчаване на рециклирането детайлите, произведени от изкуствени материали, са обозначени по съответния начин.

## ОПИСАНИЕ НА СИМВОЛИТЕ

Върху табелката с данни на електроинструмента са означени специални символи. Те предоставят важна информация за изделието или инструкциите за неговото ползване.



Двойна изолация за допълнителна защита.



Съответства на приложимите европейски директиви.



Съответства на изискванията на руските нормативни документи.



Съответства на изискванията на украинските нормативни документи.




Запознайте се с инструкцията за използване.

YYYY-Www    Период на производство, където променливи символи са:  
YYYY - година на производство,  
Www - поредна календарна седмица.

BPR            Перфоратор.

## II - Технически данни

Модел	BPR 261E
Консумирана мощност	820 W
Обороти на празен ход	
в дясна посока	0-1300 min <sup>-1</sup>
в лява посока	0-740 min <sup>-1</sup>
Електронно регулиране на оборотите	да
Смяна посоката на въртене	да
Предпазен механичен съединител	да
Обхват на патронника	1,5-13 mm
Максимален брой на ударите	5450 min <sup>-1</sup>
Максимален диаметър на свредлото:	
за бетон	26 mm
за стомана	13 mm
за дърво	30 mm
Система на закрепване на инструмента	SDS plus
Тегло (ЕРТА процедура 01/2003)	3,1 kg
Клас на защита (EN 60745-1) 	II

### ИНФОРМАЦИЯ ЗА ШУМ И ВИБРАЦИИ

Стойностите са измерени съгласно EN 60745.

#### Излъчване на шум

A-претеглено ниво на звуково налягане L <sub>PA</sub>	90,0 dB (A)
Неопределеност K <sub>PA</sub>	3,0 dB (A)
A-претеглено ниво на звукова мощност L <sub>WA</sub>	101,0 dB (A)
Неопределеност K <sub>WA</sub>	3,0 dB (A)

#### Използвайте средства за защита от шума!

#### Излъчване на вибрации \*

Обща стойност на вибрациите (векторна сума по трите оси), определена съгласно EN 60745:

Ударно пробиване в бетон	
Стойност на излъчените вибрации a <sub>h,HD</sub>	15,0 m/s <sup>2</sup>
Неопределеност K <sub>HD</sub>	1,5 m/s <sup>2</sup>
Къртене	
Стойност на излъчените вибрации a <sub>h,CHeq</sub>	11,5 m/s <sup>2</sup>
Неопределеност K <sub>CHeq</sub>	1,5 m/s <sup>2</sup>
Пробиване в стомана	
Стойност на излъчените вибрации a <sub>h,D</sub>	6,5 m/s <sup>2</sup>
Неопределеност K <sub>D</sub>	1,5 m/s <sup>2</sup>

\* Вибрациите са определени съгласно т. 6.2.7 на EN 60745-1.

Посоченото в тази инструкция ниво на вибрации е измерено в съответствие с методиката за изпитване, указана в EN 60745 и може да се използва за сравняване на електроинструменти. Нивото на вибрации може да се използва за предварителна оценка на степента на въздействие.

Декларираното ниво на вибрации се отнася за основното предназначение на електроинструмента. В случаите, при които електроинструментът се използва за друго предназначение, с други принадлежности или ако електроинструментът не се поддържа добре, нивото на вибрации може се различава от посоченото. В тези случаи нивото на въздействие може значително да нарасне в границите на общия период на работа.

При оценката на нивото на въздействие на вибрации трябва също да се отчита времето, през което електроинструментът е изключен или е включен, но не се използва. Това може значително да понижи нивото на въздействие в границите на общия период на работа.

Поддържайте електроинструмента и принадлежностите в добро състояние. Пазете ръцете си топли по време на работа - това ще намали вредното въздействие при работа с повишени вибрации.

Прахът, отделян при обработването на материали като оловосъдържащи бои, някои видове дървесина, минерали и метали, може да бъде опасен за здравето. Допирът или вдишването на праха може да предизвика алергични реакции и/или заболявания на дихателните пътища на оператора или на намиращи се в близост лица.

Някои видове прах, например от дъб или бук, се считат за канцерогенни, особено в комбинация с добавки за обработка на дървесина (хромат, консерванти). Материал, който съдържа азбест, трябва да се обработва само от специалисти.

- Когато това е възможно, използвайте прахоотвеждане.

- За да се постигне висока степен на прахоулавяне, при работа с този електроинструмент използвайте прахосмукачка, предназначена за събиране на прах от дървесина или за прах от дървесина и/или минерален прах.

- Осигурете добра вентилация на работното място.

- Препоръчва се използването на защитна маска за прах с филтър клас P2.

Спазвайте действащите във вашата страна разпоредби за обработване на съответните материали.

### III - Общи указания за безопасност при работа с електроинструменти



**ПРЕДУПРЕЖДЕНИЕ!** Четете всички предупреждения и указания за безопасност. Неспазването на предупрежденията и указанията за безопасност може да предизвика поражение от електрически ток, пожар и/или сериозно нараняване.

**Запазете всички предупреждения и указания за бъдещо ползване.**

Терминът “електроинструмент” във всички описани по-долу предупреждения се отнася до вашия електроинструмент, захранван от мрежата (с шнур) и/или електроинструмент, захранван от акумулаторна батерия (без шнур).

#### 1) Безопасност на работното място

- а) Поддържайте работното място чисто и добре осветено. Безпорядъкът и недостатъчното осветление са предпоставка за трудови злополуки.
- б) Не работете с електроинструменти в експлозивни атмосфери при наличие на запалими течности, газове или прах. Електроинструментите образуват искри, които могат да възпламенят праха или парите.
- в) Дръжте децата и страничните лица на разстояние, когато работите с електроинструмент. Разсейването може да

доведе до загуба на контрол от Ваша страна.

#### 2) Електрическа безопасност

- а) Щепселите на електроинструментите трябва да съответстват на контактите. Никога не променяйте щепсела по какъвто и да било начин. Не използвайте каквито и да са адаптерни щепсели за електроинструменти със защитно заземяване. Употребата на непроменени щепсели и съответстващите им контакти намалява риска за поражение от електрически ток.
- б) Избягвайте допир на тялото до земя или до заземени повърхности, такива като тръби, радиатори, кухненски печки и хладилници. Ако тялото ви е заземено, съществува повишен риск от поражение от електрически ток.
- в) Не излагайте електроинструментите надъждили във влажна среда. Проникването на вода в електроинструмента повишава риска от поражение от електрически ток.
- г) Използвайте шнура по предназначение. Никога не използвайте шнура за носене на електроинструмента, опъване или изваждане на щепсела от контактното гнездо. Дръжте шнура далече от топлина, масло, остри ръбове или движещи се части. Уредени или оплетени шнурове повишават риска за поражение от електрически ток.
- е) При работа с електроинструмента на открито, използвайте удължител, подходящ за работа на открито. Използването на удължител, подходящ за работа на открито, намалява риска от поражение от електрически ток.

- f) Ако работата с електроинструмента във влажна среда е неизбежна, използвайте предпазно устройство, задействано от остатъчен ток, за прекъсване на захранването. Използването на предпазно устройство намалява риска от поражение от електрически ток.

### 3) Лична безопасност

- a) Бъдете бдителни, работете с повишено внимание и проявявайте благоразумие, когато работите с електроинструмент. Не използвайте електроинструмента, когато сте уморени или под влияние на наркотици, алкохол или медикаменти. Момент на невнимание при работа с електроинструмент може да предизвика сериозна трудова злополука.
- b) Използвайте лични предпазни средства. Носете винаги средства за защита на очите. Лични предпазни средства, като маска против прах, неплъзгащи се безопасни обувки, защитен шлем или средства за защита на слуха, използвани при конкретните условия, намаляват риска от трудови злополуки.
- c) Избягвайте неволно пускане. Убедете се, че прекъсвачът е в изключено положение преди включване към източник на захранване и/или акумулаторна батерия, преди да го вземете или пренасяте. Носенето на електроинструмент с пръст върху прекъсвача или свързването към източник на захранване на електроинструмент с прекъсвач във включено положение е предпоставка за трудова злополука.
- d) Отстранете всеки ключ за затягане или гаечен ключ преди включване на електроинструмента. Ключ за затягане или гаечен ключ, прикрепен към въртяща се част на електроинструмента, може да предизвика трудова злополука.
- e) Не се пресягайте. Поддържайте правилен строеж и равновесие през цялото време. Това позволява по-добро управление на електроинструмента при неочаквани ситуации.
- f) Носете подходящо работно облекло. Не носете широки дрехи или бижута. Дръжте косите си, дрехите и ръкавиците далеч от движещи се части. Широки дрехи, бижута или дълги коси

могат да се захванат от движещи се части.

- g) Ако електроинструментът е снабден с приспособления за засмукване и улавяне на прах, убедете се, че те са свързани и правилно използвани. Използването на тези устройства може да намали свързаните с прах опасности.
- ### 4) Използване и грижи за електроинструментите
- a) Не претоварвайте електроинструмента. Използвайте правилно избрания електроинструмент според приложението. Правилно избраният електроинструмент работи по-добре и по-безопасно при обявения режим на работа, за който е проектиран.
- b) Не използвайте електроинструмента, ако прекъсвачът не превключва във включено и изключено положение. Всеки електроинструмент, който не може да бъде управляван с прекъсвач, е опасен и трябва да бъде ремонтиран.
- c) Разединете щепсела от захранващата мрежа преди да извършите всякакви настройки, преди замяна на принадлежност или преди да приберете електроинструмента за съхранение. Тези предпазни мерки за безопасност намаляват риска от неволно пускане на електроинструмента.
- d) Съхранявайте неизползваните електроинструменти на места, недостъпни за деца и не позволявайте на обслужващи лица, които не познават електроинструмента или не са запознати с тези инструкции, да работят с него. Електроинструментите са опасни в ръцете на необучени потребители.
- e) Поддържайте електроинструментите. Проверявайте движещите се части дали функционират нормално и се движат свободно, целостта и изправността на частите, както и за всякакво друго обстоятелство, което може неблагоприятно да повлияе на работата на електроинструмента. Ако е повреден, електроинструментът трябва да бъде ремонтиран преди по-нататъшно използване. Много злополуки са причинени от лошо поддържани електроинструменти.
- f) Поддържайте режещите инструменти остри и чисти. Правилно поддържаните режещи инструменти с остри ре-



жещи ръбове е по-малко вероятно да блокират и са по-лесни за управление.

- g) Използвайте електроинструмента, принадлежностите и частите на инструмента и т.н. в съответствие с тези инструкции и по начин, предвиден за конкретния тип електроинструмент, като вземате предвид работните условия и работата, която трябва да се извършва. Използването на електроинструмента за работа, различна от тази, за която е проектиран, може да предизвика опасна ситуация.

#### 5) Обслужване

- a) Поддържайте вашия електроинструмент при квалифициран специалист по ремонта, като използвате само оригиналните резервни части. Това осигурява запазването на безопасността на електроинструмента.

## IV - Допълнителни указания за безопасност при работа с перфоратори



Използвайте средства за защита на слуха при работа с електроинструмента. Интензивният шум по време на работа може да предизвика слухови увреждания.

- Винаги използвайте допълнителната ръкохватка, доставена с машината. Загубата на контрол може да предизвика трудова злополука.



По време на работа използвайте средства за защита на зрението, за да се предпазите от хвърчащи частици. Носете защитни очила.



Вземете предпазни мерки срещу вдихване на прах. Някои материали могат да съдържат токсични съставки. Носете прахозащитна маска. Използвайте устройство за прахоотвеждане, ако е възможно присъединяването му към електроинструмента.

- Дръжте електроинструмента само за изолираните повърхности за захващане когато извършвате операция, при която режещата принадлежност може

да допре до скрита ел.инсталация или до собствения шнур. Допирът на режещата принадлежност до проводник под напрежение ще постави откритите метални части на електроинструмента под напрежение и операторът ще получи токов удар.

- Не обработвайте материали, съдържащи азбест. Азбестът се счита за канцерогенно вещество.



**ПРЕДУПРЕЖДЕНИЕ:** Преди да свържете електроинструмента към захранващата мрежа, убедете се че захранващото напрежение отговаря на посоченото върху табелката с технически данни на електроинструмента.

- Източник на захранване с напрежение, по-високо от посоченото за електроинструмента, може да предизвика както сериозно поражение от електрически ток върху оператора, така и повреда на електроинструмента.
- Ако имате някакви колебания, не поставяйте щепсела на електроинструмента в контактното гнездо.
- Използването на източник на захранване с напрежение, по-ниско от обозначеното върху табелката на електроинструмента, ще увреди електродвигателя.
- За да се предотврати евентуално прегряване, винаги развивайте докрай кабела от удължител с кабелен барабан.
- Когато се налага използването на удължител, убедете се, че сечението му отговаря на номиналния ток на използвания електроинструмент, както и в изправността на удължителя.



**ПРЕДУПРЕЖДЕНИЕ:** Винаги изключвайте електроинструмента и изваждайте щепсела от контакта преди извършване на каквато и да било настройка, обслужване или поддръжка.

- Докато работите винаги дръжте машината здраво с двете си ръце и поддържайте стабилно положение на тялото. Електроинструментът се направлява безопасно, когато го дръжите с две ръце.
- Преди започване на работа проверявайте с подходящ металотърсач за наличието на скрита електроинсталация, газопровод или водопровод или потърсете съдействие от

съответните местни служби. Допирът на свредлото до скрита електроинсталация може да предизвика поражение от електрически ток. Повредата на газопровод може да предизвика експлозия. Пробиването на водопровод ще предизвика повреда на собственост или поражение от електрически ток.

- Дръжте захранващия кабел извън работния обсег на машината.
- Не използвайте електроинструмента с повреден кабел. Не докосвайте повредения кабел и извадете щепсела от контакта, ако кабелът се повреди по време на работа. Повредените кабели повишават риска от токов удар.
- Винаги поддържайте стабилно положение на тялото си. Когато работите с електроинструмента на височина, убедете се, че под вас няма никой.
- Фиксирайте обработвания детайл в менгеме или по друг подходящ начин.
- Следете инерционния момент при пускане на електроинструмента или при заклиняване на свредлото. Веднага изключете електроинструмента ако свредлото блокира. Бъдете нащрек за висок реактивен момент, който може да предизвика откат. Свредлото ще блокира ако претоварите електроинструмента или ако то се заклини в обработвания материал.
- Не докосвайте свредлото или обработвания детайл веднага след работа. Те могат да бъдат много горещи и да предизвикат изгаряне на кожата.
- Поддържайте чисто работното място. Смесването на прах от различни материали е особено опасно. Прахът от леки метали може да гори или експлодира.
- Никога не оставяйте парцали, кълчища, проводници или тел в близост до работното място.
- Винаги изключвайте машината преди да я оставите настрана.
- Електроинструментът трябва да се използва само по предназначение. Всякаква друга употреба, различаваща се от описаната в тази инструкция, ще се счита за неправилна употреба. Отговорността за всякаква повреда или нараняване, произтичащи от неправилна употреба, ще се носи от потребителя, а не от производителя.
- За да експлоатирате правилно този електроинструмент, трябва да съблюдавате правилата за безопасност, общите инструкции и указанията за работа, посочени тук.

Всички потребители трябва да са запознати с тази инструкция за експлоатация и информирани за потенциалните рискове при работата с електроинструмента. Деца и физически слаби хора не трябва да използват електроинструмента. Децата трябва да бъдат под непрекъснато наблюдение ако се намират в близост до мястото, където се работи с електроинструмента. Задължително е да предприемете и превантивни мерки за безопасност. Същото се отнася и за спазването на основните правила за професионалното здраве и безопасност.

- Производителят не носи отговорност за извършени от потребителя промени върху електроинструмента или за повреди, предизвикани от подобни промени.
- Електроинструментът е предназначен за работа в помещения и зони с нормална пожарна опасност съгласно "Наредба №2 "Противопожарни строително-технически норми". Не се допуска използването му във взривоопасна и пожароопасна среда, при температура на околния въздух над 40°C, в особено влажна среда, при наличие на валежи и в химически активна среда. Работното място трябва да е добре осветено.

## V - Запознаване с електроинструмента

Преди да започнете да работите с електроинструмента се запознайте с всички оперативни особености и условия за безопасност. Използвайте електроинструмента и принадлежностите му само по предназначение. Всяко друго приложение е изрично забранено.

1. Осигуряващ винт
  2. Гнездо за SDS plus свредла
  3. Адаптер
  4. Шийка на перфоратора
  5. Фиксатор
  6. Превключвател на работните режими
  7. Вентилационни отвори
  8. Ограничителна линия
  9. Допълнителна ръкохватка
  10. Лост за смяна посоката на въртене
  11. Електронен регулатор на оборотите
  12. Прекъсвач
  13. Бутон за застопоряване на прекъсвача
  14. Втулка освобождаваща
- III. Тричелюстен патронник

## VI - Указания за работа

Този електроинструмент се захранва само с еднофазно променливо напрежение. Той е с двойна изолация съгласно EN 60745-1 и IEC 60745 и може да се присъединява към контакти без защитни клеми. Радиосмущенията съответстват на Директивата за електромагнитна съвместимост 2004/108/ЕС.

Перфораторът е предназначен за ударно пробиване на отвори в бетон, камък, зидария и други крехки материали и за пробиване на отвори в стомана, дърво, пластмасата и др.

### ПРЕДИ ДА ЗАПОЧНЕТЕ РАБОТА

- Проверете дали напрежението на електрическата мрежа отговаря на това, означено върху табелката с технически данни на електроинструмента.
- Проверете в какво положение се намира прекъсвачът. Електроинструментът трябва да се присъединява и отделя от захранващата мрежа само при изключен прекъсвач. Ако поставите щепсела в контакт докато прекъсвачът е във включено положение, електроинструментът веднага ще се задейства, което е предпоставка за злополука.
- Убедете се в изправността на захранващия кабел и щепсел. Ако захранващият кабел е повреден, заменятая трябва да се извърши от производителя или от негов сервизен специалист, за да се избегнат опасностите от замената.



**ПРЕДУПРЕЖДЕНИЕ:** Винаги изключвайте електроинструмента и изваж-дайте щепсела от контакта преди извършване на всякава настройка, обслужване или поддръжка.

- Ако зоната на работа е отдалечена от източника на захранване, използвайте колкото е възможно по-къс удължител с подходящо сечение.
- Проверете дали допълнителната ръкохватка е правилно поставена и надеждно затегната.

### ПУСКАНЕ - СПИРАНЕ

#### Кратковременно задействане

- Пускане: Прекъсвач 12 се натиска.
- Спиране: Прекъсвач 12 се отпуска.

#### Продължителна работа

- Пускане: Прекъсвач 12 се натиска при положение на лоста 10 в дясна посока и в натиснатото състояние се застопорява с бутон 13.
- Спиране: Прекъсвач 12 се натиска еднократно и се отпуска веднага.

### БЕЗСТЕПЕННО ЕЛЕКТРОННО РЕГУЛИРАНЕ НА ОБОРОТИТЕ

Леко натискане на прекъсвача 12 предизвиква задействане на перфоратора на ниски обороти, които плавно се увеличават до максимални с увеличаване на натиска върху прекъсвача до достигане на крайно положение.

### ИЗБОР НА ЧЕСТОТА НА ВЪРТЕНЕ

Необходимата честота на въртене се задава предварително посредством завъртане диска на регулатора 11 в посока "G" за повишаване на оборотите, а в посока "A" - за понижаване. По този начин се осигурява оптимален режим на пробиване в различни материали - метал, бетон и др.

### СМЯНА ПОСОКАТА НА ВЪРТЕНЕ

Преди да започнете пробиването, винаги проверявайте посоката на въртене.

Крайно дясно положение на лоста 10 означава въртене по посока на часовниковата стрелка, а крайно ляво - обратна на нея. При натиск върху прекъсвача 12 лостът 10 не може да бъде задействан. Смяна на посоката на въртене става само в покой на перфоратора.

При работа с посока на въртене срещу часовниковата стрелка (лява посока), спусъкът на прекъсвача е с ограничен ход и машината работи с обороти от положение "A" до "E" на електронния регулатор 11. До положение "E" работи и бутонът за застопоряване 13.

### ПРЕВКЛЮЧВАНЕ НА РАБОТНИТЕ РЕЖИМИ

Превключването на работните режими да се извършва последователно в покой или при спираща машина.

Натиска се фиксаторът 5 на превключвателя на работните режими 6 и същевременно превключвателят се завърта до желаното положение:

- пробиване - пробиване на отвори в метал, дърво, пластмаса и др
- ударно пробиване - пробиване на отвори в бетон, камък и др.
- дълбаене - дълбаене на канали в бетон и къртене.
- настройване на длетото - за удобство при работа, длетото се поставя в желаното положение и се фиксира.

## **ПОСТАВЯНЕ И ЗАТЯГАНЕ НА SDS PLUS СВРЕДЛО**

Втулка освобождаваща 14 на гнездото 2 се изтегля назад докрай. SDS plus свредлото се вкарва до упор, като се внимава шлиците на гнездото да влязат в каналите на опашката му, след което втулка освобождаваща се отпуска и свредлото се застопорява. Специален механизъм не допуска изваждане на свредлото, без да са повторени горепосочените операции.

## **ПОСТАВЯНЕ И ЗАТЯГАНЕ НА СВРЕДЛО С ЦИЛИНДРИЧНА ОПАШКА В ПАТРОННИК**

Адаптерът 3 се поставя в гнездото 2 по начина, описан по-горе. Тричелюстният патронник III се завива на адаптера 3 и се фиксира с осигуряващ винт 1. В тази конфигурация перфтораторът може да работи в режим "свредло".

### **При машини с тричелюстен патронник**

Посредством завъртане на короната на патронника III в посока на часовниковата стрелка или обратно, челюстите му се придвижват до положение, позволяващо опашката на свредлото да влезе между тях. Чрез завъртане на короната на патронника III в посока на часовниковата стрелка, челюстите затягат опашката на свредлото. Със специалния ключ свредлото се фиксира окончателно в патронника, който равномерно се затяга в трите отвора.

### **При машини с бързостягащ патронник**

Задържа се задната корона и се завърта предната корона докато патронникът се разтвори достатъчно, за да се постави свредлото. След това се затяга с ръка предната корона, при което се чува отчетлив звук.

## **ДЕМОНТИРАНЕ НА ПАТРОННИКА ОТ АДАПТЕРА НА ПЕРФОРАТОРА**

### **При машини с тричелюстен патронник**

Челюстите на патронника III се отварят докрай и с помощта на отверка се отвива осигуряващият винт с лява резба. Адаптерът 3 на перфторатора се фиксира с ключ S17. Специалният ключ за затягане на патронника се поставя в един от трите отвора и с въртене в посока обратна на часовниковата стрелка, използвайки ключа за лост, се отвива патронника III от адаптера на перфторатора.

### **При машини с бързостягащ патронник**

Задържа се задната корона и се завърта предната корона докато патронникът се разтвори докрай. С помощта на отверка се отвива осигуряващият винт, който е с лява резба. В патронника се поставя шестостенен ключ или приспособлението за завиване на винтове, чийто свободен край се затяга по подходящ начин. Адаптерът 3 на перфторатора се захваща с гаечен ключ и патронникът се върти в посока, обратна на часовниковата стрелка.

## **ПОСТАВЯНЕ НА ДЛЕТО С ОПАШКА SDS PLUS**

Превключвателят на работните режими 6 се поставя в положение "чук". Втулка освобождаваща 14 на гнездо 2 се изтегля назад. Длетото се вкарва до упор, като се следи шлиците на гнездото да влязат в каналите на опашката му, след което втулка освобождаваща се отпуска и длетото се застопорява. Превключвателят 6 се поставя срещу символ "точка" за настройване на длетото. В това положение на превключвателя 6 длетото може да бъде завъртяно в желаното положение за работа, след което превключвателят 6 се завърта до фиксиране в положение "чук". За работа с длето, превключвателят 6 трябва да бъде винаги в положение "чук".

## **ОТВИВАНЕ И ЗАВИВАНЕ НА БОЛТОВЕ, ВИНТОВЕ И ГАЙКИ**

В патронника III се затяга по гореописания начин, съответното приспособление за завиване, респективно за отвиване на болтове, гайки или винтове. Превключвателят 6 на работните режими се поставя срещу символа "свредло". С лоста 10 за смяна на посоката на въртене се избира операция отвиване или завиване. Операциите се извършват само при ниски обороти.



**ПРЕДУПРЕЖДЕНИЕ:** При завиване на дълги болтове и винтове има опасност от изплъзване на перфоратора!

## **ДОПЪЛНИТЕЛНА РЪКОХВАТКА**

Допълнителната ръкохватка 9 се затяга на шийката 4 на перфоратора. От съображения за сигурност допълнителната ръкохватка 9 трябва да се използва постоянно. Дълбочината на пробиваните отвори може да се фиксира посредством ограничителната линия 8. Допълнителната ръкохватка на тези модели е свързана с корпуса на машината посредством виброгасящи елементи, което защитава оператора и намалява умората при работа.

## **ОГРАНИЧАВАНЕ НА ВЪРТЯЩИЯ МОМЕНТ**

Предпазният съединител на машината ограничава въртящия момент. При задействане на предпазния съединител се прекъсва задвижването на вретеното и работния инструмент (свредло) спира да се върти. Машината трябва веднага да се изключи, за да се предотврати преждевременно износване.

## **ПРЕПОРЪКИ ПРИ РАБОТА**

При ниски температури и ако машината не е работила отдавна я оставете да поработи известно време на празен ход, за да загрее. По този начин се подобрява смазването. Пробиването с удар е невъзможно, ако машината не е загряла правилно.

Прилагайте умерен натиск при пробиване в бетон (приблизително 80-100 N). Големият натиск не повишава производителността при пробиване и води до намаляване живота на машината.

Преди поставяне в машината опашката на работния инструмент да се почисти и да се смаже. От време на време изваждайте свредлото от отвора, за да се отстрани праха. Да се следи степента на затъпяване на свредлото и да се сменя, когато се забележи значително спадане на производителността. В крайно ляво положение на лоста 10 да не се работи в режим «ударно пробиване» и в режим «чук».

При работа в режим «чук» (дълбаене, къртене) и в режим «ударно пробиване» в зависимост от материала е възможно в някои

случаи силата на удара да намалее. За възстановяване на максималната сила на удара е необходимо да се намалат оборотите на машината посредством намаляване на натиска върху спусъка на прекъсвача 12, до появата на устойчив удар.

При пробиване в метал на отвор с голям диаметър, предварително пробийте отвор с по-малък диаметър.

Оптималният обхват при пробиване в бетон е до 16 mm, възможният обхват е до 26 mm.

Перфораторът е подходящ за лека обработка с длето. По-голяма дълготрайност на перфоратора и висока производителност могат да се осигурят само със заточени инструменти за дълбаене (длета).

## **ПРИНАДЛЕЖНОСТИ, КОИТО МОГАТ ДА БЪДАТ ИЗПОЛЗВАНИ С ТОЗИ ЕЛЕКТРОИНСТРУМЕНТ**

- Свредла за метал с диаметър от Ø3 mm до Ø13 mm
- Свредла за дърво с диаметър от Ø3 mm до Ø30 mm
- Свредла за бетон SDS plus с диаметър от Ø3 mm до Ø26 mm
- Боркорони SDS+ с диаметър до Ø65 mm
- Шила SDS+ с дължина до 250 mm
- Длета SDS+ с ширина до 40 mm
- Каналокопачи SDS+ с ширина до 22 mm
- Накрайници с присъединителен шестостен 6.35 mm (1/4") за завиване на винтове



**ПРЕДУПРЕЖДЕНИЕ:** За работа с този електроинструмент се препоръчват горепосочените принадлежности или приспособления. Употребата на принадлежности или приспособления, различни от посочените, е предпоставка за трудова злополука. Използвайте принадлежностите или приспособленията само по предназначение. Ако се нуждаете от допълнителна информация относно тези принадлежности, обрънете се към местния сервиз на SPARKY.

## VII - Поддръжка



**ПРЕДУПРЕЖДЕНИЕ:** Винаги изключвайте електроинструмента и изваж-дайте щепсела от контакта преди всякаква проверка или поддръжка.

### ОБЩА ПРОВЕРКА

Проверявайте редовно всички крепежни елементи и се уверете, че те са здраво притегнати. В случай, че някой от винтовете се е разхлабил, го затегнете незабавно, за да избегнете рискови ситуации.

Ако захранващият кабел е повреден, замяната трябва да се извърши от производителя или негов сервизен специалист, за да се избегнат опасностите от замяната.

### ПОЧИСТВАНЕ

За безопасна работа поддържайте винаги чисти машината и вентилационните отвори.

Редовно проверявайте дали във вентилационната решетка близо до електродвигателя или около превключвателите не е проникнал прах или чужди тела. Използвайте мека четка за да отстраните събралия се прах. За да предпазите очите си, по време на почистването носете защитни очила.

Ако корпусът на машината се нуждае от почистване, избършете го с мека влажна кърпа. Може да се използва слаб препарат за миене.



**ПРЕДУПРЕЖДЕНИЕ:** Не се допуска употребата на спирт, бензин или други разтворители. Никога не използвайте разяждащи препарати за почистване на пластмасовите части.



**ПРЕДУПРЕЖДЕНИЕ:** Не се допуска влизането на вода в контакт с машината.

**ВАЖНО!** За да се осигури безопасната работа с електроинструмента и неговата надеждност, всички дейности по ремонта, поддръжката и регулирането (включително проверката и подмяната на четките) трябва да се извършват в оторизираните сервиси на SPARKY с използване само на оригинални резервни части.

## VIII - Гаранция

Гаранционният срок на електроинструментите SPARKY се определя в гаранционна карта.

Неизправности, появили се в следствие на естествено износване, претоварване или неправилна експлоатация, се изключват от гаранционните задължения.

Неизправности, появили се в следствие на влагане на некачествени материали и/или производствени грешки, се отстраняват без допълнително заплащане чрез замяна или ремонт.

Рекламация на дефектирал електроинструмент SPARKY се признава, когато машината се върне на доставчика или се представи на оторизиран гаранционен сервиз в неразглобено (първоначално) състояние.

## Забележки

Внимателно прочетете цялата инструкция за експлоатация преди да използвате това изделие.

Производителят си запазва правото да въвежда подобрения и промени в своите изделия и да променя спецификациите без предупреждение.

Спецификациите могат да се различават за отделните страни.