



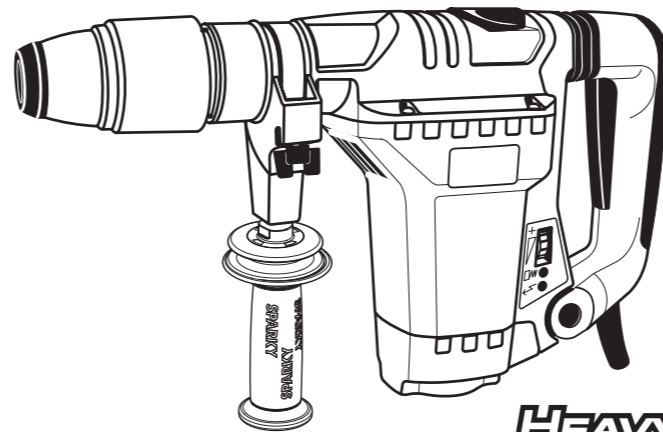
POWER
TOOLS



SPARKY

HD PROFESSIONAL

EN	ROTARY HAMMER	1 – 10
	Original instructions	
DE	BOHRHAMMER	11 – 21
	Originalbetriebsanleitung	
FR	MARTEAU PERFORATEUR	22 – 32
	Notice originale	
IT	MARTELLO PERFORATORE	33 – 43
	Istruzioni originali	
ES	MARTILLO PERFORADOR	44 – 55
	Instrucciones de uso originales	
PT	MARTELO PERFURADOR	56 – 66
	Manual original	
PL	MŁOT UDAROWO-OBROTOWY	67 – 77
	Oryginalna instrukcja obsługi	
RU	ЭЛЕКТРОННЫЙ ПЕРФОРАТОР	78 – 89
	Оригинальная инструкция по эксплуатации	
UK	ЕЛЕКТРОННИЙ ПЕРФОРАТОР	90 – 100
	Оригінальна інструкція з експлуатації	
BG	ПЕРФОРАТОР	101 – 112
	Оригинална инструкция за използване	



HEAVYDUTY

1010W

BP 540CE



EN

DECLARATION OF CONFORMITY

We declare under our sole responsibility that this product fulfils all the relevant provisions of the following directives and the harmonized standards:
2006/42/EC, 2004/108/EC, 2011/65/EU, EN 60745-1, EN 60745-2-6, EN 55014-1, EN 55014-2, EN 61000-3-2, EN 61000-3-3.
Technical file is stored at SPARKY ELTOS AG, Koubrat Str. 9, 5500 Lovetch, Bulgaria.

DE

KONFORMITÄTSERKLÄRUNG

Hiermit versichern wir unsere persönliche Haftung, dass dieses Erzeugnis allen einschlägigen Bestimmungen folgender Richtlinien und entsprechender harmonisierter Standards entspricht:
2006/42/EC, 2004/108/EC, 2011/65/EU, EN 60745-1, EN 60745-2-6, EN 55014-1, EN 55014-2, EN 61000-3-2, EN 61000-3-3.
Die technischen Unterlagen werden bei SPARKY ELTOS AG, Kubrat Str.9, 5500 Lovetch, Bulgarien, aufbewahrt.

FR

DECLARATION DE CONFORMITE

Nous déclarons sous notre responsabilité que ce produit satisfait à l'ensemble des dispositions pertinentes de la présente directives, respectivement aux normes harmonisées:
2006/42/EC, 2004/108/EC, 2011/65/EU, EN 60745-1, EN 60745-2-6, EN 55014-1, EN 55014-2, EN 61000-3-2, EN 61000-3-3.
Le dossier technique est conservé par SPARKY ELTOS AD, 9, rue Kubrat, Lovech, Bulgarie.

IT

DICHIARAZIONE DI CONFORMITÀ

Noi dichiariamo sotto la nostra personale responsabilità, che questo prodotto è in conformità a tutte le disposizioni pertinenti della presente direttive e norme armonizzate:
2006/42/EC, 2004/108/EC, 2011/65/EU, EN 60745-1, EN 60745-2-6, EN 55014-1, EN 55014-2, EN 61000-3-2, EN 61000-3-3.
Il fascicolo tecnico viene custodito presso la SPARKY ELTOS AD, 5500 Lovech, via Kubrat n. 9, Bulgaria.

ES

DECLARACIÓN DE CONFORMIDAD

Declaramos bajo nuestra exclusiva responsabilidad que este producto está conforme con todas las disposiciones aplicables de la presente directrices aplicables y las correspondientes normas armonizadas:
2006/42/EC, 2004/108/EC, 2011/65/EU, EN 60745-1, EN 60745-2-6, EN 55014-1, EN 55014-2, EN 61000-3-2, EN 61000-3-3.
El expediente técnico está archivado en SPARKY ELTOS SA, C/ Kubrat, 9, 5500 Lovech, Bulgaria.

PT

DECLARAÇÃO DE CONFORMIDADE

Declaramos assumindo a nossa responsabilidade pessoal que este produto está conforme com todas as disposições relevantes da presente directrizes aplicáveis e respectivos estandartes harmonizados:
2006/42/EC, 2004/108/EC, 2011/65/EU, EN 60745-1, EN 60745-2-6, EN 55014-1, EN 55014-2, EN 61000-3-2, EN 61000-3-3.
A documentação técnica guarda-se no SPARKY ELTOS AD, rua Kubrat 9, 5500 Lovech, Bulgária.

PL

DEKLARACJA ZGODNOŚCI

Niniejszym deklarujemy naszą osobistą odpowiedzialnością, że ten produkt spełnia wszystkie odpowiednie postanowienia następujących dyrektyw i harmonizowanych standardów:
2006/42/EC, 2004/108/EC, 2011/65/EU, EN 60745-1, EN 60745-2-6, EN 55014-1, EN 55014-2, EN 61000-3-2, EN 61000-3-3.
Teczka techniczna przechowywana jest w SPARKY ELTOS AG, Kubrat Str.9, 5500 Lovetch, Bulgaria.

RU

ДЕКЛАРАЦИЯ О СООТВЕТСТВИИ

Мы заявляем со всей ответственностью, что данный продукт полностью соответствует всем соответствующим требованиям действующих директив и гармонизированных стандартов:
2006/42/EC, 2004/108/EC, 2011/65/EU, EN 60745-1, EN 60745-2-6, EN 55014-1, EN 55014-2, EN 61000-3-2, EN 61000-3-3.
Техническое досье хранится в СПАРКИ ЕЛТОС АД, ул. Кубрат №9, 5500 Ловеч, Болгария.

UK

ДЕКЛАРАЦІЯ ПРО ВІДПОВІДНІСТЬ

Ми заявляємо під свою власну відповідальність, що даний продукт відповідає всім діючим вимогам директив і гармонізованих стандартів:
2006/42/EC, 2004/108/EC, 2011/65/EU, EN 60745-1, EN 60745-2-6, EN 55014-1, EN 55014-2, EN 61000-3-2, EN 61000-3-3.
Технічне досьє зберігається в СПАРКИ ЕЛТОС АД, ул. Кубрат № 9, 5500 Ловеч, Болгарія.

BG

ДЕКЛАРАЦИЯ ЗА СЪОТВЕТСТВИЕ

Ние декларираме на своя лична отговорност, че това изделие отговаря на всички приложими изисквания на следните директиви и хармонизирани стандарти:
2006/42/EC, 2004/108/EC, 2011/65/EU, EN 60745-1, EN 60745-2-6, EN 55014-1, EN 55014-2, EN 61000-3-2, EN 61000-3-3.
Техническото досие се съхранява в СПАРКИ ЕЛТОС АД, ул. Кубрат №9, 5500 Ловеч, България.

Manufacturer
SPARKY Power Tools GmbH
Leipziger Str. 20
10117 Berlin, GERMANY

Signature of authorized person

A. Ivanov
Technical director of SPARKY ELTOS AG

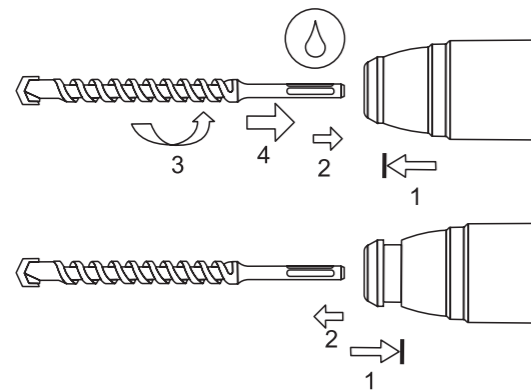
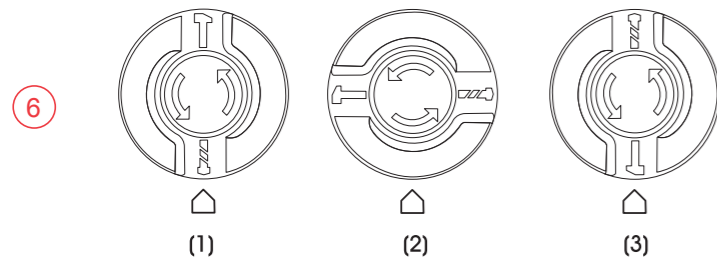
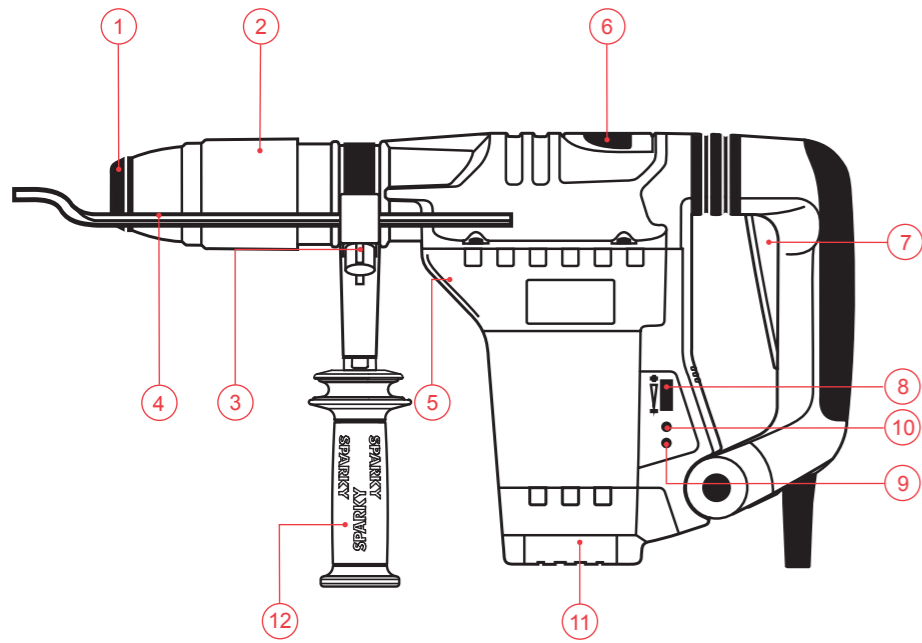
23 January 2013

142361V1

1305R01

© 2013 SPARKY

www.sparky.eu



Contents

Introduction	1
Technical specifications	3
General power tool safety warnings	4
Rotary hammer safety warnings	5
Know your product	A/6
Operation	6
Maintenance	9
Warranty	10

UNPACKING

Due to modern mass production techniques, it is unlikely that your power tool is faulty or that a part is missing. If you find anything wrong, do not operate the tool until the parts have been replaced or the fault has been rectified. Failure to do so could result in serious personal injury.

ASSEMBLY

The rotary hammer is packed fully assembled.

Introduction

Your new SPARKY power tool will more than satisfy your expectations. It has been manufactured under stringent SPARKY Quality Standards to meet superior performance criteria. You will find your new tool easy and safe to operate, and, with proper care, it will give you many years of dependable service.

WARNING:



Carefully read through these Original Instructions before using your new SPARKY power tool. Take special care to heed the Warnings. Your SPARKY power tool has many features that will make your job faster and easier. Safety, performance, and dependability have been given top priority in the development of this tool, making it easy to maintain and operate.



Do not dispose of electric tools together with household waste!

Waste electrical products should not be disposed of with household waste. Please recycle where facilities exist. Check with your local authority or retailer for recycling advice.

ENVIRONMENTAL PROTECTION



The machine, accessories and packaging should be sorted for environmental-friendly recycling.
The plastic components are labelled for categorised recycling.

DESCRIPTION OF SYMBOLS

The rating plate on your power tool may show symbols. These represent important information about the product or instructions on its use.



Double insulated for additional protection.



Conforms to the relevant European Directives.



Conforms to the requirements of Russian standards.



Conforms to the requirements of Ukrainian standards.




Refer to Original Instructions.

YYYY-Www Production period, where the variable symbols are:
YYYY- year of manufacture,
ww - calendar week number.

BP Rotary hammer.

Technical specifications

Model	BP 540CE
▪ Power input	1010 W
▪ No load speed	200-325/350 min ⁻¹
▪ Electronic speed pre-selection	Yes
▪ Constant electronics	Yes
▪ Reversing	No
▪ Protective clutch	Yes
▪ Max. impact rate	1900 – 3050/3300 min ⁻¹
▪ Impact energy (EPTA Procedure 05)	4 – 7.6/8.7 J
▪ Capacity in concrete:	
Twist drill bit	40 mm
Break through drill bit	55 mm
Core cutter	90 mm
▪ Chisel positions	24
▪ Tool holder	SDS-max
▪ Weight (EPTA Procedure 01/2003)	6.0 kg
▪ Protection class (EN 60745-1) 	II

NOISE AND VIBRATION INFORMATION

Measured values determined according to EN 60745.

• Noise emission	
A-weighted sound pressure level L_{pA}	95.0 dB (A)
Uncertainty K_{pA}	3.0 dB (A)
A-weighted sound power level L_{WA}	106.0 dB (A)
Uncertainty K_{WA}	3.0 dB (A)

Wear hearing protection!

• Vibration emission *	
Total vibration values (vector sum in the three axes) determined according to EN 60745:	
Hammer drilling in concrete	
Vibration emission value $a_{h,HD}$	13.5 m/s ²
Uncertainty K_{HD}	1.5 m/s ²
Chiselling	
Vibration emission value $a_{h,CHeg}$	11.5 m/s ²
Uncertainty K_{CHeg}	1.5 m/s ²

* The vibration emission values are determined according to 6.2.7 EN 60745.

The vibration emission level given in this information sheet has been measured in accordance with a standardised test given in EN 60745 and may be used to compare one tool with another. It may be used for a preliminary assessment of exposure.

The declared vibration emission level represents the main applications of the tool. However if the tool is used for different applications, with different accessories or poorly maintained, the vibration emission may differ. This may significantly increase the exposure level over the total working period.

An estimation of the level of exposure to vibration should also take into account the times when the tool is switched off or when it is running but not actually doing the job. This may significantly reduce the exposure level over the total working period.

Maintain the power tool and the accessories and keep your hands warm during operation to reduce the harmful effect of vibrations.

Dust from material such as paint containing lead, some wood species, minerals and metal may be harmful. Contact with or inhalation of the dust may cause allergic reactions and/or respiratory diseases to the operator or bystanders.

Certain kinds of dust are classified as carcinogenic such as oak and beech dust especially in conjunction with additives for wood conditioning (chromate, wood preservative). Material containing asbestos must only be treated by specialists.

- Where the use of a dust extraction device is possible it shall be used.
- To achieve a high level of dust collection, use vacuum cleaner for wood or for wood and/or minerals together with this tool.
- The work place must be well ventilated.
- The use of a dust mask of filter class P2 is recommended.

Follow national requirements for the materials you want to work with.

General power tool safety warnings



WARNING! Read all safety warnings and all instructions. Failure to follow the warnings and instructions may result in electric shock, fire and/or serious injury.

Save all warnings and instructions for future reference.

The term "power tool" in the warnings refers to your mains-operated (corded) power tool or battery-operated (cordless) power tool.

1) Work area safety

- Keep work area clean and well lit.** Cluttered or dark areas invite accidents.
- Do not operate power tools in explosive atmospheres, such as in the presence of flammable liquids, gases or dust.** Power tools create sparks which may ignite the dust or fumes.
- Keep children and bystanders away while operating a power tool.** Distractions can cause you to lose control.

2) Electrical safety

- Power tool plugs must match the outlet. Never modify the plug in any way. Do not use any adapter plugs with earthed (grounded) power tools.** Unmodified plugs and matching outlets will reduce risk of electric shock.
- Avoid body contact with earthed or grounded surfaces, such as pipes, radiators, ranges and refrigerators.** There is an increased risk of electric shock if your body is earthed or grounded.
- Do not expose power tools to rain or wet conditions.** Water entering a power tool will increase the risk of electric shock.
- Do not abuse the cord. Never use the cord for carrying, pulling or unplugging**

the power tool. Keep cord away from heat, oil, sharp edges or moving parts. Damaged or entangled cords increase the risk of electric shock.

- When operating a power tool outdoors, use an extension cord suitable for outdoor use.** Use of a cord suitable for outdoor use reduces the risk of electric shock.
- If operating a power tool in a damp location is unavoidable, use a residual current device (RCD) protected supply.** Use of an RCD reduces the risk of electric shock.

3) Personal safety

- Stay alert, watch what you are doing and use common sense when operating a power tool. Do not use a power tool while you are tired or under the influence of drugs, alcohol or medication.** A moment of inattention while operating power tools may result in serious personal injury.
- Use personal protective equipment. Always wear eye protection.** Protective equipment such as dust mask, non-skid safety shoes, hard hat, or hearing protection used for appropriate conditions will reduce personal injuries.
- Prevent unintentional starting. Ensure the switch is in the off-position before connecting to power source and/or battery pack, picking up or carrying the tool.** Carrying power tools with your finger on the switch or energising power tools that have the switch on invites accidents.
- Remove any adjusting key or wrench before turning the power tool on.** A wrench or a key left attached to a rotating part of the power tool may result in personal injury.
- Do not overreach. Keep proper footing and balance at all times.** This enables better control of the power tool in unexpected situations.
- Dress properly. Do not wear loose clothing or jewellery. Keep your hair, cloth-**

ing and gloves away from moving parts. Loose clothes, jewellery or long hair can be caught in moving parts.

- g) If devices are provided for the connection of dust extraction and collection facilities, ensure these are connected and properly used. Use of dust collection can reduce dust-related hazards.

4) Power tool use and care

- a) Do not force the power tool. Use the correct power tool for your application. The correct power tool will do the job better and safer at the rate for which it was designed.
- b) Do not use the power tool if the switch does not turn it on and off. Any power tool that cannot be controlled with the switch is dangerous and must be repaired.
- c) Disconnect the plug from the power source and/or the battery pack from the power tool before making any adjustments, changing accessories, or storing power tools. Such preventive safety measures reduce the risk of starting the power tool accidentally.
- d) Store idle power tools out of the reach of children and do not allow persons unfamiliar with the power tool or these instructions to operate the power tool. Power tools are dangerous in the hands of untrained users.
- e) Maintain power tools. Check for misalignment or binding of moving parts, breakage of parts and any other condition that may affect the power tool's operation. If damaged, have the power tool repaired before use. Many accidents are caused by poorly maintained power tools.
- f) Keep cutting tools sharp and clean. Properly maintained cutting tools with sharp cutting edges are less likely to bind and are easier to control.
- g) Use the power tool, accessories and tool bits etc. in accordance with these instructions, taking into account the working conditions and the work to be performed. Use of the power tool for operations different from those intended could result in a hazardous situation.
- #### 5) Service
- a) Have your power tool serviced by a qualified repair person using only identical replacement parts. This will ensure that the safety of the power tool is maintained.

Rotary hammer safety warnings



Wear ear protectors with rotary hammers. Exposure to noise can cause hearing loss.

- Use the auxiliary handle supplied with the machine. Loss of control can cause personal injury.



During operation provide eye protection to prevent eyes from exposure to flying particles. Wear goggles.



Take protective measures against inhalation of dust. Some materials can contain toxic ingredients. Wear a dust mask and work with dust/chip extraction when connectable.

- Hold the power tool by insulated gripping surfaces only, when performing an operation where the cutting accessory may contact hidden wiring or its own cord. Cutting accessory contacting a "live" wire may make exposed metal parts of the power tool "live" and could give the operator an electric shock.
- Do not process materials containing asbestos. Asbestos is considered carcinogenic.



WARNING: Before connecting a tool to a power source ensure that the voltage supply is the same as that specified on the nameplate of the tool.

- A power source with a voltage greater than that specified for the tool can result in serious injury to the user, as well as damage to the tool.
- If in doubt, do not plug in the tool.
- Using a power source with a voltage less than the nameplate rating is harmful to the motor.
- Fully unwind cable drum extensions to avoid potential overheating.
- When an extension cable is required, you must ensure that it has the right ampere rating for your power tool and it is in safe electrical condition.



WARNING: Always switch off and unplug the power tool prior to any adjustment, servicing or maintenance.

- While operating the machine, always hold it firmly with both hands and provide for a secure stance. The power tool is guided more securely with both hands.
- Prior to operation use suitable detectors to determine if utility lines are hidden in the work area or call the local utility company for assistance. Contact with electric lines can lead to fire and electric shock. Damaging a gas line can lead to explosion. Penetrating a water line causes property damage or may cause electric shock.
- Always keep the cord away from the working area of the power tool.
- Never use the machine with a damaged cable. Do not touch the damaged cable and pull the mains plug when the cable is damaged while operating. Damaged cables increase the risk of electric shock.
- Always be sure you have a firm footing. Be sure no one is below when using the tool in high locations.
- Use clamps or a vice to secure your work whenever possible.
- Watch out for the initial torque reaction of the machine or upon jamming the drill bit. Switch the power tool immediately upon jamming the drill bit. Watch out for high reactive torque which may result in kick-back. The drill bit will block if the power tool is overloaded or if the bit jams into the material.
- Do not touch the drill bit or the processed part during operation and immediately after that; they may be extremely hot. You may get serious burns.
- Keep work area clean. Blends of materials are particularly dangerous. Dust from light alloys can burn or explode.
- Rags, cloths, cord, string and the like should never be left around the work area.
- Always switch the machine off prior to leaving it down.
- The tool must be used only for its prescribed purpose. Any use other than those mentioned in this Manual will be considered a case of misuse. The user and not the manufacturer shall be liable for any damage or injury resulting from such cases of misuse.
- To use this tool properly, you must observe the safety regulations, the assembly instruc-

tions and the operating instructions found in this Manual. All persons who use and service the machine have to be acquainted with this Manual and must be informed about its potential hazards. Children and frail people must not use this tool. Children should be supervised at all times if they are in the area in which the tool is being used. It is also imperative that you observe the accident prevention regulations in force in your area. The same applies for general rules of occupational health and safety.

- The manufacturer shall not be liable for any changes made to the tool nor for any damage resulting from such changes.
- Power tools must not be used outdoors in rainy weather, or in moist environment (after rain) or in close vicinity with easily flammable liquids and gases. The working place should be well lit.

Know your product

Before using the power tool, familiarize yourself with all the operating features and safety requirements.

Use the tool and accessories only for the applications intended. All other applications are expressly ruled out.

1. Protective ring
2. Locking socket
3. Screw
4. Depth gauge
5. Ventilation slots
6. Operation mode selector
7. ON/OFF switch
8. Regulator of rotation frequency
9. Mode indicator
10. Indicator for brush wear-out and overload
11. Ventilation slots
12. Auxiliary handle

Operation

This power tool is supplied from single-phase alternating current mains only. It is double insulated according to EN 60745-1, IEC 60745 and can be connected to grounded or not grounded sockets. This power tool is radio suppressed in compliance with EMC Directive 2004/108/EC. This power tool is designed for impact drilling, breaking and chiselling in brickwork, concrete and rocks with high efficiency.



This power tool is equipped with a mechanism for reducing vibrations, decreasing them by more than 50%.

PRIOR TO INITIAL OPERATION

- Make sure the power supply voltage corresponds to the value indicated on the name plate with technical data of the tool.
- Always check the position of ON/OFF switch. The power tool must be connected to the power supply socket only when this switch is in OFF position. If the plug is connected to a receptacle while the power switch is in the ON position, the power tool will start operating immediately, which could cause a serious accident.

Application	Regulator position	Rotation speed	Impact rate	Single impact energy
Render / Light construction materials	A-B	200-225 min ⁻¹	1900-2100 min ⁻¹	4 J
Bricks / Chiselling tiles	C-D	250-275 min ⁻¹	2350-2600 min ⁻¹	6-7 J
Drilling in concrete	E-F	300-325 min ⁻¹	2850-3050 min ⁻¹	8-9 J
Chiselling concrete	G		3300 min ⁻¹	11 J

- Make sure that the cord and the plug are in order. If the replacement of the supply cord is necessary, this has to be done by the manufacturer or his agent in order to avoid a safety hazard.



WARNING: Always switch off and unplug the power tool prior to any adjustment, servicing or maintenance.

- In case the work area is remote from the power source, use as short as practicable extension cord with proper cross-section.
- Check that the auxiliary handle is properly mounted and reliably tightened.

SWITCHING ON - SWITCHING OFF

- Switching on: Push and hold down switch 7.
- Switching off: Release switch 7.

At low temperatures, demolishing with the power tool must begin only after it was operated for about 3 minutes at no-load mode.



WARNING: Upon overloading the machine with 30% the red light-emitting diode 10 will glow. The machine must not be operated continuously in this mode.

SELECTING THE SPEED, FREQUENCY AND IMPACT ENERGY

Rotate the regulator 8 to choose a position appropriate for the processed material. The constant electronics maintain the speed, the frequency and the impact energy constant, independently of the load, thus ensuring steady operation mode. It is recommended to use the operation modes listed in the table.

Rotate the regulator 8 from position A to position F to increase the speed, the frequency and the impact energy. The indicator 9 shall blink with green light.

To choose High Power mode, rotate the regulator 8 to position G. This mode is specified by increased impact energy up to 11 J. The indicator 9 shall glow with constant green light.



WARNING: Using HIGH POWER mode is recommended only when chiselling (hammer mode), and for brief operation in impact drilling mode. Continuous operation in impact drilling mode shall result in operator's quick fatigue and increased wear-out of the machine.

SELECTING THE OPERATION MODE

The switching of operation modes can be performed when the machine is not operating.

Rotate the operation mode switch 6 in the direction marked on the switch to the desired position to choose.

During each switching between operation modes

turn the tool slightly by hand left wise and right wise until it is locked.

- (1) Impact drilling – for drilling masonry, concrete, etc.
- (2) Changing the chisel position to fix the chisel in the desired angular position for demolition and chiselling (see “Changing the chisel position”).
- (3) Hammer mode – for chiselling and demolition.



WARNING: Turn the operation mode selector switch only in the direction marked on the switch.

INSERTING OF SDS-MAX TOOL

Clean and grease the shank of the accessory, before placing it into the socket!
Keep the locking socket 2 in upper (front) position while inserting the tool.
Place the tool into the spindle without effort. Rotate the tool until the grooves coincide.
After the grooves have coincided, push the tool down (until the fixing mechanism produces an audible “click”). Check the proper fixing of the tool by pulling it strongly outwards.



WARNING: For operating with chisels switch 6 shall always be in “hammer” position.

REMOVING THE SDS-MAX TOOL

Pull the locking clutch entirely back and take the tool out.

CHANGING THE CHISEL POSITION

- Insert the tool in the socket as it is described in point “Inserting the SDS-max tool”.
- Turn the operating mode switch 6 in position “Changing the chisel position”.
- Turn the tool by hand to the desired position.
- Turn the operating mode switch 6 in position “hammer”, and then turn the tool slightly by hand left wise and right wise until it is locked.

Longer operation life of the rotary hammer and higher efficiency can be achieved only with well-sharpened tools for demolition and chiselling.

AUXILIARY HANDLE

Always use the auxiliary handle.
Loosen the handle by turning it left wise. Turn the handle in the most convenient for operation position, and then tighten it well.

Do not carry the machine by a loose auxiliary handle.

You can fix the drilling depth through depth gauge 4. The depth gauge 4 can be fixed by screw 3.

The auxiliary handle for these models is connected to the body of the machine through vibration dampers, protecting the operator and reducing fatigue.

RECOMMENDATIONS FOR OPERATION

Apply moderate pressure during operation (approximately 100-150 N)! Higher pressure will not increase efficiency when drilling and chiselling, but it will lead to decreasing the operation life of the machine.

Take the drill bit out of the opening from time to time to remove dust.

Watch out for the stage of bit blunting and replace the bit when considerable decrease of efficiency is observed.

ACCESSORIES

- SDS-max twist drill bits for concrete Ø12 to Ø40 mm. We recommend operation with Ø24 to Ø32 drill bits, for the optimum operation the machine is designed for.
- SDS-max break through drill bits for concrete up to Ø55 mm
- SDS-max core cutters up to Ø90 mm
- SDS-max point chisels up to 600 mm long
- SDS-max flat chisels up to 80 mm wide
- SDS-max groove chisel up to 32 mm wide



WARNING: We recommend using these accessories or attachments when operating your power tool. The use of any other accessories or attachments might present a risk of injury. Only use accessory or attachment for its stated purpose. If you need any assistance for more details regarding these accessories, ask your local SPARKY service centre.

Maintenance



WARNING: Always ensure that the tool is switched off and unplugged before attempting to perform inspection or maintenance.

GENERAL INSPECTION

Regularly inspect all fasteners and ensure they are properly tightened. Should any of the screws be loose, retighten it immediately to avoid hazards.

If the replacement of the supply cord is necessary, this has to be done by the manufacturer or his agent in order to avoid a safety hazard.

CLEANING

For safe operation always keep the machine and its ventilation slots clean.

Regularly check to see if any dust or foreign matter has entered the ventilation slots and the grills around the switches. Use a soft brush and/or air jet to remove any accumulated dust. Wear safety glasses to protect your eyes whilst cleaning.

Exterior plastic parts may be cleaned with a damp cloth and mild detergent if necessary.



WARNING: Never use alcohol, petrol or other cleaning agent. Never use caustic agents to clean plastic parts.



WARNING: Water must never come into contact with the tool.

IMPORTANT! To assure product safety and reliability, repairs, maintenance and adjustment (including brush inspection and replacement) should be performed by certified service centres or other qualified service organisations, always using genuine replacement parts.

BUILT-IN DUST PROTECTION

The protective ring 1 preserves the tool socket from dirt during operation. While inserting the tool, take care that you do not damage the protective ring.



WARNING: Replace a damaged protective ring immediately!

To replace the protective ring 1, pull back the locking socket 2. Grasp the protective ring and pull it strongly slantwise forward. Place a new protective ring onto the spindle and press it hard.

INDICATION “SERVICE MAINTENANCE”

When the red light-emitting diode 10 begins to blink while the machine operates normally, replacement of the brushes is needed. After approximately 8h operation, the brushes are worn out completely and the safety switch actuates. The machine halts and the red light-emitting diode keeps blinking. Deliver the machine to an authorised service for replacement of brushes and preventive maintenance.

If the machine does not operate before the warning period of 8 hours is over, and the red light-emitting diode 10 blinks, that probably means the motor is damaged. In case there is no light indication and the machine does not operate, that means there is no power supply to the machine or that the automatic switch or the cord are faulty.

PREVENTIVE MAINTENANCE

This power tool shall be submitted periodically to SPARKY authorised service centre for preventive maintenance. Preventive checks will boost the life of your power tool.

First check - after approximately 70 h operation.

The functioning of the machine shall be evaluated and if necessary the machine shall be checked.

Second check - after approximately 140 h operation or upon the event of brushes wearing out.

The machine shall be cleaned thoroughly and checked. Ascertained or potential faults shall be eliminated (brushes and O-ring sealings shall be replaced).

Third check - after approximately 250 h operation or upon the event of brushes wearing out. The machine shall be cleaned thoroughly and checked. Ascertained or potential faults shall be eliminated (brushes and O-ring sealings shall be replaced).

Fourth check - after approximately 350 h operation or upon the event of brushes wearing out.

The machine shall be cleaned thoroughly and checked. Ascertained or potential faults shall be eliminated (brushes and O-ring sealing shall be replaced).

Warranty

The guarantee period for SPARKY power tools is determined in the guarantee card.

Faults due to normal wear, overloading or improper handling will be excluded from the guarantee.

Faults due to defective materials implemented as well as defects in workmanship will be corrected free of charge through replacement or repair.

The complaints for defective SPARKY power tools will be recognized if the machine is sent back to the dealer or is presented to the authorised warranty service centre undismantled, in its initial condition.

Notes

Carefully read through these Original Instructions before using this product..

The manufacturer reserves the right to make changes and improvements to the products and to alter specifications without prior notice.

Specifications may differ from country to country.

Inhalt

Einführung	11
Technische Daten	13
Allgemeine Sicherheitshinweise für Elektrowerkzeuge.....	14
Zusätzliche Sicherheitshinweise für Arbeiten mit Bohrhämmern	16
Elemente des Elektrowerkzeuges.....	A/17
Betriebshinweise	17
Wartung	20
Garantie	21

AUSPACKEN

Überprüfen Sie unmittelbar nach dem Auspacken ob sämtliche Bestandteile und das beschriebene Zubehör mitgeliefert wurden. Sollte dies nicht der Fall sein, wenden Sie sich bitte umgehend an Ihren Fachhändler bei dem das Elektrowerkzeug gekauft wurde. Dies trifft auch dann zu, wenn Sie den Eindruck haben mit dem Gerät ist etwas nicht in Ordnung. Eine Nichtbeachtung dieser Empfehlung kann zu schweren Unfällen führen.

ZUSAMMENBAU

Der Bohrhämmer wird in Verpackung und völlig zusammengebaut geliefert.

Einführung

Das von Ihnen erworbene Elektrowerkzeug wird Ihre Erwartungen übersteigen. Es ist gemäß den hohen Qualitätsstandards von SPARKY hergestellt, die den strengen Anforderungen des Verbrauchers entsprechen. Einfach in der Bedienung und ungefährlich bei richtiger Handhabung, wird dieses Gerät bei bestimmungsgemäßem Gebrauch Ihnen lange Jahre zuverlässig dienen.

WARNUNG!



Lesen Sie die ganze Originalbetriebsanleitung aufmerksam durch, bevor Sie das neu erworbene SPARKY - Elektrowerkzeug in Betrieb nehmen. Beachten Sie besonders die Texte, die mit den Wörtern „Warnung“ beginnen. Ihr SPARKY - Elektrowerkzeug besitzt viele Eigenschaften, die Ihre Arbeit erleichtern werden. Bei der Entwicklung dieses Elektrowerkzeuges ist höchste Aufmerksamkeit der Sicherheit, den Betriebseigenschaften und der Zuverlässigkeit gewidmet worden, die es einfach zur Wartung und Bedienung machen.



Keine elektrischen Geräte zusammen mit dem Hausmüll wegwerfen!

Die Abfälle von elektrischen Erzeugnissen sollen nicht zusammen mit dem Hausmüll gesammelt werden. Für eine umweltgerechte Entsorgung geben Sie Ihren alten / defekten Elektrogeräte bitte in der nächsten kommunalen Sammelstelle ab.

UMWELTSCHUTZ



Angesichts des Umweltschutzes sollen das Elektrowerkzeug, die Zubehörteile und die Verpackung einer geeigneten Wiederverwertung zugeführt werden.

Zum sortenreinen Recycling sind die Teile, hergestellt aus Kunststoffen, entsprechend gekennzeichnet.

BEDEUTUNG DER SYMBOLE

Auf dem Typenschild des Elektrowerkzeuges sind spezielle Symbole dargestellt. Sie stellen wichtige Information über das Produkt oder Instruktionen für seine Nutzung dar.



Doppelte Isolierung für zusätzlichen Schutz.



Entspricht den einschlägigen Europäischen Richtlinien.



Entspricht den Anforderungen der russischen normativen Dokumente.



Entspricht den Anforderungen der ukrainischen normativen Dokumenten.



Lesen Sie die Originalbetriebsanleitung.


YYYY-Www Zeitabschnitt der Produktion, wobei die variablen Symbole sind:

YYYY - Kalenderjahr der Produktion,

ww - laufende Kalenderwoche.

BP Bohrhammer.

Technische Daten

Modell	BP 540CE
▪ Nennaufnahme	1010 W
▪ Leerlaufdrehzahl	200-325/350 min ⁻¹
▪ Elektronische Drehzahlregelung	ja
▪ Konstantelektronik	ja
▪ Drehrichtungswechsel	nein
▪ Mechanische Sicherheitskupplung	ja
▪ Max. Schlagzahl	1900 – 3050/3300 min ⁻¹
▪ Einzelschlag-Energie (EPTA Verfahren 05)	4 – 7.6/8.7 J
▪ Max. Werkzeugdurchmesser in Beton:	
Wendelbohrer	40 mm
Durchbruchbohrer	55 mm
Hohlbohrkrone	90 mm
▪ Meißelpositionen	24
▪ Werkzeugaufnahme	SDS-max
▪ Gewicht (EPTA Verfahren 01/2003)	6.0 kg
▪ Schutzklasse (EN 60745-1) 	II

GERÄUSCH- /VIBRATIONSINFORMATION

Messwerte ermittelt entsprechend EN 60745.

▪ Geräuschemissionswerte

Der A-bewertete Schalldruckpegel L_{pA}	95.0 dB (A)
Unsicherheit K_{pA}	3.0 dB (A)
Der A-bewertete Schalleistungspegel L_{wA}	106.0 dB (A)
Unsicherheit K_{wA}	3.0 dB (A)

Gehörschutz tragen!

▪ Schwingungsemissionswerte *

Schwingungsgesamtwerte (Vektorsumme dreier Richtungen) ermittelt entsprechend EN 60745:

Hammerbohren in Beton	
Schwingungsemissionswert $a_{h,HD}$	13.5 m/s ²
Unsicherheit K_{HD}	1.5 m/s ²
Meißeln	
Schwingungsemissionswert $a_{h,ChEq}$	11.5 m/s ²
Unsicherheit K_{ChEq}	1.5 m/s ²

* Vibrationsmesswerte ermittelt nach P. 6.2.7 EN 60745.

Der in diesen Anweisungen angegebene Schwingungspegel ist entsprechend einem in EN 60745 genormten Messverfahren gemessen worden und kann für den Vergleich von Elektrowerkzeugen miteinander verwendet werden. Er eignet sich auch für eine vorläufige Einschätzung der Schwingungsbelastung.

Der angegebene Schwingungspegel repräsentiert die hauptsächlichen Anwendungen des Elektrowerkzeugs. Wenn allerdings das Elektrowerkzeug für andere Anwendungen, mit abweichenden Einsatzwerkzeugen oder ungenügender Wartung eingesetzt wird, kann der Schwingungspegel abweichen. Dies kann die Schwingungsbelastung über den gesamten Arbeitszeitraum deutlich erhöhen.

Für eine genaue Abschätzung der Schwingungsbelastung sollten auch die Zeiten berücksichtigt werden, in denen das Gerät abgeschaltet ist oder zwar läuft, aber nicht tatsächlich im Einsatz ist. Dies kann die Schwingungsbelastung über den gesamten Arbeitszeitraum deutlich reduzieren.

Pflegen Sie das Gerät und die Einsatzwerkzeuge mit Sorgfalt. Halten Sie Ihre Hände warm während der Arbeit – dies wird die schädliche Einwirkung erhöhter Schwingungen reduzieren.

Stäube von Materialien wie bleihaltigem Anstrich, einigen Holzarten, Mineralien und Metall können gesundheitsschädlich sein. Berühren oder Einatmen der Stäube können allergische Reaktionen und/oder Atemwegserkrankungen des Benutzers oder in der Nähe befindlicher Personen hervorrufen. Bestimmte Stäube wie Eichen- oder Buchenstaub gelten als krebserzeugend, besonders in Verbindung mit Zusatzstoffen zur Holzbehandlung (Chromat, Holzschutzmittel). Asbesthaltiges Material darf nur von Fachleuten bearbeitet werden.

- Benutzen Sie möglichst eine Staubabsaugung.
 - Um bei der Arbeit mit diesem Elektrowerkzeug ein gutes Staubabfangen zu gewährleisten, benutzen Sie einen Staubabsauger, der für Holzstaub oder für Holz- und mineralischen Staub bestimmt ist.
 - Sorgen Sie für gute Belüftung des Arbeitsplatzes.
 - Es wird empfohlen, eine Atemschutzmaske mit Filterklasse P2 zu tragen.
- Beachten Sie in Ihrem Land gültige Vorschriften für die zu bearbeitenden Materialien.

Allgemeine Sicherheitshinweise für Elektrowerkzeuge



WARNUNG: Lesen Sie alle Sicherheitshinweise und Anweisungen. Versäumnisse bei der Einhaltung der Sicherheitshinweise und Anweisungen können elektrischen Schlag, Brand und/oder schwere Verletzungen verursachen.

Bewahren Sie alle Sicherheitshinweise und Anweisungen für die Zukunft auf.

Der in den Sicherheitshinweisen verwendete Begriff „Elektrowerkzeug“ bezieht sich auf netzbetriebene Elektrowerkzeuge (mit Netzkabel) und auf akkubetriebene Elektrowerkzeuge (ohne Netzkabel).

1) Arbeitsplatzsicherheit

- a) Halten Sie Ihren Arbeitsbereich sauber und gut beleuchtet. Unordnung oder unbeleuchtete Arbeitsbereiche können zu Unfällen führen.
- b) Arbeiten Sie mit dem Elektrowerkzeug nicht in explosionsgefährdeter Umgebung, in der sich brennbare Flüssigkeiten, Gase oder Stäube befinden. Elektrowerkzeuge erzeugen Funken, die den Staub oder die Dämpfe entzünden können.
- c) Halten Sie Kinder und andere Personen während der Benutzung des Elektrowerkzeugs fern. Bei Ablenkung können Sie die Kontrolle über das Gerät verlieren.

2) Elektrische Sicherheit

- a) Der Anschlussstecker des Elektrowerkzeuges muss in die Steckdose passen. Der Stecker darf in keiner Weise ver-

ändert werden. Verwenden Sie keine Adapterstecker gemeinsam mit geschützten Elektrowerkzeugen. Unveränderte Stecker und passende Steckdosen verringern das Risiko eines elektrischen Schlages.

- b) Vermeiden Sie Körperkontakt mit geerdeten Oberflächen wie von Rohren, Heizungen, Herden und Kühlschränken. Es besteht ein erhöhtes Risiko durch elektrischen Schlag, wenn Ihr Körper geerdet ist.
- c) Halten Sie Elektrowerkzeuge von Regen oder Nässe fern. Das Eindringen von Wasser in ein Elektrowerkzeug erhöht das Risiko eines elektrischen Schlages.
- d) Zweckentfremden Sie das Kabel nicht, um das Elektrowerkzeug zu tragen, aufzuhängen oder um den Stecker aus der Steckdose zu ziehen. Halten Sie das Kabel fern von Hitze, Öl, scharfen Kanten oder sich bewegenden Geräteteilen. Beschädigte oder verwickelte Kabel erhöhen das Risiko eines elektrischen Schlages.
- e) Wenn Sie mit einem Elektrowerkzeug im Freien arbeiten, verwenden Sie nur Verlängerungskabel, die auch für den Außenbereich geeignet sind. Die Anwendung eines für den Außenbereich geeigneten Verlängerungskabels verringert das Risiko eines elektrischen Schlages.
- f) Wenn der Betrieb des Elektrowerkzeuges in feuchter Umgebung nicht vermeidbar ist, verwenden Sie einen Fehlerstromschutzschalter. Der Einsatz eines Fehlerstromschutzschalters vermindert das Risiko eines elektrischen Schlages.

3) Sicherheit von Personen

- a) Seien Sie aufmerksam, achten Sie darauf, was Sie tun, und gehen Sie mit Vernunft an die Arbeit mit einem Elekt-

rowerkzeug. Benutzen Sie kein Elektrowerkzeug, wenn Sie müde sind oder unter dem Einfluss von Drogen, Alkohol oder Medikamenten stehen. Ein Moment der Unachtsamkeit beim Gebrauch des Elektrowerkzeuges kann zu ernsthaften Verletzungen führen.

- b) **Tragen Sie persönliche Schutzausrüstung und immer eine Schutzbrille. Das Tragen persönlicher Schutzausrüstung, wie Staubmaske, rutschfeste Sicherheitsschuhe, Schutzhelm oder Gehörschutz, je nach Art und Einsatz des Elektrowerkzeuges, verringert das Risiko von Verletzungen.**
 - c) **Vermeiden Sie eine unbeabsichtigte Inbetriebnahme. Vergewissern Sie sich, dass das Elektrowerkzeug ausgeschaltet ist, bevor Sie es an die Stromversorgung und/oder den Akku anschließen, es aufnehmen oder tragen. Wenn Sie beim Tragen des Elektrowerkzeuges den Finger am Schalter haben oder das Gerät eingeschaltet an die Stromversorgung anschließen, kann dies zu Unfällen führen.**
 - d) **Entfernen Sie Einstellwerkzeuge oder Schraubenschlüssel, bevor Sie das Elektrowerkzeug einschalten. Ein Werkzeug oder Schlüssel, der sich in einem drehenden Geräteteil befindet, kann zu Verletzungen führen.**
 - e) **Vermeiden Sie eine abnormale Körperhaltung. Sorgen Sie für einen sicheren Stand und halten Sie jederzeit das Gleichgewicht. Dadurch können Sie das Elektrowerkzeug in unerwarteten Situationen besser kontrollieren.**
 - f) **Tragen Sie geeignete Kleidung. Tragen Sie keine weite Kleidung oder Schmuck. Halten Sie Haare, Kleidung und Handschuhe fern von sich bewegenden Teilen. Lockere Kleidung, Schmuck oder lange Haare können von sich bewegenden Teilen erfasst werden.**
 - g) **Wenn Staubabsaug- und -auffangeinrichtungen montiert werden können, vergewissern Sie sich, dass diese angeschlossen sind und richtig verwendet werden. Verwendung einer Staubabsaugung kann Gefährdungen durch Staub verringern.**
- 4) Verwendung und Behandlung des Elektrowerkzeuges**
- a) **Überlasten Sie das Gerät nicht. Verwenden Sie für Ihre Arbeit das dafür bestimmte Elektrowerkzeug. Mit dem passenden Elektrowerkzeug arbeiten Sie**

besser und sicherer im angegebenen Leistungsbereich.

- b) **Benutzen Sie kein Elektrowerkzeug, dessen Schalter defekt ist. Ein Elektrowerkzeug, das sich nicht mehr ein- oder ausschalten lässt, ist gefährlich und muss repariert werden.**
 - c) **Ziehen Sie den Stecker aus der Steckdose und/oder entfernen Sie den Akku, bevor Sie Geräteeinstellungen vornehmen, Zubehörteile wechseln oder das Gerät weglegen. Diese Vorsichtsmaßnahme verhindert den unbeabsichtigten Start des Elektrowerkzeuges.**
 - d) **Bewahren Sie unbenutzte Elektrowerkzeuge außerhalb der Reichweite von Kindern auf. Lassen Sie Personen das Gerät nicht benutzen, die mit diesem nicht vertraut sind oder diese Anweisungen nicht gelesen haben. Elektrowerkzeuge sind gefährlich, wenn Sie von unerfahrenen Personen benutzt werden.**
 - e) **Pflegen Sie Elektrowerkzeuge mit Sorgfalt. Kontrollieren Sie, ob bewegliche Teile einwandfrei funktionieren und nicht klemmen, ob Teile gebrochen oder so beschädigt sind, dass die Funktion des Elektrowerkzeuges beeinträchtigt ist. Lassen Sie beschädigte Teile vor dem Einsatz des Gerätes reparieren. Viele Unfälle haben ihre Ursache in schlecht gewarteten Elektrowerkzeugen.**
 - f) **Halten Sie Schneidwerkzeuge scharf und sauber. Sorgfältig gepflegte Schneidwerkzeuge mit scharfen Schneidkanten verklemmen sich weniger und sind leichter zu führen.**
 - g) **Verwenden Sie Elektrowerkzeug, Zubehör, Einsatzwerkzeuge usw. entsprechend diesen Anweisungen. Berücksichtigen Sie dabei die Arbeitsbedingungen und die auszuführende Tätigkeit. Der Gebrauch von Elektrowerkzeugen für andere als die vorgesehenen Anwendungen kann zu gefährlichen Situationen führen.**
- 5) Service**
- a) **Lassen Sie Ihr Elektrowerkzeug nur von qualifiziertem Fachpersonal und nur mit Original-Ersatzteilen reparieren. Damit wird sichergestellt, dass die Sicherheit des Elektrowerkzeuges erhalten bleibt.**

Zusätzliche Sicherheitshinweise für Arbeiten mit Bohrhämmern



Gehörschutz tragen. *Das intensive Geräusch während der Arbeit kann Gehörschäden verursachen.*

- **Beim Arbeiten immer den Zusatzhandgriff verwenden.** *Ein Kontrollverlust kann zu schweren körperlichen Verletzungen führen.*



Beim Arbeiten persönliche Schutzausrüstung und immer eine Schutzbrille tragen.



Bei stauberzeugenden Arbeiten, Unfallverhütungsvorschriften beachten! *Einige Materialien können Giftstoffe enthalten. Tragen Sie eine Staubmaske. Das Verwenden von Staubabsaug- und Auffangeinrichtungen verringert die Gefährdung durch Staub.*

- **Halten Sie das Gerät nur an den isolierten Griffflächen, wenn Sie Arbeiten ausführen, bei denen das Einsatzwerkzeug verborgene Stromleitungen oder das eigene Netzkabel treffen kann.** *Der Kontakt mit einer spannungsführenden Leitung kann auch metallene Geräteteile unter Spannung setzen und zu einem elektrischen Schlag führen.*
- Asbestenthaltende Materialien nicht bearbeiten. Asbest gilt als krebserregend.



WARNUNG: Netzspannung beachten! Vor Anschluss des elektrischen Geräts prüfen, ob die auf dem Typenschild angegebene Spannung der Netzspannung entspricht.

- Höhere Netzspannung als die auf dem Leistungsschild angegebene Spannung kann zu schweren Verletzungen von Personen und zu Schäden am Elektrowerkzeug führen.
- Sind Sie nicht sicher, stecken Sie nicht den Anschlussstecker des elektrischen Gerätes in die Steckdose ein.
- Netzspannung, die niedriger als die auf dem Leistungsschild angegebene Spannung ist, kann den Elektromotor beschädigen.
- Um eventuelle Überhitzung zu vermeiden, Verlängerungskabel immer von der Kabeltrommel abwickeln.
- Verwenden Sie nur Verlängerungskabel, die auch für das Elektrowerkzeug zugelassen sind. Kon-

trollieren Sie Verlängerungskabel regelmässig und ersetzen Sie sie, wenn sie beschädigt sind.



WARNUNG: Ziehen Sie den Stecker aus der Steckdose, bevor Sie Geräteeinstellungen oder Wartung vornehmen, Zubehörteile wechseln oder das Gerät weglegen.

- Beim Arbeiten halten Sie das elektrische Gerät mit beiden Händen fest. Sorgen Sie für einen sicheren Stand und halten Sie jederzeit das Gleichgewicht. Das Elektrowerkzeug wird sicher geführt, wenn man es mit beiden Händen festhält.
- Vorsicht vor verdeckt liegenden elektrischen Leitungen, Gas- und Wasserrohren! Beim Werkzeugkontakt mit verdeckt liegenden elektrischen Leitungen besteht das Risiko eines elektrischen Schlages. Die Beschädigung von Gasrohren kann zu einer Explosion führen. Das Durchbohren einer Wasserleitung kann zu Vermögensschaden oder Verletzungen durch elektrischen Schlag führen.
- Das Netzkabel ausserhalb des Arbeitsbereichs des Bohrhammers führen.
- Überzeugen Sie sich von der Unversehrtheit des Netzkabels und des Steckers. Ein beschädigtes Netzkabel nicht berühren und den Stecker aus der Steckdose ziehen, wenn das Kabel während der Arbeit beschädigt wird. Es besteht das sonst Risiko eines elektrischen Schlages.
- Sorgen Sie für einen sicheren Stand und halten Sie jederzeit das Gleichgewicht. Falls Sie mit dem Gerät auf einer Leiter arbeiten, überzeugen Sie sich, dass darunter niemand steht.
- Das zu bearbeitende Werkstück festspannen oder entsprechend sichern.
- Beim Arbeiten das Elektrowerkzeug immer fest mit beiden Händen halten. Bei Überlastung wird das Arbeitswerkzeug festklemmen. Klemmt das Arbeitswerkzeug fest, wird sein Antrieb von der integrierten mechanischen Sicherheitskupplung unterbrochen.
- Berühren Sie das Arbeitswerkzeug oder das bearbeitete Werkstück nicht gleich nach der Arbeit - es besteht die Gefahr vor Hautverbrennung.
- Halten Sie Ihren Arbeitsbereich sauber und aufgeräumt. Die Staubmischung von unterschiedlichen Materialien ist gefährlich. Der Staub von Leichtmetallen kann brennen und zu Explosion führen.
- Lassen Sie keine Laschen, Schnüre, Leitun-

gen oder Draht usw. im Arbeitsbereich.

- Schalten Sie die Maschine aus, bevor Sie sie weglegen.
- Verwenden Sie das elektrische Gerät entsprechend diesen Anweisungen und so, wie es für diesen speziellen Gerätetyp vorgeschrieben ist. Der Gebrauch von elektrischen Geräten für andere als die vorgesehenen Anwendungen kann zu gefährlichen Situationen führen. Die Verantwortung für jede Beschädigung oder Verletzung trägt in diesem Fall der Verbraucher und nicht der Hersteller.
- Um mit diesem elektrischen Gerät richtig umzugehen, müssen Sie die Sicherheitshinweise und die hier angegebenen allgemeinen Betriebsanleitungen berücksichtigen. Alle Anwender sind mit dieser Betriebsanleitung und den Sicherheitshinweisen bekanntzumachen. Bewahren Sie unbenutzte elektrische Geräte außerhalb der Reichweite von Kindern auf. Lassen Sie Personen das elektrische Gerät nicht benutzen, die mit diesem nicht vertraut sind oder diese Anweisungen nicht gelesen haben. Elektrische Geräte sind gefährlich, wenn sie von unerfahrenen Personen benutzt werden.
- Der Hersteller haftet nicht für jegliche eigenmächtige Veränderung am elektrischen Gerät und für die daraus folgenden Schäden.
- Arbeiten Sie mit dem elektrischen Gerät nicht im Freien und bei Regen, in explosionsgefährdeter Umgebung, in der sich brennbare Flüssigkeiten, Gase oder Staube befinden. Der Arbeitsplatz muss gut beleuchtet sein.

Elemente des Elektrowerkzeugs

Bevor Sie mit dem Elektrowerkzeug zu arbeiten beginnen, lernen Sie alle operative Besonderheiten und Sicherheitshinweise kennen. Verwenden Sie das elektrische Gerät nur bestimmungsgemäß und unter Beachtung der allgemeinen Sicherheits- und Unfallverhütungsvorschriften. Jede andere Verwendung ist ausdrücklich verboten

1. Staubschutzkappe
2. Verriegelungshülse
3. Schraube
4. Anschlaglineal
5. Lüftungsschlitze
6. Betriebsartenumschalter
7. Ein-Aus-Schalter
8. Drehzahlregler

9. Betriebsarten-Anzeige
10. Bürstenverschleiß- und Überlast-Anzeige
11. Lüftungsschlitze
12. Zusatzhandgriff

Betriebshinweise

Dieses elektrische Gerät wird nur mit Einphasenwechselspannung betrieben. Es ist doppelt isoliert gemäß EN 60745-1 und IEC 60745 und darf an Steckdosen ohne Schutzklemmen angeschlossen werden. Die Funkstörungen entsprechen der Richtlinie über die elektromagnetische Verträglichkeit 2004/108/EU.

Dieses Elektrowerkzeug ist zum hochproduktiven Schlagbohren und Meißeln in Mauerwerk, Beton und Gestein bestimmt.



Die integrierte Vibrationsdämpfung reduziert die auftretenden Vibrationen um mehr als 50%.

BEVOR SIE DAS GERÄT IN BETRIEB SETZEN

- Prüfen Sie, ob die auf dem Leistungsschild angegebene Spannung der Netzspannung entspricht.
- Prüfen Sie die Position des Tippschalters. Das elektrische Gerät darf an die Netzspannung nur bei ausgeschaltetem Tippschalter angeschlossen werden. Wenn Sie das Gerät bei eingeschaltetem Tippschalter an die Steckdose anschließen, besteht die Voraussetzung für einen Unfall.
- Stellen Sie sicher, dass die Anschlussleitung und der Gerätestecker in gutem Zustand sind. Kontrollieren Sie regelmäßig die Anschlussleitung des elektrischen Gerätes und lassen Sie sie bei Beschädigung von qualifiziertem Fachpersonal oder von einer autorisierten Vertrags-Kundendienstwerkstatt erneuern.



WARNUNG: Ziehen Sie den Stecker aus der Steckdose, bevor Sie Geräteeinstellungen und Wartung vornehmen, Zubehörteile wechseln oder das Gerät weglegen.

- Wenn der Arbeitsbereich von der Steckdose entfernt ist, verwenden Sie möglichst kürzere Verlängerungskabel. Nur für den Aussenbereich zugelassene und entsprechend gekennzeichnete Verlängerungskabel verwenden.
- Prüfen Sie, ob der Zusatzhandgriff gut montiert und festgezogen ist.

EIN- UND AUSSCHALTEN

- Einschalten: Schalter 7 drücken und gedrückt halten.
 - Ausschalten: Schalter 7 loslassen.
- Bei niedrigen Temperaturen kann der Meißelbetrieb erst nach ca. 3 Minuten Anlaufzeit beginnen.



WARNUNG: Bei einer 30%-Überlastung leuchtet die rote Anzeige 10 an. Das Elektrowerkzeug andauernd in diesem Betrieb nicht arbeiten lassen.

DREHZAHL-/SCHLAGZAHL- UND SCHLAGENERGIEVORWAHL

Durch Drehen des Drehzahlreglers 8 wird eine geeignete, materialgerechte Drehzahl, Schlagzahl und Schlagenergie gewählt. Die Konstantelektronik hält die Drehzahl, die Schlagzahl und die Schlagenergie konstant, unabhängig von der Belastung, was eine gleichmäßige Arbeitsleistung gewährleistet. Die Angaben in der Tabelle sind empfehlenswert.

Anwendungsbereich	Stellrad	Drehzahl	Schlagzahl	Einzel Schlagenergie
Putz / Leichtbaustoffe	A-B	200-225 min ⁻¹	1900-2100 min ⁻¹	4 J
Ziegelsteine/ Ablösen von Fliesen	C-D	250-275 min ⁻¹	2350-2600 min ⁻¹	6-7 J
Bohren in Beton	E-F	300-325 min ⁻¹	2850-3050 min ⁻¹	8-9 J
Meißeln in Beton	G		3300 min ⁻¹	11 J

Durch Drehen des Drehzahlreglers 8 von A bis F wird eine Erhöhung der Drehzahl, Schlagzahl und Schlagenergie erzielt. Die Überlast-Anzeige 9 leuchtet mit einem flackernden grünen Licht. Die Betriebsart HIGH POWER wird durch Drehen des Drehzahlreglers 8 in Position G gewählt. Diese Betriebsart zeichnet sich durch erhöhte Schlagenergie bis 11 J aus. Die Überlast-Anzeige 9 leuchtet ununterbrochen.



WARNUNG: Die Verwendung der HIGH POWER-Betriebsart wird nur beim Meißeln und bei kurzzeitiger Arbeit im Hammerbohren-Betrieb empfohlen. Das langzeitige Arbeiten im Hammerbohren-Betrieb führt zur schnellen Müdigkeit des Bedieners und zum erhöhten Verschleiß des Elektrowerkzeugs.

BETRIEBSARTENWAHL

Das Umschalten der Betriebsarten nur im Stillstand durchführen.

Den Betriebsartenumschalter 6 in die angezeigte Richtung zur gewünschten Stellung drehen. Nach jeder Umschaltung der Betriebsarten das Werkzeug mit der Hand leicht nach links und rechts drehen, bis es fixiert wird.

- (1) - Hammerbohren - zum Bohren in Mauerwerk, Beton und andere Werkstoffe.
- (2) - Meißelstellung verändern - zum Fixieren des Meißels in der gewünschten Stellung beim Meißeln (s. Abschnitt "Änderung der Meißelstellung").
- (3) - Meißeln - für Meißelarbeiten.



WARNUNG: Den Betriebsartenumschalter nur in die angezeigte Richtung drehen.

EINSETZEN EINES SDS-MAX –WERKZEUGS

Bevor das Werkzeug in die Aufnahme eingesetzt wird, soll der Werkzeugschaft gereinigt und geschmiert werden!

Beim Einsetzen des Werkzeugs die Verriegelungshülse 2 in der oberen (vorderen) Stellung halten.

Das Werkzeug in die Werkzeugaufnahme einführen und drehen bis die Nuten zusammenreffen.

Das Werkzeug nach unten drücken bis es einrastet (ein deutliches Klicken ist zu hören). Verriegelung durch kräftiges Ziehen am Werkzeug prüfen.



WARNUNG: Beim Meißeln soll der Betriebsartumschalter 6 stets in Stellung "Hammer" stehen.

ENTNEHMEN DES SDS-MAX - WERKZEUGS

Die Verriegelungshülse 2 voll nach hinten schieben und das Werkzeug entnehmen.

MEISSELSTELLUNG VERÄNDERN

- Das Werkzeug in die Aufnahme einsetzen wie im Abschnitt "Einsetzen des Werkzeugs" beschrieben.

- Betriebsartumschalter 6 in Position "Meißelstellung verändern" drehen.

- Werkzeug per Hand in die gewünschte Stellung drehen.

- Betriebsartumschalter 6 wieder in Position „Hammer“ bringen, dann das Werkzeug mit der Hand etwas nach links und rechts drehen, bis es verriegelt wird.

Nur scharfe Meißelwerkzeuge gewährleisten höhere Lebensdauer des Bohrhammers und gute Arbeitsleistungen.

ZUSATZHANDGRIFF

Gerät stets mit Zusatzhandgriff verwenden. Durch Linksdrehen Zusatzhandgriff lösen, in die gewünschte Position drehen und danach wieder fest anziehen.

Das Elektrowerkzeug nicht am Zusatzhandgriff tragen, wenn dieser aufgelockert ist. Mittels Anschlaglineal 4 ist die Bohrtiefe fixierbar. Mit Schraube 3 wird das Anschlaglineal 4 fixiert.

Der zusätzliche Handgriff bei diesen Modellen ist am Gehäuse der Maschine mittels vibrationsdämpfender Elemente befestigt, was den Benutzer schützt und eine Ermüdung bei der Arbeit reduziert.

ARBEITSEMPFEHLUNGEN

Beim Arbeiten einen mäßigen Druck (ca. 100 - 150N) anwenden! Starker Druck steigert die Bohr- und Meißelleistung nicht, führt aber zur Verkürzung der Lebensdauer des Elektrowerkzeugs.

Ab und zu das Werkzeug entnehmen, um den Staub zu entfernen

Die Abnutzung des Werkzeugs überprüfen und eventuell auswechseln, wenn eine Verminderung der Arbeitsleistung bemerkt wird.

ZUBEHÖR ZUM BENUTZEN MIT DIESEM ELEKTROWERKZEUG

- Wendelbohrer SDS-max mit Durchmesser von Ø12 bis Ø40 mm. Das Gerät ist für das Benutzen von Bohrern von Ø24 bis Ø32 mm optimiert.
- Durchbruchbohrer SDS-max mit Durchmesser bis Ø55 mm
- Bohrkronen SDS-max mit Durchmesser bis Ø90 mm
- Spitzmeißel SDS-max mit einer Länge bis 600 mm
- Flachmeißel SDS-max mit einer Breite bis 80 mm
- Kanalmeißel SDS-max mit einer Breite bis 32 mm



WARNUNG: Zum Benutzen mit diesem Elektrowerkzeug wird das obengenannte Zubehör empfohlen. Der Gebrauch von anderem Zubehör als das vorgesehene kann zu gefährlichen Situationen führen. Das Zubehör nur bestimmungsgemäss anwenden. Falls Sie zusätzliche Information über das Zubehör brauchen, wenden Sie sich bitte an eine autorisierte SPARKY-Kundendienstwerkstatt.

Wartung



WARNUNG: Ziehen Sie den Stecker aus der Steckdose, bevor Sie eine Inspektion oder Wartung vornehmen.

INSTANDHALTUNG

Prüfen Sie regelmäßig, ob alle Stützelemente fest angezogen sind. Falls eine Klemmschraube gelöst ist, unverzüglich anziehen, um Risiken zu vermeiden.

Wenn die Anschlussleitung beschädigt ist, muss sie von einer autorisierten Vertrags-Kundendienstwerkstatt ausgetauscht werden.

REINIGUNG

Pflegen Sie das elektrische Gerät und die Entlüftungöffnungen mit Sorgfalt.

Zur sicheren Arbeit das Elektrowerkzeug und die Lüftungsschlitze stets sauber halten. Immer nach dem Arbeiten die Lüftungsschlitze und die Werkzeugaufnahme reinigen. Verwenden Sie eine weiche Bürste, um Staub zu entfernen. Tragen Sie eine Schutzbrille während der Reinigung. Reinigen Sie den Gerätekörper mit einem weichen, feuchten Tuch und leichtem Spülmittel.



WARNUNG: Die Verwendung von Spiritus, Benzin oder anderen Lösmitteln ist nicht zugelassen. Verwenden Sie keine ätzenden Reinigungsmittel für die Kunststoffteile.



WARNUNG: Das Eindringen von Wasser in das Elektrogerät ist nicht ratsam.

ACHTUNG! Um den sicheren und zuverlässigen Betrieb des Elektrowerkzeuges sicherzustellen, lassen Sie alle Geräteeinstellungen, Reparatur- und Wartungstätigkeiten (einschließlich der Inspektion und Instandsetzung der Kohlebürsten) von einer autorisierten SPARKY Vertrags-Kundendienstwerkstatt durchführen.

INTERGRIERTER STAUBSCHUTZ

Die Staubschutzkappe 1 verhindert das Eindringen von Bohrstaub während des Betriebes. Beim Einsetzen des Werkzeugs darauf achten, dass die Staubschutzkappe 1 nicht beschädigt wird.



WARNUNG: Eine beschädigte Staubschutzkappe ist sofort auszutauschen!

Zum Auswechseln der Staubschutzkappe 1 die Verriegelungshülse 2 nach hinten schieben. Die Staubschutzkappe fassen und kräftig schräg nach vorn abziehen. Die neue Staubschutzkappe schräg auf die Spindel ansetzen und stark aufdrücken.

SERVICE-ANZEIGE

Wenn die Anzeige 10 zu flackern beginnt, und dabei das Elektrowerkzeug normal weiterarbeitet, ist Bürstenwechsel erforderlich. Nach ca. 8 Stunden Arbeit erfolgt ein totaler Bürstenverschleiß und der Ausschalter wird betätigt. Das Elektrowerkzeug schaltet selbsttätig ab, und die Anzeige flackert mit Rotlicht weiter. Zum Bürstenwechsel und zur Wartung das Elektrowerkzeug in eine autorisierte Kundendienstwerkstatt bringen.

Wenn das Elektrowerkzeug, bevor die Warnungszeit von 8 Stunden abgelaufen ist, nicht funktioniert und dabei die rote Anzeige 10 flackert, bedeutet dies, dass wahrscheinlich der Elektromotor beschädigt ist. Wenn es keine Lichtanzeige gibt und das Elektrowerkzeug nicht funktioniert, bedeutet dies, dass entweder Stromversorgung an das Gerät fehlt oder dass der Schalter oder die Kabelleitung beschädigt ist.

PROPHYLAXE

Die Maschine regelmäßig in einer befugten Kundendienstwerkstatt für SPARKY-Elektrowerkzeuge durchsehen lassen. Die prophylaktischen Durchsichten werden die Lebensdauer Ihres Elektrowerkzeugs verlängern.

Erste Durchsicht – nach ungefähr 70 Arbeitsstunden.

Die Funktionen der Maschine werden überprüft, wenn es notwendig ist, wird eine Durchsicht durchgeführt.

Zweite Durchsicht – nach ungefähr 140 Arbeitsstunden oder Abnutzen der Kohlebürsten. Das Elektrowerkzeug wird gründlich gesäubert, Durchsicht und Reparatur entstandener oder potenzieller Fehler (Auswechseln von Kohlebürsten und Dichtungsringen) werden vorgenommen.

Dritte Durchsicht – nach ungefähr 250 Arbeitsstunden oder Abnutzen der Kohlebürsten. Das Elektrowerkzeug wird gründlich gesäubert, Durchsicht und Reparatur entstandener oder potenzieller Fehler (Auswechseln von Kohlebürsten und Dichtungsringen) werden vorgenommen.

Vierte Durchsicht – nach ungefähr 350 Arbeitsstunden oder Abnutzen der Kohlebürsten. Das Elektrowerkzeug wird gründlich gesäubert, Durchsicht und Reparatur entstandener oder potenzieller Fehler (Auswechseln von Kohlebürsten und Dichtungsringen) werden vorgenommen.

Garantie

Die Garantiefrist der SPARKY-Elektrowerkzeuge wird im Garantieschein bestimmt.

Schäden, die auf natürliche Abnutzung, Überlastung oder unsachgemäße Handhabung zurückzuführen sind, bleiben von der Garantie ausgeschlossen.

Schäden, die durch Material- und/oder Herstellerfehler entstanden sind, werden unentgeltlich durch Ersatzlieferung oder Reparatur beseitigt. Beanstandungen bezüglich eines beschädigten SPARKY-Elektrowerkzeugs können nur anerkannt werden, wenn das Gerät unzerlegt (im ursprünglichen Zustand) dem Lieferanten oder der befugten Kundendienstwerkstatt vorgelegt wird.

Hinweise

Lesen Sie sorgfältig die ganze Betriebsanleitung bevor Sie beginnen, das Erzeugnis zu verwenden.

Der Hersteller behält sich das Recht vor, Verbesserungen und Änderungen in seinen Erzeugnissen einzuführen und die Spezifikationen ohne Voranmeldung zu ändern.

Die Spezifikationen können sich in den verschiedenen Ländern unterscheiden.

Sommaire

Introduction	22
Données techniques	24
Conditions générales de sécurité lors du travail avec les instruments électriques	25
Instructions supplémentaires de sécurité lors du travail avec des perforateurs	26
Description de l'appareil électrique	A/28
Instructions pour le travail	28
Entretien	31
Garantie	32

DEBALLAGE

Compte tenu des technologies généralement adoptées pour la production en grande série, il est peu probable que votre instrument électrique soit défectueux ou qu'il lui manque une pièce. Si toutefois vous remarquez que quelque chose ne va pas, n'utilisez pas l'instrument électrique avant le remplacement de la pièce défectueuse ou avant l'élimination du dysfonctionnement. Le non-respect de cette recommandation peut entraîner un grave accident.

MONTAGE

Le marteau perforateur est fourni dans son emballage, entièrement monté. que, etc.); une fois choisie, elle est montée sur la machine.

Introduction

Votre nouvel outil a été conçu et produit selon tous les standards de qualité pour répondre aux exigences les plus élevées. Son exploitation est facile et sécurisée. Et avec une utilisation correcte il vous servira longtemps.

AVERTISSEMENT!



Lire attentivement cette notice originale avant d'utiliser votre nouvel outil. Prêter attention aux sections «Avertissement». Votre outil électrique possède des caractéristiques qui facilitent votre travail.

Cet instrument a été conçu et produit selon toutes les exigences de sécurité pour que son usage et son entretien soient faciles.



Ne pas jeter les outils électroportatifs avec les ordures ménagères!

Les déchets provenant d'outils électroportatifs ne doivent pas être ramassés avec les ordures ménagères. Prière de recycler sur les lieux qui y sont spécialement destinés. Contacter les autorités locales ou un représentant pour des consultations concernant le recyclage.

RESPECT DE L'ENVIRONNEMENT



Récupération des matières premières plutôt qu'élimination des déchets. En vue à la protection de l'environnement, les appareils, comme d'ailleurs leurs accessoires et emballages, doivent pouvoir suivre chacun une voie de recyclage appropriée. Nos pièces en matières artificielles ont été marquées en vue d'un recyclage sélectif des différents matériaux.

LÉGENDE

L'outil électrique porte une plaque décrivant les signes spéciaux. Ils apportent une information importante quant au produit ou des instructions d'utilisation.



Double isolation pour une meilleure sécurité.



Conforme aux directives européennes applicables.



En conformité avec les exigences des standards Russes.



En conformité avec les exigences des standards ukrainiens.



Lisez la notice originale.

YYYY-Www

Période de production, où, les symboles variables sont les suivants :


YYYY - année de production,

ww – le numéro de la semaine du calendrier.

BP

Marteau perforateur.

Données techniques

Modèle	BP 540CE
▪ Puissance absorbée	1010 W
▪ Vitesse à vide	200-325/350 min ⁻¹
▪ Régulation électronique de la vitesse	oui
▪ Vitesse électronique constante	oui
▪ Inverseur du sens de rotation	non
▪ Embrayage de sécurité	oui
▪ Fréquence maximale de frappe	1900 – 3050/3300 min ⁻¹
▪ Puissance de frappe (EPTA procédure 05)	4 – 7.6/8.7 J
▪ Diamètre maximal de l'outil dans du béton:	
foret hélicoïdal	40 mm
foret hélicoïdal a multi-taillants	55 mm
couronne trépons	90 mm
▪ Positions du burin	24
▪ Fixation de l'outil	SDS-max
▪ Poids de l'outil (EPTA procédure 01/2003)	6.0 kg
▪ Classe de protection (EN 60745-1) 	II

INFORMATION CONCERNANT LE BRUIT ET LES VIBRATIONS

Valeurs mesurées conformément à EN 60745.

▪ Emission de bruit	
Le mesure réelle (A) de niveau de pression acoustique L _{pA}	95.0 dB (A)
Incertitude K _{pA}	3.0 dB (A)
Le mesure réelle (A) de niveau d'intensité acoustique L _{wA}	106.0 dB (A)
Incertitude K _{wA}	3.0 dB (A)

Porter une protection acoustique!

▪ Informations sur les vibrations *

Valeurs totales des vibrations (somme vectorielle de trois sens) établies conformément à EN 60745:

Perçage à percussion du béton	
Valeur d'émission vibratoire a _{h,HD}	13.5 m/s ²
Incertitude K _{HD}	1.5 m/s ²
Cassage	
Valeur d'émission vibratoire a _{h,CHeq}	11.5 m/s ²
Incertitude K _{CHeq}	1.5 m/s ²

* Vibrations déterminées conformément au point 6.2.7 de EN 60745.

L'amplitude d'accélération indiquée dans ces instructions d'utilisation a été mesurée suivant les méthodes de mesurage conformément à la norme EN 60745 et peut être utilisée pour une comparaison d'appareils. Le niveau de vibration peut être utilisé pour faire une estimation provisoire du degré d'influence vibratoire.

Le niveau de vibration annoncé concerne la fonction principale de l'outil. Dans des cas où l'outil est destinée à une autre utilisation ou avec d'autres accessoires, ou s'il est mal entretenu, le niveau de vibration peut s'écarter de celui qui a été indiqué. Si c'est le cas, le degré d'influence peut fortement augmenter au cours de l'utilisation.

Pour une estimation précise de l'influence vibratoire pendant un certain temps d'utilisation, il est recommandé de prendre aussi en considération les espaces de temps pendant lesquels l'appareil est éteint ou sous tension, mais pas vraiment utilisé. Ceci peut réduire considérablement l'influence vibratoire pendant toute la durée du travail.

Entretenez l'outil et ses accessoires en bon état. Gardez vos mains chaudes au cours de son utilisation - cela va diminuer les conséquences négatives lorsque vous travaillez à des hauts degrés de vibrations.

Les poussières de matériaux tels que peintures contenant du plomb, certains bois, minéraux ou métaux, peuvent être nuisibles à la santé. Toucher ou aspirer les poussières peut entraîner des réac-

tions allergiques et/ou des maladies respiratoires auprès de l'utilisateur ou de personnes se trouvant à proximité.

Certaines poussières telles que les poussières de chêne ou de hêtre sont considérées cancérigènes, surtout en connexion avec des additifs pour le traitement de bois (chromate, lazure). Les matériaux contenant de l'amiante ne doivent être travaillés que par des personnes qualifiées.

- Si possible, utilisez une aspiration des poussières.
 - Afin d'atteindre un haut degré d'aspiration de la poussière, lors du travail avec cet outil électroportatif utilisez un aspirateur spécialement adapté pour l'aspiration de poussière de bois ou pour l'aspiration de poussière de bois et/ou poussière de minéraux.
 - Veillez à bien aérer la zone de travail.
 - Il est recommandé de porter un masque respiratoire de la classe de filtre P2.
- Respectez les règlements en vigueur dans votre pays spécifiques aux matériaux à traiter.

Avertissements de sécurité généraux pour l'outil



AVERTISSEMENT! Lire tous les avertissements de sécurité et toutes les instructions. Ne pas suivre les avertissements et instructions peut donner lieu à un choc électrique, un incendie et/ou une blessure sérieuse.

Conserver tous les avertissements et toutes les instructions pour pouvoir s'y reporter ultérieurement.

Le terme «outil» dans les avertissements fait référence à votre outil électrique alimenté par le secteur (avec cordon d'alimentation) ou votre outil fonctionnant sur batterie (sans cordon d'alimentation).

1) Sécurité de la zone de travail

- a) **Conserver la zone de travail propre et bien éclairée.** Les zones en désordre ou sombres sont propices aux accidents.
- b) **Ne pas faire fonctionner les outils électriques en atmosphère explosive, par exemple en présence de liquides inflammables, de gaz ou de poussières.** Les outils électriques produisent des étincelles qui peuvent enflammer les poussières ou les fumées.
- c) **Maintenir les enfants et les personnes présentes à l'écart pendant l'utilisation de l'outil.** Les distractions peuvent vous faire perdre le contrôle de l'outil.

2) Sécurité électrique

- a) **Il faut que les fiches de l'outil électrique soient adaptées au socle. Ne jamais modifier la fiche de quelque façon que ce**

soit. Ne pas utiliser d'adaptateurs avec des outils à branchement de terre. Des fiches non modifiées et des socles adaptés réduiront le risque de choc électrique.

- b) **Eviter tout contact du corps avec des surfaces reliées à la terre telles que les tuyaux, les radiateurs, les cuisinières et les réfrigérateurs.** Il existe un risque accru de choc électrique si votre corps est relié à la terre.
- c) **Ne pas exposer les outils à la pluie ou à des conditions humides.** La pénétration d'eau à l'intérieur d'un outil augmentera le risque de choc électrique.
- d) **Ne pas maltraiter le cordon. Ne jamais utiliser le cordon pour porter, tirer ou débrancher l'outil. Maintenir le cordon à l'écart de la chaleur, du lubrifiant, des arêtes ou des parties en mouvement.** Des cordons endommagés ou emmêlés augmentent le risque de choc électrique.
- e) **Lorsqu'on utilise un outil à l'extérieur, utiliser un prolongateur adapté à l'utilisation extérieure.** L'utilisation d'un cordon adapté à l'utilisation extérieure réduit le risque de choc électrique.
- f) **Si l'usage d'un outil dans un emplacement humide est inévitable, utiliser une alimentation protégée par un dispositif à courant différentiel résiduel (RCD).** L'usage d'un RCD réduit le risque de choc électrique.

3) Sécurité des personnes

- a) **Rester vigilant, regarder ce que vous êtes en train de faire et faire preuve de bon sens dans votre utilisation de l'outil. Ne pas utiliser un outil lorsque vous êtes fatigué ou sous l'emprise de drogues, d'alcool ou de médicaments.** Un moment d'inattention en cours d'utilisation d'un outil peut entraîner des blessures graves des personnes.

- b) **Utiliser un équipement de sécurité.** Toujours porter une protection pour les yeux. *Les équipements de sécurité tels que les masques contre les poussières, les chaussures de sécurité antidérapantes, les casques ou les protections acoustiques utilisés pour les conditions appropriées réduiront les blessures de personnes.*
- c) **Éviter tout démarrage intempestif.** S'assurer que l'interrupteur est en position arrêt avant de brancher l'outil au secteur et/ou au bloc de batteries, de le ramasser ou de le porter. *Porter les outils en ayant le doigt sur l'interrupteur ou brancher des outils dont l'interrupteur est en position marche est source d'accidents.*
- d) **Retirer toute clé de réglage avant de mettre l'outil en marche.** *Une clé laissée fixée sur une partie tournante de l'outil peut donner lieu à des blessures de personnes.*
- e) **Ne pas se précipiter.** Garder une position et un équilibre adaptés à tout moment. *Cela permet un meilleur contrôle de l'outil dans des situations inattendues.*
- f) **S'habiller de manière adaptée.** Ne pas porter de vêtements amples ou de bijoux. Garder les cheveux, les vêtements et les gants à distance des parties en mouvement. *Des vêtements amples, des bijoux ou les cheveux longs peuvent être pris dans des parties en mouvement.*
- g) **Si des dispositifs sont fournis pour le raccordement d'équipements pour l'extraction et la récupération des poussières, s'assurer qu'ils sont connectés et correctement utilisés.** *Utiliser des collecteurs de poussière peut réduire les risques dus aux poussières.*
- 4) Utilisation et entretien de l'outil**
- a) **Ne pas forcer l'outil.** Utiliser l'outil adapté à votre application. *L'outil adapté réalisera mieux le travail et de manière plus sûre au régime pour lequel il a été construit.*
- b) **Ne pas utiliser l'outil si l'interrupteur ne permet pas de passer de l'état de marche à arrêt et vice versa.** *Tout outil qui ne peut pas être commandé par l'interrupteur est dangereux et il faut le réparer.*
- c) **Débrancher la fiche de la source d'alimentation en courant et/ou le bloc de batteries de l'outil avant tout réglage, changement d'accessoires ou avant de ranger l'outil.** *De telles mesures de sécurité préventives réduisent le risque de démarrage accidentel de l'outil.*
- d) **Conserver les outils à l'arrêt hors de la portée des enfants et ne pas permettre à des personnes ne connaissant pas l'outil ou les présentes instructions de le faire fonctionner.** *Les outils sont dangereux entre les mains d'utilisateurs novices.*
- e) **Observer la maintenance de l'outil.** Vérifier qu'il n'y a pas de mauvais alignement ou de blocage des parties mobiles, des pièces cassées ou toute autre condition pouvant affecter le fonctionnement de l'outil. En cas de dommages, faire réparer l'outil avant de l'utiliser. *De nombreux accidents sont dus à des outils mal entretenus.*
- f) **Garder affûtés et propres les outils permettant de couper.** *Des outils destinés à couper correctement entretenus avec des pièces coupantes tranchantes sont moins susceptibles de bloquer et sont plus faciles à contrôler.*
- g) **Utiliser l'outil, les accessoires et les lames etc., conformément à ces instructions, en tenant compte des conditions de travail et du travail à réaliser.** *L'utilisation de l'outil pour des opérations différentes de celles prévues pourrait donner lieu à des situations dangereuses.*
- 5) Maintenance et entretien**
- a) **Faire entretenir l'outil par un réparateur qualifié utilisant uniquement des pièces de rechange identiques.** *Cela assurera que la sécurité de l'outil est maintenue.*

Instructions supplémentaires de sécurité lors du travail avec des marteaux perforateurs



Portez des protecteurs auditifs lors d'un travail prolongé. *Le bruit intensif émis lors du travail peut entraîner des troubles de l'audition.*

- **Utilisez toujours la poignée auxiliaire fournie avec l'appareil.** *La perte de contrôle peut entraîner un accident du travail.*



Pendant le travail, utilisez des dispositifs pour la protection des yeux contre les fragments volants. *Portez des lunettes de protection.*



Prenez des mesures qui vous éviteront l'inhalation de poussières. Certains matériaux peuvent contenir des composants toxiques. Portez donc un masque protégeant de la poussière. Utilisez un dispositif pour l'élimination de la poussière s'il est possible de raccorder celui-ci à l'instrument électrique.

- **Tenir l'outil uniquement par les surfaces de préhension isolantes, pendant les opérations au cours desquelles l'accessoire coupant peut être en contact avec des conducteurs cachés ou avec son propre câble.** Le contact de l'accessoire coupant avec un fil „sous tension” peut également mettre „sous tension” les parties métalliques exposées de l'outil électrique et provoquer un choc électrique sur l'opérateur.
- Ne traitez pas les matériaux qui contiennent de l'amiante. L'amiante est considérée comme une matière cancérogène.



AVERTISSEMENT: Avant de brancher l'outil électrique dans le réseau d'alimentation électrique, assurez-vous que la tension de celui-ci est bien celle indiquée sur la plaquette contenant les caractéristiques techniques de l'outil.

- Une source de courant à tension plus élevée que celle indiquée pour l'appareil peut causer à l'opérateur de sérieux dommages dus au courant électrique et en outre endommager l'outil.
- Si vous avez des hésitations à ce sujet, ne branchez pas l'appareil au réseau électrique.
- L'utilisation d'une source d'alimentation à tension plus basse que celle indiquée sur la plaquette de l'appareil électrique endommagera le moteur électrique.
- Afin d'éviter une éventuelle surchauffe, déroulez toujours jusqu'au bout le câble de rallonge à dérouleur.
- Lorsqu'il est nécessaire d'utiliser une rallonge, assurez-vous que la section du câble est conforme à la force du courant consommé par l'appareil électrique utilisé et que la rallonge est en parfait état.



AVERTISSEMENT: Arrêtez toujours l'appareil électrique et débranchez-le du réseau avant d'effectuer sur celui-ci tout réglage et opération de service ou d'entretien.

- Pendant le travail, serrez toujours solidement l'appareil avec les deux mains et tenez votre corps en position stable. L'appareil est guidé d'une manière plus sécurisée lorsqu'on le tient des deux mains.
- Avant le début des travaux, vérifiez à l'aide d'un détecteur de métaux approprié s'il n'y a pas un réseau électrique, une conduite de gaz ou une conduite d'eau invisibles de l'extérieur ou adressez-vous à ce sujet aux services locaux respectifs. Le contact du foret avec une installation électrique invisible peut entraîner l'électrocution. Un dommage apporté à une conduite de gaz peut entraîner une explosion. En perçant une conduite d'eau, on peut endommager la propriété ou subir une électrocution.
- Tenez le câble d'alimentation électrique de l'appareil à l'écart de l'aire de travail de celui-ci.
- N'utilisez pas l'appareil électrique lorsque son câble est endommagé. Ne touchez pas le câble endommagé et débranchez la fiche de la prise si le câble vient à subir un dommage dans le courant du travail. Les câbles endommagés augmentent le risque d'électrocution.
- Gardez toujours votre corps dans un équilibre stable. Lorsque vous travaillez avec l'appareil à un endroit élevé, assurez-vous qu'au-dessous de vous il n'y a personne.
- Fixez la pièce traitée à l'aide d'un étau ou d'une autre manière convenable.
- Faites attention au couple d'idertie lors de la mise en marche de l'appareil ou si le foret vient à se coincer dans la pièce traitée. Arrêtez immédiatement l'appareil si le foret vient à se coincer. Soyez attentif, car un couple d'idertie élevé peut provoquer une force de rappel. Le foret risque de bloquer si vous surchargez l'appareil ou si le foret se coince dans la pièce traitée.
- Ne touchez pas le foret ou la pièce traitée immédiatement après la fin du travail. Ils peuvent être très chauds et vous risquez de vous brûler.
- Entretenez propre le lieu de travail. Le mélange de poussières de différents matériaux est extrêmement dangereux. Les poussières de métaux légers peuvent brûler ou provoquer une explosion.
- Ne laissez jamais traîner à proximité du lieu de travail des chiffons, des fils électriques ou des fils de fer.
- Débranchez toujours l'appareil avant de le mettre de côté.
- L'appareil doit être utilisé uniquement pour les travaux pour lesquels il a été prévu. Toute

autre utilisation, différente que celle décrite dans la présente instruction, doit être considérée comme abusive. Le producteur décline toute responsabilité en cas de dommage ou de blessure causée par une utilisation abusive, cette responsabilité étant alors entièrement assumée par l'utilisateur.

- Afin de utiliser l'appareil correctement, vous devez respecter les règles de sécurité, les consignes générales et celles concernant l'exploitation qui figurent dans le présent document. Tous les utilisateurs doivent avoir pris connaissance de cette instruction d'utilisation et être informés sur les risques potentiels lors du travail avec l'appareil électrique. Les enfants et les personnes ne possédant pas la force physique nécessaire ne doivent pas utiliser l'appareil. Les enfants se trouvant dans la zone de travail doivent être sous une surveillance incessante. Il est indispensable que vous preniez également des mesures de sécurité préalables. Ceci est également valable pour les principales consignes concernant la salubrité et la sécurité du travail.
- Le producteur décline toute responsabilité en cas de modifications apportées à l'appareil électrique ou de dommages provoqués par ces modifications.
- L'appareil électrique ne doit pas être utilisé à l'extérieur lorsqu'il pleut, dans un milieu humide (après la pluie) ou à proximité de liquides et de gaz facilement inflammables. Le lieu de travail doit être bien éclairé.

Présentation de l'appareil électrique

Avant de commencer le travail avec l'appareil électrique, prenez connaissance des particularités de son fonctionnement et des conditions de sécurité à respecter.

L'appareil et ses accessoires doivent être utilisés uniquement pour les travaux pour lesquels ils ont été prévus. Toute autre utilisation est strictement interdite.

1. Collier de sûreté
2. Douille de verrouillage
3. Vis
4. Butée de profondeur
5. Ouies de ventilation
6. Sélecteur de changement des régimes d'opération

7. Interrupteur
8. Régulateur de la vitesse de rotation
9. Indicateur des régimes
10. Indicateur d'usure des balais et de surcharge
11. Ouies de ventilation
12. Poignée auxiliaire

Instructions pour le travail

Cet appareil électrique est alimenté uniquement par un courant alternatif monophasé. Il possède une double isolation, conformément à EN 60745-1 et IEC 60745 et peut être branché à des prises qui ne possèdent pas de bornes de protection. Les brouillages radiophoniques sont conformes à la Directive de conformité électromagnétique 2004/108/EC.

L'outil électroportatif peut être utilisé pour le perçage à percussion, la démolition et le démantèlement dans des enduits, du béton et des rochers, à une haute productivité.



L'appareil est doté d'un mécanisme d'amortissement des vibrations qui amortit celles-ci de plus de 50%.

AVANT LE DEBUT DU TRAVAIL

- Assurez-vous que la tension du secteur correspond à celle indiquée sur la plaquette contenant les données techniques de l'instrument.
- Vérifiez la position de l'interrupteur. L'appareil doit être toujours branché et débranché du secteur interrupteur on position OFF. Si vous branchez l'appareil au secteur lorsque son interrupteur est en position de marche, l'appareil se mettra immédiatement à fonctionner, ce qui crée un danger d'accident.
- Assurez-vous que le câble d'alimentation électrique et sa fiche sont en parfait état. Si le câble d'alimentation est endommagé, il doit être remplacé par le producteur ou un spécialiste agréé par celui-ci afin d'éviter les éventuels risques liés à son remplacement.



AVERTISSEMENT: Arrêtez toujours l'appareil et débranchez-le du réseau avant d'effectuer sur celui-ci tout réglage et opération de service ou d'entretien..

- Si la zone de travail est éloignée de la prise de courant, utilisez une rallonge aussi courte

que possible, à section du câble appropriée.

- Vérifiez si la poignée auxiliaire est correctement montée et bien serrée.

MARCHE - ARRÊT

- Marche: Presser et maintenir l'interrupteur 7.
- Arrêt: Relâcher l'interrupteur 7.

En cas de températures baissées, le démantèlement par l'outil électroportatif ne doit commencer qu'après 3 minutes de fonctionnement à vide.



AVERTISSEMENT: Lors d'une surcharge de l'appareil au-dessus de 30 %, la diode lumineuse rouge 10 s'allume. Éviter le travail prolongé avec l'appareil dans ce régime.

SÉLECTION DE LA VITESSE, DE LA FRÉQUENCE ET DE LA PUISSANCE DE FRAPPE

En tournant le régulateur 8, la vitesse, la fréquence et la puissance de frappe appropriées sont sélectionnées en fonction du matériau travaillé. Le stabilisateur électronique maintient des valeurs constantes pour la vitesse, la fréquence et la puissance de frappe, indépendamment de la charge, ce qui assure un régime de travail optimal. Il est recommandé d'utiliser les régimes de travail cités dans le tableau ci-dessous.

Champs d'application	Position du régulateur	Vitesse de rotation	Fréquence de frappe	Puissance de frappe
Enduit / Matériaux de construction légers	A-B	200-225 min ⁻¹	1900-2100 min ⁻¹	4 J
Briques / Arrachement de carreaux	C-D	250-275 min ⁻¹	2350-2600 min ⁻¹	6-7 J
Perçage dans le béton	E-F	300-325 min ⁻¹	2850-3050 min ⁻¹	8-9 J
Burinage dans le béton	G		3300 min ⁻¹	11 J

Si le régulateur 8 est tourné à partir de la position A jusqu'à F, la vitesse, la fréquence et la puissance de frappe. Le voyant 9 s'allume en vert et clignote.

Le régime GRANDE PUISSANCE (High Power) est sélectionné en tournant le régulateur 8 vers la position G. Le régime est caractérisé par une puissance de frappe élevée jusqu'à 11 J. Le voyant 9 s'allume en vert et reste constamment allumé.



AVERTISSEMENT: L'usage du régime GRANDE PUISSANCE (High Power) n'est recommandé que lors du démantèlement et pour un travail non prolongé dans le régime de perçage à percussion. Le travail prolongé dans le régime de perçage à percussion amène rapidement à la fatigue de l'opérateur et à une usure élevée de l'outil électroportatif.

SÉLECTION DU RÉGIME DE TRAVAIL

N'effectuer le changement des régimes de travail que lorsque l'outil est hors opération.

Tourner le sélecteur des régimes d'opération dans le sens marqué sur celui-ci jusqu'à la position souhaitée.

Après chaque passage des régimes du travail tourner le mandrin à la main à gauche et à droite afin de fixer les transmissions.

(1) - Perçage à percussion - pour le perçage d'ouvertures dans des enduits, du béton ou dans d'autres matériaux.

(2) - Changement de la position du burin - pour la fixation de l'instrument dans la position angulaire souhaitée lors du démantèlement et de l'excavation de rainures (Voir paragraphe "Changement de la position du burin").

(3) - Marteau - pour le démantèlement et l'excavation de rainures.



AVERTISSEMENT: Ne tourner le sélecteur des régimes d'opération que dans le sens marqué sur celui-ci.

INSTALLATION D'UN INSTRUMENT SDS-MAX

Nettoyer et graisser la queue de l'instrument avant son installation dans la douille!

Lors de l'installation de l'instrument, maintenir la douille de verrouillage 2 en position supérieure (antérieure). Placer librement l'instrument dans l'arbre. Tourner l'instrument à l'intérieur de l'arbre jusqu'à la coïncidence des rainures. Après coïncidence des rainures, introduire l'instrument vers le bas jusqu'à la butée (jusqu'au dé clic du mécanisme de fixation). S'assurer que l'instrument est bien fixé, en le tirant fortement vers l'extérieur.



AVERTISSEMENT: Lors du travail avec le burin, le sélecteur 6 doit toujours être mis dans la position "marteau".

RETRAIT D'UN INSTRUMENT SDS-MAX

Retirer la douille de verrouillage 2 totalement en arrière et retirer l'instrument.

CHANGEMENT DE LA POSITION DU BURIN

- Placer l'instrument dans la douille selon les indications citées au paragraphe "Installation d'un instrument SDS-max".

- Tourner le sélecteur des régimes de travail 6 dans la position "Changement de la position du burin".

- Tourner l'instrument à la main jusqu'à la position souhaitée.

- Mettre l'interrupteur des régimes du travail 6 en position "percussion (marteau)", puis tourner le mandrin à la main à gauche et à droite afin de fixer le loquet.

Une plus longue durabilité de la perceuse et une haute productivité ne peuvent être obtenues qu'avec des instruments de démantèlement et d'excavation bien affûtés.

POIGNÉE AUXILIAIRE

Toujours se servir de la poignée auxiliaire. Desserrer la poignée, en la tournant vers la gauche. Tourner la poignée dans la position la plus confortable pour le travail, bien la serrer ensuite.

Ne pas porter l'outil par la poignée auxiliaire, lorsque cette dernière est desserrée.

La profondeur des ouvertures percées peut être réglée par la butée de profondeur 4. Fixer la butée de profondeur 4 par la vis 3.

La poignée auxiliaire de ces modèles est reliée au boîtier de la machine moyennant des dispositifs qui amortissent les vibrations, ce qui pro-

tège l'opérateur et réduit sa fatigue engendrée par le travail.

RECOMMANDATIONS POUR LE TRAVAIL

Appliquez une pression modérée lors du perçage du béton (de l'ordre de 100 - 150N). La forte pression n'assure pas une augmentation de la productivité lors du perçage, mais conduit à une usure prématurée de la machine.

Il faut de temps en temps extraire le foret de l'orifice qu'on perce afin d'en éliminer les poussières.

Il faut veiller au degré d'usure du foret et celui-ci doit être remplacé lorsqu'on détecte une diminution considérable de la productivité.

ACCESSOIRES POUVANT ETRE UTILISES AVEC CET OUTIL ELECTRIQUE

- Forets hélicoïdaux pour le béton SDS-max d'un diamètre de Ø12 à Ø40 mm. Il est recommandé l'usage avec des forets de Ø24 à Ø32 mm, pour le travail avec lesquels l'outil électroportatif est optimisé.
- Forets hélicoïdaux à multi-taillants pour le béton SDS-max d'un diamètre jusqu'à Ø55 mm
- Couronnes trépan SDS-max d'un diamètre jusqu'à Ø90 mm
- Poinçons SDS-max d'une longueur jusqu'à 600 mm
- Burins SDS-max d'une largeur jusqu'à 80 mm
- Trépan pour rainures SDS-max d'une largeur jusqu'à 32 mm



AVERTISSEMENT: Pour le travail avec cet appareil, il est recommandé d'utiliser les accessoires ou dispositifs mentionnés ci-dessus. L'utilisation d'accessoires ou de dispositifs autres que ceux qui sont recommandés crée des conditions pouvant conduire à un accident du travail. Utilisez les accessoires ou les dispositifs uniquement comme prévu. Pour toute information supplémentaire concernant ces accessoires, adressez-vous à l'atelier local de SPARKY.

Entretien



AVERTISSEMENT: Arrêtez toujours l'appareil électrique et débranchez sa fiche de la prise de courant avant toute opération de vérification ou d'entretien.

EXAMEN GENERAL

Vérifiez régulièrement tous les éléments de fixation et assurez-vous qu'ils sont solidement serrés. Si quelque vis s'est desserrée, resserrez-la immédiatement afin d'éviter tout risque.

Si le câble d'alimentation est endommagé, son remplacement doit être effectué par le constructeur ou par un spécialiste agréé par celui-ci, afin que soit évité tout risque résultant de ce remplacement.

NETTOYAGE

Pour assurer un travail sécurisé, entretenez toujours la machine et ses orifices de ventilation propres.

Vérifiez régulièrement si dans la grille de ventilation à proximité du moteur électrique ou autour des commutateurs n'ont pas pénétré de la poussière ou des corps étrangers. Utilisez une brosse douce pour éliminer la poussière accumulée. Pour protéger vos yeux, portez des lunettes de protection lors du nettoyage.

Si le boîtier de la machine a besoin d'être nettoyé, essuyez-le à l'aide d'un chiffon mou humide. Vous pouvez utiliser un détergent non agressif.



AVERTISSEMENT: Il est interdit d'utiliser de l'alcool, de l'essence ou d'autres solvants. N'utilisez jamais de produits agressifs pour nettoyer les pièces en matière plastique.



AVERTISSEMENT: Il est inacceptable que de l'eau entre en contact avec la machine.

IMPORTANT! Pour assurer un travail sécurisé avec l'appareil électrique et la longévité de celui-ci, tous les travaux de réparation, d'entretien et

de réglage (y compris la vérification et le remplacement des balais) doivent être effectués dans les ateliers agréés de SPARKY avec l'utilisation exclusive de pièces de rechange d'origine.

PROTECTION ANTI-POUSSIÈRES INCORPORÉE

Le collier de sécurité 1 protège la douille de l'instrument contre les saletés lors du travail. Lors de l'installation de l'instrument, veiller à ne pas endommager le collier de sécurité.



AVERTISSEMENT: En cas d'endommagement du collier de sécurité, le remplacer immédiatement!

Pour remplacer le collier de sécurité 1, tirer la douille de verrouillage 2 vers l'arrière. Prendre le collier de sécurité et le tirer fort vers l'avant, en l'inclinant. Placer le nouveau collier de sécurité sur l'arbre, en l'inclinant légèrement et le presser fortement.

INDICATION "SERVICE"

Lorsque la diode lumineuse rouge 10 se met à clignoter, et l'appareil continue à fonctionner normalement, il est nécessaire de changer les balais. Après 8 heures d'opération, approximativement, les balais sont complètement usés et le déclencheur est activé. L'appareil s'arrête, et le voyant rouge continue à clignoter. Porter l'appareil dans une station de service agréée pour l'outillage du producteur, pour le remplacement des balais et la prophylactique.

Si l'appareil ne fonctionne pas avant l'écoulement de la période d'alarme de 8 heures, et la diode lumineuse rouge 10 clignote, cela indique que l'électromoteur est probablement en panne. En cas d'absence de toute indication lumineuse et de non-fonctionnement de l'appareil, cela veut dire qu'il manque d'alimentation jusqu'à l'appareil, ou que l'interrupteur ou le câble d'alimentation sont endommagés.

EXAMEN PROPHYLACTIQUE

Présenter périodiquement l'outil électroportatif dans une station de service agréée pour l'outillage du producteur SPARKY pour un examen prophylactique. Les examens prophylactiques prolongeront la vie de votre outil électroportatif.

Premier examen - après 70 heures d'opération approximativement. Évaluer le fonctionnement de l'appareil, et si nécessaire, examiner l'outil électroportatif.

Deuxième examen - après 140 heures d'opération approximativement ou après usure des balais.

Effectuer un nettoyage général de l'instrument électroportatif, examiner et éliminer les défauts survenus ou potentiels (remplacer les balais et les anneaux d'isolation).

Troisième examen - après 250 heures d'opération approximativement ou après usure des balais. Effectuer un nettoyage général de l'instrument électroportatif, examiner et éliminer les défauts survenus ou potentiels (remplacer les balais et les anneaux d'isolation).

Quatrième examen - après 350 heures d'opération approximativement ou après usure des balais.

Effectuer un nettoyage général de l'instrument électroportatif, examiner et éliminer les défauts survenus ou potentiels (remplacer les balais et les anneaux d'isolation).

Garantie

La période de garantie des outils électroportatifs SPARKY est définie dans le contrat de garantie.

La garantie ne couvre pas les pannes apparues suite à l'usure naturelle, une surcharge ou une mauvaise exploitation.

Les pannes survenues pour cause de matériaux défectifs et/ou d'erreurs de fabrication seront réparées gratuitement ou le produit sera échangé.

Les réclamations pour un instrument SPARKY défectueux seront honorées si la machine est retournée au livreur ou est présentée à un service après-vente agréé assemblé et dans son état original (assemblée).

Notes

Lisez attentivement toute cette instruction d'utilisation avant de commencer à vous servir de l'outil.

Le producteur retient son droit d'améliorer ses produits et de changer les spécifications sans avis spécial.

Les spécifications peuvent varier selon le pays.

Indice

Introduzione	33
Caratteristiche tecniche	35
Avvertenze generali di pericolo per elettroutensili.....	36
Ulteriori norme di sicurezza per trapani e martelli.....	37
Elementi della macchina	A/38
Uso della macchina	39
Manutenzione	41
Garanzia	43

PRIMA DELL'USO

Prima dell'uso verificare la presenza di tutti i componenti e degli accessori elencati. In caso di mancanze o apparenti difetti rivolgersi al rivenditore specializzato. L'inosservanza di tale raccomandazione potrebbe provocare gravi incidenti.

ASSEMBLAGGIO

Il martello è fornito completamente montato.

Introduzione

Questo utensile SPARKY supererà le Vostre aspettative. La produzione secondo i rigorosi standard di qualità SPARKY assicura un'ottima prestazione. Se utilizzato correttamente, l'utensile risulterà maneggevole e sicuro, e garantirà un uso duraturo.

AVVERTENZA:



Leggere attentamente tutte le istruzioni prima dell'utilizzo dell'utensile. Leggere con cura soprattutto le parti introdotte da "Avvertenza". Questo utensile SPARKY presenta numerose caratteristiche che faciliteranno il Suo lavoro. Sicurezza, qualità ed affidabilità sono punti chiave nello sviluppo di questo utensile, e lo rendono semplice nell'uso e nella manutenzione.



Non smaltire elettroutensili insieme a rifiuti domestici!

Residui di prodotti elettrici devono essere smaltiti separatamente dai rifiuti domestici e sottoposti ad un riciclaggio ecologico. Si prega di informarsi presso le autorità locali o i rivenditori specializzati circa il più vicino luogo di raccolta.

RISPETTO DELL'AMBIENTE



Macchina, accessori ed imballaggio devono essere destinati ad una riutilizzazione ecologica per il recupero di materie prime.

I componenti in plastica sono contrassegnati per relativo riciclaggio.

SIMBOLI

L'etichetta che si trova sulla macchina contiene alcuni simboli. Questi forniscono importanti informazioni sull'utensile o istruzioni sull'uso dello stesso.



Doppio isolamento per ulteriore sicurezza.



Corrisponde alle direttive europee applicabili.



Conforme alla normative russa.



Conforme alle esigenze dei documenti normativi ucraini



Osservare le istruzioni originali.


YYYY-Www Periodo di produzione, ove i simboli variabili sono:

YYYY – l'anno di produzione,

ww – la settimana di calendario consecutiva

BP Martello perforatore.

Caratteristiche tecniche

Modello	BP 540CE
▪ Potwnza assorbita	1010 W
▪ Giri a vuoto	200-325/350 min ⁻¹
▪ Preselezione della velocità	si
▪ Elettronica costante	si
▪ 2 sensi di rotazione	no
▪ Frizione di sicurezza	si
▪ Impulsi a vuoto	1900 – 3050/3300 min ⁻¹
▪ Energia d'impatto (secondo normativa EPTA 05)	4 – 7.6/8.7 J
▪ Diametro max di foratura in cemento	
con punte elicoidali	40 mm
con punte per fori passanti	55 mm
con corone a puntas cava	90 mm
▪ Regolazione scalpello	24 posizioni
▪ Attacco	SDS-max
▪ Peso (secondo normativa EPTA 01/2003)	6.0 kg
▪ Classe di protezione (EN 60745-1) 	II

INFORMAZIONI SULLA RUMOROSITÀ E SULLA VIBRAZIONE

Valori determinati secondo la normativa EN 60745

▪ Valori di emissione acustica

Misurazione A del livello di pressione acustica L_{pA}	95.0 dB (A)
Incertezza K_{pA}	3.0 dB (A)
Misurazione A del livello di potenza acustica L_{WA}	106.0 dB (A)
Incertezza K_{WA}	3.0 dB (A)

Utilizzare cuffie di protezione!

▪ Livello di vibrazione *

Valori di vibrazione totale (somma dei vettori dei tre assi) determinati secondo la normativa EN 60745:

Foratura a percussione in cemento	
Livello di vibrazione a h_{ID}	13.5 m/s ²
Incertezza K_{ID}	1.5 m/s ²
Tassellatura	
Livello di vibrazione a h_{D}	11.5 m/s ²
Incertezza K_{D}	1.5 m/s ²

* Valori di vibrazione determinati secondo la normativa EN 60745 (paragrafo 6.2.7).

Il livello di vibrazione sopra indicato è stato definito seguendo il metodo di misurazione riportato nella normativa EN 60745 e può essere utilizzato per confrontare tra di loro diversi elettrotensili. Inoltre è adatto per effettuare una stima provvisoria del livello di esposizione.

Il livello di vibrazione si riferisce alle modalità d'uso principali dell'utensile. Tuttavia, se utilizzato per scopi diversi da quelli previsti, con punte poco stabili o senza adeguata manutenzione, il livello di vibrazione può variare. Ciò può aumentare sensibilmente il livello di esposizione durante il lavoro.

Per una precisa definizione del livello di esposizione dovrebbe essere preso in considerazione anche l'arco di tempo in cui l'utensile è spento o funzionante ma non in uso. Ciò può ridurre sostanzialmente il livello di esposizione durante il lavoro.

Utilizzare l'utensile e gli accessori con cura, e maneggiarlo mantenendo le mani calde così da ridurre gli effetti dannosi dell'elevato livello di vibrazioni.

Polvere derivante da materiali come vernici contenenti particelle di piombo, alcuni tipi di legno, minerali e metallo potrebbe essere nociva. Il contatto o l'inalazione di tali polveri potrebbe causare reazioni allergiche e/o problemi al sistema respiratorio dell'utente o di terzi.

Talune tipologie di polveri, come ad esempio quella derivante da legno di quercia o faggio, soprattutto se trattati con additivi e conservanti, sono classificate come cancerogene. Si consiglia di fare trattare materiali contenenti asbesto solo a persone esperte.

- Se possibile collegare sempre la macchina ad un dispositivo di aspirazione.
 - Per ottenere un alto grado di asportazione della polvere, usare nel lavoro con questo elettrotensile un aspirapolvere destinato a raccogliere la polvere di legno e/o polvere minerale
 - Tenere l'area di lavoro ben pulita e ventilata.
 - Si consiglia l'uso di una mascherina o filtro di classe P2.
- Osservare le direttive nazionali relative al materiale da lavorare.

Avvertenze generali di pericolo per elettrotensili



AVVERTENZA! Leggere tutte le istruzioni d'uso e le avvertenze di sicurezza. L'inosservanza delle istruzioni seguenti può causare folgorazioni, incendi e/o gravi danni a persone.

Conservare con cura queste istruzioni.

Il termine "utensile" in tutte le avvertenze successive si riferisce sia agli utensili collegati alla rete elettrica (con cavo di alimentazione) che agli utensili a batteria (senza cavo).

1) Area di lavoro

- Mantenere l'area di lavoro pulita e ben illuminata.** Le zone buie ed ingombre di oggetti favoriscono incidenti.
- Non utilizzare l'utensile in presenza di liquidi infiammabili, gas o polvere.** Le scintille generate potrebbero infiammare polvere e/o vapore.
- Tenere a distanza bambini e terzi durante il funzionamento.** Per una distrazione potreste perdere il controllo dell'utensile.

2) Sicurezza elettrica

- La spina dell'utensile deve essere adatta alla presa utilizzata. Non modificare la spina in alcun modo. Non utilizzare adattatori con gli utensili collegati a terra.** L'impiego di una spina integra ed una presa adatta riduce i rischi di folgorazione.
- Evitare di toccare con il corpo le superfici collegate a terra quali tubi, radiatori, forni e frigoriferi.** Il rischio di folgorazione aumenta se il corpo è collegato a terra.

- Non esporre l'utensile alla pioggia e all'umidità.** La penetrazione d'acqua nell'utensile aumenta il rischio di folgorazione.
- Non utilizzare il cavo per scopi diversi da quello previsto. Non utilizzare il cavo per trasportare o tirare l'utensile, oppure per staccare la spina dalla presa. Tenere il cavo lontano da fonti di calore, olio, parti appuntite o in movimento.** Cavi danneggiati o attorcigliati aumentano il rischio di folgorazione.
- Se l'utensile viene utilizzato all'aperto, usare una prolunga adatta all'uso esterno.** L'impiego di una prolunga da esterno riduce il rischio di folgorazione.
- Se il lavoro in una ambiente umido è strettamente necessario, utilizzare una presa protetta da dispositivo a corrente residua.** Ciò riduce i rischi di scosse.

3) Sicurezza personale

- L'uso di elettrotensili richiede attenzione e buon senso. Non utilizzare gli utensili se si è stanchi o sotto l'effetto di droghe, alcol o medicinali.** Una breve distrazione può provocare gravi danni alle persone.
- Munirsi di indumenti e dispositivi di protezione. Indossare sempre occhiali da lavoro.** L'uso di dispositivi di protezione tra cui mascherina antipolvere, scarpe antiscivolo, casco e protezioni per l'udito riduce il rischio di danni a persone.
- Evitare l'accensione accidentale. Accertarsi che l'interruttore sia in posizione "OFF" prima di inserire la spina.** Se si trasportano gli utensili con il dito sull'interruttore o si inserisce la spina nella presa con l'interruttore in posizione "ON" aumenta il rischio di incidenti.
- Togliere tutte le chiavi di regolazione**

prima di accendere l'utensile. Una chiave lasciata inserita in una parte rotante di un utensile può provocare danni a persone.

e) **Non utilizzare l'utensile in condizioni estreme.** Mantenere sempre l'equilibrio ed i piedi ben appoggiati a terra. Questo consente un maggior controllo dell'utensile in caso di imprevisti.

f) **Indossare un abbigliamento adeguato.** Non indossare abiti svolazzanti o gioielli. Tenere capelli, vestiti, e guanti lontani dalle parti in movimento. Abiti svolazzanti, gioielli o capelli potrebbero impigliarsi nelle parti in movimento.

g) **In presenza di apparecchiature per il collegamento a dispositivi di aspirazione e raccolta delle polveri, accertarsi che essi siano collegati ed utilizzarli correttamente.** L'uso di queste apparecchiature può ridurre i rischi causati dalla polvere.

4) Uso e manutenzione dell'utensile

a) **Utilizzare l'utensile più adatto per il lavoro da svolgere.** L'impiego dell'utensile giusto migliora la qualità del lavoro e la sicurezza.

b) **Non utilizzare l'utensile se non è possibile accenderlo e spegnerlo con l'apposito interruttore.** Gli utensili che non possono essere controllati con l'interruttore sono pericolosi e devono essere riparati.

c) **Staccare la spina dall'alimentazione di corrente prima di eseguire regolazioni, cambiare accessori o riporre l'utensile.** Osservando queste precauzioni si riduce il rischio di accensione accidentale dell'utensile.

d) **Riporre gli utensili non utilizzati fuori dalla portata dei bambini e non consentirne l'utilizzo a persone che non conoscono l'utensile o queste istruzioni.** Nelle mani di persone inesperte gli utensili possono diventare pericolosi.

e) **Sottoporre l'utensile a manutenzione.** Verificare il corretto allineamento di tutte le parti mobili, controllare che non siano grippate e che non vi siano rotture o altri guasti che potrebbero influire sul funzionamento dell'utensile. Far riparare gli utensili danneggiati prima di riutilizzarli. Molti incidenti sono causati da utensili in pessime condizioni.

f) **Tenere le punte e gli strumenti da taglio puliti ed affilati.** Se sottoposti ad una regolare manutenzione e pulizia consentono di

lavorare in modo più preciso e sono maggiormente controllabili.

g) **Utilizzare l'utensile, gli accessori, gli attrezzi etc. secondo quanto indicato in queste istruzioni nonché tenendo in considerazione le condizioni di lavoro e il lavoro da eseguire.** L'impiego di utensili per scopi diversi da quelli per cui sono stati progettati può dare origine a situazioni pericolose.

5) Manutenzione

a) **Far riparare l'utensile da personale qualificato che utilizzi solo parti di ricambio originali.** In caso contrario la sicurezza dell'utensile potrebbe risultare compromessa.

Ulteriori norme di sicurezza per trapani



Impiegare mezzi per protezione dell'udito. Il rumore intenso durante il lavoro potrebbe provocare danneggiamento dell'udito.

• **Usare sempre l'impugnatura supplementare, in dotazione della macchina.** La perdita di controllo può causare un infortunio sul lavoro.



Usare durante il lavoro mezzi per la protezione della vista, per proteggersi da particelle volanti. Portare occhiali di protezione.



Prendere precauzioni contro l'inspirazione di polvere. Alcuni materiali possono contenere componenti tossiche. Indossare maschera antipolvere. Impiegare depolverizzatori.

• **Quando si eseguono lavori in cui vi è pericolo che l'accessorio impiegato possa arrivare a toccare cavi elettrici nascosti oppure anche il cavo elettrico della macchina stessa, tenere l'elettroscopio afferrandolo sempre alle superfici di impugnatura isolate.** Un contatto con un cavo elettrico mette sotto tensione anche le parti in metallo dell'elettroscopio e provoca quindi una scossa elettrica.

• **Non trattare materiali contenenti asbesto, in quanto considerato cancerogeno.**



AVVERTENZA: Prima di iniziare il lavoro assicurarsi sempre che il voltaggio della presa corrisponda a quello indicato sull'etichetta dell'utensile.

- Una fonte di corrente con voltaggio superiore a quello previsto per la macchina può causare danni all'utente e/o alla macchina stessa.
- Se in dubbio, non inserire la spina nella presa.
- Operare con un voltaggio inferiore rispetto a quello previsto potrebbe surriscaldare il motore della macchina.
- Svolgere il cavo o la prolunga per evitare un eventuale surriscaldamento.
- In caso sia necessario l'uso di una prolunga, assicurarsi che sia intatta e che l'ampereaggio della stessa sia corretto.



AVVERTENZA: Prima di sostituire qualsiasi accessorio o eseguire operazioni di manutenzione accertarsi sempre che l'utensile sia spento e la spina staccata dalla presa di corrente.

- Si consiglia di afferrare l'utensile con entrambe le mani e di assumere una stabile posizione operativa, ciò consente di guidare l'utensile con maggiore sicurezza.
- Controllare sempre che nelle pareti e nei soffitti non vi siano cavi elettrici, tubi nascosti, etc. A tale scopo è possibile acquistare un metal detector in tutti i negozi fai da te. Il contatto con condutture elettriche può provocare incendi o scosse. Danneggiare una conduttura di gas potrebbe causare esplosioni. La rottura di una conduttura d'acqua potrebbe provocare danni a cose o scosse.
- Tenere sempre il cavo di alimentazione fuori dal raggio d'azione della macchina.
- Non utilizzare mai la macchina se il cavo risulta danneggiato. Non afferrare il cavo e non utilizzarlo per staccare la spina dalla presa. Cavi danneggiati aumentano il rischio di scosse.
- Mantenere sempre l'equilibrio e i piedi ben appoggiati. In caso di utilizzo in aree sopraelevate assicurarsi che nessuno si trovi al di sotto.
- Se possibile fissare sempre il pezzo da forare con morsetti o con una morsa a vite.
- Prestare attenzione alla reazione iniziale della

coppia di forza e in caso di pressione sulla punta. Spegnerne immediatamente l'utensile al momento dell'inserimento della punta. Prestare attenzione ad una reazione elevata della coppia di forza che potrebbe causare contraccolpi. La punta si blocca in caso di sovraccarico della macchina o se rimane incastrata nel materiale.

- Non toccare la punta durante o dopo l'uso, essendo questa surriscaldata.
- Mantenere l'area di lavoro pulita e ben illuminata. Zone buie e ingombre di oggetti favoriscono incidenti.
- Non lasciare stracci, panni, corde, spaghi e simili nell'area di lavoro.
- Spegnerne sempre il trapano prima di appoggiarlo.
- Non utilizzare la macchina per scopi diversi da quelli indicati in queste istruzioni. L'uso per qualsiasi altra finalità sarà considerato uso improprio. In tal caso sarà l'utente e non l'azienda produttrice ritenuto responsabile di eventuali danni o lesioni.
- Per un utilizzo corretto di questo elettroutensile è necessario osservare le avvertenze di sicurezza, le norme supplementari e le istruzioni d'uso fornite in questo opuscolo. Tutti gli utenti della macchina devono aver letto queste istruzioni e devono essere a conoscenza degli eventuali rischi. Bambini e persone di corporatura debole non devono maneggiare l'utensile. Bambini nelle vicinanze dell'area di lavoro devono essere tenuti sotto stretto controllo. È assolutamente necessario attenersi alle disposizioni di prevenzione dagli infortuni, così come alle norme di sicurezza sul lavoro vigenti nella sua area.
- L'azienda produttrice non è responsabile per eventuali modifiche apportate all'utensile da parte dell'utente o per danni causati da tali modifiche.
- Non esporre l'utensile alla pioggia o all'umidità e non utilizzarlo in presenza di liquidi infiammabili, gas o polveri.

Elementi della macchina

Prima di utilizzare la macchina è bene conoscere le sue particolarità e le avvertenze di sicurezza.

Usare l'utensile e gli accessori solo per gli scopi indicati in queste istruzioni. L'uso per qualsiasi altra finalità è severamente vietato

1. Anello di protezione antipolvere
2. Anello di blocco
3. Vite di fissaggio
4. Asta di profondità
5. Aperure di ventilazione
6. Selettore di funzione
7. Interruttore ON/OFF
8. Rondella di regolazione della velocità
9. Indicatore luminoso di operatività
10. Indicatore luminoso di sovraccarico e di usura spazzole
11. Aperture di ventilazione
12. Impugnatura supplementare anti-vibrazione

Uso della macchina

Questo martello è azionato da corrente alternata monofase. Dispone di un doppio isolamento in conformità alle norme EN 60745-1 e IEC 60745 e può essere collegato a prese di corrente con o senza messa a terra. È inoltre conforme alla normativa europea sulla schermatura 2004/108/EC.

Questo utensile è indicato per la foratura a percussione, la demolizione e la tassellatura in cemento, calcestruzzo, muratura, nonché per la foratura in acciaio, legno, plastica, etc. In questo caso il martello deve essere equipaggiato con adattatore e mandrino (non in dotazione).



Questo elettroutensile dispone di un sistema anti-vibrazione, che riduce le vibrazioni di oltre 50%.

PRIMA DELLA MESSA IN FUNZIONE

- Che la tensione di alimentazione corrisponda ai valori indicati sulla targhetta dell'utensile.
- Che l'interruttore ON/OFF non sia premuto. Il trapano deve essere collegato all'alimentazione elettrica solo se l'interruttore non è premuto.
- Che il cavo elettrico e la spina siano in perfetto stato. Per motivi di sicurezza i cavi elettrici danneggiati devono essere sostituiti solo dall'azienda produttrice o dai centri di servizio autorizzati.



AVVERTENZA: Prima di sostituire qualsiasi accessorio o eseguire operazioni di manutenzione accertarsi sempre che l'utensile sia spento e la spina staccata dalla presa di corrente.

- In caso l'area di lavoro sia distante da una presa di corrente utilizzare una prolunga più corta possibile.
- Assicurarsi che l'impugnatura supplementare sia montata e fissata correttamente.

ACCENSIONE/SPEGNIMENTO

Funzionamento per breve tempo

Accensione: premere l'interruttore ON/OFF (7). Spegnimento: rilasciare l'interruttore ON/OFF (7). A basse temperature lasciare girare a vuoto la macchina per circa 3 minuti prima di iniziare i lavori di tassellatura.



AVVERTENZA: Se la macchina viene sovraccaricata di oltre 30%, l'indicatore luminoso (10) relativo si accenderà. la macchina non deve funzionare per lungo tempo in questo regime.

SELEZIONARE LA VELOCITÀ, NUMERO DI COLPI ED ENERGIA D'IMPATTO

Mediante la rondella di regolazione della velocità (7) è possibile impostare la velocità, il numero di colpi, nonché l'energia d'impatto adatti a ciascun materiale. L'elettronica costante mantiene tali valori costanti indipendentemente dal carico, assicurando un regime uniforme di lavoro. Si consiglia di utilizzare i regimi indicati nella tabella seguente.

Area d'impiego	Posizione della rondella	Velocità	Numero di colpi	Energia d'impatto
Intonaco, materiali da costruzione leggeri	A-B	200-225 min ⁻¹	1900-2100 min ⁻¹	4 J
Mattoni, scalpellatura di piastrelle	C-D	250-275 min ⁻¹	2350-2600 min ⁻¹	6-7 J
Foratura in calcestruzzo	E-F	300-325 min ⁻¹	2850-3050 min ⁻¹	8-9 J
Tassellatura in calcestruzzo	G		3300 min ⁻¹	11 J

Ruotare la rondella (8) dalla posizione A alla F per aumentare i valori. L'indicatore luminoso di operatività (9) lampeggerà con una luce verde. Per impostare la funzione "high power" ruotare la rondella (8) fino a raggiungere la posizione G. Questa funzione si distingue per l'energia d'impatto elevata che raggiunge persino gli 11J. In questo caso l'indicatore luminoso di operatività (9) presenterà una luce costante verde



AVVERTENZA: È consigliato il lavoro a regime "high power" solo per la tassellatura o per un breve utilizzo nel regime di "foratura a percussione". Un lavoro continuativo a regime di "foratura a percussione" provoca una rapida stanchezza dell'operatore e un celere logoramento della macchina.

SELETTORE DI FUNZIONE

Selezionare la funzione solo a macchina spenta.

Ruotando il selettore di funzione (6) impostare la funzione desiderata:

- (1) foratura a percussione
- (2) calibratura della punta
- (3) funzione "a impulsi"



AVVERTENZA: Ruotare il selettore di funzione solo nella direzione indicate sull'interruttore stesso.

INSERIRE E FISSARE PUNTE E SCALPELLI SDS-MAX

Pulire e lubrificare il gambo della punta/dello scalpello prima di inserirlo nell'attacco.

Tenere la parte superiore dell'attacco (2), inserire il gambo della punta SDS-max e farla ruotare fino a quando le scanalature del gambo non

coincidano con le guide interne dell'attacco (2). Dopo di ch  premere la punta verso il basso fino al punto di arresto. verificare che la punta sia fissata cercando distrarla con forza



AVVERTENZA: Durante il lavoro con scalpelli l'interruttore ON/OFF (6) deve essere posizionato in funzione "a impulsi".

ESTRARRE LA PUNTA O LO SCALPELLO SDS-MAX

Tirare indietro l'anello di blocco dell'attacco (2) ed estrarre la punta o lo scalpello.

REGOLARE LA POSIZIONE DELLO SCALPELLO

- Inserire lo scalpello come indicato nel paragrafo precedente.
 - Ruotare lievemente il selettore di funzione (6) in posizione intermedia.
 - Regolare lo scalpello nella posizione desiderata.
 - Riposizionare il selettore (6) in funzione "foratura a percussione", successivamente muovere leggermente lo scalpello a destra e a sinistra fino a che questo non si fissi.
- Per ottenere maggior durata e maggior efficienza della macchina utilizzare solo punte e scalpelli affilati.

IMPUGNATURA SUPPLEMENTARE ANTI-VIBRAZIONE

Usare sempre l'impugnatura supplementare (12).

Allentare l'impugnatura girandola verso sinistra. Regolarla nella posizione desiderata e rifissarla. Non trasportare la macchina solo con l'impugnatura supplementare se questa non   correttamente fissata.

Inserire l'asta di profondità (4) per impostare la profondità dei fori da effettuare. L'asta deve essere fissata mediante la vite di fissaggio (3). L'impugnatura supplementare è legata al corpo centrale della macchina mediante elementi ammortizzanti. Ciò garantisce maggiore sicurezza e minore sforzo per l'utente.

RACCOMANDAZIONI D'USO

Applicare una pressione moderata per la foratura in calcestruzzo (100-150 N circa). Una forte pressione non aumenta l'efficacia della foratura e della tassellatura, bensì diminuirà la vita della macchina.

Estrarre la punta di tanto in tanto dal foro per favorire la fuoriuscita della polvere creatasi. Controllare periodicamente il grado di usura della punta e sostituirla quando si nota una considerevole diminuzione della capacità di foratura.

ACCESSORI UTILIZZABILI CON QUESTO ELETTROUTENSILE

- Punta SDS-max per cemento da Ø12 a Ø40 mm. Per un uso ottimale si consiglia di utilizzare punte da Ø24 a Ø32 mm.
- Punta SDS-max per fori passanti in cemento (fino a Ø55 mm)
- Corone a punta cava SDS-max fino a Ø90 mm
- Scalpelli SDS-max a punta di lunghezza fino a 600 mm
- Scalpelli piatti SDS-max di larghezza fino a 80 mm
- Scalpelli SDS-max per scanalature di larghezza fino a 32 mm



AVVERTENZA: È sconsigliato l'uso di altri accessori eccetto quelli sopra indicati in quanto potrebbero causare danni o lesioni a persone e/o cose. Utilizzare gli accessori solo per l'uso predefinito. In caso di assistenza rivolgersi ai centri autorizzati SPARKY.

Manutenzione



AVVERTENZA: Accertarsi che l'utensile sia spento e che la spina sia disinserita prima di effettuare qualsiasi controllo di manutenzione.

CONTROLLI PERIODICI GENERALI

Controllare regolarmente che tutte le viti siano propriamente fissate (fig. 10). Dopo un uso prolungato potrebbero infatti allentarsi a causa delle vibrazioni.

In caso sia necessario cambiare il cavo, recarsi ad un centro assistenza SPARKY.

PULIZIA

Per poter garantire buone e sicure operazioni di lavoro, tenere la macchina e le aperture di ventilazione sempre pulite.

Verificare regolarmente che polvere o altri corpi estranei non siano penetrati nelle aperture di ventilazione o attorno agli interruttori. Utilizzare uno spazzolino morbido per rimuovere la polvere depositatasi. Proteggere gli occhi durante la pulizia indossando occhiali da lavoro.

Per pulire la macchina utilizzare un panno umido. È possibile utilizzare un leggero detersivo.



AVVERTENZA: Non utilizzare alcohol, benzina o altri solventi. È sconsigliato l'uso di detersivi aggressivi per la pulizia delle parti in plastica.



AVVERTENZA: Evitare il contatto della macchina con l'acqua.

IMPORTANTE! Per garantire la sicurezza e l'affidabilità dell'utensile, riparature, lavori di manutenzione ed altre regolazioni (incluso il controllo e l'eventuale sostituzione delle spazzole) devono essere effettuate da centri di assistenza SPARKY autorizzati, dove vengono adoperate solo parti originali.

SISTEMA DI PROTEZIONE ANTI-POLVERE

L'anello di protezione antipolvere (1) protegge l'attacco dalla polvere durante il lavoro con la macchina. Fare attenzione a non danneggiare l'anello (1) ogni qual volta si inseriscono o estraiono le punte e gli scalpelli.



AVVERTENZA: Sostituire immediatamente l'anello di protezione antipolvere se danneggiato!

Per sostituire l'anello di protezione (1) è necessario tirare indietro l'anello di blocco (2). Afferrare l'anello di protezione e tirarlo in avanti, in senso obliquo. Posizionare un altro anello di protezione sull'albrino e premere con forza.

INDICAZIONE LUMINOSA **“MANUTENZIONE NECESSARIA”**

Se l'indicatore luminoso (10) rosso comincia a lampeggiare a macchina funzionante, ciò indica che è necessaria la sostituzione delle spazzole. Dopo circa 8 ore di funzionamento dal preavviso, le spazzole si logorano completamente e la frizione di sicurezza entra in funzione bloccando la macchina. A questo punto l'indicatore luminoso (10) rosso continuerà a lampeggiare. La macchina deve dunque essere consegnata ad un centro assistenza autorizzato per la sostituzione delle macchine o per qualsiasi operazione di manutenzione.

Nel caso in cui la macchina smetta di funzionare prima che il limite delle 8 ore sia superato e l'indicatore luminoso (10) rosso continui a lampeggiare, probabilmente il motore potrebbe essere danneggiato.

Se invece la macchina non funziona e non vi è alcun segnale luminoso attivo, ciò significa che la macchina non riceve alimentazione elettrica oppure che l'interruttore o il cavo di alimentazione sono danneggiati.

MANUTENZIONE PREVENTIVA

Si consiglia di fare controllare periodicamente la macchina in un centro autorizzato SPARKY. Controlli preventivi aumenteranno la durata dell'utensile.

Primo controllo – dopo circa 70 h di lavoro con la macchina.

Il funzionamento della macchina dovrebbe essere verificato e in caso necessario la macchina deve essere controllata.

Secondo controllo – dopo circa 140 h di lavoro con la macchina o in caso di usura spazzole.

La macchina deve essere pulita a fondo e controllata. Difetti accertati o presunti devono essere eliminati (spazzole e sigillature degli anelli devono essere sostituiti).

Terzo controllo – dopo circa 250 h di lavoro o in caso di usura spazzole.

La macchina deve essere pulita a fondo e controllata. Difetti accertati o presunti devono essere eliminati (spazzole e sigillature degli anelli devono essere sostituiti).

Quarto controllo – dopo circa 350 h di lavoro o in caso di usura spazzole.

La macchina deve essere pulita a fondo e controllata. Difetti accertati o presunti devono essere eliminati (spazzole e sigillature degli anelli devono essere sostituiti).

Garanzia

Il periodo di garanzia per gli utensili SPARKY ha validità a partire dalla data di acquisto ed è conforme alle normative europee.

Non sono coperti da garanzia danni derivanti da usura, sovraccarico o uso improprio.

L'azienda produttrice assicura la sostituzione di tutte le parti non funzionanti in cui si riconoscano difetti di materiale e/o di lavorazione.

Le prestazioni di garanzia saranno erogate solo se la macchina richiesta sarà inviata in condizioni integre al rivenditore o ad un centro di assistenza, accompagnata dallo scontrino fiscale.

Ulteriori informazioni

Leggere attentamente tutte le istruzioni prima di iniziare a lavorare con l'utensile.

L'azienda produttrice si riserva il diritto di apportare modifiche tecniche senza preavviso.

Le specifiche tecniche possono variare da paese a paese.

Contenido

Introducción	44
Datos técnicos	46
Instrucciones generales de seguridad al operar con herramientas eléctricas	47
Normas adicionales de seguridad al operar con martillos perforadores	49
Componentes principales de la herramienta eléctrica	A/50
Instrucciones para la operación	51
Mantenimiento	53
Garantía	55

DESENVASE

En conformidad con las tecnologías de grandes series generalmente aceptadas, es poco probable que su herramienta eléctrica sea defectuosa o que le falte alguna pieza. Si observa que algo no está en orden, no opere con la herramienta eléctrica hasta que su pieza dañada no haya sido sustituida o su defectuosidad no haya sido eliminada. El incumplimiento de esta recomendación puede conducir a un accidente de trabajo grave.

ENSAMBLAJE

El martillo perforador se suministra envasado y completamente ensamblado.

Introducción

La herramienta eléctrica SPARKY que acaba de adquirir superará sus expectativas. Ha sido fabricada conforme a las altas normas de calidad de SPARKY que responden a las exigencias más rigurosas del usuario. Su mantenimiento es fácil y es segura a la hora de explotarse. Si se usa correctamente, esta herramienta eléctrica le servirá con fiabilidad durante largos años.

¡ADVERTENCIA!



Lea con atención e íntegramente estas instrucciones de explotación antes de usar la herramienta eléctrica SPARKY que acaba de adquirir. Preste una atención especial a los textos encabezados por la palabra "Advertencia". Su herramienta eléctrica SPARKY posee muchas cualidades que facilitarán su trabajo. Al diseñarse esta herramienta eléctrica, se ha prestado una mayor atención a la seguridad, a las cualidades de explotación y a la fiabilidad que facilitan su mantenimiento y explotación.



¡No tire la herramienta eléctrica junto con los residuos domésticos!

Los residuos de productos eléctricos no deben recogerse junto con los residuos domésticos. Por favor, recíclelos en los lugares destinados a ello. Póngase en contacto con las autoridades locales o con un representante suyo para informarse respecto al reciclaje.

PROTECCIÓN DEL MEDIO AMBIENTE



Con miras a la protección del medio ambiente, esta herramienta eléctrica, sus accesorios y su envase deben someterse a un tratamiento adecuado para reutilizar las materias primas que contienen.

Para facilitar el reciclaje de las piezas fabricadas de materiales artificiales, éstas han sido marcadas de la forma correspondiente.

DESCRIPCIÓN DE LOS SÍMBOLOS

Sobre la placa de características técnicas de la herramienta eléctrica se han marcado símbolos especiales. Éstos facilitan información importante sobre el producto o instrucciones para su manejo.



Doble aislamiento de protección adicional.



Compatible con las Directivas europeas aplicables.



Compatible con los requisitos de los documentos normativos rusos.



Compatible con los requisitos de los documentos normativos ucranianos.




Familiarícese con el manual de usuario.

YYYY-Www Período de fabricación, donde los símbolos variables son:

YYYY: año de fabricación,
ww: semana civil consecutiva.

BP Martillo perforador.

Datos técnicos

Modelo	BP 540CE
▪ Potencia consumida	1010 W
▪ Revoluciones en marcha en vacío	200-325/350 min ⁻¹
▪ Regulación electrónica de las revoluciones	sí
▪ Electrónica constante	sí
▪ Cambio del sentido de rotación	no
▪ Acoplador mecánico protector	sí
▪ Frecuencia máxima de las percusiones	1900 - 3050/3300 min ⁻¹
▪ Energía por percusión única (EPTA Procedimiento 05)	4 - 7,6/8,7 J
▪ Diámetro máximo de la herramienta en hormigón:	
brocas salomónicas	40 mm
brocas para aberturas viables	55 mm
brocas trepanadoras	90 mm
▪ Posiciones del cincel	24
▪ Fijación de la herramienta	SDS-max
▪ Peso (EPTA Procedimiento 01/2003)	6,0 kg
▪ Clase de protección (EN 60745-1) 	II

INFORMACIÓN SOBRE EL RUIDO Y LAS VIBRACIONES

Los valores se han medido según la norma EN 60745.

▪ Emisión de ruido

A-nivel medido de presión sonora L _{pA}	95,0 dB (A)
Indeterminación K _{pA}	3,0 dB (A)
A-nivel medido de potencia sonora L _{wA}	106,0 dB (A)
Indeterminación K _{wA}	3,0 dB (A)

¡Utilice medios de protección contra el ruido!

▪ Emisión de vibraciones *

Valor total de las vibraciones (suma vectorial de tres direcciones) determinado según la norma EN 60745:

Perforación de percusión en hormigón	
Valor de las vibraciones emitidas a _{h,HD}	13,5 m/s ²
Indeterminación K _{HD}	1,5 m/s ²
Demolición	
Valor de las vibraciones emitidas a _{h,ChEq}	11,5 m/s ²
Indeterminación K _{ChEq}	1,5 m/s ²

* Las vibraciones se han determinado según el apartado 6.2.7 de la norma EN 60745.

El nivel de las vibraciones determinado en esta instrucción ha sido medido en conformidad con la metodología de ensayo indicada en EN 60745 y podrá utilizarse para comparar instrumentos eléctricos. El nivel de las vibraciones podrá utilizarse para una evaluación previa del grado de influencia.

El nivel declarado de las vibraciones se refiere a la destinación principal del instrumento eléctrico. En los casos cuando el instrumento eléctrico se utilice con otra destinación, con otros accesorios o cuando el instrumento eléctrico no haya sido mantenido debidamente, el nivel de las vibraciones podrá ser diferente al indicado. En estos casos, el nivel de influencia podrá aumentar considerablemente dentro de los límites del período total de funcionamiento.

En la evaluación del nivel de influencia de las vibraciones se deberá tener en consideración el tiempo durante el cual el instrumento eléctrico queda desconectado o conectado, pero no se utiliza. Esto podrá reducir notablemente el nivel de influencia dentro de los límites del período total de funcionamiento.

¡Manténganse el instrumento eléctrico y los accesorios en buen estado! Procure tener las manos calientes durante el trabajo. Esto disminuirá la influencia nociva durante un trabajo con vibraciones elevadas.

El polvo desprendido en el procesamiento de los materiales, como pinturas que contienen plomo, algunos tipos de madera, minerales y metales, podrá ser peligroso para la salud. El contacto o la aspiración del polvo podrá provocar reacciones alérgicas y/o enfermedades de las vías respiratorias del operario o de las personas a su alrededor.

Algunos tipos de polvo, por ejemplo, de roble o de haya, se consideran cancerígenos, ante todo si se combinan con adiciones para procesar la madera (cromato, conservantes). El material que contenga asbesto se ha de procesar únicamente por especialistas.

- Cuando sea posible, utilice la evacuación de polvo.
- Para alcanzar un alto grado de captación de polvo, al operar con esta herramienta eléctrica, utilice una aspiradora destinada a recoger polvo de madera o para polvo de madera y/o polvo mineral.
- Asegure una buena ventilación del lugar de trabajo.
- Se recomienda usar una mascarilla antipolvo de protección con filtro clase P2.

Respétense las disposiciones vigentes en su país acerca del procesamiento de los respectivos materiales.

Instrucciones generales de seguridad durante el trabajo con herramientas eléctricas



ADVERTENCIA! Lea íntegramente estas advertencias e instrucciones de seguridad. Si no se respetan las advertencias e instrucciones de seguridad, podrá llegar a causarse una avería por la corriente eléctrica, un incendio y/o una lesión grave.

Guárdense todas las advertencias e instrucciones de seguridad para su uso futuro.

El término "herramienta eléctrica" empleado en todas las advertencias descritas a continuación se refiere a su instrumento eléctrico alimentado de la red (con un cordón eléctrico) y/o de una máquina eléctrica alimentada por una batería de acumuladores (sin cordón eléctrico).

1) Seguridad del puesto de trabajo

- Mantenga limpio y bien iluminado su puesto de trabajo.** El desorden y la insuficiente iluminación son premisas para un accidente de trabajo.
- No trabaje con la herramienta eléctrica en un entorno de aire explosivo donde hay líquidos inflamables, gases o polvo.** Las herramientas eléctricas producen chispas que pueden incendiar el polvo o el vapor.
- Mantenga a los niños y a las personas extrañas a una distancia cuando esté**

trabajando con una herramienta eléctrica. Una distracción suya le puede hacer perder el control sobre el instrumento eléctrico.

2) Seguridad eléctrica

- Los enchufes de las herramientas eléctricas deben corresponder a la toma de corriente. No cambie el enchufe bajo ningún concepto. No emplee ningún enchufe adaptador en las herramientas eléctricas de puesta a tierra.** El uso de enchufes no modificados y su correspondiente toma de corriente reduce el riesgo de una avería causada por la corriente eléctrica.
- Evite el contacto de su cuerpo con la tierra o con superficies con puesta a tierra, como tubos, radiadores, cocinas y refrigeradores.** Si su cuerpo está con puesta a tierra, existe un mayor riesgo de producirse una avería por la corriente eléctrica.
- No exponga la herramienta eléctrica a la lluvia o en un ambiente húmedo.** La penetración del agua en el interior del instrumento eléctrico aumenta el riesgo de producirse una avería por la corriente eléctrica.
- Utilice el cordón eléctrico conforme a su destino. Jamás utilice el cordón eléctrico para trasladar el instrumento eléctrico, tirar o sacar el enchufe de la toma de corriente. Mantenga el cordón eléctrico alejado del calor, de lubricantes, aristas vivas o piezas móviles.** Los cordones eléctricos deteriorados o enredados aumentan el riesgo de producirse una avería por la corriente eléctrica.
- Al trabajar con la herramienta eléctrica a la intemperie, utilice un alargador apropiado para trabajar al aire libre.** La

utilización de un alargador adecuado para trabajar a la interperie reduce el riesgo de producirse una avería por la corriente eléctrica.

- f) **Para interrumpir la alimentación, utilice un dispositivo de seguridad que se pone en funcionamiento por la corriente eléctrica restante de ser imprescindible el empleo de la herramienta eléctrica en un ambiente húmedo.** *La aplicación de un dispositivo de seguridad reduce el riesgo de producirse una avería por la corriente eléctrica.*

3) Seguridad personal

- a) **Manténgase en alerta, trabaje con mayor atención y sea prudente mientras esté trabajando con la herramienta eléctrica. No utilice la herramienta eléctrica si estuviese cansado bajo el efecto de drogas, alcohol o medicamentos.** *Un instante de falta de atención al trabajar con un instrumento eléctrico puede provocar un grave accidente de trabajo.*
- b) **Utilice medios de protección personal. Lleve siempre medios para la protección de los ojos. Los medios de protección personal como carreta antipolvo, zapatos seguros con suela antideslizante, casco o protectores auditivos utilizados en condiciones concretas reducen el riesgo de accidentes de trabajo.**
- c) **Evite una puesta en marcha involuntaria. Antes de asir o trasladar el instrumento eléctrico, asegúrese de que el interruptor esté desconectado previa su conexión a la fuente de alimentación y/o a la batería de acumuladores.** *Puede dar lugar a un accidente de trabajo que la herramienta eléctrica sea trasladada con el dedo sobre el interruptor, o bien la conexión de dicha herramienta a una fuente de alimentación con el interruptor en posición conectada.*
- d) **Retire toda llave de ajuste o llaves de tuercas antes de conectar la herramienta eléctrica.** *Una llave de ajuste o llave de tuercas fijada a una pieza rotatoria puede producir un accidente de trabajo.*
- e) **¡No alargue la mano! Mantenga en todo momento la postura correcta y el equilibrio.** *Ello permitirá un mejor manejo de la herramienta eléctrica en caso de que se presente una situación inesperada.*
- f) **Lleve una ropa de trabajo adecuada. No lleve prendas anchas o joyas. Mantenga su cabello, vestimenta y guantes**

alejados de las piezas móviles. *La ropa ancha, las joyas o el pelo largo se podrán enganchar a las piezas en movimiento.*

- g) **Siempre que sea posible, utilice equipos de aspiración o recogepolvos y asegúrese que estén conectados y que se utilicen correctamente.** *El uso de estos dispositivos puede reducir los riesgos que son producto del polvo.*
- ### 4) Uso y cuidado de las herramientas eléctricas
- a) **No sobrecargue la herramienta eléctrica. Según el uso, hágase una correcta selección de la herramienta eléctrica.** *La herramienta correctamente seleccionada funciona mejor y con mayor seguridad en el régimen de trabajo para el que ha sido diseñada.*
 - b) **No utilice la herramienta eléctrica si el interruptor no conmuta en posición de “conectado” y “desconectado”.** *Toda herramienta eléctrica que no pueda ser manejada con el interruptor es peligrosa y ha de ser reparada.*
 - c) **Antes de efectuar cualquier ajuste, saque el enchufe de la red de alimentación, previo cambio de cualquier accesorio o antes de guardar la herramienta.** *Estas medidas de seguridad preventivas reducen el riesgo de poner en funcionamiento la herramienta eléctrica accidentalmente.*
 - d) **Guarde las herramientas eléctricas que no hayan sido utilizadas en lugares que estén fuera del alcance de los niños, y no permita que trabajen con ella las personas que prestan servicios y desconozcan la herramienta eléctrica y estas instrucciones.** *Las herramientas eléctricas son peligrosas en manos de usuarios inexpertos.*
 - e) **Mantenga la herramienta eléctrica. Averigüe si sus piezas móviles funcionan correctamente y se mueven con libertad, así como la integridad y el buen estado de las piezas, como también cualquier otra circunstancia que pudiera afectar de forma desfavorable el funcionamiento de la herramienta eléctrica.** *En caso de que esté deteriorada, la herramienta habrá de repararse antes de que se continúe usando. Muchos accidentes se deben al mal mantenimiento de las herramientas eléctricas.*
 - f) **Mantenga las herramientas cortantes limpias y afiladas.** *Las herramientas cortantes con bordes afilados y cortantes que*

tengan un mantenimiento correcto es menos probable que bloqueen y son más fáciles de manejar.

g) **Utilice la herramienta eléctrica, los accesorios, las piezas, etc., de acuerdo con estas instrucciones y de la forma prevista para el tipo de herramienta eléctrica concreta, tomando en consideración las condiciones laborales y el trabajo a realizar.** *El uso de la herramienta eléctrica con fines diferentes a aquellos para los que ha sido diseñada puede causar una situación de peligro.*

5) Servicio

a) **Repare su herramienta eléctrica con un técnico cualificado en reparaciones, utilizando sólo piezas de recambio originales.** *Ello garantizará el mantenimiento y la seguridad de la herramienta eléctrica.*

Instrucciones adicionales de seguridad al operar con martillos perforadores



Utilice medios de protección auditiva al operar con la herramienta eléctrica. *El ruido intenso durante la operación puede ocasionar daños auditivos.*

▪ **Utilice siempre el asidero adicional suministrado con la máquina.** *La pérdida de control puede ocasionar un accidente de trabajo.*



Durante la operación, utilice medios de protección de la vista para protegerse de las partículas volantes. *Lleve gafas de protección.*



Adopte medidas preventivas contra la aspiración de polvo. *Es posible que algunos materiales contengan componentes tóxicos. Lleve una careta de protección antipolvo. Utilice un dispositivo para la evacuación del polvo, en caso de ser posible acoplarlo a la herramienta eléctrica.*

▪ **Sujete la herramienta eléctrica solamente por las superficies aisladas de sujeción cuando efectúe una operación, en la cual el accesorio cortante puede entrar en contacto con una instalación eléctrica oculta o con su propio cable.** *El contacto del accesorio cortante con un conductor eléctrico bajo*

tensión pondrá las partes metálicas abiertas de la herramienta eléctrica bajo tensión, y el operador sufrirá electrocución.

▪ No procese materiales que contienen amianto. El amianto se considera una sustancia cancerígena.



ADVERTENCIA: Antes de conectar la herramienta eléctrica a la red de alimentación, cerciórese de que el voltaje de alimentación corresponde al indicado sobre la placa de datos técnicos de la herramienta eléctrica.

▪ Una fuente de alimentación con voltaje superior al indicado para la herramienta eléctrica puede causar tanto un daño grave de corriente eléctrica al operador como una avería a la herramienta eléctrica.

▪ Si tiene algunas vacilaciones, no introduzca el enchufe de la herramienta eléctrica en la caja de contacto.

▪ El uso de una fuente de alimentación con voltaje inferior al indicado sobre la placa de datos técnicos de la herramienta eléctrica dañará el motor eléctrico.

▪ Para evitar un posible sobrecalentamiento, desenrosque siempre hasta el final el cable del prolongador con un tambor de cable.

▪ Cuando sea imprescindible usar un prolongador, cerciórese de que su sección corresponde a la corriente nominal de la herramienta eléctrica utilizada, así como del buen estado del prolongador.



ADVERTENCIA: Desconecte siempre la herramienta eléctrica y saque el enchufe de la toma de corriente antes de efectuar cualquier ajuste, servicio o mantenimiento.

▪ Mientras esté operando, sostenga siempre la máquina fuertemente con ambas manos y mantenga su cuerpo en posición estable. La herramienta eléctrica se maneja con mayor seguridad cuando se sostiene con ambas manos.

▪ Antes de empezar a operar, averigüe con un buscametales apropiado si hay una instalación eléctrica, un gasoducto o una tubería de agua ocultos, o bien solicite la asistencia de los respectivos servicios locales. El contacto de la broca con una instalación eléctrica oculta puede causar una descarga de corriente eléctrica. La avería de un gasoducto puede provocar una explosión. La perforación de

una tubería de agua originará daños materiales o una descarga de corriente eléctrica.

- Mantenga el cable de alimentación fuera del alcance de funcionamiento de la máquina.
- No utilice la herramienta eléctrica cuando el cable esté dañado. No toque el cable dañado y saque el enchufe de la toma de corriente si el cable se ha dañado durante el funcionamiento. Los cables dañados elevan el riesgo de electrocución.
- Mantenga su cuerpo siempre en una posición estable. Cuando esté operando con la herramienta eléctrica a una altura determinada, cerciórese de que debajo de usted no haya nadie.
- Fije la pieza que está procesando en una mordaza o de otra forma apropiada.
- Observe el momento de inercia al poner en marcha la herramienta eléctrica o en caso de acuñarse el taladro. Desconecte inmediatamente la herramienta eléctrica si la broca ha bloqueado. Manténgase en alerta de que no se produzca un momento reactivo alto que pueda provocar retroceso. La broca quedará bloqueada si la herramienta eléctrica se sobrecarga o si se acuña en el material que se está procesando.
- No toque la broca ni la pieza en procesamiento inmediatamente después de la operación. Éstas pueden estar muy calientes y provocar quemaduras en la piel.
- Mantenga su puesto de trabajo limpio. La mezcla de polvo de diversos materiales es sumamente peligrosa. El polvo de metales ligeros puede arder o explotar.
- No deje nunca trapos, estopas, conductores o alambres cerca del lugar de operación.
- Desconecte siempre la máquina antes de dejarla aparte.
- La herramienta eléctrica debe usarse solamente según el fin con que ha sido concebida. Cualquier otro uso que difiera del que se describe en este manual se considerará uso incorrecto. La responsabilidad por cualquier daño o lesión derivados del uso incorrecto será asumida por el usuario, y no por el fabricante.
- Para explotar correctamente esta herramienta eléctrica, deberán cumplirse las normas de seguridad, las instrucciones generales y las indicaciones de operación que se señalan aquí. Cada usuario debe familiarizarse con este manual de explotación y estar informado acerca de los riesgos potenciales al operar con la herramienta eléctrica. Los niños y las personas físicamente débiles no deben utili-

zar esta herramienta eléctrica. Los niños deben estar bajo vigilancia constante si se encuentran cerca del lugar de operación con la herramienta eléctrica. Es obligatorio adoptar asimismo medidas de seguridad preventivas. Ello se refiere también al cumplimiento de las normas básicas de salud profesional y seguridad.

- El fabricante no asume responsabilidad por las modificaciones en la herramienta eléctrica que hayan sido efectuadas por el usuario o por las averías causadas a raíz de estas modificaciones.
- La herramienta eléctrica no debe usarse al aire libre cuando esté lloviendo, en un entorno húmedo (después de llover) o cerca de líquidos y gases fácilmente inflamables. El puesto de trabajo debe estar bien iluminado.



ADVERTENCIA: : ¡Al operar con el cincel, el conmutador 6 debe estar siempre en posición "martillo"!

Componentes principales de la herramienta eléctrica

Antes de empezar a operar con la herramienta eléctrica, infórmese acerca de todas sus peculiaridades operativas y de las condiciones de seguridad.


Utilice la herramienta eléctrica y sus accesorios solamente según el fin con que han sido concebidos. Queda terminantemente prohibida cualquier otra aplicación.

1. Anillo protector
2. Manguito de cierre
3. Tornillo
4. Línea demarcadora
5. Orificios de ventilación
6. Conmutador de los regímenes de operación
7. Interruptor
8. Regulador de la frecuencia de rotación
9. Indicador de los regímenes
10. Indicador de desgaste de los cepillos y de sobrecarga
11. Orificios de ventilación
12. Asidero adicional

Instrucciones para la operación

Esta herramienta eléctrica se alimenta solamente mediante voltaje monofásico alterno. Posee doble aislamiento, según las normas EN 60745-1 e IEC 60745, y puede conectarse a tomas de corriente sin bornes de protección. Las radiointerferencias corresponden a la Directiva de Compatibilidad Electromagnética 2004/108/CE.

La herramienta eléctrica está destinada a practicar quebrantamientos, demoliciones y perforaciones de percusión en mampostería, hormigón y rocas con gran productividad.

 La herramienta eléctrica está provista de un mecanismo para reducir las vibraciones, que disminuye las vibraciones con más del 50%.

ANTES DE EMPEZAR A OPERAR

- Revise si el voltaje de la red eléctrica corresponde al indicado en la placa de datos técnicos de la herramienta eléctrica.
- Revise la posición en que se encuentra el interruptor. La herramienta eléctrica debe conectarse y desconectarse de la red de alimentación solamente cuando el interruptor esté desconectado. Si el enchufe ha sido introducido en la toma de corriente mientras que el interruptor está conectado, la herramienta eléctrica se accionará inmediatamente, lo cual es una premisa de accidente.
- Cerciórese del buen estado del cable de alimentación y del enchufe. Si el cable de alimentación está dañado, la sustitución de éste debe efectuarse por el fabricante o por un técnico de servicio suyo para evitar los peligros de la sustitución.



ADVERTENCIA: Desconecte siempre la herramienta eléctrica y saque el enchufe de la toma de corriente antes de efectuar cualquier ajuste, servicio o mantenimiento.

- Si la zona de operación está alejada de la fuente de alimentación, utilice un prolongador de sección apropiada lo más corto posible.
- Revise si el asidero adicional ha sido colocado correctamente y si ha sido atiesado de forma segura.

CONEXIÓN - DESCONEXIÓN

- Conexión: El interruptor 7 se aprieta y se retiene.
- Desconexión: El interruptor 7 se afloja.

En temperaturas bajas, la demolición con la herramienta eléctrica debe empezar apenas después de que haya estado funcionando, aproximadamente, durante 3 minutos en marcha en vacío.



ADVERTENCIA: Al sobrecargar la máquina con un 30%, se ilumina el diodo luminoso rojo 10. La máquina no debe funcionar durante largo tiempo en este régimen.

SELECCIÓN DE VELOCIDAD, FRECUENCIA Y ENERGÍA DE LAS PERCUSIONES

Al girar el regulador 8, se seleccionan las revoluciones, la frecuencia y la energía de las percusiones apropiadas, según el material que se está procesando. La electrónica constante mantiene constantes las revoluciones, la frecuencia y la energía de las percusiones, independientemente de la carga, lo cual asegura un régimen igual durante la operación. Es recomendable aplicar los regímenes de operación indicados en la tabla.

Área de aplicación	Posición del regulador	Velocidad de rotación	Frecuencia de las percusiones	Energía por percusión única
Enlucido / materiales de construcción ligeros	A-B	200-225 min ⁻¹	1900-2100 min ⁻¹	4 J
Ladrillos / demolición de azulejos	C-D	250-275 min ⁻¹	2350-2600 min ⁻¹	6-7 J
Perforación de hormigón	E-F	300-325 min ⁻¹	2850-3050 min ⁻¹	8-9 J
Demolición de hormigón	G		3300 min ⁻¹	11 J

Al girar el regulador 8 desde la posición A hasta F, se produce un aumento de la velocidad, de la frecuencia y de la energía de las percusiones. El indicador 9 se ilumina con una luz verde parpadeante.

El régimen de operación ALTA POTENCIA (High Power) se selecciona, girando el regulador 8 a la posición G. El régimen se caracteriza por un aumento de la energía de percusión hasta 11J. El indicador 9 se ilumina con una luz verde constante.



ADVERTENCIA: La aplicación del régimen ALTA POTENCIA (High Power) se recomienda solamente al demoler y en una operación breve en régimen de perforación de percusión. La operación continua en régimen de perforación de percusión conlleva cansancio rápido del operador y desgaste elevado de la máquina.

SELECCIÓN DEL RÉGIMEN DE OPERACIÓN

La conmutación de los regímenes de operación debe efectuarse cuando la máquina esté en reposo.

Gire el conmutador de los regímenes de operación 6 en el sentido indicado sobre él, hasta la posición deseada.

Cada vez que se conmuten los regímenes de operación, la herramienta debe girarse ligeramente a mano, de izquierda a derecha, hasta fijarse.

(1) - Perforación de percusión: para perforar orificios en mampostería, hormigón y otros materiales.

(2) - Cambio de la posición del cincel: para fijar la posición de la herramienta en la posición angular deseada al demoler y cincelar (véase el punto "Cambio de la posición del cincel").

(3) - Martillo: para demoler y cincelar.



ADVERTENCIA: Gire el conmutador de los regímenes de operación solamente en el sentido indicado sobre él.

COLOCACIÓN DE LA HERRAMIENTA SDS-MAX

¡Limpie y lubrique la cola de la herramienta antes de colocarla en la caja!

Al colocar la herramienta, el manguito de cierre 2 debe retenerse en posición superior (anterior).

Coloque libremente la herramienta en el husillo.

Gire la herramienta en el husillo hasta que las estrías coincidan.

Después de que las estrías coincidan, la herramienta se introduce hacia abajo, hasta el tope (hasta oírse un chasquido claro del mecanismo de fijación). Revise si la herramienta ha sido fijada correctamente, tirándola fuertemente hacia afuera.



ADVERTENCIA: Al operar con el cincel, el conmutador 6 debe estar siempre en la posición "martillo".

DESMONTAJE DE LA HERRAMIENTA SDS-MAX

El manguito de cierre 2 se debe tirar hacia atrás, hasta el final, y la herramienta se saca.

CAMBIO DE LA POSICIÓN DEL CINCEL

- La herramienta se coloca en la caja de la forma descrita en el apartado "Colocación de la herramienta SDS-Plus".

- El conmutador de los regímenes de operación 6 debe girarse a la posición "Cambio de la posición del cincel".

- La herramienta debe girarse a mano hasta la posición deseada.

- El conmutador de los regímenes de operación 6 debe girarse a la posición "martillo", después de lo cual la herramienta debe girarse levemente a mano, de izquierda a derecha, hasta cerrarse.

Puede alcanzarse una mayor duración de servicio y una alta productividad del martillo perforador únicamente con herramientas de demolición y cincelado bien afiladas.

ASIDERO ADICIONAL

Utilice siempre el asidero adicional.

Afloje el asidero, desenroscándolo hacia la izquierda. Gire el asidero a la posición de operación más cómoda, atiesándolo bien posteriormente.

No lleve la máquina por el asidero adicional cuando esté aflojado.

Mediante la línea demarcadora 4, se puede fijar la profundidad de los orificios perforados. La línea demarcadora 4 se inmoviliza con el tornillo 3.

El asidero adicional de estos modelos está conectado con el cuerpo de la máquina mediante elementos vibroamortiguadores, lo cual protege al operador y reduce el cansancio durante la operación.

RECOMENDACIONES DURANTE LA OPERACIÓN

Aplique una presión moderada al perforar en hormigón (aproximadamente, 150 - 200N). La presión grande no eleva la productividad de la máquina al perforar y conduce a la reducción de su vida útil.

De vez en cuando, saque la broca de la abertura para eliminar el polvo.

Debe observarse el grado de embotamiento de la broca y cambiarla cuando se observe una disminución considerable de la productividad.

ACCESORIOS QUE PUEDEN UTILIZARSE CON ESTA HERRAMIENTA ELÉCTRICA

- Brocas salomónicas para hormigón SDS-max, con diámetro de Ø12 a Ø40 mm. Se recomienda el uso de brocas de Ø24 a Ø32 mm para operar, con las que la herramienta eléctrica ha sido optimizada
- Brocas para aberturas viables para hormigón SDS-max, con diámetro hasta Ø55 mm
- Brocas trepanadoras SDS-max, con diámetro hasta Ø90 mm
- Punzones SDS-max, con longitud hasta 600 mm
- Cinceles SDS-max, con anchura hasta 80 mm
- Zanjeadoras SDS-max, con anchura hasta 32 mm



ADVERTENCIA: Para operar con esta herramienta eléctrica, se recomiendan los accesorios o los dispositivos indicados anteriormente. El uso de accesorios o dispositivos, diferentes de los indicados, es una premisa de accidente de trabajo. Utilice los accesorios o los dispositivos solamente según el fin con que han sido concebidos. Si necesita información adicional respecto a estos accesorios, diríjase al centro de servicio local de SPARKY.

Mantenimiento



ADVERTENCIA: Desconecte siempre la herramienta eléctrica y saque el enchufe de la toma de corriente antes de realizar cualquier revisión o mantenimiento.

REVISIÓN GENERAL

Revise regularmente todos los elementos de entibación y cerciórese de que hayan sido bien atiesados. En caso de que alguno de los tornillos se haya aflojado, apriételo inmediatamente para evitar situaciones de riesgo.

Si el cable de alimentación está dañado, su sustitución debe efectuarse por el fabricante o por un técnico de servicio suyo para evitar los peligros de la sustitución.

LIMPIEZA

Para una operación segura, mantenga siempre limpios la máquina y los orificios de ventilación. Revise regularmente si en la rejilla de ventilación, cerca del motor eléctrico o en torno a los conmutadores no han entrado polvo o cuerpos ajenos. Utilice un cepillo suave para quitar el polvo acumulado. Para proteger sus ojos, lleve gafas de protección durante la limpieza.

Si el cuerpo de la máquina necesita limpieza, límpielo con un paño suave y húmedo. Puede emplearse un detergente de limpieza suave.



ADVERTENCIA: No se deben usar alcohol, gasolina ni otros disolventes. No utilice nunca detergentes de limpieza corrosivos para limpiar las piezas de plástico.



ADVERTENCIA: El agua no debe entrar en contacto con la máquina.

¡IMPORTANTE! Para garantizar una operación segura con la herramienta eléctrica y su fiabilidad, todas las actividades de reparación, mantenimiento y regulación (incluidas la revisión y la sustitución de los cepillos) deben efectuarse en los centros de servicio autorizados de SPARKY, utilizando solamente piezas de recambio originales.

PROTECCIÓN ANTIPOLVO INCORPORADA

Durante la operación, el anillo protector 1 protege la caja de la herramienta contra impurezas. Al colocar la herramienta, procure no dañar el anillo protector.



ADVERTENCIA: ¡Cambie inmediatamente el anillo protector si se ha dañado!

Para cambiar el anillo protector 1, tire el mango de cierre 2 hacia atrás. Agarre el anillo protector, tirándolo fuertemente y de soslayo hacia adelante. Coloque en el husillo el nuevo anillo protector, levemente inclinado, y apriételo fuertemente.

INDICACIÓN “PRESTACIÓN DE SERVICIO”

Cuando el diodo luminoso rojo 10 empiece a parpadear y la máquina sigue operando normalmente, es necesario cambiar los cepillos. Después de 8 horas de trabajo, aproximadamente, los cepillos se desgastan completamente y el interruptor se acciona. La máquina se detiene y el indicador sigue parpadeando con luz roja. Lleve la máquina a un centro de servicio autorizado para cambiar los cepillos y para que se le practique una revisión preventiva.

Si la máquina no funciona sin que haya transcurrido el período de advertencia de 8 horas y el diodo luminoso rojo 10 parpadea, ello significa que el motor eléctrico probablemente

está dañado. Si no hay ninguna indicación de luz y la máquina no funciona, ello significa que hasta la máquina no llega alimentación, o bien que el interruptor o el cable de alimentación están dañados.

REVISIÓN PREVENTIVA

Periódicamente, la herramienta eléctrica debe llevarse a un centro de servicio autorizado de SPARKY para efectuar una revisión preventiva. Las revisiones preventivas prolongarán la vida de su herramienta eléctrica.

Primera revisión: después de 70 horas de trabajo, aproximadamente.

Se realiza una evaluación del funcionamiento de la máquina, y, si es necesario, se hace una revisión de la herramienta eléctrica.

Segunda revisión: después de 140 horas de trabajo, aproximadamente, o bien después de que se desgasten los cepillos.

Se hace una limpieza básica de la herramienta eléctrica, una revisión y eliminación de los defectos surgidos o potenciales (se sustituyen los cepillos y los anillos de guarnición).

Tercera revisión: después de 250 horas de trabajo, aproximadamente, o bien después de que se desgasten los cepillos.

Se hace una limpieza básica de la herramienta eléctrica, una revisión y eliminación de los defectos surgidos o potenciales (se sustituyen los cepillos y los anillos de guarnición).

Cuarta revisión: después de 350 horas de trabajo, aproximadamente, o bien después de que se desgasten los cepillos.

Se hace una limpieza básica de la herramienta eléctrica, una revisión y eliminación de los defectos surgidos o potenciales (se sustituyen los cepillos y los anillos de guarnición).

Garantía

El plazo de garantía de las herramientas eléctricas SPARKY se determina en la tarjeta de garantía.

Los defectos que hayan surgido como consecuencia del desgaste natural, de la sobrecarga o de la explotación incorrecta se excluyen de las obligaciones de la garantía.

Los defectos que hayan surgido como consecuencia de que se hayan invertido materiales de baja calidad y/o de errores de fabricación, serán subsanados sin pago adicional, mediante sustitución o reparación.

La reclamación por una herramienta eléctrica SPARKY defectuosa será reconocida cuando la máquina haya sido devuelta al proveedor o cuando haya sido presentada en un centro de servicio de garantía autorizado en su estado sin desmontar (inicial).

Observaciones

Lea atentamente todo el manual de usuario antes de usar este producto.

El fabricante se reserva el derecho de introducir mejoras y modificaciones en sus productos, así como modificar las especificaciones, sin notificarlo.

Las especificaciones pueden variar para cada país.

Conteúdo

Introdução	56
Dados técnicos	58
Indicações gerais de segurança do trabalho com ferramentas eléctricas	59
Refras adicionais de segurança do trabalho com perfuradores	60
Conhecimento da ferramenta eléctrica	A/62
Instruções para o trabalho	62
Manutenção	64
Garantia	66

DESEMBALAGEM

De acordo com as tecnologias de produção geralmente utilizadas, é pouco provável o novo instrumento eléctrico que você adquiriu ser ineficiente ou lhe faltar alguma peça. Mesmo assim, se você verificar que qualquer coisa não está bem, não trabalhe com o instrumento, enquanto a peça ineficiente não for substituída, ou a imperfeição não ficar eliminada. O não seguimento desta recomendação é capaz de provocar um acidente de trabalho grave.

ENSAMBLAGEM

O perfurador suministra-se embalado e completamente ensamblado.

Introdução

O novo instrumento eléctrico SPARKY que adquiriu vai ultrapassar as suas expectativas. Ele foi fabricado de acordo com os mais elevados padrões de qualidade da SPARKY, os quais vão de encontro com as exigências mais rigorosas do consumidor. Fácil de manutenção e seguro durante a utilização, sendo correctamente manipulado, este instrumento eléctrico servir-lhe-á fielmente durante muitos anos.

ATENÇÃO!



Leia atentamente toda a instrução para o uso, antes de começar a trabalhar com o seu novo instrumento eléctrico SPARKY. Preste especial atenção aos textos que começam com a palavra "Atenção". O seu instrumento eléctrico SPARKY possui qualidades que hão de facilitar o seu trabalho. Ao ser fabricado este instrumento eléctrico, maior atenção foi prestada à segurança, às qualidades de exploração e à fiabilidade, as quais fazem dele um instrumento fácil de manutenção e de exploração.



Não deitar o instrumento eléctrico para o lixo comum!

Os resíduos de aparelhos eléctricos não se devem misturar com o lixo comum. Mande-os para reciclagem nos lugares destinados a isso. Ponha-se em contacto com as autoridades locais ou com um representante para consultar a forma de reciclagem.

PROTECÇÃO DO MEIO AMBIENTE



Visando a protecção do meio ambiente, o instrumento eléctrico, os seus acessórios e embalagem têm de ser submetidos a uma adequada reelaboração para serem novamente utilizadas as matérias primas contidas neles.

Para facilitar a reciclagem, as peças feitas de materiais sintéticos levam a respectiva denotação.

DESCRIÇÃO DOS SÍMBOLOS

Sobre a chapa com os dados do instrumento eléctrico estão denotados os símbolos especiais que fornecem importante informação sobre o artefacto ou recomendações para o seu uso.



Duplo isolamento para protecção adicional.



Conformidade com as directrizes europeias aplicáveis.



De acordo com os critérios russos de segurança.



Conformidade com as exigências dos documentos normativos ucranianos.



Leia a instrução para o uso.


YYYY-Www Período de fabrico, onde os símbolos variáveis são:

YYYY – ano de fabrico,

ww – a respectiva semana corrente do calendário

BP Perfurador.

Dados técnicos

Modelo	BP 540CE
▪ Capacidade de consumo	1010 W
▪ Rotações ao ralenti	200-325/350 min ⁻¹
▪ Regulação electrónica das rotações	sim
▪ Electrónica constante	sim
▪ Mudança do sentido de rotação	não
▪ Embraiagem mecânica protectora	sim
▪ Frequência das percussões ao ralenti	1900 - 3050/3300 min ⁻¹
▪ Energia da percussão singular (EPTA procedimento 05)	4 - 7,6/8,7 J
▪ Diâmetro máximo do instrumento em betão:	
brocas de espiral	40 mm
brocas para conductos	55 mm
coroas dentadas	90 mm
▪ Posições do burlil	24
▪ Afixação da ferramenta	SDS-max
▪ Peso (EPTA procedimento 01/2003)	6,0 kg
▪ Classe de protecção (EN 60745-1) 	II

INFORMAÇÃO SOBRE RUÍDO E VIBRAÇÕES

Os valores foram medidos segundo EN 60745.

▪ Emissão de ruído

A-nível avaliado de pressão sonora L _{pA}	95,0 dB (A)
Indefinição K _A	3,0 dB (A)
A-nível avaliado de potência sonora L _{wA}	106,0 dB (A)
Indefinição K _{wA}	3,0 dB (A)

Utilize meios de protecção do ruído!

▪ Emissão de vibrações *

Valor global das vibrações (soma vectora pelos três eixos), determinado segundo EN 60745:

Percussão de percussão em betão	
Valor das vibrações emanadas a _{n,HD}	13,5 m/s ²
Indefinição K _{HD}	1,5 m/s ²
Demolição	
Valor das vibrações emanadas a _{n,CHeg}	11,5 m/s ²
Indefinição K _{CHeg}	1,5 m/s ²

* As vibrações são determinadas segundo o p. 6.2.7 de EN 60745.

O nível das vibrações, indicado neste manual, foi determinado com base no teste indicado por EN 60745 e pode ser utilizado para a comparação de instrumentos eléctricos. O nível das vibrações pode ser utilizado para a avaliação prévia do grau de impacto.

O nível das vibrações declarado refere-se à utilização principal do instrumento. Caso o instrumento eléctrico seja utilizado para outros fins, ou forem utilizados outros acessórios, ou o instrumento não for bem tratado, o nível das vibrações diferenciar-se-á do declarado. Em tais casos o nível do impacto pode crescer consideravelmente dentro do período laboral total.

Ao avaliar o nível de impacto das vibrações, é preciso considerar também o tempo em que o instrumento está desligado, ou está ligado, mas sem funcionar. Tal pode diminuir consideravelmente o nível do impacto dentro do período laboral total.

Mantenha o instrumento eléctrico e os acessórios em bom estado. Cuide as mãos quentes durante o trabalho – isto vai diminuir o efeito nocivo do trabalho com instrumentos de vibração elevada.

O pó resultante do processamento dos materiais tais como pinturas com conteúdo de chumbo, certos tipos de madeiras, minerais e metais, pode ser nocivo para a saúde. O contacto directo ou a aspiração do pó pode causar reacções alérgicas e/ou doenças das vias respiratórias do trabalhador ou das pessoas que se encontram perto dele.

Alguns tipos de pó, por exemplo o de carvalho ou de faia consideram-se carcinogênicos, sobretudo em combinação com ingredientes utilizados no processamento da madeira, tais como cromato ou conservantes.

O material que contém amianto tem de ser processado só por especialistas.

- Quando for possível, utilize sistemas para o desvio do pó.
- Para atingir maior grau de captação do pó, ao trabalhar com o instrumento, utilize aspirador de pó.
- Garanta a boa ventilação do local de trabalho.
- Recomenda-se o uso de máscara anti pó com filtro da classe P2.

Cumpra as regras vigentes no Seu país referentes ao processamento dos diferentes materiais.

Indicações gerais de segurança do trabalho com ferramentas eléctricas



ATENÇÃO! Devem ser lidas todas as indicações de advertência e todas as instruções. O desrespeito das advertências e instruções apresentadas abaixo pode causar choque eléctrico, incêndio e/ou graves lesões.

Guarde bem todas as advertências e instruções para futura referência.

O termo “Ferramenta eléctrica” utilizado a seguir nas indicações de advertência, refere-se a ferramentas eléctricas operadas com corrente de rede (com cabo de rede) e a ferramentas eléctricas operadas com bateria (sem cabo de rede).

1) Segurança da área de trabalho

- Mantenha a sua área de trabalho sempre limpa e bem iluminada.** Desordem ou áreas de trabalho insuficientemente iluminadas podem levar a acidentes.
- Não trabalhar com a ferramenta eléctrica em áreas com risco de explosão, nas quais se encontrem líquidos, gases ou pós inflamáveis.** Ferramentas eléctricas produzem faíscas, que podem inflamar pós ou vapores.
- Manter crianças e outras pessoas afastadas da ferramenta eléctrica durante a utilização.** No caso de distração é possível que perca o controlo sobre o aparelho.

2) Segurança eléctrica

- A ficha de conexão da ferramenta eléctrica deve caber na tomada. A ficha não deve ser modificada de maneira alguma. Não utilizar uma ficha de adaptação jun-**

to com ferramentas eléctricas protegidas por ligação a terra. Fichas não modificadas e tomadas apropriadas reduzem o risco de um choque eléctrico.

- Evitar que o corpo possa entrar em contacto com superfícies ligadas a terra, como tubos, aquecimentos, fogões e frigoríficos.** Há um risco elevado devido a choque eléctrico, se o corpo estiver ligado a terra.
 - Manter o aparelho afastado de chuva ou humidade.** A infiltração de água numa ferramenta eléctrica aumenta o risco de choque eléctrico.
 - Não deverá utilizar o cabo para outras finalidades. Jamais utilizar o cabo para transportar a ferramenta eléctrica, para pendurá-la, nem para puxar a ficha da tomada. Manter o cabo afastado de calor, óleo, cantos afiados ou partes do aparelho em movimento.** Cabos danificados ou emaranhados aumentam o risco de um choque eléctrico.
 - Se trabalhar com uma ferramenta eléctrica ao ar livre, só deverá utilizar cabos de extensão apropriados para áreas exteriores.** A utilização de um cabo de extensão apropriado para áreas exteriores reduz o risco de um choque eléctrico.
 - Se não for possível evitar o funcionamento da ferramenta eléctrica em áreas húmidas, deverá ser utilizado um disjuntor de corrente de avaria.** A utilização de um disjuntor de corrente de avaria reduz o risco de um choque eléctrico.
- ### 3) Segurança de pessoas
- Esteja atento, observe o que está a fazer e tenha prudência ao trabalhar com a ferramenta eléctrica. Não utilizar uma ferramenta eléctrica quando estiver fadigado ou sob a influência de drogas, álcool ou medicamentos.** Um momento de descuido ao utilizar a ferramenta eléctrica, pode levar a lesões graves.

- b) **Utilizar equipamento de protecção pessoal e sempre óculos de protecção.** A utilização de equipamento de protecção pessoal, como máscara de protecção contra pó, sapatos de segurança antiderrapantes, capacete de segurança ou protecção auricular, de acordo com o tipo e aplicação da ferramenta eléctrica, reduz o risco de lesões.
- c) **Evitar uma colocação em funcionamento involuntária.** Assegure-se de que a ferramenta eléctrica esteja desligada, antes de conectá-la a alimentação de rede e/ou ao acumulador, antes de levantá-la ou de transportá-la. Se tiver o dedo no interruptor ao transportar a ferramenta eléctrica ou se o aparelho for conectado a alimentação de rede enquanto estiver ligado, poderão ocorrer acidentes.
- d) **Remover ferramentas de ajuste ou chaves de boca antes de ligar a ferramenta eléctrica.** Uma ferramenta ou chave que se encontre numa parte do aparelho em movimento pode levar a lesões.
- e) **Evite uma posição anormal.** Mantenha uma posição firme e mantenha sempre o equilíbrio. Desta forma é mais fácil controlar a ferramenta eléctrica em situações inesperadas.
- f) **Usar roupa apropriada.** Não usar roupa larga nem jóias. Mantenha os cabelos, roupas e luvas afastadas de partes em movimento. Roupas frouxas, cabelos longos ou jóias podem ser agarrados por peças em movimento.
- g) **Se for possível montar dispositivos de aspiração ou de recolha, assegure-se de que estejam conectados e utilizados correctamente.** A utilização de uma aspiração de pó pode reduzir o perigo devido ao pó.
- 4) Utilização e manuseio cuidadoso de ferramentas eléctricas**
- a) **Não sobrecarregue o aparelho.** Utilize a ferramenta eléctrica apropriada para o seu trabalho. É melhor e mais seguro trabalhar com a ferramenta eléctrica apropriada na área de potência indicada.
- b) **Não utilizar uma ferramenta eléctrica com um interruptor defeituoso.** Uma ferramenta eléctrica que não pode mais ser ligada nem desligada, é perigosa e deve ser reparada.
- c) **Puxar a ficha da tomada e/ou remover o acumulador antes de executar ajustes no aparelho, de substituir acessórios ou de guardar o aparelho.** Esta medida de segurança evita o arranque involuntário da ferramenta eléctrica.
- d) **Guardar ferramentas eléctricas não utilizadas fora do alcance de crianças.** Não permita que pessoas que não estejam familiarizadas com o aparelho ou que não tenham lido estas instruções, utilizem o aparelho. Ferramentas eléctricas são perigosas se forem utilizadas por pessoas inexperientes.
- e) **Tratar a ferramenta eléctrica com cuidado.** Controlar se as partes móveis do aparelho funcionam perfeitamente e não emperram, e se há peças partidas ou danificadas que possam prejudicar o funcionamento da ferramenta eléctrica. Permitir que peças danificadas sejam reparadas antes da utilização. Muitos acidentes têm como causa, a manutenção insuficiente de ferramentas eléctricas.
- f) **Manter as ferramentas de corte afiadas e limpas.** Ferramentas de corte cuidadosamente tratadas e com cantos de corte afiados emperram com menos frequência e podem ser conduzidas com maior facilidade.
- g) **Utilizar a ferramenta eléctrica, acessórios, ferramentas de aplicação, etc. conforme estas instruções.** Considerar as condições de trabalho e a tarefa a ser executada. A utilização de ferramentas eléctricas para outras tarefas a não ser as aplicações previstas, pode levar a situações perigosas.
- 5) Serviço**
- a) **Só permita que o seu aparelho seja reparado por pessoal especializado e qualificado e só com peças de reposição originais.** Desta forma é assegurado o funcionamento seguro do aparelho.

Refras adicionais de segurança do trabalho com perfuradores



Use meios de protecção auriculares ao trabalhar com perfuradores. O barulho intenso durante o trabalho pode causar danos auditivos.

- **Use sempre o punho adicional fornecida com o instrumento.** A perda de controlo pode provocar acidente de trabalho.



Durante o trabalho use meios de protecção dos olhos contra partículas voantes. Use *óculos protectores*.



Tome medidas preventivas contra a aspiração de pó. *Alguns materiais podem conter elementos tóxicos. Use máscara anti-pó. Use equipamento de remoção do pó, caso seja possível juntá-lo ao instrumento eléctrico.*

- **Pegue no instrumento só pelas superfícies isoladas, quando efectua operação na qual a superfície cortante pode entrar em contacto com instalação eléctrica escondida ou com o cordão próprio.** *O contacto da superfície cortante com cabo sob tensão vai deixar as partes metálicas descobertas do instrumento sob tensão e o operário pode sofrer choque eléctrico.*
- Não processe materiais que contêm amianto. O amianto considera-se substância carcinogénica.



ADVERTÊNCIA: Antes de ligar o aparelho à rede eléctrica, verifique se a tensão na rede eléctrica corresponde à que está marcada na placa das características técnicas do instrumento.

- Fonte de alimentação cuja tensão é maior do que a indicada para o instrumento, pode causar tanto um grave dano de choque eléctrico no operário, como avaria do aparelho.
- Se tiver quaisquer hesitações, não meta a ficha de tomada do aparelho na rede de alimentação.
- Fonte de alimentação cuja tensão é menor do que a indicada para o instrumento, pode causar tanto um grave dano ao motor eléctrico.
- Para evitar eventual sobre aquecimento, desenrole sempre até ao fim o cordão a partir duma extensão com cabo de bateria.
- Quando se precisa usar extensão, certifique-se de que a sua secção corresponde a corrente nominal do aparelho e também da perfeitão da extensão.



ADVERTÊNCIA: Desligue sempre a ficha da tomada antes de realizar quaisquer concertos, reparações ou manutenção, bem como nos casos de corte da corrente eléctrica.

- Durante o trabalho pegue na máquina bem com as duas mãos e mantenha o corpo em posição estável. O aparelho maneja-se melhor com as duas mãos.
- Antes de iniciar o trabalho, verifique com um explorador de metais apropriado a presença de instalação eléctrica, gasoduto ou aqueduto escondidos. Procure a colaboração dos respectivos serviços competentes. O contacto do aparelho com instalação eléctrica escondida pode causar choque eléctrico. Uma avaria no gasoduto pode provocar explosão. A perfuração de aqueduto pode causar danos ao imóvel ou trauma de corrente eléctrica.
- Mantenha o cabo alimentador fora do alcance operacional do aparelho.
- Não se admite trabalhar com o cabo alimentador avariado. Se o cabo de alimentação está danificado, não pegue nele e retire a ficha de tomada da rede alimentadora. Se o cabo ficar avariado durante o processo de trabalho. Os cabos avariados aumentam o risco de choque eléctrico.
- Mantenha sempre a posição estável do corpo. Ao trabalhar a uma determinada altura verifique se não está ninguém por baixo.
- Fixe a peça processada com um grampo ou doutro modo adequado.
- Esteja alerta do momento de inércia na altura do arranque do aparelho ou de encravamento da broca. Desligue sempre o aparelho, se a broca ficar encravada. Esteja alerta do momento reactivo elevado que pode causar ricochete. A broca ficará bloqueada se sobrecarregar o aparelho ou a broca ficar encravada no aparelho em funcionamento.
- Não pegue na broca ou na peça processada imediatamente depois do trabalho – eles podem ter ficado muito quentes e podem causar-lhe queimaduras na pele.
- Mantenha o posto de trabalho limpo. A mistura de pó de diferentes materiais é sumamente perigosa. O pó de metais ligeiros pode incendiar-se ou explodir.
- Nunca deixe na zona operacional estopas, cordões, farrapos, etc.
- Sempre desligue o instrumento antes de deixá-lo de lado.
- O aparelho eléctrico tem de se usar só para o que for destinado. Qualquer outro uso diferente do que está descrito neste manual considerar-se-á uso incorrecto. A responsabilidade de qualquer avaria ou ferimento que decorrem do uso incorrecto será assumida pelo consumidor e não pelo fabricante.

- Para explorar correctamente este aparelho, tem de seguir as regras de segurança, as instruções gerais e as indicações para o trabalho aqui assinaladas. Todos os consumidores têm de conhecer este manual e estar informados sobre os riscos potenciais ao trabalhar com o aparelho. Crianças e pessoas de físico fraco não podem trabalhar com o aparelho. As crianças têm de encontrar-se sob vigilância permanente, caso se encontrem perto do lugar onde se trabalha com o aparelho. É preciso serem tomadas obrigatoriamente medidas preventivas de segurança. O mesmo refere-se à observância das regras principais de saúde profissional e segurança técnica.
- O fabricante não assume a responsabilidade pelas alterações feitas no aparelho pelo consumidor, nem pelas avarias que decorrem dessas alterações.
- O aparelho não pode ser usado ao ar livre em tempo de chuva, em ambiente húmido (depois de chuva) ou perto de líquidos e gases facilmente inflamáveis. O local de trabalho tem de ficar bem iluminado.



ADVERTÊNCIA: Ao trabalhar com burlil, o comutador 5 tem de estar sempre na posição "martelo"!

Conhecimento da ferramenta eléctrica

Antes de começar a trabalhar com a ferramenta eléctrica conheça todas as suas particularidades operacionais e as condições de segurança Use a ferramenta eléctrica e seus acessórios só para o que forem destinados. Todo uso diferente fica terminantemente proibido.

1. Anel protector
2. Casquilho apertador
3. Parafuso
4. Linha limitadora
5. Aberturas de ventilação
6. Comutador dos regimes de trabalho
7. Interruptor
8. Regulador da frequência de rotação
9. Indicador dos regimes
10. Indicador da amortização das escovas e da sobrecarga

11. Aberturas de ventilação
12. Manípulo complementar

Instruções para o trabalho

Esta ferramenta eléctrica alimenta-se só por tensão monofásica alternada., Tem duplo isolamento consoante EN 60745-1 e IEC 60745 e pode-se ligar a contactos sem junções protectoras As perturbações de radio correspondem à Directriz da compatibilidade electromagnética 2004/108/EC.

Esta ferramenta eléctrica destina-se à perfuração de percussão em betão, pedra, alvenaria e outros materiais quebradiços. Utilizando um adaptador com cabeça 176838 (não entra no conjunto) em regime de perfuração, o perfurador pode ser utilizado como máquina furadora para fazer aberturas em aço, madeira, plásticos e outros materiais.



A ferramenta está provida de um mecanismo para reduzir as vibrações, o qual consegue reduzi-las com mais de 50%.

ANTES DE COMEÇAR O TRABALHO

- Verifique se a tensão da rede eléctrica corresponde à que está indicada sobre a chapa com os dados técnicos da ferramenta eléctrica.
- Verifique em que posição se encontra o interruptor. A ferramenta tem de se conectar e desconectar da rede só com o interruptor desligado. Se meter a ficha no contacto enquanto o interruptor estiver na posição de conectado, a ferramenta accionar-se-á imediatamente, o que constitui uma premissa para acidente.
- Assegure-se da perfeição do cabo de alimentação e da ficha de tomada. Se o cabo de alimentação estiver danificado, a sua substituição tem de se fazer pelo fabricante ou por especialista na oficina de assistência autorizada por ele para evitar os perigos decorrentes dessa operação.



ADVERTÊNCIA: Sempre desconecte a ferramenta eléctrica e retire a ficha da rede de contacto ao fazer qualquer concerto, assistência ou manutenção..

- Se a zona de trabalho fica longe da fonte de alimentação, use uma extensão de compri-

mento quanto mais curto possível e de secção apropriada.

- Verifique se a manípula adicional foi correctamente colocada e bem apertada.

ARRANCO - PARAGEM

- Arranco: aperta-se o interruptor 7.
- Paragem: afrouxa-se o interruptor 7.

Ao trabalhar em ambiente de baixas temperaturas, a rotação da ferramenta eléctrica tem de começar só depois de ela ter trabalhado por volta de 3 minutos ao ralenti.



ADVERTÊNCIA: Caso a ferramenta ficar sobrecarregado em mais de 30%, acende-se o diodo vermelho 10. A ferramenta não tem de trabalhar muito tempo nesse regime.

ESCOLHA DE ROTAÇÕES, FREQUÊNCIA E ENERGIA DAS PERCUSSÕES

Girando o regulador 8, escolhem-se as rotações, a frequência e a energia adequadas das percussões de acordo com o material processado. A electrónica constante mantém as rotações, a frequência e a energia das percussões constantes, independentemente da carga, o qual garante um regime permanente durante o trabalho. É recomendável utilizar os regimes de trabalho indicados no quadro a seguir.

Área de aplicação	Posição do regulador	Velocidade de rotação	Frequência das percussões	Energia da percussão singular
Reboco / materiais de construção ligeiros	A-B	200-225 min ⁻¹	1900-2100 min ⁻¹	4 J
Tijolos / demolição de azuleho	C-D	250-275 min ⁻¹	2350-2600 min ⁻¹	6-7 J
Perfuração de concreto	E-F	300-325 min ⁻¹	2850-3050 min ⁻¹	8-9 J
Demolição de concreto	G		3300 min ⁻¹	11 J

A rotação o regulador 8 da posição A até à F provoca aumento da velocidade, da frequência e da energia das percussões. O indicador 9 acende luz verde intermitente.

Regime de trabalho ALTA POTÊNCIA (High Power) escolhe-se girando o regulador 8 para a posição G. O regime caracteriza-se pela energia aumentada da percussão até 11 J. O indicador 9 acende luz verde constante.



ADVERTÊNCIA: O Uso do regime ALTA POTÊNCIA (High Power) recomenda-se só para demolição e para trabalho de pouca duração sob regime de perfuração de percussão. O trabalho prolongado nesse último regime leva ao cansaço rápido do operador e rápido desgaste da ferramenta.

ESCOLHA DE REGIME OPERACIONAL

A comutação dos regimes de trabalho realiza-se em estado de calma.

Girar o comutador dps regimes de trabalho 6 no sentido sobre ele indicado até chegar à posição desejada:

- (1) Perfuração de percussão – para abrir buracos em alvenaria, concreto e outros materiais.
- (2) Mudança da posição do buril – para afixar a posição do instrumento na posição angular durante a demolição e a excavação (ver o ponto “Mudança da posição do buril”).
- (3) Martelo - para demolição e excavação.



ADVERTÊNCIA: Gire o comutador dos regimes de trabalho só na posição sobre ele indicada.

COLOCAÇÃO DE SDS-MAX FERRAMENTA

Limpe e lubrifique la cauda da ferramenta antes de colocá-la no encaixe!

Durante a colocação do instrumento o casquilho apertador 2 tem de se manter na posição superior (frontal).

Coloque livremente a ferramenta no fuso.

Gire a ferramenta dentro do fuso até as ranhuras coincidirem.

Depois de as ranhuras coincidirem, a ferramenta introduz-se para baixo até sentir a resistência (até ouvir o característico clique do mecanismo afixador). Verifique se o instrumento foi bem afiado puxando-o com força para fora.



ADVERTÊNCIA: Ao trabalhar com buril, o comutador 6 tem de estar sempre na posição “martelo”.

RETIRADA DE SDS-MAX FERRAMENTA

O casquilho apertador 2 puxa-se para trás até ao fim e a ferramenta retira-se.

MUDANÇA DA POSIÇÃO DO BURIL

- Coloca-se a ferramenta no encaixe tal como indicado no ponto “Colocação de SDS-max ferramenta”.

- O comutador dos regimes de trabalho 6 gira para a posição “Mudança da posição do buril”.

- A ferramenta gira-se manualmente até à posição desejada.

- O comutador dos regimes de trabalho 6 gira para a posição “martelo”, depois do qual a ferramenta tem de ser movida ligeiramente com a mão para esquerda-direita até ficar fechada.

- Maior durabilidade do perfurador e maior produtividade do trabalho podem-se conseguir só com ferramentas bem afiadas de demolição e excavação.

MANÍPULA COMPLEMENTAR

Utilize sempre a manípula complementar. Afrouxe a manípula girando-a para a esquerda. Gire a manípula para a posição de trabalho mais cómoda, depois do qual aperte-a bem. Não desloque a máquina dum lugar para outro pegando na manípula complementar quando ela está afrouxada.

Mediante a linha limitadora 4 pode-se afixar a profundidade das aberturas perfuradas. A linha limitadora 4 afixa-se com o parafuso 3.

A manípula complementar desses modelos está juntada ao corpo da ferramenta mediante elementos que apagam as vibrações, o que defende ao operador e diminui o seu cansaço durante o trabalho.

RECOMENDAÇÕES PARA O TRABALHO

Aplicar pressão moderada ao furar concreto (aproximadamente 100 - 150N). A grande pressão não aumenta a produtividade do trabalho de perfuração, mas sim diminui a vida da máquina.

De vez em quando retirar a broca do encaixe para limpar o pó.

Observar o grau de embotamento da broca e substituí-la quando se verificar diminuição considerável da produtividade.

ACESSÓRIOS QUE PODEM SER UTILIZADOS COM ESTA FERRAMENTA ELÉCTRICA

- Brocas em espiral para concreto SDS-max com diâmetro de Ø12 mm a Ø 40 mm. Recomenda-se o uso de brocas de Ø24 mm a Ø 32 mm com as quais a ferramenta fica optimizada.
- Brocas para conductos em concreto SDS-max com diâmetro até Ø55mm;
- Núcleos de perfuração SDS-max com diâmetro até Ø90 mm
- Sovelas SDS-max com comprimento até 600 mm;
- Buris SDS-max com largura até 80 mm;
- Escavadores de canais SDS-msx com largura até 32 mm.



ADVERTÊNCIA: Para o trabalho com esta ferramenta eléctrica recomendam-se as peças e os acessórios indicados. O uso de peças e acessórios diferentes dos indicados constitui premissa para acidente laboral. Use as peças e os acessórios apenas para o que forem destinados. Se precisa de informação adicional sobre esses dispositivos, dirija-se para a oficina local da SPARKY.

Manutenção



ADVERTÊNCIA: Sempre desconecte a ferramenta eléctrica e retire a ficha da rede de contacto antes de realizar qualquer revisão ou manutenção.

REVISÃO GERAL

Revise regularmente todos os elementos de suporte e convença-se de que estão bem apertados. Caso algum parafuso se tenha afrouxado, apertado imediatamente para evitar situações de risco.

Caso o cabio alimentador tenha ficado avariado, a substituição tem de se fazer pelo fabricante ou pelo seu especialista na oficina de assistência autorizada, para assim evitar os perigos decorrentes da substituição.

LIMPEZA

Em vista da segurança do trabalho, mantenha sempre limpas a máquina e as aberturas de ventilação.

Revise regularmente se na grade de ventilação perto do motor eléctrico ou ao redor dos comutadores não tenham penetrado pó ou outros corpos alheios. Use uma escova macia para limpar o pó acumulado. Para proteger os olhos, durante a limpeza use óculos protectores.

Caso o corpo da ferramenta precise de limpeza, use um pano macio úmido. Pode usar qualquer detergente fraco.



ADVERTÊNCIA: Não se admite o uso de álcool, gasolina ou outros solvents. Nunca use produtos corrosivos para limpar as partes de plástico.



ADVERTÊNCIA: Não se admite a penetração de água em contacto com a ferramenta.

ATENÇÃO! Para garantir o trabalho seguro com a ferramenta e sua maior confiança, todas as actividades de reparação, manutenção e regulação (incluindo a revisão e substituição das escovas) têm de se fazer nas oficinas autorizadas da SPARKY, utilizando só peças de sobresselente originais.

DEFESA ANTI-PO INTEGRADA

O anel protector 1 protege o encaixe da ferramenta de ser sujado durante o processo de trabalho. Ao colocar o instrumento, cuidado não danificar o anel protector.



ADVERTÊNCIA: Substituir imediatamente o anel protector, caso fique danificado!

Para substituir o anel protector 1 puxe para trás o casquilho fechador 2. Pegue no anel protector e puxe-o com força obliquamente para frente. Coloque sobre o fuso o novo anel protector levemente inclinado e apertá-lo com força.

INDICAÇÃO “ASSISTÊNCIA DE SERVIÇO”

Quando o diodo de luz vermelha 10 começar a piscar, mas a máquina continua a trabalhar normalmente, é necessário substituir as escovas. Depois de 8 horas de trabalho aproximadamente, as escovas desgastam-se completamente e entra em função o interruptor. A máquina pára, ao passo que o indicador continua a piscar com a luz vermelha. A máquina tem de ser levada para a oficina de serviço autorizada para mudança das escovas e profilaxia.

Se a máquina não funcionar antes de ter decorrido o período de alerta – 8 horas e o diodo da luz vermelha 10 continuar a piscar, isto significa que o motor eléctrico está provavelmente avariado.

Se faltar qualquer indicação luminosa e a máquina não trabalhar, isto quer dizer que falta alimentação da máquina ou o interruptor, ou o cabo de alimentação estão avariados.

REVISÃO PROFILÁCTICA

Periodicamente, o instrumento eléctrico leva-se à oficina de serviço autorizada pela SPARKY para revisão profiláctica. As revisões profilácticas não-de prolongar a vida do seu instrumento eléctrico.

Primeira revisão – depois de aproximadamente 70 horas de trabalho.

Avalia-se o funcionamento da máquina e, caso seja necessário, faz-se revisão da ferramenta eléctrica.

Segunda revisão – depois de aproximadamente 140 horas de trabalho ou depois do desgaste das escovas.

Faz-se limpeza fundamental da ferramenta eléctrica, revisão e eliminação de defeitos surgidos ou potenciais (substituem-se escovas e anéis de compactamento).

Terceira revisão – depois de aproximadamente 250 horas de trabalho ou depois do desgaste das escovas.

Faz-se limpeza fundamental da ferramenta eléctrica, revisão e eliminação de defeitos surgidos ou potenciais (substituem-se escovas e anéis de compactamento).

Quarta revisão – depois de aproximadamente 350 horas de trabalho ou depois do desgaste das escovas.

Faz-se limpeza fundamental do instrumento eléctrico, revisão e eliminação de defeitos surgidos ou potenciais (substituem-se escovas e anéis de compactamento).

Garantia

O prazo de garantia dos instrumentos eléctricos SPARKY está indicado no cartão de garantia. Problemas surgidos em resultado do desgaste natural, sobrecarga ou utilização incorrecta, ficam excluídos dos deveres da garantia. Os problemas surgidos devido ao uso de materiais de baixa qualidade e/ou erros de fabricação, eliminam-se sem pagamento adicional mediante substituição ou reparação.

Reclamação por um instrumento eléctrico SPARKY defeituoso reconhece-se quando o instrumento for devolvido ao distribuidor ou for levado a uma oficina autorizada de assistência em prazo de garantia no seu estado inicial (montado).

Observações

Leia atentamente toda a instrução para o uso, antes de começar a trabalhar com este aparelho. O fabricante reserva-se o direito de introduzir melhoras e modificações nos seus aparelhos, bem como modificar as especificações sem aviso.

As especificações podem variar de país para país.

Spis treści

Wprowadzenie	67
Dane techniczne	69
Ogólne wytyczne dotyczące bezpieczeństwa pracy narzędziami elektrycznymi.....	70
Dodatkowe wytyczne dotyczące bezpieczeństwa pracy młotami udarowo-obrotowymi.....	71
Zapoznanie z elektronarzędziem	A/73
Wytyczne pracy.....	73
Konserwacja	75
Gwarancja	77

ROZPAKOWYWANIE

Ze względu na nowoczesne metody produkcji masowej, istnieje niewielkie prawdopodobieństwo, iż zakupione przez Państwa narzędzie jest wadliwe, bądź niekompletne. W przypadku stwierdzenia jakichkolwiek nieprawidłowości, nie uruchamiać narzędzia do chwili wymiany części lub usunięcia usterki. Niezastosowanie się do tego zalecenia może skutkować poważnym uszkodzeniem ciała.

MONTAŻ

Młot udarowo-obrotowy dostarcza się w stanie opakowanym i całkowicie zmontowanym.

Wprowadzenie

Zakupione przez Państwa elektronarzędzie marki SPARKY spełni nawet najbardziej wygórowane oczekiwania użytkownika. Zostało ono wyprodukowane z zachowaniem rygorystycznych norm jakościowych SPARKY, aby zagwarantować doskonałe parametry pracy. Przekonają się Państwo, że Wasze nowe narzędzie jest łatwe i bezpieczne w obsłudze i, przy zachowaniu odpowiednich zasad użytkowania, będzie Wam niezawodnie służyć przez wiele lat.

OSTRZEŻENIE!



Prosimy o dokładne zapoznanie się z niniejszą instrukcją obsługi przed użyciem urządzenia SPARKY, zwracając szczególną uwagę na ostrzeżenia i uwagi. Dzięki swoim cechom, urządzenia SPARKY zapewniają szybką i łatwą pracę. Bezpieczeństwo, niezawodność i wydajność były priorytetami przy konstruowaniu tego urządzenia aby zapewnić łatwość obsługi oraz utrzymania.



Nie wyrzucać produktów elektrycznych razem z odpadami z gospodarstw domowych! Zużyte artykuły elektryczne nie powinny być wyrzucane wraz z odpadami z gospodarstw domowych. Należy je utylizować w przeznaczonych do tego miejscach. Informacji na temat utylizacji udzielają władze lokalne bądź sprzedawcy.

OCHRONA ŚRODOWISKA



Utylizując urządzenie, osprzęt i opakowanie należy poddać poszczególne elementy sortowaniu z myślą o ochronie środowiska naturalnego. Elementy plastikowe zostały odpowiednio oznaczone, aby umożliwić utylizację wg odpowiedniej klasyfikacji odpadów.

OPIS SYMBOLI

Na tabliczce znamionowej narzędzia mogą znajdować się symbole oznaczające ważne informacje o produkcie lub instrukcji jego użytkowania.



Podwójna izolacja zapewniająca dodatkową ochronę.



Zgodny z odpowiednimi dyrektywami europejskimi.



Urządzenie spełnia wymagania norm rosyjskich.



Zgodność z wymogami ukraińskich dokumentów normatywnych.



Patrz oryginalna instrukcja obsługi

YYYY-Www

Okres produkcji, w którym zmiennymi symbolami są:


YYYY- roku produkcji,

ww – tydzień kalendarzowy.

BP

Młot udarowo-obrotowy.

Dane techniczne

Model	BP 540CE
▪ Pobór mocy	1010 W
▪ Obroty biegu jałowego	200-325/350 min ⁻¹
▪ Regulacja elektroniczna obrotów	tak
▪ Elektronika stała	tak
▪ Zmiana kierunku obrotu	nie
▪ Zabezpieczające sprzęgło mechaniczne	tak
▪ Częstotliwość maksymalna udarów	1900 - 3050/3300 min ⁻¹
▪ Energia uderu pojedynczego (procedura EPTA 05)	4 - 7,6/8,7 J
▪ Średnica maksymalna narzędzia w betonie:	
wiertła spiralne	40 mm
wiertła otworów przelotowych	55 mm
wiertła rdzeniowe	90 mm
▪ Pozycje dłuta	24
▪ Zamocowanie elektronarzędzia	SDS-max
▪ Ciężar (procedura EPTA 01/2003)	6,0 kg
▪ Klasa ochronności (EN 60745-1) 	II

INFORMACJA O HAŁASIE I DRGANIACH

Wartości zmierzono zgodnie z EN 60745.

▪ Emisja hałasu

A- poziom zważony ciśnienia dźwiękowego L_{pA}	95,0 dB (A)
Nieokreśloność K_{pA}	3,0 dB (A)
A- poziom zważony natężenia dźwiękowego L_{WA}	106,0 dB (A)
Nieokreśloność K_{WA}	3,0 dB (A)

Stosować środki ochrony przed hałasem!

▪ Emisja drgań *

Wartość łączna drgań (suma wektorowa trzech osi), ustalona zgodnie z EN 60745:

Wiercenie udarowe w betonie	
Wartość emitowanych drgań $a_{h,HD}$	13,5 m/s ²
Nieokreśloność K_{HD}	1,5 m/s ²
Kruszenie	
Wartość emitowanych drgań $a_{h,CHeq}$	11,5 m/s ²
Nieokreśloność K_{CHeq}	1,5 m/s ²

* Drgania ustalono zgodnie z pkt. 6.2.7 normy EN 60745.

Podany w niniejszej instrukcji poziom drgań został zmierzony zgodnie z określoną przez normę EN 60745 procedurą i może być używany do porównywania urządzeń. Może być stosowany do wstępnego określenia ekspozycji.

Deklarowany poziom emisji drgań odnosi się do głównego zastosowania urządzenia. Jeżeli urządzenie zostanie przeznaczone do innych zastosowań, z innym osprzętem lub nie będzie należycie konserwowane, poziom emisji wibracji może się różnić. Może to znacznie zwiększyć poziom ekspozycji w łącznym czasie pracy.

Aby dokładnie określić poziom ekspozycji na drgania, należy także brać pod uwagę okresy gdy urządzenie jest wyłączone, lub gdy nawet jest włączone, ale nie wykorzystywane do pracy. Może to znacznie obniżyć poziom ekspozycji na drgania w łącznym czasie pracy.

Chroń urządzenie oraz osprzęt oraz dbać o zapewnienie ciepła dłoniom podczas pracy w celu obniżenia szkodliwego wpływu drgań.

Pył z takich materiałów jak np. farba zawierająca ołów, niektóre gatunki drewna, minerały oraz metal może być szkodliwy. Kontakt lub inhalacja pyłów może spowodować reakcje alergiczne i/lub choroby układu oddechowego u operatora lub osób znajdujących się w bezpośredniej bliskości.

Pewne odmiany pyłów sklasyfikowane są jako rakotwórcze np. pył dębowy czy bukowy w szczególności w połączeniu z dodatkami zawierającymi chromaty i środki konserwujące. Materiały zawierające azbest mogą być obrabiane jedynie przez specjalistów.

- Tam gdzie możliwe jest stosowanie odciągu pyłów należy je stosować.
 - Aby uzyskać wysoką skuteczność odciągu pyłów, stosować odkurzacz do drewna lub do drewna i minerałów wraz z niniejszym urządzeniem.
 - Miejsce pracy musi być dobrze wentylowane.
 - Zaleca się stosowanie maski p.pyłowej lub filtrów klasy P2.
- Przestrzegać przepisów krajowych odnośnie obrabianych materiałów.

Ogólne wytyczne dotyczące bezpieczeństwa pracy narzędziami elektrycznymi



OSTRZEŻENIE: Należy zapoznać się z niniejszą ogólną instrukcją bezpieczeństwa oraz całą instrukcją obsługi. Nie przestrzeganie niniejszych instrukcji może spowodować porażenie prądem, pożar i/lub poważne obrażenia.

Zachować niniejsze instrukcje na przyszłość.

Określenie „elektronarzędzie” odnosi się zarówno do urządzeń zasilanych z sieci (przewodowych) jak i zasilanych bateriami (bezprowadowych).

1) Bezpieczeństwo w miejscu pracy

- a) Miejsce pracy musi być zawsze dobrze oświetlone i czyste. Niedoświetlenie oraz nieład mogą być przyczyną wypadków.
- b) Nie należy używać urządzenia w obecności palnych płynów, gazów i pyłów. Podczas pracy urządzenia powstają iskry, które mogą zapalić pyły lub opary.
- c) Dzieci i osoby postronne nie powinny znajdować się w miejscu pracy elektronarzędziami. Brak skupienia może spowodować utratę kontroli nad urządzeniem.

2) Bezpieczeństwo elektryczne

- a) Wtyczka urządzenia musi pasować do gniazda zasilającego. Nie wolno modyfikować wtyczki w jakikolwiek sposób. Nie stosować żadnych adapterów w przypadku elektronarzędzi wymagających uziemienia. Nie modyfikowane wtyczki oraz gniazda zasilające redukują ryzyko porażenia prądem.
- b) Unikać kontaktu z uziemionymi przedmiotami takimi jak, rury, grzejniki, piece i lodówki. Ryzyko porażenia prądem

wzrasta gdy ciało użytkownika zostanie uziemione.

- c) Nie narażać urządzenia na kontakt z deszczem lub wilgocią. Woda wnikać do urządzenia zwiększa ryzyko porażenia prądem.
 - d) Traktować przewód zasilający zgodnie z przeznaczeniem. Nigdy nie stosować przewodu do przenoszenia, przeciągania lub odłączania urządzenia od zasilania. Chronić przewód przed źródłem ciepła, olejami, przedmiotami o ostrych brzegach, ruchomymi częściami urządzeń. Uszkodzony lub splełany przewód zwiększa ryzyko porażenia prądem.
 - e) Podczas pracy na zewnątrz należy zawsze stosować odpowiedni przewód przedłużający przystosowany do pracy na zewnątrz. Stosowanie przewodu przeznaczonego do pracy na zewnątrz zmniejsza ryzyko porażenia prądem.
 - f) Jeżeli nie ma możliwości uniknięcia pracy elektronarzędziem w wilgotnym środowisku, należy stosować zasilanie wyposażone w wyłącznik różnicowoprądowy. Stosowanie wyłącznika różnicowoprądowego redukuje ryzyko porażenia prądem.
- ### 3) Bezpieczeństwo osobiste
- a) Zawsze należy pracować w należyтым skupieniu i kierować się rozsądkiem. Nie używać urządzenia będąc zmęczonym lub pozostając pod wpływem narkotyków, alkoholu lub będąc w trakcie leczenia. Chwila nieuwagi podczas pracy urządzeniem może być przyczyną poważnych uszkodzeń ciała.
 - b) Stosować wyposażenie ochronne. Zawsze używać ochrony oczu. Wyposażenie takie jak maska p.pyłowa, buty na podszewie antypoślizgowej, kask, ochronniki słuchu, stosowane w odpowiednich warunkach, redukuje zagrożenie uszkodzenia ciała.
 - c) Unikać przypadkowego włączenia urządzenia. Upewnić się, że wyłącznik znajduje

się w położeniu „wylączony” przed podłączeniem urządzenia do źródła zasilania lub baterii. Przenoszenie urządzenia trzymając za włącznik lub podłączając je do zasilania z włącznikiem w pozycji: „włączone” może być przyczyną wypadków.

- d) Usunąć wszelkie klucze przed włączeniem urządzenia. Pozostawienie klucza w rotującej części urządzenia może spowodować obrażenia ciała.
 - e) Nie przeceniać własnych możliwości. Zawsze dbać o odpowiednie oparcie dla nóg oraz balans. Zapewni to lepszą kontrolę w nieoczekiwanych sytuacjach.
 - f) Stosować odpowiednie ubranie. Nie nosić luźnych ubrań ani biżuterii. Nie zbliżać włosów, ubrania ani rękawic roboczych do ruchomych części urządzenia. Luźne ubranie, biżuteria lub długie włosy mogą utknąć w ruchomych częściach urządzenia.
 - g) Jeśli urządzenie jest wyposażone w adapter odprowadzania pyłów, należy sprawdzić czy jest odpowiednio podłączony i używany. Stosowanie systemu odprowadzania pyłów może obniżyć niebezpieczeństwa związane z pyleniem.
- 4) Używanie i konserwacja urządzenia
- a) Nie przeciążać urządzenia. Stosować odpowiednie urządzenie do każdej pracy. Należy używać dobrane urządzenie wykona pracę lepiej i bezpieczniej w trybie do jakiego zostało zaprojektowane
 - b) Nie używać urządzenia jeśli włącznik nie działa. Każde urządzenie z uszkodzonym włącznikiem jest niebezpieczne i musi zostać naprawione.
 - c) Zawsze należy odłączyć urządzenie od zasilania lub odłączyć baterie przed zmianą ustawień, wymianą akcesoriów lub odłożeniem po pracy. Takie działanie zmniejszy ryzyko przypadkowego włączenia urządzenia.
 - d) Nieużywane urządzenie należy chronić przed dziećmi oraz nie zezwalać niepowołanym osobom nie znającym tego urządzenia lub niniejszej instrukcji na pracę tym urządzeniem. Elektronarzędzia są niebezpieczne w rękach nie przeszkolonych osób.
 - e) Konserwować elektronarzędzia. Sprawdzić połączenia części ruchomych, ewentualne uszkodzenia oraz inne czynniki mogące mieć wpływ na działanie urządzenia. W przypadku stwierdzenia uszkodzenia należy naprawić urządzenie

nie przed dalszym użytkowaniem. *Wiele wypadków spowodowanych jest nienależytą konserwacją urządzenia.*

- f) Narzędzia tnące zawsze muszą być ostre. Odpowiednio konserwowane narzędzia tnące z ostrymi krawędziami rzadziej się zacinają w obrabianym materiale i są łatwiejsze w obsłudze.
 - g) Niniejsze urządzenie oraz osprzęt do niego muszą być używane zgodnie z niniejszą instrukcją obsługi oraz w zakresie przewidzianym dla danego typu urządzenia. Zawsze należy brać pod uwagę rodzaj pracy do wykonania oraz warunki panujące w miejscu pracy. Użycie elektronarzędzi do celów innych niż opisane w niniejszej instrukcji obsługi może spowodować niebezpieczne sytuacje.
- 5) Serwis
- a) Niniejsze urządzenie należy serwisować wyłącznie w wykwalifikowanych serwisach z wykorzystaniem oryginalnych części zamiennych. Takie postępowanie zapewni należyte bezpieczeństwo elektronarzędzia.

Dodatkowe wytyczne dotyczące bezpieczeństwa pracy młotami udarowymi



Używając młota nosić nauszники ochronne. Używając młota nosić nauszники ochronne.

- Stosować uchwyt dodatkowy dostarczany z urządzeniem. Utrata kontroli nad narzędziem może skutkować obrażeniami ciała.



Podczas eksploatacji zapewnić ochronę oczu, aby zapobiec wystawianiu oczu na latające cząstki urobku.. Nosić okulary ochronne.



Przedsięwziąć środki ostrożności zapobiegające wdychaniu pyłu. Niektóre materiały mogą zawierać składniki toksyczne. Nosić maskę przeciwpyłową i w miarę możliwości stosować urządzenie odpylające.

- Podczas prac, przy których elektronarzędzie mogłyby natrafić na ukryte przewody elektryczne lub na własny przewód, nale-

ży je trzymać tylko za izolowaną rękkość.

Pod wpływem kontaktu osprzętu z przewodami będącymi pod napięciem, wszystkie części metalowe elektronarzędzia mogą również znaleźć się pod napięciem i spowodować porażenie prądem operatorem.

- Należy poddawać obróbce materiały zawierające azbest. Azbest jest uważany za materiał rakotwórczy..



OSTRZEŻENIE: Przed podłączeniem elektronarzędzia do źródła zasilania upewnić się, że jego napięcie odpowiada wartości określonej na tabliczce znamionowej narzędzia.

- Źródło zasilania o napięciu przekraczającym wartość uwidocznioną na narzędziu może spowodować poważne obrażenia użytkownika, jak również uszkodzenie narzędzia.
- W przypadku wątpliwości, nie podłączać narzędzia do źródła zasilania.
- Używanie źródła zasilania o napięciu niższym niż wartość określona na tabliczce znamionowej jest szkodliwe dla silnika urządzenia.
- Używając przedłużacza na bębnie, należy całkowicie rozwinąć kabel na bębnie, aby uniknąć potencjalnego przegrzania przewodu zasilającego.
- W przypadku konieczności zastosowania przedłużacza, należy upewnić się, że przewód posiada odpowiednią dla używanego elektronarzędzia wartość znamionową natężenia prądu i jego stan gwarantuje bezpieczeństwo elektryczne.



OSTRZEŻENIE: Przed dokonywaniem jakichkolwiek regulacji czy czynności serwisowych lub konserwacyjnych, należy zawsze wyłączyć elektronarzędzie i odłączyć je od źródła zasilania.

- Obsługując urządzenie należy zawsze trzymać je mocno w obydwu rękach i zapewnić zachowanie bezpiecznej pozycji pracy. Utrata kontroli nad narzędziem może skutkować obrażeniami ciała.
- Przed przystąpieniem do pracy użyć odpowiednich przyrządów w celu określenia, czy w miejscu pracy nie znajdują się ukryte przewody zasilające, lub też zwrócić się do dostawcy mediów o pomoc w tym zakresie. Kontakt z linią elektryczną może prowadzić do powstania pożaru i porażenia prądem. Uszkodzenie

instalacji gazowe grozi wybuchem. Przebiecie instalacji wodno-kanalizacyjnej powoduje powstanie szkód w mieniu lub może skutkować porażeniem prądem.

- Zawsze trzymać kabel zasilający z dala od miejsca pracy elektronarzędzia.
- Nigdy nie korzystać z elektronarzędzia, którego przewód zasilający jest uszkodzony. Nie dotykać uszkodzonego przewodu, lecz natychmiast odłączyć urządzenie od źródła zasilania. Uszkodzone przewody stwarzają ryzyko porażenia prądem.
- Zawsze dbać o stabilną postawę. Upewniać się, czy nikogo nie ma pod spodem gdy pracujemy na podwyższeniu.
- Zawsze, gdy tylko to jest możliwe, stosować zaciski lub imadła do zabezpieczania obrabianego elementu.
- Uważać na moment początkowy urządzenia lub przy zablokowaniu wiertła. Natychmiast wyłączyć urządzenie po zablokowaniu wiertła. Uważać na wysoki moment reakcji, który może spowodować odbicie. Wiertło zablokuje się w przypadku przecięcia lub utkwienia w materiale.
- Nie dotykać wiertła bądź obrabianego materiału podczas pracy i bezpośrednio potem; mogą one być rozgrzane do bardzo wysokiej temperatury. Można doznać poważnych poparzeń.
- Zachować porządek w miejscu pracy. Szczególnie niebezpieczne są materiały mieszane. Pył z lekkich stopów może się zapalić lub eksplodować.
- Szmaty, ubrania, przewody, druty nie powinny być pozostawiane w miejscu pracy.
- Zawsze wyłączać elektronarzędzie zanim zostanie odłożone.
- Urządzenie wolno używać wyłącznie zgodnie z przeznaczeniem. Każde zastosowanie inne, niż wymienione w niniejszej instrukcji obsługi będzie traktowane jako użycie niezgodne z przeznaczeniem. Użytkownik a nie producent będzie odpowiedzialny za wszelkie zniszczenia bądź obrażenia wynikłe z przypadku użycia niezgodnego z przeznaczeniem.
- Aby właściwie eksploatować narzędzie, należy przestrzegać zasad bezpieczeństwa i higieny pracy, instrukcji montażu i obsługi zawartych w niniejszym dokumencie. Wszystkie osoby użytkujące i serwisujące urządzenie muszą zapoznać się z niniejszą Instrukcją obsługi i mieć świadomość potencjalnych zagrożeń. Dzieciom i osobom o niewielkiej sile fizycznej nie wolno używać tego narzędzia. Należy zapewnić stały nadzór nad dziećmi

przebywającymi w pobliżu miejsca, gdzie narzędzie jest używane. Istnieje także obowiązek przestrzegania obowiązujących lokalnych przepisów w zakresie zapobiegania wypadkom. To samo odnosi się do ogólnych zasad bezpieczeństwa i higieny pracy.

- Producent nie ponosi odpowiedzialności za jakiegokolwiek modyfikacje narzędzia ani za jakiegokolwiek szkody powstałe w wyniku takich modyfikacji.
- Elektronarzędzi nie wolno używać poza mieszczeniem w warunkach padającego deszczu bądź wilgotnym otoczeniu (po deszczu) lub też w pobliżu palnych cieczy i gazów. Miejsce pracy powinno być dobrze oświetlone.



OSTRZEŻENIE: Podczas pracy dłutem, przełącznik 4 powinien być zawsze w pozycji "młot"!

Zapoznanie z elektronarzędziem

Przed rozpoczęciem pracy elektronarzędziem należy zapoznać się wszystkimi szczegółami operacyjnymi i warunkami bezpieczeństwa. Używać elektronarzędzia i osprzętu wyłącznie zgodnie z ich przeznaczeniem. Każde inne zastosowanie jest stanowczo zakazane.

1. Pierścień bezpieczeństwa
2. Złącze zamykające
3. Wkręt
4. Linia ograniczająca
5. Otwory wentylacyjne
6. Przełącznik trybów pracy
7. Wyłącznik
8. Regulator częstotliwości obrotu
9. Wskaźnik trybów
10. Wskaźnik zużycia szczotek i przeciążenia
11. Otwory wentylacyjne
12. Rękojeść dodatkowa

VWskazówki pracy

Niniejsze elektronarzędzie zasilane jest tylko jednofazowym napięciem zmiennym. Nadaje się do podłączenia do gniazd bez zacisków ochronnych, ponieważ posiada podwójną izolację zgodnie z EN 60745-1 i IEC 60745. Zakłócenia radiowe odpowiadają wymogom Dyrektywy dotyczącej kompatybilności elektromagnetycznej 2004/108/WE.

Niniejsze elektronarzędzie przeznaczone jest do wiercenia udarowego, rozbijania i kruszenia w murowaniu, betonie i skałach o dużej wydajności.



Elektronarzędzie zaopatrzone w mechanizm redukcji drgań obniżając je do ponad 50%.

PRZED PRZYSTĄPIENIEM DO PRACY

- Sprawdzić, czy napięcie sieci elektrycznej odpowiada wartości napięcia podanej na tabliczce znamionowej elektronarzędzia.
- Sprawdzić w jakim położeniu jest przełącznik. Elektronarzędzie należy podłączać i wyłączać z sieci zasilania tylko przy wyłączonym wyłączniku. W razie włączenia wtyczki do gniazda, gdy wyłącznik jest w stanie włączonym, wówczas elektronarzędzie natychmiast zostaje uruchomione, co może doprowadzić do wypadku.
- Upewnić się co do sprawności kabla zasilania i wtyczki. W razie uszkodzenia kabla zasilania, wymiany należy dokonać producent lub jego specjalista, aby uniknąć ewentualnych niebezpieczeństw podczas wymiany.



OSTRZEŻENIE: Zawsze wyłączać elektronarzędzie i wyjmować wtyczkę z gniazda zasilania przed dokonaniem jakiegokolwiek czynności w zakresie nastawienia, obsługi lub konserwacji.

- Jeżeli strefa pracy oddalona jest od źródła zasilania należy używać możliwie krótszy przedłużacz o odpowiednim przekroju.
- Sprawdzić, czy rękojeść dodatkowa została ustawiono prawidłowo i niezawodnie zamocowana.

ROZRUCH - ZATRZYMANIE

- Rozruch: wyłącznik 7 wcisnąć i zatrzymać.
- Zatrzymanie: wyłącznik 7 zwolnić.

W niskich temperaturach kruszenie elektronarzędziem należy rozpocząć dopiero po pracy na biegu jałowym przez około 3 minut.



OSTRZEŻENIE: Przy przeciążeniu elektronarzędzia o 30%, świeci czerwona dioda LED 10. Elektronarzędzie nie powinno pracować przez dłuższy czas w tym trybie pracy.

DOBÓR PRĘDKOŚCI, CZĘSTOTLIWOŚCI I ENERGII UDARÓW

Obracając regulator 8 dobrać właściwą prędkość, częstotliwość i energię uderów w zależności od obrabianego materiału. Elektronika stała utrzymuje prędkość, częstotliwość i energii uderów stale, niezależnie od obciążenia, co zapewnia jednakowy tryb pracy. Zaleca się stosowanie wartości zawartych w tablicy trybów pracy.

Zakres stosowania	Pozycja regulatora	Prędkość obrotowa	Częstotliwość uderów	Energia uderu pojedynczego
Tynk / lekkie materiały budowlane	A-B	200-225 min ⁻¹	1900-2100 min ⁻¹	4 J
Cegły / kruszenie płytek	C-D	250-275 min ⁻¹	2350-2600 min ⁻¹	6-7 J
Wiercenie w betonie	E-F	300-325 min ⁻¹	2850-3050 min ⁻¹	8-9 J
Kruszenie w betonie	G		3300 min ⁻¹	11 J

Obrót regulatora 8 z pozycji A do F powoduje wzrost prędkości, częstotliwości i energii uderów. Wskaźnik 9 świeci migającym światłem zielonym.

Tryb pracy UDAR MOCNY (High Power) wybiera się obracając i ustawiając regulator 8 w pozycji G. Tryb pracy charakteryzuje się wzrostem energii uderu do 13 J. Wskaźnik 9 świeci stałym światłem zielonym.



OSTRZEŻENIE: Korzystanie z trybu UDAR MOCNY (High Power) zaleca się tylko dokruszenia i przy krótkotrwałej pracy w trybie wiercenia uderowego. Przedłużająca się praca w trybie wiercenia uderowego powoduje szybkie zmęczenie operatora i przyspieszone zużycie elektronarzędzia.

DOBÓR TRYBU PRACY

Przełączenie trybów pracy odbywa się przy zatrzymanym narzędziu..

Niniejszy młot udarowo-obrotowy używany jest w dwóch trybach pracy:

- Wiercenie udarowe - do wiercenia otworów w murowaniu, betonie i innych materiałach.
- Tryb udarowy - do kruszenia i dłubania. Do pracy bez zmęczenia przy kruszeniu i dłutowaniu, elektronarzędzie można ustawić i unieruchomić (przez 8 stopni) w pożądanym położeniu kątowym (zob. punkt "Zmiana pozycji dłuta"). Obrócić przełącznik trybów pracy 6 w pożądanym położeniu:

- (1) - Wiercenie udarowe
- (2) - Zmiana pozycji dłuta
- (3) - Kruszenie

ZAKŁADANIE PRZYRZĄDU Z KOŃCÓWKĄ SDS-MAX

Oczyścić i nasmarować końcówkę narzędzia przed jego ustawieniem do gniazda!

Podczas zakładania narzędzia złącze zamyka-

jące 2 trzymać w pozycji górnej (przedniej). Swobodnie założyć narzędzie do wrzeciona. Obracając narzędzie w wrzecionie aż wycięcia weszły w rowki.

Po dopasowaniu wycięć, narzędzie wprowadza się w dół do oporu (do usłyszenia wyraźnego zatrzaśnięcia mechanizmu ustalającego). Sprawdzić, czy narzędzie zostało dobrze zamocowane pociągając je w tym celu mocno na zewnątrz.



OSTRZEŻENIE: Przy pracy dłutem, przełącznik 6 zawsze musi być w pozycji „młot”.

ZDEJMOWANIE PRZYRZĄDU SDS-MAX

Złącze zamykające 2 wyciągnąć do tyłu do końca i wyjąć przyrząd.

ZMIANA POZYCJI DŁUTA

- Ustawić elektronarzędzie w gnieździe zgodnie z opisem w punkcie "Zakładanie narzędzia SDS-max".
- Przełącznik trybów pracy 6 obraca się w pozycji "Zmiana pozycji dłuta" (w pozycji pośredniej o ±90° względem obu trybów roboczych).
- Narzędzie obraca się ręką do pożądanego położenia.
- Przełącznik trybów pracy 6 obraca się w poży-

cji "młot", następnie narzędzie należy obracać lekko ręką w lewo - w prawo do jego zamknięcia.

Dłuższą żywotność młota udarowo-obrotowego oraz wyższą wydajność uzyskuje się tylko stosując dobrze naostrzone narzędzia do kruszenia i dłutowania.

RĘKOJEŚĆ DODATKOWA


Używać zawsze rękojeści dodatkowej. Rozluźnić rękojeść odkręcając ją w lewo. Obrócić rękojeść w najwygodniejszej pozycji roboczej, następnie dokręcić ją mocno. Nie nosić elektronarzędzia za rękojeść dodatkową, gdy jest w stanie rozluźnionym. Za pomocą linii ograniczającej 4 można ustalić głębokość wywiercanych otworów. Linia ograniczająca 4 ustala się wkrętem 3. Rękojeść dodatkowa tych modeli połączona jest z obudową elektronarzędzia za pomocą elementów tłumiących drgania, co chroni operatora i zmniejsza zmęczenie przy pracy.

PORADY DOTYCZĄCE PRACY


Stosować umiarkowany nacisk podczas wiercenia w betonie (w przybliżeniu 150 - 200N). Większy nacisk nie podwyższa wydajności pracy podczas wiercenia, a powoduje skrócenie żywotności elektronarzędzia. Od czasu do czasu wyjmować wiertło z otworu i usuwać pył. Uważać na stopień stępienia wiertła oraz wymienić je po stwierdzeniu znacznego zmniejszenia wydajności pracy.

PRZYRZĄDY WSPÓLPRACUJĄCE Z TYM ELEKTRONARZĘDZIEM

- Wiertła spiralne do betonu SDS-max o średnicy od Ø12 do Ø50 mm. Zaleca się stosowanie wiertła od Ø24 do Ø40 mm, do współpracy z którymi elektronarzędzie zostało zoptymalizowane.
- Wiertła do otworów przelotowych (wiertła "break-through") do betonu SDS-max o średnicy do Ø100 mm
- Szydła SDS-max o średnicy do 600 mm
- Dłuta SDS-max o szerokości do 80 mm
- Koparki rowek SDS-max o szerokości do 32 mm

 **OSTRZEŻENIE:** Do pracy niniejszym elektronarzędziem zaleca się stosowanie wyżej wymienionego osprzętu. Stosowanie osprzętu odmiennego od wskazanego może spowodować wypadek przy pracy. Używać osprzętu tylko zgodnie z jego przeznaczeniem. O dodatkową informację na temat osprzętu można się zwrócić do miejscowego serwisu SPARKY.

Konserwacja


 **OSTRZEŻENIE:** Zawsze wyłączać elektronarzędzie i wyjmować wtyczkę z gniazda sieci przed dokonywaniem jakichkolwiek zabiegów kontrolnych lub konserwacyjnych.

OGÓLNE SPRAWDZENIE

Sprawdzać regularnie wszystkie elementy mocujące i upewnić się, że zostały mocno dokręcone. W przypadku obluźnienia jakiegos wkrętu, należy go niezwłocznie dokręcić mocno, by uniknąć sytuacji ryzykownych. W razie uszkodzenia kabla zasilania, wymianę należy wykonać producent lub jego autoryzowany specjalista w celu uniknięcia ewentualnych komplikacji w wyniku wymiany.

CZYSZCZENIE

Dla bezpiecznej pracy należy zawsze utrzymywać w czystości elektronarzędzie i otwory wentylacyjne. Sprawdzając regularnie, czy w kracie wentylacyjnej blisko silnika elektrycznego lub w okolicy przełączników nie przedostał się pył lub obce wtrącenia. Używać miękkiego pędzla la usuwania nagromadzonego pyłu. W celu ochrony oczu podczas czyszczenia zakładać okulary ochronne. Gdy należy czyścić obudowę elektronarzędzia, wytrzeć go należy miękką ściereką nawilżoną. Można stosować także łagodny środek do mycia.

 **OSTRZEŻENIE:** Nie wolno stosować spirytusu, benzyny lub innych rozpuszczalników. Nigdy nie stosować środków żrących do czyszczenia części plastikowych.



OSTRZEŻENIE: Nie wolno dopuścić do przedostania się wody do elektronarzędzia.

UWAGA! W celu zapewnienia bezpiecznej pracy elektronarzędziem i jego niezawodności, wszelkie czynności naprawcze, konserwacyjne i regulacyjne (w tym kontrola i wymiana szczotek) należy wykonywać w autoryzowanych serwisach naprawczych SPARKY używając wyłącznic oryginalnych części zamiennych.

WBUDOWANA OCHRONA PRZECIWPYŁOWA

Pierścień zabezpieczający 1 chroni gniazdo narzędzia przed zanieczyszczeniem podczas pracy. Przy zakładaniu narzędzia uważać by nie uszkodzić pierścienia zabezpieczającego.



OSTRZEŻENIE: Niezwłocznie wymienić pierścień zabezpieczający w razie uszkodzenia!

W celu wymiany pierścienia zabezpieczającego 1 pociągnąć do tyłu złącze zamykające 2. Uchwycić pierścień zabezpieczający i przesunąć go mocno ukośnie do przodu. Założyć na wrzeciono lekko nachylony nowy pierścień zabezpieczający i mocno go nacisnąć.

INDYKACJA “OBSŁUGA SERWISOWA”

Gdy czerwona dioda LED 10 zacznie migać, a elektronarzędzie w dalszym ciągu pracuje normalnie, należy wymienić szczotki. Po mniej więcej 8 godzinach pracy szczotki ulegają całkowitemu zużyciu i zostaje uruchomiony wyłącznik. Elektronarzędzie zatrzymuje się, a wskaźnik świetlny w dalszym ciągu miga światłem czerwonym. Oddać elektronarzędzie do wymiany szczotek i dokonania przeglądu profilaktycznego w autoryzowanym serwisie.

Jeżeli elektronarzędzie nie pracuje bez ostrzegawczego okresu 8-godzinnego, a czerwona dioda LED 10 nadal miga, oznacza to, że silnik elektryczny prawdopodobnie jest uszkodzony. Jeżeli nie ma żadnej indykacji świetlnej i elektronarzędzie nie pracuje, oznacza to, że brak zasilania elektronarzędzia, lub wyłącznik bądź sznur zasilający są uszkodzone.

PRZEGLĄD PROFILAKTYCZNY

Elektronarzędzia okresowo kierować do autoryzowanego serwisu SPARKY dla przeprowadzenia przeglądu profilaktycznego. Przeglądy profilaktyczne wydłużają żywotność waszego elektronarzędzia.

Przegląd pierwszy – w przybliżeniu po 70 godzinach pracy.

Dokonać oceny funkcjonowania elektronarzędzia, a razie potrzeby dokonać przeglądu elektronarzędzia.

Przegląd drugi – w przybliżeniu po 140 godzinach pracy lub po zużyciu szczotek.

Dokonać podstawowego czyszczenia elektronarzędzia, przeglądu oraz usuwania powstałych lub potencjalnych usterek (wymienić szczotki i pierścienie uszczelniające).

Przegląd trzeci – w przybliżeniu po 250 godzinach pracy lub po zużyciu szczotek.

Dokonać podstawowego czyszczenia elektronarzędzia, przeglądu oraz usuwania powstałych lub potencjalnych usterek (wymienić szczotki i pierścienie uszczelniające).

Przegląd czwarty - w przybliżeniu po 350 godzinach pracy lub po zużyciu szczotek.

Dokonać podstawowego czyszczenia elektronarzędzia, przeglądu oraz usuwania powstałych lub potencjalnych usterek (wymienić szczotki i pierścienie uszczelniające).

Gwarancja

Okres gwarancji elektronarzędzi SPARKY jest określony w karcie gwarancyjnej produktu.

Usterki spowodowane normalnym zużyciem, przeciążeniem lub niewłaściwą obsługą, nie podlegają gwarancji.

Uszkodzenia wynikłe z wady materiałowej lub błędów produkcyjnych zostaną usunięte bezpłatnie w drodze naprawy lub wymiany urządzenia.

Reklamacje uszkodzonych urządzeń SPARKY zostaną rozpatrzone jeśli zostaną dostarczone w stanie w jakim stwierdzono wadę, nie rozmontowane, wraz z dokumentem zakupu i kartą gwarancyjną do autoryzowanego serwisu lub punktu sprzedaży.

Informacja

Przed użyciem należy dokładnie przeczytać niniejszą instrukcję.

Narzędzia SPARKY są stale ulepszane w związku z tym otrzymany produkt może nieznacznie różnić się od tego ukazanego w niniejszej instrukcji. Producent zapewnia sobie prawo do wprowadzania zmian bez uprzedzenia.

Specyfikacja może się różnić w zależności od kraju.

Содержание

Введение.....	78
Технические данные	80
Общие указания по технике безопасности при работе с электроинструментами.....	81
Дополнительные указания по технике безопасности при работе с перфораторами	83
Знакомство с электроинструментом.....	A/84
Указания по работе	85
Обслуживание	87
Гарантия.....	89

РАСПАКОВКА

В соответствие с общепринятыми технологиями крупносерийного производства, почти не существует риска поломки Вашего электроинструмента, или отсутствия какой-либо из его частей. Если вы все же установите повреждение, не используйте электроинструмент до тех пор, пока дефектная часть не будет заменена, а неисправность - устранена. Нарушение этой рекомендации может привести к серьезному трудовому инциденту.

СБОРКА

Перфоратор поставляется в упаковке, в полностью собранном виде..

Введение

Новоприобретенный Вами электроинструмент SPARKY превзойдет Ваши ожидания. Его производство подчиняется высоким стандартам качества SPARKY, отвечающим строгим требованиям потребителя. Удобный для обслуживания и безопасный в эксплуатации, этот электроинструмент при правильном употреблении будет служить безотказно долгие годы.

ПРЕДОСТЕРЕЖЕНИЕ!



Прочтите внимательно и целиком инструкцию по эксплуатации перед использованием новоприобретенного электроинструмента SPARKY. Обратите специальное внимание на параграфы, обозначенным словом "Предостережение". У Вашего электроинструмента SPARKY много качеств, которые облегчают работу. При разработке этого инструмента основное внимание было направлено на безопасность, эксплуатационные качества и надежность, которые облегчают его обслуживание и эксплуатацию.



Не выбрасывать электроинструменты вместе с бытовыми отбросами!

Отбросы электрических изделий нельзя собирать вместе с бытовыми отбросами. Они должны быть рециклированы на местах, предназначенных специально для этих целей. Просим обратиться к местным властям или к нашему представителю для получения информации насчет рециклирования.

ЗАЩИТА ОКРУЖАЮЩЕЙ СРЕДЫ



Для предохранения окружающей среды электроинструменты, принадлежности и упаковки должны быть переработаны подходящим образом для повторно использования содержащихся в них материалов. Для облегчения процесса рециклирования детали, сделанные из искусственных материалов, обозначены соответствующим способом.

ОПИСАНИЕ СИМВОЛОВ

На табличке с данными электроинструмента нанесены специальные символы, содержащие важную информацию о продукте или инструкции по использованию.



Двойная изоляция для дополнительной защиты.



Соответствует релевантным европейским директивам.



Соответствует требованиям российским нормативным документам.



Соответствует требованиям украинским нормативным документам.




Ознакомьтесь с инструкцией по эксплуатации.

YYYY-Www Период производства, где переменные символы означают:
YYYY - год производства,
ww – очередная календарная неделя.

BP Электронный перфоратор.

Технические данные

Модель	BP 540CE
▪ Потребляемая мощность	1010 W
▪ Частота вращения при холостом ходе	200-325/350 min ⁻¹
▪ Электронное регулирование оборотов	да
▪ Константная электроника	да
▪ Смена направления вращения	не
▪ Предохранительный механический соединитель	да
▪ Макс. частота ударов	1900-3050/3300 min ⁻¹
▪ Энергия единичного удара (ЕРТА процедура 05)	4 - 7,6/8,7 J
▪ Макс. диаметр инструмента в бетоне:	
спиральные сверла	40 mm
сверла для проходных отверстий	55 mm
бурильные коронки	90 mm
▪ Позиции долота	24
▪ Закрепление инструмента	SDS-max
▪ Вес (ЕРТА процедура 01/2003)	6,0 kg
▪ Класс защиты (EN 60745-1) 	II

ИНФОРМАЦИЯ О ШУМЕ И ВИБРАЦИИ

Значения, замеренные согласно EN 60745.

• Уровень шума

A-взвешенный уровень звукового давления L _{рА}	95,0 dB (A)
Неопределенность K _{рА}	3,0 dB (A)
A-взвешенный уровень звуковой мощности L _{wА}	106,0 dB (A)
Неопределенность K _{wА}	3,0 dB (A)

Используйте средства для защиты от шума!

• Излучение вибраций *

Суммарные значения вибраций (векторная сумма трех направлений) определенные в соответствии с EN 60745:

Ударное сверление по бетону	
Значение излученных вибраций a _{h,HD}	13,5 m/s ²
Неопределенность K _{HD}	1,5 m/s ²
Долбление	
Значение излученных вибраций a _{h,CHeq}	11,5 m/s ²
Неопределенность K _{CHeq}	1,5 m/s ²

* Уровень вибраций определен согласно п. 6.2.7 EN 60745.

Указанный в настоящую инструкцию уровень вибраций измерен в соответствии с установленную EN 60745 методику испытаний и может использоваться для сравнения электроинструментов. Уровень вибраций может использоваться для предварительной оценки воздействия.

Указанный уровень вибраций дан при условии использования инструмента по его прямому назначению. В тех случаях, когда электроинструмент используется для других целей, с другими принадлежностями, уровень вибраций может отличаться от указанного. В этих случаях уровень воздействия может значительно возрасти в рамках общего периода работы.

Для точной оценки воздействия вибраций во время определенного периода работы необходимо учитывать промежутки времени, в которые электроинструмент выключен, либо хотя и включен, но фактически не используется. Это может существенно сократить воздействия вибраций в течение всего периода работы.

Сохраняйте электроинструмент и его принадлежности в хорошем состоянии. Во время работы старайтесь сохранять руки теплыми - это поможет уменьшить вредное воздействие при работе с повышенной вибрацией.

Пыль материалов, как с краски с содержанием свинца, некоторых сортов древесины, минералов и металла может быть вредной для здоровья. Прикосновение к пыли и попадание пыли

в дыхательные пути может вызвать аллергические реакции и/или заболевания дыхательных путей оператора или находящегося вблизи персонала.

Определенные виды пыли, как из дуба и бука, считаются канцерогенными, особенно, совместно с присадками для обработки древесины (хромат, средство для защиты древесины). Материал с содержанием асбеста разрешается обрабатывать только специалистам.

- По возможности применяйте отсос пыли.
- Для достижения максимально высокой эффективности сбора пыли при работе с данным электроинструментом, используйте пылесос, предназначенный для сбора пыли из древесины или для пыли из древесины и/или минеральной пыли.
- Следите за хорошей вентиляцией.
- Рекомендуется пользоваться дыхательной защитной маской с фильтром класса P2.

Соблюдайте действующие в Вашей стране предписания для обрабатываемых материалов.

Общие указания по безопасности при работе с электроинструментами



ПРЕДОСТЕРЕЖЕНИЕ! Прочитайте все предупреждения и указания по безопасности. Несоблюдение предупреждений и указаний по безопасности может привести к поражению электрическим током, от пожара и/или серьезные ранения.

Сохраните все предупреждения и указания для дальнейшего использования.

Термин “электроинструмент” во всех указанных ниже предупреждениях касается вашего электроинструмента, с питанием от сети (с кабелем) и/или электроинструмент с питанием от аккумуляторной батареи (без кабеля).

1) Безопасность рабочего места

- а) Содержите рабочее место в чистоте и хорошо освещенным. Беспорядок и недостаточное освещение являются предпосылками трудовых инцидентов.
- б) Не работайте с электроинструментами во взрывоопасной атмосфере при наличии воспламеняющихся жидкостей, газов или пыли. Электроинструменты создают искры, которые могут воспалить пыль или пары.
- в) Держите детей и посторонних лиц на расстоянии, когда работаете с электроинструментом. Рассеивание может привести к потере контроля с Вашей стороны.

2) Электрическая безопасность

- а) Штепселя электроинструментов должны соответствовать контактному гнезду. Никогда не меняйте штепсель каким-либо способом. Не используйте какие-либо адаптерные штепселя для электроинструментов с защитным заземлением. *Использование оригинальных штепселей и соответствующим им контактов уменьшает риск от удара электрическим током.*
- б) Избегайте соприкосновения тела с землей или с заземленными поверхностями, такими как трубы, радиаторы, кухонные плиты и холодильники. *Если ваше тело заземлено, существует повышенный риск поражения электрическим током.*
- в) Не оставляйте электроинструменты под дождем или во влажной среде. *Проникновение воды в электроинструменты повышает риск от поражения электрическим током.*
- г) Используйте кабель по назначению. Никогда не используйте кабель для переноса электроинструмента, натягивания или отключения штепселя из контактного гнезда. Держите кабель далеко от тепла, масла, острых углов или движущихся частей. *Поврежденные или запутанные кабели повышают риск от поражений электрическим током.*
- д) Во время наружной работы с электроинструментом используйте удлинитель, подходящий для этих целей. *Использование удлинителя, предназначенного для внешних /наружных/ работ, уменьшает опасность от поражения электрическим током.*
- е) В случае, если работа с электроинструментом во влажной среде

неизбежна, используйте предохранительное устройство, которое задействовано от остаточного тока для прерывания подачи тока. *Использование предохранительного устройства уменьшает риск от поражения электрическим током.*

3) Личная безопасность

- a) Будьте бдительны, работайте с повышенным вниманием и проявляйте благоразумие, когда работаете с электроинструментом. Не используйте электроинструмент, когда вы устали или находитесь под влиянием наркотиков, алкоголя или медикаментов. Момент невнимания при работе с электроинструментом может привести к серьезной производственной травме.
- b) Используйте индивидуальные средства защиты. Носите всегда защитные очки. *Индивидуальные средства защиты, такие как маска против пыли, нескользкая обувь, защитный шлем или средства для защиты слуха, используемые в конкретных условиях, снижают риск от производственных травм.*
- c) Избегайте невольного пуска инструмента. Убедитесь, что выключатель находится в положение „выключено” перед включением к источнику питания и/или аккумуляторной батарее перед тем, как его возьмете в руки или переносите. *Ношение электроинструмента с пальцем на выключателе или подключение к источнику питания электроинструмента с выключателем во включенном положении является предпосылкой для производственной травмы.*
- d) Удалите каждый ключ для затягивания или гаечный ключ перед включением электроинструмента. *Ключ для затягивания или гаечный ключ, прикрепленный к вращающейся части электроинструмента, может привести к трудовому инциденту.*
- e) Не перетягивайтесь. Поддерживайте правильное положение и равновесие в течение всей работы. *Это позволит лучше управлять электроинструментом при неожиданных ситуациях.*
- f) Носите подходящую рабочую одежду. Не носите широкую одежду или украшения. Держите свои волосы, одежду и перчатки далеко от движущихся частей. *Широкая одежда, бижутерия или*

длинные волосы могут попасть в движущиеся части.

- g) Если электроинструмент снабжен приспособлением для пыли, убедитесь, что они правильно установлены и правильно используются. *Использование этих устройств может понизить связанные с пылью опасности.*
- ### 4) Эксплуатация и уход за электроинструментами
- a) Не перегружайте электроинструмент. Используйте правильно выбранный электроинструмент согласно его назначению. *Правильно подобранный электроинструмент работает лучше и безопасней для объявленного режима работы, для которого он спроектирован.*
 - b) Не используйте электроинструмент в случае, если выключатель не переключается во включенное и исключенное положение. *Каждый электроинструмент, который не может управляться с помощью его выключателя, опасен и подлежит ремонту.*
 - c) Отключите штепсель от электросети перед тем, как начать любые настройки, перед заменой принадлежности или перед тем, как убрать электроинструмент для хранения. *Эти меры предосторожности снижают риск невольного пуска электроинструмента.*
 - d) Сохраняйте неиспользованные электроинструменты в местах, недоступных для детей и не позволяйте обслуживающему персоналу, который не знаком с электроинструментом или инструкциями по эксплуатации, работать с ним. *Электроинструменты являются опасными в руках необученных потребителей.*
 - e) Проверяйте электроинструменты. Проверяйте, работает ли нормально и движутся ли свободно движущиеся части, находятся ли в целости и исправности части, а также проверяйте все прочие обстоятельства, которые могут неблагоприятно повлиять на работу электроинструмента. Если он поврежден, электроинструмент необходимо отремонтировать перед его дальнейшим использованием. *Много инцидентов причиняются от плохо обслуживаемых электроинструментов.*
 - f) Поддерживайте режущие инструменты острыми и чистыми. *Правильно*

поддержанные режущие инструменты с острыми режущими углами реже блокируются и проще управляются.

г) Используйте электроинструмент, принадлежности и части инструмента и т.д. в соответствии с этими инструкциями и способом, предусмотренным для конкретного типа электроинструмента, имея ввиду рабочие условия и работу, которую необходимо выполнять. Использование электроинструмента для работы не по назначению может привести к опасной ситуации.

5) Обслуживание

а) Ремонтируйте ваш электроинструмент у квалифицированного специалиста по ремонту, при этом используйте только оригинальные запасные части. Это обеспечивает сохранение безопасности электроинструмента.

Дополнительные указания по технике безопасности при работе с перфораторами



Используйте средства защиты слуха при продолжительной работе. Интенсивный шум во время работы может повредить слух.

• Всегда используйте дополнительную рукоятку, прилагаемую в комплекте с машиной. Потеря контроля может привести к трудовому происшествию.



Во время работы используйте средства защиты зрения от разлетающихся частиц. Носите защитные очки.



Примите меры предосторожности против вдыхания пыли. Некоторые материалы могут содержать токсические компоненты. Носите защитную маску. Подключите инструмент к устройству для удаления пыли (если это возможно).

• В случае потенциальной возможности касания режущей принадлежности до скрытой электропроводки или до собственного питающего шнура, держите

электроинструмент только за изолированные поверхности рукояток. Контакт принадлежности с токоведущим проводом ставит под напряжение также открытые металлические части электроинструмента и может привести к поражению оператора электрическим током.

• Не обрабатывайте материалы содержащих асбеста. Асбест считается канцерогенным веществом.



ПРЕДОСТЕРЕЖЕНИЕ: Перед тем, как подключить электроинструмент в электросеть, проверьте соответствие напряжения, указанного на табличке с техническими данными электроинструмента

• Источник питания, работающий при напряжении, превышающем указанное на электроинструменте, может вызвать серьезное поражение электрическим током оператора или электроинструмента.

• При наличии любых сомнений, не включайте штепсель электроинструмента в контактное гнездо.

• Использование источника питания с более низким, чем обозначенное на табличке электроинструмента напряжением, повредит электродвигатель.

• Во избежание перегрева, раскрутите кабель удлинителя кабельной катушки до конца.

• В случае необходимости в использовании удлинителя, убедитесь в том, что его сечение соответствует номинальному току используемого электроинструмента, проверьте исправность удлинителя.



ПРЕДОСТЕРЕЖЕНИЕ: При настройке, обслуживании или ремонте, в обязательном порядке отключайте электроинструмент и вынимайте штепсель из контакта.

• Во время работы держите машину крепко двумя руками, сохраняя стабильное положение тела. Направлять электроинструмент более безопасно, удерживая его двумя руками.

• Перед началом работы проверьте подходящим детектором металла наличие скрытой электропроводки, газопровода и водопровода, или обратитесь за содействием в

соответствующие местные службы. Прикосновение сверла к скрытой электропроводке может вызвать поражение электрическим током. Повреждение газопровода может привести к взрыву. Повреждение водопровода нанесет ущерб собственности или приведет к поражению электрическим током.

- Кабель электропитания следует держать вне рабочего охвата машины.
- Не используйте электроинструмент с поврежденным кабелем. Не прикасайтесь к поврежденному кабелю, выньте штепсель из контакта, если кабель получит повреждение во время работы. Поврежденный кабель повышает опасность удара электрическим током.
- Всегда занимайте стабильную позицию. При работе на определенной высоте, убедитесь в том, что под Вами никого нет.
- Фиксируйте обрабатываемую деталь тисками или другим подходящим методом.
- Контролируйте инерционный момент при запуске электроинструмента или при заклинивании сверла. Немедленно выключите электроинструмент, если сверло заблокировалось. С повышенным вниманием контролируйте высокий реактивный момент, который может привести к откату. В случае перегрузки электроинструмента или заклинивания сверла в обрабатываемом материале, сверло будет заблокировано.
- Не прикасайтесь к инструменту или обрабатываемой детали сразу же после работы: они могут быть слишком горячими и вызвать ожог кожи.
- Обеспечьте чистоту рабочего места. Соединение пыли различных материалов очень опасно. Пыль легких металлов может привести к возгоранию или эксплозии.
- В зоне работ никогда не следует оставлять ветошь, шнуры, кабели и пр.
- Выключите инструмент перед тем, как отложить его в сторону.
- Электроинструмент следует использовать только по назначению. Любое другое применение, отличающееся от указанного в данной инструкции, считается неправильным. Ответственность за любое повреждение или ранение, вызванное неправильным употреблением, несет потребитель, а не производитель.
- Для правильной эксплуатации электроинструмента следует соблюдать правила техники безопасности, указания по

монтажу, эксплуатационные инструкции, описанные в этом документе. Все лица, которые используют или обслуживают эту машину, должны быть ознакомлены с настоящей инструкцией, и информированы о возможных рисках, связанных с электроинструментом. Работа на электроинструментах запрещена детям и немощным людям. Следует держать детей под постоянным наблюдением, если они находятся в рабочей зоне. В обязательном порядке следует соблюдать правила техники безопасности, действующие в стране. Это условие касается и основных правил профессионального здравоохранения и техники безопасности.

- Производитель не несет ответственность в случае внесенных потребителем в электроинструмент изменений, или в случае повреждений, вызванных такими изменениями.
- Электроинструмент не следует использовать под открытым небом в дождливую погоду, во влажной среде (после дождя), или вблизи от возгораемых жидкостей и газов. Рабочее место должно быть хорошо освещено

Знакомство с электроинструментом

До начала работы, ознакомьтесь со всеми оперативными особенностями инструмента и условиями техники безопасности. Используйте электроинструмент и его принадлежности только по назначению. Любое другое приложение категорически запрещено.

1. Защитное кольцо
2. Замыкающая муфта
3. Винт
4. Ограничительная линейка
5. Вентиляционные отверстия
6. Переключатель рабочих режимов
7. Выключатель
8. Регулятор частоты вращения
9. Индикатор режимов
10. Индикатор изнашивания щеток и перегрузки
11. Вентиляционные отверстия
12. Дополнительная рукоятка

Указания по работе

Этот электроинструмент питается однофазным непостоянным током. Двойная изоляция электроинструмента согласно EN 60745-1 и IEC 60745 позволяет подключение электроинструмента к контактам без защитных клемм. Радиопомехи соответствуют директиве электромагнитной совместимости 2004/108/ЕС. Этот электроинструмент с высокой производительностью предназначен для ударного сверления, разбивания и долбления в кирпичной кладке, бетоне и скалах.



Электроинструмент снабжен механизмом для снижения вибраций, который снижает вибрации более чем на 50%.

ДО НАЧАЛА РАБОТЫ

- Проверьте напряжение электросети: оно должно соответствовать обозначенным на табличке техническим данным электроинструмента.
- Проверьте, в какой позиции находится переключатель. Электроинструмент следует подключать и отключать от электросети только при выключенном выключателе. Если штепсель будет включен в розетку при включенном выключателе, электроинструмент немедленно приводится в действие, что может привести к нежеланному инциденту.
- Убедитесь в исправности кабеля питания. В случае повреждения кабеля питания, его следует заменить специальным кабелем или узлом, обратившись к производителю или его сервисному специалисту во избежание возможных рисков.



ПРЕДОСТЕРЕЖЕНИЕ: Всегда отключайте электроинструмент и вынимайте штепсель из контакта до начала любой настройки или обслуживания.

- Если рабочая зона находится на расстоянии от источника питания, используйте возможно наиболее короткий удлинитель с подходящим сечением.
- Проверьте правильность и надежность монтажа дополнительной рукоятки.

ПУСК-ОСТАНОВКА

- Пуск: Нажать на выключатель 7 и задержать.
 - Остановка: разомкнуть выключатель 7.
- При низких температурах разрушение электроинструментом следует начать лишь через 3 минуты после начала его работы на холодном ходу.



ПРЕДОСТЕРЕЖЕНИЕ: При перегрузке машины на 30%, включается красный светодиод 10. Машина не должна работать продолжительное время в этом режиме.

ВЫБОР СКОРОСТИ, ЧАСТОТЫ И ЭНЕРГИИ УДАРОВ

Поворотом регулятора 8 производится выбор подходящей скорости, частоты и энергии ударов в зависимости от обрабатываемого материала. Константная электроника поддерживает скорость, частоту и энергию ударов постоянными, независимо от нагрузки, которую обеспечивает оптимальный режим во время работы. Рекомендуется использовать указанные в таблице режимы работы.

Область применения	Позиция регулятора	Скорость вращения	Частота ударов	Энергия одиночного удара
Штукатурка / легкие стройматериалы	A-B	200-225 min ⁻¹	1900-2100 min ⁻¹	4 J
Кирпичи / Снятие плитки	C-D	250-275 min ⁻¹	2350-2600 min ⁻¹	6-7 J
Сверление по бетону	E-F	300-325 min ⁻¹	2850-3050 min ⁻¹	8-9 J
Разбивные работы по бетону	G		3300 min ⁻¹	11 J

Поворот регулятора 8 из положения А в положение F вызывает увеличение скорости, частоты и энергии ударов. Индикатор 9 светит мигающим зеленым цветом.

Режим работы МОЩНЫЙ УДАР (High Power) устанавливается поворотом регулятора 8 в положение G. Режим характеризуется увеличенной энергией удара до 11 J. Индикатор 9 светится постоянным зеленым цветом.



ПРЕДОСТЕРЕЖЕНИЕ: Использование режима МОЩНЫЙ УДАР (High Power) рекомендуется только при разрушении и при кратковременной работе в режиме ударного пробивания. Продолжительная работа в режиме ударного пробивания вызывает быстрое наступление усталости оператора и повышенному изнашиванию электроинструмента.

ВЫБОР РАБОЧЕГО РЕЖИМА

Переключение рабочих режимов производится в состоянии покоя.

Поверните переключатель в рабочие режимы 6 в указанном на нем направлении до желаемого положения.

При каждом переключении рабочих режимов патрон инструмента следует прокрутить слегка рукой влево и вправо, чтобы зафиксировать передачу.

(1) - Пробивание ударом - для пробивания отверстий в кирпичной кладке, бетоне и других материалах.

(2) - Замена позиции долота - для фиксации позиции инструмента в желаемом угловом положении при разрушении и долблении (см. пункт "Замена позиции долота").

(3) - Молоток - для разрушения и долбления.



ПРЕДОСТЕРЕЖЕНИЕ: Поворачивайте переключатель в рабочие режимы только в указанном на нем направлении.

УСТАНОВКА SDS-MAX ИНСТРУМЕНТА

Почистите и смажьте хвостовую часть инструмента перед тем, как поставить его в гнездо! Во время вставления инструмента замыкающая муфта 2 задерживается в верхнем (переднем) положении. Свободно вставьте инструмент в веретено. Поворачивайте ин-

струмент в веретено до совпадения шлицев. После совпадения шлицев инструмент вставляется вниз до упора (до отчетливого щелчка фиксирующего механизма). Проверьте, хорошо ли закреплен инструмент, сильно дергая его наружу.



ПРЕДОСТЕРЕЖЕНИЕ: При работе долотом переключатель 6 должен быть всегда в положении "молоток".

ДЕМОНТАЖ SDS-MAX ИНСТРУМЕНТА

Замыкающая муфта 2 вытягивается назад до конца и инструмент вытаскивается.

ЗАМЕНА ПОЗИЦИИ ДОЛОТА

- Инструмент помещается в гнездо согласно описанию в пункте "Установка SDS-max инструмента".

- Переключатель рабочих режимов 6 поворачивается в положение "Замена позиции долота".

- Инструмент повернуть рукой до желаемого положения.

- Переключатель рабочих режимов 6 установить в положение "молоток", после чего патрон инструмента прокрутить слегка рукой влево и вправо для фиксации защелки. Более длительную продолжительность годности перфоратора и высокую производительность можно обеспечить лишь хорошо заточенными инструментами для разрушения и долбления.

ДОПОЛНИТЕЛЬНАЯ РУКОЯТКА

Всегда используйте дополнительную рукоятку.

Ослабьте рукоятку, раскручивая ее налево. Поверните рукоятку в наиболее удобную для работы позицию, после чего хорошо ее затяните.

Не носите машину за дополнительную рукоятку, когда оно расшатана.

Посредством ограничительной линейки 4 можно фиксировать глубину пробиваемых отверстий. Ограничительная линейка 4 фиксируется винтом 3.

Дополнительная рукоятка этих моделей монтирована к корпусу посредством виброгасящих элементов, которые защищают оператора и снижают трудоемкость работ.

РЕКОМЕНДАЦИИ ПО РАБОТЕ

Во время бурения бетона применяйте умеренный натиск (приблизительно 100 - 150N). Значительный по силе натиск не повышает производительность и сокращает срок работы машины.

Периодически вынимайте сверло из отверстия, чтобы удалить пыль.

Наблюдайте степень остроты сверла, производите замену сверла в случае значительно понижения производительности.

ПРИНАДЛЕЖНОСТИ, КОТОРЫЕ МОГУТ ИСПОЛЬЗОВАТЬСЯ С ЭТИМ ЭЛЕКТРОИНСТРУМЕНТОМ

- Спиральные сверла для бетона SDS-max диаметром от Ø12 до Ø40 мм. Рекомендуется использование со сверлами от Ø24 до Ø2 мм, для работы с которыми оптимизирован электроинструмент.
- Сверла для проходных отверстий для бетона SDS-max диаметром до Ø55 мм
- Бурильные коронки SDS-max диаметром до Ø90 мм
- Шила SDS-max длиной до 600 мм
- Долото SDS-max шириной до 80 мм
- Каналопрокладчики SDS-max шириной до 32 мм



ПРЕДОСТЕРЕЖЕНИЕ: Для этого электроинструмента рекомендуются указанные выше принадлежности или приспособления. Употребление иных принадлежностей или приспособлений является предпосылкой трудового происшествия. Используйте принадлежности или приспособления только по назначению. При необходимости в дополнительной информации обращайтесь в местный сервис SPARKY.

Обслуживание



ПРЕДОСТЕРЕЖЕНИЕ: Всегда выключайте электроинструмент и вынимайте штепсель из розетки перед тем, как приступить к любой проверке или обслуживанию.

ОБЩАЯ ПРОВЕРКА

Регулярно проводите проверку всей крепежной - они должны быть крепко стянуты. В случае, если какой-либо винт открутился, его следует немедленно закрутить во избежание опасности.

В случае повреждения кабеля питания, его замену должен произвести изготовитель или его сертифицированный специалист, во избежание опасности.

УХОД

Для обеспечения безопасной работы всегда поддерживайте в чистоте и машину, и ее вентиляционные отверстия.

Регулярно проверяйте вентиляционные отверстия электродвигателя или переключателей на наличие пыли или чужеродных тел. Используйте мягкую щетку для удалений пыли. Во избежание повреждения глаз, во время ухода за устройством пользуйтесь защитными очками.

Если корпус машины загрязнен, протрите его мягкой влажной салфеткой. Можно использовать щадящий моющий препарат.



ПРЕДОСТЕРЕЖЕНИЕ: Не допускается употребление спирта, бензина и прочих растворителей. Никогда не пользуйтесь развешивающими препаратами для чистки пластмассовых частей



ПРЕДОСТЕРЕЖЕНИЕ: Не допускается попадание и контакт устройства с водой.

ВАЖНО! В целях обеспечения безопасности работы электроинструмента и его надежности, все ремонтные работы, обслуживание и регулировку устройства (включительно проверку и замену щеток) следует проводить в специализированных сервисах SPARKY, используя исключительно оригинальные запасные части.

ВСТРОЕННАЯ ПРОТИВОПЫЛЕВАЯ ЗАЩИТА

Защитное кольцо 1 предохраняет гнездо инструмента от загрязнения во время работы. При вставлении инструмента соблюдайте осторожность, чтобы не повредить защитное кольцо.



ПРЕДОСТЕРЕЖЕНИЕ: Незамедлительно заменяйте защитное кольцо в случае его повреждения!

Для замены защитного кольца 1 вытяните назад замыкающую муфту 2. Ухватите защитное кольцо и сильно вытяните его наискось вперед. Поставьте на веретено в слегка наклонном положении новое защитное кольцо и сильно его прижмите.

ИНДИКАЦИЯ “СЕРВИСНОЕ ОБСЛУЖИВАНИЕ”

Если красный светодиод 10 начинает мигать, а машина продолжает работать нормально, необходима замена щеток. Через приблизительно 8 часов работы щетки полностью изнашиваются и задействует выключатель. Машина останавливается, а индикатор продолжает мигать красным цветом. Отнесите машину в авторизованный сервис для замены щеток и проведения профилактики.

Если машина перестает работать до истечения предупредительного 8-часового периода, а красный светодиод 10 мигает, это означает, что электродвигатель вероятно поврежден. Если нет никакой световой индикации и машина не работает, это означает, что отсутствует питание машины или что выключатель или шнур питания повреждены.

ПРОФИЛАКТИЧЕСКИЙ ОСМОТР

Следует периодически предоставлять электроинструмент авторизованному сервису SPARKY для проведения профилактического осмотра. Профилактические осмотры продлят жизнь вашему электроинструменту.

Первый осмотр -приблизительно через 70 часов работы.Проводится оценка функционирования машины и в случае необходимости осуществляется осмотр электроинструмента

Второй осмотр -приблизительно через 140 часов работы или после изнашивания щеток. Производится полное очищение электроинструмента, осмотр и устранение возникших или потенциальных деффектов (за-

меняются щетки и уплотняющие кольца).

Третий осмотр - приблизительно через 250 часов работы или после изнашивания щеток. Производится полное очищение электроинструмента, осмотр и устранение возникших или потенциальных деффектов (заменяются щетки и уплотняющие кольца).

Четвертый осмотр - через приблизительно 350 часов работы или после изнашивания щеток. Производится полное очищение электроинструмента, осмотр и устранение возникших или потенциальных деффектов заменяются щетки и уплотняющие кольца).

Гарантия

Гарантийный срок электроинструментов SPARKY указан в гарантийной карте.

Неисправности, появившиеся в результате естественного изнашивания, перегрузки или неправильной эксплуатации, не входят в гарантийные обязательства.

Неисправности, появившиеся вследствие применения некачественных материалов и/или из-за производственных ошибок, устраняются без дополнительной оплаты путем замены или ремонта.

Рекламации дефектного электроинструмента SPARKY принимаются в том случае, если машина будет возвращена поставщику, или специализированному гарантийному сервису в не разобранном (первоначальном) состоянии.

Замечания

Внимательно прочтите всю инструкцию по эксплуатации перед тем, как приступить к использованию этого изделия.

Производитель сохраняет за собой право вносить в свои изделия улучшения и изменения, а также изменять спецификации без предупреждения.

Спецификации для разных стран могут различаться.

Зміст

Введення.....	90
Технічні дані.....	92
Загальні вказівки з безпеки при роботі з електроприладами.....	93
Додаткові вказівки з техніки безпеки під час роботи з перфораторами.....	95
Ознайомлення з електроінструментом.....	A/96
Вказівки щодо роботи.....	96
Обслуговування.....	98
Гарантія.....	100

РОЗПАКУВАННЯ

У відповідності з загальноприйнятими технологіями великосерійного виробництва, майже не існує ризику поломки Вашого електроінструменту, або відсутності будь-якої з його частин. Якщо ви все ж таки встановите пошкодження, не використовуйте електроінструмент до тих пір, поки дефектна частина не буде замінена, а несправність - усунена. Порушення цієї рекомендації може призвести до серйозного трудового інциденту.

ЗБІРКА

Перфоратор поставляється в упаковці, у повністю зібраному вигляді.

Введення

Придбаний Вами електроінструмент SPARKY перевершить Ваші очікування. Він зроблений у відповідності до високих стандартів якості SPARKY, що відповідають суворим вимогам споживача. Його легко обслуговувати і він безпечний при експлуатації, при правильному використанні цей електроінструмент буде служити Вам довгі роки.

ЗАСТЕРЕЖЕННЯ!



Прочитайте уважно і цілком інструкцію з експлуатації, перед використанням новоприданого електроінструменту SPARKY. Зверніть спеціальну увагу на параграфи, позначених словом "Застереження". У Вашого електроінструменту SPARKY багато якостей, які полегшують роботу. При розробці цього інструменту основну увагу було направлено на безпеку, експлуатаційні якості і надійність, які полегшують його обслуговування і експлуатацію.



Не викидайте електроінструменти разом з побутовими відходами!

Відходи від електричних виробів не варто збирати разом з побутовими відходами. Будь ласка, викидайте в місцях, призначених для цього. Зв'яжіться з місцевою владою або представником для консультації щодо повторної переробки.

ОХОРОНА НАВКОЛИШНЬОГО СЕРЕДОВИЩА



З урахуванням охорони навколишнього середовища електроінструмент, приналежності й упаковка повинно надати відповідній переробці для повторного використання сировини, що міститься в них. Для полегшення повторної переробки деталей, зроблених з штучних матеріалів, вони позначені відповідним чином.

ОПИС СИМВОЛІВ

Табличка з даними електродриля містить спеціальні символи. Вони є важливою інформацією про використання інструмента та його характеристики.



Подвійна ізоляція для додаткового захисту.



Відповідає чинним європейським директивам.



Відповідає вимогам російських нормативних документів.



Відповідає вимогам українських нормативних документів.



Ознайомтеся з інструкцією з експлуатації.

YYYY-Www Термін виробництва, де змінними символами є:

YYYY - рік випуску,

ww - черговий календарний тиждень.

BP Електронний перфоратор.

Технічні дані

Модель	BP 540CE
▪ Споживана потужність	1010 W
▪ Частота ударів на неробочому ході	200-325/350 min ⁻¹
▪ Електронне регулювання обертів	так
▪ Константна електроніка	так
▪ Зміна напрямку обертання	ні
▪ Запобіжний механічний з'єднувач	так
▪ Макс. частота ударів	1900-3050/3300 min ⁻¹
▪ Енергія одиночного удару (EPTA процедура 05)	4 - 7,6/8,7 J
▪ Макс. діаметр інструменту для бетону:	
спіральні свердла	40 mm
свердла для прохідних отворів	55 mm
бурильні коронки	90 mm
▪ Позичії долота	24
▪ Закріплення інструменту	SDS-max
▪ Вага (EPTA процедура 01/2003)	6,0 kg
▪ Клас захисту (EN 60745-1)	II

ІНФОРМАЦІЯ ПРО ШУМ І ВІБРАЦІЇ

Значення, заміряні згідно EN 60745.

▪ Рівень шуму	
A-зважений рівень звукового тиску L _{pA}	95,0 dB(A)
Невизначеність K _{pA}	3,0 dB(A)
A-зважений рівень звукової потужності L _{WA}	106,0 dB(A)
Невизначеність K _{WA}	3,0 dB(A)

Використовуйте засоби для захисту від шуму!

▪ Випромінювання вібрацій *	
Сумарні значення вібрацій (векторна сума трьох напрямків) визначені відповідно до EN 60745:	
Ударне свердління по бетону	
Значення випромінених вібрацій a _{h,HD}	13,5 m/s ²
Невизначеність K _{HD}	1,5 m/s ²
Довбання	
Значення випромінених вібрацій a _{h,CHeq}	11,5 m/s ²
Невизначеність K _{CHeq}	1,5 m/s ²

* Рівень вібрацій визначений згідно п. 6.2.7 EN 60745.

Вказаний в інструкції рівень вібрацій виміряний відповідно до встановлених EN 60745 методик випробувань, і може використовуватися для порівняння електроінструментів. Рівень вібрацій може використовуватися для попередньої оцінки впливу.

Зазначений рівень вібрацій надано за умови використання інструменту за його прямим призначенням. У тих випадках, коли електроінструмент використовується для інших цілей, з іншими речами, рівень вібрацій може відрізнятися від зазначеного. У цих випадках рівень впливу може значно зрости в рамках загального періоду роботи.

Для точної оцінки впливу вібрацій, під час певного періоду роботи необхідно враховувати проміжки часу, в які електроінструмент вимкнено, або хоча і включений, але фактично не використовується. Це може істотно скоротити вплив вібрацій протягом всього періоду роботи.

Зберігайте електроінструмент і його речі в гарному стані. Під час роботи намагайтеся зберігати руки теплими - це допоможе зменшити шкідливий вплив при роботі з підвищеною вібрацією.

Пил матеріалів, наприклад - фарби з вмістом свинцю, деяких сортів деревини, мінералів і металу може бути шкідливим для здоров'я. Дотик до пилу і потрапляння пилу в дихальні шляхи може викликати алергічні реакції та / або захворювання дихальних шляхів оператора або персоналу, що знаходиться поблизу.

Певні види пилу, наприклад, з дуба та бука, вважаються канцерогенними, особливо спільно з

присадками для обробки деревини (хромат, засіб для захисту деревини, тощо). Матеріал з вмістом азбесту дозволяється обробляти тільки фахівцям.

- По можливості застосовуйте відсмоктування пилю.
 - Для досягнення максимально високої ефективності збирання пилю при роботі з даним приладом, використовуйте пилосос, призначений для збору пилю з деревини або для пилю з деревини та / або мінерального пилю.
 - Слідкуйте за хорошою вентиляцією.
 - Рекомендується користуватися дихальною захисною маскою з фільтром класу P2.
- Дотримуйтеся розпорядження щодо оброблюваних матеріалів, що діють у Вашій країні.

Загальні вказівки з безпеки при роботі з електроприладами



ЗАСТЕРЕЖЕННЯ! Прочитайте всі попередження і вказівки з безпеки. Недодержання попереджень і вказівок з безпеки може призвести до ураження електричним струмом, пожежі та / або важкого поранення.

Збережіть всі попередження та вказівки для подальшого використання.

Термін "електроприлад" у всіх зазначених нижче попередженнях стосується вашого електроприладу, з живленням від мережі (з кабелем), та / або електроприладу з живленням від акумуляторної батареї (без кабелю).

1) Безпека робочого місця

- а) Утримайте робоче місце в чистоті і добре освітленим. Безлад і недостатнє освітлення є передумовою виникнення трудових інцидентів.
- б) Не працюйте з електроприладами у вибухонебезпечній атмосфері при наявності займистих рідин, газів або пилю. Електроприлади створюють іскри, що можуть займати пил або пари.
- в) Тримайте дітей та сторонніх осіб на відстані, коли працюєте з електроприладом. Розсіювання уваги може призвести до втрати контролю з Вашого боку.

2) Електрична безпека

- а) Штепселі електроприладів повинні відповідати контактним гніздам. Ніколи не змінюйте штепсель у будь-який спосіб. Не використовуйте будь-які адаптерні штепселі для електропри-

ладів із захисним заземленням. Використання оригінальних штепселів і відповідних їм контактів зменшує ризик удару електричним струмом.

- б) Уникайте дотику тіла з землею або заземленими поверхнями, такими як труби, радіатори, кухонні плити та холодильники. Якщо ваше тіло заземлене, існує підвищений ризик ураження електричним струмом.
 - в) Не залишайте електроприлади під дощем або у вологому середовищі. Проникнення води в електроприлади підвищує ризик ураження електричним струмом.
 - г) Використовуйте кабель за призначенням. Ніколи не використовуйте кабель для перенесення електроприладу, натягування або відключення штепселя з контактного гнізда. Тримайте кабель далеко від тепла, олії, гострих кутів, що рухаються. Пошкоджені або заплутані кабелі підвищують ризик поразок електричним струмом.
 - д) Під час зовнішніх робіт використовуйте подовжувач, що підходить для цих цілей. Використання подовжувача, призначеного для зовнішніх робіт, зменшує небезпеку від ураження електричним струмом.
 - е) У випадку, якщо робота з електроприладом у вологому середовищі неминуча, використовуйте запобіжний пристрій, який робить на залишковому струмі для переривання подачі струму. Використання запобіжного пристрою зменшує ризик ураження електричним струмом.
- ### 3) Особиста безпека
- а) Будьте пильні, працюйте з підвищеною увагою і проявляйте розсудливість, коли працюєте з електроприладом. Не використовуйте електроприлад, коли ви стомлені, або під впливом наркотиків, алкоголю,

медикаментів, тощо. Одна мить не уваги при роботі з електроприладом може призвести до серйозної виробничої травми.

- b) Використовуйте індивідуальні засоби захисту. Носіть завжди захисні окуляри. Індивідуальні засоби захисту, такі як маска проти пилу, неслизьке взуття, захисний шолом або засоби для захисту слуху, що використовуються в конкретних умовах, знижують ризик виникнення виробничих травм.
- c) Уникайте мимовільного пуску інструменту. Переконайтеся, що вимикач знаходиться в положенні “вимкнено” перед включенням в джерело живлення та / або акумуляторної батареї, перед тим, візьмете в руки або переносите. Носіння електроприладу з пальцем на вимикачі або підключення до джерела живлення електроінструменту з вимикачем у включеному положенні є передумовою для виробничої травми.
- d) Видаліть кожен гайковий ключ перед включенням електроприладу. Ключ для затягування або гайковий ключ, прикріплений до частини електроприладу, що обертається, може призвести до трудового інциденту.
- e) Не простягайтесь занадто. Підтримуйте правильне положення і рівновагу протягом всієї роботи. Це дозволить краще керувати електроприладом у несподіваних ситуаціях.
- f) Носіть придатний одяг. Не носіть широкий одяг або прикраси. Тримайте своє волосся, одяг і рукавички далеко від рухомих частин. Широкий одяг, біжутерія та довге волосся можуть потрапити в рухомі частини.
- g) Якщо електроприлад має пристосування для пилу, переконайтеся, що воно правильно встановлено і правильно використовується. Використання цих пристроїв може знизити пов'язані з пилом небезпеки.

4) Експлуатація і догляд за електроприладами

- a) Не перевантажуйте електроприлад. Використовуйте правильно вибраний електроприлад згідно з його призначенням. Правильно підбраний електроприлад працює краще і безпечніше для оголошеного режиму роботи, для якого він спроектований.

- b) Не використовуйте електроприлад у випадку, якщо вимикач не переходить у включену і виключену позицію. Кожен електроприлад, який не може управлятися за допомогою вимикача, є небезпечним і підлягає ремонту.
- c) Вимкніть штепсель від електромережі перед тим, як почати будь-які налаштування, перед заміною приладдя або перед тим, як прибрати електроприлад для зберігання. Ці запобіжні заходи знижують ризик мимовільного пуску електроприладу.
- d) Зберігайте невикористані електроприлади в місцях, недоступних для дітей, і не дозволяйте користуватися ним обслуговуючому персоналу, який не знайомий з електроприладом або інструкціями з експлуатації. Електроприлади є небезпечними в руках ненавчених споживачів.
- e) Перевіряйте електроприлади. Перевіряйте, чи працюють нормально і рухаються вільно рухомі частини, чи знаходяться в цілості і справності усі частини, а також перевіряйте всі інші обставини, які можуть негативно вплинути на роботу електроприладу. У разі ушкоджень електроприлад необхідно відремонтувати перед його подальшим використанням. Багато інцидентів заподіюються у випадку поганого обслуговування електроприладів.
- f) Підтримуйте ріжучі інструменти гострими і чистими. Правильно підтримані ріжучі інструменти з гострими кутами рідше блокуються і простіше управляються.
- g) Використовуйте електроприлад, приналежності (комплектуючі) і частини інструменту і т.д. відповідно до цих інструкцій та у засіб, передбачений для конкретного типу електроприладу, маючи на увазі робочі умови і роботу, яку необхідно виконувати. Використання електроприладу для роботи не за призначенням може призвести до небезпечної ситуації.

5) Технічне обслуговування

- a) Ремонтуйте ваш електроприлад у кваліфікованого фахівця з ремонту, при цьому використовуйте тільки оригінальні запасні частини. Це забезпечує безпеку електроприладу.

Додаткові вказівки по техніці безпеки під час роботи з перфтораторами



Використовуйте засоби захисту слуху під час тривалої роботи. *Інтенсивний шум під час роботи може пошкодити слух.*

- Завжди використовуйте додаткове руків'я, додане у комплект із машиною. *Втрата контролю може призвести до трудової травми.*



Під час роботи використовуйте засоби захисту зору від частинок, що розлітаються. *Носіть захисні окуляри.*



Прийміть запобіжні заходи проти вдихання пилу. *Деякі матеріали можуть містити токсичні компоненти. Носіть захисну маску. Підключіть інструмент до пристрою для видалення пилу (якщо це можливо).*

- В разі потенційної можливості дотику приладдя, що ріже до прихованої електропроводки або до власного шнура живлення, тримайте електроінструмент тільки за ізольовані поверхні руків'їв. *Контакт приладдя з струмоведучим проводом ставить під напругу також відкриті металеві частини електроінструменту і може призвести до ураження оператора електричним струмом.*
- Не обробляйте матеріали, що містять азбест. Азбест вважається канцерогенною речовиною.



ЗАСТЕРЕЖЕННЯ: Перед тим, як підключити електроінструмент в електромережу, перевірте відповідність напруги, зазначеної на таблиці з технічними даними електроінструменту.

- Джерело живлення, що працює при напрузі, що перевищує зазначену на електроінструменті, може викликати серйозне ураження електричним струмом оператора або електроінструменту.
- У разі будь-яких сумнівів, не вставляйте штепсель електроінструменту у контактне гніздо.

- Використання джерела живлення з більш низькою, ніж позначеною на таблиці електроінструменту напругою, зашкодить електродвигуну.
- Щоб уникнути перегріву, розкрутіть кабель подовжувача кабельної котушки до кінця.
- В разі необхідності використання подовжувача, переконайтеся у тому, що його переріз відповідає номінальному току використовуваного електроінструменту, перевірте справність подовжувача.



ЗАСТЕРЕЖЕННЯ: Під час налаштування, обслуговування або ремонту, в обов'язковому порядку відключайте електроінструмент та виймайте штепсель із розетки.

- Під час роботи тримайте машину міцно двома руками, зберігаючи стабільне положення тіла. Направляти електроінструмент більш безпечно, утримуючи його двома руками.
- Перед початком роботи перевірте відповідним детектором металу наявність прихованої електропроводки, газопроводу та водопроводу, або зверніться за сприянням у відповідні місцеві служби. Дотик свердла до прихованої електропроводки може викликати ураження електричним струмом. Пошкодження газопроводу може привести до вибуху. Пошкодження газопроводу може привести до вибуху. Пошкодження водопроводу завдасть шкоди власності або призведе до ураження електричним струмом.
- Кабель електроживлення слід тримати поза робочою зоною машини.
- Не використовуйте електроінструмент із пошкодженим кабелем. Не торкаючись до ушкодженого кабелю, вийміть штепсель з контакту, якщо кабель отримає пошкодження під час роботи. Пошкоджений кабель підвищує небезпеку ураження електричним струмом.
- Завжди займайте стабільну позицію. Під час роботи на певній висоті, переконайтеся у тому, що під Вами нікого немає.
- Фіксуйте оброблювану деталь лещатами або іншим відповідним методом.
- Контролюйте інерційний момент під час запуску електроінструменту або під час заклинювання свердла. негайно вимкніть електроінструмент, якщо свердло заблокувалося. З підвищеною увагою контролюйте високий реактивний момент, який може

привести до відскоку. У разі перевантаження електроінструменту або заклинювання свердла в оброблюваному матеріалі, свердло буде заблоковано.

- Не торкайтеся інструмента або оброблюваної деталі відразу ж після роботи: вони можуть бути дуже гарячими і викликати опік шкіри.
- Забезпечте чистоту робочого місця. З'єднання пилу різних матеріалів дуже небезпечно. Пил легких металів може призвести до займання або вибуху.
- У зоні робіт ніколи не слід залишати ганчірки, шнури, кабелі тощо
- Вимкніть інструмент перед тим, як відклас-ти його у бік.
- Електроінструмент слід використовувати тільки за призначенням. Будь-яке інше застосування, що відрізняється від зазначеного у даній інструкції, вважається неправильним застосуванням. Відповідальність за будь-яке пошкодження або поранення, викликане неправильним застосуванням, несе споживач, а не виробник.
- Для правильної експлуатації електроінструмента слід дотримуватися правил техніки безпеки, вказівок по монтажу, експлуатаційних інструкцій, описаних у цьому документі. Всі особи, які використовують або обслуговують цю машину, повинні бути ознайомлені з цією інструкцією, і поінформовані про можливі ризики, пов'язані з електроінструментом. Робота на електроінструменті заборонена дітям і немічним людям. Слід тримати дітей під постійним наглядом, якщо вони знаходяться у робочій зоні. В обов'язковому порядку слід дотримуватися правил техніки безпеки, що діють у країні. Ця умова стосується й основних правил охорони праці здоров'я і техніки безпеки.
- Виробник не несе відповідальність у разі внесених споживачем в електроінструмент змін, або у разі пошкоджень, викликаних такими змінами.
- Електроінструмент не слід використовувати під відкритим небом у дощову погоду, у вологому середовищі (після дощу), або поблизу від займистих рідин і газів. Робоче місце має бути добре освітлено.



ЗАСТЕРЕЖЕННЯ: Під час роботи із долотом, перемикач 4 повинен завжди знаходитися у позиції «молоток»!

Ознайомлення з електроінструментом

До початку роботи, ознайомтеся з усіма робочими характеристиками інструменту та умовами техніки безпеки.

Використовуйте електроінструмент і його приладдя тільки за призначенням. Будь-яке інше застосування категорично заборонене.

1. Захисне кільце
2. Муфта, що замикає
3. Гвинт
4. Обмежувальна лінійка
5. Вентиляційні отвори
6. Перемикач робочих режимів
7. Вимикач
8. Регулятор частоти обертання
9. Індикатор режиму
10. Індикатор зношування щіток і перевантаження
11. Вентиляційні отвори
12. Додаткова рукоятка

Вказівки щодо роботи

Цей електроінструмент живиться однофазним непостійним струмом. Подвійна ізоляція електроінструмента згідно EN 60745-1 і IEC 60745 дозволяє підключення електроінструменту до контактів без захисних клем. Радіоперешкоди відповідають директиві електромагнітної сумісності 2004/108/ЄС

Цей електроінструмент із високою продуктивністю призначений для ударного свердління, розбивання та довбання у цегляній кладці, бетони та скелях.




Електроінструмент оснащений механізмом для зниження вібрацій, який знижує вібрації більш ніж на 50%.

ДО ПОЧАТКУ РОБОТИ

- Перевірте напругу електромережі: вона повинна відповідати позначенням на таблиці технічним даним електроінструменту.
- Перевірте, в якій позиції знаходиться перемикач. Електроінструмент слід підключати та відключати від електромережі тільки під час вимкненого вимикача. Якщо штепсель буде включений у розетку при включеному вимикачі, електроінструмент негайно приводиться у дію, що може привести до небезпечного інциденту.

- Переконайтеся у справності кабелю живлення. У разі пошкодження кабелю живлення, його слід замінити спеціальним кабелем або вузлом, звернувшись до виробника або його сервісного спеціаліста, щоб уникнути можливих ризиків.

 **ЗАСТЕРЕЖЕННЯ:** Завжди відключайте електроінструмент та виймайте штепсель із контакту до початку будь-якого налаштування або обслуговування.

ВИБІР ШВИДКОСТІ, ЧАСТОТИ ТА СИЛИ УДАРІВ

Поворотом регулятора 8 проводиться вибір відповідної швидкості, частоти та енергії ударів у залежності від оброблюваного матеріалу. Константна електроніка підтримує швидкість, частоту й енергію ударів постійними, незалежно від навантаження, що забезпечує оптимальний режим під час роботи. Рекомендується використовувати зазначені у таблиці режими роботи.

Область застосування	Позиція регулятора	Швидкість обертання	Частота ударів	Енергія одиночного удару
Штукатурка / легкі будматеріали	A-B	200-225 min ⁻¹	1900-2100 min ⁻¹	4 J
Цегла / Зняття плитки	C-D	250-275 min ⁻¹	2350-2600 min ⁻¹	6-7 J
Свердлення бетону	E-F	300-325 min ⁻¹	2850-3050 min ⁻¹	8-9 J
Руйнуючі роботи по бетону	G		3300 min ⁻¹	11 J


- Якщо робоча зона знаходиться на відстані від джерела живлення, використовуйте найкоротший подовжувач із відповідним перерізом.
- Перевірте правильність і надійність монтажу додаткової рукоятки.

ПУСК - ЗУПИНКА

Пуск: Натисніть вимикач 7 та затримуйте його.


Зупинка: : розімкніть вимикач 7.

При низьких температурах руйнування електроінструментом слід розпочати лише через 3 хвилини після початку його роботи на неробочому ходу.

 **ЗАСТЕРЕЖЕННЯ:** Під час перевантаження машини на 30%, вмикається червоний світлодіод 10. Машина не повинна працювати тривалий час у цьому режимі.

Поворот регулятора 8 з положення A у положення F викликає збільшення швидкості, частоти та сили ударів. Індикатор 9 світить миготливим зеленим кольором.

Режим роботи **ПОТУЖНИЙ УДАР (High Power)** встановлюється поворотом регулятора 8 у положення G. Режим характеризується збільшенням сили удару до 11 J. Індикатор 9 постійно горить зеленим кольором.

 **ЗАСТЕРЕЖЕННЯ:** Режим **ПОТУЖНИЙ УДАР (High Power)** рекомендується застосовувати тільки у разі руйнування та у короткочасної роботи у режимі ударного пробивання. Тривала робота у режимі ударного пробивання швидко втомлює оператора та підвищує зношуваність електроінструменту.

ВИБІР РОБОЧОГО РЕЖИМУ

Перемикання робочих режимів здійснюється у стані спокою.

Встановіть перемикач у робочі режими 6 у

вказаних на ньому напрямках до бажаного положення.

Перед кожним перемиканням робочих режимів патрон інструменту необхідно прокрутити злегка рукою вправо або вліво, щоб зафіксувати перемикання.

(1) – Пробивання ударом – для пробивання отворів у цегляній кладці, бетоні та інших матеріалах.

(2) - Зміна позиції долота - для фіксування позиції інструменту у бажаному кутовому положенні під час довбання і розбивання (див. «Зміна позиції долота»).

(3) – Молоток – для руйнування та довбання.



ЗАСТЕРЕЖЕННЯ: Повертайте перемикач робочих режимів тільки у зазначеному на ньому напрямку.

УСТАНОВКА SDS-MAX ІНСТРУМЕНТУ

Почистіть і змастіть хвостову частину інструменту перед тим, як поставити його у гніздо! Під час вставляння інструменту замикаюча муфта 2 затримується у верхньому (передньому) положенні. Вільно вставте інструмент у веретено. Повертайте інструмент в веретено до збігу шліців. Після збігу шліців інструмент вставляється вниз до упору (до виразного клацання фіксуючого механізму). Перевірте, чи добре закріплений інструмент, сильно смикаючи його назовні.



ЗАСТЕРЕЖЕННЯ: Під час роботи з долотом перемикач 6 повинен бути завжди встановлений у положення “молоток”.

ДЕМОНТАЖ SDS-MAX ІНСТРУМЕНТ

Замикаюча муфта 2 витягується назад до кінця й інструмент витягується.

ЗАМІНА ПОЗИЦІЇ ДОЛОТА

- Інструмент поміщається у гніздо згідно з описом в пункті “Установка SDS-max інструменту”.

- Перемикач режимів 6 повертається в положення “Зміна позиції долота”.

- Поверніть інструмент рукою до бажаного стану.

- Перемикач 6 встановити у положення “молоток”, після чого патрон інструменту прокру-

тити злегка рукою вліво і вправо для фіксування засувки.

Більший термін експлуатації перфоратора і високу продуктивність можна забезпечити лише добре заточеними інструментами для руйнування і довбання.

ДОДАТКОВА РУКОЯТКА

Завжди використовуйте додаткову рукоятку. Послабте рукоятку, закручуючи її наліво. Поверніть рукоятку в найбільш зручну для роботи позицію, після чого добре її затягніть.

Не несіть машину за додаткову рукоятку, якщо вона розхитана.

За допомогою обмежувальної лінійки 4 можна фіксувати глибину отворів довбання. Обмежувальна лінійка 4 фіксується гвинтом 3.

Додаткова рукоятка цих моделей монтована на корпус за допомогою віброгасильних елементів, які захищають оператора і знижують трудомісткість робіт.

РЕКОМЕНДАЦІЇ ЩОДО РОБОТИ

Під час буріння бетону застосовуйте помірний натиск (приблизно 100 - 150N). Значний за силою натиск не підвищує продуктивність і скорочує термін роботи машини.

Періодично виймайте свердло з отвору, щоб видалити пил.

Спостерігайте за ступенем гостроти свердла, замініть свердло у разі значного зниження продуктивності.

ПРИЛАДДЯ, ЩО МОЖЕ ВИКОРИСТОВУВАТИСЬ ІЗ ЦИМ ЕЛЕКТРОІНСТРУМЕНТОМ

- Спіральні свердла для бетону SDS-max діаметром від Ø12 до Ø40 mm. Рекомендується використовувати свердла від Ø24 до Ø2 mm для роботи, з якими оптимізовано електроінструмент.
- Свердла для прохідних отворів для бетону SDS-max діаметром до Ø55 mm:
- Бурильні коронки SDS-max діаметром до Ø90 mm
- Шило SDS-max довжиною до 600 mm;
- Долото SDS-max шириною до 80 mm;
- Долото SDS-max шириною до 32 mm;



ЗАСТЕРЕЖЕННЯ: Для цього електроінструменту рекомендується застосовувати зазначене вище приладдя та пристосування. Застосування іншого приладдя або інших пристосувань є передумовою нещасного випадку. Використовуйте приладдя або пристосування тільки за призначенням. Для додаткової інформації звертайтеся до місцевого сервісу SPARKY.

Обслуговування



ЗАСТЕРЕЖЕННЯ: Завжди вимикайте електроінструмент та виймайте штепсель із розетки перед тим, як розпочати будь-яку перевірку або обслуговування.

ЗАГАЛЬНА ПЕРЕВІРКА

Регулярно проводьте перевірку всіх кріплень - вони повинні бути міцно стягнуті. У випадку, якщо який-небудь гвинт відкрутиться, його слід негайно закрутити щоб уникнути небезпеки.

У разі пошкодження кабелю живлення, його заміну повинен здійснити виробник або його сервісний фахівець, щоб уникнути небезпеки.

ДОГЛЯД

Для забезпечення безпечної роботи завжди підтримуйте у чистоті і машину, й її вентиляційні отвори.

Регулярно перевіряйте вентиляційні отвори електродвигуна або перемикачів на наявність пилу або сторонніх тіл. Використовуйте м'яку щітку для видалення пилу. Щоб уникнути пошкодження очей, під час догляду за пристроєм користуйтеся захисними окулярами.

Якщо корпус машини забруднений, протріть його м'якою вологою серветкою. Можна використовувати щадний миючий препарат.



ЗАСТЕРЕЖЕННЯ: Не допускається застосування спирту, бензину та інших розчинників. Ніколи не користуйтеся їдкими препаратами для чищення пластмасових частин.



ЗАСТЕРЕЖЕННЯ: Не допускається попадання і контакт пристрою з водою.

ВАЖЛИВО! З метою забезпечення безпеки роботи електроінструменту і його надійності, всі ремонтні роботи, обслуговування і регулювання пристрою (враховуючи перевірку і заміну щіток) слід проводити у спеціалізованих сервісах SPARKY, використовуючи виключно оригінальні запасні частини.

БЕУДОВАНИЙ ПРОТИПИЛОВИЙ ЗАХИСТ

Захисне кільце 1 захищає гніздо інструменту від забруднення під час роботи. Під час вставлення інструменту дотримуйтеся обережності, щоб не пошкодити захисне кільце.



ЗАСТЕРЕЖЕННЯ: Негайно замініть захисне кільце у разі його пошкодження!

Для заміни захисного кільця 1, переведіть назад замикаючу муфту 2. Вхопіть захисне кільце і сильно витягніть його навскіс вперед. Поставте на веретено у злегка нахиленому положенні нове захисне кільце і сильно його притисніть.

ІНДИКАЦІЯ “СЕРВІСНЕ ОБСЛУГОВУВАННЯ”

Якщо червоний світлодіод 10 починає блимати, а машина продовжує працювати нормально, необхідна заміна щіток. Через приблизно 8 годин роботи щітки повністю зношуються і задіюють вимикач. Машина зупиняється, а індикатор продовжує блимати червоним кольором. Віднесіть машину в авторизований сервіс для заміни щіток і проведення профілактики.

Якщо машина перестає працювати до закінчення попереджувального 8-годинного періоду, а червоний світлодіод блимає, це означає, що електродвигун ймовірно пошкоджений. Якщо немає ніякої світлової індикації і машина не працює, це означає, що відсутнє живлення машини або що вимикач або шнур живлення пошкоджені.

ПРОФІЛАКТИЧНІ ОГЛЯД

Слід періодично надавати електроінструмент авторизованому сервісу SPARKY для проведення профілактичного огляду. Профілактичні огляди продовжать життя вашому електроінструменту.

Перший огляд: приблизно через 70 годин роботи. Проводиться оцінка функціонування машини й у разі необхідності здійснюється огляд електроінструменту.

Другий огляд: приблизно через 140 годин роботи або після зношування щіток. Проводиться повне очищення електроінструменту, огляд й усунення виниклих або потенційних дефектів (замінюються щітки й ущільнюючі кільця).

Третій огляд: після приблизно 250 годин роботи або у разі приблизно через 250 годин роботи або після зношування щіток. Проводиться повне очищення електроінструменту, огляд й усунення виниклих або потенційних дефектів (замінюються щітки й ущільнюючі кільця).

Четвертий огляд: пчерез приблизно 350 годин роботи або після зношування щіток. Проводиться повне очищення електроінструменту, огляд й усунення виниклих або потенційних дефектів, замінюються щітки і ущільнюючі кільця).

Гарантія

Гарантійний термін електроприладів SPARKY вказаний в гарантійній карті.

Несправності, що з'явилися в результаті природного зношування, перевантаження або неправильного користування, не входять до гарантійних зобов'язань.

Несправності, що з'явилися внаслідок застосування неякісних матеріалів та / або через виробничі помилки, усуваються без додаткової оплати шляхом заміни або ремонту.

Рекламації дефектного електроприладу SPARKY приймаються у тому випадку, якщо прилад буде повернуто постачальнику, або спеціалізованому гарантійного сервісу в не розібраному (початковому) стані.

Примітки

Уважно прочитайте всю інструкцію з експлуатації, перед тим, як приступити до використання виробу.

Виробник зберігає за собою право вносити у свої вироби поліпшення і зміни, а також змінювати специфікації без попередження.

Специфікації для різних країн можуть відрізнятися.

Съдържание

Въведение	101
Технически данни	103
Общи указания за безопасност при работа с електроинструменти	104
Допълнителни правила за безопасност при работа с перфоратори	106
Запознаване с електроинструмента	A/107
Указания за работа	108
Поддръжка	110
Гаранция	112

РАЗОПАКОВАНЕ

В съответствие с общоприетите технологии на едросерийно производство е малко вероятно Вашият електроинструмент да бъде неизправен или някоя от частите му да липсва. Ако забележите, че нещо не е наред, не работете с електроинструмента, докато повредената част не бъде заменена или неизправността не бъде отстранена. Неспазването на тази препоръка може да доведе до сериозна трудова злополука.

СГЛОБЯВАНЕ

Перфораторът се доставя опакован и напълно сглобен.

Въведение

Новопридобитият от Вас електроинструмент SPARKY ще надхвърли Вашите очаквания. Той е произведен в съответствие с високите стандарти на качеството на SPARKY, отговарящи на строгите изисквания на потребителя. Лесен за обслужване и безопасен при експлоатация, при правилна употреба този електроинструмент ще Ви служи надеждно дълги години.

ПРЕДУПРЕЖДЕНИЕ!



Внимателно прочетете цялата инструкция за използване преди да използвате новопридобития си електроинструмент SPARKY. Обърнете специално внимание на текстовете, които започват с думата “Предупреждение”. Вашият електроинструмент SPARKY притежава много качества, които ще улеснят Вашата работа. При разработката на този електроинструмент най-голямо внимание е обърнато на безопасността, експлоатационните качества и надеждността, които го правят лесен за поддръжка и експлоатация.



Не изхвърляйте електроинструменти заедно с битовите отпадъци!

Отпадъците от електрически изделия не трябва да се събират заедно с битовите отпадъци. Моля, рециклирайте на местата, предназначени за това. Свържете се с местните власти или представител за консултация относно рециклирането.

ОПАЗВАНЕ НА ОКОЛНАТА СРЕДА



С оглед опазване на околната среда електроинструментът, принадлежностите и опаковката трябва да бъдат подложени на подходяща преработка за повторно използване на съдържащите се в тях суровини.

За облекчаване на рециклирането детайлите, произведени от изкуствени материали, са обозначени по съответния начин.

ОПИСАНИЕ НА СИМВОЛИТЕ

Върху табелката с данни на електроинструмента са означени специални символи. Те предоставят важна информация за изделието или инструкциите за неговото ползване.



Двойна изолация за допълнителна защита.



Съответства на приложимите европейски директиви.



Съответства на изискванията на руските нормативни документи.



Съответства на изискванията на украинските нормативни документи.




Запознайте се с инструкцията за използване.

YYYY-Www Период на производство, където променливи символи са:
YYYY - година на производство,
ww - поредна календарна седмица.

BP Перфоратор.

Технически данни

Модел	BP 540CE
▪ Консумирана мощност	1010 W
▪ Обороти на празен ход	200-325/350 min ⁻¹
▪ Електронно регулиране на оборотите	да
▪ Константна електроника	да
▪ Смяна на посоката на въртене	не
▪ Предпазен механичен съединител	да
▪ Макс. честота на ударите	1900 - 3050/3300 min ⁻¹
▪ Енергия на единичен удар (ЕРТА процедура 05)	4 - 7, 6/8, 7 J
▪ Макс. диаметър на инструмента в бетон:	
спирални свредла	40 mm
свредла за проходни отвори	55 mm
боркорони	90 mm
▪ Позиции на длетото	24
▪ Закрепване на инструмента	SDS-max
▪ Тегло (ЕРТА процедура 01/2003)	6,0 kg
▪ Клас на защита (EN 60745-1) 	II

ИНФОРМАЦИЯ ЗА ШУМ И ВИБРАЦИИ

Стойностите са измерени съгласно EN 60745.

▪ Излъчване на шум

A-претеглено ниво на звуково налягане L_{pA}	95,0 dB (A)
Неопределеност K_{pA}	3,0 dB (A)
A-претеглено ниво на звукова мощност L_{wA}	106,0 dB (A)
Неопределеност K_{wA}	3,0 dB (A)

Използвайте средства за защита от шума!

▪ Излъчване на вибрации *

Обща стойност на вибрациите (векторна сума по трите оси), определена съгласно EN 60745:

Ударно пробиване в бетон	
Стойност на излъчените вибрации $a_{h,HD}$	13,5 m/s ²
Неопределеност K_{HD}	1,5 m/s ²
Къртене	
Стойност на излъчените вибрации $a_{h,CHeq}$	11,5 m/s ²
Неопределеност K_{CHeq}	1,5 m/s ²

* Вибрациите са определени съгласно т. 6.2.7 на EN 60745.

Посоченото в тази инструкция ниво на вибрации е измерено в съответствие с методиката за изпитване, указана в EN 60745 и може да се използва за сравняване на електроинструменти. Нивото на вибрации може да се използва за предварителна оценка на степента на въздействие.

Декларираното ниво на вибрации се отнася за основното предназначение на електроинструмента. В случаите, при които електроинструментът се използва за друго предназначение, с други принадлежности или ако електроинструментът не се поддържа добре, нивото на вибрации може се различава от посоченото. В тези случаи нивото на въздействие може значително да нарасне в границите на общия период на работа.

При оценката на нивото на въздействие на вибрации трябва също да се отчита времето, през което електроинструментът е изключен или е включен, но не се използва. Това може значително да понижи нивото на въздействие в границите на общия период на работа.

Поддържайте електроинструмента и принадлежностите в добро състояние. Пазете ръцете си топли по време на работа - това ще намали вредното въздействие при работа с повишени вибрации.

Прахът, отделян при обработването на материали като оловосъдържащи бои, някои видове дървесина, минерали и метали, може да бъде опасен за здравето. Допирът или вдишването на

праха може да предизвика алергични реакции и/или заболявания на дихателните пътища на оператора или на намиращи се в близост лица.

Някои видове прах, например от дъб или бук, се считат за канцерогенни, особено в комбинация с добавки за обработка на дървесина (хромат, консерванти). Материал, който съдържа азбест, трябва да се обработва само от специалисти.

- Когато това е възможно, използвайте прахоотвеждане.
 - За да се постигне висока степен на прахоулавяне, при работа с този електроинструмент използвайте прахосмукачка, предназначена за събиране на прах от дървесина или за прах от дървесина и/или минерален прах.
 - Осигурете добра вентилация на работното място.
 - Препоръчва се използването на защитна маска за прах с филтър клас P2.
- Спазвайте действащите във вашата страна разпоредби за обработване на съответните материали.

Общи указания за безопасност при работа с електро инструменти



ПРЕДУПРЕЖДЕНИЕ! Четете всички предупреждения и указания за безопасност. Неспазването на предупрежденията и указанията за безопасност може да предизвика поражение от електрически ток, пожар и/или сериозно нараняване.

Запазете всички предупреждения и указания за бъдещо ползване.

Терминът “електроинструмент” във всички описани по-долу предупреждения се отнася до вашия електроинструмент, захранван от мрежата (с шнур) и/или електроинструмент, захранван от акумулаторна батерия (без шнур).

1) Безопасност на работното място

- а) Поддържайте работното място чисто и добре осветено. Безпорядъкът и недостатъчното осветление са предпоставка за трудови злополуки.
- б) Не работете с електроинструменти в експлозивни атмосфери при наличие на запалими течности, газове или прах. Електроинструментите образуват искри, които могат да възпламенят праха или парите.
- в) Дръжте децата и страничните лица на разстояние, когато работите с електроинструмент. Разсейването може да доведе до загуба на контрол от Ваша страна.

2) Електрическа безопасност

- а) Щепселите на електроинструментите трябва да съответстват на контактите. Никога не променяйте щепсела по какъвто и да било начин. Не използвайте каквито и да са адаптерни щепсели за електроинструменти със защитно заземяване. Употребата на непроменени щепсели и съответстващите им контакти намалява риска за поражение от електрически ток.
- б) Избягвайте допир на тялото до земя или до заземени повърхности, такива като тръби, радиатори, кухненски печки и хладилници. Ако тялото ви е заземено, съществува повишен риск от поражение от електрически ток.
- в) Не излагайте електроинструментите на дъжд или във влажна среда. Проникването на вода в електроинструмента повишава риска от поражение от електрически ток.
- г) Използвайте шнура по предназначение. Никога не използвайте шнура за носене на електроинструмента, опъване или изваждане на щепсела от контактното гнездо. Дръжте шнура далече от топлина, масло, остри ръбове или движещи се части. Увредени или оплетени шнурове повишават риска за поражение от електрически ток.
- д) При работа с електроинструмента на открито, използвайте удължител, подходящ за работа на открито. Използването на удължител, подходящ за работа на открито, намалява риска от поражение от електрически ток.
- е) Ако работата с електроинструмента във влажна среда е неизбежна, използвайте предпазно устройство, задействано от остатъчен ток, за прекъсване на за-

хранването. Използването на предпазно устройство намалява риска от поражение от електрически ток.

3) Лична безопасност

- a) Бъдете бдителни, работете с повишено внимание и проявявайте благодарумие, когато работите с електроинструмент. Не използвайте електроинструмента, когато сте уморени или под влияние на наркотици, алкохол или медикаменти. Момент на невнимание при работа с електроинструмент може да предизвика сериозна трудова злополука.
- b) Използвайте лични предпазни средства. Носете винаги средства за защита на очите. Лични предпазни средства, като маска против прах, неплъзгащи се безопасни обувки, защитен шлем или средства за защита на слуха, използвани при конкретните условия, намаляват риска от трудови злополуки.
- c) Избягвайте неволно пускане. Убедете се, че прекъсвачът е в изключено положение преди включване към източник на захранване и/или акумулаторна батерия, преди да го вземете или пренасяте. Носенето на електроинструмент с пръст върху прекъсвача или свързването към източник на захранване на електроинструмент с прекъсвач във включено положение е предпоставка за трудова злополука.
- d) Отстранете всеки ключ за затягане или гаечен ключ преди включване на електроинструмента. Ключ за затягане или гаечен ключ, прикрепен към въртяща се част на електроинструмента, може да предизвика трудова злополука.
- e) Не се пресягайте. Поддържайте правилен стоеж и равновесие през цялото време. Това позволява по-добро управление на електроинструмента при неочаквани ситуации.
- f) Носете подходящо работно облекло. Не носете широки дрехи или бижута. Дръжте косите си, дрехите и ръкавиците далеч от движещи се части. Широки дрехи, бижута или дълги коси могат да се захванат от движещи се части.
- g) Ако електроинструментът е снабден с приспособления за засмукване и ула-

вяне на прах, убедете се, че те са свързани и правилно използвани. Използването на тези устройства може да намали свързаните с прах опасности.

4) Използване и грижи за електроинструментите

- a) Не претоварвайте електроинструмента. Използвайте правилно избрания електроинструмент според приложението. Правилно избраният електроинструмент работи по-добре и по-безопасно при обявения режим на работа, за който е проектиран.
- b) Не използвайте електроинструмента, ако прекъсвачът не превключва във включено и изключено положение. Всеки електроинструмент, който не може да бъде управляван с прекъсвач, е опасен и трябва да бъде ремонтиран.
- c) Разединете щепсела от захранващата мрежа преди да извършите всякакви настройки, преди замяна на принадлежности или преди да приберете електроинструмента за съхранение. Тези предпазни мерки за безопасност намаляват риска от неволно пускане на електроинструмента.
- d) Съхранявайте използваните електроинструменти на места, недостъпни за деца и не позволявайте на обслужващи лица, които не познават електроинструмента или не са запознати с тези инструкции, да работят с него. Електроинструментите са опасни в ръцете на необучени потребители.
- e) Поддържайте електроинструментите. Проверявайте движещите се части дали функционират нормално и се движат свободно, целостта и изправността на частите, както и за всякакво друго обстоятелство, което може неблагоприятно да повлияе на работата на електроинструмента. Ако е повреден, електроинструментът трябва да бъде ремонтиран преди по-нататъшно използване. Много злополуки са причинени от лошо поддържани електроинструменти.
- f) Поддържайте режещите инструменти остри и чисти. Правилно поддържаните режещи инструменти с остри режещи ръбове е по-малко вероятно да блокират и са по-лесни за управление.
- g) Използвайте електроинструмента, принадлежностите и частите на инстру-

мента и т.н. в съответствие с тези инструкции и по начин, предвиден за конкретния тип електроинструмент, като вземате предвид работните условия и работата, която трябва да се извършва. Използването на електроинструмента за работа, различна от тази, за която е проектиран, може да предизвика опасна ситуация.

5) Обслужване

а) Поддържайте вашия електроинструмент при квалифициран специалист по ремонта, като използвате само оригиналните резервни части. Това осигурява запазването на безопасността на електроинструмента.

Допълнителни указания за безопасност при работа с перфоратори



Използвайте средства за защита на слуха при работа с електроинструмента. Интензивният шум по време на работа може да предизвика слухови увреждания.

• Винаги използвайте допълнителната ръкохватка, доставена с машината. Загубата на контрол може да предизвика трудова злополука



По време на работа използвайте средства за защита на зрението, за да се предпазите от хвърчащи частици. Носете защитни очила.



Вземете предпазни мерки срещу вдишване на прах. Някои материали могат да съдържат токсични съставки. Носете прахозащитна маска. Използвайте устройство за прахоотвеждане, ако е възможно присъединяването му към електроинструмента.

• Дръжте електроинструмента само за изолираните повърхности за захващане когато извършвате операция, при която режещата принадлежност може да допре до скрита ел.инсталация или до собствения шнур. Допирът на режещата принадлежност до проводник под напрежение ще постави откритите метални части на електроинструмента

под напрежение и операторът ще получи токов удар.

- Не обработвайте материали, съдържащи азбест. Азбестът се счита за канцерогенно вещество.



ПРЕДУПРЕЖДЕНИЕ: Преди да свържете електроинструмента към захранващата мрежа, убедете се че захранващото напрежение отговаря на посоченото върху табелката с технически данни на електроинструмента.

- Източник на захранване с напрежение, по-високо от посоченото за електроинструмента, може да предизвика както сериозно поражение от електрически ток върху оператора, така и повреда на електроинструмента.
- Ако имате някакви колебания, не поставяйте щепсела на електроинструмента в контактното гнездо.
- Използването на източник на захранване с напрежение, по-ниско от обозначеното върху табелката на електроинструмента, ще увреди електродвигателя.
- За да се предотврати евентуално прегряване, винаги развивайте докрай кабела от удължител с кабелен барабан.
- Когато се налага използването на удължител, убедете се, че сечението му отговаря на номиналния ток на използвания електроинструмент, както и в изправността на удължителя.



ПРЕДУПРЕЖДЕНИЕ: Винаги изключвайте електроинструмента и изваждайте щепсела от контакта преди извършване на каквато и да било настройка, обслужване или поддръжка.

- Докато работите винаги дръжте машината здраво с двете си ръце и поддържайте стабилно положение на тялото. Електроинструментът се направлява безопасно, когато го държите с две ръце.
- Преди започване на работа проверявайте с подходящ металотърсач за наличието на скрита електроинсталация, газопровод или водопровод или потърсете съдействие от съответните местни служби. Допирът на свредлото до скрита електроинсталация може да предизвика поражение от електрически ток. Повредата на газопровод може да предизвика експлозия. Пробива-

нето на водопровод ще предизвика повреда на собственост или поражение от електрически ток.

- Дръжте захранващия кабел извън работния обхват на машината.
- Не използвайте електроинструмента с повреден кабел. Не докосвайте повредения кабел и извадете щепсела от контакта, ако кабелът се повреди по време на работа. Повредените кабели повишават риска от токов удар.
- Винаги поддържайте стабилно положение на тялото си. Когато работите с електроинструмента на височина, убедете се, че под вас няма никой.
- Фиксирайте обработвания детайл в менгеме или по друг подходящ начин.
- Следете инерционния момент при пускане на електроинструмента или при заклиняване на свредлото. Веднага изключете електроинструмента ако свредлото блокира. Бъдете нащрек за висок реактивен момент, който може да предизвика откат. Свредлото ще блокира ако претоварите електроинструмента или ако то се заклини в обработвания материал.
- Не докосвайте свредлото или обработвания детайл веднага след работа. Те могат да бъдат много горещи и да предизвикат изгаряне на кожата.
- Поддържайте чисто работното място. Смесването на прах от различни материали е особено опасно. Прахът от леки метали може да гори или експлодира.
- Никога не оставяйте парцали, кълчища, проводници или тел в близост до работното място.
- Винаги изключвайте машината преди да я оставите настрана.
- Електроинструментът трябва да се използва само по предназначение. Всякаква друга употреба, различаваща се от описаната в тази инструкция, ще се счита за неправилна употреба. Отговорността за всякаква повреда или нараняване, произтичащи от неправилна употреба, ще се носи от потребителя, а не от производителя.
- За да експлоатирате правилно този електроинструмент, трябва да съблюдавате правилата за безопасност, общите инструкции и указанията за работа, посочени тук. Всички потребители трябва да са запознати с тази инструкция за експлоатация и информирани за потенциалните рискове при работата с електроинструмента. Деца и физически слаби хора не трябва да из-

ползват електроинструмента. Децата трябва да бъдат под непрекъснато наблюдение ако се намират в близост до място, където се работи с електроинструмента. Задължително е да предприемете и превантивни мерки за безопасност. Същото се отнася и за спазването на основните правила за професионалното здраве и безопасност.

- Производителят не носи отговорност за извършени от потребителя промени върху електроинструмента или за повреди, предизвикани от подобни промени.
- Електроинструментът е предназначен за работа в помещения и зони с нормална пожарна опасност съгласно "НАРЕДБА № 13-1971 за строително-технически правила и норми за осигуряване на безопасност при пожар". Не се допуска използването му във взривоопасна и пожароопасна среда, при температура на околния въздух над 40°C, в особено влажна среда, при наличие на валяжи и в химически активна среда. Работното място трябва да е добре осветено.



ПРЕДУПРЕЖДЕНИЕ: При работа с длето, превключвателят б трябва да бъде винаги в положение "чук"!

Запознаване с електроинструмента

Преди да започнете да работите с електроинструмента се запознайте с всички оперативни особености и условия за безопасност. Използвайте електроинструмента и принадлежностите му само по предназначение. Всяко друго приложение е изрично забранено.

1. Защитен пръстен
2. Заклучваща муфа
3. Винт
4. Ограничителна линия
5. Вентилационни отвори
6. Превключвател на работните режими
7. Прекъсвач
8. Регулатор на честотата на въртене
9. Индикатор за режимите
10. Индикатор за износване на четките и претоварване
11. Вентилационни отвори
12. Допълнителна ръкохватка

Указания за работа

Този електроинструмент се захранва само с еднофазно променливо напрежение. Той е с двойна изолация съгласно EN 60745-1 и IEC 60745 и може да се присъединява към контакти без защитни клеми. Радиосмущенията съответстват на Директивата за електромагнитна съвместимост 2004/108/ЕС.

Този електроинструмент е предназначен за ударно, разбиване пробиване и къртене в зидария, бетон и скали с голяма производителност.



Електроинструментът е снабден с механизъм за снижаване на вибрациите, който намалява вибрациите с над 50%.

ПРЕДИ ДА ЗАПОЧНЕТЕ РАБОТА

- Проверете дали напрежението на електрическата мрежа отговаря на това, означено върху табелката с технически данни на електроинструмента.
- Проверете в какво положение се намира прекъсвачът. Електроинструментът трябва да се присъединява и отделя от захранващата мрежа само при изключен прекъсвач. Ако поставите щепсела в контакт докато прекъсвачът е във включено положение, електроинструментът веднага ще се задейства, което е предпоставка за злополука.
- Убедете се в изправността на захранващия кабел и щепсел. Ако захранващият кабел е повреден, заменяната трябва да се извърши от производителя или от негов сервизен специалист, за да се избегнат опасностите от замената.



ПРЕДУПРЕЖДЕНИЕ: Винаги изключвайте електроинструмента и изваждайте щепсела от контакта преди извършване на всякава настройка, обслужване или поддръжка.

- Ако зоната на работа е отдалечена от източника на захранване, използвайте колкото е възможно по-къс удължител с подходящо сечение.
- Проверете дали допълнителната ръкохватка е правилно поставена и надеждно затегната.

ПУСКАНЕ - СПИРАНЕ

- Пускане: Прекъсвач 7 се натиска и задържа.
- Спиране: Прекъсвач 7 се отпуска.

При ниски температури къртенето с електроинструмента трябва да започне едва след като е работил около 3 минути на празен ход.



ПРЕДУПРЕЖДЕНИЕ: При претоварване на машината с 30%, светва червеният светодиод 10. Машината не трябва да работи продължително време в този режим.

ИЗБОР НА СКОРОСТ, ЧЕСТОТА И ЕНЕРГИЯ НА УДАРИТЕ

Чрез завъртането на регулатор 8 се избира подходяща скорост, честота и енергия на ударите в зависимост от обработвания материал. Константната електроника поддържа скоростта, честотата и енергията на ударите постоянни, независимо от натоварването, което осигурява еднакъв режим при работа. Препоръчително е да се използват посочените в таблицата режими на работа.

Област на приложение	Положение на регулатора	Скорост на въртене	Честота на ударите	Енергия на единичен удар
Мазилка / леки строителни материали	A-B	200-225 min ⁻¹	1900-2100 min ⁻¹	4 J
Тухли / къртене на плочки	C-D	250-275 min ⁻¹	2350-2600 min ⁻¹	6-7 J
Пробиване на бетон	E-F	300-325 min ⁻¹	2850-3050 min ⁻¹	8-9 J
Къртене на бетон	G		3300 min ⁻¹	11 J

Завъртането на регулатор 8 от положение А до F предизвиква нарастване на скоростта, честотата и енергията на ударите. Индикаторът 9 свети с мигаща зелена светлина.

Режим на работа МОЩЕН УДАР (High Power) се избира със завъртане на регулатор 8 в положение G. Режимът се характеризира с увеличена енергия на удара до 11 J. Индикаторът 9 свети с постоянна зелена светлина.



ПРЕДУПРЕЖДЕНИЕ: Използването на режим МОЩЕН УДАР (High Power) се препоръчва само при къртене и при кратковременна работа в режим ударно пробиване. Продължителната работа в режим ударно пробиване води до бърза умора на оператора и повишено износване на машината.

ИЗБОР НА РАБОТЕН РЕЖИМ

Превключването на работните режими да се извършва в покой.

Завъртете превключвателя на работните режими 6 в указаната върху него посока до желаното положение.

При всяко превключване на работните режими инструментът трябва да се завърта леко с ръка наляво-надясно докато се фиксира.

(1) - Ударно пробиване - за пробиване на отвори в зидария, бетон и други материали.

(2) - Смяна на позицията на длетото - за фиксиране позицията на инструмента в желаното ъглово положение при къртене и дълбане (виж точка "Смяна на позицията на длетото").

(3) - Чук - за къртене и дълбане.



ПРЕДУПРЕЖДЕНИЕ: Завъртайте превключвателя на работните режими само в указаната върху него посока.

ПОСТАВЯНЕ НА SDS-MAX ИНСТРУМЕНТ

Почистете и смажете опашката на инструмента преди поставянето му в гнездото!

По време на поставяне на инструмента заключващата муфта 2 да се задържа в горно (предно) положение.

Свободно поставете инструмента във вретеното.

Завъртете инструмента във вретеното до съвпадане на шлиците.

След съвпадане на шлиците, инструментът се вкарва надолу до упор (до отчетливо прецракване на фиксиращия механизъм). Проверете дали инструментът е добре закрепен като го издърпате силно навън.



ПРЕДУПРЕЖДЕНИЕ: При работа с длето, превключвателя 6 трябва да бъде винаги в положение "чук".

СХЕМАНЕ НА SDS-MAX ИНСТРУМЕНТ

Заклучващата муфта 2 се изтегля назад до край и инструментът се изважда.

СМЯНА НА ПОЗИЦИЯТА НА ДЛЕТОТО

- поставя се инструмента в гнездото както е описано в точка "Поставяне на SDS-max инструмент".

- превключвателя на работните режими 6 се завърта в положение "Смяна на позицията на длетото".

- инструментът се завърта с ръка до желаното положение.

- превключвателя на работните режими 6 се завърта в положение "чук", след което инструментът се завърта леко с ръка наляво-надясно докато се заключи.

По-голяма дълготрайност на перфоратора и висока производителност могат да се постигнат само с добре заточени инструменти за къртене и дълбане.

ДОПЪЛНИТЕЛНА РЪКОХВАТКА

Използвайте винаги допълнителната ръкохватка.

Разхлабете ръкохватката като я развийте наляво. Завъртете ръкохватката в най-удобната за работа позиция, след което добре я затегнете.

Не носете машината за допълнителната ръкохватка, когато тя е разхлабена.

Посредством ограничителна линия 4 може да се фиксира дълбочината на пробиваните отвори. Ограничителната линия 4 се фиксира с винта 3.

Допълнителната ръкохватка на тези модели е свързана с корпуса на машината посредством виброгасящи елементи, което защитава оператора и намалява умората при работата.

ПРЕПОРЪКИ ПРИ РАБОТА

Прилагайте умерен натиск при пробиване в бетон (приблизително 100 - 150N). Големият натиск не повишава производителността при пробиване и води до намаляване живота на машината.

От време на време изваждайте свредлото от отвора, за да се отстрани праха.

Да се следи степента на затъпяване на свредлото и да се сменя, когато се забележи значително намаляване на производителността.

ПРИНАДЛЕЖНОСТИ, КОИТО МОГАТ ДА БЪДАТ ИЗПОЛЗВАНИ С ТОЗИ ЕЛЕКТРОИНСТРУМЕНТ

- Спирални свредла за бетон SDS-max с диаметър от Ø12 до Ø40 mm. Препоръчва се употреба със свредла от Ø24 до Ø32 mm, за работа с които електроинструментът е оптимизиран
- Свредла за проходни отвори за бетон SDS-max с диаметър до Ø55 mm
- Боркорони SDS-max с диаметър до Ø90 mm
- Шила SDS-max с дължина до 600 mm
- Длета SDS-max с ширина до 80 mm
- Каналокопачи SDS-max с ширина до 32 mm



ПРЕДУПРЕЖДЕНИЕ: За работа с този електроинструмент се препоръчват горепосочените принадлежности или приспособления. Употребата на принадлежности или приспособления, различни от посочените, е предпоставка за трудова злополука. Използвайте принадлежностите или приспособленията само по предназначение. Ако се нуждаете от допълнителна информация относно тези принадлежности, обърнете се към местния сервиз на SPARKY.

Поддръжка



ПРЕДУПРЕЖДЕНИЕ: Винаги изключвайте електроинструмента и изваждайте щепсела от контакта преди всякаква проверка или поддръжка.

ОБЩА ПРОВЕРКА

Проверявайте редовно всички крепежни елементи и се уверете, че те са здраво притегнати. В случай, че някой от винтовете се е разхлабил, го затегнете незабавно, за да избегнете рисковите ситуации.

Ако охранващият кабел е повреден, замената трябва да се извърши от производителя или негов сервизен специалист, за да се избегнат опасностите от замената.

ПОЧИСТВАНЕ

За безопасна работа поддържайте винаги чисти машината и вентилационните отвори. Редовно проверявайте дали във вентилационната решетка близо до електродвигателя или около превключвателите не е проникнал прах или чужди тела. Използвайте мека четка за да отстраните събралия се прах. За да предпазите очите си, по време на почистването носете защитни очила.

Ако корпусът на машината се нуждае от почистване, избършете го с мека влажна кърпа. Може да се използва слаб препарат за миене.



ПРЕДУПРЕЖДЕНИЕ: Не се допуска употребата на спирт, бензин или други разтворители. Никога не използвайте разяждащи препарати за почистване на пластмасовите части.



ПРЕДУПРЕЖДЕНИЕ: Не се допуска влизането на вода в контакт с машината.

ВАЖНО! За да се осигури безопасната работа с електроинструмента и неговата надеждност, всички дейности по ремонта, поддръжката и регулирането (включително проверката и подмяната на четките) трябва да се извършват в оторизираните сервиси на SPARKY с използване само на оригинални резервни части.

ВГРАДЕНА ПРОТИВОПРАХОВА ЗАЩИТА

Защитният пръстен 1 предпазва гнездото за инструмента от замърсяване по време на работа. При поставяне на инструмента, внимавайте да не повредите защитния пръстен.



ПРЕДУПРЕЖДЕНИЕ: Незабавно заменяйте защитния пръстен ако се повреди!

За да замените защитния пръстен 1 издърпайте назад заключващата муфта 2. Захванете защитния пръстен и го издърпайте силно косо напред. Поставете на вретеното леко наклонен новия защитен пръстен и го притиснете силно.

ИНДИКАЦИЯ “СЕРВИЗНО ОБСЛУЖВАНЕ”

Когато червеният светодиод 10 започне да мига, а машината продължава да работи нормално, необходима е подмяна на четките. След приблизително 8 часа работа четките се износват напълно и се задейства изключвателя. Машината спира, а индикаторът продължава да мига с червена светлина. Занесете машината в оторизирани сервиси за смяна на четките и профилактика.

Ако машината не работи без да е минал предупредителния период от 8 часа, а червеният светодиод 10 мига, това означава, че електродвигателят вероятно е повреден. Ако няма никаква светлинна индикация и машината не работи, това означава, че липсва захранване до машината или прекъсвачът или захранващият шнур са повредени.

ПРОФИЛАКТИЧЕН ПРЕГЛЕД

Периодично електроинструмента да се представя в оторизиран сервиз на SPARKY за извършване на профилактичен преглед. Профилактичните прегледи ще удължат живота на вашия електроинструмент.

Първи преглед - след приблизително 70 часа работа.

Извършва се оценка на функционирането на машината и при необходимост се прави преглед на електроинструмента

Втори преглед - след приблизително 140 часа работа или след износване на четките.

Извършва се основно почистване на електроинструмента, преглед и отстраняване на възникнали или потенциални дефекти (заменяат се четки и уплътнителни пръстени).

Трети преглед - след приблизително 250 часа работа или след износване на четките.

Извършва се основно почистване на електроинструмента, преглед и отстраняване на възникнали или потенциални дефекти (заменяат се четки и уплътнителни пръстени).

Четвърти преглед - след приблизително 350 часа работа или след износване на четките.

Извършва се основно почистване на електроинструмента, преглед и отстраняване на възникнали или потенциални дефекти (заменяат се четки и уплътнителни пръстени).

VIII - Гаранция

Гаранционният срок на електроинструментите SPARKY се определя в гаранционна карта.

Неизправности, появили се в следствие на естествено износване, претоварване или неправилна експлоатация, се изключват от гаранционните задължения.

Неизправности, появили се в следствие на влагане на некачествени материали и/или производствени грешки, се отстраняват без допълнително заплащане чрез замяна или ремонт.

Рекламация на дефектирал електроинструмент SPARKY се признава, когато машината се върне на доставчика или се представи на оторизиран гаранционен сервиз в неразглобено (първоначално) състояние.

Забележки

Внимателно прочетете цялата инструкция за използване преди да използвате това изделие.

Производителят си запазва правото да въвежда подобрения и промени в своите изделия и да променя спецификациите без предупреждение.

Спецификациите могат да се различават за отделните страни.