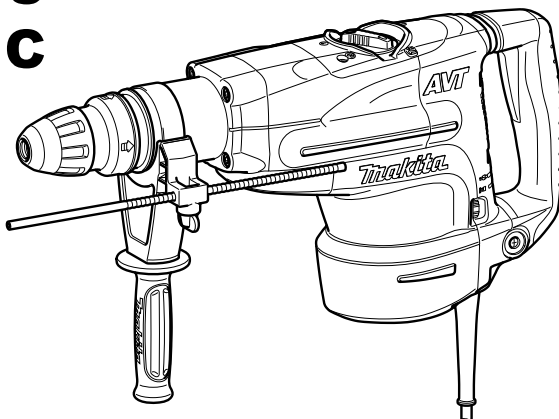
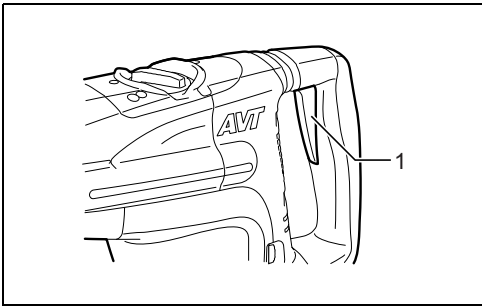




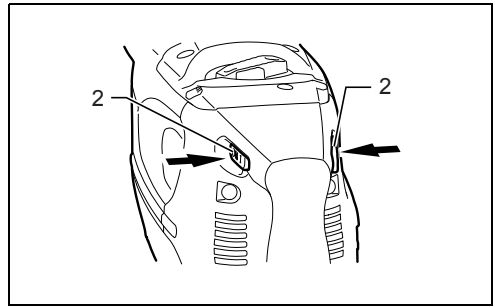
GB Rotary Hammer	Instruction manual
F Marteau rotatif	Manuel d'instructions
D Bohrhammer	Betriebsanleitung
I Martello rotativo	Istruzioni per l'uso
NL Drillboor	Gebruiksaanwijzing
E Martillo rotativo	Manual de instrucciones
P Martelo rotativo	Manual de instruções
DK Borehammer	Brugsanvisning
GR Περιστροφικό δρέπανο	Οδηγίες χρήσης

HR5201C
HR5210C
HR5211C

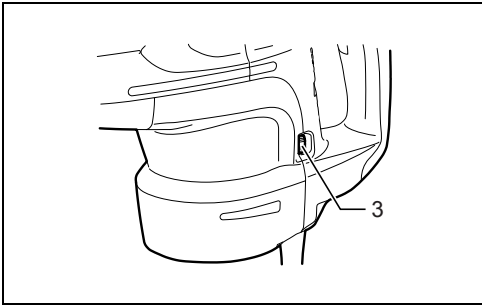




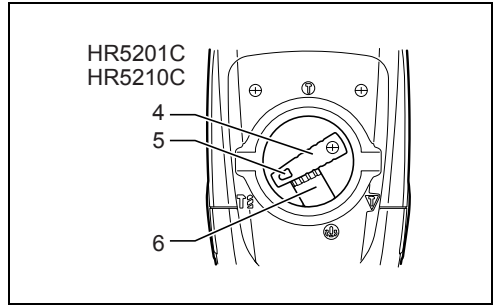
1



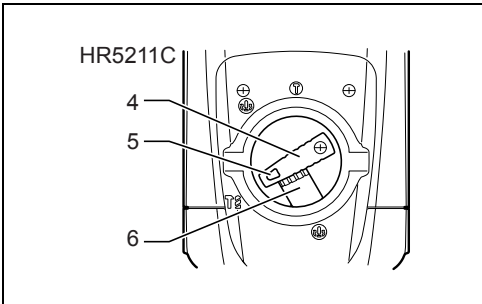
2



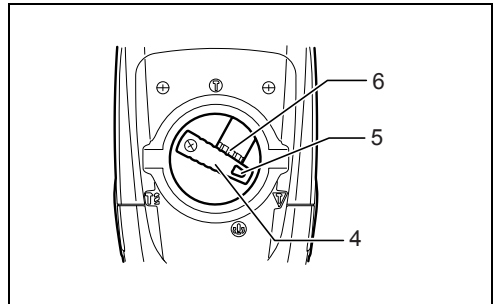
3



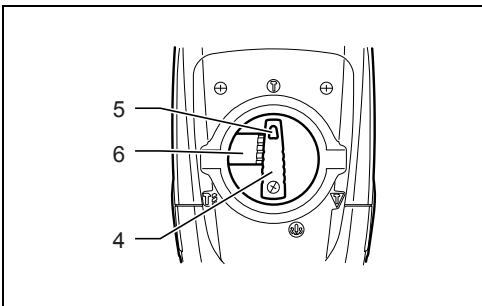
4



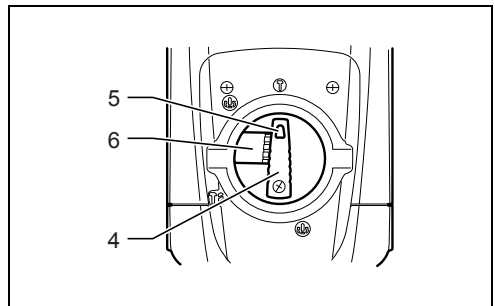
5



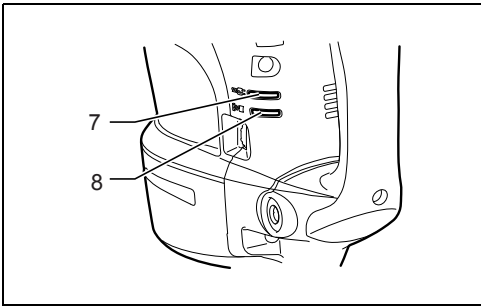
6



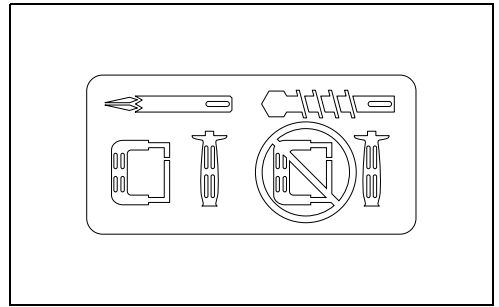
7



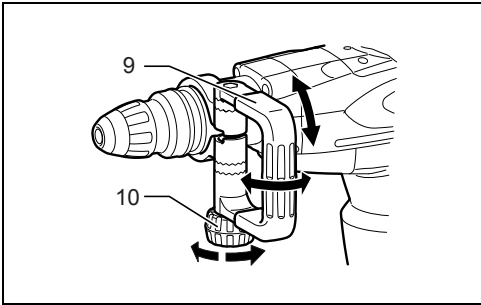
8



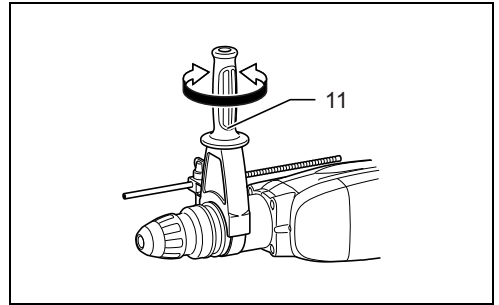
9



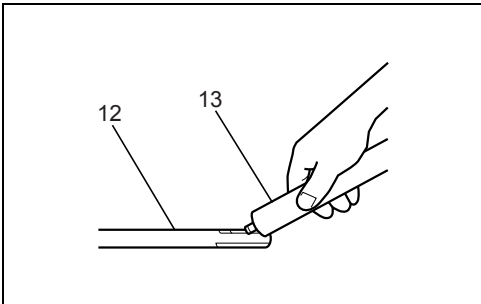
10



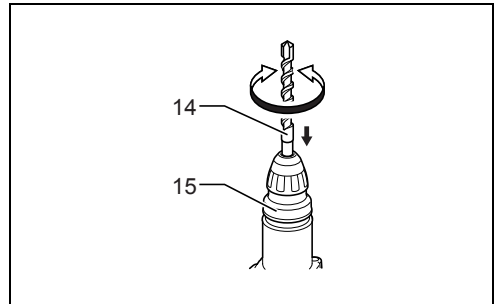
11



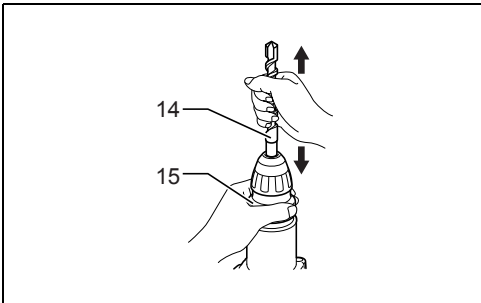
12



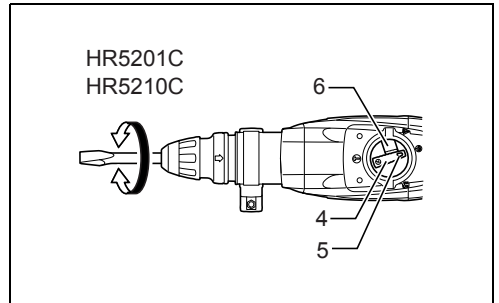
13



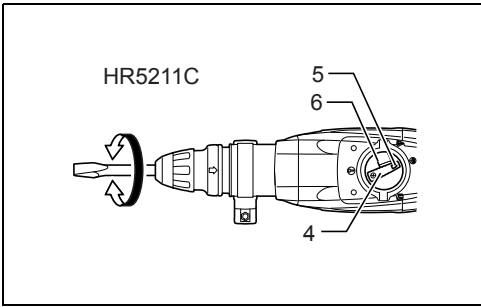
14



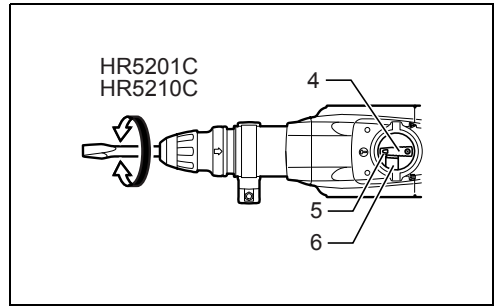
15



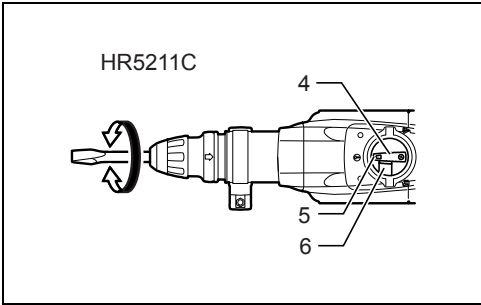
16



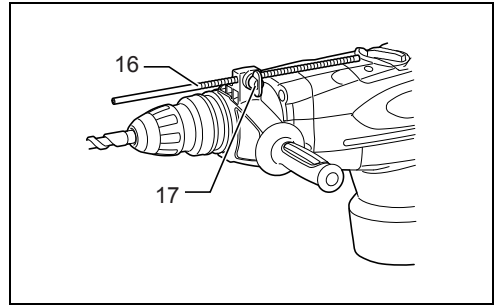
17



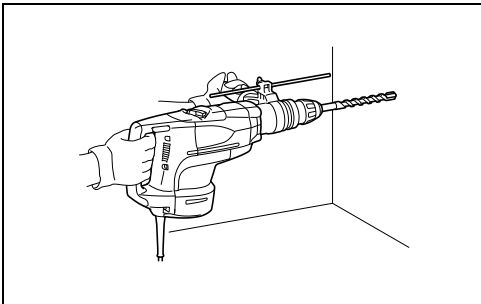
18



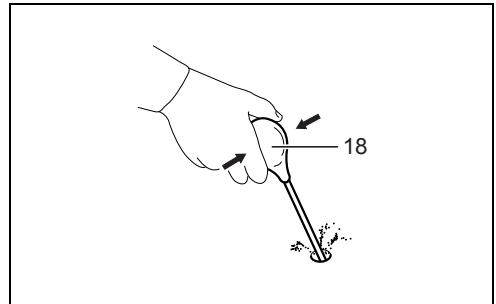
19



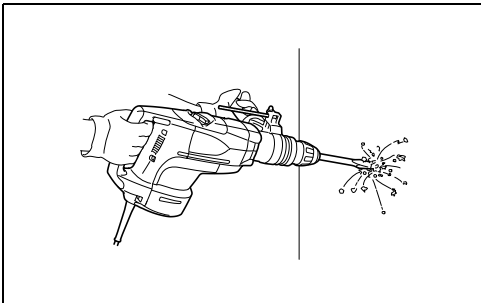
20



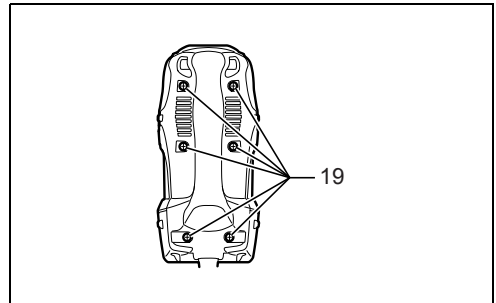
21



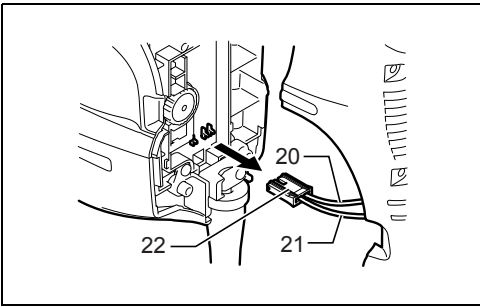
22



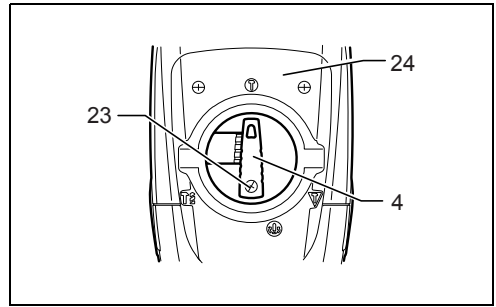
23



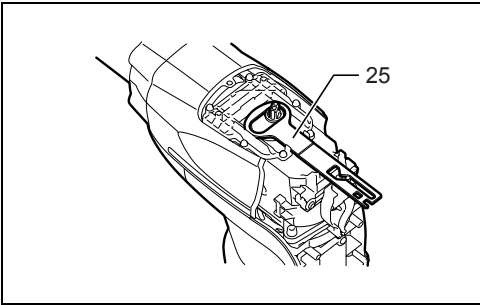
24



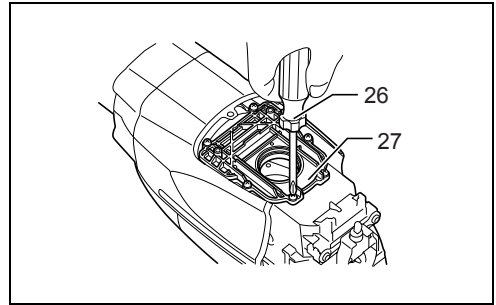
25



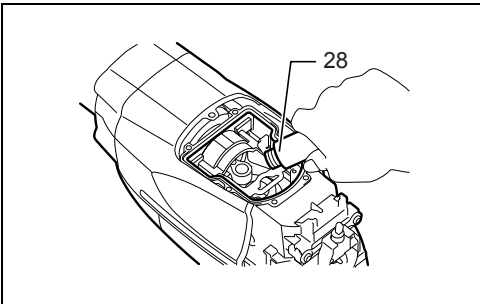
26



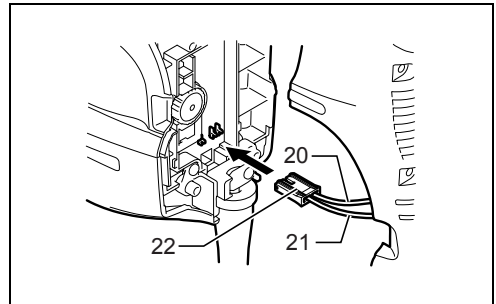
27



28



29



30

ENGLISH (Original instructions)

Explanation of general view

- | | | |
|------------------------------------|-------------------|---------------------|
| 1. Switch trigger | 11. Side grip | 21. White |
| 2. Switch lever | 12. Bit shank | 22. Connector |
| 3. Adjusting dial | 13. Bit grease | 23. Screw |
| 4. Change lever | 14. Bit | 24. Crank cap cover |
| 5. Pointer | 15. Chuck cover | 25. Control plate |
| 6. Lock button | 16. Depth gauge | 26. Screwdriver |
| 7. Power-ON indicator lamp (green) | 17. Clamp screw | 27. Crank cap |
| 8. Service indicator lamp (red) | 18. Blow-out bulb | 28. Hammer grease |
| 9. Side handle | 19. Screws | |
| 10. Clamp nut | 20. Black | |

SPECIFICATIONS

Model		HR5201C	HR5210C	HR5211C
Capacities	Carbide-tipped bit	52 mm		
	Core bit	160 mm		
No load speed (min ⁻¹)		130 - 260		
Blows per minute		1,075 - 2,150		
Overall length		599 mm		
Net weight		11.3 kg	12.1kg	12.2 kg
Safety class		II/II		

- Due to our continuing program of research and development, the specifications herein are subject to change without notice.
- Specifications may differ from country to country.
- Weight according to EPTA-Procedure 01/2003

Intended use ENE044-1

The tool is intended for hammer drilling in brick, concrete and stone as well as for chiselling work.

Power supply ENF002-1

The tool should be connected only to a power supply of the same voltage as indicated on the nameplate, and can only be operated on single-phase AC supply. They are double-insulated in accordance with European Standard and can, therefore, also be used from sockets without earth wire.

General Power Tool Safety Warnings

GEA010-1

⚠ WARNING Read all safety warnings and all instructions. Failure to follow the warnings and instructions may result in electric shock, fire and/or serious injury.

Save all warnings and instructions for future reference.

ROTARY HAMMER SAFETY WARNINGS

GEB007-7

1. **Wear ear protectors.** Exposure to noise can cause hearing loss.
2. **Use auxiliary handle(s), if supplied with the tool.** Loss of control can cause personal injury.
3. **Hold power tool by insulated gripping surfaces, when performing an operation where the cutting accessory may contact hidden wiring or its own cord.** Cutting accessory contacting a "live" wire may make exposed metal parts of the power tool "live" and could give the operator an electric shock.
4. **Wear a hard hat (safety helmet), safety glasses and/or face shield. Ordinary eye or sun glasses are NOT safety glasses. It is also highly recommended that you wear a dust mask and thickly padded gloves.**
5. **Be sure the bit is secured in place before operation.**
6. **Under normal operation, the tool is designed to produce vibration. The screws can come loose easily, causing a breakdown or accident. Check tightness of screws carefully before operation.**
7. **In cold weather or when the tool has not been used for a long time, let the tool warm up for a while by operating it under no load. This will loosen up the lubrication. Without proper warm-up, hammering operation is difficult.**
8. **Always be sure you have a firm footing. Be sure no one is below when using the tool in high locations.**
9. **Hold the tool firmly with both hands.**
10. **Keep hands away from moving parts.**
11. **Do not leave the tool running. Operate the tool only when hand-held.**
12. **Do not point the tool at any one in the area when operating. The bit could fly out and injure someone seriously.**

13. **Do not touch the bit or parts close to the bit immediately after operation; they may be extremely hot and could burn your skin.**
14. **Some material contains chemicals which may be toxic. Take caution to prevent dust inhalation and skin contact. Follow material supplier safety data.**

SAVE THESE INSTRUCTIONS.

WARNING:

DO NOT let comfort or familiarity with product (gained from repeated use) replace strict adherence to safety rules for the subject product. MISUSE or failure to follow the safety rules stated in this instruction manual may cause serious personal injury.

FUNCTIONAL DESCRIPTION

CAUTION:

- Always be sure that the tool is switched off and unplugged before adjusting or checking function on the tool.

Switch action (Fig. 1)

FOR MODEL HR5211C

CAUTION:

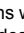
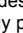
- Before plugging in the tool, always check to see that the switch trigger actuates properly and returns to the "OFF" position when released.

To start the tool, simply pull the switch trigger. Release the switch trigger to stop.

FOR MODELS HR5210C/HR5201C

Trigger switch

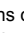
CAUTION:

- Before plugging in the tool, always check to see that the switch trigger actuates properly and returns to the "OFF" position when released.
- This switch functions when setting the tool in  symbol and  symbol modes.

To start the tool, simply pull the switch trigger. Release the switch trigger to stop.

Slide switch

CAUTION:

- Before plugging in the tool, always check to see that the tool is switched off.
- This switch functions only when setting the tool in  symbol action mode.

When using the tool in the hammering mode for a long time, the slide switch is available. To start the tool, push the "I (ON)" side of the switch lever. To stop the tool, push the "O (OFF)" side of the switch lever. (Fig. 2)

Speed change (Fig. 3)

The revolutions and blows per minute can be adjusted just by turning the adjusting dial. The dial is marked 1 (lowest speed) to 5 (full speed).

Refer to the table below for the relationship between the number settings on the adjusting dial and the revolutions/blows per minute.


Number on adjusting dial	Revolutions per minute	Blows per minute
5	260	2,150
4	240	2,000
3	190	1,600
2	150	1,250
1	130	1,075

CAUTION:

- If the tool is operated continuously at low speeds for a long time, the motor will get overloaded, resulting in tool malfunction.
- The speed adjusting dial can be turned only as far as 5 and back to 1. Do not force it past 5 or 1, or the speed adjusting function may no longer work.

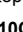
Selecting the action mode

Rotation with hammering (Fig. 4 & 5)

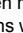
For drilling in concrete, masonry, etc., depress the lock button and rotate the change lever so that the pointer points to the  symbol. Use a tungsten-carbide tipped bit.

Hammering only

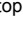
FOR MODEL HR5201C AND HR5210C (Fig. 6)

For chipping, scaling or demolition operations, depress the lock button and rotate the change lever so that the pointer points to the  symbol. Use a bull point, cold chisel, scaling chisel, etc.

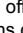
For long time hammering (FOR MODELS HR5201C AND HR5210C ONLY) (Fig. 7)

For chipping, scaling or demolition operations, depress the lock button and rotate the change lever so that the pointer points to the  symbol. Use a bull point, cold chisel, scaling chisel, etc.

CAUTION:

- When using the tool in the  symbol mode, the switch trigger does not work and only the slide switch works.

FOR MODEL HR5211C (Fig. 8)

For chipping, scaling or demolition operations, depress the lock button and rotate the change lever so that the pointer points to the  symbol. Use a bull point, cold chisel, scaling chisel, etc.

CAUTION:

- Do not rotate the change lever when the tool is running under load. The tool will be damaged.
- To avoid rapid wear on the mode change mechanism, be sure that the change lever is always positively located in one of the two or three action mode positions.

Torque limiter

The torque limiter will actuate when a certain torque level is reached. The motor will disengage from the output shaft. When this happens, the bit will stop turning.

CAUTION:

- As soon as the torque limiter actuates, switch off the tool immediately. This will help prevent premature wear of the tool.

Indicator lamp (Fig. 9)

The green power-ON indicator lamp lights up when the tool is plugged. If the indicator lamp does not light up, the mains cord or the controller may be defective. The indicator lamp is lit but the tool does not start even if the tool is switched on, the carbon brushes may be worn out, or the controller, the motor or the ON/OFF switch may be defective.

The red service indicator lamp flickers when the carbon brushes are nearly worn out to indicate that the tool needs servicing. After approx. 8 hours of use, the motor will automatically be shut off.

ASSEMBLY**CAUTION:**

- Always be sure that the tool is switched off and unplugged before carrying out any work on the tool.

Side handle (Fig. 10)**CAUTION:**

- Use the side handle only when chipping, scaling or demolishing. Do not use it when drilling in concrete, masonry, etc. The tool cannot be held properly with this side handle when drilling.

The side handle can be swung 360° on the vertical and secured at any desired position. It also secures at eight different positions back and forth on the horizontal. Just loosen the clamp nut to swing the side handle to a desired position. Then tighten the clamp nut securely. (Fig. 11)

Side grip (Fig. 12)**CAUTION:**

- Always use the side grip to ensure operating safety when drilling in concrete, masonry, etc.

The side grip swings around to either side, allowing easy handling of the tool in any position. Loosen the side grip by turning it counterclockwise, swing it to the desired position and then tighten it by turning clockwise.

Bit grease (optional accessory)

Coat the bit shank head beforehand with a small amount of bit grease (about 0.5 - 1 g). This chuck lubrication assures smooth action and longer service life.

Installing or removing the bit (Fig. 13)

Clean the bit shank and apply bit grease before installing the bit.


Insert the bit into the tool. Turn the bit and push it in until it engages. (Fig. 14)

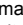
If the bit cannot be pushed in, remove the bit. Pull the chuck cover down a couple of times. Then insert the bit again. Turn the bit and push it in until it engages.

After installing, always make sure that the bit is securely held in place by trying to pull it out.

To remove the bit, pull the chuck cover down all the way and pull the bit out. (Fig. 15)

Bit angle (when chipping, scaling or demolishing) (Fig. 16 & 17)

The bit can be secured at 16 different angles. To change the bit angle, depress the lock button and rotate the change lever so that the pointer points to the  symbol. Turn the bit to the desired angle.

Depress the lock button and rotate the change lever so that the pointer points to the  symbol. Then make sure that the bit is securely held in place by turning it slightly. (Fig. 18 & 19)

Depth gauge (Fig. 20)

The depth gauge is convenient for drilling holes of uniform depth. Loosen the clamp screw and adjust the depth gauge to the desired depth. After adjusting, tighten the clamp screw firmly.

NOTE:

- The depth gauge cannot be used at the position where the depth gauge strikes against the gear housing/motor housing.

OPERATION**Hammer drilling operation (Fig. 21)**

Set the change lever to the  symbol.

Position the bit at the desired location for the hole, then pull the switch trigger. Do not force the tool. Light pressure gives best results. Keep the tool in position and prevent it from slipping away from the hole.

Do not apply more pressure when the hole becomes clogged with chips or particles. Instead, run the tool at an idle, then remove the bit partially from the hole. By repeating this several times, the hole will be cleaned out and normal drilling may be resumed.

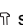
CAUTION:

- When the bit begins to break through concrete or if the bit strikes reinforcing rods embedded in concrete, the tool may react dangerously. Maintain good balance and safe footing while holding the tool firmly with both hands to prevent dangerous reaction.

Blow-out bulb (optional accessory) (Fig. 22)

After drilling the hole, use the blow-out bulb to clean the dust out of the hole.

Chipping/Scaling/Demolition (Fig. 23)

Set the change lever to the  symbol.

Hold the tool firmly with both hands. Turn the tool on and apply slight pressure on the tool so that the tool will not bounce around, uncontrolled. Pressing very hard on the tool will not increase the efficiency.

MAINTENANCE**CAUTION:**

- Always be sure that the tool is switched off and unplugged before attempting to perform inspection or maintenance.

Lubrication

CAUTION:

- This servicing should be performed by Makita Authorized or Factory Service Centers only.

This tool requires no hourly or daily lubrication because it has a grease-packed lubrication system. Lubricate the tool every time the carbon brushes are replaced. (Fig. 24) Run the tool for several minutes to warm it up. Switch off and unplug the tool.

Loosen the six screws and remove the handle. Note that the top screws are different from other screws.

Disconnect the connector by pulling them. (Fig. 25)

Loosen the screws and remove the change lever.

(Fig. 26)

Remove the crank cap cover.

Remove the control plate. (Except for model HR5211C.)

(Fig. 27)

Loosen the six screws with a screwdriver and remove the crank cap. Rest the tool on the table with the bit end pointing upwards. This will allow the old grease to collect inside the crank housing. (Fig. 28)

Wipe out the old grease inside and replace with a fresh grease (60 g). Use only Makita genuine hammer grease (optional accessory). Filling with more than the specified amount of grease (approx. 60 g) can cause faulty hammering action or tool failure. Fill only with the specified amount of grease. (Fig. 29)

Reinstall the crank cap and tighten with the screwdriver. Connect the connector and reinstall the handle. (Fig. 30)

CAUTION:

- Do not tighten the crank cap excessively. It is made of resin and is subject to breakage.
- Be careful not to damage the connector or lead wires especially when wiping out the old grease or installing the handle.

To maintain product SAFETY and RELIABILITY, repairs, any other maintenance or adjustment should be performed by Makita Authorized Service Centers, always using Makita replacement parts.

ACCESSORIES

CAUTION:

- These accessories or attachments are recommended for use with your Makita tool specified in this manual. The use of any other accessories or attachments might present a risk of injury to persons. Only use accessory or attachment for its stated purpose.

If you need any assistance for more details regarding these accessories, ask your local Makita Service Center.

- SDS-Max Carbide-tipped bits
- Bushing tool
- Rammer
- Core bit adapter
- Core bit
- SDS-Max bull point
- SDS-MAX cold chisel
- SDS-MAX scaling chisel
- SDS-MAX tile chisel
- SDS-MAX grooving chisel
- SDS-MAX clay spade
- Hammer grease
- Bit grease

- Side handle
- Side grip
- Depth gauge
- Blow-out bulb
- Safety goggles
- Carrying case

For Model HR5201C

Noise

ENG102-3

The typical A-weighted noise level determined according to EN60745:

Sound pressure level (L_{pA}): 100 dB (A)

Sound power level (L_{WA}): 111 dB (A)

Uncertainty (K): 3 dB (A)

Wear ear protection.

Vibration

ENG216-2

The vibration total value (tri-axial vector sum) determined according to EN60745:

Work mode: chiseling function with side handle

Vibration emission ($a_{h,CHeq}$): 13.5 m/s²

Uncertainty (K): 1.5 m/s²

ENG306-1

Work mode: chiseling function with side grip

Vibration emission ($a_{h,CHeq}$): 14 m/s²

Uncertainty (K): 1.5 m/s²

ENG303-2

Work mode: hammer drilling into concrete

Vibration emission ($a_{h,HD}$): 19.5 m/s²

Uncertainty (K): 3 m/s²

For Model HR5210C

Noise

ENG102-3

The typical A-weighted noise level determined according to EN60745:

Sound pressure level (L_{pA}): 99 dB (A)

Sound power level (L_{WA}): 110 dB (A)

Uncertainty (K): 3 dB (A)

Wear ear protection.

Vibration

ENG216-2

The vibration total value (tri-axial vector sum) determined according to EN60745:

Work mode: chiseling function with side handle

Vibration emission ($a_{h,CHeq}$): 12 m/s²

Uncertainty (K): 2.5 m/s²

ENG306-1

Work mode: chiseling function with side grip

Vibration emission ($a_{h,CHeq}$): 9.5 m/s²

Uncertainty (K): 1.5 m/s²

ENG303-2

Work mode: hammer drilling into concrete

Vibration emission ($a_{h,HD}$): 17 m/s²

Uncertainty (K): 2 m/s²

For Model HR5211C

Noise

ENG102-3

The typical A-weighted noise level determined according to EN60745:

Sound pressure level (L_{pA}): 100 dB (A)

Sound power level (L_{WA}): 111 dB (A)

Uncertainty (K): 3 dB (A)

Wear ear protection.

Vibration

ENG216-2

The vibration total value (tri-axial vector sum) determined according to EN60745:

Work mode: chiseling function with side handle

Vibration emission ($a_{h,CHeq}$): 11 m/s²
Uncertainty (K): 1.5 m/s²

ENG306-1

Work mode: chiseling function with side grip
Vibration emission ($a_{h,CHeq}$): 8 m/s²
Uncertainty (K): 1.5 m/s²

ENG303-2

Work mode: hammer drilling into concrete
Vibration emission ($a_{h,HD}$): 12.5 m/s²
Uncertainty (K): 2 m/s²

ENG901-1

- The declared vibration emission value has been measured in accordance with the standard test method and may be used for comparing one tool with another.
- The declared vibration emission value may also be used in a preliminary assessment of exposure.

⚠ WARNING:

- The vibration emission during actual use of the power tool can differ from the declared emission value depending on the ways in which the tool is used.
- Be sure to identify safety measures to protect the operator that are based on an estimation of exposure in the actual conditions of use (taking account of all parts of the operating cycle such as the times when the tool is switched off and when it is running idle in addition to the trigger time).

For European countries only

ENH101-13

EC Declaration of Conformity

We Makita Corporation as the responsible manufacturer declare that the following Makita machine(s):

Designation of Machine:

Rotary Hammer

Model No./ Type: HR5201C, HR5210C, HR5211C

are of series production and

Conforms to the following European Directives:

98/37/EC until 28th December 2009 and then with
2006/42/EC from 29th December 2009

And are manufactured in accordance with the following standards or standardised documents:

EN60745

The technical documentation is kept by our authorised representative in Europe who is:

Makita International Europe Ltd.,
Michigan, Drive, Tongwell,
Milton Keynes, MK15 8JD, England

30th January 2009



Tomoyasu Kato
Director

Makita Corporation
3-11-8, Sumiyoshi-cho
Anjo, Aichi, JAPAN

FRANÇAIS (Instructions d'origine)

Descriptif

- | | | |
|---|---------------------------------|-----------------------------------|
| 1. Gâchette | 10. Écrou de serrage de collier | 20. Noir |
| 2. Levier de l'interrupteur | 11. Poignée latérale | 21. Blanc |
| 3. Cadran de réglage | 12. Arbre du foret | 22. Connecteur |
| 4. Levier de changement | 13. Graisse à foret | 23. Vis |
| 5. Index | 14. Foret | 24. Cache du bouchon de manivelle |
| 6. Bouton de verrouillage | 15. Couvercle du mandrin | 25. Plaque de contrôle |
| 7. Lampe témoin d'alimentation
ACTIVE (vert) | 16. Jauge de profondeur | 26. Tournevis |
| 8. Lampe témoin de service (rouge) | 17. Vis de serrage | 27. Bouchon de manivelle |
| 9. Manche latéral | 18. Poire soufflante | 28. Graisse à marteau |
| | 19. Vis | |

SPÉCIFICATIONS

Modèle		HR5201C	HR5210C	HR5211C
Capacités	Foret à pointe de carbure	52 mm		
	Trépan carottier	160 mm		
Vitesse à vide (min ⁻¹)		130 - 260		
Frappes par minute		1 075 - 2 150		
Longueur totale		599 mm		
Poids net		11,3 kg	12,1 kg	12,2 kg
Niveau de sécurité		II/II		

- Étant donné l'évolution constante de notre programme de recherche et de développement, les spécifications contenues dans ce manuel sont sujettes à modification sans préavis.
- Les spécifications peuvent varier d'un pays à l'autre.
- Poids conforme à la procédure EPTA 01/2003

Utilisations ENE044-1

L'outil est conçu pour le perçage avec impacts et le perçage dans la brique, le béton et la pierre, ainsi que pour les travaux de défoncement.

Alimentation ENF002-1

L'outil ne doit être raccordé qu'à une alimentation de la même tension que celle qui figure sur la plaque signalétique, et il ne peut fonctionner que sur un courant secteur monophasé. Réalisé avec une double isolation, il est conforme à la réglementation européenne et peut de ce fait être alimenté sans mise à la terre.

Consignes de sécurité générales des outils électriques GEA010-1

⚠ AVERTISSEMENT Veuillez lire toutes les consignes de sécurité et les instructions. Il y a un risque de choc électrique, d'incendie et/ou de blessure grave si les consignes et les instructions ne sont pas toutes respectées.

Conservez toutes les consignes et instructions pour référence ultérieure.

CONSIGNES DE SÉCURITÉ RELATIVES AU MARTEAU ROTATIF GEB007-7

1. **Portez des protections auditives.** L'exposition au bruit peut entraîner la surdité.
2. **Utilisez la/les poignée(s) auxiliaire(s) qui équipent éventuellement l'outil.** La perte de maîtrise comporte un risque de blessures.
3. **Tenez l'outil à l'aide des surfaces de prise isolées lorsque vous exécutez une opération susceptible de mettre en contact l'accessoire de coupe et les fils cachés ou le propre cordon de l'outil.** Il est possible que le contact avec un fil sous tension mette les parties métalliques exposées de l'outil sous tension, risquant ainsi de provoquer un choc électrique chez l'utilisateur.
4. **Portez un casque de sécurité, des lunettes de sécurité ou une visière. Les lunettes ordinaires et les lunettes de soleil ne sont PAS des lunettes de sécurité. Nous vous recommandons également de porter un masque antipoussières et des gants très épais.**
5. **Assurez-vous que le foret est bien serré avant d'utiliser l'outil.**
6. **Même en conditions normales d'utilisation, l'outil produit des vibrations. Les vis peuvent ainsi se relâcher facilement, ce qui risque d'entraîner une rupture de pièce ou un accident. Avant l'utilisation, vérifiez avec soin que les vis sont bien serrées.**

7. À basse température ou lorsque l'outil est resté inutilisé pour une période prolongée, laissez-le réchauffer un instant en le faisant fonctionner à vide. Cela permettra au lubrifiant de réchauffer. La perforation sera difficile si l'outil n'est pas bien réchauffé.
8. Assurez-vous toujours d'une bonne position d'équilibre. Assurez-vous que personne ne se trouve dessous lorsque vous utilisez l'outil en position élevée.
9. Tenez l'outil fermement à deux mains.
10. Gardez les mains éloignées des pièces en mouvement.
11. N'abandonnez pas l'outil alors qu'il tourne. Ne faites fonctionner l'outil qu'une fois que vous l'avez bien en main.
12. Pendant l'utilisation de l'outil, ne le pointez vers personne dans la zone de travail. Vous risqueriez de blesser gravement quelqu'un en cas d'éjection du foret.
13. Ne touchez ni le foret ni les pièces adjacentes immédiatement après l'utilisation de l'outil. Ils risquent d'être extrêmement chauds et de vous brûler gravement la peau.
14. Certains matériaux contiennent des produits chimiques qui peuvent être toxiques. Prenez les précautions nécessaires pour ne pas inhaler les poussières qu'ils dégagent et pour éviter tout contact avec la peau. Observez les consignes de sécurité du fabricant.

CONSERVEZ CES INSTRUCTIONS.

AVERTISSEMENT :

NE vous laissez **PAS** tromper (au fil d'une utilisation répétée) par un sentiment d'aisance et de familiarité avec le produit, en négligeant le respect rigoureux des consignes de sécurité qui accompagnent l'outil. Une **UTILISATION INCORRECTE** de l'outil ou un non-respect des consignes de sécurité indiquées dans ce manuel d'instructions peuvent causer des blessures graves.

DESCRIPTION DU FONCTIONNEMENT

ATTENTION :

- Assurez-vous toujours que l'outil est éteint et débranché avant de l'ajuster ou de vérifier son fonctionnement.

Interrupteur (Fig. 1)

POUR LE MODÈLE HR5211C

ATTENTION :

- Avant de brancher l'outil, vérifiez toujours que la gâchette fonctionne correctement et revient en position d'arrêt (« OFF ») lorsqu'elle est relâchée.
- Pour mettre l'outil en marche, appuyez simplement sur la gâchette. Pour l'arrêter, relâchez la gâchette.

POUR LES MODÈLES HR5210C/HR5201C

Gâchette

ATTENTION :

- Avant de brancher l'outil, vérifiez toujours que la gâchette fonctionne correctement et revient en position d'arrêt (« OFF ») lorsqu'elle est relâchée.
 - Ce commutateur fonctionne quand l'outil est paramétré sur les modes ▼ symbole et ☼ symbole.
- Pour mettre l'outil en marche, appuyez simplement sur la gâchette. Pour l'arrêter, relâchez la gâchette.

Interrupteur à glissière

ATTENTION :

- Avant de brancher l'appareil, vérifiez toujours qu'il est éteint.
- Ce commutateur ne fonctionne que quand l'outil est paramétré sur le mode Ⓢ symbole.

Lorsque vous utilisez l'outil en mode martèlement pendant longtemps, l'interrupteur à glissière est disponible. Pour démarrer l'outil, poussez le côté « I (ON - ALLUMÉ) » du levier de l'interrupteur. Pour arrêter l'outil, poussez le côté « O (OFF - ÉTEINT) » du levier de l'interrupteur. (Fig. 2)

Changement de vitesse (Fig. 3)

Il est possible d'ajuster les révolutions et les frappes par minute en tournant simplement le cadran de réglage. Le cadran comporte les marquages 1 (vitesse la plus lente) à 5 (vitesse pleine).

Référez-vous au tableau ci-dessous pour connaître la relation entre les paramètres des numéros sur le cadran de réglage et les révolutions/frappes par minute.

Numéro sur le cadran de réglage	Révolutions par minute	Frappes par minute
5	260	2 150
4	240	2 000
3	190	1 600
2	150	1 250
1	130	1 075

ATTENTION :

- Si l'outil est continuellement opéré à des vitesses lentes pendant longtemps, le moteur sera surchargé, ce qui entraînera un dysfonctionnement de l'outil.
- Le cadran de réglage de la vitesse ne peut être tourné que jusqu'aux positions 5 et 1. Ne le forcez pas au-delà des positions 5 ou 1, sinon la fonction du réglage de la vitesse risque de ne plus fonctionner.

Sélection du mode de fonctionnement

Rotation avec martèlement (Fig. 4 et 5)


Pour percer dans le béton, la maçonnerie, etc., enfoncez le bouton de verrouillage et tournez le levier de changement de mode jusqu'au symbole ☼. Utilisez un foret à pointe de carbure de tungstène.

Impacts seulement


POUR LES MODÈLES HR5201C ET HR5210C (Fig. 6)

Pour des opérations de burinage, d'écaillage ou de démolition, enfoncez le bouton de verrouillage et tournez le levier de changement de mode jusqu'au symbole ▼. Utilisez un pic, un ciseau à froid, un ciseau à écailler, etc.


Pour un martèlement prolongé (POUR LES MODÈLES HR5201C ET HR5210C SEULEMENT) (Fig. 7)

Pour des opérations de burinage, d'écaillage ou de démolition, enfoncez le bouton de verrouillage et tournez le levier de changement de mode jusqu'au symbole  . Utilisez un pic, un ciseau à froid, un ciseau à écailler, etc.

ATTENTION :

- Quand vous utilisez l'outil en mode de symbole  , la gâchette ne marche pas et seule l'interrupteur à glissière fonctionne.

POUR LE MODÈLE HR5211C (Fig. 8)

Pour des opérations de burinage, d'écaillage ou de démolition, enfoncez le bouton de verrouillage et tournez le levier de changement de mode jusqu'au symbole  . Utilisez un pic, un ciseau à froid, un ciseau à écailler, etc.

ATTENTION :

- Ne tournez pas le levier de changement de mode quand l'outil fonctionne sous charge. Cela endommagera l'outil.
- Pour éviter l'usure rapide du mécanisme de changement de mode, assurez-vous que le levier de changement de mode est toujours placé avec exactitude sur les deux ou trois positions de mode.

Limiteur de couple

Le limiteur de couple s'active lorsqu'un niveau de couple donné est atteint. Le moteur débrayera alors de l'arbre de sortie. Lorsque cela se produit, le foret cesse de tourner.

ATTENTION :

- Éteignez l'outil immédiatement lorsque le limiteur de couple s'active. Cela aidera à prévenir l'usure trop rapide de l'outil.

Voyant (Fig. 9)

Le voyant vert de mise sous tension s'allume lorsque l'outil est branché. Si le voyant ne s'allume pas, il se peut que le cordon d'alimentation ou le contrôleur soit défectueux. Si le voyant est allumé, mais que l'outil ne démarre pas même si vous activez la gâchette, il se peut que les charbons soient usés ou que le contrôleur, le moteur ou l'interrupteur MARCHE/ARRÊT soit défectueux.

Le voyant rouge de service clignote quand les charbons sont presque totalement usés pour indiquer que l'outil a besoin d'une opération d'entretien. Au bout d'environ 8 heures d'utilisation, le moteur s'éteindra automatiquement.

ASSEMBLAGE

ATTENTION :

- Avant d'effectuer toute intervention sur l'outil, assurez-vous toujours qu'il est éteint et débranché.

Manche latéral (Fig. 10)

ATTENTION :

- N'utilisez le manche latéral que lors d'une opération de burinage, d'écaillage ou de démolition. Ne l'utilisez pas pour percer dans le béton, maçonner, etc. Il est impossible de tenir l'outil correctement par ce manche latéral lors d'une opération de perçage.

Il est possible de faire pivoter le manche latéral de 360° à la verticale et de le sécuriser dans la position souhaitée. Il

se verrouille également sur huit positions différentes en avant et en retrait sur l'horizontale. Il vous suffit de desserrer l'écrou de serrage de collier pour faire pivoter le manche latéral à la position souhaitée. Serrez ensuite fermement l'écrou de serrage de collier. (Fig. 11)

Poignée latérale (Fig. 12)

ATTENTION :

- Utilisez toujours la poignée latérale pour assurer une opération sécurisée lorsque vous percez du béton, maçonnez, etc.

La poignée latérale peut pivoter dans un sens comme dans l'autre, permettant ainsi de manipuler l'outil avec aisance dans n'importe quelle position. Desserrez la poignée latérale en la faisant tourner dans le sens inverse des aiguilles d'une montre, faites-la pivoter jusqu'à la position désirée puis resserrez-la en tournant dans le sens des aiguilles d'une montre.

Graisse à foret (accessoire en option)

Enduisez à l'avance la tête de l'arbre du foret d'une petite quantité de graisse à foret (environ 0,5 à 1 g). Cette lubrification du mandrin assure un fonctionnement fluide et une durée de vie plus longue.

Installation et retrait du foret (Fig. 13)

Nettoyez l'arbre du foret et appliquez de la graisse à foret avant d'installer le foret.


Insérez le foret dans l'outil. Tournez le foret et enfoncez-le jusqu'à ce qu'il s'engage. (Fig. 14)

S'il n'est pas possible d'enfoncer le foret, retirez-le. Tirez le couvercle du mandrin vers le bas à quelques reprises. Réinsérez ensuite le foret. Tournez le foret et enfoncez-le jusqu'à ce qu'il s'engage.


Après l'installation, tirez toujours sur le foret pour vous assurer qu'il demeure fermement en place.

Pour retirer le foret, tirez le couvercle du mandrin complètement vers le bas puis tirez sur le foret. (Fig. 15)

Angle du foret (lors du burinage, de l'écaillage ou de la démolition) (Fig. 16 et 17)

Vous pouvez fixer le foret sur 16 angles différents. Pour changer l'angle du foret, enfoncez le bouton de verrouillage et tournez le levier de changement de mode jusqu'au symbole  .

Tournez le foret jusqu'à l'angle désiré.

Enfoncez le bouton de verrouillage et tournez le levier de changement de mode jusqu'au symbole  . Assurez-vous ensuite que le foret est solidement maintenu en place en le tournant légèrement. (Fig. 18 et 19)

Jauge de profondeur (Fig. 20)


La tige de profondeur est pratique pour percer des trous de même profondeur. Desserrez la vis de serrage et ajustez la tige de profondeur à la profondeur souhaitée. Après le réglage, serrez fermement la vis de serrage.

REMARQUE :

- Il n'est pas possible d'utiliser la jauge de profondeur sur la position où elle frappe contre le carter d'engrenages/logement du moteur.

UTILISATION

Perçage avec impacts (Fig. 21)

Régalez le levier de changement de mode sur le symbole .

Placez le foret au point où vous désirez percer le trou, puis appuyez sur la gâchette. Ne forcez pas l'outil. Vous obtiendrez de meilleurs résultats avec une légère pression. Gardez l'outil dans cette position et évitez qu'il ne glisse à l'extérieur du trou.

N'appliquez pas plus de pression lorsque le trou se bouche de copeaux ou particules. Faites plutôt tourner l'outil au ralenti, puis retirez partiellement le foret du trou. Vous pourrez poursuivre le perçage de façon normale après avoir répété quelques fois cette opération.

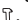
ATTENTION :

- Quand le foret commence à percer le béton ou s'il frappe des fers à béton incorporés dans le béton, l'outil peut réagir dangereusement. Maintenez un bon équilibre et un appui sûr lorsque vous tenez fermement l'outil à deux mains pour éviter une réaction dangereuse.

Poire soufflante (accessoire en option) (Fig. 22)

Une fois le trou percé, utilisez la poire soufflante pour retirer la poussière du trou.

Burinage/Écaillage/Démolition (Fig. 23)

Régalez le levier de changement de mode sur le symbole .

Tenez l'outil fermement à deux mains. Mettez le contact et appliquez une légère pression sur l'outil de façon à en garder la maîtrise et éviter qu'il ne saute d'un côté et de l'autre. L'application d'une très grande pression sur l'outil n'augmentera pas l'efficacité de l'opération.

MAINTENANCE

ATTENTION :

- Assurez-vous toujours que l'outil est éteint et débranché avant d'effectuer tout travail d'inspection ou de maintenance.

Lubrification

ATTENTION :

- Seuls des centres de service agréés par Makita ou usine sont habilités à effectuer les réparations.

Grâce à son système de lubrification à la graisse, il n'est pas nécessaire de graisser cet outil après quelques heures d'utilisation ou chaque jour. Lubrifiez l'outil à chaque fois que les charbons sont remplacés. (Fig. 24) Faites tourner l'outil pendant quelques minutes pour le réchauffer. Éteignez et débranchez l'outil.

Desserrez les six vis et retirez le manche. Notez que les vis supérieures sont différentes des autres vis.

Débranchez le connecteur en les tirant. (Fig. 25)

Desserrez les vis et retirez le levier de changement de mode. (Fig. 26)

Retirez le cache du bouchon de la manivelle.

Retirez la plaque de contrôle. (sauf pour le modèle HR5211C.) (Fig. 27)

Desserrez les six vis à l'aide d'un tournevis et retirez le bouchon de la manivelle. Posez l'outil sur la table avec le

bout du foret pointé vers le haut. Ceci permettra à la graisse usée de se déposer à l'intérieur du carter de manivelle. (Fig. 28)

Essayez la graisse usée à l'intérieur, puis remplacez-la par de la graisse fraîche (60 g). Utilisez uniquement la graisse à marteau Makita authentique (accessoire en option). Si vous versez davantage de graisse que la quantité spécifiée (environ 60 g), le mouvement de martelage risque d'être faussé ou l'outil risque de ne pas bien fonctionner. Ne versez que la quantité de graisse spécifiée. (Fig. 29)

Réinstallez le bouchon de la manivelle et serrez avec le tournevis. Connectez le connecteur et réinstallez le manche. (Fig. 30)

ATTENTION :

- Ne serrez pas excessivement le bouchon de manivelle. Il est en résine et risque de casser facilement.
 - Faites attention de ne pas endommager le connecteur ou les fils de sortie, surtout lorsque vous essuyez la graisse usée ou lorsque vous installez le manche.
- Pour assurer la SÉCURITÉ et la FIABILITÉ du produit, toute réparation et tout travail d'entretien ou de réglage doivent être effectués par un Centre de service après-vente agréé Makita, avec des pièces de rechange Makita.

ACCESSOIRES

ATTENTION :

- Ces accessoires ou pièces complémentaires sont recommandés pour l'utilisation avec l'outil Makita spécifié dans ce manuel. L'utilisation de tout autre accessoire ou pièce complémentaire comporte un risque de blessures. Utilisez uniquement l'accessoire ou la pièce complémentaire dans le but spécifié.

Pour obtenir plus de détails sur ces accessoires, contactez un Centre de service après-vente local Makita.

- Forets à pointe de carbure SDS-Max
- Douille
- Dameuse
- Adaptateur de trépan carottier
- Trépan carottier
- Pic SDS-Max
- Ciseau à froid SDS-MAX
- Ciseau à écailler SDS-MAX
- Ciseau de carreleur SDS-MAX
- Gouge SDS-MAX
- Marteau-bêche SDS-MAX
- Graisse à marteau
- Graisse à foret
- Manche latéral
- Poignée latérale
- Jauge de profondeur
- Poire soufflante
- Lunettes de sécurité
- Mallette de transport

Pour le modèle HR5201C

Bruit

ENG102-3

Les niveaux de bruit pondéré A typiques ont été mesurés selon la norme EN60745 :

Niveau de pression sonore (L_{pA}) : 100 dB (A)

Niveau de puissance sonore (L_{WA}) : 111 dB (A)

Incertitude (K) : 3 dB (A)

Portez des protections auditives.

Vibrations

ENG216-2

ENG303-2

La valeur totale de vibration (somme du vecteur triaxial) a été déterminée selon la norme EN60745 :

Mode de fonctionnement : fonction de ciselure avec la poignée latérale

Émission de vibrations ($a_{h,CHeq}$) : 13,5 m/s²
Incertitude (K) : 1,5 m/s²

ENG306-1

Mode de fonctionnement : fonction de ciselure avec la poignée latérale

Émission de vibrations ($a_{h,CHeq}$) : 14 m/s²
Incertitude (K) : 1,5 m/s²

ENG303-2

Mode de fonctionnement : perçage à percussion dans le béton

Émission de vibrations ($a_{h,HD}$) : 19,5 m/s²
Incertitude (K) : 3 m/s²

Pour le modèle HR5210C

Bruit

ENG102-3

Les niveaux de bruit pondéré A typiques ont été mesurés selon la norme EN60745 :

Niveau de pression sonore (L_{pA}) : 99 dB (A)

Niveau de puissance sonore (L_{WA}) : 110 dB (A)

Incertitude (K) : 3 dB (A)

Portez des protections auditives.

Vibrations

ENG216-2

La valeur totale de vibration (somme du vecteur triaxial) a été déterminée selon la norme EN60745 :

Mode de fonctionnement : fonction de ciselure avec la poignée latérale

Émission de vibrations ($a_{h,CHeq}$) : 12 m/s²
Incertitude (K) : 2,5 m/s²

ENG306-1

Mode de fonctionnement : fonction de ciselure avec la poignée latérale

Émission de vibrations ($a_{h,CHeq}$) : 9,5 m/s²
Incertitude (K) : 1,5 m/s²

ENG303-2

Mode de fonctionnement : perçage à percussion dans le béton

Émission de vibrations ($a_{h,HD}$) : 17 m/s²
Incertitude (K) : 2 m/s²

Pour le modèle HR5211C

Bruit

ENG102-3

Les niveaux de bruit pondéré A typiques ont été mesurés selon la norme EN60745 :

Niveau de pression sonore (L_{pA}) : 100 dB (A)

Niveau de puissance sonore (L_{WA}) : 111 dB (A)

Incertitude (K) : 3 dB (A)

Portez des protections auditives.

Vibrations

ENG216-2

La valeur totale de vibration (somme du vecteur triaxial) a été déterminée selon la norme EN60745 :

Mode de fonctionnement : fonction de ciselure avec la poignée latérale

Émission de vibrations ($a_{h,CHeq}$) : 11 m/s²
Incertitude (K) : 1,5 m/s²

ENG306-1

Mode de fonctionnement : fonction de ciselure avec la poignée latérale

Émission de vibrations ($a_{h,CHeq}$) : 8 m/s²
Incertitude (K) : 1,5 m/s²

Mode de fonctionnement : perçage à percussion dans le béton

Émission de vibrations ($a_{h,HD}$) : 12,5 m/s²
Incertitude (K) : 2 m/s²

ENG901-1

- La valeur de l'émission des vibrations déclarée a été mesurée conformément à la méthode de test standard et peut être utilisée afin de comparer des outils entre eux.
- La valeur de l'émission des vibrations déclarée peut également être utilisée lors d'une évaluation préliminaire de l'exposition.

⚠ AVERTISSEMENT :

- Selon la manière dont l'outil est utilisé, il est possible que l'émission des vibrations pendant l'utilisation réelle de l'outil électrique diffère de la valeur de l'émission déclarée.
- Veillez à identifier les mesures de sécurité destinées à protéger l'opérateur et établies en fonction de l'estimation de l'exposition dans les conditions réelles d'utilisation (en prenant en compte toutes les étapes du cycle de fonctionnement, telles que les périodes de mise hors tension de l'outil, les périodes de fonctionnement au ralenti et les périodes de mise en route).

Pour les pays d'Europe uniquement

ENH101-13

Déclaration de conformité CE

Nous, Makita Corporation, en tant que fabricant responsable, déclarons que les machines Makita suivantes :

Nom de la machine :

Marteau rotatif

N° de modèle/Type : HR5201C, HR5210C, HR5211C
sont fabriquées en série et

sont conformes aux directives européennes suivantes :

98/37/CE jusqu'au 28 décembre 2009 puis, à partir du 29 décembre 2009, à la directive 2006/42/CE

et sont produites conformément aux normes ou documents de normalisation suivants :

EN60745

La documentation technique est disponible auprès de notre représentant en Europe qui est :

Makita International Europe Ltd.,
Michigan, Drive, Tongwell,
Milton Keynes, MK15 8JD, Angleterre

Le 30 janvier 2009



Tomoyasu Kato

Directeur

Makita Corporation
3-11-8, Sumiyoshi-cho
Anjo, Aichi, JAPAN

DEUTSCH (Originalanweisungen)

Erklärung der Gesamtdarstellung

- | | | |
|-------------------------------------|--------------------------|-------------------------------|
| 1. Ein/Aus-Schalter | 11. Seitenzusatzgriff | 21. Weiß |
| 2. Hebelschalter | 12. Aufnahmeschaft | 22. Verbindungsstück |
| 3. Einstellrad | 13. Bohrer-/Meißelfett | 23. Schraube |
| 4. Umschalthebel | 14. Einsatz | 24. Abdeckung der Kurbelkappe |
| 5. Zeiger | 15. Werkzeugverriegelung | 25. Steuerplatte |
| 6. Arretiertaste | 16. Tiefenanschlag | 26. Schraubendreher |
| 7. Anzeigenleuchte für Strom (grün) | 17. Klemmschraube | 27. Kurbelkappe |
| 8. Service-Anzeigenleuchte (rot) | 18. Ausblasvorrichtung | 28. Hammerfett |
| 9. Seitengriff | 19. Schrauben | |
| 10. Befestigungsmutter | 20. Schwarz | |

TECHNISCHE ANGABEN

Modell		HR5201C	HR5210C	HR5211C
Kapazität	Einsatz mit Hartmetallspitze	52 mm		
	Bohrkrone	160 mm		
Leerlaufgeschwindigkeit (min ⁻¹)		130 - 260		
Schläge pro Minute		1.075 - 2.150		
Gesamtlänge		599 mm		
Nettogewicht		11,3 kg	12,1 kg	12,2 kg
Sicherheitsklasse		II		

- Aufgrund unserer fortschreitenden Forschungen und Entwicklungen sind Änderungen an den hier wiedergegebenen Angaben ohne Vorankündigung vorbehalten.
- Die Angaben können sich je nach Land unterscheiden.
- Gewicht entsprechend der EPTA-Vorgehensweise 01/2003

Verwendungszweck ENE044-1

Das Werkzeug ist für Schlagbohren in Ziegel, Beton und Stein sowie für Meißelarbeiten vorgesehen.

Stromversorgung ENF002-1

Das Werkzeug darf nur an Stromquellen mit der auf dem Typenschild angegebenen Spannung und einphasigem Wechselstrom angeschlossen werden. Aufgrund der Doppelisolierung nach europäischem Standard kann das Werkzeug auch an Steckdosen ohne Erdungsleiter betrieben werden.

Allgemeine Sicherheitshinweise für Elektrowerkzeuge GEA010-1

⚠️ WARNUNG Lesen Sie alle Sicherheitshinweise und Anweisungen sorgfältig durch. Wenn die Hinweise und Anweisungen nicht beachtet werden, besteht die Gefahr eines Stromschlags, Brands und/oder das Risiko von ernsthaften Verletzungen.

Bewahren Sie alle Hinweise und Anweisungen zur späteren Referenz gut auf.

SICHERHEITSREGELN FÜR BOHRHAMMER GEB007-7

1. **Tragen Sie Gehörschutz!** Beständige Einwirkung von Lärm kann zu Hörverlust führen.

2. **Verwenden Sie die ggf. mit dem Werkzeug gelieferten Zusatzgriffe.** Ein Verlust der Kontrolle über das Werkzeug kann zu Verletzungen führen.
3. **Halten Sie das Elektrowerkzeug an den isolierten Griffflächen, wenn Sie unter Bedingungen arbeiten, bei denen das Schneidwerkzeug verborgene Kabel oder das eigene Kabel berühren kann.** Bei Kontakt des Werkzeugs mit einem stromführenden Kabel wird der Strom an die Metallteile des Elektrowerkzeugs und dadurch an den Bediener weitergeleitet, und der Bediener erleidet einen Stromschlag.
4. **Tragen Sie einen Sicherheitshelm, Sicherheitsgläser und/oder einen Gesichtsschutz. Bei gewöhnlichen Brillen und Sonnenbrillen handelt es sich NICHT um Sicherheitsgläser. Auch das Tragen dick gefütterter Handschuhe und einer Staubmaske wird empfohlen.**
5. **Überprüfen Sie vor der Inbetriebnahme, ob der Einsatz gesichert ist.**
6. **Unter normalen Betriebsbedingungen produziert das Werkzeug Vibrationen. Hierdurch können sich Schrauben lösen, was zu Aus- und Unfällen führen kann. Überprüfen Sie vor der Arbeit sorgsam den Sitz der Schrauben.**
7. **Bei kaltem Wetter oder wenn das Werkzeug längere Zeit nicht benutzt wurde, lassen Sie das Gerät eine Zeit lang ohne Last warm laufen. Hierdurch wird die Schmierung gelockert. Ohne ordentliches Aufwärmen ist der Schlagbohrbetrieb schwierig.**

8. **Achten Sie jederzeit auf einen festen Stand. Achten Sie darauf, dass sich niemand unter ihnen befindet, wenn Sie das Werkzeug an erhöhten Orten verwenden.**
9. **Halten Sie das Werkzeug mit beiden Händen fest.**
10. **Halten Sie Ihre Hände von den beweglichen Teilen fern.**
11. **Lassen Sie das Werkzeug nicht laufen. Das Werkzeug darf nur dann in Betrieb sein, wenn es festgehalten wird.**
12. **Zeigen Sie mit dem Werkzeug während des Betriebs nicht auf Personen in Ihrer Umgebung. Der Einsatz könnte sich lösen und zu schweren Verletzungen führen.**
13. **Berühren Sie kurz nach dem Betrieb nicht den Einsatz oder ihm nahe liegende Teile. Diese können extrem heiß sein und zu Verbrennungen führen.**
14. **Einige Materialien enthalten Chemikalien, die giftig sein können. Vermeiden Sie das Einatmen von Staub und den Kontakt mit der Haut. Befolgen Sie die Sicherheitshinweise des Materialherstellers.**

BEWAHREN SIE DIESE ANWEISUNGEN SORGFÄLTIG AUF.

WARNUNG:

Lassen Sie sich NIE durch Bequemlichkeit oder (aus fortwährendem Gebrauch gewonnener) Vertrautheit mit dem Werkzeug dazu verleiten, die Sicherheitsregeln für das Werkzeug zu missachten. Bei **MISSBRÄUHLICHER** Verwendung des Werkzeugs oder Missachtung der in diesem Handbuch enthaltenen Sicherheitshinweise kann es zu schweren Verletzungen kommen.

FUNKTIONSBESCHREIBUNG

ACHTUNG:

- Schalten Sie das Werkzeug stets aus und ziehen Sie den Stecker, bevor Sie Einstellungen oder eine Funktionsprüfung des Werkzeugs vornehmen.

Bedienung des Schalters (Abb. 1)

BEIM MODELL HR5211C

ACHTUNG:



- Achten Sie vor dem Einstecken des Werkzeug-Netzsteckers darauf, dass sich der Ein/Aus-Schalter korrekt bedienen lässt und beim Loslassen in die Position „OFF“ (AUS) zurückkehrt.
- Betätigen Sie zum Starten des Werkzeugs einfach den Ein/Aus-Schalter. Lassen Sie zum Ausschalten des Werkzeugs den Ein/Aus-Schalter los.

BEI DEN MODELLEN HR5210C/HR5201C

Auslöseschaltung


ACHTUNG:

- Achten Sie vor dem Einstecken des Werkzeug-Netzsteckers darauf, dass sich der Ein/Aus-Schalter korrekt bedienen lässt und beim Loslassen in die Position „OFF“ (AUS) zurückkehrt.

- Dieser Schalter kann genutzt werden, wenn das Werkzeug auf die durch die entsprechenden Symbole gekennzeichneten Modi  und  gestellt ist. Betätigen Sie zum Starten des Werkzeugs einfach den Ein/Aus-Schalter. Lassen Sie zum Ausschalten des Werkzeugs den Ein/Aus-Schalter los.

Schiebeschalter

ACHTUNG:

- Achten Sie vor dem Einstecken des Werkzeugs stets darauf, dass dieses ausgeschaltet ist.
 - Dieser Schalter kann nur genutzt werden, wenn das Werkzeug auf den durch das entsprechende Symbol gekennzeichneten Aktionsmodus  gestellt ist.
- Wenn das Werkzeug über einen längeren Zeitraum im Schlagmodus verwendet wird, kann der Schiebeschalter verwendet werden. Drücken Sie zum Starten des Werkzeugs die Seite „I (ON)“ des Hebelschalters. Drücken Sie zum Stoppen des Werkzeugs die Seite „O (OFF)“ des Hebelschalters. (Abb. 2)

Änderung der Geschwindigkeit (Abb. 3)

Die Umdrehungen und Schläge pro Minute können einfach durch Drehen am Einstellrad geändert werden. Das Rad hat Markierungen von 1 (niedrigste Geschwindigkeit) bis 5 (Höchstgeschwindigkeit). In der folgenden Tabelle ist die Beziehung zwischen der Zahleneinstellung am Einstellrad und den Umdrehungen/Schlägen pro Minute angegeben.


Zahl am Einstellrad	Umdrehungen pro Minute	Schläge pro Minute
5	260	2.150
4	240	2.000
3	190	1.600
2	150	1.250
1	130	1.075

ACHTUNG:

- Wenn das Werkzeug längere Zeit dauerhaft bei niedriger Drehzahl betrieben wird, wird der Motor überlastet, und es treten Fehlfunktionen beim Werkzeug auf.
- Das Drehzahl-Einstellrad lässt sich nur bis 5 und zurück auf 1 drehen. Wird es gewaltsam über 5 oder 1 hinaus gedreht, lässt sich die Drehzahl möglicherweise nicht mehr einstellen.


Auswahl des Aktionsmodus

Schlagbohren (Abb. 4 und 5)


Drücken Sie für Bohrarbeiten in Beton, Mauerwerk usw. die Arretiertaste nach unten, und drehen Sie den Zeiger des Umschalthebels auf das Symbol . Verwenden Sie einen Einsatz mit einer Hartmetallspitze.

Nur Schlag


BEI DEN MODELLEN HR5201C UND HR5210C (Abb. 6)

Drücken Sie zum Splittern, Abblättern oder für Abbrucharbeiten die Arretiertaste nach unten, und drehen Sie den Zeiger des Umschalthebels auf das Symbol . Verwenden Sie einen Punkthammer, Kaltmeißel, Verzunderungsmeißel usw.

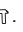
Bei einem längerfristigen Schlagbetrieb (NUR MODELL HR5201C UND HR5210C) (Abb. 7)

Drücken Sie zum Splittern, Abblättern oder für Abbrucharbeiten die Arretiertaste nach unten, und drehen Sie den Zeiger des Umschalthebels auf das Symbol . Verwenden Sie einen Punkthammer, Kaltmeißel, Verzunderungsmeißel usw.

ACHTUNG:

- Wird das Werkzeug im Modus  eingesetzt, funktioniert der Ein/Aus-Schalter nicht, sondern nur der Schiebeshalter.

BEIM MODELL HR5211C (Abb. 8)

Drücken Sie zum Splittern, Abblättern oder für Abbrucharbeiten die Arretiertaste nach unten, und drehen Sie den Zeiger des Umschalthebels auf das Symbol . Verwenden Sie einen Punkthammer, Kaltmeißel, Verzunderungsmeißel usw.

ACHTUNG:

- Der Umschalthebel darf nicht gedreht werden, solange das Werkzeug unter Last betrieben wird. Andernfalls wird das Werkzeug beschädigt.
- Zur Vermeidung eines vorzeitigen Verschleißes des Mechanismus zum Wechsel des Modus müssen Sie darauf achten, dass der Umschalthebel immer richtig an einer der zwei bzw. drei Positionen des Aktionsmodus sitzt.

Drehmomentbegrenzung

Die Drehmomentbegrenzung schaltet sich ein, wenn eine bestimmte Drehmomentstufe erreicht ist. Der Motor wird von der Antriebswelle ausgekuppelt. In diesem Fall kommt der Einsatz zum Stillstand.

ACHTUNG:

- Wenn sich die Drehmomentbegrenzung einschaltet, muss das Werkzeug sofort ausgeschaltet werden. Auf diese Weise wird ein vorzeitiger Verschleiß des Werkzeugs vermieden.

Anzeigenleuchte (Abb. 9)

Die grüne Anzeigenleuchte „Power-ON“ für den Strom leuchtet auf, sobald das Werkzeug eingesteckt wird. Wenn die Anzeigenleuchte nicht aufleuchtet, können das Stromkabel oder die Steuerungseinheit defekt sein. Wenn die Anzeigenleuchte leuchtet und das Werkzeug nicht startet, obwohl es eingeschaltet wird, können die Kohlebürsten verbraucht sein, oder die Steuerungseinheit, der Motor oder ON/OFF-Schalter ist defekt.

Die rote Service-Anzeigenleuchte flackert, wenn die Kohlebürsten fast verbraucht sind. Somit wissen Sie, dass das Werkzeug gewartet werden muss. Nach etwa 8 Stunden Betriebsdauer schaltet sich der Motor automatisch aus.

MONTAGE

ACHTUNG:

- Schalten Sie das Werkzeug stets aus und ziehen Sie den Stecker, bevor Sie irgendwelche Arbeiten am Werkzeug durchführen.

Seitengriff (Abb. 10)

ACHTUNG:

- Verwenden Sie den Seitengriff nur beim Splittern, Abblättern oder für Abbrucharbeiten. Verwenden Sie ihn nicht für Bohrarbeiten in Beton, Mauerwerk usw. Beim Bohren kann das Werkzeug nicht richtig an diesem Seitengriff gehalten werden.

Der Seitengriff kann vertikal um 360° gedreht und an jeder gewünschten Position festgestellt werden. Außerdem kann er horizontal an acht verschiedenen Positionen vor- und zurückgestellt werden. Sie müssen lediglich die Befestigungsmutter lockern, um den Seitengriff an die gewünschte Position drehen zu können. Ziehen Sie anschließend die Befestigungsmutter fest an. (Abb. 11)

Seitenzusatzgriff (Abb. 12)

ACHTUNG:

- Verwenden Sie bei Bohrarbeiten in Beton, Mauerwerk usw. stets den Seitenzusatzgriff, damit die Betriebssicherheit gewährleistet ist.

Da der Seitenzusatzgriff auf jede Seite schwingt, kann das Werkzeug in jeder Position bequem bedient werden. Lockern Sie den Seitenzusatzgriff durch Drehen gegen den Uhrzeigersinn, stellen Sie ihn in die gewünschte Position, und befestigen Sie ihn dann wieder durch Drehen im Uhrzeigersinn.

Bohrer-/Meißelfett (separat erhältliches Zubehör)

Schmieren Sie den Aufnahmeschaftkopf im Vorfeld mit etwas Bohrerfett (ca. 0,5 - 1 g). Diese Schmierung des Bohrfutters garantiert einen reibungslosen Betrieb und eine längere Lebensdauer.

Montage und Demontage des Einsatzes (Abb. 13)


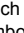
Reinigen Sie den Aufnahmeschaft, und schmieren Sie ihn vor der Montage des Einsatzes mit ein wenig Fett. Montieren Sie den Einsatz am Werkzeug. Drehen Sie den Einsatz und drücken Sie ihn hinein, bis er einrastet.

(Abb. 14)

Wenn der Einsatz nicht hineingedrückt werden kann, entfernen Sie ihn. Ziehen Sie die Werkzeugverriegelung einige Male nach unten. Montieren Sie dann den Einsatz erneut. Drehen Sie den Einsatz und drücken Sie ihn hinein, bis er einrastet.

Überprüfen Sie nach der Montage stets, ob der Einsatz einwandfrei sitzt, indem Sie versuchen, ihn herausziehen. Ziehen Sie die Werkzeugverriegelung zum Entfernen des Einsatzes ganz nach unten, und ziehen Sie den Einsatz heraus. (Abb. 15)

Winkel des Einsatzes (beim Splittern, Abblättern oder Abbruch) (Abb. 16 und 17)

Der Einsatz kann in 16 verschiedenen Winkeln festgestellt werden. Drücken Sie zur Änderung des Einsatzwinkels die Arretiertaste nach unten, und drehen Sie den Umschalthebel auf das Symbol . Drehen Sie den Einsatz bis zum gewünschten Winkel. Drücken Sie die Arretiertaste nach unten, und drehen Sie den Umschalthebel auf das Symbol . Überprüfen Sie

anschließend durch leichtes Drehen am Einsatz, ob er fest sitzt. (Abb. 18 und 19)

Tiefenanschlag (Abb. 20)

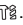
Der Tiefenanschlag ist beim Bohren von Löchern mit einer einheitlichen Bohrtiefe hilfreich. Lockern Sie die Klemmschraube, und stellen Sie den Tiefenanschlag auf die gewünschte Tiefe ein. Ziehen Sie die Klemmschraube nach der Einstellung fest an.

HINWEIS:

- Der Tiefenanschlag kann nicht an der Stelle verwendet werden, an der er gegen das Getriebe-/Motorgehäuse schlägt.

BETRIEB

Schlagbohrbetrieb (Abb. 21)

Stellen Sie den Umschalthebel auf das Symbol . Setzen Sie den Einsatz auf die gewünschte Position für die Bohrung, und betätigen Sie dann den Ein/Aus-Schalter. Üben Sie keinen übermäßigen Druck auf das Werkzeug aus. Wenn Sie nur leichten Druck ausüben, erzielen Sie die besten Ergebnisse. Halten Sie das Werkzeug in Position, und achten Sie darauf, dass es nicht von der Bohrung abrutscht. Verstärken Sie den Druck nicht, wenn die Bohrung durch Holzspäne oder -partikel verstopft ist. Führen Sie stattdessen das Werkzeug im Leerlauf aus, und entfernen Sie dann den Einsatz teilweise aus der Bohrung. Wenn Sie diesen Vorgang mehrmals wiederholen, wird die Bohrung gesäubert, und Sie können den normalen Bohrvorgang fortsetzen.

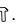
ACHTUNG:

- Beim Durchschlag des Einsatzes in Beton oder wenn der Einsatz auf Verstärkungsstangen im Beton trifft, kann das Werkzeug gefährlich reagieren. Achten Sie auf eine gute Balance und einen sicheren Stand, während Sie das Werkzeug fest mit beiden Händen halten. Auf diese Weise können Sie gefährliche Reaktionen abfangen.

Ausblasvorrichtung (optionales Zubehör) (Abb. 22)

Wenn Sie das Loch gebohrt haben, entfernen Sie mit Hilfe der Ausblasvorrichtung den Staub aus der Bohrung.

Splintern/Abblättern/Abbruch (Abb. 23)

Stellen Sie den Umschalthebel auf das Symbol . Halten Sie das Werkzeug mit beiden Händen fest. Schalten Sie das Werkzeug ein und üben Sie leichten Druck darauf aus, so dass es nicht unkontrolliert herumspringt. Ein stärkerer Druck auf das Werkzeug erhöht nicht dessen Wirkungsgrad.

WARTUNG

ACHTUNG:

- Schalten Sie das Werkzeug stets aus und ziehen Sie den Stecker, bevor Sie Prüfungen oder Wartungsarbeiten am Werkzeug durchführen.

Schmierung

ACHTUNG:

- Diese Wartungsarbeit sollte nur von autorisierten Makita-Servicecentern oder vom Werkscenter durchgeführt werden.

Dieses Werkzeug braucht nicht stündlich oder täglich gefettet zu werden, da es über ein fettgeschmiertes Schmiermittelsystem verfügt. Schmieren Sie das Werkzeug bei jedem Wechsel der Kohlebürsten.

(Abb. 24)

Nehmen Sie das Werkzeug für einige Minuten in Betrieb, um es aufzuwärmen. Schalten Sie das Werkzeug aus, und ziehen Sie den Stecker.

Lockern Sie die sechs Schrauben, und nehmen Sie den Griff ab. Beachten Sie, dass sich die oberen Schrauben von den übrigen Schrauben unterscheiden.

Trennen Sie das Verbindungsstück durch Ziehen.

(Abb. 25)

Lockern Sie die Schrauben, und nehmen Sie den Umschalthebel ab. (Abb. 26)

Entfernen Sie die Abdeckung der Kurbelkappe.

Entnehmen Sie die Steuerplatte. (Dies gilt nicht für das Modell HR5211C.) (Abb. 27)

Lockern Sie die sechs Schrauben mit einem Schraubendreher, und entfernen Sie die Kurbelkappe. Legen Sie das Werkzeug mit der Einsatzspitze nach oben auf den Tisch. Auf diese Weise kann sich das Fett im Kurbelgehäuse sammeln. (Abb. 28)

Wischen Sie innen das alte Fett aus, und ersetzen Sie es durch neues Fett (60 g). Verwenden Sie nur das Hammerfett von Makita (separat erhältliches Zubehör). Wenn Sie mehr Fett auffüllen als angegeben (etwa 60 g), kann dies zu Ausfällen und Fehlfunktionen des Werkzeugs führen. Füllen Sie nur die angegebene Menge an Fett auf. (Abb. 29)

Setzen Sie die Kurbelkappe wieder auf, und ziehen Sie diese mit dem Schraubendreher fest. Schließen Sie das Verbindungsstück an, und bringen Sie den Griff wieder an. (Abb. 30)

ACHTUNG:

- Die Kurbelkappe darf nicht zu fest angezogen werden. Sie ist aus Kunststoff gefertigt und kann brechen.
- Seien Sie besonders beim Auswischen des alten Fetts oder der Anbringung des Fetts vorsichtig, damit Sie das Verbindungsstück oder die Leitungen nicht beschädigen.

Um die SICHERHEIT und ZUVERLÄSSIGKEIT des Produkts zu gewährleisten, sollten Reparaturen, Wartungsarbeiten und Einstellungen nur durch von Makita autorisierte Servicecenter durchgeführt und immer Makita-Ersatzteile verwendet werden.

ZUBEHÖR

ACHTUNG:

- Die folgenden Zubehör- und Zusatzteile werden für das in diesem Handbuch beschriebene Makita-Werkzeug empfohlen. Die Verwendung anderer Zubehör- und Zusatzteile kann zu Personenschäden führen. Verwenden Sie Zubehör- und Zusatzteile nur für den vorgesehenen Zweck.

Informationen zu diesem Zubehör erhalten Sie bei einem Makita-Servicecenter in Ihrer Nähe.

- SDS-Max-Hartmetallspezien
- Ausbuchssystem
- Ramme
- Bohrkronenadapter
- Bohrkronen
- SDS-Max-Punkthammer
- SDS-MAX-Kaltmeißel
- SDS-MAX-Verzunderungsmeißel
- SDS-MAX-Fließeisenmeißel
- SDS-MAX-Nutenmeißel
- SDS-MAX-Lehmspaten
- Hammerfett
- Bohrer-/Meißelfett
- Seitengriff
- Seitenzusatzgriff
- Tiefenanschlag
- Ausblasvorrichtung
- Schutzbrille
- Transportkoffer

Für Modell HR5201C

Schallpegel ENG102-3

Typischer A-bewerteter Schallpegel nach EN60745:

Schalldruckpegel (L_{pA}): 100 dB (A)

Schalleistungspegel (L_{WA}): 111 dB (A)

Abweichung (K): 3 dB (A)

Tragen Sie Gehörschutz.

Schwingung ENG216-2

Schwingungsgesamtwerte (Vektorsumme dreier Achsen) nach EN60745:

Arbeitsmodus: Meißelarbeiten mit Seitengriff

Schwingungsbelastung ($a_{h, CHeq}$): 13,5 m/s²

Abweichung (K): 1,5 m/s²

ENG306-1

Arbeitsmodus: Meißelarbeiten mit Seitengriff

Schwingungsbelastung ($a_{h, CHeq}$): 14 m/s²

Abweichung (K): 1,5 m/s²

ENG303-2

Arbeitsmodus: Schlagbohren in Beton

Schwingungsbelastung ($a_{h, HD}$): 19,5 m/s²

Abweichung (K): 3 m/s²

Modell HR5210C

Schallpegel ENG102-3

Typischer A-bewerteter Schallpegel nach EN60745:

Schalldruckpegel (L_{pA}): 99 dB (A)

Schalleistungspegel (L_{WA}): 110 dB (A)

Abweichung (K): 3 dB (A)

Tragen Sie Gehörschutz.

Schwingung ENG216-2

Schwingungsgesamtwerte (Vektorsumme dreier Achsen) nach EN60745:

Arbeitsmodus: Meißelarbeiten mit Seitengriff

Schwingungsbelastung ($a_{h, CHeq}$): 12 m/s²

Abweichung (K): 2,5 m/s²

ENG306-1

Arbeitsmodus: Meißelarbeiten mit Seitengriff

Schwingungsbelastung ($a_{h, CHeq}$): 9,5 m/s²

Abweichung (K): 1,5 m/s²

ENG303-2

Arbeitsmodus: Schlagbohren in Beton

Schwingungsbelastung ($a_{h, HD}$): 17 m/s²

Abweichung (K): 2 m/s²

Für Modell HR5211C

Schallpegel ENG102-3

Typischer A-bewerteter Schallpegel nach EN60745:

Schalldruckpegel (L_{pA}): 100 dB (A)

Schalleistungspegel (L_{WA}): 111 dB (A)

Abweichung (K): 3 dB (A)

Tragen Sie Gehörschutz.

Schwingung ENG216-2

Schwingungsgesamtwerte (Vektorsumme dreier Achsen) nach EN60745:

Arbeitsmodus: Meißelarbeiten mit Seitengriff

Schwingungsbelastung ($a_{h, CHeq}$): 11 m/s²

Abweichung (K): 1,5 m/s²

ENG306-1

Arbeitsmodus: Meißelarbeiten mit Seitengriff

Schwingungsbelastung ($a_{h, CHeq}$): 8 m/s²

Abweichung (K): 1,5 m/s²

ENG303-2

Arbeitsmodus: Schlagbohren in Beton

Schwingungsbelastung ($a_{h, HD}$): 12,5 m/s²

Abweichung (K): 2 m/s²

ENG901-1

- Der hier angegebene Wert für die erzeugten Schwingungen wurde gemäß dem genormten Testverfahren ermittelt und kann als Vergleich zu anderen Werkzeugen herangezogen werden.
- Der angegebene Wert für die erzeugten Schwingungen ist außerdem für eine vorbeugende Bewertung der Belastung zu verwenden.

WARNUNG:

- Die Schwingungsbelastung kann bei tatsächlichem Gebrauch des Elektrowerkzeugs in Abhängigkeit von der Handhabung des Elektrowerkzeugs von dem hier aufgeführten Wert abweichen.
- Stellen Sie sicher, dass Schutzmaßnahmen für den Bediener getroffen werden, die auf den unter den tatsächlichen Arbeitsbedingungen zu erwartenden Belastungen beruhen (beziehen Sie alle Bestandteile des Arbeitsablaufs ein, also zusätzlich zu den Arbeitszeiten auch Zeiten, in denen das Werkzeug ausgeschaltet ist oder ohne Last läuft).

Nur für europäische Länder

ENH101-13

EG-Konformitätserklärung

Wir, Makita Corporation als verantwortlicher Hersteller, erklären, dass die folgenden Geräte der Marke Makita:

Bezeichnung des Geräts:

Bohrhammer

Bohrhammer

Nummer / Typ des Modells: HR5201C, HR5210C,

HR5211C

in Serienfertigung hergestellt werden und

den folgenden Richtlinien der Europäischen Union genügen:

98/37/EC bis 28. Dezember 2009 und 2006/42/EC ab

dem 29. Dezember 2009

Außerdem werden die Geräte gemäß den folgenden

Standards oder Normen gefertigt:

EN60745

Die technische Dokumentation erfolgt durch unseren
Bevollmächtigten in Europa:

Makita International Europe Ltd.,
Michigan, Drive, Tongwell,
Milton Keynes, MK15 8JD, England

30. Januar 2009



Tomoyasu Kato
Direktor
Makita Corporation
3-11-8, Sumiyoshi-cho
Anjo, Aichi, JAPAN

ITALIANO (Istruzioni originali)

Spiegazione della vista generale

- | | | |
|--|----------------------------|-------------------------------|
| 1. Interruttore | 10. Dado di serraggio | 20. Nero |
| 2. Leva dell'interruttore | 11. Impugnatura laterale | 21. Bianco |
| 3. Ghiera di regolazione | 12. Gambo della punta | 22. Connettore |
| 4. Leva di selezione della modalità | 13. Grasso per punte | 23. Vite |
| 5. Indicatore | 14. Punta | 24. Coperchio della manovella |
| 6. Pulsante di blocco | 15. Copertura del mandrino | 25. Piastra di controllo |
| 7. Spia indicazione accensione (verde) | 16. Calibro di profondità | 26. Cacciavite |
| 8. Spia di servizio (rossa) | 17. Vite di serraggio | 27. Protezione manovella |
| 9. Impugnatura laterale | 18. Soffietto a peretta | 28. Grasso per martello |
| | 19. Viti | |

CARATTERISTICHE TECNICHE

Modello		HR5201C	HR5210C	HR5211C
Capacità di foratura	Punta al carburo di tungsteno	52 mm		
	Punta centrale	160 mm		
Velocità a vuoto (min ⁻¹)		130 - 260		
Colpi al minuto		1.075 – 2.150		
Lunghezza totale		599 mm		
Peso netto		11,3 kg	12,1 kg	12,2 kg
Classe di sicurezza		II/II		

- Le caratteristiche tecniche riportate di seguito sono soggette a modifiche senza preavviso in virtù del nostro programma continuo di ricerca e sviluppo.
- Le caratteristiche tecniche possono differire da paese a paese.
- Peso determinato in conformità con la EPTA-Procedure 01/2003

Uso previsto

ENE044-1

L'utensile è progettato per la foratura a percussione di mattoni, cemento e pietra, e per lavori di scalpellatura.

Alimentazione

ENF002-1

L'utensile deve essere collegato a una presa di corrente con la stessa tensione di quella indicata sulla targhetta e può funzionare soltanto con corrente alternata monofase. L'utensile è dotato di doppio isolamento in osservanza alle norme europee, pertanto può essere usato anche con prese di corrente sprovviste della messa a terra.

Avvertenze generali di sicurezza per l'uso dell'utensile

GEA010-1

⚠ AVVERTENZA Leggere attentamente tutte le avvertenze di sicurezza e le istruzioni. La mancata osservanza delle istruzioni e delle avvertenze riportate di seguito potrebbe provocare scosse elettriche, incendi e/o lesioni gravi.

Conservare le avvertenze e le istruzioni per riferimenti futuri.

AVVERTENZE DI SICUREZZA PER IL MARTELLO ROTATIVO

GEB007-7

1. **Indossare protezioni acustiche.** L'esposizione al rumore può causare la perdita della capacità uditiva.

2. **Utilizzare le maniglie ausiliarie, se fornite con l'utensile.** La perdita di controllo può provocare lesioni personali.

3. **Se vengono eseguite operazioni in cui l'accessorio da taglio può toccare fili nascosti o il cavo di alimentazione dell'utensile, impugnare l'utensile utilizzando i punti di presa isolati.** Se l'accessorio da taglio entra a contatto con un filo percorso da corrente, le parti metalliche esposte dell'utensile si troveranno anch'esse sotto tensione e potrebbero provocare scosse elettriche all'operatore.

4. **Indossare un elmetto (casco di sicurezza), occhiali di sicurezza e/o visiere protettivi.** Gli occhiali comuni da vista o gli occhiali da sole **NON** sono occhiali di sicurezza. Si consiglia anche di indossare una maschera per la polvere e guanti imbottiti.

5. **Prima di azionare l'utensile, verificare che la punta sia fissata nella posizione corretta.**

6. **In condizioni d'uso normali, l'attrezzo è progettato per produrre vibrazioni.** Le viti possono svitarsi facilmente, causando una rottura o un incidente. **Prima del funzionamento, controllare che le viti sono serrate.**

7. **Con temperature fredde o se l'attrezzo non è stato utilizzato a lungo, lasciare riscaldare l'attrezzo per qualche istante azionandolo senza nessun carico.** In tal modo il lubrificante sarà meno viscoso e più efficace. Le operazioni di martellatura sono difficili senza un preriscaldamento adeguato.

8. **Accertarsi sempre di avere un equilibrio costante. Accertarsi che nessuno si trova sotto all'attrezzo quando viene utilizzato in posizioni elevate.**
9. **Tenere saldamente l'utensile con entrambe le mani.**
10. **Mantenere le mani lontano dalle parti in movimento.**
11. **Non lasciare l'attrezzo acceso. Azionare l'attrezzo solo quando viene tenuto in mano.**
12. **Non puntare l'attrezzo verso persone nell'area di lavoro. La punta potrebbe fuoriuscire e danneggiare seriamente le persone.**
13. **Non toccare la punta o le parti vicino alla punta subito dopo aver utilizzato l'utensile in quanto possono raggiungere temperature elevate e provocare ustioni.**
14. **Alcuni materiali contengono prodotti chimici che possono essere tossici. Evitare l'inalazione della polvere e il contatto con la pelle. Attenersi alle istruzioni per la sicurezza del fornitore dei materiali.**

CONSERVARE LE PRESENTI ISTRUZIONI.

AVVERTENZA:

NON lasciare che la familiarità acquisita con il prodotto (dovuta all'uso ripetuto) provochi l'inosservanza delle regole di sicurezza per il presente utensile. L'USO IMPROPRIO o la mancata osservanza delle norme di sicurezza contenute in questo manuale può provocare lesioni personali gravi.

DESCRIZIONE FUNZIONALE

ATTENZIONE:

- Prima di regolare o controllare le funzioni dell'utensile, verificare sempre di averlo spento e scollegato dall'alimentazione.

Azionamento dell'interruttore (Fig. 1)

PER IL MODELLO HR5211C

ATTENZIONE:



- Prima di collegare l'utensile, controllare che l'interruttore funzioni correttamente e ritorni alla posizione "OFF" una volta rilasciato.

Per accendere l'utensile è sufficiente premere l'interruttore. Per spegnere l'utensile, rilasciare l'interruttore.

PER I MODELLI HR5210C/HR5201C

Interruttore


ATTENZIONE:

- Prima di collegare l'utensile, controllare che l'interruttore funzioni correttamente e ritorni alla posizione "OFF" una volta rilasciato.
- Questo interruttore funziona quando l'utensile è impostato per le modalità d'uso indicate dai simboli  o .

Per accendere l'utensile è sufficiente premere l'interruttore. Per spegnere l'utensile, rilasciare l'interruttore.

Interruttore a scorrimento

ATTENZIONE:

- Prima di collegare l'utensile all'alimentazione elettrica, verificare che sia spento.
- Questo interruttore funziona solo quando l'utensile è impostato per la modalità d'uso indicata dal simbolo .

L'interruttore a scorrimento è comodo quando si utilizza l'utensile per tempi prolungati. Per avviare l'utensile, premere il lato "I (ON)" della leva dell'interruttore. Per fermare l'utensile, premere il lato "O (OFF)" della leva dell'interruttore. (Fig. 2)

Modifica della velocità (Fig. 3)

Il numero di giri e di colpi al minuto possono essere regolati ruotando la ghiera di regolazione. I segni sulla ghiera vanno da 1 (velocità minima) a 5 (velocità massima).

Fare riferimento alla tabella seguente per quanto riguarda la relazione fra la posizione della ghiera e il numero di giri e di colpi al minuto.


Numero sulla ghiera di regolazione	Giri al minuto	Colpi al minuto
5	260	2.150
4	240	2.000
3	190	1.600
2	150	1.250
1	130	1.075

ATTENZIONE:

- Se l'utensile è usato per molto tempo a basse velocità, in modo continuativo, il motore risulterà sovraccaricato, con il risultato di un cattivo funzionamento.
- La ghiera di regolazione della velocità può essere ruotata soltanto fino a 5 o indietro fino a 1. Non forzarla oltre 5 o 1: potrebbe non funzionare più correttamente.

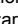
Selezione della modalità operativa

Foratura con percussione (Fig. 4 e 5)

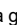
Per la foratura di cemento, muratura, eccetera, rilasciare il pulsante di blocco e ruotare la leva di selezione della modalità operativa fino al simbolo . Utilizzare una punta a carburo di tungsteno.

Solo percussione

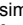
PER I MODELLI HR5201C E HR5210C (Fig. 6)

Per scalpellare, scagliare o demolire, rilasciare il pulsante di blocco e ruotare la leva di selezione della modalità operativa fino al simbolo . Utilizzare una punta gigante, uno scalpello a freddo, uno scalpello per scagliatura, eccetera.


Per percussioni prolungate (SOLO PER I MODELLI HR5201C E HR5210C) (Fig. 7)

Per scalpellare, scagliare o demolire, rilasciare il pulsante di blocco e ruotare la leva di selezione della modalità operativa fino al simbolo . Utilizzare una punta gigante, uno scalpello a freddo, uno scalpello per scagliatura, eccetera.

ATTENZIONE:

- Quando si usa l'utensile nella modalità indicata dal simbolo , l'interruttore ordinario è disattivato: funziona solo l'interruttore a scorrimento.

PER IL MODELLO HR5211C (Fig. 8)

Per scalpellare, scagliare o demolire, rilasciare il pulsante di blocco e ruotare la leva di selezione della modalità operativa fino al simbolo . Utilizzare una punta gigante, uno scalpello a freddo, uno scalpello per scagliatura, eccetera.

ATTENZIONE:

- Non ruotare la leva di selezione della modalità operativa mentre l'utensile è acceso e sotto carico. L'utensile potrebbe essere danneggiato.
- Per evitare una rapida usura del meccanismo di modifica della modalità, accettarsi che la leva di selezione della modalità operativa sia sempre posizionata correttamente su una delle tre posizioni previste.

Limitatore di coppia

Il limitatore di coppia si attiva quando viene raggiunto un certo livello di coppia. Il motore si disinnesta dall'albero motore. In tal caso, la punta smette di girare.

ATTENZIONE:

- Non appena il limitatore di coppia si attiva, spegnere immediatamente l'utensile. Questo previene l'usura prematura dell'utensile.

Spia luminosa (Fig. 9)

La spia verde dell'alimentazione si accende quando l'utensile è collegato alla presa di corrente. Se la spia non si accende, il cavo di alimentazione o il controller potrebbero essere difettosi. Se la spia si accende ma l'utensile non si avvia nonostante sia acceso, potrebbero essersi usurate le spazzole di carbone oppure il controller, il motore o l'interruttore potrebbero essere difettosi.

La spia di servizio rossa lampeggia quando le spazzole di carbone sono quasi del tutto usurate, per indicare che l'utensile ha bisogno di manutenzione. Il motore viene automaticamente disattivato dopo circa 8 ore di utilizzo.

MONTAGGIO

ATTENZIONE:

- Accertarsi sempre che l'utensile sia spento e scollegato dalla presa di corrente prima di iniziare qualsiasi operazione su di esso.

Impugnatura laterale (Fig. 10)

ATTENZIONE:

- Usare l'impugnatura laterale solo per scalpellare, scagliare o demolire. Non utilizzarla per forare cemento, murature, eccetera. Non è possibile sorreggere correttamente l'utensile mediante questa impugnatura durante la perforazione.

L'impugnatura laterale può essere girata a 360° in verticale e fissata in qualunque posizione desiderata. Si può anche fissare orizzontalmente, avanti e indietro, in otto diverse posizioni. Per girare l'impugnatura nella posizione desiderata è sufficiente allentare il dado di

serraggio. Dopo l'operazione, stringere completamente il dado di serraggio. (Fig. 11)

Impugnatura laterale (Fig. 12)

ATTENZIONE:

- Usare sempre il manico laterale per lavorare con sicurezza durante le operazioni di foratura in cemento, muratura, eccetera.

Il manico laterale può essere collocato su entrambi i lati dell'utensile per consentire una presa sicura in qualsiasi posizione di lavoro. Allentare il manico laterale ruotandolo in senso antiorario, collocarlo nella posizione desiderata e fissarlo, ruotandolo in senso orario.

Grasso per punte (accessorio opzionale)

Spalmare una piccola quantità di grasso (0,5 – 1 g circa) sulla testa del gambo della punta prima di cominciare il lavoro. Questa lubrificazione del mandrino ne assicura il movimento scorrevole e la lunga durata.

Installazione o rimozione della punta (Fig. 13)

Pulire il gambo della punta e applicare il grasso prima di installare la punta.


Inserire la punta nell'utensile. Ruotare la punta e spingere fino ad agganciarla. (Fig. 14)

Se non è possibile inserire la punta, rimuoverla.


Abbassare la copertura del mandrino un paio di volte. Quindi inserire nuovamente la punta. Ruotare la punta e spingere fino ad agganciarla.

Dopo l'installazione, verificare sempre che la punta rimanga saldamente in posizione, provando ad estrarla. Per rimuovere la punta, abbassare completamente la copertura del mandrino ed estrarre la punta. (Fig. 15)

Angolo della punta (durante la scalpellatura, la scagliatura o la demolizione) (Fig. 16 e 17)

È possibile fissare la punta secondo 16 angoli diversi. Per modificare l'angolo della punta, rilasciare il pulsante di blocco e ruotare la leva di selezione della modalità operativa fino al simbolo .

Ruotare la punta fino all'angolo desiderato.

Rilasciare il pulsante di blocco e ruotare la leva per la modifica della modalità operativa fino al simbolo . Quindi verificare che la punta rimanga saldamente in posizione ruotandola leggermente. (Fig. 18 e 19)

Calibro di profondità (Fig. 20)


Il calibro di profondità è utile per praticare fori della stessa profondità. Allentare la vite di serraggio e regolare il calibro di profondità alla profondità desiderata. Al termine della regolazione, stringere saldamente la vite di serraggio.

NOTA:

- Non è possibile utilizzare il calibro di profondità quando tocca l'alloggiamento degli ingranaggi o del motore.

USO

Foratura con percussione (Fig. 21)

Impostare la leva di selezione della modalità sul simbolo .

Collocare la punta nella posizione desiderata per il foro, quindi premere l'interruttore. Non forzare l'utensile. Una pressione lieve produce i risultati migliori. Mantenere l'utensile in posizione e impedire che la punta fuoriesca dal foro.

Non aumentare la pressione quando il foro è ostruito da frammenti o schegge. Al contrario, azionare l'utensile alla velocità minima, quindi rimuovere parzialmente la punta dal foro. Ripetere l'operazione più volte fino a quando il foro risulta sgombro ed è possibile riprendere la foratura.


ATTENZIONE:

- Se la punta comincia a sfondare il cemento, o se urta contro barre di rinforzo all'interno del cemento, l'utensile può avere una reazione pericolosa. Mantenere un buon bilanciamento e una buona presa a terra e sorreggere fermamente l'utensile con entrambe le mani per evitare reazioni pericolose.

Soffietto a peretta (accessorio opzionale) (Fig. 22)

Al termine della foratura, utilizzare il soffietto a peretta per ripulire il foro dalla polvere.

Scalpatura/scagliatura/demolizione (Fig. 23)

Impostare la leva di selezione della modalità sul simbolo .

Tenere saldamente l'utensile con entrambe le mani.

Accendere l'utensile e applicare una leggera pressione in modo da evitare rimbalzi non controllati. L'efficienza dell'utensile non aumenta se si applica una pressione più forte.

MANUTENZIONE

ATTENZIONE:

- Prima di effettuare controlli e operazioni di manutenzione, verificare sempre che l'utensile sia spento e scollegato.

Lubrificazione

ATTENZIONE:

- Questa manutenzione deve essere effettuata solo da centri di assistenza autorizzati Makita o dal servizio interno del produttore.

Questo utensile non richiede una lubrificazione quotidiana o regolare, perché dispone di un sistema di lubrificazione con grasso. L'utensile deve essere lubrificato a ogni sostituzione delle spazzole di carbone. (Fig. 24)

Azionare l'utensile per diversi minuti in modo da riscaldarlo. Spegnerne l'utensile e scollegarlo dalla presa elettrica.

Allentare le sei viti e rimuovere l'impugnatura. Si noti che le viti superiori sono diverse dalle altre.

Sconnettere il connettore, tirandolo. (Fig. 25)

Allentare le viti e rimuovere la leva di selezione della modalità. (Fig. 26)

Rimuovere il coperchio della manovella.

Rimuovere la piastra di controllo. (tranne che per il modello HR5211C). (Fig. 27)

Con un cacciavite, svitare le sei viti e rimuovere il coperchio della manovella. Posare l'utensile su un banco da lavoro con la punta rivolta verso l'alto. In tal modo il

grasso si raccoglierà nell'alloggiamento della manovella. (Fig. 28)

Asportare il grasso all'interno dell'alloggiamento e sostituirlo con grasso nuovo (60 g). Usare solo grasso per martelli originale Makita (accessorio opzionale). Il riempimento con una quantità di grasso superiore a quella indicata (approx. 60 g) può causare una percussione difettosa o guasti all'utensile. Riempire solo con la quantità di grasso specificata. (Fig. 29)

Rimontare il coperchio della manovella e stringere le viti con il cacciavite. Collegare il connettore e rimontare l'impugnatura. (Fig. 30)

ATTENZIONE:

- Non stringere eccessivamente il coperchio della manovella. Il coperchio è costruito in resina ed è soggetto a rotture.
- Fare attenzione a non danneggiare il connettore o i conduttori, specie durante la rimozione del grasso o l'installazione dell'impugnatura.

Per mantenere la SICUREZZA e l'AFFIDABILITÀ del prodotto, le riparazioni e qualsiasi altra operazione di manutenzione o regolazione devono essere eseguiti dai centri di assistenza autorizzati Makita utilizzando sempre parti di ricambio Makita.

ACCESSORI

ATTENZIONE:

- Si raccomanda di usare questi accessori per l'utensile Makita descritto in questo manuale. L'uso di qualsiasi altro accessorio potrebbe provocare lesioni personali. Utilizzare gli accessori esclusivamente per l'uso dichiarato.

Per l'assistenza e ulteriori informazioni su tali accessori, rivolgersi al centro di assistenza Makita più vicino.

- Punta SDS Max al carburo di tungsteno
- Bocciarda
- Mazzuolo
- Adattatore per punta centrale
- Punta centrale
- Punta gigante SDS Max
- Scalpello a freddo SDS Max
- Scalpello per scagliatura SDS Max
- Scalpello per piastrelle SDS Max
- Scalpello per scanalature SDS Max
- Paletta per argilla SDS Max
- Grasso per martello
- Grasso per punte
- Manico laterale
- Impugnatura laterale
- Calibro di profondità
- Soffietto a peretta
- Occhiali di protezione
- Valigetta

Per il modello HR5201C

Rumore

ENG102-3

Il tipico livello di rumore ponderato "A" è determinato in conformità con la norma EN60745:

Livello di pressione sonora (L_{pA}): 100 dB (A)

Livello di potenza sonora (L_{WA}): 111 dB (A)

Variazione (K): 3 dB (A)

Indossare una protezione acustica.

Vibrazioni

ENG216-2

Il valore totale delle vibrazioni (somma vettoriale triassiale) è determinato in conformità con la norma EN60745:

Modalità di lavoro: scalpellatura con impugnatura laterale

Emissione di vibrazioni ($a_{h,CHeq}$): 13,5 m/s²

Variazione (K): 1,5 m/s²

ENG306-1

Modalità di lavoro: scalpellatura con impugnatura laterale

Emissione di vibrazioni ($a_{h,CHeq}$): 14 m/s²

Variazione (K): 1,5 m/s²

ENG303-2

Modalità di lavoro: foratura con martellamento del cemento

Emissione di vibrazioni ($a_{h,HD}$): 19,5 m/s²

Variazione (K): 3 m/s²

Per il modello HR5210C

Rumore

ENG102-3

Il tipico livello di rumore ponderato "A" è determinato in conformità con la norma EN60745:

Livello di pressione sonora (L_{pA}): 99 dB (A)

Livello di potenza sonora (L_{WA}): 110 dB (A)

Variazione (K): 3 dB (A)

Indossare una protezione acustica.

Vibrazioni

ENG216-2

Il valore totale delle vibrazioni (somma vettoriale triassiale) è determinato in conformità con la norma EN60745:

Modalità di lavoro: scalpellatura con impugnatura laterale

Emissione di vibrazioni ($a_{h,CHeq}$): 12 m/s²

Variazione (K): 2,5 m/s²

ENG306-1

Modalità di lavoro: scalpellatura con impugnatura laterale

Emissione di vibrazioni ($a_{h,CHeq}$): 9,5 m/s²

Variazione (K): 1,5 m/s²

ENG303-2

Modalità di lavoro: foratura con martellamento del cemento

Emissione di vibrazioni ($a_{h,HD}$): 17 m/s²

Variazione (K): 2 m/s²

Per il modello HR5211C

Rumore

ENG102-3

Il tipico livello di rumore ponderato "A" è determinato in conformità con la norma EN60745:

Livello di pressione sonora (L_{pA}): 100 dB (A)

Livello di potenza sonora (L_{WA}): 111 dB (A)

Variazione (K): 3 dB (A)

Indossare una protezione acustica.

Vibrazioni

ENG216-2

Il valore totale delle vibrazioni (somma vettoriale triassiale) è determinato in conformità con la norma EN60745:

Modalità di lavoro: scalpellatura con impugnatura laterale

Emissione di vibrazioni ($a_{h,CHeq}$): 11 m/s²

Variazione (K): 1,5 m/s²

ENG306-1

Modalità di lavoro: scalpellatura con impugnatura laterale

Emissione di vibrazioni ($a_{h,CHeq}$): 8 m/s²

Variazione (K): 1,5 m/s²

ENG303-2

Modalità di lavoro: foratura con martellamento del cemento

Emissione di vibrazioni ($a_{h,HD}$): 12,5 m/s²

Variazione (K): 2 m/s²

ENG901-1

- Il valore di emissione delle vibrazioni dichiarato è stato misurato in conformità con il metodo di test standard e può essere utilizzato per confrontare tra loro diversi utensili.
- Il valore dell'emissione delle vibrazioni dichiarato può anche essere usato per stime preliminari dell'esposizione.

⚠ AVVERTENZA:

- L'emissione delle vibrazioni durante l'uso effettivo dell'utensile elettrico può risultare diversa rispetto al valore dichiarato, in base alla modalità d'uso dell'utensile.
- Assicurarsi di individuare le necessarie misure di sicurezza per proteggere l'operatore in base a una stima dell'esposizione nelle condizioni reali di utilizzo (prendendo in considerazione tutte le fasi del ciclo operativo, come quante volte l'utensile viene spento e i periodi in cui rimane inattivo, oltre al tempo di avviamento).

Solo per i paesi europei

ENH101-13

Dichiarazione di conformità CE

Makita Corporation, in qualità di produttore responsabile, dichiara che gli utensili Makita indicati di seguito:

Denominazione dell'utensile:

Martello rotativo

N. modello /Tipo: HR5201C, HR5210C, HR5211C

appartengono a una produzione in serie e

sono conformi alle seguenti direttive europee:

98/37/CE fino al 28 dicembre 2009 e

successivamente alla direttiva 2006/42/CE a partire dal 29 dicembre 2009

Sono inoltre prodotti in conformità con gli standard o i documenti standardizzati riportati di seguito:

EN60745

La documentazione tecnica viene conservata dal rappresentante autorizzato Makita in Europa, ovvero:

Makita International Europe Ltd.,

Michigan, Drive, Tongwell,

Milton Keynes, MK15 8JD, Inghilterra

30 gennaio 2009



Tomoyasu Kato

Direttore

Makita Corporation
3-11-8, Sumiyoshi-cho
Anjo, Aichi, JAPAN

NEDERLANDS (Originele instructies)

Verklaring van algemene gegevens

1. Schakelaar	11. Zijhandgreep	21. Wit
2. Aan/uit-schakelaar	12. Bitschacht	22. Connector
3. Stelknop	13. Bitvet	23. Schroef
4. Instelhefboom	14. Bit	24. Afdekking stangdop
5. Aanwijspunt	15. Bitkopdeksel	25. Bedieningsplaat
6. Vastzetknop	16. Diepteaanslag	26. Schroevendraaier
7. AAN indicatielamp (groen)	17. Klemschroef	27. Stangdop
8. Bedrijfsindicatielamp (rood)	18. Blaasbalgje	28. Hamervet
9. Zijhandgreep	19. Schroeven	
10. Moer klem	20. Zwart	

TECHNISCHE GEGEVENS

Model		HR5201C	HR5210C	HR5211C
Vermogen	Hardmetalen bit	52 mm		
	Kroonbit	160 mm		
Nullasttoerental (min ⁻¹)		130 - 260		
Aantal slagen/minuut		1.075 - 2.150		
Totale lengte		599 mm		
Netto gewicht		11,3 kg	12,1 kg	12,2 kg
Veiligheidsklasse		II/II		

- Als gevolg van ons doorlopende onderzoeks- en ontwikkelingsprogramma, zijn de technische gegevens van dit gereedschap onderhevig aan veranderingen zonder voorafgaande kennisgeving.
- De technische gegevens kunnen van land tot land verschillen.
- Gewicht volgens EPTA-procedure 01/2003

Gebruiksdoeleinden

Het gereedschap is bedoeld voor hamerboren in baksteen, beton en steen, en tevens voor beitelwerk.

Voeding

Het gereedschap mag uitsluitend worden aangesloten op een voeding met dezelfde spanning als aangegeven op het identificatieplaatje en werkt alleen op enkele-fase wisselstroom. Het gereedschap is dubbel geïsoleerd volgens de Europese norm en mag derhalve ook op een niet-geaard stopcontact worden aangesloten.

Algemene veiligheidswaarschuwingen voor elektrisch gereedschap

⚠ WAARSCHUWING Lees alle veiligheidswaarschuwingen en alle instructies. Het niet volgen van de waarschuwingen en instructies kan leiden tot elektrische schokken, brand en/of ernstig letsel.

Bewaar alle waarschuwingen en instructies om in de toekomst te kunnen raadplegen.

VEILIGHEIDSWAARSCHUWINGEN VOOR BOORHAMER

1. **Draag gehoorbescherming.** Blootstelling aan harde geluiden kan leiden tot gehoorbeschadiging.

2. **Gebruik de hulphandgrepen, als deze bij het gereedschap werden geleverd.** Als u de controle over het gereedschap verliest, kan dit leiden tot persoonlijk letsel.
3. **Houd elektrisch gereedschap vast aan het geïsoleerde oppervlak van de handgrepen wanneer u werkt op plaatsen waar het bitaccessoire met verborgen bedrading of zijn eigen snoer in aanraking kan komen.** Wanneer het bitaccessoire in aanraking komen met onder spanning staande draden, zullen de niet-geïsoleerde metalen delen van het gereedschap onder spanning komen te staan zodat de gebruiker een elektrische schok kan krijgen.
4. **Draag een veiligheidshelm, veiligheidsbril en/of gezichtsbescherming.** Een gewone bril of een zonnebril is GEEN veiligheidsbril. Het wordt tevens sterk aanbevolen een stofmasker en dik gevoerde handschoenen te dragen.
5. **Controleer dat het bit stevig op zijn plaats is vastgezet voordat u het gereedschap gebruikt.**
6. **Bij normale bediening behoort het gereedschap te trillen.** De schroeven kunnen gemakkelijk losraken, waardoor een defect of ongeluk kan ontstaan. Controleer of de schroeven goed zijn aangedraaid, alvorens het gereedschap te gebruiken.
7. **In koude weersomstandigheden of wanneer het gereedschap gedurende een lange tijd niet is gebruikt, laat u het gereedschap eerst opwarmen door het onbelast te laten werken.** Hierdoor zal de

- smering worden verbeterd. Zonder degelijk opwarmen, zal de hamerwerking moeilijk zijn.
8. **Zorg er altijd voor dat u stevig staat. Zorg ervoor dat er niemand zich onder u bevindt wanneer u het gereedschap op een hoge plaats gebruikt.**
 9. **Houd het gereedschap met beide handen stevig vast.**
 10. **Houd uw handen uit de buurt van bewegende delen.**
 11. **Laat het gereedschap niet ingeschakeld liggen. Bedien het gereedschap alleen wanneer u het vasthoudt.**
 12. **Richt het gereedschap niet op iemand in de buurt terwijl het is ingeschakeld. Het bit zou eruit kunnen vliegen en iemand ernstig verwonden.**
 13. **Raak het bit en onderdelen in de buurt van het bit niet onmiddellijk na gebruik aan. Zij kunnen bijzonder heet zijn en brandwonden op uw huid veroorzaken.**
 14. **Sommige materialen bevatten chemische stoffen die giftig kunnen zijn. Neem voorzorgsmaatregelen tegen het inademen van stof en contact met de huid. Volg de veiligheidsinstructies van de leverancier van het materiaal op.**

BEWAAR DEZE INSTRUCTIES

WAARSCHUWING:

Laat u NIET misleiden door een vals gevoel van comfort en bekendheid met het gereedschap (na veelvuldig gebruik) en neem alle veiligheidsvoorschriften van het betreffende product altijd strikt in acht. VERKEERD GEBRUIK of het niet volgen van de veiligheidsinstructies in deze gebruiksaanwijzing kan leiden tot ernstig persoonlijk letsel.

BESCHRIJVING VAN DE FUNCTIES

LET OP:

- Controleer altijd of het gereedschap is uitgeschakeld en de stekker uit het stopcontact is getrokken alvorens de functies van het gereedschap te controleren of af te stellen.

Aan/uit-schakelaar (zie afb. 1)

VOOR MODEL HR5211C

LET OP:

- Controleer altijd, voordat u de stekker in het stopcontact steekt, of de aan/uit-schakelaar op de juiste manier schakelt en weer terugkeert naar de uitstand nadat deze is losgelaten.

Om het gereedschap in te schakelen, knijpt u gewoon de aan/uit-schakelaar in. Laat de aan/uit-schakelaar los om het gereedschap te stoppen



VOOR DE MODELLEN HR5210C/HR5201C

Aan/uit-schakelaar

LET OP:

- Controleer altijd, voordat u de stekker in het stopcontact steekt, of de aan/uit-schakelaar op de


juiste manier schakelt en weer terugkeert naar de uitstand nadat deze is losgelaten.

- Deze schakelaar werkt als de machine in de  symbool en  symbool modes staat.

Om het gereedschap in te schakelen, knijpt u gewoon de aan/uit-schakelaar in. Laat de aan/uit-schakelaar los om het gereedschap te stoppen

Schuifknop

LET OP:

- Controleer voor u de stekker in het stopcontact steekt altijd of de machine uitgeschakeld is.
- Deze schakelaar werkt alleen als de machine in de  symbool werkingsmodus staat.

Voor het gedurende langere tijd gebruiken van de machine in de hamermodus is de schuifschakelaar beschikbaar. Druk om de machine te starten op de zijde "I (ON)" van de schakelaar. Druk om de machine te stoppen op de zijde "O (OFF)" van de schakelaar. (zie afb. 2)

De draaisnelheid veranderen (zie afb. 3)

Het toerental en het aantal slagen per minuut kan worden ingesteld door de instelschaal te verdraaien. Deze schaal is gemerkt van 1 (de laagste snelheid) tot 5 (volle snelheid).

Zie de tabel hieronder voor het verband tussen het op de schaal ingestelde cijfer en het aantal omwentelingen/slagen per minuut.


Cijfer op de schaal	Omwentelingen per minuut	Aantal slagen/ minuut
5	260	2.150
4	240	2.000
3	190	1.600
2	150	1.250
1	130	1.075

LET OP:

- Indien de machine gedurende lange tijd aan een laag toerental wordt gebruikt, geraakt de motor overbelast, wat leidt tot een storing van de machine.
- U kunt de snelheidsregelaar alleen tot aan het cijfer 5 draaien en terug naar 1. Forceer de schijf niet voorbij de 5 of de 1 omdat de snelheidsregeling daardoor onklaar raakt.


De werkingsfunctie selecteren

Roteren met hameren (zie afb. 4 en 5)

Voor het boren in beton, metselwerk, enz., drukt u de vastzetknop in en draait u de instelhefboom zo dat de wijzer naar het  symbool wijst. Gebruik een bit met een hardmetalen punt.

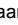
Alleen hameren

VOOR MODEL HR5201C EN HR5210C (zie afb. 6)


Voor kappen of afbraakwerkzaamheden drukt u de vastzetknop in en draait u de instelhefboom zo dat de wijzer naar het  symbool wijst. Gebruik een rond boor, koudbeitel, bikbeitel, enz.

Voor langdurig hameren (VOOR MODELLEN HR5201C EN HR5210C ALLEEN) (zie afb. 7)


Voor kappen of afbraakwerkzaamheden drukt u de vastzetknop in en draait u de instelhefboom zo dat de

wijzer naar het  symbool wijst. Gebruik een rond boor, koudbeitel, bikbeitel, enz.

LET OP:

- Bij gebruik van de machine in de  symboolmodus, werkt de drukschakelaar niet – alleen de schuifschakelaar werkt.

VOOR MODEL HR5211C (zie afb. 8)

Voor kappen of afbraakwerkzaamheden drukt u de vastzetknop in en draait u de instelhefboom zo dat de wijzer naar het  symbool wijst. Gebruik een rond boor, koudbeitel, bikbeitel, enz.

LET OP:

- Draai niet aan de instelhefboom terwijl de machine loopt onder belasting. Het gereedschap zal hierdoor worden beschadigd.
- Om snelle slijtage van het omschakelmechanisme te voorkomen, zorgt u ervoor dat de instelhefboom altijd precies in een van de twee of drie standen staat.

Koppelbegrenzer

De koppelbegrenzer treedt in werking wanneer de motor een bepaald koppel bereikt. De motor wordt dan ontkoppeld van de uitgangsas. Wanneer dit gebeurt, zal de boor ophouden met draaien.

LET OP:

- Schakel het gereedschap onmiddellijk uit wanneer de koppelbegrenzer in werking treedt. Hiermee helpt u vroegtijdige slijtage van het gereedschap voorkomen.

Indicatielampje (zie afb. 9)

Het groene lampje licht op wanneer het gereedschap op het lichtnet is aangesloten. Als het lampje niet brandt, kan het netsnoer beschadigd zijn of de sturing defect. Als het lampje brandt, maar het gereedschap niet start, zelfs niet wanneer de schakelaar in de aan-stand wordt gezet, kunnen de koolborstels versleten zijn, of kunnen de motor, de sturing, of de schakelaar defect zijn.

Het rode lampje gaat knipperen zodra de koolborstels bijna versleten zijn, om aan te geven dat de machine moet worden onderhouden. Na ong. 8 uren gebruik, stopt de motor automatisch.

ONDERDELEN AANBRENGEN/ VERWIJDEREN

LET OP:

- Controleer altijd of het gereedschap is uitgeschakeld en de stekker uit het stopcontact is getrokken alvorens enige werk aan het gereedschap uit te voeren.

Zijhandgreep (zie afb. 10)

LET OP:

- Gebruik de zijhandgreep alleen bij kappen, afkappen of afbreken. Gebruik hem niet om te boren in beton, metselwerk, enz. De machine kan tijdens het boren niet correct worden vastgehouden bij de zijhandgreep. De zijhandgreep kan over 360° om de verticale as worden verdraaid in om het even welke gewenste stand. Verder zijn er ook acht verschillende standen naar voor en naar achter op de horizontale. Los de klemmoer om de handgreep in de gewenste stand te brengen. Draai daarna de klemmoer stevig terug aan. (zie afb. 11)

Zijgreep (zie afb. 12)

LET OP:

- Gebruik altijd de zijgreep om veilig te werken bij het boren in beton, metselwerk, enz.

De zijhandgreep kan worden gedraaid en op iedere zijkant worden gemonteerd zodat het gereedschap eenvoudig kan worden gehanteerd vanuit iedere positie. Draai de zijhandgreep los door deze linksom te draaien, verdraai deze naar de gewenste positie en zet hem weer vast door hem rechtsom te draaien.

Bitvet (optioneel accessoire)

Voordat u de boor aanbrengt, smeert u een beetje bitvet (ca. 0,5 tot 1 gram) op de kop van de bitschacht. Met een ingevette bitkop zal het gereedschap beter werken en langer meegaan.

De bit aanbrengen en verwijderen (zie afb. 13)

Reinig de bitschacht en smeer er bitvet op alvorens de bit te installeren.


Steek de bit in het gereedschap. Draai de bit en duw hem naar binnen tot hij vergrendelt. (zie afb. 14)

Als de bit niet naar binnen kan worden geduwd, haalt u de bit eruit. Trek het verwisselring enkel keren omlaag. Steek de bit daarna opnieuw naar binnen. Draai de bit en duw hem naar binnen tot hij vergrendelt.

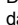
Controleer na het aanbrengen altijd of de bit stevig in het gereedschap is bevestigd door te proberen het eruit te trekken.

Om de bit te verwijderen, trekt u de verwisselring helemaal omlaag en vervolgens de bit eruit. (zie afb. 15)

Bithoek (bij kappen, bikken of slopen) (zie afb. 16 en 17)

De bit kan onder 16 verschillende hoeken worden vastgezet. Om de bithoek te veranderen, drukt u de vastzetknop in en draait u de omschakelknop naar het  symbool.

Draai de bit naar de gewenste hoek.

Druk op de vergrendelknop en draai de instelhefboom zo dat de indicatie naar het  symbool wijst. Controleer daarna of de bit stevig op zijn plaats vastzit door deze iets te verdraaien. (zie afb. 18 en 19)

Diepteanslag (zie afb. 20)


De diepteanslag is handig voor het boren van gaten van gelijke diepte. Los de klemschroef en stel de diepteanslag in op de gewenste diepte. Draai na het instellen de klemschroef stevig vast.

OPMERKING:

- De diepteanslag kan niet worden gebruikt in de positie waarbij deze tegen het tandwiel- of het motorhuis aanstoet.

BEDIENING

Gebruik als hamerboor (zie afb. 21)

Plaats de instelhefboom op  symbool.

Plaats de punt van de boor op de gewenste plaats waar geboord moet worden en trek vervolgens de schakelaar in. Forceer het gereedschap niet. Een lichte druk geeft de

beste resultaten. Houd het gereedschap stevig vast en zorg dat het niet uitglijdt.

Oefen geen grotere druk uit wanneer het boorgat verstopt raakt met schilfertjes of metaaldeeltjes. Laat in zo'n geval het gereedschap langzaam lopen en verwijder de boor gedeeltelijk uit het boorgat. Wanneer dit verschillende keren wordt herhaald, zal het boorgat schoon worden en kunt u normaal verder boren.

LET OP:

- Zodra de bit door het beton begint te breken of hij betonijzer raakt, kan de machine gevaarlijk reageren. Zorg voor een goed evenwicht en plast uw voeten veilig terwijl u de machine stevig met beide handen vasthoudt om een gevaarlijke reactie te vermijden.

Luchtblazer (los verkrijgbaar) (zie afb. 22)

Gebruik na het boren het blaasbalgje om het stof uit het boorgat te blazen.

Beitelen, bikken en slopen (zie afb. 23)

Plaats de instelhefboom op  symbool.

Houd het gereedschap met beide handen stevig vast. Schakel het gereedschap in en oefen er enige kracht op uit zodat het gereedschap niet oncontroleerbaar in het rond springt. Het gereedschap werkt niet efficiënter als u grote druk op het gereedschap uitoefent.

ONDERHOUD

LET OP:

- Zorg er altijd voor dat de machine is uitgeschakeld en de stekker uit het stopcontact is getrokken, voordat u een inspectie of onderhoud uitvoert.

Smeren

LET OP:

- Dit onderhoud mag alleen worden uitgevoerd door een door Makita erkend of een fabrieks-servicecentrum. Het is niet nodig dit gereedschap iedere uur of iedere dag te smeren omdat het is uitgerust met een gesloten smeersysteem. Smeer de machine telkens de koolborstels worden vervangen. (zie afb. 24)
- Laat het gereedschap enkele minuten werken om het op te warmen. Schakel het uit en trek de stekker uit het stopcontact.

Los de zes schroeven en verwijder de handgreep. Merk op dat de bovenste schroeven verschillen van de andere. Koppel de connector los daar er aan te trekken. (zie afb. 25)

Los de schroeven en verwijder de instelhefboom. (zie afb. 26)

Verwijder de stangkap.

Verwijder de instelplaat. (uitgezonderd voor model HR5211C) (zie afb. 27)

Los de zes schroeven met een schroevendraaier en verwijder de stangkap. Plaats het gereedschap op een tafel met het bit-uiteinde omhoog gericht. Hierdoor kan het oude vet zich in de kruijkast verzamelen. (zie afb. 28)

Veeg het oude vet aan de binnenkant weg en vervang dit door nieuw vet (60 g). Gebruik uitsluitend Makita-hamervet (los verkrijgbaar). Als u meer dan de aangegeven hoeveelheid vet bijvult (ong. 60 g), kan dit leiden tot een verkeerde hamerwerking of een defect van

het gereedschap. Vul niet meer dan de aangegeven hoeveelheid vet bij. (zie afb. 29)

Installeer de stangkap terug, en span aan met een schroevendraaier. Sluit de connector terug aan, en installeer de handgreep opnieuw. (zie afb. 30)

LET OP:

- Span de stangkap niet overdreven aan. Ze is gemaakt uit hars, en kan breken.
- Wees voorzichtig de connector of de aansluitdraden niet te beschadigen, speciaal bij het wegvegen van oud vet of het installeren van de handgreep.

Om de VEILIGHEID en BETROUWBAARHEID van het gereedschap te handhaven, dienen alle reparaties, onderhoud en afstellingen te worden uitgevoerd door een erkend Makita-servicecentrum, en altijd met gebruikmaking van originele Makita-ervangingsonderdelen.

ACCESSOIRES

LET OP:

- Deze accessoires of hulpstukken worden aanbevolen voor gebruik met het Makita-gereedschap dat in deze gebruiksaanwijzing wordt beschreven. Het gebruik van andere accessoires of hulpstukken kan gevaar voor persoonlijk letsel opleveren. Gebruik de accessoires of hulpstukken uitsluitend voor de aangegeven gebruiksdoeleinden.

Mocht u meer informatie willen hebben over deze accessoires, dan kunt u contact opnemen met uw plaatselijke Makita-servicecentrum.

- SDS-Max bits met een carbidepunt
- Doorvoergereedschap
- Ram
- Kroonbit-adapter
- Kroonbit
- SDS-Max bull punt
- SDS-MAX koude beitel
- SDS-MAX afkapbeitel
- SDS-MAX tegelbeitel
- SDS-MAX sleufbeitel
- SDS-MAX kleischop
- Hamervet
- Bitvet
- Zijhandgreep
- Zijhandgreep
- Diepteaanslag
- Blaasbalgje
- Veiligheidsbril
- Draagtas

Voor model HR5201C

Geluid

ENG102-3

De typische, A-gewogen geluidsniveaus zijn gemeten volgens EN60745:

Geluidsdrukniveau (L_{pA}): 100 dB (A)

Geluidsvermogeniveau (L_{wA}): 111 dB (A)

Onzekerheid (K): 3 dB (A)

Draag gehoorbescherming.

Trilling

ENG216-2

De totale trillingswaarde (triaxiale vectorsom) zoals vastgesteld volgens EN60745:

Gebruikstoepassing: beitelfunctie met zijhandgreep

Trillingsemisatie ($a_{h, CHeg}$): 13,5 m/s²
Onzekerheid (K): 1,5 m/s²

ENG306-1

Gebruikstoepassing: beitelfunctie met zijhandgreep

Trillingsemisatie ($a_{h, CHeg}$): 14 m/s²

Onzekerheid (K): 1,5 m/s²

ENG303-2

Gebruikstoepassing: hamerboren in beton

Trillingsemisatie ($a_{h, HD}$): 19,5 m/s²

Onzekerheid (K): 3 m/s²

Voor model HR5210C

Geluid

ENG102-3

De typische, A-gewogen geluidsniveaus zijn gemeten volgens EN60745:

Geluidsdrukkniveau (L_{pA}): 99 dB (A)

Geluidsvermogenkniveau (L_{wA}): 110 dB (A)

Onzekerheid (K): 3 dB (A)

Draag gehoorbescherming.

Trilling

ENG216-2

De totale trillingswaarde (triaxiale vectorsom) zoals vastgesteld volgens EN60745:

Gebruikstoepassing: beitelfunctie met zijhandgreep

Trillingsemisatie ($a_{h, CHeg}$): 12 m/s²

Onzekerheid (K): 2,5 m/s²

ENG306-1

Gebruikstoepassing: beitelfunctie met zijhandgreep

Trillingsemisatie ($a_{h, CHeg}$): 9,5 m/s²

Onzekerheid (K): 1,5 m/s²

ENG303-2

Gebruikstoepassing: hamerboren in beton

Trillingsemisatie ($a_{h, HD}$): 17 m/s²

Onzekerheid (K): 2 m/s²

Voor model HR5211C

Geluid

ENG102-3

De typische, A-gewogen geluidsniveaus zijn gemeten volgens EN60745:

Geluidsdrukkniveau (L_{pA}): 100 dB (A)

Geluidsvermogenkniveau (L_{wA}): 111 dB (A)

Onzekerheid (K): 3 dB (A)

Draag gehoorbescherming.

Trilling

ENG216-2

De totale trillingswaarde (triaxiale vectorsom) zoals vastgesteld volgens EN60745:

Gebruikstoepassing: beitelfunctie met zijhandgreep

Trillingsemisatie ($a_{h, CHeg}$): 11 m/s²

Onzekerheid (K): 1,5 m/s²

ENG306-1

Gebruikstoepassing: beitelfunctie met zijhandgreep

Trillingsemisatie ($a_{h, CHeg}$): 8 m/s²

Onzekerheid (K): 1,5 m/s²

ENG303-2

Gebruikstoepassing: hamerboren in beton

Trillingsemisatie ($a_{h, HD}$): 12,5 m/s²

Onzekerheid (K): 2 m/s²

ENG901-1

- De opgegeven trillingsemisiewaarde is gemeten volgens de standaardtestmethode en kan worden gebruikt om dit gereedschap te vergelijken met andere gereedschappen.
- De opgegeven trillingsemisiewaarde kan ook worden gebruikt voor een beoordeling vooraf van de blootstelling.



WAARSCHUWING:

- De trillingsemisatie tijdens het gebruik van het elektrisch gereedschap in de praktijk kan verschillen van de opgegeven trillingsemisiewaarde afhankelijk van de manier waarop het gereedschap wordt gebruikt.
- Zorg ervoor dat veiligheidsmaatregelen worden getroffen ter bescherming van de operator die zijn gebaseerd op een schatting van de blootstelling onder praktijkomstandigheden (rekening houdend met alle fasen van de bedrijfscyclus, zoals de tijdsduur gedurende welke het gereedschap is uitgeschakeld en stationair draait, naast de ingeschakelde tijdsduur).

Alleen voor Europese landen

ENG101-13

EU-verklaring van conformiteit

Wij, Makita Corporation, als de verantwoordelijke fabrikant, verklaren dat de volgende Makita-machine(s):

Aanduiding van de machine:

Drilboor

Modelnr./Type: HR5201C, HR5210C, HR5211C

in serie is geproduceerd en

Voldoet aan de volgende Europese richtlijnen:

98/37/EC tot en met 28 december 2009 en daarna aan 2006/42/EC vanaf 29 december 2009

En zijn gefabriceerd in overeenstemming met de volgende normen of genormaliseerde documenten: EN60745

De technische documentatie wordt bewaard door onze erkende vertegenwoordiger in Europa, te weten:

Makita International Europe Ltd.,
Michigan Drive, Tongwell,
Milton Keynes, MK15 8JD, Engeland

30 januari 2009

Tomoyasu Kato

Directeur

Makita Corporation
3-11-8, Sumiyoshi-cho
Anjo, Aichi, JAPAN

ESPAÑOL (Instrucciones originales)

Descripción y visión general

- | | | |
|--|----------------------------|------------------------------------|
| 1. Interruptor disparador | 10. Tuerca de fijación | 20. Negro |
| 2. Palanca del interruptor | 11. Mango lateral | 21. Blanco |
| 3. Dial de ajuste | 12. Espiga de la broca | 22. Conector |
| 4. Palanca de cambio | 13. Grasa para brocas | 23. Tornillo |
| 5. Puntero | 14. Broca | 24. Cubierta de la tapa del cárter |
| 6. Botón de bloqueo | 15. Cubierta del mandril | 25. Placa de control |
| 7. Luz indicadora de encendido (verde) | 16. Calibre de profundidad | 26. Destornillador |
| 8. Luz indicadora de servicio (roja) | 17. Tornillo de apriete | 27. Tapa del cárter |
| 9. Empuñadura lateral | 18. Bulbo de extracción | 28. Grasa para martillo |
| | 19. Tornillos | |

ESPECIFICACIONES

Modelo		HR5201C	HR5210C	HR5211C
Capacidades	Broca con punta de carburo	52 mm		
	Broca	160 mm		
Velocidad en vacío (mín ⁻¹)		130 - 260		
Golpes por minuto		1.075 - 2.150		
Longitud total		599 mm		
Peso neto		11,3 kg	12,1 kg	12,2 kg
Clase de seguridad		II/II		

- Debido a nuestro programa continuo de investigación y desarrollo, las especificaciones aquí descritas están sujetas a cambios sin previo aviso.
- Las especificaciones pueden ser diferentes de un país a otro.
- Peso de acuerdo con el procedimiento EPTA 01/2003

Uso previsto

ENE044-1

Esta herramienta está diseñada para perforar con percusión ladrillo, hormigón y piedra, así como para trabajos de cincelado.

Alimentación

ENF002-1

La herramienta debe conectarse solamente a una fuente de alimentación de la misma tensión que la indicada en la placa de características, y sólo puede funcionar con corriente alterna monofásica. El sistema de doble aislamiento de la herramienta cumple con las normas europeas y puede, por lo tanto, usarse también en tomacorrientes sin conductor de tierra.

Advertencias de seguridad generales para herramientas eléctricas

GEA010-1

⚠ ADVERTENCIA Lea todas las advertencias de seguridad y todas las instrucciones. La no observancia de las advertencias y las instrucciones puede provocar descargas eléctricas, incendios y/o lesiones graves.

Guarde todas las advertencias e instrucciones para futuras consultas.

ADVERTENCIAS DE SEGURIDAD DEL MARTILLO ROTATIVO

GEB007-7

1. **Utilice protectores para los oídos.** La exposición al ruido puede producir pérdida auditiva.
2. **Utilice las empuñaduras auxiliares proporcionadas con la herramienta.** La pérdida de control puede ocasionar daños corporales.
3. **Sujete la herramienta eléctrica por las superficies de agarre aisladas al realizar una operación en que el accesorio de corte pueda entrar en contacto con cables ocultos o con su propio cable.** Si entra en contacto con un cable con corriente, puede que las piezas metálicas expuestas de la herramienta eléctrica se carguen también de corriente y que el operario reciba una descarga.
4. **Póngase un casco de seguridad, gafas de seguridad y/o una careta protectora. Las gafas normales o de sol NO son gafas de seguridad. También se recomienda encarecidamente que utilice una mascarilla antipolvo y guantes gruesos acolchados.**
5. **Asegúrese de que la broca esté firmemente sujeta en su lugar antes del uso.**
6. **En condiciones normales de funcionamiento, la herramienta está diseñada de forma que produce vibraciones. Los tornillos pueden aflojarse fácilmente, con lo cual se puede averiar la herramienta o puede producirse un accidente. Compruebe que los tornillos estén bien apretados antes del uso.**

7. Si hace frío o la herramienta no se ha utilizado durante un período prolongado, deje que se caliente la herramienta poniéndola en marcha en vacío. De este modo se facilitará la lubricación. Si no se calienta adecuadamente, se dificultará el martilleo.
8. Asegúrese de encontrarse siempre en una posición bien equilibrada. Si utiliza la herramienta en una ubicación elevada, asegúrese de que nadie se encuentre debajo.
9. Sujete firmemente la herramienta con ambas manos.
10. Mantenga las manos alejadas de las piezas móviles.
11. No deje la herramienta encendida. Póngala en marcha solamente cuando la tenga en las manos.
12. No apunte la herramienta hacia ninguna persona que se encuentre en la zona durante su uso. La barrena podría salir disparada y herir gravemente a alguien.
13. No toque la broca ni las piezas cercanas a ésta inmediatamente después de que hayan estado en funcionamiento; pueden estar extremadamente calientes y producir quemaduras en la piel.
14. Algunos materiales contienen sustancias químicas que pueden ser tóxicas. Procure evitar la inhalación de polvo y el contacto con la piel. Tenga en cuenta los datos de seguridad del proveedor del material.

GUARDE ESTAS INSTRUCCIONES.

ADVERTENCIA:

No deje que la comodidad o la familiaridad con el producto (a base de utilizarlo repetidamente) sustituya la estricta observancia de las normas de seguridad del producto en cuestión. El MAL USO o la no observancia de las normas de seguridad expuestas en este manual de instrucciones pueden ocasionar graves daños corporales.

DESCRIPCIÓN DEL FUNCIONAMIENTO

PRECAUCIÓN:

- Asegúrese siempre de que la herramienta esté apagada y desenchufada antes de intentar realizar cualquier tipo de ajuste o comprobación en ella.

Funcionamiento del interruptor (Fig. 1)

MODELO HR5211C

PRECAUCIÓN:

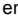

- Antes de enchufar la herramienta, asegúrese siempre de que el interruptor disparador funcione como es debido y de que vuelva a la posición "OFF" (apagado) al soltarlo.

Para poner en marcha la herramienta, simplemente accione el interruptor disparador. Suelte el interruptor disparador para detener la herramienta.

MODELOS HR5210C/HR5201C

Interruptor disparador

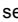
PRECAUCIÓN:

- Antes de enchufar la herramienta, asegúrese siempre de que el interruptor disparador funcione como es debido y de que vuelva a la posición "OFF" (apagado) al soltarlo.
- Este interruptor funciona cuando la herramienta se encuentra ajustada en los modos  y .

Para poner en marcha la herramienta, simplemente accione el interruptor disparador. Suelte el interruptor disparador para detener la herramienta.

Interruptor deslizante

PRECAUCIÓN:

- Antes de enchufar la herramienta, asegúrese de que está desconectada.
- Este interruptor solo funciona cuando la herramienta se encuentra ajustada en el modo .

El interruptor deslizante puede utilizarse cuando la herramienta se usa en el modo de percusión de forma prolongada. Para poner en marcha la herramienta, presione el lado "I (ON)" de la palanca del interruptor. Para detener la herramienta, presione el lado "O (ON)" de la palanca del interruptor. (Fig. 2)

Cambio de velocidad (Fig. 3)

El número de revoluciones y golpes por minuto puede ajustarse girando el dial de regulación. El dial está marcado del 1 (velocidad mínima) al 5 (velocidad máxima).

Consulte la siguiente tabla para obtener información sobre la relación entre los números del dial y el número de revoluciones / golpes por minuto.


Número del dial	Revoluciones por minuto	Golpes por minuto
5	260	2.150
4	240	2.000
3	190	1.600
2	150	1.250
1	130	1.075

PRECAUCIÓN:

- Si la herramienta se utiliza constantemente a baja velocidad durante un tiempo prolongado, el motor se sobrecargará y la herramienta dejará de funcionar correctamente.
- El dial de regulación de la velocidad puede girarse hasta 5 y de vuelta hasta 1 solamente. No lo fuerce más allá de 5 ó 1, o la función de ajuste de velocidad podrá dejar de funcionar.

Selección del modo de acción

Giro con percusión (Fig. 4 y 5)

Para taladrar hormigón, ladrillo, etc. apriete el botón de bloqueo y gire la palanca de cambio hasta que el puntero señale al símbolo . Utilice una broca con punta de carburo de tungsteno.

Sólo percusión

MODELOS HR5201C Y HR5210C (Fig. 6)

Para trabajos de cincelado, desincrustación o demolición, apriete el botón de bloqueo y gire la palanca de cambio hasta que el puntero señale al símbolo ▽. Utilice un puntero, un cortafráo, un cincel de desincrustación, etc.

Para trabajar con percusión de forma prolongada (MODELOS HR5201C Y HR5210C SOLAMENTE) (Fig. 7)

Para trabajos de cincelado, desincrustación o demolición, apriete el botón de bloqueo y gire la palanca de cambio hasta que el puntero señale al símbolo ⊕. Utilice un puntero, un cortafráo, un cincel de desincrustación, etc.

PRECAUCIÓN:

- Cuando se utiliza la herramienta en el modo ⊕ el interruptor disparador deja de funcionar, de forma que solo funciona el interruptor deslizante.

MODELO HR5211C (Fig. 8)

Para trabajos de cincelado, desincrustación o demolición, apriete el botón de bloqueo y gire la palanca de cambio hasta que el puntero señale al símbolo ⊥. Utilice un puntero, un cortafráo, un cincel de desincrustación, etc.

PRECAUCIÓN:

- No gire la palanca de cambio cuando la herramienta esté en marcha con carga ya que, de lo contrario, la herramienta se averiará.
- Para evitar el desgaste prematuro del mecanismo de cambio de modo, asegúrese siempre de que la palanca de cambio queda bien colocada en una de las tres posiciones de modo de acción.

Limitador de par de apriete

El limitador de par de apriete entra en acción cuando se alcanza un cierto nivel de par. El motor se desacoplará del eje de salida. Cuando esto suceda, la broca dejará de girar.

PRECAUCIÓN:

- Desconecte la herramienta tan pronto como actúe el limitador de par de apriete. Ello evitará que la herramienta se desgaste prematuramente.

Luz indicadora (Fig. 9)

La luz indicadora verde de encendido (ON) se enciende cuando se enchufa la herramienta. Si la luz indicadora no se enciende, puede que el cable de la corriente o el controlador estén averiados. Si la luz indicadora está encendida, pero la herramienta no se pone en marcha aunque esté encendida, puede que las escobillas de carbón estén desgastadas o que el controlador, el motor o el interruptor de encendido y apagado estén averiados. Cuando las escobillas están a punto de desgastarse por completo, la luz indicadora de servicio roja se ilumina de forma intermitente para indicar que es necesario revisar la herramienta. Al cabo de aproximadamente 8 horas de servicio, el motor se apagará automáticamente.

MONTAJE

PRECAUCIÓN:

- Asegúrese siempre de que la herramienta esté apagada y desenchufada antes de intentar realizar cualquier trabajo en ella.

Empuñadura lateral (Fig. 10)

PRECAUCIÓN:

- Utilice la empuñadura lateral solo para trabajos de cincelado, desincrustación o demolición. No la utilice para taladrar hormigón, ladrillo, etc. Durante los trabajos de taladrado la herramienta no puede cogerse correctamente si está montada la empuñadura lateral. La empuñadura lateral puede girarse 360° en el plano vertical y fijarse en cualquier posición. También puede fijarse en ocho posiciones hacia delante y atrás en el plano horizontal. Para colocar la empuñadura a la posición deseada, afloje la tuerca de fijación. A continuación vuelva a apretar la tuerca de fijación con firmeza. (Fig. 11)

Mango lateral (Fig. 12)

PRECAUCIÓN:

- Utilice siempre el mango lateral para garantizar la seguridad cuando taladre en hormigón, ladrillos, etc. El mango lateral se puede girar a cualquier lado, lo que posibilita un cómodo agarre de la herramienta en cualquier posición. Afloje el mango lateral girándolo en el sentido contrario a las agujas del reloj, colóquelo en la posición deseada y después apriételo girándolo en el sentido de las agujas del reloj.

Grasa para brocas (accesorio opcional)

En primer lugar, aplique una pequeña cantidad de grasa para brocas (aprox. 0,5 - 1 g) a la cabeza de la espiga de la broca. De este modo se lubrica el mandril, hecho que alarga su vida útil y suaviza su operación.

Instalación o extracción de la barrena (Fig. 13)

Limpie la espiga de la broca y engrásela antes de montarla.

Introduzca la broca en la herramienta. Gírela y empújela hasta que se enclave. (Fig. 14)

Si la broca no entra, extráigala. Desplace la cubierta del mandril un par de veces hacia abajo. Vuelva a introducir la broca. Gírela y empújela hasta que se enclave. Después de la instalación, asegúrese siempre de que la broca está bien sujeta en su lugar; para ello, intente sacarla.

Para extraer la broca, desplace la cubierta del mandril la máximo hacia abajo y tire de la broca hacia fuera.

(Fig. 15)

Ángulo de la broca (cincelado, desincrustación o demolición) (Fig. 16 y 17)

La broca puede fijarse en 16 ángulos diferentes. Para cambiarlo, apriete el botón de bloqueo y coloque la palanca de cambio de forma que el puntero señale al símbolo ⊕.

Gire la broca al ángulo requerido.

Apriete el botón de bloqueo y coloque la palanca de cambio de forma que el puntero señale al símbolo ⊥. Compruebe que la broca ha quedado bien sujeta; para ello, gírela ligeramente. (Fig. 18 y 19)

Calibre de profundidad (Fig. 20)

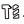
El calibre de profundidad es muy útil para realizar agujeros de profundidad uniforme. Afloje el tornillo de apriete y ajuste el calibre de profundidad en la profundidad deseada. Tras el ajuste, apriete firmemente el tornillo de apriete.

NOTA:

- No se puede usar el calibre de profundidad en la posición en la que golpea contra el alojamiento del engranaje / motor.

MANEJO

Función de perforación con percusión (Fig. 21)

Coloque la palanca de cambio al símbolo .

Coloque la broca en el lugar donde desee practicar el orificio y, a continuación, presione el interruptor disparador. No fuerce la herramienta. Los mejores resultados se obtienen cuando se ejerce una presión suave. Mantenga la herramienta en posición y evite que se desplace fuera del orificio.

No ejerza más presión cuando el orificio se obstruya con restos o partículas de materiales. Pare la herramienta y, a continuación, extraiga la broca parcialmente del orificio. Repita esta operación varias veces hasta que el orificio se limpie y pueda reanudar la perforación.

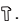
PRECAUCIÓN:

- Cuando la broca empieza a romper el hormigón o cuando entra en contacto con las barras de refuerzo del hormigón la herramienta podría reaccionar peligrosamente. A fin de evitar reacciones peligrosas, colóquese en una posición que le permita mantener bien el equilibrio con los pies bien colocados y sujete la herramienta firmemente con ambas manos.

Bulbo de extracción (accesorio opcional) (Fig. 22)

Tras perforar el orificio, utilice el bulbo de extracción para quitar el polvo y los restos de materiales del orificio.

Cincelado/desincrustación/demolición (Fig. 23)

Coloque la palanca de cambio al símbolo .

Sujete firmemente la herramienta con ambas manos. Encienda la herramienta y aplique una ligera presión sobre ella para evitar que rebote sin control. Apretar demasiado la herramienta no aumenta la eficacia.

MANTENIMIENTO

PRECAUCIÓN:

- Asegúrese siempre de que la herramienta esté apagada y desenchufada antes de intentar realizar cualquier trabajo de inspección o mantenimiento en ella.

Lubricación

PRECAUCIÓN:

- Las intervenciones deben ser realizadas únicamente por un centro autorizado o un centro de servicio técnico de Makita.

Esta herramienta no requiere lubricación por horas ni diaria, porque tiene un sistema de lubricación constante con grasa. Lubrique la herramienta siempre que cambie las escobillas de carbón. (Fig. 24)

Haga funcionar la herramienta durante varios minutos para que se caliente. Apague y desenchufe la herramienta.

Afloje los seis tornillos y extraiga la empuñadura. Tenga en cuenta que los tornillos superiores son diferentes del resto.

Tire de ellos para desconectar el conector. (Fig. 25)

Afloje los tornillos y extraiga la palanca de cambio.

(Fig. 26)

Desmonte la cubierta de la tapa del cárter.

Extraiga la placa de control. (Excepto el modelo

HR5211C.) (Fig. 27)

Afloje los seis tornillos con un destornillador y desmonte la tapa del cárter. Haga descansar la herramienta sobre la mesa con la barrena apuntando hacia arriba. De esta manera la grasa antigua se depositará en el alojamiento del cárter. (Fig. 28)

Limpie la grasa antigua y reemplácela con grasa nueva (60 g). Utilice sólo grasa original Makita para martillos

(accesorio opcional). Si se añade más grasa de la especificada (aprox. 60 g), puede que haya problemas en el martilleo o que se averíe la herramienta. Añada sólo la cantidad especificada de grasa. (Fig. 29)

Vuelva a montar la tapa del cárter y apriétela con el destornillador. Conecte el conector y vuelva a montar la empuñadura. (Fig. 30)

PRECAUCIÓN:

- No apriete en exceso la tapa del cárter. Está fabricada en resina y podría romperse.
- Tenga cuidado de no dañar el conector o los conductores, especialmente al limpiar restos de grasa o al montar la empuñadura.

Para conservar la SEGURIDAD y la FIABILIDAD del producto, los trabajos de reparación y otros trabajos de mantenimiento y ajuste deberán ser realizados en centros de servicio autorizados de Makita, utilizando siempre repuestos Makita.

ACCESORIOS

PRECAUCIÓN:

- Se recomienda el uso de estos accesorios o complementos con la herramienta Makita especificada en este manual. El uso de otros accesorios o complementos puede conllevar el riesgo de ocasionar daños corporales. Utilice los accesorios o complementos solamente para su fin establecido.

Si necesita cualquier ayuda para obtener más información relativa a estos accesorios, pregunte al centro de servicio Makita local.

- Brocas con punta de carburo SDS-Max
- Ranurador
- Pisón
- Adaptador para brocas

- Broca
- Puntero SDS-Max
- Cortafrio SDS-MAX
- Cíncel de desincrustación SDS-MAX
- Cíncel de baldosar SDS-MAX
- Cíncel de ranurar SDS-MAX
- Pala de arcilla SDS-MAX
- Grasa para martillo
- Grasa para brocas
- Empuñadura lateral
- Mango lateral
- Calibre de profundidad
- Bulbo de extracción
- Gafas de seguridad
- Maletín de transporte

ENG303-2

Modo de trabajo: taladrado de percusión en hormigón
Emisión de vibraciones ($a_{h,HD}$): 17 m/s²
Incertidumbre (K): 2 m/s²

Para el modelo HR5211C

Ruido

ENG102-3

Niveles típicos de ruido ponderado A determinados conforme a EN60745:

Nivel de presión de sonido (L_{pA}): 100 dB (A)
Nivel de potencia de sonido (L_{WA}): 111 dB (A)
Incertidumbre (K): 3 dB (A)

Utilice protección para los oídos.

Vibración

ENG216-2

Valor total de la vibración (suma de vectores triaxiales) determinado según el estándar EN60745:

Modo de trabajo: función de desincrustación con empuñadura lateral
Emisión de vibraciones ($a_{h,CHeq}$): 11 m/s²
Incertidumbre (K): 1,5 m/s²

ENG306-1

Modo de trabajo: función de desincrustación con mango lateral
Emisión de vibraciones ($a_{h,CHeq}$): 8 m/s²
Incertidumbre (K): 1,5 m/s²

ENG303-2

Modo de trabajo: taladrado de percusión en hormigón
Emisión de vibraciones ($a_{h,HD}$): 12,5 m/s²
Incertidumbre (K): 2 m/s²

ENG901-1

- El valor de emisión de vibraciones se ha medido de acuerdo con el método de prueba estándar y se puede utilizar para comparar herramientas.
- El valor de emisión de vibraciones declarado también se puede usar en una evaluación preliminar de la exposición.

ADVERTENCIA:

- La emisión de vibraciones durante el uso de la herramienta eléctrica puede diferir del valor de emisiones declarado, dependiendo de las formas en que se utiliza la herramienta.
- Asegúrese de identificar las mediciones correctas para proteger al operario, que se basan en una estimación de la exposición en condiciones de uso reales (teniendo en cuenta todas las partes del ciclo de operaciones, como los momentos en los que la herramienta está apagada y cuando funciona al ralentí además del tiempo en que está activado el interruptor).

Sólo para países europeos

ENH101-13

Declaración de conformidad de la CE
Nosotros, Makita Corporation, en calidad de fabricante responsable, declaramos que las siguientes máquinas Makita:

Designación de la máquina:

Martillo rotativo

Nº de modelo/ Tipo: HR5201C, HR5210C, HR5211C
son de producción serie y

Cumplen con las siguientes Directivas europeas:

98/37/EC hasta el 28 de diciembre de 2009 y después con 2006/42/EC a partir del 29 de diciembre de 2009

Para el modelo HR5201C

Ruido

ENG102-3

Niveles típicos de ruido ponderado A determinados conforme a EN60745:

Nivel de presión de sonido (L_{pA}): 100 dB (A)
Nivel de potencia de sonido (L_{WA}): 111 dB (A)
Incertidumbre (K): 3 dB (A)

Utilice protección para los oídos.

Vibración

ENG216-2

Valor total de la vibración (suma de vectores triaxiales) determinada según el estándar EN60745:

Modo de trabajo: función de desincrustación con empuñadura lateral
Emisión de vibraciones ($a_{h,CHeq}$): 13,5 m/s²
Incertidumbre (K): 1,5 m/s²

ENG306-1

Modo de trabajo: función de desincrustación con mango lateral
Emisión de vibraciones ($a_{h,CHeq}$): 14 m/s²
Incertidumbre (K): 1,5 m/s²

ENG303-2

Modo de trabajo: taladrado de percusión en hormigón
Emisión de vibraciones ($a_{h,HD}$): 19,5 m/s²
Incertidumbre (K): 3 m/s²

Para el modelo HR5210C

Ruido

ENG102-3

Niveles típicos de ruido ponderado A determinados conforme a EN60745:

Nivel de presión de sonido (L_{pA}): 99 dB (A)
Nivel de potencia de sonido (L_{WA}): 110 dB (A)
Incertidumbre (K): 3 dB (A)

Utilice protección para los oídos.

Vibración

ENG216-2

Valor total de la vibración (suma de vectores triaxiales) determinado según el estándar EN60745:

Modo de trabajo: función de desincrustación con empuñadura lateral
Emisión de vibraciones ($a_{h,CHeq}$): 12 m/s²
Incertidumbre (K): 2,5 m/s²

ENG306-1

Modo de trabajo: función de desincrustación con mango lateral
Emisión de vibraciones ($a_{h,CHeq}$): 9,5 m/s²
Incertidumbre (K): 1,5 m/s²

Y se han fabricado de acuerdo con los siguientes
estándares o documentos estandarizados:

EN60745

La documentación técnica la conserva nuestro
representante autorizado en Europa, que es:

Makita International Europe Ltd.,
Michigan, Drive, Tongwell,
Milton Keynes, MK15 8JD, Inglaterra

30 de enero de 2009



Tomoyasu Kato
Director
Makita Corporation
3-11-8, Sumiyoshi-cho,
Anjo, Aichi, JAPAN

PORTUGUÊS (Instruções de origem)

Descrição geral

- | | | |
|---|---------------------------------------|------------------------------------|
| 1. Gatilho | 9. Pega lateral | 20. Preto |
| 2. Alavanca do interruptor | 10. Porca de fixação11. Apoio lateral | 21. Branco |
| 3. Manípulo de ajuste | 12. Haste da broca | 22. Conector |
| 4. Alavanca de comutação | 13. Lubrificador da broca | 23. Parafuso |
| 5. Ponteiro | 14. Broca | 24. Cobertura da tampa da manivela |
| 6. Botão de bloqueio | 15. Tampa do mandril | 25. Placa de controlo |
| 7. Lâmpada de indicação de ligado (verde) | 16. Medidor de profundidade | 26. Chave de parafusos |
| 8. Lâmpada de indicação de serviço (vermelho) | 17. Parafuso de fixação | 27. Tampa da manivela |
| | 18. Fole | 28. Lubrificante para o martelo |
| | 19. Parafusos | |

ESPECIFICAÇÕES

Modelo		HR5201C	HR5210C	HR5211C
Capacidades	Broca com ponta de carbido	52 mm		
	Broca de coroa	160 mm		
Sem velocidade de rotação em carga (mín. ⁻¹)		130 - 260		
Sopros por minuto		1.075 - 2.150		
Comprimento total		599 mm		
Peso líquido		11,3 kg	12,1 kg	12,2 kg
Classe de segurança		II/II		

- Devido à pesquisa e desenvolvimento constantes, estas especificações estão sujeitas a alteração sem aviso prévio.
- Estas especificações podem diferir de país para país.
- Peso de acordo com procedimento EPTA 01/2003

Utilização prevista ENE044-1

Esta ferramenta é para perfuração com martelo e perfuração em tijolo, cimento ou pedra assim como para trabalhos de acabamento.

Fonte de alimentação ENF002-1

A ferramenta apenas deve ser ligada a uma fonte de alimentação da mesma tensão que a indicada na chapa de especificações, e apenas pode funcionar com uma alimentação CA monofásica. Estão blindadas duplamente, de acordo com a Norma Europeia e podem, assim, ser igualmente ligadas a tomadas sem fio terra.

Avisos gerais de segurança para ferramentas eléctricas GEA010-1

⚠ AVISO Leia todos os avisos de segurança e todas as instruções. O não cumprimento dos avisos e instruções pode resultar na ocorrência de choques eléctricos, incêndios e/ou ferimentos graves.

Guarde todos os avisos e instruções para referência futura.

AVISOS DE SEGURANÇA DO MARTELO PERFURADOR GEB007-7

1. Use protecção para os ouvidos. A exposição ao ruído pode provocar a perda de audição.
2. Utilize a(s) pega(s) auxiliar(es) fornecida(s) com a ferramenta. A perda de controlo pode provocar ferimentos pessoais.
3. Quando executar operações em que acessórios de corte possam entrar em contacto com fios eléctricos ocultos ou com próprio cabo eléctrico da ferramenta, tenha o cuidado de tocar apenas nas superfícies isoladas desses acessórios. O acessório de corte em contacto com um fio eléctrico ligado à corrente pode electrificar as peças de metal da ferramenta e provocar um choque.
4. Use um capacete de segurança, óculos de protecção e/ou visor de protecção. Os óculos normais ou óculos de sol NÃO são óculos de segurança. É igualmente recomendável que use uma máscara de pó e luvas forradas grossas.
5. Certifique-se que a broca fixa no lugar antes de a utilizar.
6. Em funcionamento normal, a ferramenta está concebida para produzir vibrações. Os parafusos podem soltar-se facilmente, podendo provocar danos ou um acidente. Verifique se os parafusos estão bem apertados antes de utilizar o aparelho.
7. Em tempo frio ou quando a ferramenta não for usada durante muito tempo, deixe-a aquecer durante um bocado colocando-a em funcionamento sem carga. Isto melhora a lubrificação. Sem um aquecimento correcto, o processo de martelagem pode tornar-se difícil.
8. Procure uma posição em pé estável e firme. Se utilizar a ferramenta em locais altos, verifique se não há ninguém por baixo.
9. Segure a ferramenta com firmeza, com as duas mãos.
10. Afaste as mãos das peças em movimento.

11. Não abandone a ferramenta a funcionar. Ponha-a a funcionar apenas quando estiver a segurá-la.
12. Não aponte a ferramenta a ninguém quando a estiver a utilizar. A broca pode soltar-se e ferir alguém seriamente.
13. Não toque numa broca nem nos seus componentes logo após a operação porque podem estar demasiado quentes.
14. Alguns materiais contêm químicos que podem ser tóxicos. Tenha cuidado para evitar a inalação e o contacto da pele com o pó produzido. Obedeça às instruções de segurança do fornecedor do material.

GUARDE ESTAS INSTRUÇÕES.

AVISO:

NÃO deixe que o progressivo à vontade com o produto (resultante de uma utilização frequente) o faça esquecer o estrito cumprimento das regras de segurança de utilização do produto. A UTILIZAÇÃO INCORRECTA ou o não cumprimento das regras de segurança fornecidas neste manual de instruções podem provocar ferimentos graves.

DESCRIÇÃO DO FUNCIONAMENTO

PRECAUÇÃO:

- Certifique-se sempre de que a ferramenta está desligada no interruptor e da tomada antes de proceder a ajustes ou testes à mesma.

O gatilho/interruptor (Fig. 1)

PARA O MODELO HR5211C

PRECAUÇÃO:


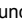
- Antes de inserir a ficha da ferramenta na tomada, verifique se o gatilho está a funcionar correctamente e se volta à posição "OFF" quando o solta.

Para colocar a ferramenta em funcionamento prima o gatilho. Para parar a ferramenta, solte o gatilho.

PARA OS MODELOS HR5210C/HR5201C

Gatilho


PRECAUÇÃO:

- Antes de inserir a ficha da ferramenta na tomada, verifique se o gatilho está a funcionar correctamente e se volta à posição "OFF" quando o solta.
- Este interruptor funciona quando ajusta a ferramenta para os modos símbolos  e .

Para colocar a ferramenta em funcionamento prima o gatilho. Para parar a ferramenta, solte o gatilho.

Interruptor deslizante

PRECAUÇÃO:

- Antes de inserir a ficha da ferramenta na tomada, nunca se esqueça de verificar se a ferramenta está desligada.
- Este interruptor funciona só quando ajusta a ferramenta para o modo de símbolo de acção .

Quando usa a ferramenta no modo martelo por um período de tempo longo, o interruptor deslizante está disponível. Para ligar a ferramenta, carregue no lado "I

(ON)" da alavanca do interruptor. Para desligar a ferramenta, carregue no lado "O (OFF)" da alavanca do interruptor. (Fig. 2)

Alteração da velocidade (Fig. 3)

As rotações e sopros por minuto podem ser ajustadas rodando o manípulo de ajuste. O manípulo está marcado de 1 (velocidade mínima) a 5 (velocidade máxima). Consulte a tabela em baixo para a verificar a relação entre a definição dos números no manípulo de regulação e as rotações/sopros por minuto.

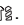
Número no manípulo de ajuste	Rotações por minuto	Sopros por minuto
5	260	2.150
4	240	2.000
3	190	1.600
2	150	1.250
1	130	1.075

PRECAUÇÃO:

- Se a ferramenta fica em funcionamento contínuo a velocidades baixas por muito tempo, o motor fica sobrecarregado causando avaria no equipamento.
- O manípulo de regulação da velocidade apenas pode ser rodado até 5 ou 1. Não o force para lá de 5 ou 1, caso contrário a função de regulação da velocidade poderá deixar de funcionar.

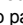
Seleccionar o modo de funcionamento

Rotação com martelo (Fig. 4 e 5)

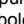
Para perfurar em cimento, pedra, etc., prima o botão de bloqueio e rode o manípulo de mudança do modo de funcionamento para o símbolo . Utilize uma broca com ponta de carboneto de tungsténio.

Apenas martelo

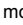
PARA O MODELO HR5201C E HR5210C (Fig. 6)

Para desbastar, desencrostar ou demolir, prima o botão de bloqueio e rode o manípulo de mudança do modo de funcionamento para o símbolo . Utilize uma ponta de cinzel, buril, cinzel de desbaste, etc.


Para longos períodos de tempo em martelo (PARA OS MODELOS HR5201C E HR5210C APENAS) (Fig. 7)

Para desbastar, desencrostar ou demolir, prima o botão de bloqueio e rode o manípulo de mudança do modo de funcionamento para o símbolo . Utilize uma ponta de cinzel, buril, cinzel de desbaste, etc.

PRECAUÇÃO:

- Quando utiliza a ferramenta no  modo símbolo, o gatilho não funciona; apenas funciona o interruptor deslizante.

PARA O MODELO HR5211C (Fig. 8)

Para desbastar, desencrostar ou demolir, prima o botão de bloqueio e rode o manípulo de mudança do modo de funcionamento para o símbolo . Utilize uma ponta de cinzel, buril, cinzel de desbaste, etc.

PRECAUÇÃO:

- Não rode o manípulo de mudança quando a ferramenta está em funcionamento sobre carga. Pode avariar a ferramenta.

- Para evitar uma rápida deterioração no mecanismo de mudança de modo, certifique-se de que o manípulo de mudança do modo de funcionamento está sempre correctamente posicionado numa das três posições do modo de funcionamento.

Limitador de binário

O limitador de binário actua quando um denominado nível de binário é atingido. O motor desengata do veio de saída. Quando isto acontecer, a broca pára de girar.

PRECAUÇÃO:

- Assim que o limitador de binário actuar, desligue a ferramenta imediatamente. Isto ajuda a evitar uma deterioração prematura da ferramenta.

Lâmpada indicadora (Fig. 9)

A lâmpada indicadora verde de alimentação ligada, acende-se quando a ferramenta é ligada à tomada. Se a lâmpada indicadora não se acender, o cabo de alimentação ou a lâmpada indicadora podem estar avariados. Se a lâmpada indicadora se acender mas a ferramenta não se iniciar, mesmo que a ferramenta seja ligada, as escovas de carvão poderão estar gastas ou o motor ou interruptor podem estar avariados.

A lâmpada vermelha indicadora de serviço pisca quando as escovas de carvão estão quase gastas, para indicar que a ferramenta precisa de manutenção. Depois de aproximadamente 8 horas de uso, o motor desliga-se automaticamente.

MONTAGEM

PRECAUÇÃO:

- Certifique-se sempre de que a ferramenta está desligada no interruptor e da tomada antes de efectuar qualquer trabalho na mesma.

Pega lateral (Fig. 10)

PRECAUÇÃO:

- Use a pega lateral apenas quando desbastar, desencrostar ou demolir. Não a use quando perfurar em cimento, pedra, etc. A ferramenta não pode ser segura correctamente com esta pega lateral quando faz perfuração.

A pega lateral pode ser movimentada a 360° na vertical e assegurar qualquer posição desejada. Também assegura oito posições diferentes para a frente e para trás na horizontal. Solte a porca de fixação para movimentar a pega lateral para a posição que pretender. Depois aperte a porca de fixação com segurança. (Fig. 11)

Apoio lateral (Fig. 12)

PRECAUÇÃO:

- Use sempre o apoio lateral para assegurar uma operação segura quando perfurar em cimento, pedra, etc.

O apoio lateral move-se para o outro lado, permitindo um fácil manuseamento da ferramenta em qualquer posição. Solte a pega lateral rodando-a no sentido contrário aos ponteiros do relógio, mova-a para a posição desejada e depois aperte-a rodando-a no sentido dos ponteiros do relógio

Lubrificante para brocas (acessório opcional)

Revista previamente a cabeça da haste da broca com uma pequena dose de lubrificante (cerca de 0,5 - 1 g). A lubrificação do mandril assegura um funcionamento suave e uma maior duração.

Instalar ou retirar a broca (Fig. 13)

Limpe a haste da broca e aplique lubrificante na broca antes de a instalar.

Introduza a broca na ferramenta. Gire a broca e empurre-a até encaixar. (Fig. 14)


Se não a conseguir empurrar, retire-a. Puxe a tampa do mandril para baixo várias vezes. E introduza a broca novamente. Gire a broca e empurre-a até encaixar.

Após instalar, certifique-se sempre de que a broca está bem fixa, tentando puxá-la para fora.


Para retirar a broca, puxe a a tampa do mandril para baixo completamente e retire a broca. (Fig. 15)

Ângulo da broca (quando desbastar, desencrostar ou demolir) (Fig. 16 e 17)

A broca pode ser encaixada em 16 ângulos diferentes.

Para alterar o ângulo da broca, prima o botão de bloqueio e rode o manípulo de mudança do modo de funcionamento para o símbolo .

Rode a broca para o ângulo desejado.

Prima o botão de bloqueio e rode o manípulo de mudança até apontar para o símbolo . Certifique-se de que a broca está bem encaixada girando-a ligeiramente.

(Fig. 18 e 19)

Medidor de profundidade (Fig. 20)


O medidor de profundidade é conveniente para perfurar buracos de profundidade uniforme. Solte a porca de fixação e ajuste o medidor de profundidade para a profundidade desejada. Após o ajuste, aperte a porca de fixação firmemente.

NOTA:

- O medidor de profundidade não pode ser usado na posição em que o medidor de profundidade fique contra o compartimento de velocidade/compartimento do motor.

FUNCIONAMENTO

Função de perfuração com martelo (Fig. 21)

Ajuste o manípulo de mudança para o símbolo .

Posicione a broca no ponto onde deseja efectuar a perfuração e prima o gatilho. Não force a ferramenta. Se aplicar uma leve pressão obterá melhores resultados. Concentre-se em manter a ferramenta na posição correcta e não deixar que a broca saia do orifício.

Não aplique mais pressão quando o orifício começar a ficar entupido com partículas do material perfurado. Em vez disso, coloque a ferramenta em compasso de espera e retire parcialmente a broca do orifício. Repetindo este processo várias vezes, manterá o orifício limpo e uma perfuração normal.

PRECAUÇÃO:

- Quando a broca começa a perfurar betão ou se a broca fulminar com muita força contra o cimento, a ferramenta pode tornar-se perigosa. Mantenha um bom equilíbrio com os pés firmes e em segurança enquanto segura a ferramenta firmemente com as duas mãos para evitar situações perigosas.

Fole (acessório opcional) (Fig. 22)

Depois de perfurado o orifício, utilize o fole para retirar o entulho e partículas.

Desbastar/Desencrostar/Demolir (Fig. 23)

Ajuste o manípulo de mudança para o símbolo ∇ . Segure a ferramenta com firmeza, com as duas mãos. Ligue a ferramenta e aplique uma ligeira pressão na ferramenta, de forma a que a ferramenta não salte descontrolada. Premir a ferramenta com muita força não aumentará a eficiência.

MANUTENÇÃO

PRECAUÇÃO:

- Certifique-se sempre de que a ferramenta está desligada no interruptor e da tomada antes de inspeccionar ou fazer a manutenção da ferramenta.

Lubrificação

PRECAUÇÃO:

- Este service deve ser realizado apenas pela Makita Authorized ou Factory Service Centers. Esta ferramenta não necessita de lubrificação constante ou diária pois tem um sistema de lubrificação integrado. Lubrifique a ferramenta sempre que as escovas de carvão são substituídas. (Fig. 24) Ligue a ferramenta durante alguns minutos para a aquecer. Desligar a ferramenta e retirar o cabo da tomada. Solte os seis parafusos e remova a pega. Tenha em conta que os parafusos do topo são diferentes dos outros. Desligue o conector puxando-o. (Fig. 25) Solte os parafusos e remova o manípulo de mudança. (Fig. 26) Remova a cobertura da tampa da manivela. Remova a placa de controlo. (Excepto para o modelo HR5211C.) (Fig. 27) Solte os seis parafusos com uma chave de parafusos e remova a tampa da manivela. Pouse a ferramenta na mesa com a broca apontada para cima. Isto permite que o lubrificante antigo se acumule dentro do compartimento da manivela. (Fig. 28) Limpe o lubrificante antigo no interior e substitua-o por lubrificante novo (60 g). Use apenas lubrificante genuíno para martelos Makita (acessório opcional). Se encher com mais do que a quantidade de lubrificante especificada (aprox. 60 g) pode danificar o funcionamento do martelo ou da ferramenta. Encha apenas com a quantidade de lubrificante especificada. (Fig. 29) Reinstale a tampa da manivela e aperte-a com a chave de parafusos. Ligue o conector e reinstale a pega. (Fig. 30)

PRECAUÇÃO:

- Não aperte demasiado a tampa da manivela. É feito de resina e está sujeito a ruptura.
- Tenha cuidado para não danificar o conector ou os fios, principalmente quando retirar o lubrificante velho ou instalar a pega.

Para manter os níveis de SEGURANÇA e FIABILIDADE definidos para este produto, reparações, operações de manutenção ou ajustes devem ser executados por centros de assistência Makita autorizados e, no caso de substituição de peças, estas devem ser igualmente Makita.

ACESSÓRIOS

PRECAUÇÃO:

- Os seguintes acessórios ou extensões são os recomendados para utilizar com a ferramenta Makita especificada neste manual. A utilização de outros acessórios ou extensões podem provocar ferimentos. Utilize cada acessório ou extensão apenas para o fim indicado.

Se precisar de informações adicionais relativas aos acessórios, contacte o centro local de assistência Makita.

- Brocas com ponta de carboneto SDS-Max
- Ferramenta de casquilho
- Compressor
- Adaptador de broca de coroa
- Broca de coroa
- Ponta de cinzel SDS-Max
- Buriil SDS-MAX
- Cinzel de desbaste SDS-MAX
- Cinzel de telha SDS-MAX
- Cinzel de entrihar SDS-MAX
- Pá de barro SDS-MAX
- Lubrificante para o martelo
- Lubrificante para brocas
- Pega lateral
- Apoio lateral
- Medidor de profundidade
- Fole
- Óculos protectores
- Mala de transporte

Para o modelo HR5201C

Ruído

ENG102-3

Os níveis acústicos ponderados A típicos foram determinados segundo a EN60745:

- Nível de pressão sonora ($L_{p(A)}$): 100 dB (A)
- Nível de potência sonora (L_{WA}): 111 dB (A)
- Imprecisão (K): 3 dB (A)

Use protecção para os ouvidos.

Vibração

ENG216-2

O valor total da vibração (soma triaxial de vectores) foi determinado segundo a EN60745:

- Modo de trabalho: função esculpir com a pega lateral
- Emissão de vibração ($a_{h,CHeq}$): 13,5 m/s²
- Imprecisão (K): 1,5 m/s²

ENG306-1

- Modo de trabalho: função esculpir com o apoio lateral
- Emissão de vibração ($a_{h,CHeq}$): 14 m/s²
- Imprecisão (K): 1,5 m/s²

ENG303-2

Modo de trabalho: martelagem de percussão em cimento
Emissão de vibração ($a_{h,HD}$): 19,5 m/s²
Imprecisão (K): 3 m/s²

Para o modelo HR5210C

Ruído

ENG102-3

Os níveis acústicos ponderados A típicos foram determinados segundo a EN60745:

Nível de pressão sonora (L_{pA}): 99 dB (A)
Nível de potência sonora (L_{WA}): 110 dB (A)
Imprecisão (K): 3 dB (A)

Use protecção para os ouvidos.

Vibração

ENG216-2

O valor total da vibração (soma triaxial de vectores) foi determinado segundo a EN60745:

Modo de trabalho: função esculpir com a pega lateral
Emissão de vibração ($a_{h,CHeq}$): 12 m/s²
Imprecisão (K): 2,5 m/s²

ENG306-1

Modo de trabalho: função esculpir com o apoio lateral
Emissão de vibração ($a_{h,CHeq}$): 9,5 m/s²
Imprecisão (K): 1,5 m/s²

ENG303-2

Modo de trabalho: martelagem de percussão em cimento
Emissão de vibração ($a_{h,HD}$): 17 m/s²
Imprecisão (K): 2 m/s²

Para o modelo HR5211C

Ruído

ENG102-3

Os níveis acústicos ponderados A típicos foram determinados segundo a EN60745:

Nível de pressão sonora (L_{pA}): 100 dB (A)
Nível de potência sonora (L_{WA}): 111 dB (A)
Imprecisão (K): 3 dB (A)

Use protecção para os ouvidos.

Vibração

ENG216-2

O valor total da vibração (soma triaxial de vectores) foi determinado segundo a EN60745:

Modo de trabalho: função esculpir com a pega lateral
Emissão de vibração ($a_{h,CHeq}$): 11 m/s²
Imprecisão (K): 1,5 m/s²

ENG306-1

Modo de trabalho: função esculpir com o apoio lateral
Emissão de vibração ($a_{h,CHeq}$): 8 m/s²
Imprecisão (K): 1,5 m/s²

ENG303-2

Modo de trabalho: martelagem de percussão em cimento
Emissão de vibração ($a_{h,HD}$): 12,5 m/s²
Imprecisão (K): 2 m/s²

ENG901-1

- O valor da emissão de vibração declarado foi medido de acordo com o método de teste padrão e pode ser utilizado para comparar uma ferramenta com outra.
- O valor da emissão de vibração declarado pode também ser utilizado numa avaliação preliminar de exposição.

AVISO:

- A emissão de vibração durante a utilização real da ferramenta eléctrica pode ser diferente do valor de

emissão declarado, dependendo da forma como a ferramenta é utilizada.

- Certifique-se de que identifica medidas de segurança, para proteger o operador, que são baseadas numa estimativa de exposição nas condições reais de utilização (tendo em conta todas as partes do ciclo de funcionamento, como as vezes que a ferramenta é desligada e quando está a trabalhar ao ralenti, além do tempo de utilização).

Apêndice para os países europeus

ENH101-13

Declaração de conformidade CE

A Makita Corporation, na qualidade do fabricante responsável, declara que a(s) máquina(s) Makita seguinte(s):

Designação da máquina:

Martelo rotativo

N.º de modelo/Tipo: HR5201C, HR5210C, HR5211C
são produzidas em série e

estão em conformidade com as Directivas Europeias seguintes:

98/37/EC até 28 de Dezembro de 2009 e, de seguida, com a 2006/42/EC a partir de 29 de Dezembro de 2009

E são fabricadas de acordo com as normas ou os documentos padronizados seguintes:

EN60745

A documentação técnica é mantida pelo nosso representante autorizado na Europa, que é:

Makita International Europe Ltd.,
Michigan, Drive, Tongwell,
Milton Keynes, MK15 8JD, Inglaterra

30 de Janeiro de 2009



Tomoyasu Kato
Director

Makita Corporation
3-11-8, Sumiyoshi-cho
Anjo, Aichi, JAPAN

DANSK (Originalvejledning)

Forklaring til generel oversigt

- | | | |
|-------------------------------------|------------------------|--------------------|
| 1. Kontakthåndtag | 11. Sidegreb | 21. Hvid |
| 2. Drejeknap til justering | 12. Værktøjsskaft | 22. Stik |
| 3. Skiftearm | 13. Smørelse til spids | 23. Skrue |
| 4. Pil | 14. Spids | 24. Krumtapdæksel |
| 5. Låseknap | 15. Værktøjsholder | 25. Kontrolplade |
| 6. Indikatorlampe for strøm (grøn) | 16. Dybdemåler | 26. Skruetrækker |
| 7. Indikatorlampe for service (rød) | 17. Tilspændingsskrue | 27. Krumtaphætte |
| 8. Sidehåndtag | 18. Udblæsningskolbe | 28. Hammerfedtstof |
| 9. Tilspændingsmøtrik | 19. Skruer | |
| 10. Kontakthåndtag | 20. Sort | |

SPECIFIKATIONER

Model		HR5201C	HR5210C	HR5211C
Kapaciteter	Karbidforstærket spids	52 mm		
	Kernebor	160 mm		
Hastighed uden belastning (min ⁻¹)		130 – 260		
Slag pr. minut		1.075 – 2.150		
Længde i alt		599 mm		
Nettovægt		11,3 kg	12,1 kg	12,2 kg
Sikkerhedsklasse		II/II		

- På grund af vores løbende forsknings- og udviklingsprogram kan specifikationerne heri ændres uden forudgående varsel.
- Specifikationerne kan variere fra land til land.
- Vægt i henhold til EPTA-Procedure 01/2003

Tilsigtet brug

ENE044-1

Den tilsigtede brug af dette værktøj er slagboring i mursten, beton og sten samt mejslingsarbejde.

Strømforsyning

ENF002-1

Værktøjet bør kun slutes til en strømforsyning med den spænding, der er angivet på navnepladen, og det kan kun benyttes med enkeltfaset vekselstrøm. Det er dobbelt isoleret i overensstemmelse med europæisk standard og kan derfor også slutes til stikkontakter uden jordforbindelse.

Generelle sikkerhedsadvarsler for maskiner

GEA010-1

⚠ ADVARSEL Læs alle sikkerhedsadvarsler og alle instruktioner. Hvis De ikke følger alle advarsler og instruktioner, kan det medføre elektrisk stød, brand og/eller alvorlig personskade.

Gem alle advarsler og instruktioner til senere reference.

SIKERHEDSADVARSLER FOR BRUG AF BOREHAMMER

GEB007-7

1. **Bær høreværn.** Udsættelse for støj kan medføre høreskader.
2. **Benyt de ekstra håndtag, der eventuelt leveres med værktøjet.** Hvis du mister kontrollen, kan du komme til skade.

3. **Hold maskinen på de isolerede gribeblader, når du udfører arbejde, hvor det skærende tilbehør kan komme i kontakt med skjulte ledninger eller maskinens egen ledning.** Hvis det skærende tilbehør kommer i kontakt med en strømførende ledning, kan udsatte metaldele på maskinen blive strømførende, hvorved operatøren kan få elektrisk stød.
4. **Bær hård hovedbeklædning (sikkerhedshjelm), beskyttelsesbriller og/eller ansigtsmaske.** Almindelige briller eller solbriller er IKKE beskyttelsesbriller. Det anbefales desuden kraftigt at bære støvmaske og kraftigt polstrede handsker.
5. **Kontroller, at spidsen sidder godt fast før brug.**
6. **Værktøjet er designet til at forårsage vibration ved normal brug.** Skruer kan nemt løse sig og medføre et nedbrud eller en ulykke. Kontroller, at skrueene sidder stramt før brugen.
7. **Under kolde forhold, eller når værktøjet ikke har været anvendt i længere tid, skal De lade værktøjet varme op et stykke tid ved at lade det køre uden belastning.** Derved løses smøremidlet. Uden korrekt opvarmning kan betjening af hammeren være vanskelig.
8. **Sørg altid for at have et solidt fodfæste.** Sørg for, at der ikke er nogen under Dem, når De bruger værktøjet på højtliggende steder.
9. **Hold godt fast i værktøjet med begge hænder.**
10. **Hold hænderne på afstand af bevægelige dele.**
11. **Læg ikke værktøjet fra Dem, mens det kører.** Lad kun værktøjet køre, mens De holder det i hænderne.

12. **Ret ikke værktøjet mod personer i nærheden, mens det kører. Spidsen kan flyve ud og forårsage alvorlig personskade.**
13. **Bører ikke spidsen eller dele i nærheden af spidsen umiddelbart efter brugen. De kan være meget varme og kan forårsage forbrændinger af huden.**
14. **Nogle materialer indeholder kemikalier, som kan være giftige. Undgå at indånde støv eller at få det på huden. Følg sikkerhedsinstruktionerne fra leverandøren af materialerne.**

GEM DISSE INSTRUKTIONER.

ADVARSEL:

LAD IKKE tryghed eller kendskab til produktet (fra gentagen brug) føre til, at du ikke strengt overholder sikkerhedsreglerne for det gældende produkt.

MISBRUG eller manglende overholdelse af sikkerhedsreglerne i denne brugsanvisning kan medføre alvorlig personskade.

FUNKTIONSBESKRIVELSE

FORSIGTIG:

- Sørg altid for, at værktøjet er slukket, og at stikket er taget ud af stikkontakten, før De justerer værktøjet eller kontrollerer dets funktion.

Betjening af kontakt (Fig. 1)

FOR MODEL HR5211C

FORSIGTIG:



- Før værktøjet tilsluttes, skal De altid kontrollere, at kontaktgrebet reagerer korrekt og vender tilbage til "OFF"-stillingen, når De slipper det.

For at starte værktøjet skal De blot trykke på kontaktgrebet. Slip kontaktgrebet for at stoppe.

FOR MODELLERNE HR5210C/HR5201C

Udløserkontakt


FORSIGTIG:

- Før værktøjet tilsluttes, skal De altid kontrollere, at kontaktgrebet reagerer korrekt og vender tilbage til "OFF"-stillingen, når De slipper det.
- Kontakten fungerer, når værktøjet sættes i tilstandene angivet ved mærket  og mærket .

For at starte værktøjet skal De blot trykke på kontaktgrebet. Slip kontaktgrebet for at stoppe.

Glidekontakt

FORSIGTIG:

- Kontroller altid, at der er slukket for værktøjet, før det slutes til stikkontakten.
- Kontakten fungerer, når værktøjet sættes i tilstanden angivet ved mærket .

Glidekontakten er tilgængelig, når værktøjet anvendes i hammerstilstand i længere tid ad gangen. Tryk på "I (ON)"-siden af kontakthåndtaget for at starte værktøjet. Tryk på "O (OFF)"-siden af kontaktgrebet for at stoppe værktøjet. (Fig. 2)

Ændring af hastigheden (Fig. 3)

Omdrejningstallet og antallet af slag pr. minut kan ændres ved at dreje på drejeknappen. Drejeknappen har mærker fra 1 (laveste hastighed) til 5 (fuld hastighed).

Se i tabellen nedenfor for sammenhængen mellem talindstillingerne på drejeknappen og antallet af omdrejninger/slag pr. minut.


Nummer på drejeknappen	Omdrejninger pr. minut	Slag pr. minut
5	260	2.150
4	240	2.000
3	190	1.600
2	150	1.250
1	130	1.075

FORSIGTIG:

- Hvis værktøjet anvendes i længere tid ved lav hastighed, bliver motoren overbelastet, og værktøjet kan gå i stykker.
- Drejeknappen til hastighedsjustering kan kun drejes op til 5 og tilbage til 1. Prøv ikke at tvinge den forbi 5 eller 1, da hastighedsjusteringen ellers kan gå i stykker.

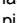
Valg af funktionstilstand

Rotation med slag (Fig. 4 og 5)

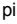
Ved boring i beton, murværk osv. skal låseknappen trykkes ned, og skiftearmen skal drejes, så pilen peger på -mærket. Brug en bit med wolframkarbidforstærkning.

Kun slag


FOR MODEL HR5201C OG HR5210C (Fig. 6)

Ved mejsling, afbankning eller nedrivning skal låseknappen trykkes ned, og skiftearmen skal drejes, så pilen peger på -mærket. Brug en spidshammer, koldmejsel, afbankningsmejsel osv.


Ved længerevarende brug med slag (KUN MODELLERNE HR5201C OG HR5210C) (Fig. 7)

Ved mejsling, afbankning eller nedrivning skal låseknappen trykkes ned, og skiftearmen skal drejes, så pilen peger på -mærket. Brug en spidshammer, koldmejsel, afbankningsmejsel osv.

FORSIGTIG:

- Når værktøjet bruges i -tilstanden, fungerer kontaktgrebet ikke, og kun glidekontakten virker.

FOR MODEL HR5211C (Fig. 8)

Ved mejsling, afbankning eller nedrivning skal låseknappen trykkes ned, og skiftearmen skal drejes, så pilen peger på -mærket. Brug en spidshammer, koldmejsel, afbankningsmejsel osv.

FORSIGTIG:

- Undlad at dreje skiftearmen, mens værktøjet kører under belastning. Dette vil beskadige værktøjet.
- For at undgå hurtigt slid på mekanismen til funktionsskift skal De sikre Dem, at skiftearmen altid er sikkert placeret i en af de to eller tre funktionspositioner.

Skridkoblingen

Skridkoblingen vil udløses, når et vist momentniveau nås. Motoren vil koble fra drivakslen. Når dette sker, holder spidsen op med at dreje rundt.

FORSIGTIG:

- Så snart skridkoblingen udløses, skal værktøjet slukkes med det samme. Dette vil hjælpe med til at forhindre, at værktøjet nedslides for tidligt.

Indikatorlampe (Fig. 9)

Den grønne indikatorlampe for strøm lyser, når værktøjet er sat i stikkontakten. Hvis indikatorlampen ikke tændes, er netledningen eller kontrollen muligvis defekt. Hvis indikatorlampen lyser, men værktøjet ikke tændes, selvom der er tændt for værktøjet, er kulbørsterne muligvis slidt ned, eller motoren eller kontakten kan være defekte.

Den røde indikatorlampe for service blinker, når kulbørsterne er ved at være slidt ned, for at angive, at der skal udføres service på værktøjet. Der slukkes automatisk for motoren efter cirka 8 timers brug.

MONTERING

FORSIGTIG:

- Sørg altid for, at værktøjet er slukket og taget ud af stikkontakten, før De udfører nogen form for arbejde på værktøjet.

Sidehåndtag (Fig. 10)

FORSIGTIG:

- Brug kun sidehåndtaget ved mejsling, afbankning eller nedrivning. Undlad at bruge det ved boring i beton, murværk osv. Værktøjet kan ikke holdes korrekt med dette sidehåndtag ved boring.

Sidehåndtaget kan drejes 360° om den lodrette akse og fastgøres i den ønskede position. Det kan også fastgøres i otte forskellige positioner bagud og fremad om den vandrette akse. Løsn tilspændingsmøtrikken for at dreje sidehåndtaget til den ønskede position. Stram derefter tilspændingsmøtrikken godt. (Fig. 11)

Sidegreb (Fig. 12)

FORSIGTIG:

- Brug altid sidegrebet til at sikre betjeningsikkerheden ved boring i beton, murværk osv.

Sidegrebet kan svinges til begge sider, så det er let at betjene værktøjet i enhver stilling. Løsn sidegrebet ved at dreje det mod uret, vende det til den ønskede position og derefter stramme det ved at dreje det med uret.

Smørelse til spids (fås som tilbehør)

Indsmør halsen på boret med en lille smule fedtstof (cirka 0,5 - 1 g). Denne smøring af patronen sikrer en jævn betjening og længere holdbarhed.

Montering eller afmontering af spidsen (Fig. 13)

Rengør værktøjsskaffet, og smør fedtstof på det, før spidsen monteres.

Sæt spidsen i værktøjet. Drej spidsen, og tryk den ind, indtil den går i indgreb. (Fig. 14)

Hvis spidsen ikke kan trykkes ind, skal den tages ud. Træk patrondækslet ned et antal gange. Sæt derefter spidsen i igen. Drej spidsen, og tryk den ind, indtil den går i indgreb.

Efter montering skal De altid sikre Dem, at spidsen sidder godt fast, ved at forsøge at trække den ud.

For at tage spidsen ud skal patrondækslet trækkes helt ned, hvorefter spidsen fjernes. (Fig. 15)

Vinkel på spids (under mejsling, afbankning eller nedrivning) (Fig. 16 og 17)

Spidsen kan fastgøres i 16 forskellige vinkler. For at ændre vinklen på spidsen skal De trykke låseknappen ned og dreje skiftearmen, så pilen peger mod ☸-mærket. Drej spidsen til den ønskede vinkel.

Tryk låseknappen ned, og drej skiftearmen, så pilen peger mod ☸-mærket. Sørg derefter for, at spidsen holdes sikkert på plads, ved at dreje den en smule. (Fig. 18 og 19)

Dybdemåler (Fig. 20)

Dybdemåleren kan bruges til at bore huller, som har samme dybde. Løsn tilspændingsskruen, og juster dybdemåleren til den ønskede dybde. Stram skruen godt fast efter justeringen.

BEMÆRK:

- Dybdemåleren kan ikke bruges i den position, hvor dybdemåleren rammer gearhuset/motorhuset.

BETJENING

Betjening ved slagboring (Fig. 21)

Indstil skiftearmen ved ☸-mærket.

Placer spidsen på det sted, hvor hullet skal bores, og træk i kontaktgrebet. Brug ikke magt på værktøjet. Et let tryk giver det bedste resultat. Hold værktøjet på positionen, og undgå, at det glider væk fra hullet.

Anvend ikke mere tryk, når hullet bliver tilstoppet med spåner eller partikler. Lad i stedet værktøjet køre i tomgang, og tag spidsen delvist ud af hullet. Når De gentager denne fremgangsmåde flere gange, tømmes hullet, og De kan fortsætte med at bore.

FORSIGTIG:

- Når spidsen begynder at bryde gennem beton, eller hvis spidsen rammer armeringsjern i beton, kan værktøjet reagere på en farlig måde. Bevar en god balance og godt fodfæste, og hold godt fast i værktøjet med begge hænder for at forhindre farlige reaktioner.

Udblæsningskolbe (fås som tilbehør)

(Fig. 22)

Når hullet er boret, kan De bruge udblæsningskolben til at fjerne støv fra hullet.

Mejsling/afbankning/nedrivning (Fig. 23)

Indstil skiftearmen ved ☸-mærket.

Hold godt fast i værktøjet med begge hænder. Tænd for værktøjet, og tryk let på værktøjet, så det ikke kommer ud af kontrol. Effektiviteten forøges ikke ved at trykke meget hårdt på værktøjet.

VEDLIGEHOJDELSE

FORSIGTIG:

- Sørq altid for, at værktøjet er slukket, og at stikket er taget ud, før De forsøger at udføre inspektion eller vedligeholdelse.

Smøring

FORSIGTIG:

- Denne service bør kun udføres af et autoriseret Makita-servicecenter eller på fabrikken.

Værktøjet kræver ikke smøring hver time eller hver dag, da det har et indbygget smøringssystem. Smør værktøjet, hver gang kulbørsterne udskiftes. (Fig. 24)

Lad værktøjet køre i flere minutter for at varme det op.

Sluk for værktøjet, og tag det ud af forbindelse.

Løsn de seks skruer, og tag håndtaget af. Bemærk, at de øverste skruer er anderledes end de øvrige skruer.

Tag stikket ud ved at trække i det. (Fig. 25)

Løsn skrueene, og tag skiftearmen af. (Fig. 26)

Fjern krumtaphæksen.

Fjern kontrolpladen. (Undtagen på model HR5211C.)

(Fig. 27)

Løsn de seks skruer med en skrueetrækker, og fjern krumtaphætten. Placer værktøjet på bordet med spidsen opad. Derved samles gammelt smøremiddel inde i krumtaphuset. (Fig. 28)

Tør det gamle smøremiddel i huset bort, og udskift med frisk smøremiddel (60 g). Brug kun ægte Makita-hammerfedtstof (fås som tilbehør). Hvis der påfyldes mere end den angivne mængde fedtstof (cirka 60 g), kan det medføre forkert hammerfunktion, eller at værktøjet slet ikke fungerer. Påfyld kun den angivne mængde fedtstof. (Fig. 29)

Monter krumtaphætten igen, og stram med skrueetrækkeren. Sæt stikket i, og monter håndtaget igen. (Fig. 30)

FORSIGTIG:

- Stram ikke krumtaphætten for meget. Det er lavet af harpiks og kan gå i stykker.
- Pas på ikke at beskadige stikket eller ledningerne, især når De tørrer det gamle fedtstof bort eller monterer håndtaget.

For at holde produktet SIKKERT og PÅLIDELIGT skal reparationer samt al anden vedligeholdelse eller justering udføres af autoriserede Makita-servicecentre, og der skal altid benyttes Makita-reservedele.

TILBEHØR

FORSIGTIG:

- Dette tilbehør eller ekstraudstyr anbefales til brug med det Makita-værktøj, som er beskrevet i denne brugsanvisning. Brug af andet tilbehør eller ekstraudstyr kan forårsage personskade. Brug kun tilbehør eller ekstraudstyr til det formål, det er beregnet til.

Henvend Dem til Deres lokale Makita-servicecenter, hvis De har brug for hjælp eller yderligere oplysninger vedrørende tilbehøret.

- SDS-Max karbidforstærkede spidser
- Bøsningsværktøj
- Stamper
- Kernespidadapter

- Kernebor
- SDS-Max spidshammer
- SDS-MAX koldmejsel
- SDS-MAX afbankningsmejsel
- SDS-MAX teglmejsel
- SDS-MAX kanalmejsel
- SDS-MAX lerspade
- Hammerfedtstof
- Smørelse til spids
- Sidehåndtag
- Sidegreb
- Dybdemåler
- Udblæsningsskolbe
- Sikkerhedsbriller
- Bæretaske

For model HR5201C

Støj

ENG102-3

Det typiske A-vægtede støjniveau bestemt i overensstemmelse med EN60745:

Lydtryksniveau (L_{pA}): 100 dB (A)

Lydeffektniveau (L_{WA}): 111 dB (A)

Usikkerhed (K): 3 dB (A)

Bær høreværn.

Vibration

ENG216-2

Den samlede vibrationsværdi (treaksiel vektorsum)

bestemt i overensstemmelse med EN60745:

Arbejdstilstand: mejsling med sidehåndtag

Vibrationsemission ($a_{n,CHeq}$): 13,5 m/s²

Usikkerhed (K): 1,5 m/s²

ENG306-1

Arbejdstilstand: mejsling med sidegreb

Vibrationsemission ($a_{n,CHeq}$): 14 m/s²

Usikkerhed (K): 1,5 m/s²

ENG303-2

Arbejdstilstand: hammerboring i beton

Vibrationsemission ($a_{n,HD}$): 19,5 m/s²

Usikkerhed (K): 3 m/s²

For model HR5210C

Støj

ENG102-3

Det typiske A-vægtede støjniveau bestemt i overensstemmelse med EN60745:

Lydtryksniveau (L_{pA}): 99 dB (A)

Lydeffektniveau (L_{WA}): 110 dB (A)

Usikkerhed (K): 3 dB (A)

Bær høreværn.

Vibration

ENG216-2

Den samlede vibrationsværdi (treaksiel vektorsum)

bestemt i overensstemmelse med EN60745:

Arbejdstilstand: mejsling med sidehåndtag

Vibrationsemission ($a_{n,CHeq}$): 12 m/s²

Usikkerhed (K): 2,5 m/s²

ENG306-1

Arbejdstilstand: mejsling med sidegreb

Vibrationsemission ($a_{n,CHeq}$): 9,5 m/s²

Usikkerhed (K): 1,5 m/s²

ENG303-2

Arbejdstilstand: hammerboring i beton

Vibrationsemission ($a_{n,HD}$): 17 m/s²

Usikkerhed (K): 2 m/s²

For model HR5211C

Støj

ENG102-3

Det typiske A-vægtede støjniveau bestemt i overensstemmelse med EN60745:

Lydtryksniveau (L_{pA}): 100 dB (A)

Lydeffektniveau (L_{WA}): 111 dB (A)

Usikkerhed (K): 3 dB (A)

Bær høreværn.

Vibration

ENG216-2

Den samlede vibrationsværdi (treaksiel vektorsum) bestemt i overensstemmelse med EN60745:

Arbejdstilstand: mejsling med sidehåndtag

Vibrationsemission ($a_{h,CHeq}$): 11 m/s²

Usikkerhed (K): 1,5 m/s²

ENG306-1

Arbejdstilstand: mejsling med sidegreb

Vibrationsemission ($a_{h,CHeq}$): 8 m/s²

Usikkerhed (K): 1,5 m/s²

ENG303-2

Arbejdstilstand: hammerboring i beton

Vibrationsemission ($a_{h,HD}$): 12,5 m/s²

Usikkerhed (K): 2 m/s²

ENG901-1

- Den opgivne vibrationsemissionsværdi er målt i overensstemmelse med standardtestmetoden og kan bruges til at sammenligne et værktøj med et andet.
- Den opgivne vibrationsemissionsværdi kan muligvis også bruges til en indledende eksponeringsvurdering.

ADVARSEL:

- Vibrationsemissionen under den faktiske brug af maskinen kan afvige fra den opgivne emissionsværdi afhængigt af den måde, maskinen anvendes på.
- Sørg for at bestemme sikkerhedsforanstaltninger for beskyttelse af operatøren, som er baseret på en eksponeringsvurdering for brug under faktiske forhold (hvor alle anvendelsescyklussens dele inddrages, som f.eks. antal gange maskinen slukkes, og når den kører i tomgang ud over triggertiden).

Kun for lande i Europa

ENH101-13

EF-overensstemmelseserklæring

Vi, Makita Corporation, erklærer som ansvarlig producent at følgende Makita-maskine(r):

Maskinens betegnelse:

Borehammer

Modelnummer/ type: HR5201C, HR5210C, HR5211C

er en produktionsserie og

Overholder følgende europæiske direktiver:

98/37/EC indtil den 28. december 2009 og derefter

2006/42/EC fra den 29. december 2009

Og er produceret i overensstemmelse med følgende standarder eller standardiserede dokumenter:

EN60745

Den tekniske dokumentation findes hos vores autoriserede repræsentant i Europa:

Makita International Europe Ltd.,
Michigan, Drive, Tongwell,
Milton Keynes, MK15 8JD, England

30. januar 2009



Tomoyasu Kato
Direktør

Makita Corporation
3-11-8, Sumiyoshi-cho
Anjo, Aichi, JAPAN

ΕΛΛΗΝΙΚΑ (Πρωτογενείς οδηγίες)

Περιγραφή γενικής όψης

1. Σκανδάλη-διακόπτης	9. Πλαϊνή λαβή	19. Βίδες
2. Μοχλός-διακόπτης	10. Παξιμάδι σφιγκτήρα	20. Μαύρο
3. Επιλογέας ρύθμισης	11. Πλαϊνή λαβή	21. Λευκό
4. Μοχλός αλλαγής	12. Κολάρο μύτης	22. Συνδετήρας
5. Δείκτης	13. Γράσο για μύτες	23. Βίδα
6. Κουμπί κλειδώματος	14. Μύτη	24. Κάλυμμα κατακλιού στροφάλου
7. Ενδεικτική λυχνία ANAMMENOU (πράσινη)	15. Κάλυμμα κεφαλής	25. Πλάκα ελέγχου
8. Ενδεικτική λυχνίες συντήρησης (κόκκινη)	16. Μετρητής βάθους	26. Κατασβίδι
	17. Βίδα σύσφιξης	27. Κάλυμμα στροφάλου
	18. Φουσητήρι	28. Γράσο για σκαπτικά

ΠΡΟΔΙΑΓΡΑΦΕΣ

Μοντέλο		HR5201C	HR5210C	HR5211C
Χωρητικότητα	Μύτη με άκρο καρβιδίου	52 χλστ		
	Πυρηνοληπτική μύτη	160 χλστ		
Ταχύτητα χωρίς φορτίο (min ⁻¹)		130 - 260		
Κρούσεις το λεπτό		1.075 - 2.150		
Ολικό μήκος		599 χλστ		
Καθαρό βάρος		11,3 kg	12,1 kg	12,2 kg
Τάξη ασφάλειας		II/II		

- Λόγω του συνεχόμενου προγράμματος που εφαρμόζουμε για έρευνα και ανάπτυξη, τα τεχνικά χαρακτηριστικά στο παρόν έντυπο υπόκεινται σε αλλαγή χωρίς προειδοποίηση.
- Τα τεχνικά χαρακτηριστικά μπορεί να διαφέρουν ανάλογα με τη χώρα.
- Βάρος σύμφωνα με την διαδικασία ΕΡΤΑ 01/2003

Προοριζόμενη χρήση ENE044-1
Το εργαλείο προορίζεται για κρουστικό τρυπάνισμα σε τούβλα, τσιμέντο και πέτρα, καθώς και για καλέμισμα.

Ηλεκτρική παροχή ENF002-1
Το εργαλείο πρέπει να συνδέεται μόνο σε ηλεκτρική παροχή της ίδιας τάσης με αυτήν που αναγράφεται στην πινακίδα ονομαστικών τιμών και μπορεί να λειτουργήσει μόνο με εναλλασσόμενο μονοφασικό ρεύμα. Τα εργαλεία αυτά διαθέτουν διπλή μόνωση που συμμορφώνεται με τα ευρωπαϊκά πρότυπα και συνεπώς μπορούν να συνδεθούν με πρίζες χωρίς γείωση.

Γενικές Προειδοποιήσεις Ασφαλείας Του Ηλεκτρικού Εργαλείου

GEA010-1

⚠️ ΠΡΟΕΙΔΟΠΟΙΗΣΗ Διαβάστε όλες τις προειδοποιήσεις ασφαλείας και όλες τις οδηγίες. Αν δεν ακολουθήσετε όλες τις προειδοποιήσεις και τις οδηγίες, υπάρχει κίνδυνος ηλεκτροπληξίας, πυρκαγιάς ή/και σοβαρού τραυματισμού.

Φυλάξτε όλες τις προειδοποιήσεις και τις οδηγίες για μελλοντική αναφορά.

ΠΡΟΕΙΔΟΠΟΙΗΣΕΙΣ ΑΣΦΑΛΕΙΑΣ ΠΕΡΙΣΤΡΟΦΙΚΟΥ ΔΡΑΠΑΝΟΥ

GEB007-7

1. **Να φοράτε ωτοασπίδες.** Η έκθεση σε θόρυβο μπορεί να προκαλέσει απώλεια ακοής.
2. **Να χρησιμοποιείτε τη βοηθητική χειρολαβή(ες), εάν παρέχονται με το εργαλείο.** Η απώλεια του ελέγχου μπορεί να προκαλέσει προσωπικό τραυματισμό.
3. **Να κρατάτε το ηλεκτρικό εργαλείο από τις μονωμένες λαβές όταν εκτελείτε εργασίες κατά τις οποίες το κοπτικό εξάρτημα μπορεί να έρθει σε επαφή με μη ορατά καλώδια ή με το δικό του καλώδιο τροφοδοσίας.** Αν το κοπτικό εξάρτημα έρθει σε επαφή με κάποιο ηλεκτροφόρο καλώδιο, τα εκτεθειμένα μεταλλικά μέρη του ηλεκτρικού εργαλείου θα γίνουν κι αυτά ηλεκτροφόρα και μπορεί να προκληθεί ηλεκτροπληξία στο χειριστή.
4. **Να φοράτε κράνος ασφαλείας, γυαλιά ασφαλείας ή/και προσωπίδα.** Τα συνηθισμένα γυαλιά και τα γυαλιά ηλίου ΔΕΝ αποτελούν γυαλιά ασφαλείας. Συνιστάται επίσης έντονα να φοράτε προσωπίδα κατά της σκόνης και γάντια με παχιά επένδυση.
5. **Πριν θέσετε το εργαλείο σε λειτουργία, βεβαιωθείτε ότι η μύτη είναι ασφαλισμένη στη θέση της.**
6. **Σε κανονικές συνθήκες λειτουργίας, το εργαλείο είναι σχεδιασμένο να παράγει κραδασμούς. Οι βίβες μπορούν εύκολα να ξεβιδωθούν και να προκληθεί καταστροφή του εργαλείου ή ατύχημα.**

Πριν θέσετε το εργαλείο σε λειτουργία, ελέγξτε αν οι βίδες είναι σφιγμένες.

- Όταν έχει κρύο καιρό ή όταν δεν έχετε χρησιμοποιήσει το εργαλείο για μεγάλη χρονική περίοδο, αφήστε το εργαλείο να λειτουργήσει για λίγη ώρα χωρίς φόρτο. Με αυτό το τρόπο θα κυκλοφορήσει η λιπανση. Αν δεν γίνει σωστό ζέσταμα, θα υπάρχει δυσκολία στη σκαπτική λειτουργία.
- Να βεβαιώνετε πάντοτε ότι στέκεστε σταθερά. Όταν χρησιμοποιείτε το εργαλείο σε υψηλές τοποθεσίες, να βεβαιώνετε ότι δεν βρίσκεται κανένας από κάτω.
- Να κρατάτε το εργαλείο γερά και με τα δύο χέρια.
- Μην πλησιάζετε τα χέρια σας σε κινούμενα μέρη.
- Μην αφήνετε το εργαλείο σε λειτουργία. Το εργαλείο πρέπει να βρίσκεται σε λειτουργία μόνο όταν το κρατάτε.
- Μη στρέψετε το εργαλείο σε κανέναν μέσα στο χώρο, όταν αυτό βρίσκεται σε λειτουργία. Η μύτη μπορεί να εκτοξευτεί και να προκληθεί σοβαρός τραυματισμός σε άλλο άτομο.
- Μην αγγίξετε τη μύτη ή μέρη που βρίσκονται κοντά στη μύτη αμέσως μετά τη λειτουργία του εργαλείου. Μπορεί να είναι εξαιρετικά θερμά και να προκληθεί έγκαυμα στο δέρμα σας.
- Μερικά υλικά περιέχουν χημικές ουσίες που μπορεί να είναι τοξικές. Προσέχετε ώστε να αποφεύγετε την εισπνοή της σκόνης και την επαφή με το δέρμα. Ακολουθείτε τα δεδομένα ασφάλειας υλικού που παρέχονται από τον προμηθευτή.

ΦΥΛΑΞΤΕ ΑΥΤΕΣ ΤΙΣ ΟΔΗΓΙΕΣ.

ΠΡΟΕΙΔΟΠΟΙΗΣΗ:

ΜΗΝ επιτρέψετε στη βολικότητα ή στην εξοικείωσή σας με το προϊόν (που αποκτήθηκε από επανειλημμένη χρήση) να αντικαταστήσει την αυστηρή προσήλωση στους κανόνες ασφάλειας του εν λόγω προϊόντος. Η ΛΑΝΘΑΣΜΕΝΗ ΧΡΗΣΗ ή η μη τήρηση των κανόνων ασφαλείας που διατυπώνονται στο παρόν εγχειρίδιο οδηγιών μπορεί να προκαλέσει σοβαρό τραυματισμό.

ΠΕΡΙΓΡΑΦΗ ΛΕΙΤΟΥΡΓΙΑΣ

ΠΡΟΣΟΧΗ:

- Να βεβαιώνετε πάντοτε ότι το εργαλείο είναι σβηστό και αποσυνδεδεμένο από το ηλεκτρικό ρεύμα πριν ρυθμίζετε ή ελέγχετε κάποια λειτουργία του.

Δράση διακόπτη (Εικ. 1)

ΓΙΑ ΤΟ ΜΟΝΤΕΛΟ HR5211C

ΠΡΟΣΟΧΗ:

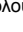
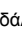
- Πριν συνδέετε το εργαλείο, πάντοτε να ελέγχετε ότι η σκανδάλη-διακόπτης ενεργοποιείται κανονικά και επιστρέφει στη θέση OFF όταν την αφήνετε.

Για να ξεκινήσετε το εργαλείο, απλά πιέστε τη σκανδάλη-διακόπτη. Για να σταματήσετε, αφήστε τη σκανδάλη-διακόπτη.

ΓΙΑ ΤΑ ΜΟΝΤΕΛΑ HR5210C/HR5201C

Σκανδάλη διακόπτης


ΠΡΟΣΟΧΗ:

- Πριν συνδέετε το εργαλείο, πάντοτε να ελέγχετε ότι η σκανδάλη-διακόπτης ενεργοποιείται κανονικά και επιστρέφει στη θέση OFF όταν την αφήνετε.
- Αυτός ο διακόπτης λειτουργεί κατά τη ρύθμιση του εργαλείου σε λειτουργίες συμβόλου  και συμβόλου .

Για να ξεκινήσετε το εργαλείο, απλά πιέστε τη σκανδάλη-διακόπτη. Για να σταματήσετε, αφήστε τη σκανδάλη-διακόπτη.

Κυλιόμενος διακόπτης

ΠΡΟΣΟΧΗ:

- Πριν να συνδέσετε το εργαλείο, ελέγχετε πάντα να δείτε αν είναι σωστό το εργαλείο.
 - Αυτός ο διακόπτης λειτουργεί μόνο κατά τη ρύθμιση του εργαλείου σε λειτουργίες δράσης συμβόλου .
- Όταν χρησιμοποιείτε το εργαλείο για μεγάλο χρονικό διάστημα στην κρουστική λειτουργία, είναι διαθέσιμος ο κυλιόμενος διακόπτης. Για να ξεκινήσετε τη λειτουργία του εργαλείου, πατήστε την πλευρά "I (ON)" του μοχλοδιακόπτη. Για να σταματήσετε τη λειτουργία του εργαλείου, πατήστε την πλευρά "O (OFF)" του μοχλοδιακόπτη. (Εικ. 2)

Αλλαγή ταχύτητας (Εικ. 3)

Μπορείτε να ρυθμίσετε τις περιστροφές και τις κρούσεις ανά λεπτό, αν περιστρέψετε απλά τον επιλογέα ρύθμισης. Ο επιλογέας είναι σημειωμένος από 1 (χαμηλότερη ταχύτητα) έως 5 (τελική ταχύτητα).

Για τη σχέση μεταξύ των αριθμημένων ρυθμίσεων στον επιλογέα ρύθμισης και των περιστροφών/κρούσεων ανά λεπτό, ανατρέξτε στον παρακάτω πίνακα.


Αριθμηση στον επιλογέα ρύθμισης	Περιστροφές ανά λεπτό	Κρούσεις το λεπτό
5	260	2.150
4	240	2.000
3	190	1.600
2	150	1.250
1	130	1.075

ΠΡΟΣΟΧΗ:

- Αν το εργαλείο λειτουργεί συνεχόμενα σε χαμηλές ταχύτητες για μεγάλο χρονικό διάστημα, το μοτέρ θα υπερφορτωθεί και θα προκαλέσει δυσλειτουργία του εργαλείου.
- Ο επιλογέας ρύθμισης ταχύτητας έχει τη δυνατότητα να περιστρέφεται έως το 5 και ξανά στο 1. Μην τον εξαναγκάζετε πέρα από το 5 ή το 1, αλλιώς μπορεί να μη λειτουργεί πλέον η ρύθμιση ταχύτητας.

Επιλογή του τρόπου δράσης


Περιστροφή με κρούση (Εικ. 4 και 5)

Για τρυπάνισμα σε τοιμάνο, τοιχοποιία, κτλ., πιέστε το κουμπι ασφάλισης και περιστρέψτε το μοχλό αλλαγής ώστε ο δείκτης να δείχνει στο σύμβολο .

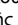
Χρησιμοποιήστε μύτη με άκρο βολφραμίου-καρβιδίου.

Κρούση μόνο


ΓΙΑ ΜΟΝΤΕΛΟ HR5201C ΚΑΙ HR5210C (Εικ. 6)

Για καλέμισμα, ξύσιμο ή ξήλωμα, πιέστε το κουμπί ασφαλείας και περιστρέψτε το μοχλό αλλαγής ώστε ο δείκτης να δείχνει στο σύμβολο . Χρησιμοποιήστε βελόνι, ψυχρό καλέμι, καλέμι σφυροκοπήματος, κτλ.

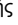
Για παρατεταμένη χρήση κρούσης (ΜΟΝΟ ΓΙΑ ΜΟΝΤΕΛΑ HR5201C ΚΑΙ HR5210C) (Εικ. 7)

Για καλέμισμα, ξύσιμο ή ξήλωμα, πιέστε το κουμπί ασφαλείας και περιστρέψτε το μοχλό αλλαγής ώστε ο δείκτης να δείχνει στο σύμβολο . Χρησιμοποιήστε βελόνι, ψυχρό καλέμι, καλέμι σφυροκοπήματος, κτλ.

ΠΡΟΣΟΧΗ:

- Κατά τη χρήση του εργαλείου στη λειτουργία συμβόλου , η σκανδάλη-διακόπτης δε λειτουργεί και λειτουργεί μόνο ο κυλιόμενος διακόπτης.

ΓΙΑ ΤΟ ΜΟΝΤΕΛΟ HR5211C (Εικ. 8)

Για καλέμισμα, ξύσιμο ή ξήλωμα, πιέστε το κουμπί ασφαλείας και περιστρέψτε το μοχλό αλλαγής ώστε ο δείκτης να δείχνει στο σύμβολο . Χρησιμοποιήστε βελόνι, ψυχρό καλέμι, καλέμι σφυροκοπήματος, κτλ.

ΠΡΟΣΟΧΗ:

- Μην περιστρέψετε το μοχλό αλλαγής όταν το εργαλείο λειτουργεί με φορτίο. Θα προκληθεί βλάβη στο εργαλείο.
- Για να αποφεύγετε την ταχεία φθορά του μηχανισμού αλλαγής τρόπου λειτουργίας, βεβαιωθείτε ότι ο μοχλός αλλαγής βρίσκεται πάντα σε μία από τις τρεις θέσεις τρόπου δράσης.

Περιοριστής ροπήs

Ο περιοριστής ροπήs θα ενεργοποιηθεί όταν επιτευχθεί ένα ορισμένο επίπεδο ροπήs. Το μοτέρ θα αποδεσμευτεί από τον άξονα εξόδου. Όταν συμβεί αυτό, η μύτη θα σταματήσει να περιστρέφεται.

ΠΡΟΣΟΧΗ:

- Μόλις ενεργοποιηθεί ο περιοριστής ροπήs, απενεργοποιήστε αμέσως το εργαλείο. Έτσι, θα προληφθεί η πρόωρη φθορά του εργαλείου.

Ενδεικτική λυχνία (Εικ. 9)

Όταν συνδέετε το εργαλείο, ανάβει η πράσινη ενδεικτική λυχνία ενεργής θέσης (ON). Αν δεν ανάβει η ενδεικτική λυχνία, μπορεί να είναι ελαττωματικό το ηλεκτρικό καλώδιο ή ο ελεγκτής. Η ενδεικτική λυχνία είναι αναμμένη, αλλά το εργαλείο δεν ξεκινάει, ακόμα κι αν είναι αναμμένο, μπορεί να έχουν φθαρεί τα καρβουνάκια, ή να είναι ελαττωματικός ο ελεγκτής, το μοτέρ ή ο διακόπτης ON/OFF.

Η κόκκινη ενδεικτική λυχνία συντήρησης αναβοσβήνει όταν τα καρβουνάκια έχουν φθαρεί σχεδόν τελείως για να δηλώσει πως το εργαλείο χρειάζεται συντήρηση. Μετά από περίπου 8 ώρες χρήσης, το μοτέρ θα σβήσει αυτόματα.

ΣΥΝΑΡΜΟΛΟΓΗΣΗ

ΠΡΟΣΟΧΗ:

- Να βεβαιώνετε πάντοτε ότι το εργαλείο είναι σβηστό και αποσυνδεδεμένο από το ηλεκτρικό ρεύμα πριν εκτελέσετε οποιαδήποτε εργασία σε αυτό.

Πλαϊνή λαβή (Εικ. 10)

ΠΡΟΣΟΧΗ:

- Χρησιμοποιείτε την πλαϊνή λαβή μόνο κατά το καλέμισμα, ξύσιμο ή ξήλωμα. Μη τη χρησιμοποιείτε για τρυπάνισμα σε τσιμέντο, τοιχοποιία, κτλ. Δεν μπορεί να κρατηθεί σωστά το εργαλείο από αυτήν την πλαϊνή λαβή κατά το τρυπάνισμα.

Η πλαϊνή λαβή μπορεί να περιστραφεί 360° καθέτως και να ασφαλίσει σε όποια θέση θέλετε. Ασφαλίσει επίσης σε οκτώ διαφορετικές θέσεις πίσω και μπροστά οριζοντίως. Απλά χαλαρώστε το παξιμάδι σφιγκτήρα για να περιστρέψετε την πλαϊνή λαβή στη θέση που θέλετε.

Έπειτα, σφίξτε καλά το παξιμάδι σφιγκτήρα. (Εικ. 11)

Πλαϊνή λαβή (Εικ. 12)

ΠΡΟΣΟΧΗ:

- Να χρησιμοποιείτε πάντα την πλαϊνή λαβή για να εξασφαλίσετε την ασφαλεία κατά το τρυπάνισμα σε τσιμέντο, τοιχοποιία, κτλ.

Η πλευρική λαβή αιωρείται γύρω από κάθε πλευρά ώστε να επιτρέπει τον εύκολο χειρισμό του εργαλείου σε οποιαδήποτε θέση. Χαλαρώστε την πλευρική λαβή στρέφοντάς την αριστερόστροφα, περιστρέψτε τη στην επιθυμητή θέση και κατόπιν σφίξτε τη στρέφοντάς τη δεξιόστροφα.

Γράσο για μύτες (προαιρετικό εξάρτημα)

Επικαλύψτε εκ των προτέρων την κεφαλή του κολάρου μύτες με μια μικρή ποσότητα γράσου (περίπου 0,5 έως 1 γρ.). Αυτή η λίπανση της κεφαλής εξασφαλίζει την ομαλή δράση και τη μακρύτερη διάρκεια λειτουργίας.

Τοποθέτηση ή αφαίρεση της μύτες (Εικ. 13)

Καθαρίστε το κολάρο μύτες και τοποθετήστε γράσο για μύτες πριν τοποθετήσετε τη μύτη.

Τοποθετήστε τη μύτη στο εργαλείο. Περιστρέψτε τη μύτη και σπρώξτε τη προς τα μέσα έως ότου ασφαλίσει.


(Εικ. 14)

Εάν δεν μπορείτε να σπρώξετε τη μύτη προς τα μέσα, αφαιρέστε την. Τραβήξτε το κάλυμμα κεφαλής προς τα κάτω μερικές φορές. Κατόπιν, τοποθετήστε ξανά τη μύτη. Περιστρέψτε τη μύτη και σπρώξτε τη προς τα μέσα έως ότου ασφαλίσει.


Μετά την τοποθέτηση, να προσπαθείτε πάντοτε να τραβήξετε τη μύτη για να βεβαιωθείτε ότι αυτή είναι ασφαλισμένη στη θέση της.

Για να αφαιρέσετε τη μύτη, τραβήξτε προς τα κάτω το κάλυμμα κεφαλής έως το τέρμα και τραβήξτε τη μύτη προς τα έξω. (Εικ. 15)

Κλίση μύτες (κατά το καλέμισμα, ξύσιμο ή ξήλωμα) (Εικ. 16 και 17)

Μπορείτε να ασφαλίσετε τη μύτη σε 16 διαφορετικές γωνίες. Για να αλλάξετε την κλίση της μύτες, πιέστε το κουμπί ασφαλείας και περιστρέψτε το μοχλό αλλαγής ώστε ο δείκτης να δείχνει στο σύμβολο .

Περιστρέψτε τη μύτη στην επιθυμητή κλίση.

Πατήστε το κουμπί ασφαλείας και περιστρέψτε το μοχλό αλλαγής ώστε ο δείκτης να δείχνει στο σύμβολο .

Κατόπιν, περιστρέψτε λίγο τη μύτη για να βεβαιωθείτε ότι είναι καλά ασφαλισμένη στη θέση της. (Εικ. 18 και 19)

Μετρητής βάθους (Εικ. 20)

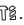
Ο μετρητής βάθους είναι χρήσιμος για το τρυπάνισμα οπών με ομοιόμορφο βάθος. Χαλαρώστε τη βίδα σύσφιξης και ρυθμίστε το ρυθμιστή βάθους στο επιθυμητό βάθος. Μετά τη ρύθμιση, σφίξτε καλά τη βίδα σύσφιξης.

ΣΗΜΕΙΩΣΗ:

- Ο μετρητής βάθους δεν μπορεί να χρησιμοποιηθεί στη θέση όπου ο μετρητής βάθους χτυπάει επάνω στο περιβλήμα γραναζιού/στο περιβλήμα του μοτέρ.

ΛΕΙΤΟΥΡΓΙΑ

Λειτουργία τρυπανίσματος με κρούση (Εικ. 21)

Ρυθμίστε το μοχλό αλλαγής στο σύμβολο . Τοποθετήστε τη μύτη στη θέση που επιθυμείτε να τρυπανίσετε και κατόπιν τραβήξτε τη σκανδάλη-διακόπτη. Μην ασκείτε δύναμη στο εργαλείο. Θα έχετε καλύτερα αποτελέσματα με ελαφριά πίεση. Να διατηρείτε το εργαλείο στη θέση του και να αποφεύγετε την ολισθηση του από την οπή. Μην ασκείτε περισσότερη πίεση σε περίπτωση που η οπή φράξει με θραύσματα ή σωματίδια. Αντ' αυτού, σταματήστε αργά τη λειτουργία του εργαλείου και κατόπιν βγάλτε τη μύτη μερικώς από την οπή. Αν επαναλάβετε τη διαδικασία αυτή μερικές φορές, η οπή θα καθαρίσει και θα μπορείτε να συνεχίσετε κανονικά το τρυπάνισμα.

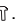
ΠΡΟΣΟΧΗ:

- Όταν η μύτη αρχίσει να σπάει το τσιμέντο ή η μύτη χτυπήσει ενισχυμένες ράβδους που βρίσκονται μέσα στο τσιμέντο, το εργαλείο μπορεί να αντιδράσει με επικίνδυνο τρόπο. Διατηρήστε καλή ισορροπία και ασφαλή στήριξη όσο κρατάτε καλά το εργαλείο και με τα δύο χέρια για να αποτρέψετε επικίνδυνες αντιδράσεις.

Φυσητήρι (προαιρετικό αξεσουάρ) (Εικ. 22)

Μετά από το τρυπάνισμα της οπής, χρησιμοποιήστε το φυσητήρι για να καθαρίσετε τη σκόνη από την οπή.

Καλέμισμα/Ξύσιμο/Ξήλωμα (Εικ. 23)

Ρυθμίστε το μοχλό αλλαγής στο σύμβολο . Να κρατάτε το εργαλείο γερά και με τα δύο χέρια. Θέστε το εργαλείο σε λειτουργία και ασκήστε ελαφριά πίεση σε αυτό για να μην αναπηδά ανεξέλεγκτα. Δεν θα αυξηθεί η αποδοτικότητα του εργαλείου αν το πιέξετε πιο δυνατά.

ΣΥΝΤΗΡΗΣΗ

ΠΡΟΣΟΧΗ:

- Να βεβαιώνετε πάντοτε ότι το εργαλείο είναι σβηστό και αποσυνδεδεμένο από το ηλεκτρικό ρεύμα πριν εκτελέσετε οποιαδήποτε εργασία ελέγχου ή συντήρησης σε αυτό.

Λίπανση

ΠΡΟΣΟΧΗ:

- Αυτές οι εργασίες συντήρησης θα πρέπει να εκτελούνται μόνο σε εξουσιοδοτημένο ή εργοστασιακό κέντρο εξυπηρέτησης της Makita.

Το εργαλείο αυτό δεν απαιτεί ωριαία ή καθημερινή λίπανση επειδή διαθέτει σύστημα λίπανσης με γράσο. Λιπαίνετε το εργαλείο κάθε φορά που αντικαθίστανται τα καρβουνάκια. (Εικ. 24)

Θέστε το εργαλείο σε λειτουργία για μερικά λεπτά για να ζεστάνει. Σβήστε το εργαλείο και αποσυνδέστε το από το ηλεκτρικό ρεύμα.

Χαλαρώστε τις έξι βίδες και αφαιρέστε τη λαβή. Σημειώστε πως οι πάνω βίδες είναι διαφορετικές από τις άλλες βίδες. Αποσυνδέστε το συνδετήρα τραβώντας τις. (Εικ. 25)

Χαλαρώστε τις βίδες και αφαιρέστε το μοχλό αλλαγής. (Εικ. 26)

Αφαιρέστε το κάλυμμα καπακιού στροφάλου.

Αφαιρέστε την πλάκα ελέγχου. (Εκτός από το μοντέλο HR5211C.) (Εικ. 27)

Χαλαρώστε τις έξι βίδες με ένα κατσαβίδι και αφαιρέστε το καπάκι στροφάλου. Ακουμπήστε το εργαλείο σε πάγκο με τη μύτη στραμμένη προς τα πάνω. Έτσι, θα συλλεχτεί το παλιό γράσο στο εσωτερικό του περιβλήματος στροφάλου. (Εικ. 28)

Σκουπίστε το παλιό γράσο που βρίσκεται στο εσωτερικό και συμπληρώστε με καινούργιο γράσο (60 γραμμάρια). Να χρησιμοποιείτε μόνο γνήσιο γράσο για σκαπτικά της Makita (προαιρετικό αξεσουάρ). Αν πληρώσετε με μεγαλύτερη ποσότητα γράσου από αυτήν που καθορίζεται (περίπου 60 γραμμάρια), μπορεί να προκληθεί ελαττωματική δράση κρούσης ή καταστροφή του εργαλείου. Γεμίστε μόνο με την ποσότητα γράσου που καθορίζεται. (Εικ. 29)

Τοποθετήστε ξανά το καπάκι στροφάλου και σφίξτε το με το κατσαβίδι. Συνδέστε το συνδετήρα και τοποθετήστε ξανά τη λαβή. (Εικ. 30)

ΠΡΟΣΟΧΗ:

- Μη σφίγγετε υπερβολικά το καπάκι στροφάλου. Είναι κατασκευασμένο από ρητίνη και μπορεί να σπάσει.
- Προσέξτε να μην προκαλέσετε ζημιά στο συνδετήρα ή στα καλώδια τροφοδοσίας ειδικά όταν σκουπίζετε το παλιό γράσο ή εγκαθιστάτε τη λαβή.

Για να διατηρείται η ΑΣΦΑΛΕΙΑ και η ΑΞΙΟΠΙΣΤΙΑ του προϊόντος, οι εργασίες επισκευής, καθώς και οποιαδήποτε άλλη εργασία συντήρησης ή ρύθμισης, θα πρέπει να εκτελούνται σε εξουσιοδοτημένα κέντρα εξυπηρέτησης της Makita, και πάντοτε με τη χρήση ανταλλακτικών της Makita.

ΑΞΕΣΟΥΑΡ

ΠΡΟΣΟΧΗ:

- Συνιστάται η χρήση των παρακάτω αξεσουάρ και εξαρτημάτων με το εργαλείο της Makita μόνο όπως καθορίζεται στο παρόν εγχειρίδιο. Αν χρησιμοποιήσετε άλλα αξεσουάρ ή εξαρτήματα μπορεί να παρουσιαστεί κίνδυνος για πρόκληση ατομικού τραυματισμού. Να χρησιμοποιείτε τα αξεσουάρ και τα εξαρτήματα μόνο για το σκοπό για τον οποίο προορίζονται.

Αν χρειάζεστε κάποια βοήθεια ή περισσότερες πληροφορίες σχετικά με τα αξεσουάρ αυτά, απευθυνθείτε στο πλησιέστερο κέντρο εξυπηρέτησης της Makita.

- Μύτες με άκρο SDS-Max καρβιδίου
- Εργαλείο τριβέα
- Σφύρα
- Προσαρμογέας πυρηνοληπτικής μύτης
- Πυρηνοληπτική μύτη
- Βελόνι SDS-Max

- Ψυχρό καλέμι SDS-Max
- Καλέμι σφυροκοπήματος SDS-Max
- Καλέμι για πλακάκια SDS-Max
- Καλέμι για αυλάκισμα SDS-Max
- Τσάπα SDS-Max
- Γράσο για σκαπτικά
- Γράσο για μύτες
- Πλαϊνή λαβή
- Πλαϊνή λαβή
- Μετρητής βάθους
- Φουσητήρι
- Γυαλιά προστασίας
- Θήκη μεταφορός

Για το μοντέλο HR5201C

Θόρυβος

ENG102-3

Το σύνθηες σταθμισμένο επίπεδο θορύβου που έχει καθοριστεί σύμφωνα με την EN60745:

Επίπεδο ηχητικής πίεσης (L_{pA}): 100 dB (A)

Επίπεδο ηχητικής ισχύος (L_{WA}): 111 dB (A)

Αβεβαιότητα (K): 3 dB (A)

Να φοράτε ωτοασπίδες.

Δόνηση

ENG216-2

Η συνολική τιμή δόνησης (διανυσματικό άθροισμα τριών αξόνων) που έχει καθοριστεί σύμφωνα με την EN60745:

Κατάσταση λειτουργίας: λειτουργία σμίλευσης με πλαϊνή χειρολαβή

Εκπομπή δόνησης ($a_{h,CHeg}$): 13,5 m/s²

Αβεβαιότητα (K): 1,5 m/s²

ENG306-1

Κατάσταση λειτουργίας: λειτουργία σμίλευσης με πλαϊνή χειρολαβή

Εκπομπή δόνησης ($a_{h,CHeg}$): 14 m/s²

Αβεβαιότητα (K): 1,5 m/s²

ENG303-2

Κατάσταση λειτουργίας: κρουστική διάτρηση σε τσιμέντο

Εκπομπή δόνησης ($a_{h,HD}$): 19,5 m/s²

Αβεβαιότητα (K): 3 m/s²

Για το μοντέλο HR5210C

Θόρυβος

ENG102-3

Το σύνθηες σταθμισμένο επίπεδο θορύβου που έχει καθοριστεί σύμφωνα με την EN60745:

Επίπεδο ηχητικής πίεσης (L_{pA}): 99 dB (A)

Επίπεδο ηχητικής ισχύος (L_{WA}): 110 dB (A)

Αβεβαιότητα (K): 3 dB (A)

Να φοράτε ωτοασπίδες.

Δόνηση

ENG216-2

Η συνολική τιμή δόνησης (διανυσματικό άθροισμα τριών αξόνων) που έχει καθοριστεί σύμφωνα με την EN60745:

Κατάσταση λειτουργίας: λειτουργία σμίλευσης με πλαϊνή χειρολαβή

Εκπομπή δόνησης ($a_{h,CHeg}$): 12 m/s²

Αβεβαιότητα (K): 2,5 m/s²

ENG306-1

Κατάσταση λειτουργίας: λειτουργία σμίλευσης με πλαϊνή χειρολαβή

Εκπομπή δόνησης ($a_{h,CHeg}$): 9,5 m/s²

Αβεβαιότητα (K): 1,5 m/s²

ENG303-2

Κατάσταση λειτουργίας: κρουστική διάτρηση σε τσιμέντο

Εκπομπή δόνησης ($a_{h,HD}$): 17 m/s²

Αβεβαιότητα (K): 2 m/s²

Για το μοντέλο HR5211C

Θόρυβος

ENG102-3

Το σύνθηες σταθμισμένο επίπεδο θορύβου που έχει καθοριστεί σύμφωνα με την EN60745:

Επίπεδο ηχητικής πίεσης (L_{pA}): 100 dB (A)

Επίπεδο ηχητικής ισχύος (L_{WA}): 111 dB (A)

Αβεβαιότητα (K): 3 dB (A)

Να φοράτε ωτοασπίδες.

Δόνηση

ENG216-2

Η συνολική τιμή δόνησης (διανυσματικό άθροισμα τριών αξόνων) που έχει καθοριστεί σύμφωνα με την EN60745:

Κατάσταση λειτουργίας: λειτουργία σμίλευσης με πλαϊνή χειρολαβή

Εκπομπή δόνησης ($a_{h,CHeg}$): 11 m/s²

Αβεβαιότητα (K): 1,5 m/s²

ENG306-1

Κατάσταση λειτουργίας: λειτουργία σμίλευσης με πλαϊνή χειρολαβή

Εκπομπή δόνησης ($a_{h,CHeg}$): 8 m/s²

Αβεβαιότητα (K): 1,5 m/s²

ENG303-2

Κατάσταση λειτουργίας: κρουστική διάτρηση σε τσιμέντο

Εκπομπή δόνησης ($a_{h,HD}$): 12,5 m/s²

Αβεβαιότητα (K): 2 m/s²

ENG901-1

- Η δηλωθείσα τιμή των παραγομένων κραδασμών έχει καταμετρηθεί σύμφωνα με την τυποποιημένη μέθοδο δοκιμίας και μπορεί να χρησιμοποιηθεί για την σύγκριση ενός εργαλείου με ένα άλλο.
- Η δηλωθείσα τιμή των παραγομένων κραδασμών μπορεί επίσης να χρησιμοποιηθεί για μια προκαταρκτική αξιολόγηση της έκθεσης στους κραδασμούς.

⚠ ΠΡΟΕΙΔΟΠΟΙΗΣΗ:

- Η εκπομπή κραδασμών κατά τη διάρκεια της πραγματικής χρήσης του ηλεκτρικού εργαλείου μπορεί να διαφέρει από τη δηλωθείσα τιμή των εκπομπών, ανάλογα με τον τρόπο με τον οποίο χρησιμοποιείται το εργαλείο.
- Φροντίστε να λάβετε τα μέτρα ασφαλείας που απαιτούνται για την προστασία του χρήστη που βασίζονται σε μια εκτίμηση της έκθεσης σε πραγματικές συνθήκες χρήσης (λαμβάνοντας υπόψη όλα τα μέτρα του κύκλου λειτουργίας, όπως είναι οι περιπτώσεις κατά τις οποίες το εργαλείο είναι απενεργοποιημένο και όταν λειτουργεί στο ελαντί επιπροσθέτως του χρόνου κατά τον οποίο το εργαλείο βρίσκεται σε χρήση).

Για Ευρωπαϊκές χώρες μόνο

ENH101-13

EK – Δήλωση συμμόρφωσης

**Η Εταιρία Makita ως υπεύθυνος κατασκευαστής,
δηλώνει ότι το παρακάτω μηχάνημα ή μηχανήματα
της Makita:**

Όνομασία Μηχανήματος:

Περιστροφικό δρόπανο

Αρ. Μοντέλου/ Τύπος: HR5201C, HR5210C, HR5211C

αποτελούν παραγωγή σε σειρά και

Συμμορφώνονται με τις ακόλουθες Ευρωπαϊκές

Οδηγίες:

98/37/EK έως την 28η Δεκεμβρίου 2009 και

επακόλουθα με την 2006/42/EK από την 29η

Δεκεμβρίου 2009

Και κατασκευάζονται σύμφωνα με τα παρακάτω πρότυπα

ή τυποποιημένα έγγραφα:

EN60745

Ο εξουσιοδοτημένος μας αντιπρόσωπος στην Ευρώπη

διατηρεί τα τεχνικά έγγραφα, ο οποίος είναι:

Makita International Europe Ltd.,

Michigan, Drive, Tongwell,

Milton Keynes, MK15 8JD, England

30η Ιανουαρίου 2009



Tomoyasu Kato

Διευθυντής

Makita Corporation

3-11-8, Sumiyoshi-cho,

Anjo, Aichi, JAPAN

Makita Corporation
Anjo, Aichi, Japan

www.makita.com

884701C993

ALA