

DEWALT®

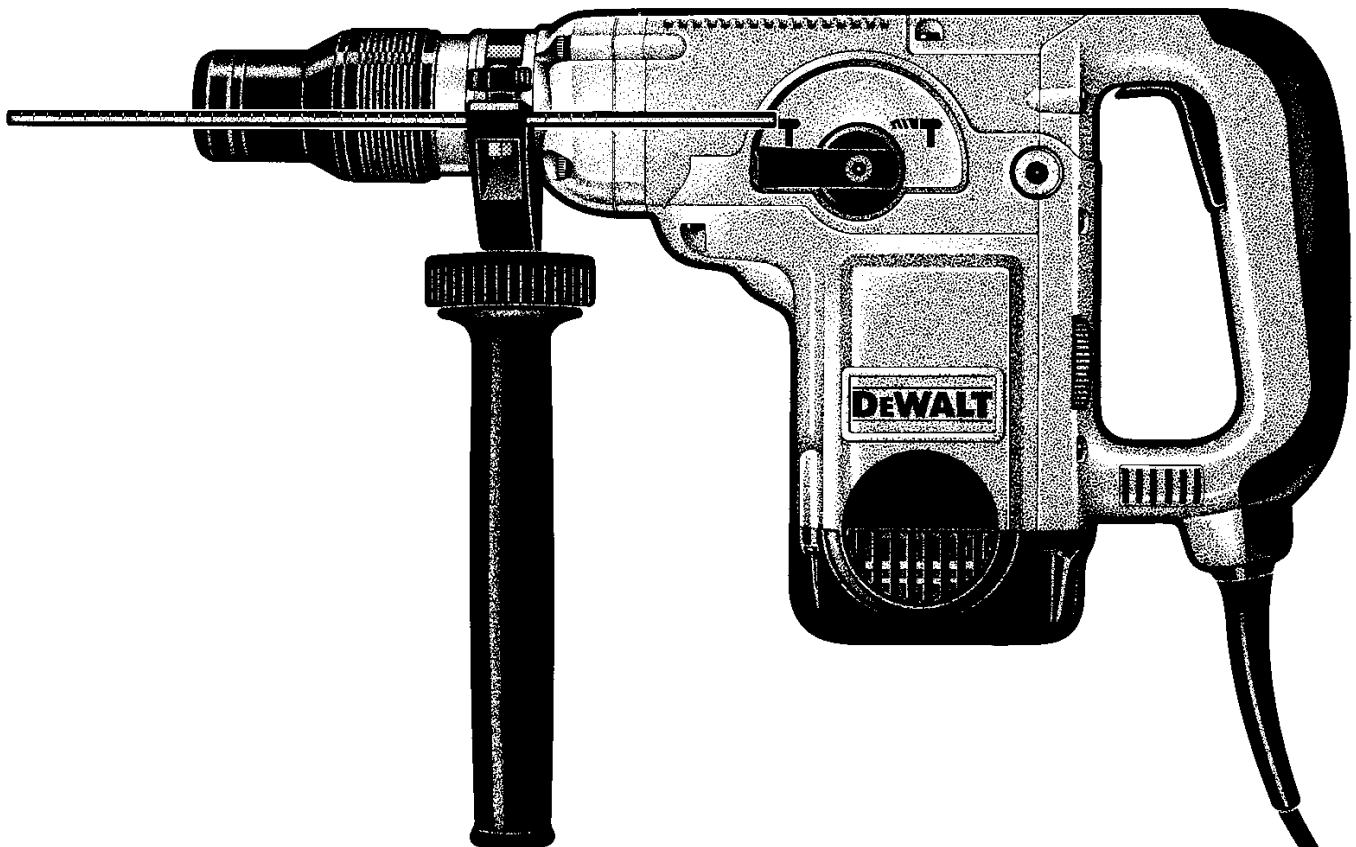
**INSTRUCTION MANUAL
MANUAL DE INSTRUCCIONES
MANUAL DE INSTRUÇÕES**

D25500 D25600

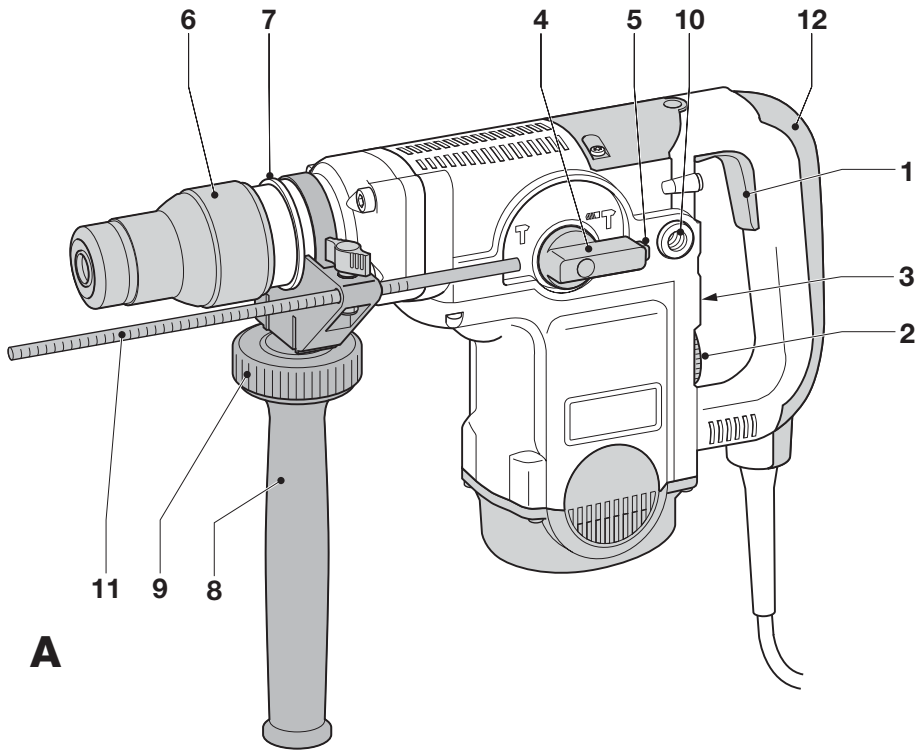
SDS Rotary Hammer

Rotomartillo SDS

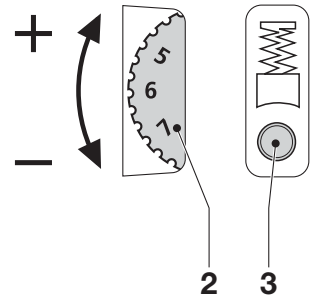
Martelo Eletropneumático SDS



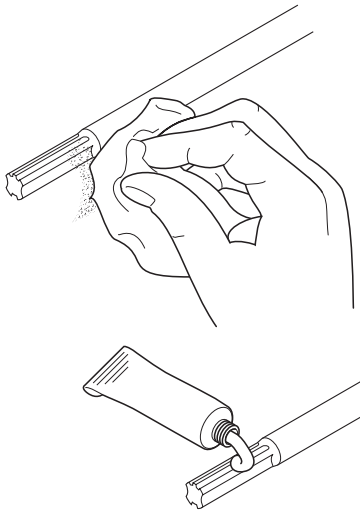
Advertencia: Léase este instructivo antes de usar el producto!



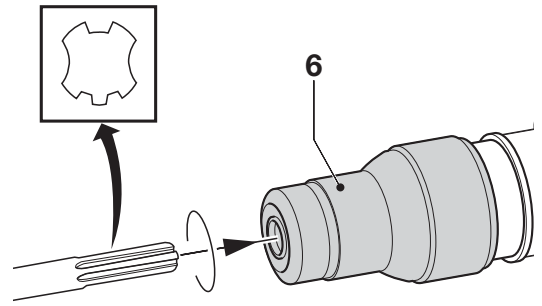
A



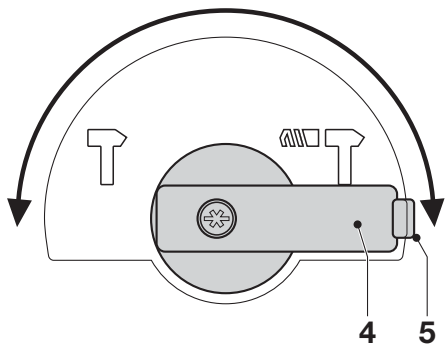
B



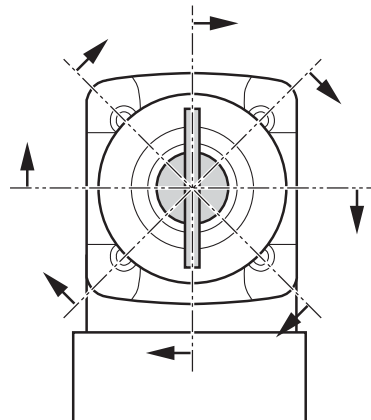
C1



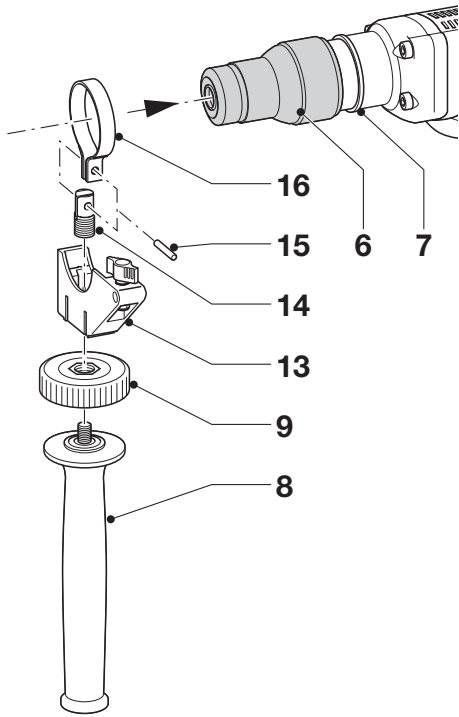
C2



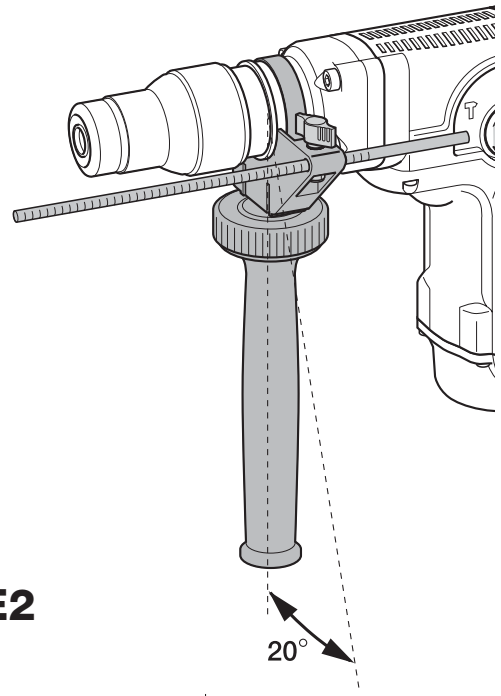
D1



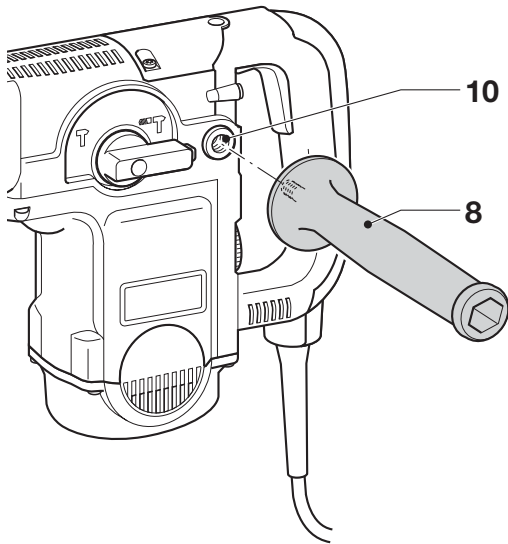
D2



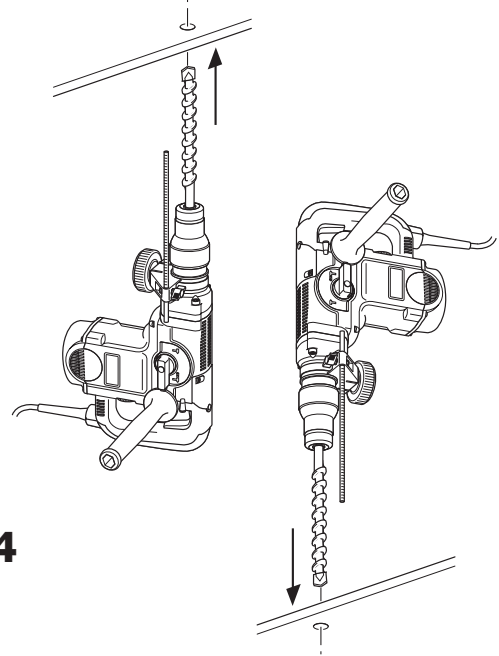
E1



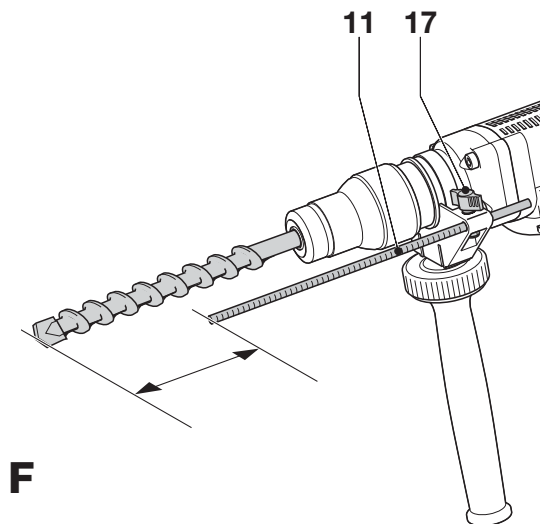
E2



E3



E4



F

DEMOLITION HAMMER D25500/25600

Technical Information

		D25500	D25600
Power input	120V~	1050W	1150W
	220V~	1050W	1150W
Impact energy	(J)	1 - 9	1 - 10
Maximum drilling range in concrete:			
- solid bits	mm	12 - 40	12 - 45
- core bits	mm	40 - 90	40 - 100
Optimum drilling range in concrete:			
- solid bits	mm	18 - 30	20 - 38
Chisel positions		8	8
Tool holder		SDS-max®	SDS-max®
Weight	kg	6.5	6.6

The following symbols are used throughout this manual:



Denotes risk of personal injury, loss of life or damage to the tool in case of non-observance of the instructions in this manual.



Denotes risk of electric shock.

EC-Declaration of conformity



D25500/D25600

DeWALT declares that these power tools have been designed in compliance with: 98/37/EEC, 89/336/EEC, 73/23/EEC, EN 50144, EN 55014-2, EN 55014-1, EN 61000-3-2 & EN 61000-3-3.

For more information, please contact DeWALT at the address below, or refer to the back of the manual.

Level of sound pressure according to 86/188/EEC & 98/37/EEC, measured according to EN 50144:

		D25500	D25600
L_{pA} (sound pressure)	dB(A)*	95	95
L_{WA} (acoustic power)	dB(A)	103.5	103.5

* at the operator's ear



Take appropriate measures for the protection of hearing.

Weighted root mean square acceleration value according to EN 50144:

	D25500	D25600
	9.7 m/s ²	9.8 m/s ²

Director Engineering and Product Development
Horst Großmann

DeWALT, Richard-Klinger-Straße 40,
D-65510, Idstein, Germany

Safety instructions

When using Power Tools, always observe the safety regulations applicable in your country to reduce the risk of fire, electric shock and personal injury. Read the following safety instructions before attempting to operate this product.

Keep these instructions in a safe place!

General

1 Keep work area clean

Cluttered areas and benches can cause accidents.

2 Consider work area environment

Do not expose Power Tools to humidity. Keep work area well lit. Do not use Power Tools in the presence of flammable liquids or gases.

3 Guard against electric shock

Prevent body contact with earthed surfaces (e.g. pipes, radiators, cookers and refrigerators). For use under extreme conditions (e.g. high humidity, when metal swarf is being produced, etc.) electric safety can be improved by inserting an isolating transformer or a (FI) earth-leakage circuit-breaker.

4 Keep children away

Do not let children or visitors come into contact with the tool or extension cord. Supervision is required for those under 16 years of age.

5 Extension cords for outdoor use

When the tool is used outdoors, always use extension cords intended for outdoor use and marked accordingly.

6 Store idle tools

When not in use, Power Tools must be stored in a dry place and locked up securely, out of reach of children.

7 Dress properly

Do not wear loose clothing or jewellery. They can be caught in moving parts. Preferably wear rubber gloves and non-slip footwear when working outdoors. Wear protective hair covering to keep long hair out of the way.

8 Wear safety goggles

Also use a face or dust mask in case the operations produce dust or flying particles.

9 Beware of maximum sound pressure

Take appropriate measures for the protection of hearing if the sound pressure of 85 dB(A) is exceeded.

10 Secure workpiece

Use clamps or a vice to hold the workpiece. It is safer and it frees both hands to operate the tool.

11 Do not overreach

Keep proper footing and balance at all times.

12 Avoid unintentional starting

Do not carry the plugged-in tool with a finger on the switch. Be sure that the switch is released when plugging in.

13 Stay alert

Watch what you are doing. Use common sense. Do not operate the tool when you are tired.

14 Disconnect tool

Shut off power and wait for the tool to come to a complete standstill before leaving it unattended. Unplug the tool when not in use, before servicing or changing accessories.

15 Remove adjusting keys and wrenches

Always check that adjusting keys and wrenches are removed from the tool before operating the tool.

16 Use appropriate tool

The intended use is described in this instruction manual. Do not force small tools or attachments to do the job of a heavy-duty tool. The tool will do the job better and safer at the rate for which it was intended. **Warning!** The use of any accessory or attachment or performance of any operation with this tool, other than those recommended in this instruction manual may present a risk of personal injury.

17 Do not abuse cord

Never carry the tool by its cord or pull it to disconnect from the socket. Keep the cord away from heat, oil and sharp edges.

18 Maintain tools with care

Keep the tools in good condition and clean for better and safer performance. Follow the instructions for maintenance and changing accessories. Inspect the tool cords at regular intervals and, if damaged, have them repaired by an authorized DeWALT repair agent. Inspect the extension cords periodically and replace them if damaged. Keep all controls dry, clean and free from oil and grease.

19 Check for damaged parts

Before using the tool, carefully check it for damage to ensure that it will operate properly and perform

its intended function. Check for misalignment and seizure of moving parts, breakage of parts and any other conditions that may affect its operation. Have damaged guards or other defective parts repaired or replaced as instructed. Do not use the tool if the switch is defective. Have the switch replaced by an authorized DeWALT repair agent.

20 Have your tool repaired by an authorized DeWALT repair agent

This Power Tool is in accordance with the relevant safety regulations. To avoid danger, electric appliances must only be repaired by qualified technicians.

Package contents

The package contains:

- 1 Rotary hammer
- 1 Side handle
- 1 Depth adjustment rod
- 1 Tube of bit lubricant
- 1 Kitbox (K-models only)
- 1 Instruction manual
- 1 Exploded drawing

- Check for damage to the tool, parts or accessories which may have occurred during transport.
- Take the time to thoroughly read and understand this manual prior to operation.

Description (fig. A)

Your D25500/D25600 rotary hammer has been designed for professional hammer drilling and light chipping, chiselling and demolition applications.

- 1 On/off switch
- 2 Electronic speed and impact control dial
- 3 Service indicator LED (D25600)
- 4 Mode selector switch
- 5 Safety lock
- 6 Tool holder
- 7 Collar
- 8 Side handle
- 9 Side handle clamp wheel
- 10 Rear side handle position
- 11 Depth adjustment rod
- 12 Rear handle

Soft start feature

The soft start feature allows to build up speed slowly, thus preventing the drill bit from walking off the intended hole position when starting. The soft start feature also reduces the immediate torque reaction transmitted to the gearing and the operator if the hammer is started with the drill bit in an existing hole.

Torque limiting clutch

The torque limiting clutch reduces the maximum torque reaction transmitted to the operator in case of jamming of a drill bit. This feature also prevents the gearing and electric motor from stalling.

The torque limiting clutch has been factory-set and cannot be adjusted.

Electronic speed and impact control (fig. B)

The electronic speed and impact control (2) offers the following advantages:

- use of smaller accessories without risk of breakage
- minimised break-out when chiselling or drilling in soft or brittle materials
- optimal tool control for precise chiselling

Service indicator LED (fig. B)

The red service indicator LED (3) lights up when the carbon brushes are nearly worn out to indicate that the tool needs servicing. After a further 8 hours of use the motor will automatically be shut off.

The carbon brushes are not user-serviceable.

Take the tool to an authorized DeWALT repair agent.

Electrical safety

The electric motor has been designed for one voltage only. Always check that the power supply corresponds to the voltage on the rating plate.



Your DeWALT tool is double insulated in accordance with EN 50144; therefore no earth wire is required.

Using an extension cable

If an extension cable is required, use an approved extension cable suitable for the power input of this tool (see technical data). The minimum conductor size is 1.5 mm². When using a cable reel, always unwind the cable completely. Also refer to the table below.

Conductor size (mm ²)	Cable rating (Amperes)
0.75	6
1.00	10
1.50	15
2.50	20
4.00	25

Cable length (m)	7.5	15	25	30	45	60
------------------	-----	----	----	----	----	----

Voltage	Amperes	Cable rating (Amperes)					
120V~	0 - 2.0	6	6	6	6	6	10
	2.1 - 3.4	6	6	6	6	15	15
	3.5 - 5.0	6	6	10	15	20	20
	5.1 - 7.0	10	10	15	20	20	25
	7.1 -12.0	15	15	20	25	25	-
220V~	12.1 -20.0	20	20	25	-	-	-
	0 - 2.0	6	6	6	6	6	6
	2.1 - 3.4	6	6	6	6	6	6
	3.5 - 5.0	6	6	6	6	10	15
	5.1 - 7.0	10	10	10	10	15	15
7.1 -12.0	15	15	15	15	20	20	
12.1 -20.0	20	20	20	20	25	-	

Assembly and adjustment



Prior to assembly and adjustment always unplug the tool.

Inserting and removing SDS-max® accessories (fig. C1 & C2)

This machine uses SDS-max® drill bits and chisels (refer to the inset in fig. C2 for a cross-section of an SDS-max® bit shank).

- Clean and grease the bit shank.



Only apply a slight amount of lubricant to the bit shank. Do not apply lubricant to the machine.

- Insert the bit shank into the tool holder (6), and press and turn the bit slightly until the sleeve snaps into position.
- Pull on the bit to check if it is properly locked. The hammering function requires the bit to be able to move axially several centimetres when locked in the tool holder.

- To remove a bit pull back the tool holder locking sleeve (6) and pull the bit out of the tool holder.

Selecting the operating mode (fig. D1 & D2)

The tool can be used in two operating modes (fig. D1):



Hammer drilling: for concrete and masonry drilling operations.



Hammering only: for light chipping, chiselling and demolition applications. In this mode the tool can also be used as a lever to free a jammed drill bit.

- To select the operating mode, press the safety lock (5) and rotate the mode selector switch (4) until it is points to the symbol of the required mode.
- Release the safety lock and check that the mode selector switch is locked in place.

Indexing the chisel position

The chisel can be indexed and locked into 8 different positions (fig. D2).

- Rotate the mode selector switch (4) until it points upward.
- Rotate the chisel in the desired position.
- Set the mode selector switch (4) to the “hammering only” position.
- Twist the chisel until it locks in position.

Setting the electronic speed and impact control dial (fig. B)

- Turn the dial (2) to the desired level. The higher the number, the greater the speed and impact energy. With dial settings from “1” (low) to “5” (full power) the tool is extremely versatile and adaptable for many different applications. The required setting is a matter of experience. E.g.:
 - when chiselling or drilling in soft, brittle materials or when minimum break-out is required, set the dial to “1” or “2” (low);
 - when breaking or drilling in harder materials, set the dial to “5” (full power).

D25600

With dial settings from “1” to “7” the tool allows a further fine-adjustment to the choice of application.

Assembling and fitting the side handle (fig. E1 - E4)

The side handle (8) can be mounted in front or in rear position on either side of the machine to suit both RH- and LH-users.



Always operate the tool with the side handle properly assembled.

Mounting in front position (fig. E1 & E2)

- Snap the steel ring (16) over the collar (7) behind the tool holder (6). Squeeze both ends together, mount the bush (14) and insert the pin (15).
- Place the side handle clamp (13) and screw on the clamp wheel (9). Do not tighten.
- Screw the side handle (8) into the clamp wheel and tighten it.
- Rotate the side handle mounting assembly to the desired position. For drilling horizontally with a heavy drill bit, we recommend to place the side handle at an angle of approx. 20° for optimum control (fig. E2).
- Lock the side handle mounting assembly in place by tightening the clamp wheel (9).

Mounting in rear position (fig. E3 & E4)

The rear position is particularly useful when drilling overhead or down into a floor. Refer to fig. D4.

- Unscrew the side handle (8) and remove it from the front position. Leave the side handle mounting assembly in front position so that the depth adjustment rod can still be used.
- Screw the side handle directly into one of the rear side handle positions (10) on either side of the tool.

Setting the drilling depth (fig. F)

- Insert the required drill bit.
- Loosen the clamp nut (17) and fit the depth adjustment rod (11) through the hole in the side handle clamp.
- Push the drill bit into a surface at a right angle and adjust the depth adjustment rod (11) as shown.
- Tighten the clamp nut (17).

Instructions for use

- Always observe the safety instructions and applicable regulations.
- For your own safety, always use the tool with both hands.

- Be aware of the location of pipework and wiring.
- Apply only a gentle pressure to the tool (approx. 20 kg). Excessive force does not speed up drilling or chiselling but decreases tool performance and may shorten tool life.

Switching on and off (fig. A)

- To switch on the tool, press the on/off switch (1).
- To stop the tool, release the switch.

Drilling with a solid bit (fig. A)

- Insert the appropriate drill bit.
- Set the mode selector switch (4) to the “hammer drilling” position.
- Set the electronic speed and impact control dial (2).
- Fit and adjust the side handle (8).
- If necessary, set the drilling depth.
- Mark the spot where the hole is to be drilled.
- Place the drill bit on the spot and switch on the tool.
- Always switch off the tool when work is finished and before unplugging.

Drilling with a core bit (fig. A)

- Insert the appropriate core bit.
- Assemble the centerdrill into the core bit.
- Set the mode selector switch (4) to the “hammer drilling” position.
- Turn the electronic speed and impact control dial (2) to a medium or high speed setting.
- Fit and adjust the side handle (8).
- Place the centerdrill on the spot and switch on the tool. Drill until the core penetrates into the concrete approx. 1 cm.
- Stop the tool and remove the centerdrill. Place the core bit back into the hole and continue drilling. When drilling through a structure thicker than the depth of the core bit, break away the round cylinder of concrete or core inside the bit at regular intervals.
- To avoid unwanted breaking away of concrete around the hole, first drill a hole the diameter of the centerdrill completely through the structure. Then drill the cored hole halfway from each side.
- Always switch off the tool when work is finished and before unplugging.

Chipping and chiselling (fig. A)

- Insert the appropriate chisel and rotate it by hand to lock it into one of 8 positions.
- Set the mode selector switch (4) to the “hammering only” position.
- Set the electronic speed and impact control dial (2).
- Fit and adjust the side handle (8).
- Switch on the tool and start working.
- Always switch off the tool when work is finished and before unplugging.

Various types of SDS-max® drill bits and chisels are available as an option. Consult your dealer for further information on the appropriate accessories.

Maintenance

Your DeWALT Power Tool has been designed to operate over a long period of time with a minimum of maintenance. Continuous satisfactory operation depends upon proper tool care and regular cleaning.

Tool maintenance has to be carried out as soon as the indicator LED lights up.

- This machine is not user-serviceable. Take the tool to an authorised DeWALT repair agent after approximately 80 hours of use. If problems occur before this time contact an authorised DeWALT repair agent.



Lubrication

Your power tool requires no additional lubrication.



Cleaning

Keep the ventilation slots clear and regularly clean the housing with a soft cloth.



Unwanted tools and the environment

Take your tool to an authorized DeWALT repair agent where it will be disposed of in an environmentally safe way.

GUARANTEE

• 1 YEAR WARRANTY •

DEWALT warrants this product for one year from date of purchase against any defects that are due to faulty material or workmanship. This warranty does not include damage to the product resulting from accidents, misuse or repairs performed by non-authorized repair shops. We will repair or elect to replace the product free of charge. Note: Only in Mexico and Argentina, this warranty includes transportation charges originated within our service network. To honor this warranty, the product with this policy and/or proof of purchase is required.

• 30 DAY NO RISK SATISFACTION GUARANTEE •

If you are dissatisfied with the performance of this DEWALT tool within 30 days of purchase simply return it to the point of purchase with your sales receipt to replace it with a new identical or similar tool. To honor this warranty, the product and accessories must be returned in its original packaging.

• 1 YEAR OF FREE MAINTENANCE •

DEWALT will maintain the tool and replace worn parts, for free, any time during the first year after purchase. This contract covers general cleaning, grease, brushes and workmanship. To honor this warranty, bring the tool with your sales receipt to any authorized service center. Enclosed you will find the Service Centers where you will be able to make effective the guarantee policy and to acquire parts, refractions and original accessories.

ROTOMARTILLO SDS D25500/D25600

¡Enhorabuena!

Usted ha optado por una herramienta DeWALT. Muchos años de experiencia y una gran asiduidad en el desarrollo y la innovación de sus productos han convertido DeWALT en un socio muy fiable para el usuario profesional.

Información técnica

		D25500	D25600
Voltaje	120V~	1050W	1150W
	220V~	1050W	1150W
Energía del impacto	(J)	1 - 9	1 - 10
Capacidad de perforación en hormigón:			
- broca sólida	mm	12 - 40	12 - 45
- barrena cilíndrica hueca	mm	40 - 90	40 - 100
Capacidad de perforación óptima en hormigón:			
- broca sólida	mm	18 - 30	20 - 38
Posiciones del cincel		8	8
Portaherramienta		SDS-max®	SDS-max®
Peso	kg	6.5	6.6

En el presente manual figuran los pictogramas siguientes:



Indica peligro de lesiones, de accidentes mortales o de averías en la herramienta en caso de no respeto de las instrucciones en este manual.



Indica tensión eléctrica.

Declaración CE de conformidad



D25500/D25600

DeWALT certifica que estas herramientas eléctricas han sido construidas de acuerdo a las normas siguientes: 98/37/CEE, 89/336/CEE, 73/23/CEE, EN 50144, EN 55014-2, EN 55014-1, EN 61000-3-2 & EN 61000-3-3.

Para información más detallada, contacte a DeWALT, véase abajo o consulte el dorso de este manual.

El nivel de la presión acústica de acuerdo con las normas 86/188/CEE & 98/37/CEE, medida de acuerdo con EN 50144:

		D25500	D25600
LpA (presión acústica)	dB(A)*	95	95
LWA (potencia acústica)	dB(A)	103,5	103,5

* al oído del usuario



Tome medidas adecuadas para la protección de los oídos.

Valor cuadrático medio ponderado en frecuencia de la aceleración según EN 50144:

	D25500	D25600
	9,7 m/s ²	9,8 m/s ²

Director Engineering and Product Development
Horst Großmann

DeWALT, Richard-Klinger-Straße 40,
D-65510, Idstein, Alemania

Instrucciones de seguridad

Al utilizar Herramientas Eléctricas, observe las reglas de seguridad en vigor en su país, a fin de reducir el riesgo de descarga eléctrica, de lesiones y de incendio. Lea las instrucciones de seguridad siguientes antes de utilizar este producto.

¡Conserve bien estas instrucciones de seguridad!

Generalidades

1 Mantenga limpia el área de trabajo

Un área o un banco de trabajo en desorden aumentan el riesgo de accidentes.

2 Tenga en cuenta el entorno del área de trabajo

No exponga las Herramientas Eléctricas a la humedad. Procure que el área de trabajo esté bien iluminada. No utilice Herramientas Eléctricas en la proximidad de líquidos o gases inflamables.

3 Protéjase contra las descargas eléctricas

Evite el contacto del cuerpo con las superficies conectadas a tierra (p. ej. tuberías, radiadores, cocinas eléctricas y refrigeradores). Para aplicaciones de uso extremas (por ej. humedad elevada formación de polvo metálico, etc.), se puede aumentar la seguridad eléctrica a través de intercalar un transformador de separación o un interruptor de protección de corriente de defecto (FI).

4 ¡Mantenga alejados a los niños!

No permita que los niños u otras personas toquen la herramienta o el cable de prolongación. En caso de uso por menores de 16 años, se requiere supervisión.

5 Cables de prolongación para el exterior

Al trabajar fuera, utilice siempre cables de prolongación destinados al uso exterior y marcados en consecuencia para ello.

6 Guarde las herramientas que no utiliza

Las Herramientas Eléctricas que no se utilizan, deben estar guardadas en un lugar seco, cerrado y fuera del alcance de los niños.

7 Vista ropa de trabajo apropiada

No lleve vestidos anchos ni joyas. Estos podrían ser atrapados por piezas en movimiento. Para trabajos al exterior, se recomienda llevar guantes de goma y calzado de suela antideslizante. Si tiene el pelo largo, téngalo recogido y cubierto.

8 Lleve gafas de protección

Utilice también una mascarilla si el trabajo ejecutado produce polvo u otras partículas volantes.

9 Respete el nivel máximo de la presión acústica

Tome medidas adecuadas para la protección de los oídos cuando la presión acústica exceda el valor de 85 dB(A).

10 Sujete bien la pieza de trabajo

Utilice abrazaderas o un torno para sujetar la pieza de trabajo. Es más seguro que sujetarla con la mano y le permite utilizar ambas manos para manejar la herramienta.

11 No alargue demasiado su radio de acción

Mantenga un apoyo firme sobre el suelo y conserve el equilibrio en todo momento.

12 Evite un arranque involuntario

No mantenga el dedo en el interruptor al transportar la herramienta enchufada. Asegúrese de que el interruptor esté en posición de parada al enchufar la herramienta.

13 Esté siempre alerta

Mire lo que está haciendo. Use el sentido común. No maneje la herramienta cuando está cansado.

14 Desenchufe la herramienta

Desconecte la herramienta y espere que esté completamente parada antes de dejarla sin vigilar. Desenchufe la herramienta cuando no se utilice y antes de proceder al mantenimiento o sustituir accesorios.

15 Retire las llaves de maniobra

Antes de poner la herramienta en marcha, asegúrese de que las llaves y utensilios de reglaje hayan sido retirados.

16 Utilice la herramienta adecuada

En este manual, se indica para qué uso está destinada la herramienta. No utilice herramientas o dispositivos acoplables de potencia demasiado débil para ejecutar trabajos pesados. La herramienta funcionará mejor y con mayor seguridad al ser utilizada de acuerdo con sus características técnicas. ¡ATENCIÓN! El uso de accesorios o acoplamientos, o el uso de la herramienta misma distintos de los recomendados en este manual de instrucciones, puede dar lugar a lesiones de personas.

17 Cuide el cable de alimentación

No lleve la herramienta por el cable, ni tire del cable para desenchufar la herramienta. Proteja el cable del calor, del aceite y de las aristas vivas.

18 Mantenga las herramientas asiduamente

Mantenga sus herramientas afiladas y limpias para trabajar mejor y más seguro. Siga las instrucciones para el mantenimiento y la sustitución de accesorios. Verifique los cables de las herramientas con regularidad y, en caso de avería, llévelos a un Centro de Servicio DeWALT para que sean reparados. Inspeccione los cables de prolongación periódicamente y sustitúyalos cuando presenten defectos. Mantenga todos los mandos secos, limpios y libres de aceite y grasa.

19 Comprobar que no haya partes averiadas

Antes de utilizar la herramienta, compruebe que no haya averías, a fin de asegurar que funcionará correctamente y sin problemas. Compruebe que no haya desalineamiento o enganchamiento de piezas en movimiento, ni roturas de piezas, ni accesorios mal montados, ni cualquier otro defecto que pudiera perjudicar al buen funcionamiento de la herramienta. Haga reparar o sustituir los dispositivos de seguridad u otros componentes defectuosos según las instrucciones. No utilice la herramienta cuando el interruptor esté defectuoso. Haga sustituir el interruptor en un Centro de Servicio DeWALT.

20 Haga reparar su herramienta en un Centro de Servicio DeWALT

Esta Herramienta Eléctrica cumple con las reglas de seguridad en vigor. Para evitar situaciones peligrosas, la reparación de Herramientas Eléctricas debe ser efectuada únicamente por un técnico competente.

Verificación del contenido del embalaje

El paquete contiene:

- 1 Rotomartillo SDS con percusión
- 1 Empuñadura lateral
- 1 Tope de profundidad
- 1 Tubo de lubricante para brocas
- 1 Caja de transporte (solo modelos K)
- 1 Manual de instrucciones
- 1 Dibujo despiezado

- Compruebe si la herramienta, piezas o accesorios han sufrido algún daño durante el transporte.
- Tómese el tiempo necesario para leer y comprender este manual antes de utilizar la herramienta.

Descripción (fig. A)

Este rotomartillo D25500/D25600 ha sido diseñado para aplicaciones profesionales, tales como las de perforar, escodar (ligero), cincelar y demoler.

- 1 Interruptor de marcha/parada
- 2 Control electrónico de velocidad e impacto
- 3 LED indicador de servicio (D25600)
- 4 Interruptor selector de modo
- 5 Bloqueo de seguridad
- 6 Portaherramienta
- 7 Collar
- 8 Empuñadura lateral
- 9 Pomo de fijación de empuñadura lateral
- 10 Posición trasera para empuñadura
- 11 Tope de profundidad
- 12 Empuñadura trasera

Arranque suave

El arranque suave permite una aceleración suave, evitando así que la broca se desvíe de la posición prevista a la puesta en marcha. Esta característica reduce también el par de torsión transmitido al engranaje y al usuario cuando el martillo es activado con la broca en un agujero ya existente.

Embrague limitador de torsión

El embrague limitador de torsión reduce el par de torsión máximo transmitido al usuario al quedarse atascada una broca. Esta característica impide también el calado del engranaje y del motor eléctrico. El embrague limitador de torsión es ajustado en la fábrica y no puede ser ajustado luego por el usuario.

Control electrónico de velocidad y de impacto (fig. B)

El control electrónico de velocidad y de impacto (2) ofrece las ventajas siguientes:

- utilización de accesorios más pequeños sin riesgo de rotura
- reducción de la rotura en el cincelado o taladrado de materiales blandos o frágiles
- control óptimo de la herramienta para cincelado de precisión

LED indicador de servicio (fig. B)

El indicador rojo de servicio (3) se enciende cuando las escobillas de carbono están casi desgastadas, para indicar que la herramienta necesita ser revisada.

Después de 8 horas de operación, el motor se apagará automáticamente. Las escobillas de carbono no pueden ser sustituidas por el usuario. Confíe la herramienta al servicio técnico autorizado DeWALT.

Seguridad eléctrica

El motor eléctrico ha sido diseñado para un solo voltaje. Compruebe siempre que el voltaje de la red corresponde al valor indicado en la placa de características.



Su herramienta DeWALT tiene doble aislamiento, conforme a la norma EN 50144; por consiguiente, no se requiere conexión a tierra.

Sustitución de cable o enchufe

Al sustituir el cable o el enchufe hágalo con sumo cuidado: un enchufe con conectores de cobre desprotegidos es peligroso si se conecta a una toma de corriente activa.

Utilización de un cable de prolongación

En caso de que sea necesario utilizar un cable de prolongación, deberá ser un cable de prolongación aprobado, adecuado para la potencia de esta herramienta (véanse las características técnicas). La sección mínima de conductor es de 1,5 mm². Si utiliza un carrete de cable, desenrolle siempre el cable completamente.

Montaje y ajustes



Desenchufe la herramienta antes de proceder con el montaje y los ajustes.

Inserción y desmontaje de los accesorios SDS-max® (fig. C1 & C2)

Esta máquina utiliza las brocas y los cinceles de SDS-max® (véase la inserción en la fig. C2 para un corte transversal de una cola de broca SDS-max®).

- Limpie y engrase el vástago de la broca.



Aplique sólo una ligera cantidad de lubricante al vástago de la broca.
No aplique lubricante a la máquina.

- Introduzca el vástago de la broca en el portaherramientas (6) y presione y gire la broca

ligeramente hasta que el casquillo quede acoplado en su posición.

- Tire de la broca para verificar si está bien sujeta. Para la función de percusión es preciso que la broca pueda moverse axialmente varios centímetros una vez sujeta en el portaherramientas.
- Para desmontar una broca, retire el manguito sujetador del portaherramientas (6) y saque la broca del portaherramientas.

Seleccionar el modo de operación (fig. D1 & D2)

La herramienta puede usarse en dos modos operativos (fig. D1):



Perforación de percusión: para operaciones de taladro de hormigón y ladrillos.



Sólo percusión: para aplicaciones de escodado ligero, cincelado y demolición. En este modo, la herramienta se puede utilizar también como palanca para sacar una broca atascada.

- Para seleccionar el modo de operación, presione el bloqueo de seguridad (5) y gire el interruptor selector de modo (4) hasta que apunte al símbolo del modo requerido.
- Suelte el bloqueo de seguridad y compruebe que el interruptor selector de modo esté bloqueado en su posición.

Ajuste de la posición del cincel

El cincel se puede ajustar y fijar en 8 posiciones diferentes (fig. D2).

- Gire el interruptor selector de modo (4) hasta que apunte hacia arriba.
- Gire el cincel en la posición deseada.
- Ajuste el interruptor selector de modo (4) a la posición "sólo percusión".
- Gire el cincel para que quede bloqueado en su posición.

Ajuste del control electrónico de velocidad y de impacto (fig. B)

- Gire el control (2) al nivel adecuado. Cuanto más alto el número, tanto mayores serán la velocidad y la energía del impacto. Con ajustes desde "1" (mínimo) hasta "5" (máximo), la herramienta es extremadamente versátil y adaptable para muchas aplicaciones diferentes. El conocimiento de los valores adecuados se adquiere con la experiencia.

Ej.:

- cuando cincele o taladre materiales blandos y frágiles o cuando se requiera una rotura mínima, sitúe el control en "1" ó "2" (mínimo);
- cuando rompa o taladre materiales duros, utilice la posición "5" (máximo).

D25600

Mediante los ajustes de "1" a "7", la herramienta permite un ajuste fino según la aplicación elegida.

Montar la empuñadura lateral (fig. E1 - E4)

La empuñadura lateral (8) puede montarse tanto en la parte frontal como en la trasera y en ambos lados de la máquina, para acomodar tanto los usuarios diestros como los zurdos.



Utilice siempre la herramienta con la empuñadura lateral debidamente montada.

Montaje en posición frontal (fig. E1 & E2)

- Pase la mordaza de acero (16) por encima del collar (7) detrás del portaherramientas (6). Junte ambos extremos, apretándolos; monte el pasador (14) e inserte la clavija (15).
- Coloque la empuñadura lateral (13) y atornille el pomo de fijación (9). No apriete demasiado.
- Atornille la empuñadura lateral (8) en el manguito sujetador, y apriétela.
- Gire el soporte de la empuñadura lateral hasta alcanzar la posición deseada. Para un control óptimo en perforaciones horizontales con una broca pesada, coloque la empuñadura lateral en un ángulo de aprox. 20° (fig. E).
- Para bloquear el conjunto de montaje de la empuñadura lateral, apriete el pomo de fijación (9).

Montaje en posición trasera (fig. E3 & E4)

Esta posición resulta de gran utilidad para perforaciones ejecutadas por encima de la cabeza, o para perforaciones en el suelo. Véase la fig. D4.

- Desenrosque la empuñadura lateral (8) y quítela de la posición frontal. Deje el soporte de la empuñadura lateral en la posición frontal, de modo que aún se pueda utilizar la varilla de ajuste de la profundidad.
- Enrosque la empuñadura lateral directamente en una de las posiciones traseras para la empuñadura lateral (10) en cualquier lado de la herramienta.

Ajuste de la profundidad de perforación (fig. F)

- Inserte la broca apropiada en el portaherramientas.
- Afloje la tuerca de la mordaza (17) y pase la varilla para el ajuste de la profundidad (11) por el agujero en la mordaza de la empuñadura lateral.
- Introduzca la broca perpendicularmente en alguna superficie y ajuste la varilla de ajuste (11) como indicado.
- Apriete la tuerca de la mordaza (17).

Instrucciones para el uso



- Respete siempre las instrucciones de seguridad y las normas de aplicación.
- Por su propia seguridad, utilice siempre la herramienta con las dos manos.
- Infórmese sobre la ubicación de tuberías y de cables eléctricos.
- Sólo se debe ejercer una ligera presión sobre la herramienta (aprox. 20 kg). Una presión excesiva no acelera el taladrado o cincelado, sino que reduce la efectividad de la herramienta e incluso puede reducir su vida útil.

Encendido y apagado (fig. A)

- Para encender la herramienta, presione el interruptor on/off (1).
- Para parar la herramienta, suelte el conmutador.

Perforación con una broca sólida (fig. A)

- Inserte la broca apropiada.
- Ajuste el interruptor selector de modo (4) a la posición "perforación de percusión".
- Ajuste el control electrónico de velocidad e impacto (2).

- Monte y ajuste la empuñadura lateral (8).
- Si es necesario, ajuste la profundidad de perforación.
- Marque el punto a ser perforado.
- Coloque la broca en el punto y encienda la herramienta.
- Siempre se debe desconectar la herramienta nada más terminado el trabajo y antes de desenchufarla.

Perforación con una barrena cilíndrica hueca (fig. A)

- Inserte la broca apropiada.
- Monte la broca de centrar en la barrena cilíndrica hueca.
- Ajuste el interruptor selector de modo (4) a la posición "perforación de percusión".
- Coloque el control electrónico de velocidad e impacto (2) en posición de velocidad mediana o alta.
- Monte y ajuste la empuñadura lateral (8).
- Coloque la broca de centrar en el punto y encienda la herramienta. Perfore hasta que la barrena haya penetrado en el hormigón hasta aprox. 1 cm.
- Pare la herramienta y quite la broca de centrar. Vuelva a colocar la barrena cilíndrica hueca en el agujero y siga perforando.
- Cuando se perfora una estructura que sea más espesa que la profundidad de la barrena hueca, se debe sacar con frecuencia el cilindro de hormigón que se acumula en la barrena hueca. Para evitar que el hormigón se rompa alrededor del orificio, perfore primero un agujero con el diámetro de la broca de centrar que atraviese completamente la estructura. Luego se puede perforar con barrena hueca en ambos lados de la estructura.
- Siempre se debe desconectar la herramienta nada más terminado el trabajo y antes de desenchufarla.

Escodar y cincelar (fig. A)

- Inserte el cincel apropiado y gírelo manualmente hasta bloquearlo en una de las 8 posiciones.
- Ajuste el interruptor selector de modo (4) a la posición "sólo percusión".
- Ajuste el control electrónico de velocidad e impacto (2).
- Monte y ajuste la empuñadura lateral (8).
- Encienda la herramienta y empiece a trabajar.
- Siempre se debe desconectar la herramienta nada más terminado el trabajo y antes de desenchufarla.

Varios tipos de brocas y cinceles de SDS-max® están disponibles como accesorios opcionales. Consulte a su proveedor si desea información más detallada sobre los accesorios apropiados.

Mantenimiento

Su herramienta eléctrica DeWALT ha sido diseñada para funcionar mucho tiempo con un mínimo de mantenimiento. El funcionamiento satisfactorio depende del buen cuidado de la herramienta y de una limpieza frecuente.

El mantenimiento de la herramienta debe efectuarse en cuanto se enciendan los LED indicadores.

- Esta máquina no está diseñada para que la repare el usuario. Lleve la herramienta a un agente DeWALT autorizado después de unas 80 horas de operación. En caso de problemas antes del término de dicho plazo, póngase en contacto con un agente DeWALT autorizado.



Lubricación

Su herramienta eléctrica no requiere lubricación adicional.



Limpieza

Evite que se obturen las ranuras de ventilación y limpie el exterior con regularidad utilizando un paño suave.



Herramientas desechadas y el medio ambiente

Lleve la herramienta vieja a un Centro de Servicio DeWALT, donde será eliminada sin efectos perjudiciales para el medio ambiente.

GARANTÍA

• 1 AÑO DE GARANTIA •

Este producto está garantizado por 1 año a partir de la fecha de compra contra cualquier defecto en su funcionamiento, así como en materiales y mano de obra empleada en su fabricación. Esta garantía no incluye daños al producto ocasionados por accidentes, mal uso, o reparaciones por talleres no autorizados por Black & Decker. Nuestra garantía incluye la reparación o reposición del producto y/o componentes sin cargo alguno para el cliente incluyendo mano de obra. Nota: Solamente en México y Argentina, esta garantía incluye los gastos de transportación razonablemente erogados que se originen dentro de su red de servicio nacional. Para hacer efectiva esta garantía deberá presentar su herramienta y esta póliza sellada por el establecimiento comercial donde se adquirió el producto y/o la factura de compra.

• 30 DIAS DE SATISFACCION GARANTIZADA •

Si durante los primeros 30 días posteriores a la fecha de compra Ud. No se encuentra satisfecho con la herramienta DEWALT debido a falla de funcionamiento, o si ésta no satisface sus necesidades de trabajo; Ud. podrá canjear esta herramienta por una igual o similar a la adquirida. Para hacer válida esta garantía deberá presentar su factura de compra y devolver el producto y accesorios en su empaque original.

• 1 AÑO DE MANTENIMIENTO •

DEWALT garantiza el mantenimiento gratuito del producto que acaba de adquirir por 1 año a partir de la fecha de compra. Dicho mantenimiento cubre: limpieza general, cambio de grasa, cambio de carbones y mano de obra gratuita. La garantía de mantenimiento gratuito podrá efectuarse solamente en los centros de servicio autorizados con la presentación de la factura original de compra.

Anexo encontrará una relación de centros de servicio donde podrá hacer efectiva su garantía y adquirir partes, refracciones y accesorios originales.

MARTELO ELECTROPNEUMÁTICO SDS D25500/D25600

Parabéns!

Escolheu uma ferramenta DeWALT. Muitos anos de experiência, um desenvolvimento contínuo de produtos e o espírito de inovação fizeram da DeWALT um dos parceiros mais fiáveis para os utilizadores profissionais.

Dados técnicos

	D25500	D25600
Voltagem	120V~ 1050W	1150W
	220V~ 1050W	1150W
Energia de impacto (J)	1 - 9	1 - 10
Gama de perfuração total em betão:		
- brocas sólidas	mm 12 - 40	12 - 45
- brocas de caixa	mm 40 - 90	40 - 100
Gama de perfuração máxima em betão:		
- brocas sólidas	mm 18 - 30	20 - 38
Posições do cinzel	8	8
Suporte de ferramenta	SDS-max®	SDS-max®
Peso	kg 6,5	6,6

Os seguintes símbolos são usados neste manual:



Indica risco de ferimentos, perda de vida ou danos à ferramenta no caso do não-cumprimento das instruções deste manual.



Indica tensão eléctrica.

Declaração CE de conformidade



D25500/D25600

A DeWALT declara que estas ferramentas eléctricas foram concebidas em conformidade com 98/37/CEE, 89/336/CEE, 73/23/CEE, EN 50144, EN 55014-2, EN 55014-1, EN 61000-3-2 & EN 61000-3-3.

Para mais informações, queira consultar a DeWALT no endereço abaixo ou a parte de trás do presente manual.

De acordo com as Directivas 86/188/CEE & 98/37/CEE da Comunidade Europeia, o nível de potência sonora, medido de acordo com a EN 50144, é:

	D25500	D25600
LpA (pressão sonora) dB(A)*	95	95
LWA (potência sonora) dB(A)	103,5	103,5

* junto ao ouvido do operador



Use protectores auditivos.

Valor médio quadrático ponderado em frequência de aceleração conforme à EN 50144:

	D25500	D25600
	9,7 m/s ²	9,8 m/s ²

Director Engineering and Product Development
Horst Großmann

DeWALT, Richard-Klinger-Straße 40,
D-65510, Idstein, Alemanha

Instruções de segurança

Quando usar Ferramentas Eléctricas, cumpra sempre os regulamentos de segurança aplicáveis no seu país para reduzir o risco de incêndio, de choque eléctrico e de ferimentos. Leia as seguintes instruções de segurança antes de tentar utilizar este produto.

Guarde estas instruções!

Instruções gerais

1 Mantenha a área de trabalho arrumada

As mesas e áreas de trabalho desarrumadas podem provocar ferimentos.

2 Cuide do ambiente da área de trabalho

Não exponha Ferramentas Eléctricas à humidade. Ilumine bem as áreas de trabalho. Não utilize Ferramentas Eléctricas em presença de líquidos ou gases inflamáveis.

3 Tenha cuidado com os choques eléctricos

Evite o contacto directo com superfícies ligadas à terra (p.ex. tubos, radiadores, fogões, frigoríficos). Nos casos de serviço sob condições extremas (tais como humidade elevada, execução de soldadura, etc.) a segurança eléctrica pode ser aumentada intercalando-se um transformador de separação ou um disjuntor de corrente de defeito (FI).

4 Mantenha as crianças afastadas

Não deixe as crianças ou visitantes tocarem na nem no cabo de extensão. As crianças com menos de 16 anos de idade devem ser vigiadas.

5 Cabos para uso exterior

Quando utilizar ferramentas, empregue sempre cabos previstos para uso ao livre exterior.

6 Guarde as ferramentas que não estiverem em uso

Quando não forem utilizadas as Ferramentas Eléctricas, estas devem ser guardadas num lugar seco, fechado à chave e fora do alcance das crianças.

7 Vista-se de maneira apropriada

Não use vestuário largo nem jóias porque podem prender-se numa peça móvel. Quando se trabalha no exterior, é aconselhável o uso de luvas de borracha e de calçado antiderrapante. Cubra o cabelo se tiver cabelo comprido.

8 Utilize óculos de protecção

Utilize também uma máscara no caso de os trabalhos produzirem pó.

9 Tenha cuidado com o ruído

Tome medidas de protecção apropriadas se o nível do ruído exceder 85 dB(A).

10 Segure firmemente as peças de trabalho

Utilize grampos ou um torno para segurar as peças a trabalhar. É mais seguro e permite manter as duas mãos livres para trabalhar.

11 Verifique a sua posição

Mantenha sempre o equilíbrio.

12 Evite arranques acidentais

Não transporte uma ferramenta ligada à rede com o dedo colocado no interruptor. Verifique se o interruptor está desligado ao ligar a ferramenta à rede.

13 Esteja atento

Dê atenção ao que vai fazendo. Trabalhe com precaução. Não utilize ferramentas quando estiver cansado.

14 Desligue a ferramenta

Desligue e espere até a ferramenta parar completamente antes de a deixar sem vigilância. Tire o plugue da tomada quando a ferramenta não estiver a ser utilizada, antes de proceder à manutenção ou à substituição de acessórios.

15 Tire as chaves de aperto

Verifique sempre se as chaves de aperto foram retiradas da ferramenta antes de a utilizar.

16 Empregue as ferramentas apropriadas

Este manual indicam as aplicações da ferramenta. Não force pequenas ferramentas ou acessórios para fazer o trabalho de uma ferramenta forte. A ferramenta trabalhará melhor e de uma maneira mais segura se for utilizada para o efeito indicado. AVISO O uso de qualquer acessório ou o uso da própria ferramenta, além do que é recomendado neste manual de instruções pode dar origem a risco de ferimento.

17 Não force o cabo eléctrico

Nunca transporte a ferramenta pelo cabo e não puxe pelo cabo para tirar o plugue da tomada. Proteja o cabo contra o calor e evite o contato com óleo e objectos cortantes.

18 Cuide das suas ferramentas com atenção

Para uma maior rentabilidade, mantenha as ferramentas sempre afinadas e limpas.

Cumpra as instruções relativas à manutenção e substituição dos acessórios. Verifique regularmente os cabos da ferramenta e, no caso de estes estarem danificados, mande-os consertar em um Centro de Assistência Técnica DeWALT. Verifique periodicamente os cabos de extensão e substitua-os se estiverem danificados. Mantenha os comandos secos, limpos e sem óleo ou gordura.

19 Verifique as peças danificadas

Antes de utilizar a ferramenta, verifique cuidadosamente se esta apresenta sinais de danos de modo a assegurar um bom funcionamento e a obtenção do resultado desejado. Verifique o bom alinhamento e fixação das peças móveis e confirme a ausência de ruptura das peças. Verifique ainda se a montagem foi bem feita ou se existe qualquer outra condição que possa impedir que a ferramenta funcione bem. Mande consertar ou substituir os dispositivos de proteção ou outras peças danificadas conforme as instruções. Não utilize a ferramenta se o interruptor não estiver a funcionar. Mande substituir o interruptor num Centro de Assistência Técnica DeWALT.

20 Mande consertar a sua ferramenta por um Centro de Assistência Técnica DeWALT

Esta Ferramenta Elétrica está conforme às regulamentações de segurança que lhe dizem respeito. Para evitar qualquer perigo, a reparação de ferramentas elétricas deverá estar exclusivamente a cargo de técnicos qualificados.

Verificação do conteúdo da embalagem

A embalagem contém:

- 1 Martelo electropneumático SDS
- 1 Punho lateral
- 1 Batente de profundidade
- 1 Embalagem com lubrificante
- 1 Caixa de transporte (apenas modelos K)
- 1 Manual de instruções
- 1 Vista dos componentes destacados

- Verifique se a ferramenta, as peças ou os acessórios apresentam sinais de danos que possam ter ocorrido durante o transporte.
- Antes de utilizar a ferramenta, dedique o tempo necessário à leitura e compreensão deste manual.

Descrição (fig. A)

O seu martelo electropneumático D25500/D25600 foi concebido para aplicações profissionais de perfuração com impacto e de trabalhos de rompimento e de demolição mais leves.

- 1 Interruptor on/off
- 2 Mostrador de controle eletrônico de impacto e de velocidade
- 3 LED indicador de assistência (D25600)
- 4 Selector de modo
- 5 Trava de segurança
- 6 Mandril
- 7 Pescoço
- 8 Punho lateral
- 9 Fixação do punho lateral
- 10 Posição do punho lateral traseiro
- 11 Batente de profundidade
- 12 Punho traseiro

Função de arranque suave

A função de arranque suave permite que a velocidade aumente lentamente evitando que a broca se desloque da posição de furo pretendida, quando a máquina começa a funcionar. A função de arranque lento também reduz o contragolpe transmitido às engrenagens e ao operador no caso do martelo começar a funcionar com a broca colocada num furo.

Embreagem limitadora de torque

A embreagem limitadora de torque evita o contragolpe no caso de bloqueio da broca. Esta característica também impede que as engrenagens e o motor elétrico parem repentinamente. A embreagem limitadora de torque possui uma regulagem de fábrica e não pode ser ajustada.

Controle eletrônico de velocidade e de impacto (fig. B)

O controle eletrônico de velocidade e de impacto (2) proporciona as seguintes vantagens:

- utilização de acessórios de pequenas dimensões, sem o risco de se partirem;
- minimização das quebras durante o rompimento ou perfuração de materiais moles ou quebradiços;
- um controlo óptimo da ferramenta para uma operação de rompimento precisa.

LED indicador de assistência (fig. B)

O LED (3) vermelho indicador de assistência acende quando as escovas de carvão estão ficando gastas, informando desta forma que a ferramenta precisa fazer uma revisão. Aproximadamente 8 horas de utilização após o LED acender, o motor pára automaticamente. As escovas de carvão não podem ser reparadas pelo utilizador. Leve a ferramenta a um agente de reparação autorizado DeWALT.

Segurança eléctrica

O motor eléctrico foi concebido para uma única tensão. Verifique sempre se a tensão da rede corresponde à voltagem indicada na placa de identificação.



A sua ferramenta DeWALT tem duplo isolamento em conformidade com o estipulado na norma EN 50144, não sendo, por isso, necessária uma ligação à terra.

Substituição do cabo ou plugue

Ao substituir o cabo ou plugue, elimine-os de forma segura; um plugue com condutores de cobre a descoberto é perigosa quando entra em contato com uma tomada com corrente.

Extensões

Se fôr necessário um fio de extensão, use um cabo especial, conveniente para a corrente desta ferramenta (Veja os dados técnicos). A dimensão mínima do condutor é 1,5 mm². No caso de se usar uma bobina, desenrole o cabo todo.

Montagem e afinação



Antes da montagem de acessórios e da afinação retire sempre o plugue da tomada.

Como inserir e retirar os acessórios SDS-max® (fig. C1 & C2)

Esta máquina utiliza brocas e acessórios SDS-max® (consulte a gravura na fig. C2 para corte transversal de uma haste de broca SDS-max®).

- Limpe e lubrifique a haste da broca.



Aplique apenas uma pequena quantidade de lubrificante na haste da broca.

Não aplique lubrificante na máquina.

- Insira a haste da broca no mandril (6) e gire-o levemente até que encaixe no mandril.
- Puxe a broca para verificar se está corretamente fixada. Na função de impacto, a broca deverá deslocar-se axialmente alguns centímetros, quando estiver fixada no suporte de ferramentas.
- Para retirar a broca puxe para trás o mandril (6) e tire a broca de dentro do suporte.

Seleção do modo de operação (fig. D1 & D2)

Os berbequins de percussão podem ser utilizados em dois modos de operação (fig. D1):



Perfuração com impacto: para perfuração em concreto e alvenaria.



Impacto: para aplicações ligeiras de rompimento e de demolição.

A ferramenta pode também ser utilizada neste modo como uma alavanca para soltar uma broca encravada.

- Para seleccionar o modo de funcionamento, pressione o fecho de segurança (5) e rode o seletor de modo (4) até ao símbolo do modo desejado.
- Solte o fecho de segurança e verifique se o seletor de modo está fixe na respectiva posição.

Determinação da posição da talhadeira

Pode ser seleccionado, ajustada e travada em 8 posições diferentes (fig. D2).

- Rode o seletor de modo (4) até ficar virado para cima.
- Rode a talhadeira para a posição requerida.
- Regule o seletor de modo (4) para a posição "impacto".
- Rode a talhadeira até à respectiva posição.

Regulagem do mostrador de controle eletrônico de velocidade e de impacto (fig. B)

- Rode o mostrador (2) para o nível desejado. Quanto mais alto for o número, maior será a energia de impacto e velocidade. As regulagens do mostrador

que vão desde “1” (baixo) até “5” (potência máxima), tornam esta ferramenta extremamente flexível e de fácil adaptação a muitas e variadas aplicações. A regulagem requerida é apenas uma questão de experiência.

Por exemplo:

- para romper ou partir azulejos ou materiais moles e quebradiços ou quando se exige a taxa de quebra mínima, regule o mostrador na posição “1” ou “2” (baixo);
- para quebrar ou demolir materiais mais duros, regule o mostrador no “5” (potência máxima).

Montagem e encaixe do punho lateral (fig. E1 - E4)

O punho lateral (8) pode ser montado à frente ou atrás nos dois lados da máquina para se adaptar a utilizadores canhotos ou destros.



Utilize a máquina sempre com o punho lateral montado corretamente.

Montagem à frente (fig. E1 & E2)

- Encaixe o anel de aço (16) no pescoço (7) atrás do encabadouro (6). Aperte as duas extremidades, monte o eixo dupla rosca (14) e insira o pino (15).
- Coloque o grampo do punho lateral (13) e aparafuse fixação (9). Não aperte.
- Aparafuse o punho lateral (8) à roda de grampo e aperte-o.
- Rode o conjunto de montagem do punho lateral para a posição desejada. Para uma perfuração horizontal com uma broca reforçada, coloque o punho lateral num ângulo de aproximadamente 20° para máximo controle (fig. E).
- Prenda o conjunto de fixação do punho lateral no devido lugar apertando o parafuso (9).

Montagem atrás (fig. E3 & E4)

A montagem atrás torna-se especialmente útil quando se está a fazer furos ao alto ou no chão. Consulte a fig. D4.

- Desaparafuse o punho lateral (8) e remova-o da parte da frente. Deixe o conjunto de montagem do punho lateral à frente para se poder continuar a utilizar a haste de afinação de profundidade.
- Aparafuse o punho lateral directamente num dos orifícios traseiros do punho lateral (10) nos dois lados da ferramenta.

Regulagem da profundidade do furo (fig. F)

- Insira a broca necessária.
- Desaperte a porca de fixação (17) e encaixe a haste de afinação de profundidade (11) no furo do grampo do punho lateral.
- Enfie a broca numa superfície, em ângulo reto, e ajuste a profundidade da haste de afinação (11) conforme indicado.
- Aperte a porca de fixação (17).

Modo de emprego



- Cumpra sempre as instruções de segurança e os regulamentos aplicáveis.
- Para a sua própria segurança, utilize sempre a ferramenta com ambas as mãos.
- Esteja informado sobre a localização de tubos e de fios elétricos dentro da parede.
- Aplique apenas uma ligeira pressão na ferramenta. Uma força excessiva não vai acelerar a operação de perfuração ou de rompimento, mas sim diminuir o rendimento da ferramenta podendo diminuir o seu período de vida útil.

Ligar e desligar (fig. A)

- Para ligar a máquina, aperte o interruptor de ligar/desligar (1).
- Para desligar a máquina, liberte o interruptor.

Perfuração com uma broca (fig. A)

- Insira a broca apropriada.
- Regule o seletor de modo (4) para a posição “perfuração com impacto”.
- Regule o mostrador de controle eletrônico de velocidade e impacto (2).
- Encaixe e regule o punho lateral (8).
- Se necessário, ajuste a profundidade de perfuração.
- Marque o ponto onde pretende executar um orifício.
- Coloque a broca no ponto e ligue a ferramenta.
- Sempre desligue a ferramenta quando o trabalho está acabado e antes de tirar ao plugue da tomada.

Perfuração com uma broca de caixa (fig. A)

- Insira a broca de caixa apropriada.
- Coloque a broca de centrar na broca de caixa.
- Regule o seletor de modo (4) para a posição

“perfuração com impacto”.

- Ponha o mostrador de controlo electrónico de impacto e velocidade (2) na posição de velocidade moderada ou alta.
- Encaixe e regule o punho lateral (8).
- Coloque a broca de centrar no ponto e ligue a ferramenta. Perfure até a caixa penetrar cerca de 1 cm no concreto.
- Pare a ferramenta e retire a broca de centrar. Coloque a broca de caixa no furo e continue a perfuração.
- Quando estiver a perfurar uma estrutura mais espessa que a profundidade da broca de caixa, retire o cilindro de betão ou de caixa dentro da broca a intervalos regulares. Para evitar partir betão a mais à volta do orifício, faça primeiro um furo com o diâmetro da broca de centrar através de toda a estrutura. Depois perfure o espaço oco até meio de cada lado.
- Sempre desligue a ferramenta quando o trabalho está acabado e antes de tirar a ficha da tomada.

Rompimento (fig. A)

- Insira o acessório apropriado e rode à mão para o prender numa das 8 posições.
- Regule o selector de modo (4) para a posição “impacto”.
- Regule o mostrador de controle eletrônico de velocidade e impacto (2).
- Encaixe e regule o punho lateral (8).
- Ligue a ferramenta e inicie os trabalhos.
- Sempre desligue a ferramenta quando o trabalho está acabado e antes de tirar a ficha da tomada.

A DEWALT possui diversos tipos de acessórios e brocas de SDS-max®. Para mais informações sobre os acessórios apropriados, consulte o seu Revendedor autorizado.

Manutenção

A sua Ferramenta Elétrica DeWALT foi concebida para funcionar durante muito tempo com um mínimo de manutenção. O funcionamento satisfatório contínuo depende de bons cuidados e limpeza regular da ferramenta.

A manutenção da ferramenta deve ser efectuada logo que o LED se acenda.

- Esta ferramenta não deve ser reparada pelo operador. Leve-a a um Centro de Assistência Técnica Autorizada da DeWALT após cerca de 80 horas de utilização. Caso haja problemas antes de cumprir esse prazo, contate um Centro de Assistência Técnica Autorizada da DeWALT.



Lubrificação

A sua Ferramenta Elétrica não precisa de lubrificação suplementar.



Limpeza

Conserve livres as aberturas de ventilação e limpe regularmente o corpo da máquina utilizando um pano macio.



Ferramentas indesejadas e o ambiente

Leve a sua ferramenta velha a um Centro de Assistência Técnica DeWALT onde ela será eliminada de um modo seguro para o ambiente.

GARANTIA

• 30 DIAS DE SATISFAÇÃO TOTAL DE QUALIDADE •

Ao comprar sua ferramenta DeWALT, durante os primeiros 30 dias (comprovado pela nota fiscal), se ocorrer qualquer problema de funcionamento, o revendedor estará autorizado a trocar seu produto por outro idêntico e novo.

• 1 ANO DE MANUTENÇÃO GRATUITA •

A DeWALT oferece como uma forma de prevenção, duas manutenções gratuitas no prazo de um ano, para reparos, limpeza, ajustes, lubrificação, sem ônus ao consumidor. É necessário apresentar uma prova de compra da ferramenta

• 1 ANO DE GARANTIA •

Se o seu produto DeWALT se avariar durante os primeiros 12 meses, garantimos a substituição das peças defeituosas, exceto as que tiverem desgaste normal, sem encargos desde que:

- O produto não tenha sido mal usado
- Não tenha sido reparado em postos não autorizados
- Tenha comprovante de compra

Anexo o Sr./Sra. Encontrará a relação de nossos Centros de Serviço autorizados onde poderá registrar sua garantia e onde poderá adquirir partes e acessórios originais.

Black&Decker
Cat No. D25500/D25600 - Form No. 581371-02
Copyright © 2003
Printed in China

IMPORTADO: BLACK & DECKER S.A. DE C.V.
BOSQUES DE CIDROS ACCESO RADIATAS NO. 42
COL. BOSQUES DE LAS LOMAS.
3A SECCIÓN, CP 05120
DELEGACIÓN CUAJIMALPA
MÉXICO, D.F.
TEL. (52) 555-326-7100
R.F.C.: BDE810626-1W7