

HITACHI

Cordless Disc Grinder

Akku-Winkelschleifer

Meuleuse à batterie

Smerigliatrice angolare a batteria

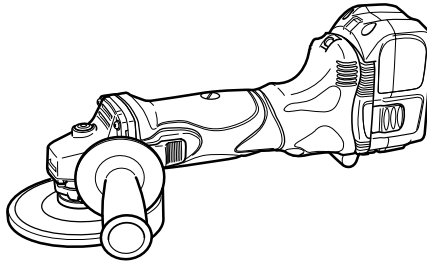
Snoerloze haakse slijpmachine

Amoladora angular a batería

Rebarbadora a bateria

Γωνιακός τροχός λειάνσεως μπαταρίας

G 18DL (S)



Read through carefully and understand these instructions before use.

Diese Anleitung vor Benutzung des Werkzeugs sorgfältig durchlesen und verstehen.

Lire soigneusement et bien assimiler ces instructions avant usage.

Prima dell'uso leggere attentamente e comprendere queste istruzioni.

Deze gebruiksaanwijzing s.v.p. voor gebruik zorgvuldig doorlezen.

Leer cuidadosamente y comprender estas instrucciones antes del uso.

Antes de usar, leia com cuidado para assimilar estas instruções.

Διαβάστε προσεκτικά και κατανοήστε αυτές τις οδηγίες πριν τη χρήση.

Handling instructions

Bedienungsanleitung

Mode d'emploi

Istruzioni per l'uso

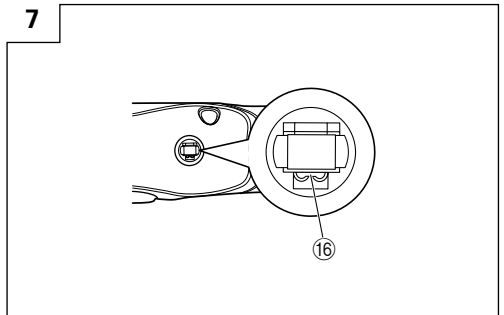
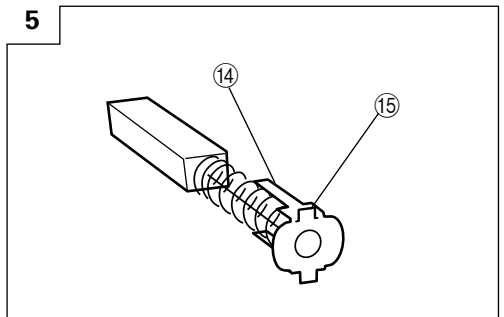
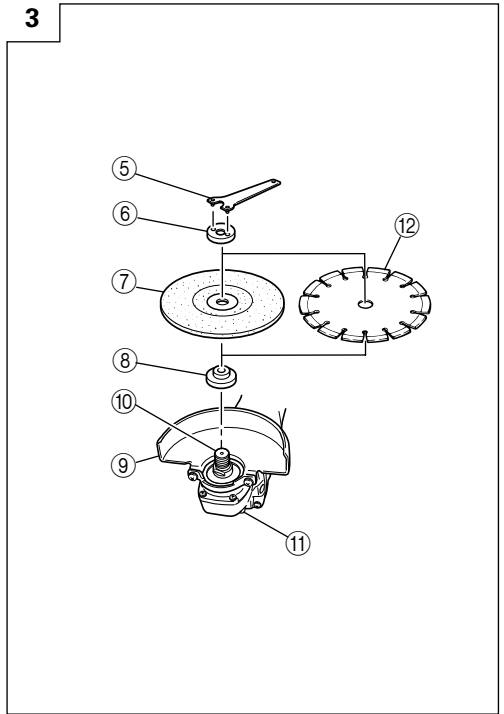
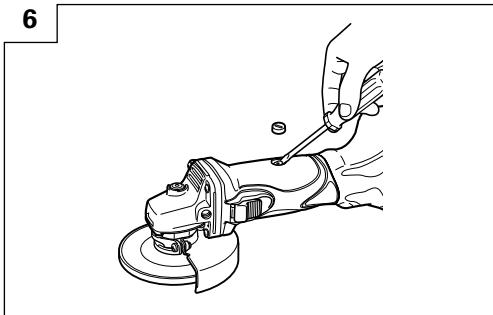
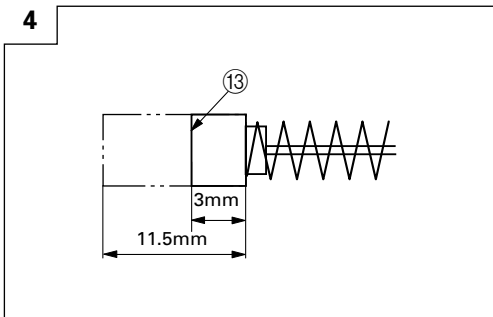
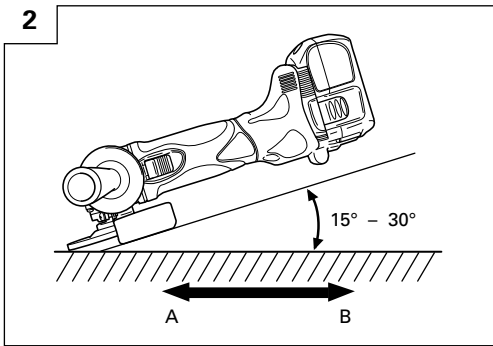
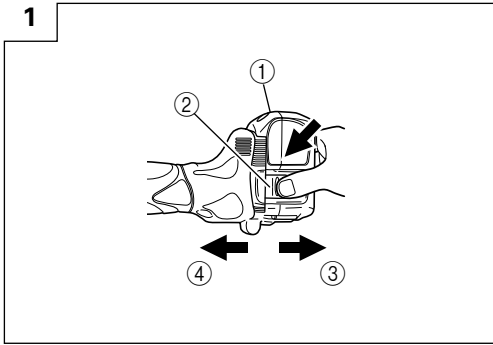
Gebruiksaanwijzing

Instrucciones de manejo

Instruções de uso







Οδηγίες χειρισμού

Hitachi Koki



	English	Deutsch	Français	Italiano
①	Rechargeable battery	Akkumulator	Batterie rechargeable	Batteria ricaricabile
②	Latch	Schnapper	Loquet	Fermo
③	Pull out	Herausziehen	Tirer	Estrarre
④	Insert	Einsatz	Insérer	Inserire
⑤	Wrench	Schlüssel	Clef	Chiave
⑥	Wheel nut	Mutter für Schleifscheibe	Ecrou de la meule	Dado ad anello
⑦	Depressed center wheel	Schleifscheibe	Meule	Mola
⑧	Wheel washer	Unterlegscheibe	Rondelle de la meule	Rondella "grover"
⑨	Wheel guard	Schutzhaube	Couvre-meule	Carter della mola
⑩	Spindle	Spindel	Arbre	Asse
⑪	Push button	Drukknop	Bouton-poussoir	Tasto di blocco dell'asse
⑫	Diamond wheel	Diamantscheide	Disque diamant	Disco diamantata
⑬	Wear limit	Verschleißgrenze	Limite d'usure	Limite di usura
⑭	Nail of carbon brush	Klaue der Kohlebürste	Clou de balai en carbone	Chiodo di spazzola di carbone
⑮	Protrusion of carbon brush	Krempe der Kohlebürste	Saillie de balai en carbone	Sporgenza di spazzola di carbone
⑯	Contact portion outside brush tube	Kontaktteil außerhalb des Bürstenrohrs	Section de contact à l'extérieur du tube de balai	Parte di contatto fuori dal tubo spazzola

	Nederlands	Español	Português	Ελληνικά
①	Oplaadbare batterij	Bateria recargable	Bateria recarregável	Επαναφορτιζόμενη μπαταρία
②	Vergrendeling	Enganche	Lingüeta	Μάνδαλο
③	Uittrekken	Sacar	Retirar	Βραβήξτε έξω
④	Insteken	Insertar	Inserir	Εισχωρήστε
⑤	Sleutel	Llave para tuercas	Chave inglesa	Κλειδί
⑥	Moer voor de schuurschijf	Contratuercas molar	Arruela de roda	Παξιμάδι τροχού
⑦	Schuurschijf	Muela de alisado	Esmeril	Χαμηλωμένος κεντρικός τροχός
⑧	Onderlegschijf	Arandela molar	Porca de roda	Ροδέλλα τροχού
⑨	Beschermkap	Cubierta protector de muela	Proteção de roda	Προφυλακτήρας τροχού
⑩	As	Eje	Eixo	Άξονας
⑪	Drukknop	Botón pulsador	Botão de pressão	Κουμπί ώθησης
⑫	Diamantzaagblad	Adiamantado	Disco adiamantado	Διαμαντένιος τροχός
⑬	Slijtagegrens	Límite de uso	Limite de desgaste	Όριο φθοράς
⑭	Nagel van koolborstel	Uña de escobilla de carbón	Prego da escova de carvão	Καρφι καρβουνακιού
⑮	Uitsteeksel van koolborstel	Saliente de escobilla de carbón	Saliência da escova de carvão	Προεξοχή καρβουνακιού
⑯	Contact-gedeelte buiten de borstelbuis	Tubo exterior de la arte de contacto de la escobilla de carbón	Segmento de contato no exterior do tubo da escova	Τμήμα επαφής έξω από το σωλήνα της ψήκτρας

	<p>Symbols ⚠ WARNING The following show symbols used for the machine. Be sure that you understand their meaning before use.</p>	<p>Símbolos ⚠ WARNUNG Die folgenden Symbole werden für diese Maschine verwendet. Achten Sie darauf, diese vor der Verwendung zu verstehen.</p>	<p>Symboles ⚠ AVERTISSEMENT Les symboles suivants sont utilisés pour l'outil. Bien se familiariser avec leur signification avant d'utiliser l'outil.</p>	<p>Simboli ⚠ AVVERTENZA Di seguito mostriamo i simboli usati per la macchina. Assicurarsi di comprenderne il significato prima dell'uso.</p>
	<p>Read all safety warnings and all instructions. Failure to follow the warnings and instructions may result in electric shock, fire and/or serious injury.</p>	<p>Lesen Sie sämtliche Sicherheitshinweise und Anweisungen durch. Wenn die Warnungen und Anweisungen nicht befolgt werden, kann es zu Stromschlag, Brand und/oder ernsthaften Verletzungen kommen.</p>	<p>Lire tous les avertissements de sécurité et toutes les instructions. Tout manquement à observer ces avertissements et instructions peut engendrer des chocs électriques, des incendies et/ou des blessures graves.</p>	<p>Leggere tutti gli avvertimenti di sicurezza e tutte le istruzioni. La mancata osservanza degli avvertimenti e delle istruzioni potrebbe essere causa di scosse elettriche, incendi e/o gravi lesioni.</p>
	<p>Always wear eye protection.</p>	<p>Tragen Sie immer einen Augenschutz.</p>	<p>Toujours porter des verres de protection.</p>	<p>Indossate sempre le protezioni oculari.</p>
	<p>Only for EU countries Do not dispose of electric tools together with household waste material! In observance of European Directive 2002/96/EC on waste electrical and electronic equipment and its implementation in accordance with national law, electric tools that have reached the end of their life must be collected separately and returned to an environmentally compatible recycling facility.</p>	<p>Nur für EU-Länder Werfen Sie Elektrowerkzeuge nicht in den Hausmüll! Gemäss Europäischer Richtlinie 2002/96/EG über Elektro- und Elektronik-Altgeräte und Umsetzung in nationales Recht müssen verbrauchte Elektrowerkzeuge getrennt gesammelt und einer umweltgerechten Wiederverwertung zugeführt werden.</p>	<p>Pour les pays européens uniquement Ne pas jeter les appareils électriques dans les ordures ménagères! Conformément à la directive européenne 2002/96/EG relative aux déchets d'équipements électriques ou électroniques (DEEE), et à sa transposition dans la législation nationale, les appareils électriques doivent être collectés à part et être soumis à un recyclage respectueux de l'environnement.</p>	<p>Solo per Paesi UE Non gettare le apparecchiature elettriche tra i rifiuti domestici. Secondo la Direttiva Europea 2002/96/CE sui rifiuti di apparecchiature elettriche ed elettroniche e la sua attuazione in conformità alle norme nazionali, le apparecchiature elettriche esauste devono essere raccolte separatamente, al fine di essere reimpiegate in modo eco-compatibile.</p>
<p>Símbolos ⚠ WAARSCHUWING Hieronder staan symbolen afgebeeld die van toepassing zijn op deze machine. U moet de betekenis hiervan begrijpen voor gebruik.</p>	<p>Simbolos ⚠ ADVERTENCIA A continuación se muestran los símbolos usados para la máquina. Asegúrese de comprender su significado antes del uso.</p>	<p>Símbolos ⚠ AVISO A seguir aparecem os símbolos utilizados pela máquina. Assimile bem seus significados antes do uso.</p>	<p>Σύμβολα ⚠ ΠΡΟΣΟΧΗ Τα παρακάτω δείχνουν τα σύμβολα που χρησιμοποιούνται στο μηχάνημα. Βεβαιωθείτε ότι κατανοείτε τη σημασία τους πριν τη χρήση.</p>	
	<p>Lees alle waarschuwingen en instructies aandachtig door. Nalating om de waarschuwingen en instructies op te volgen kan in een elektrische schok, brand en/of ernstig letsel resulteren.</p>	<p>Lea todas las instrucciones y advertencias de seguridad. Si no se siguen las advertencias e instrucciones, podría producirse una descarga eléctrica, un incendio y/o daños graves.</p>	<p>Leia todas as instruções e avisos de segurança. Se não seguir todas as instruções e os avisos, pode provocar um choque eléctrico, incêndio e/ou ferimentos graves.</p>	<p>Διαβάστε όλες τις προειδοποιήσεις ασφαλείας και όλες τις οδηγίες. Η μη τήρηση των προειδοποιήσεων και οδηγιών μπορεί να προκαλέσει ηλεκτροπληξία, πυρκαγιά και/ή σοβαρό τραυματισμό.</p>
	<p>Draag altijd oogbescherming.</p>	<p>Utilice siempre una protección ocular.</p>	<p>Utilize sempre protecção para os olhos.</p>	<p>Φοράτε πάντα προστασία για τα μάτια.</p>
	<p>Alleen voor EU-landen Geef elektrisch gereedschap niet met het huisvuil mee! Volgens de Europese richtlijn 2002/96/EG inzake oude elektrische en elektronische apparaten en de toepassing daarvan binnen de nationale wetgeving, dient gebruikt elektrisch gereedschap gescheiden te worden ingezameld en te worden afgevoerd naar een recycle bedrijf dat voldoet aan de geldende milieu-eisen.</p>	<p>Sólo para países de la Unión Europea ¡No deseeche los aparatos eléctricos junto con los residuos domésticos! De conformidad con la Directiva Europea 2002/96/CE sobre residuos de aparatos eléctricos y electrónicos y su aplicación de acuerdo con la legislación nacional, las herramientas eléctricas cuya vida útil haya llegado a su fin se deberán recoger por separado y trasladar a una planta de reciclaje que cumpla con las exigencias ecológicas.</p>	<p>Apenas para países da UE Não deite ferramentas elétricas no lixo doméstico! De acordo com a directiva europeia 2002/96/CE sobre ferramentas eléctricas e electrónicas usadas e a transposição para as leis nacionais, as ferramentas eléctricas usadas devem ser recolhidas em separado e encaminhadas a uma instalação de reciclagem dos materiais ecológica.</p>	<p>Mόνο για τις χώρες της ΕΕ Μην πετάτε τα ηλεκτρικά εργαλεία στον κάδο οικιακών απορριμμάτων! Σύμφωνα με την ευρωπαϊκή οδηγία 2002/96/ΕΚ περί ηλεκτρικών και ηλεκτρονικών συσκευών και της εναρμότωσης της στο εθνικό δίκαιο, τα ηλεκτρικά εργαλεία πρέπει να συλλέγονται ξεχωριστά και να επιστρέφονται για ανακύκλωση με τρόπο φιλικό προς το περιβάλλον.</p>

GENERAL POWER TOOL SAFETY WARNINGS

WARNING

Read all safety warnings and all instructions.

Failure to follow the warnings and instructions may result in electric shock, fire and/or serious injury.

Save all warnings and instructions for future reference.

The term "power tool" in the warnings refers to your mains-operated (corded) power tool or battery-operated (cordless) power tool.

1) Work area safety

- a) **Keep work area clean and well lit.**

Cluttered or dark areas invite accidents.

- b) **Do not operate power tools in explosive atmospheres, such as in the presence of flammable liquids, gases or dust.**

Power tools create sparks which may ignite the dust or fumes.

- c) **Keep children and bystanders away while operating a power tool.**

Distractions can cause you to lose control.

2) Electrical safety

- a) **Power tool plugs must match the outlet.**

Never modify the plug in any way.

Do not use any adapter plugs with earthed (grounded) power tools.

Unmodified plugs and matching outlets will reduce risk of electric shock.

- b) **Avoid body contact with earthed or grounded surfaces, such as pipes, radiators, ranges and refrigerators.**

There is an increased risk of electric shock if your body is earthed or grounded.

- c) **Do not expose power tools to rain or wet conditions.**

Water entering a power tool will increase the risk of electric shock.

- d) **Do not abuse the cord. Never use the cord for carrying, pulling or unplugging the power tool. Keep cord away from heat, oil, sharp edges or moving parts.**

Damaged or entangled cords increase the risk of electric shock.

- e) **When operating a power tool outdoors, use an extension cord suitable for outdoor use.**

Use of a cord suitable for outdoor use reduces the risk of electric shock.

- f) **If operating a power tool in a damp location is unavoidable, use a residual current device (RCD) protected supply.**

Use of an RCD reduces the risk of electric shock.

3) Personal safety

- a) **Stay alert, watch what you are doing and use common sense when operating a power tool.**

Do not use a power tool while you are tired or under the influence of drugs, alcohol or medication.
A moment of inattention while operating power tools may result in serious personal injury.

- b) **Use personal protective equipment. Always wear eye protection.**

Protective equipment such as dust mask, non-skid safety shoes, hard hat, or hearing protection used for appropriate conditions will reduce personal injuries.

- c) **Prevent unintentional starting. Ensure the switch is in the off-position before connecting to power source and/or battery pack, picking up or carrying the tool.**

Carrying power tools with your finger on the switch or energising power tools that have the switch on invites accidents.

- d) **Remove any adjusting key or wrench before turning the power tool on.**

A wrench or a key left attached to a rotating part of the power tool may result in personal injury.

- e) **Do not overreach. Keep proper footing and balance at all times.**

This enables better control of the power tool in unexpected situations.

- f) **Dress properly. Do not wear loose clothing or jewellery. Keep your hair, clothing and gloves away from moving parts.**

Loose clothes, jewellery or long hair can be caught in moving parts.

- g) **If devices are provided for the connection of dust extraction and collection facilities, ensure these are connected and properly used.**

Use of dust collection can reduce dust related hazards.

4) Power tool use and care

- a) **Do not force the power tool. Use the correct power tool for your application.**

The correct power tool will do the job better and safer at the rate for which it was designed.

- b) **Do not use the power tool if the switch does not turn it on and off.**

Any power tool that cannot be controlled with the switch is dangerous and must be repaired.

- c) **Disconnect the plug from the power source and/or the battery pack from the power tool before making any adjustments, changing accessories, or storing power tools.**

Such preventive safety measures reduce the risk of starting the power tool accidentally.

- d) **Store idle power tools out of the reach of children and do not allow persons unfamiliar with the power tool or these instructions to operate the power tool.**

Power tools are dangerous in the hands of untrained users.

- e) **Maintain power tools. Check for misalignment or binding of moving parts, breakage of parts and any other condition that may affect the power tools operation.**

If damaged, have the power tool repaired before use.

Many accidents are caused by poorly maintained power tools.

- f) **Keep cutting tools sharp and clean.**

Properly maintained cutting tools with sharp cutting edges are less likely to bind and are easier to control.

- g) **Use the power tool, accessories and tool bits etc. in accordance with these instructions, taking into account the working conditions and the work to be performed.**

Use of the power tool for operations different from those intended could result in a hazardous situation.

- 5) **Battery tool use and care**
- Recharge only with the charger specified by the manufacturer.**
A charger that is suitable for one type of battery pack may create a risk of fire when used with another battery pack.
 - Use power tools only with specifically designated battery packs.**
Use of any other battery packs may create a risk of injury and fire.
 - When battery pack is not in use, keep it away from other metal objects like paper clips, coins, keys, nails, screws, or other small metal objects that can make a connection from one terminal to another.**
Shorting the battery terminals together may cause burns or a fire.
 - Under abusive conditions, liquid may be ejected from the battery; avoid contact. If contact accidentally occurs, flush with water. If liquid contacts eyes, additionally seek medical help. Liquid ejected from the battery may cause irritation or burns.**
- 6) **Service**
- Have your power tool serviced by a qualified repair person using only identical replacement parts.**
This will ensure that the safety of the power tool is maintained.

PRECAUTION

Keep children and infirm persons away.

When not in use, tools should be stored out of reach of children and infirm persons.

SAFETY WARNINGS COMMON FOR GRINDING OR ABRASIVE CUTTING-OFF OPERATIONS

- This power tool is intended to function as a grinder or cut-off tool. Read all safety warnings, instructions, illustrations and specifications provided with this power tool.**
Failure to follow all instructions listed below may result in electric shock, fire and/or serious injury.
 - Operations such as sanding, wire brushing or polishing are not recommended to be performed with this power tool.**
Operations for which the power tool was not designed may create a hazard and cause personal injury.
 - Do not use accessories which are not specifically designed and recommended by the tool manufacturer.**
Just because the accessory can be attached to your power tool, it does not assure safe operation.
 - The rated speed of the accessory must be at least equal to the maximum speed marked on the power tool.**
Accessories running faster than their rated speed can break and fly apart.
 - The outside diameter and the thickness of your accessory must be within the capacity rating of your power tool.**
Incorrectly sized accessories cannot be adequately guarded or controlled.
- The arbour size of wheels, flanges, backing pads or any other accessory must properly fit the spindle of the power tool.**
Accessories with arbour holes that do not match the mounting hardware of the power tool will run out of balance, vibrate excessively and may cause loss of control.
 - Do not use a damaged accessory. Before each use inspect the accessory such as abrasive wheels for chips and cracks, backing pad for cracks, tear or excess wear, wire brush for loose or cracked wires. If power tool or accessory is dropped, inspect for damage or install an undamaged accessory. After inspecting and installing an accessory, position yourself and bystanders away from the plane of the rotating accessory and run the power tool at maximum no-load speed for one minute.**
Damaged accessories will normally break apart during this test time.
 - Wear personal protective equipment. Depending on application, use face shield, safety goggles or safety glasses. As appropriate, wear dust mask, hearing protectors, gloves and workshop apron capable of stopping small abrasive or workpiece fragments. The eye protection must be capable of stopping flying debris generated by various operations. The dust mask or respirator must be capable of filtrating particles generated by your operation. Prolonged exposure to high intensity noise may cause hearing loss.**
 - Keep bystanders a safe distance away from work area. Anyone entering the work area must wear personal protective equipment.**
Fragments of workpiece or of a broken accessory may fly away and cause injury beyond immediate area of operation.
 - Hold power tool by insulated gripping surfaces only, when performing an operation where the cutting accessory may contact hidden wiring or its own cord.**
Cutting accessory contacting a "live" wire may make exposed metal parts of the power tool "live" and shock the operator.
 - Position the cord clear of the spinning accessory. If you lose control, the cord may be cut or snagged and your hand or arm may be pulled into the spinning accessory.**
 - Never lay the power tool down until the accessory has come to a complete stop.**
The spinning accessory may grab the surface and pull the power tool out of your control.
 - Do not run the power tool while carrying it at your side.**
Accidental contact with the spinning accessory could snag your clothing, pulling the accessory into your body.
 - Regularly clean the power tool's air vents.**
The motor's fan will draw the dust inside the housing and excessive accumulation of powdered metal may cause electrical hazards.
 - Do not operate the power tool near flammable materials.**
Sparks could ignite these materials.
 - Do not use accessories that require liquid coolants.**
Using water or other liquid coolants may result in electrocution or shock.

KICKBACK AND RELATED WARNINGS

Kickback is a sudden reaction to a pinched or snagged rotating wheel, backing pad, brush or any other accessory. Pinching or snagging causes rapid stalling of the rotating accessory which in turn causes the uncontrolled power tool to be forced in the direction opposite of the accessory's rotation at the point of the binding.

For example, if an abrasive wheel is snagged or pinched by the workpiece, the edge of the wheel that is entering into the pinch point can dig into the surface of the material causing the wheel to climb out or kick out. The wheel may either jump toward or away from the operator, depending on direction of the wheel's movement at the point of pinching. Abrasive wheels may also break under these conditions.

Kickback is the result of power tool misuse and/or incorrect operating procedures or conditions and can be avoided by taking proper precautions as given below.

- a) **Maintain a firm grip on the power tool and position your body and arm to allow you to resist kickback forces. Always use auxiliary handle, if provided, for maximum control over kickback or torque reaction during start-up.**
The operator can control torque reactions or kickback forces, if proper precautions are taken.
- b) **Never place your hand near the rotating accessory. Accessory may kickback over your hand.**
- c) **Do not position your body in the area where power tool will move if kickback occurs.**
Kickback will propel the tool in direction opposite to the wheel's movement at the point of snagging.
- d) **Use special care when working corners, sharp edges etc. Avoid bouncing and snagging the accessory. Corners, sharp edges or bouncing have a tendency to snag the rotating accessory and cause loss of control or kickback.**
- e) **Do not attach a saw chain woodcarving blade or toothed saw blade.**
Such blades create frequent kickback and loss of control.

SAFETY WARNINGS SPECIFIC FOR GRINDING AND ABRASIVE CUTTING-OFF OPERATIONS

- a) **Use only wheel types that are recommended for your power tool and the specific guard designed for the selected wheel.**
Wheels for which the power tool was not designed cannot be adequately guarded and are unsafe.
- b) **The guard must be securely attached to the power tool and positioned for maximum safety, so the least amount of wheel is exposed towards the operator.**
The guard helps to protect operator from broken wheel fragments and accidental contact with wheel.
- c) **Wheels must be used only for recommended applications. For example: do not grind with the side of cut-off wheel.**
Abrasive cut-off wheels are intended for peripheral grinding, side forces applied to these wheels may cause them to shatter.

- d) **Always use undamaged wheel flanges that are of correct size and shape for your selected wheel.**
Proper wheel flanges support the wheel thus reducing the possibility of wheel breakage. Flanges for cut-off wheels may be different from grinding wheel flanges.
- e) **Do not use worn down wheels from larger power tools.**
Wheel intended for larger power tool is not suitable for the higher speed of a smaller tool and may burst.

ADDITIONAL SAFETY WARNINGS SPECIFIC FOR ABRASIVE CUTTING-OFF OPERATIONS

- a) **Do not "jam" the cut-off wheel or apply excessive pressure. Do not attempt to make an excessive depth of cut.**
Overstressing the wheel increases the loading and susceptibility to twisting or blinding of the wheel in the cut and the possibility of kickback or wheel breakage.
- b) **Do not position your body in line with and behind the rotating wheel.**
When the wheel, at the point of operation, is moving away from your body, the possible kickback may propel the spinning wheel and the power tool directly at you.
- c) **When wheel is binding or when interrupting a cut for any reason, switch off the power tool and hold the power tool motionless until the wheel comes to a complete stop. Never attempt to remove the cut-off wheel from the cut while the wheel is in motion otherwise kickback may occur.**
Investigate and take corrective action to eliminate the cause of wheel binding.
- d) **Do not restart the cutting operation in the workpiece. Let the wheel reach full speed and carefully reenter the cut.**
The wheel may bind, walk up or kickback if the power tool is restarted in the workpiece.

GENERAL SAFETY INSTRUCTIONS FOR CORDLESS DISC GRINDERS

- Check that speed marked on the wheel is equal to or greater than the rated speed of the grinder;
- Ensure that the wheel dimensions are compatible with the grinder;
- Abrasive wheels shall be stored and handled with care in accordance with manufacturer's instructions;
- Inspect the grinding wheel before use, do not use chipped, cracked or otherwise defective products;
- Ensure that mounted wheels and points are fitted in accordance with the manufacturer's instructions;
- Ensure that blotters are used when they are provided with the bonded abrasive product and when they are required;
- Ensure that the abrasive product is correctly mounted and tightened before use and run the tool at no-load for 30 s in a safe position, stop immediately if there is considerable vibration or if other defects are detected. If this condition occurs, check the machine to determine the cause;

- If a guard is equipped with the tool never use the tool without such a guard;
- Do not use separate reducing bushings or adapters to adapt large hole abrasive wheels;
- For tools intended to be fitted with threaded hole wheel, ensure that the thread in the wheel is long enough to accept the spindle length;
- Check that the work piece is properly supported;
- Do not use cutting off wheel for side grinding;
- Ensure that sparks resulting from use do not create a hazard e.g. do not hit persons, or ignite flammable substances;
- Ensure that ventilation openings are kept clear when working in dusty conditions, if it should become necessary to clear dust, first disconnect the tool from the mains supply (use non metallic objects) and avoid damaging internal parts;
- Always use eye and ear protection. Other personal protective equipment such as dust mask, gloves, helmet and apron should be worn;
- Pay attention to the wheel that continues to rotate after the tool is switched off.
- Always charge the battery at a temperature of 0 – 40°C.
A temperature of less than 0°C will result in over charging which is dangerous. The battery cannot be charged at a temperature greater than 40°C. The most suitable temperature for charging is that of 20 – 25°C.
- Do not use the charger continuously.
When one charging is completed, leave the charger for about 15 minutes before the next charging of battery.
- Do not allow foreign matter to enter the hole for connecting the rechargeable battery.
- Never disassemble the rechargeable battery and charger.
- Never short-circuit the rechargeable battery.
Short-circuiting the battery will cause a great electric current and overheat. It results in burn or damage to the battery.
- Do not dispose of the battery in fire.
If the battery burnt, it may explode.
- Do not insert object into the air ventilation slots of the charger.
Inserting metal objects or inflammables into the charger air ventilation slots will result in electrical shock hazard or damaged charger.
- Bring the battery to the shop from which it was purchased as soon as the post-charging battery life becomes too short for practical use. Do not dispose of the exhausted battery.
- Using an exhausted battery will damage the charger.

CAUTION ON LITHIUM-ION BATTERY

To extend the lifetime, the lithium-ion battery equips with the protection function to stop the output. In the cases of 1 and 2 described below, when using this product, even if you are pulling the switch, the motor may stop. This is not the trouble but the result of protection function.

1. When the battery power remaining runs out, the motor stops.
In such case, charge it up immediately.

2. If the tool is overloaded, the motor may stop. In this case, release the switch of tool and eliminate causes of overloading. After that, you can use it again.

Furthermore, please heed the following warning and caution.

WARNING

In order to prevent any battery leakage, heat generation, smoke emission, explosion and ignition beforehand, please be sure to heed the following precautions.

1. Make sure that swarf and dust do not collect on the battery.
 - During work make sure that swarf and dust do not fall on the battery.
 - Make sure that any swarf and dust falling on the power tool during work do not collect on the battery.
 - Do not store an unused battery in a location exposed to swarf and dust.
 - Before storing a battery, remove any swarf and dust that may adhere to it and do not store it together with metal parts (screws, nails, etc.).
2. Do not pierce battery with a sharp object such as a nail, strike with a hammer, step on, throw or subject the battery to severe physical shock.
3. Do not use an apparently damaged or deformed battery.
4. Do not use the battery in reverse polarity.
5. Do not connect directly to an electrical outlets or car cigarette lighter sockets.
6. Do not use the battery for a purpose other than those specified.
7. If the battery charging fails to complete even when a specified recharging time has elapsed, immediately stop further recharging.
8. Do not put or subject the battery to high temperatures or high pressure such as into a microwave oven, dryer, or high pressure container.
9. Keep away from fire immediately when leakage or foul odor are detected.
10. Do not use in a location where strong static electricity generates.
11. If there is battery leakage, foul odor, heat generated, discolored or deformed, or in any way appears abnormal during use, recharging or storage, immediately remove it from the equipment or battery charger, and stop use.

CAUTION

1. If liquid leaking from the battery gets into your eyes, do not rub your eyes and wash them well with fresh clean water such as tap water and contact a doctor immediately.
If left untreated, the liquid may cause eye-problems.
2. If liquid leaks onto your skin or clothes, wash well with clean water such as tap water immediately. There is a possibility that this can cause skin irritation.
3. If you find rust, foul odor, overheating, discolor, deformation, and/or other irregularities when using the battery for the first time, do not use and return it to your supplier or vendor.

SPECIFICATIONS

Cordless disc grinder

Model		G18DL(S)
Voltage		18V
No-Load speed		9100 min ⁻¹
Wheel	outer dia. × hole dia.	125 × 22 mm
	peripheral speed	80 m/s
Rechargeable battery	3.0 Ah	EBM1830: Li-ion (10 cells)
Weight		1.9 Kg

Charger

Model		UC18YRL
Charging voltage		7.2 – 18 V
Charging time	2.0 Ah : Ni-Cd	30 min.
	2.6 Ah : Ni-MH	40 min.
	3.0 Ah : Ni-MH	45 min.
	3.3 Ah : Ni-MH	50 min.
	3.0 Ah : Li-ion	45 min.
Weight		0.6 Kg

Charge time is approximate. Actual charge time may vary.

STANDARD ACCESSORIES

G18DL(S) (2MRK)	① Depressed center wheel	1
	② Wrench	1
	③ Side handle	1
	④ Charger	1
	⑤ Battery	2
	⑥ Plastic case	1
G18DL(S) (MRK)	① Depressed center wheel	1
	② Wrench	1
	③ Side handle	1
	④ Charger	1
	⑤ Battery	1
	⑥ Plastic case	1
G18DL(S) (NN)	Without charger, battery, plastic case	

Standard accessories are subject to change without notice.

APPLICATIONS

- Removal of casting fin and finishing of various types of steel, bronze and aluminum materials and castings.
- Grinding of welded sections or sections cut by means of a cutting torch.
- Grinding of synthetic resins, slate, brick, marble, etc.
- Cutting of synthetic concrete, stone, brick, marble, and similar materials.

BATTERY REMOVAL/INSTALLATION

1. Battery removal

Hold the handle tightly and push the battery latch to remove the battery (See Fig. 1).

CAUTION

Never short-circuit the battery.

2. Battery installation

Insert the battery while observing its polarities (See Fig. 1).

CHARGING

Before using the cordless disc grinder, charge the battery as follows.

1. Connect the charger's power cord to a receptacle

When the power cord is connected, the charger's pilot lamp will blink in red (At 1-second intervals).

2. Insert the battery into the charger

Insert the battery firmly, until it contacts the bottom of the charger compartment.

CAUTION

- If the battery is inserted in the reverse direction, not only recharging will become impossible, but it may also cause problems in the charger such as deformed recharging terminal.

3. Charging

When inserting a battery in the charger, charging will commence and the pilot lamp will light up continuously in red.

When the battery becomes fully recharged, the pilot lamp will blink in red (At 1-second intervals) (See Table 1).

- (1) Pilot lamp indication
 The indications of the pilot lamp will be as shown in **Table 1**, according to the condition of the charger or the rechargeable battery.

Table 1

		Indications of the lamps	
Before charging	Blinks (RED)	Lights for 0.5 seconds. Does not light for 0.5 seconds. (off for 0.5 seconds)	/
While charging	Lights (RED)	Lights continuously	
Charging complete	Blinks (RED)	Lights for 0.5 seconds. Does not light for 0.5 seconds. (off for 0.5 seconds)	
Charging impossible	Flickers (RED)	Lights for 0.1 seconds. Does not light for 0.1 seconds. (off for 0.1 seconds)	Malfunction in the battery or the charger.
Overheat standby	Lights (GREEN)	Lights continuously	Battery overheated. Unable to charge (Charging will commence when battery cools).

NOTE: When standby for cooling battery, UC18YRL cools the overheated battery by cooling fan.

- (2) Regarding the temperatures of the rechargeable battery
 The temperatures for rechargeable batteries are as shown in the table below, and batteries that have become hot should be cooled for a while before being recharged.

Table 2 Recharging ranges of batteries

Charger	UC18YRL
Rechargeable batteries	
Ni-Cd batteries	-5°C – 55°C
Ni-MH batteries	-5°C – 50°C
Li-ion batteries	0°C – 50°C

4. Disconnect the charger's power cord from the receptacle
 5. Hold the charger firmly and pull out the battery

NOTE
 Be sure to pull out the battery from the charger after use, and then keep it.

CAUTION

- If the battery is charged while it is heated because it has been left for a long time in a location subject to direct sunlight or because the battery has just been used, the pilot lamp of the charger lights up green. In such a case, first let the battery cool, then start charging.
- When the pilot lamp flickers in red quickly (at 0.2-second intervals), check for and take out any foreign objects in the charger's battery installation hole. If there are no foreign objects, it is probable that the battery or charger is malfunctioning. Take it to your Authorized Service Center.

- Since the built-in micro computer takes about 3 seconds to confirm that the battery being charged with UC18YRL is taken out, wait for a minimum of 3 seconds before reinserting it to continue charging. If the battery is reinserted within 3 seconds, the battery may not be properly charged.

Regarding electric discharge in case of new batteries, etc.

As the internal chemical substance of new batteries and batteries that have not been used for an extended period is not activated, the electric discharge might be low when using them the first and second time. This is a temporary phenomenon, and normal time required for recharging will be restored by recharging the batteries 2 – 3 times.

How to make the batteries perform longer

- (1) Recharge the batteries before they become completely exhausted.
 When you feel that the power of the tool becomes weaker, stop using the tool and recharge its battery. If you continue to use the tool and exhaust the electric current, the battery may be damaged and its life will become shorter.
- (2) Avoid recharging at high temperatures.
 A rechargeable battery will be hot immediately after use. If such a battery is recharged immediately after use, its internal chemical substance will deteriorate, and the battery life will be shortened. Leave the battery and recharge it after it has cooled for a while.

PRIOR TO OPERATION

1. Preparing and checking the work environment
 Make sure that the work site meets all the conditions laid forth in the precautions.

2. Checking the battery

Make sure that the battery is installed firmly. If it is at all loose it could come off and cause an accident.

3. Fitting and adjusting the wheel guard

The wheel guard is a protective device to prevent injury should the depressed center wheel shatter during operation. Ensure that the guard is properly fitted and fastened before commencing grinding operation. By slightly loosening the setting screw, the wheel guard can be turned and set at any desired angle for maximum operational effectiveness. Ensure that the setting screw is thoroughly tightened after adjusting the wheel guard.

4. Ensure that mounted wheels and points are fitted in accordance with the manufacturer's instructions. Ensure that the depressed center wheel to be utilized is the correct type and free of cracks or surface defects. Also ensure that the depressed center wheel is properly mounted and the wheel nut is securely tightened. Refer to the section on "ASSEMBLING AND DISASSEMBLING THE DEPRESSED CENTER WHEEL"

Ensure that blotters are used when they are provided with the bonded abrasive product and when they are required.

Do not use separate reducing bushings or adaptors to adapt large hole abrasive wheels.

For tools intended to be fitted with threaded hole wheel, ensure that the thread in the wheel is long enough to accept the spindle length.

Do not use cutting off wheel for side grinding.

5. Conducting a trial run

Ensure that the abrasive products is correctly mounted and tightened before use and run the tool at no-load for 30 seconds in a safe position, stop immediately if there is considerable vibration or if other defects are detected.

If this condition occurs, check the machine to determine the cause.

6. Confirm the push button.

Confirm that the push button is disengaged by pushing push button two or three times before switching the power tool on (See Fig. 2).

7. Fixing the side handle.

Screw the side handle into the gear cover.

3. To prevent a new depressed center wheel from digging into the workpiece, initial grinding should be performed by drawing the grinder across the workpiece toward the operator (Fig. 1 direction B). Once the leading edge of the depressed center wheel is properly abraded, grinding may be conducted in either direction.

4. Precautions immediately after finishing operation

The wheel continues to rotate after the tool is switched off. After switching off the machine, do not put it down until the depressed center wheel has come to a complete stop. Apart from avoiding serious accidents, this precaution will reduce the amount of dust and swarf sucked into the machine.

NOTE

○ To prevent injuries, this product has a function that prevents unexpected motor rotation when the battery is inserted. The motor will not run if the battery is inserted while the switch is still ON. After installing the battery, turn the switch off and then back on again.

○ The G18DL(S) model is equipped with a protection function that will shut down the tool in the event of an overload.

Should the tool shut down due to an overload, turn the power off and then turn it back on again.

An overload that stops tool operation and lasts more than 10 seconds may not be released by turning the power off and on. Should this happen, remove the battery from the tool and reinstall it before turning on the power switch.

CAUTIONS

○ Check that the work piece is properly supported.

○ Ensure that ventilation openings are kept clear when working in dusty conditions.

If it should become necessary to clear dust, first disconnect the tool from the mains supply (use non-metallic objects) and avoid damaging internal parts.

○ Ensure that sparks resulting from use do not create a hazard e.g. do not hit persons, or ignite flammable substances.

○ Always use eye and ear protection.

Other personal protective equipment such as dust mask, gloves, helmet and apron should be worn when necessary.

If in doubt, wear the protective equipment.

○ When the machine is not use, the battery should be disconnected.

PRACTICAL GRINDER APPLICATION

1. Pressure

To prolong the life of the machine and ensure a first class finish, it is important that the machine should not be overloaded by applying too much pressure. In most applications, the weight of the machine alone is sufficient for effective grinding. Too much pressure will result in reduced rotational speed, inferior surface finish, and overloading which could reduce the life of the machine.

2. Grinding angle

Do not apply the entire surface of the depressed center wheel to the material to be ground. As shown in Fig. 1, the machine should be held at an angle of 15° – 30° so that the external edge of the depressed center wheel contacts the material at an optimum angle.

ASSEMBLING AND DISASSEMBLING THE DEPRESSED CENTER WHEEL (Fig. 2)

CAUTION: Be sure to turn off the switch and pull out the battery.

1. Assembling (Fig. 2)

(1) Turn the disc grinder upsidedown so that the spindle is facing upward.

(2) Align the across flats of the wheel washer with the notched part of the spindle, then attach them.

(3) Fit the protuberance of the depressed center wheel onto the wheel washer.

(4) Screw the wheel nut onto the spindle.

- (5) While pushing the push button with one hand, lock the spindle by turning the depressed center wheel slowly with the other hand.
Tighten the wheel nut by using the supplied wrench as shown in Fig. 2.

2. Disassembling

Follow the above procedures in reverse.

CAUTIONS

- Confirm that the depressed center wheel is mounted firmly.
- Confirm that the push button is disengaged by pushing push button two or three times before switching the power tool on.

MAINTENANCE AND INSPECTION

1. Inspecting the depressed center wheel

Ensure that the depressed center wheel is free of cracks and surface defects.

2. Inspecting the mounting screws

Regularly inspect all mounting screws and ensure that they are properly tightened. Should any of the screws be loose, retighten them immediately. Failure to do so could result in serious hazard.

3. Maintenance of the motor

The motor unit winding is the very "heart" of the power tool.

Exercise due care to ensure the winding does not become damaged and/or wet with oil or water.

4. Inspecting the carbon brushes (Fig. 4)

The motor employs carbon brushes which are consumable parts. Since and excessively worn carbon brush can result in motor trouble, replace the carbon brush with new ones when it becomes worn to or near the "wear limit". In addition, always keep carbon brushes clean and ensure that they slide freely within the brush holders.

NOTE

When replacing the carbon brush with a new one, be sure to use the Hitachi Carbon Brush Code No. 999054.

5. Replacing carbon brushes

Take out the carbon brush by first removing the brush cap and then hooking the protrusion of the carbon brush with a slotted head screw driver, etc., as shown in Fig. 6.

When installing the carbon brush, choose the direction so that the nail of the carbon brush agrees with the contact portion outside the brush tube. Then push it in with a finger as illustrated in Fig. 7. Lastly, install the brush cap.

CAUTION

Be absolutely sure to insert the nail of the carbon brush into the contact portion outside the brush tube. (You can insert whichever one of the two nails provided.)

Caution must be exercised since any error in this operation can result in the deformed nail of the carbon brush and may cause motor trouble at an early stage.

6. Cleaning of the outside

When the cordless disc grinder is stained, wipe with a soft dry cloth or a cloth moistened with soapy water. Do not use chloric solvents, gasoline or paint thinner, as they melt plastics.

7. Storage

Store the cordless disc grinder in a place in which the temperature is less than 40°C, and out of reach of children.

8. Service parts list

- A: Item No.
- B: Code No.
- C: No. Used
- D: Remarks

CAUTION

Repair, modification and inspection of Hitachi Power Tools must be carried out by a Hitachi Authorized Service Center.

This Parts List will be helpful if presented with the tool to the Hitachi Authorized Service Center when requesting repair or other maintenance.

In the operation and maintenance of power tools, the safety regulations and standards prescribed in each country must be observed.

MODIFICATIONS:

Hitachi Power Tools are constantly being improved and modified to incorporate the latest technological advancements.

Accordingly, some parts (i.e. code numbers and/or design) may be changed without prior notice.

GUARANTEE

We guarantee Hitachi Power Tools in accordance with statutory/country specific regulation. This guarantee does not cover defects or damage due to misuse, abuse, or normal wear and tear. In case of complaint, please send the Power Tool, undismantled, with the GUARANTEE CERTIFICATE found at the end of this Handling instruction, to a Hitachi Authorized Service Center.

NOTE

Due to HITACHI's continuing program of research and development, the specifications herein are subject to change without prior notice.

IMPORTANT

Correct connection of the plug

The wires of the main lead are coloured in accordance with the following code:

Blue: -Neutral

Brown: -Live

As the colours of the wires in the main lead of this tool may not correspond with the coloured markings identifying the terminals in your plug proceed as follows: The wire coloured blue must be connected to the terminal marked with the letter N or coloured black. The wire coloured brown must be connected to the terminal marked with the letter L or coloured red. Neither core must be connected to the earth terminal.

NOTE

This requirement is provided according to BRITISH STANDARD 2769: 1984.

Therefore, the letter code and colour code may not be applicable to other markets except The United Kingdom.

Information concerning airborne noise and vibration

The measured values were determined according to EN60745 and declared in accordance with ISO 4871.

Measured A-weighted sound power level: 85 dB (A)

Measured A-weighted sound pressure level: 74 dB (A)

Uncertainty KpA: 3 dB (A).

Wear ear protection.

Vibration total values (triax vector sum) determined according to EN60745.

Surface grinding:

Vibration emission value **a_h, A_G** = 9.3 m/s²

Uncertainty K = 1.5 m/s²

WARNING

- The vibration emission value during actual use of the power tool can differ from the declared value depending on the ways in which the tool is used.
- To identify the safety measures to protect the operator that are based on an estimation of exposure in the actual conditions of use (taking account of all parts of the operating cycle such as the times when the tool is switched off and when it is running idle in addition to the trigger time).

ALLGEMEINE SICHERHEITSHINWEISE FÜR ELEKTROGERÄTE

⚠️ WARNUNG

Lesen Sie sämtliche Sicherheitshinweise und Anweisungen durch

Wenn die Warnungen und Anweisungen nicht befolgt werden, kann es zu Stromschlag, Brand und/oder ernsthaften Verletzungen kommen.

Bitte bewahren Sie alle Warnhinweise und Anweisungen zum späteren Nachschlagen auf.

Der Begriff „Elektrowerkzeug“ bezieht sich in den Warnhinweisen auf Elektrowerkzeuge mit Netz-(schnurgebunden) oder Akkubetrieb (schnurlos).

1) Sicherheit im Arbeitsbereich

- Sorgen Sie für einen sauberen und gut ausgeleuchteten Arbeitsbereich.**
Zugestellte oder dunkle Bereiche ziehen Unfälle förmlich an.
- Verwenden Sie Elektrowerkzeuge niemals an Orten, an denen Explosionsgefahr besteht – zum Beispiel in der Nähe von leicht entflammaren Flüssigkeiten, Gasen oder Stäuben.**
Bei der Arbeit mit Elektrowerkzeugen kann es zu Funkenbildung kommen, wodurch sich Stäube oder Dämpfe entzünden können.
- Sorgen Sie bei der Arbeit mit Elektrowerkzeugen dafür, dass sich keine Zuschauer (insbesondere Kinder) in der Nähe befinden.**
Wenn Sie abgelenkt werden, können Sie die Kontrolle über das Werkzeug verlieren.

2) Elektrische Sicherheit

- Elektrowerkzeuge müssen mit passender Stromversorgung betrieben werden.**
Nehmen Sie niemals irgendwelche Änderungen am Anschlussstecker vor.
Verwenden Sie bei Elektrowerkzeugen mit Schutzkontakt (geerdet) niemals Adapterstecker.
Stecker im Originalzustand und passende Steckdosen reduzieren das Stromschlagrisiko.
- Vermeiden Sie Körperkontakt mit geerdeten Gegenständen wie Rohrleitungen, Heizungen, Herden oder Kühlschränken.**
Bei Körperkontakt mit geerdeten Gegenständen besteht ein erhöhtes Stromschlagrisiko.
- Setzen Sie Elektrowerkzeuge niemals Regen oder sonstiger Feuchtigkeit aus.**
Wenn Flüssigkeiten in ein Elektrowerkzeug eindringen, erhöht sich das Stromschlagrisiko.
- Verwenden Sie die Anschlusschnur nicht missbräuchlich. Tragen Sie das Elektrowerkzeug niemals an der Anschlusschnur, ziehen Sie es nicht damit heran und ziehen Sie den Stecker nicht an der Anschlusschnur aus der Steckdose. Halten Sie die Anschlusschnur von Hitzequellen, Öl, scharfen Kanten und beweglichen Teilen fern.**
Beschädigte oder verdrehte Anschlusschnüre erhöhen das Stromschlagrisiko.
- Wenn Sie ein Elektrowerkzeug im Freien benutzen, verwenden Sie ein für den Außeneinsatz geeignetes Verlängerungskabel.**
Ein für den Außeneinsatz geeignetes Kabel vermindert das Stromschlagrisiko.
- Falls sich der Betrieb des Elektrowerkzeuges in feuchter Umgebung nicht vermeiden lässt, verwenden Sie eine Stromversorgung mit Fehlerstromschutzeinrichtung (Residual Current Device, RCD).**

Durch den Einsatz einer Fehlerstromschutzeinrichtung wird das Risiko eines elektrischen Schlages reduziert.

3) Persönliche Sicherheit

- Bleiben Sie wachsam, achten Sie auf das, was Sie tun, und setzen Sie Ihren Verstand ein, wenn Sie mit Elektrowerkzeugen arbeiten.**
Benutzen Sie keine Elektrowerkzeuge, wenn Sie müde sind oder unter Einfluss von Drogen, Alkohol oder Medikamenten stehen.
Bei der Arbeit mit Elektrowerkzeugen können bereits kurze Phasen der Unaufmerksamkeit zu schweren Verletzungen führen.
 - Benutzen Sie eine persönliche Schutzausrüstung. Tragen Sie immer einen Augenschutz.**
Schutzausrüstung wie Staubmaske, rutschsichere Sicherheitsschuhe, Schutzhelm und Gehörschutz senken das Verletzungsrisiko bei angemessenem Einsatz.
 - Vermeiden Sie unbeabsichtigten Anlauf. Achten Sie darauf, dass sich der Schalter in der Aus-(Off-) Position befindet, ehe Sie das Gerät mit der Stromversorgung und/oder Batteriestromversorgung verbinden, es aufheben oder herumtragen.**
Das Herumtragen von Elektrowerkzeugen mit dem Finger am Schalter oder das Herstellen der Stromversorgung bei betätigtem Schalter zieht Unfälle regelrecht an.
 - Entfernen Sie sämtliche Einstellwerkzeuge (Einstellschlüssel), ehe Sie das Elektrowerkzeug einschalten.**
Ein an einem beweglichen Teil des Elektrowerkzeugs angebrachter Schlüssel kann zu Verletzungen führen.
 - Sorgen Sie für einen festen Stand. Achten Sie jederzeit darauf, sicher zu stehen und das Gleichgewicht zu bewahren.**
Dadurch haben Sie das Elektrowerkzeug in unerwarteten Situationen besser im Griff.
 - Kleiden Sie sich richtig. Tragen Sie keine lose Kleidung oder Schmuck. Halten Sie Haar, Kleidung und Handschuhe von beweglichen Teilen fern.**
Lose Kleidung, Schmuck oder langes Haar kann von beweglichen Teilen erfasst werden.
 - Wenn Anschlüsse für Staubabsaug- und -sammelvorrichtungen vorhanden sind, sorgen Sie dafür, dass diese richtig angeschlossen und eingesetzt werden.**
Durch Entfernen des Staubes können staubbezogene Gefahren vermindert werden.
- #### 4) Einsatz und Pflege von Elektrowerkzeugen
- Überansprechen Sie Elektrowerkzeuge nicht. Benutzen Sie das richtige Elektrowerkzeug für Ihren Einsatzzweck.**
Das richtige Elektrowerkzeug erledigt seine Arbeit bei bestimmungsgemäßem Einsatz besser und sicherer.
 - Benutzen Sie das Elektrowerkzeug nicht, wenn es sich nicht am Schalter ein- und ausschalten lässt.**
Jedes Elektrowerkzeug, das nicht mit dem Schalter betätigt werden kann, stellt eine Gefahr dar und muss repariert werden.
 - Stecken Sie den Stecker der Stromversorgung oder Batteriestromversorgung vom Gerät ab, ehe Sie Einstellarbeiten vornehmen, Zubehöerteile tauschen oder das Elektrowerkzeug verstauen.**
Solche präventiven Sicherheitsmaßnahmen verhindern den unbeabsichtigten Anlauf des Elektrowerkzeugs und die damit verbundenen Gefahren.

- d) Lagern Sie nicht benutzte Elektrowerkzeuge außerhalb der Reichweite von Kindern, lassen Sie nicht zu, dass Personen das Elektrowerkzeug bedienen, die nicht mit dem Werkzeug selbst und/oder diesen Anweisungen vertraut sind. *Elektrowerkzeuge in ungeschulten Händen sind gefährlich.*
- e) Halten Sie Elektrowerkzeuge in Stand. Prüfen Sie auf Fehlausrichtungen, sicheren Halt und Leichtgängigkeit beweglicher Teile, Beschädigungen von Teilen und auf jegliche andere Zustände, die sich auf den Betrieb des Elektrowerkzeugs auswirken können. Bei Beschädigungen lassen Sie das Elektrowerkzeug reparieren, ehe Sie es benutzen. *Viele Unfälle mit Elektrowerkzeugen sind auf schlechte Wartung zurückzuführen.*
- f) Halten Sie Schneidwerkzeuge scharf und sauber. *Richtig gewartete Schneidwerkzeuge mit scharfen Schneidkanten bleiben weniger häufig hängen und sind einfacher zu beherrschen.*
- g) Benutzen Sie Elektrowerkzeuge, Zubehör, Werkzeugspitzen und Ähnliches in Übereinstimmung mit diesen Anweisungen – beachten Sie dabei die jeweiligen Arbeitsbedingungen und die Art und Weise der auszuführenden Arbeiten. *Der Gebrauch des Elektrowerkzeuges für andere als die vorgesehenen Anwendungen kann zu gefährlichen Situationen führen.*
- 5) Verwendung und Pflege der Batterie
- a) Laden Sie das Gerät nur mit dem vom Hersteller empfohlenen Ladegerät auf. *Ein Ladegerät für einen speziellen Batterietyp kann bei Verwendung mit anderen Batterien zu Gefahren führen.*
- b) Verwenden Sie für das Gerät nur die speziell empfohlenen Batterien. *Eine Verwendung von anderen Batterien kann zu Verletzungen und Bränden führen.*
- c) Ist die Batterie nicht in Gebrauch, achten Sie darauf, dass sie nicht mit metallischen Gegenständen, beispielsweise Büroklammern, Münzen, Schlüssel, Nägel, Schrauben in Kontakt kommt, da diese Gegenstände einen Kurzschluss der Anschlüsse verursachen könnten. *Ein Kurzschluss der Batterieanschlüsse kann zu Verbrennungen oder Bränden führen.*
- d) Im Falle von Störungen, kann Flüssigkeit aus der Batterie austreten. Vermeiden Sie in diesem Fall jeglichen Kontakt. Sollten Sie dennoch mit der Batterie in Berührung kommen, waschen Sie die betroffene Stelle gründlich mit Wasser ab. Ist die Flüssigkeit ins Auge geraten, suchen Sie einen Arzt auf. *Ausgetretene Batterieflüssigkeiten können zu Reizungen oder Verbrennungen führen.*
- 6) Service
- a) Lassen Sie Elektrowerkzeuge durch qualifizierte Fachkräfte und unter Einsatz passender, zugelassener Originalteile warten. *Dies sorgt dafür, dass die Sicherheit des Elektrowerkzeugs nicht beeinträchtigt wird.*

VORSICHT

Von Kindern und gebrechlichen Personen fernhalten. Werkzeuge sollten bei Nichtgebrauch außerhalb der Reichweite von Kindern und gebrechlichen Personen aufbewahrt werden.

FÜR SCHLEIF- UND TRENNSCHLEIFARBEITEN GELTENDE SICHERHEITSHINWEISE

- a) Dieses Elektrowerkzeug kann als Schleif- oder Trennschleifwerkzeug eingesetzt werden. Bitte beachten Sie sämtliche mit diesem Gerät gelieferten Sicherheitshinweise, Anweisungen, Illustrationen und technischen Angaben. *Wenn nicht sämtliche nachstehenden Anweisungen befolgt werden, kann es zu Stromschlag, Feuergefahr und/oder ernsthaften Verletzungen kommen.*
- b) Es wird nicht empfohlen, Arbeiten wie Sandpapierschleifen, Drahtbürsten oder Polieren mit diesem Elektrowerkzeug auszuführen. *Arbeiten, für die dieses Elektrowerkzeug nicht konzipiert wurde, könnten eine Gefahr darstellen, die zu Verletzungen oder Geräteschäden führen könnten.*
- c) Verwenden Sie keine Zubehörteile, die nicht speziell vom Hersteller für die Verwendung mit dem Werkzeug konzipiert und empfohlen wurden. *Der Umstand, dass ein Zubehörteil an dem Elektrowerkzeug angebracht werden kann, bedeutet nicht, dass damit ein sicherer Betrieb garantiert ist.*
- d) Die Nenndrehzahl des Schleifkörpers muss mindestens der maximalen auf dem Elektrowerkzeug angegebenen Drehzahl entsprechen. *Schleifkörper, die mit einer höheren Geschwindigkeit als ihrer Nenndrehzahl betrieben werden, können zerbersten und in Folge können Bruchstücke davon weggeschleudert werden.*
- e) Außendurchmesser und Dicke des Schleifkörpers müssen den Maßangaben Ihres Elektrowerkzeugs entsprechen. *Falsch bemessene Schleifkörper können nicht ausreichend abgesichert oder bei Arbeit nicht ausreichend kontrolliert werden.*
- f) Schleifscheiben, Flansche, Schleifteller oder anderes Zubehör müssen genau auf die Schleifspindel Ihres Elektrowerkzeugs passen. *Einsatzwerkzeuge, die nicht genau auf die Schleifspindel des Elektrowerkzeugs passen, laufen mit Unwucht, vibrieren sehr stark und können zu einem Verlust der Kontrolle über das Werkzeug führen.*
- g) Benutzen Sie niemals beschädigte Schleifkörper. Überprüfen Sie vor jedem Gebrauch Einsatzwerkzeuge wie Schleifkörper auf Absplinterungen und Risse, Schleifteller auf Sprünge, Risse oder starke Abnutzung, Drahtbürsten auf lose oder gebrochene Drähte. Wenn das Elektrowerkzeug oder der Schleifkörper herunter fällt, überprüfen Sie es/ihn auf Beschädigung oder montieren Sie einen unbeschädigten Schleifkörper. Lassen Sie nach Prüfung und Montage des Schleifkörpers das Elektrowerkzeug eine Minute lang mit maximaler Leerlaufdrehzahl laufen. Achten Sie dabei darauf, dass Sie und alle anderen in der Nähe befindlichen Personen sich außerhalb der Rotationsebene des Schleifkörpers aufhalten. *Normalerweise zerbersten schadhafte Schleifwerkzeuge bei einem solchen Probelauf.*
- h) Tragen Sie eine Schutzausrüstung. Benutzen Sie je nach Anwendung Gesichtsschutz oder Schutzbrille. Soweit angemessen, tragen Sie eine Staubmaske, einen Gehörschutz, Handschuhe sowie eine Arbeitsschürze, die geeignet sind, Sie vor Schleifkörper- und Werkstückteilchen zu schützen.

Die Schutzbrille muss sich eignen, die bei unterschiedlichen Arbeiten weggeschleuderten Partikel abzuwehren. Die Staub- oder die Atemschutzmaske muss in der Lage sein, die bei der Arbeit entstehenden Partikel zu filtern. Eine dauerhaft hohe Lärmbelastung kann zu Gehörverlust führen.

- i) **Halten Sie umstehende Personen von Ihrem Arbeitsbereich fern. Jeder, der den Arbeitsbereich betritt, muss eine Schutzausrüstung tragen.**
Werkstückteilen oder Stücke gebrochener Schleifkörper können weggeschleudert werden und auch außerhalb des unmittelbaren Arbeitsbereiches Verletzungen verursachen.
- j) **Falls der Schleifkörper bei der Arbeit mit versteckt liegenden Leitungen oder mit der Anschlussleitung des Elektrowerkzeugs selbst in Berührung kommen kann, halten Sie das Elektrowerkzeug nur an seinen isolierten Griffflächen.**
Schleifkörper, die in Kontakt mit einer spannungsführenden Leitung kommen, können die Metallteile des Elektrowerkzeugs spannungsführend machen und dem Bediener einen elektrischen Schlag versetzen.
- k) **Halten Sie die Anschlussleitung des Elektrowerkzeugs stets vom drehenden Schleifkörper fern.**
Falls Sie die Kontrolle über das Elektrowerkzeug verlieren, kann die Anschlussleitung durchtrennt oder erfasst werden, und Ihre Hand oder Ihr Arm in das sich drehende Einsatzwerkzeug geraten.
- l) **Legen Sie das Elektrowerkzeug niemals ab, bevor der Schleifkörper vollständig zum Stillstand gekommen ist.**
Der sich drehende Schleifkörper kann in Berührung mit der Ablagefläche geraten, wodurch Sie die Kontrolle über das Elektrowerkzeug verlieren können.
- m) **Lassen Sie das Elektrowerkzeug nicht laufen, während Sie es tragen.**
Der sich drehende Schleifkörper kann bei versehentlicher Berührung Ihre Kleidung erfassen und in Ihren Körper gezogen werden.
- n) **Reinigen Sie regelmäßig die Lüftungsöffnungen des Elektrowerkzeugs. Das Motorgebläse zieht Staub in das Gehäuse.**
Übermäßige Ansammlungen von Metallstaub könnten zu elektrischen Gefährdungen führen.
- o) **Verwenden Sie das Elektrowerkzeug nicht in der Nähe entflammbarer Materialien.**
Funken könnten diese Materialien entzünden.
- p) **Verwenden Sie keine Zubehörteile, die flüssige Kühlmittel erfordern.**
Die Verwendung von Wasser oder anderen flüssigen Kühlmitteln kann zu einem elektrischen Schlag oder Schock führen.

RÜCKSCHLAG UND DAZU GEHÖRIGE SICHERHEITSHINWEISE

Rückschlag ist die plötzliche Reaktion infolge eines Verklemmens oder Verhakens eines drehenden Schleifkörpers, eines Schleiftellers oder einer Drahtbürste etc. Dieses Verklemmen oder Verhaken führt zu einem plötzlichen Stopp des rotierenden Schleifkörpers, wodurch ein unkontrolliertes Elektrowerkzeug an der Blockierstelle ruckartig gegen die Drehrichtung des Schleifkörpers bewegt wird.

Wenn beispielsweise eine Schleifscheibe im Werkstück verklemmt oder verhakt wird, kann sich die Kante der in die Blockierstelle eindringenden Schleifscheibe in die Oberfläche des Werkstücks graben, wodurch die Schleifscheibe ausbrechen oder einen Rückschlag verursachen kann. Je nach Drehrichtung der Scheibe an der Blockierstelle kann sich die Schleifscheibe dabei auf die Bedienperson zu oder von ihr weg bewegen. Schleifscheiben können unter diesen Umständen auch brechen.

Zum Rückschlag kommt es in Folge einer falschen und/oder nicht ordnungsgemäßen Verwendung des Elektrowerkzeugs. Dies kann durch geeignete Vorsichtsmaßnahmen vermieden werden, die im Folgenden beschrieben werden.

- a) **Halten Sie das Elektrowerkzeug stets gut fest und bringen Sie Ihren Körper und Ihren Arm in eine Position, in der Sie mögliche Rückschlagkräfte abfangen können. Verwenden Sie immer den Zusatzgriff, falls vorhanden, um beim Hochlauf die größtmögliche Kontrolle über Rückschlagkräfte oder Reaktionsmomente zu haben.**
Der Bediener kann Rückschlagkräfte oder Reaktionsmomente durch geeignete Vorsichtsmaßnahmen beherrschen.
- b) **Bringen Sie Ihre Hand nie in die Nähe rotierenden Einsatzwerkzeuge.**
Das Einsatzwerkzeug könnte sich beim Rückschlag über Ihre Hand bewegen.
- c) **Meiden Sie den Bereich, in den sich das Elektrowerkzeug bei einem Rückschlag bewegen würde.**
Durch den Rückschlag wird das Elektrowerkzeug ruckartig entgegen der Drehrichtung der Schleifscheibe an der Blockierstelle bewegt.
- d) **Arbeiten Sie besonders vorsichtig im Bereich von Ecken und scharfen Kanten etc. Verhindern Sie, dass Einsatzwerkzeuge vom Werkstück zurückprallen und verklemmen.**
An Ecken und scharfen Kanten oder beim Abprallen neigen rotierende Einsatzwerkzeuge dazu, sich zu verklemmen, was in weiterer Folge zum Verlust der Kontrolle des Werkzeugs oder zum Rückschlag führt.
- e) **Verwenden Sie kein Ketten- oder gezähntes Sägeblatt.**
Solche Einsatzwerkzeuge führen häufig zu Rückschlag oder zum Verlust der Kontrolle über das Elektrowerkzeug.

BESONDERE SICHERHEITSHINWEISE FÜR SCHLEIF- BZW. TRENNSCHLEIFARBEITEN

- a) **Verwenden Sie lediglich die für Ihr Elektrowerkzeug zugelassenen Schleifkörper und die für diese Schleifkörper vorgesehene Schutzhaube.**
Schleifkörper, die nicht für das Elektrowerkzeug vorgesehen sind, können nicht ausreichend abgeschirmt werden und ihre Verwendung ist daher nicht sicher.
- b) **Die Schutzhaube muss sicher am Elektrowerkzeug befestigt und so positioniert sein, dass der kleinstmögliche Teil des Schleifkörpers offen zur Bedienperson zeigt und somit ein Höchstmaß an Sicherheit garantiert wird.**

Die Schutzhaube soll die Bedienperson vor Bruchstücken defekter Schleifkörper und versehentlichem Kontakt mit dem Schleifkörper schützen.

- c) **Schleifkörper dürfen nur für die jeweils vorgesehenen Einsatzmöglichkeiten verwendet werden. Schleifen Sie beispielsweise nie mit der Seitenfläche einer Trennscheibe.**
Trennscheiben sind zum Abtragen von Material durch die Scheibenkante bestimmt und können bei seitlicher Krafteinwirkung auf den Schleifkörper zerbrechen.
- d) **Verwenden Sie immer unbeschädigte Flansche in der für die gewählte Schleifscheibe passenden Größe und Form.**
Passende Flansche stützen die Schleifscheibe und verringern so die Gefahr eines Zerbrechens der Schleifscheibe. Flansche für Trennscheiben können sich von Flanschen für andere Schleifscheiben unterscheiden.
- e) **Verwenden Sie niemals durch größere Elektrowerkzeuge abgenutzte Schleifscheiben.**
Für größere Elektrowerkzeuge konzipierte Schleifscheiben sind nicht für die höheren Drehzahlen kleinerer Elektrowerkzeuge ausgelegt und können brechen.

WEITERE SICHERHEITSHINWEISE ZU TRENSCHLEIFARBEITEN

- a) **Vermeiden Sie ein Blockieren der Trennscheibe oder das Ausüben übertriebener Drucks auf die Trennscheibe. Versuchen Sie nicht, übermäßig tiefe Schnitte auszuführen.**
Durch das Überlasten der Trennscheibe erhöht sich deren Beanspruchung und die Anfälligkeit zum Verkanten oder Blockieren und damit die Möglichkeit eines Rückschlags oder Zerbrechens des Schleifkörpers.
- b) **Meiden Sie den Bereich vor und hinter der rotierenden Trennscheibe.**
Bewegt sich die Trennscheibe im Werkstück von Ihnen weg, so kann im Falle eines Rückschlags das Elektrowerkzeug mit der sich drehenden Scheibe direkt auf Sie zugeschleudert werden.
- c) **Falls die Trennscheibe verklemmt oder Sie die Arbeit aus irgendeinem Grund unterbrechen müssen, schalten Sie das Elektrowerkzeug aus und halten Sie es an derselben Stelle, bis die Scheibe völlig zum Stillstand gekommen ist. Versuchen Sie niemals, eine noch laufende Trennscheibe aus dem Schnitt zu ziehen, sonst kann dies zu einem Rückschlag führen.**
Ermitteln und beheben Sie die Ursache für das Verklemmen der Scheibe.
- d) **Schalten Sie das Elektrowerkzeug nicht wieder ein, solange es sich noch im Werkstück befindet. Warten Sie nach dem Einschalten bis die Trennscheibe ihre volle Geschwindigkeit erreicht hat, bevor Sie das Werkzeug vorsichtig wieder in den Schnitt einsetzen. Ansonsten kann die Scheibe blockieren, aus dem Werkstück springen oder einen Rückschlag verursachen.**

ALLGEMEINE SICHERHEITSHINWEISE FÜR AKKU-WINKELSCHLEIFER

- Vergewissern Sie sich, dass die auf der Scheibe angegebene Geschwindigkeit mit der Sollgeschwindigkeit des Schleifers übereinstimmt oder diese übertrifft;
- Achten Sie darauf, dass die Abmessungen der Scheibe mit dem Schleifer kompatibel sind;
- Schleifscheiben müssen sorgfältig und in Übereinstimmung mit den Anweisungen des Herstellers gelagert und verwendet werden;
- Überprüfen Sie die Schleifscheibe vor dem Einsatz, verwenden Sie keine angeschlagenen, gebrochenen oder sonstwie defekte Produkte;
- Achten Sie darauf, dass Scheiben und Gegenstücke gemäß den Anweisungen des Herstellers angebracht werden;
- Denken Sie daran, mit dem Verbundprodukt gelieferte Papierflansche zu verwenden, wenn diese benötigt werden;
- Achten Sie darauf, dass das Schleifmittel vor dem Einsatz richtig montiert und angezogen wird, lassen Sie das Werkzeug 30 Sekunden lang unbelastet in einer sicheren Position laufen, stoppen Sie das Gerät sofort, falls Sie deutliche Vibrationen oder andere Defekte bemerken sollten. Falls dies eintritt, überprüfen Sie das Gerät und versuchen Sie, die Ursache herauszufinden;
- Falls das Werkzeug mit einer Schutzeinrichtung ausgerüstet ist, benutzen Sie das Werkzeug niemals ohne diese Schutzeinrichtung;
- Verwenden Sie keine separaten Reduzierhülsen oder Adapter, um Schleifscheiben mit großem Lochdurchmesser zu montieren;
- Bei Werkzeugen, die zum Einsatz mit Gewinde-Schleifscheiben vorgesehen sind, vergewissern Sie sich, dass das Gewinde in der Scheibe lang genug ist, um die Welle in ganzer Länge aufzunehmen;
- Vergewissern Sie sich, dass das Werkstück richtig gestützt wird;
- Verwenden Sie keine Trennscheiben für seitliche Schleifarbeiten;
- Achten Sie darauf, dass bei der Arbeit entstehende Funken keine Unfälle verursachen – keine Personen treffen oder entflammare Materialien entzünden;
- Sorgen Sie dafür, dass Belüftungsöffnungen jederzeit frei bleiben, wenn Sie unter staubigen Bedingungen arbeiten. Falls Staub beseitigt werden muss, ziehen Sie zuerst den Netzstecker (verwenden Sie dafür keine Metallgegenstände) und vermeiden Sie Beschädigungen von innen liegenden Teilen;
- Tragen Sie grundsätzlich eine Schutzbrille und einen Gehörschutz. Darüber hinaus sollten Sie in eine persönliche Schutzausrüstung wie Staubmaske, Handschuhe, Helm und Schürze tragen;
- Geben Sie gut auf die Scheibe acht; nach dem Ausschalten des Werkzeuges dreht sich diese noch eine Zeit lang weiter.
- Die Batterie immer bei einer Temperatur von 0 – 40°C laden.
Laden bei einer Temperatur die niedriger als 0°C ist twird gefährliche Überladung verursachen. Die Batterie kann nicht bei einer Temperatur über 40°C geladen werden. Die beste Temperatur zum Laden wäre von 20 – 25°C.

- Das Ladegerät nicht fortlaufend laden. Nach Beendigung einer Ladung, lassen Sie das Ladegerät ungefähr 15 Minuten ruhen bevor die nächste Batterieladung unternommen wird.
 - Keine Fremdkörper durch das Anschlußloch der Batterie eindringen lassen.
 - Niemals die Batterie und das Ladegerät auseinandernehmen.
 - Niemals die Batterie kurzschließen.
 - Kurzschluß der Batterie verursacht eine zu große Stromzufuhr und Überhitzung, wodurch Durchbrennen oder Schaden beider Batterie entsteht.
 - Die Batterie nicht ins Feuer werfen. Sie könnte dabei explodieren.
 - Darauf achten, daß keine Gegenstände durch Belüftungsschlitze des Aufladers in das Gerät eindringen.
Wenn Metallobjekte oder entzündliche Gegenstände durch die Belüftungsschlitze des Aufladers eindringen, kann dies zu elektrischen Schlägen führen oder den Auflader beschädigen.
 - Bringen Sie die Batterie zum Geschäft, wo Sie ihn gekauft haben sobald die Lebensdauer der Batterie abrinnet. Die erschöpfte Batterie nicht wegwerfen.
 - Benutzung verbrauchter Batterie beschädigt den Auflader.
2. Achten Sie darauf, dass die Batterie nicht durch einen spitzen Gegenstand, beispielsweise einen Nagel, beschädigt wird. Vermeiden Sie Schläge mit dem Hammer. Treten Sie nicht gegen die Batterie, werfen Sie diese nicht, und vermeiden Sie Stöße.
 3. Beschädigte oder verformte Batterien dürfen nicht weiter verwendet werden.
 4. Achten Sie auf den richtigen Anschluss der Pole.
 5. Schließen Sie die Batterie nicht direkt an elektrische Ausgänge oder Zigarettenanzünder im Auto an.
 6. Verwenden Sie die Batterie nur für den angegebenen Zweck.
 7. Falls die Batterie nach Verstreichen der angegebenen Ladezeit nicht vollständig aufgeladen ist, brechen Sie den Ladevorgang unverzüglich ab.
 8. Vermeiden Sie hohe Temperaturen und hohen Druck, wie er beispielsweise in der Mikrowelle, einem Trockner oder einem Hochdruckbehälter auftritt.
 9. Wenn Sie ein Leck oder Rußgeruch feststellen, vermeiden Sie jeglichen Kontakt mit Feuerstellen.
 10. Vermeiden Sie eine Verwendung an Orten, an denen starke statische Elektrizität erzeugt wird.
 11. Werden ein Leck, Rußgeruch, Erwärmung, Verfärbungen, Verformungen oder sonstige Anomalitäten während der Verwendung, des Aufladens oder der Lagerung festgestellt, entfernen Sie die Batterie unverzüglich vom Gerät oder dem Ladegerät und beenden Sie die Anwendung.

WARNUNG ZUM LITHIUM-IONEN-AKKU

Um die Lebensdauer des Lithium-Ionen-Akkus zu verlängern, ist dieser mit einer Schutzfunktion zum Stoppen der Leistungsabgabe ausgestattet. In den unten beschriebenen Fällen 1 und 2 kann bei der Benutzung dieses Produkts der Motor abschalten, selbst wenn Sie den Schalter drücken. Dies ist kein Defekt sondern das Resultat der Schutzfunktion.

1. Wenn die verbleibende Akkuleistung nicht mehr ausreichend, schaltet der Motor ab. Laden Sie in einem solchen Fall den Akku umgehend auf.
2. Wenn das Werkzeug überlastet ist, kann es zum Abschalten des Motors kommen. Lassen Sie in diesem Fall den Schalter des Geräts los und beseitigen Sie die Ursache der Überlastung. Danach können Sie das Gerät wieder verwenden. Bitte beachten Sie die folgenden Warnhinweise.

WARNUNG

Zur Vermeidung einer ausgelaufenen Batterie, Erwärmung, Rauchentwicklung, Explosionen und vorzeitiger Zündung beachten Sie bitte die folgenden Vorsichtsmaßnahmen.

1. Stellen Sie sicher, dass sich Späne und Staub nicht auf der Batterie ansammeln.
- Stellen Sie während der Arbeit sicher, dass Späne und Staub nicht auf die Batterie fallen.
 - Stellen Sie sicher, dass Staub und Späne, die während der Bearbeitung auf das Elektrowerkzeug fallen, nicht in die Batterie gelangen.
 - Lagern Sie ungebrauchte Batterien nicht an Plätzen, an denen Staub oder Späne anfallen.
 - Vor dem Einlagern einer Batterie sind sämtlicher Staub und Späne zu entfernen. Weiterhin ist zu berücksichtigen, dass die Batterie nicht gemeinsam mit Metallteilen (Schrauben, Nägel, usw.) zu lagern ist.

VORSICHT

1. Tritt die auslaufende Flüssigkeit in Kontakt mit Ihren Augen, reiben Sie diese nicht, sondern waschen Sie sie mit sauberem (Leitungs-) Wasser gut aus und suchen Sie unverzüglich einen Arzt auf. Ohne sachgemäße Behandlung können Augenverletzungen auftreten.
2. Wenn die ausgelaufene Flüssigkeit auf Haut oder Kleidung trifft, waschen Sie diese unverzüglich mit sauberem Wasser ab.
3. Es besteht die Gefahr von Hautreizungen. Beim Auftreten von Rost, Rußgeruch, Erwärmung, Verfärbungen, Verformungen oder sonstigen Anomalitäten während der ersten Verwendung der Batterie, ist diese nicht weiter zu verwenden. Bringen Sie die Batterie zum Händler oder Verkäufer zurück.

TECHNISCHE DATEN

Akku-Winkelschleifer

Modell	G18DL(S)	
Spannung	18V	
Leerlaufdrehzahl	9100 min ⁻¹	
Schleifscheibe	Außendurchmesser x Innendurchmesser	125 x 22 mm
	Umfangsgeschwindigkeit	80 m/s
Aufladbare Batterie	3,0 Ah	EBM1830: Li-ion (10 zellen)
Gewicht	1,9 Kg	

Ladegerät

Modell	UC18YRL	
Ladespannung	7,2 – 18 V	
Ladezeit	2,0 Ah : Ni-Cd	30 min.
	2,6 Ah : Ni-MH	40 min.
	3,0 Ah : Ni-MH	45 min.
	3,3 Ah : Ni-MH	50 min.
	3,0 Ah : Li-ion	45 min.
Gewicht	0,6 kg	

Die Ladezeit ist eine ungefähre Angabe. Die tatsächliche Ladezeit kann variieren.

STANDARDZUBEHÖR

G18DL(S) (2MRK)	① Schleifscheibe	1
	② Schlüssel	1
	③ Handgriff	1
	④ Ladegerät	1
	⑤ Batterie	2
	⑥ Plastikgehäuse	1
G18DL(S) (MRK)	① Schleifscheibe	1
	② Schlüssel	1
	③ Handgriff	1
	④ Ladegerät	1
	⑤ Batterie	1
	⑥ Plastikgehäuse	1
G18DL(S) (NN)	Ohne Ladegerät, Batterie, Plastikgehäuse	

Das Standardzubehör kann ohne vorherige Bekanntmachung jederzeit geändert werden.

ANWENDUNGSGEBIETE

- Entfernung von Gußgrat und Endbearbeitung verschiedener Stahlqualitäten, Bronze- und Aluminiummaterialien und Gußteile.
- Schleifen von geschweißten Stücken oder von durch Brennschneiden hergestellten Abschnitten.
- Schleifen von Kunstharz, Schiefer, Ziegelstein, Marmor, usw.
- Beim Schneiden von synthetischem Zement, Steinen, Mauersteinen, Marmor und ähnlichen Materialien.

HERAUSNEHMEN/EINSETZEN DER BATTERIE

1. Herausnehmen der Batterie

Halten Sie den Griff fest in der Hand und drücken Sie die Akkumulatorverriegelung, um den Akku herauszunehmen (siehe **Abb. 1**).

ACHTUNG

Die Kontakte des Batterie niemals kurzschließen.

2. Einsetzen des Batterie

Legen Sie den Akku ein und achten Sie dabei auf die Polarität +/- (siehe **Abb. 1**).

LADEN

Vor Gebrauch des Akku-Winkelschleifers, den Akkumulator wie folgt laden.

1. Den Netzstecker des Ladegerätes in eine Steckdose einstecken

Beim Anschluß des Ladegerätes an eine Netzsteckdose blinkt die Kontrolllampe in Rot auf (In Sekundenabständen).

2. Eine Batterie in das Ladegerät einlegen.

Schieben Sie die Batterie fest ein, bis sie den Boden des Aufladefachs berührt.

ACHTUNG

- Wenn die Batterie verkehrt herum eingelegt wird, kann nicht nur die Batterie nicht geladen werden, sondern es kann auch zu Verformung der Ladeklemmen oder anderen Störungen im Ladegerät kommen.

3. Anzeigelämpchen

Beim Einlegen einer Batterie in das Ladegerät wird der Ladevorgang fortgesetzt, und leuchtet die Kontrolllampe kontinuierlich in Rot auf. Wenn die Batterie voll aufgeladener ist, blinkt die Kontrolllampe in Rot (in Sekundenabständen) (Siehe **Tafel 1**).

- (1) Anzeigelämpchen
Die Kontrolllampe leuchtet auf, wie in **Tafel 1** gezeigt, entsprechend dem Zustand des verwendeten Ladegeräts für die Akkubatterie.

Tafel 1

Anzeigen der Kontrolllampe		
Vor dem Laden	Blinkt (ROT)	Leuchtet für 0,5 Sekunden. Erlischt für 0,5 Sekunden. (aus für 0,5 Sekunden)
Beim Laden	Leuchtet (ROT)	Leuchtet kontinuierlich
Laden durchgeführt	Blinkt (ROT)	Leuchtet für 0,5 Sekunden. Erlischt für 0,5 Sekunden. (aus für 0,5 Sekunden)
Laden unmöglich	Flackert (ROT)	Leuchtet für 0,1 Sekunden. Erlischt für 0,1 Sekunden. (aus für 0,1 Sekunden)
Wegen Überhitzung angehalten	Leuchtet (GRÜN)	Leuchtet kontinuierlich (aus für 0,1 Sekunden)
		Betriebsstörung in der batterie oder im Ladegerät.
		Akku überhitzt. Laden nicht möglich (Ladevorgang wird nach Abkühlen des Akkus gestartet).

HINWEIS: Beim Modell UC18YRL wird der Akku während der Wartephase durch einen Lüfter gekühlt.

- (2) Über die Temperatur der Akkubatterie
Die Temperatur von Akkubatterien ist wie in der folgenden Abbildung gezeigt, und Batterien, die sich zu stark erhitzt haben, sollten sich vor dem Aufladen etwas abkühlen.
- Da der eingebaute Mikrocomputer bei herausgenommener UC18YRL etwa 3 Sekunden braucht, um zu bestätigen, dass die Batterie geladen wird, warten Sie mindestens 3 Sekunden, bevor Sie diese wieder einschieben, um das Laden fortzusetzen. Wird die Batterie während dieser 3 Sekunden wieder eingeschoben, kann es sein, dass sie nicht richtig aufgeladen wird.

Tafel 2 Aufladebereiche für Batterie

Ladegerät	UC18YRL
Akkubatterien	
Ni-Cd – Batterien	-5°C – 55°C
Ni-MH – Batterien	-5°C – 50°C
Li-ion – Batterien	0°C – 50°C

4. Den Netzstecker des Ladegeräts aus der Steckdose ziehen
5. Das Ladegerät festhalten und die Batterie herausziehen

HINWEIS

Achten Sie darauf, die Batterie nach der Verwendung aus dem Ladegerät zu nehmen und sie aufzubewahren.

ACHTUNG

- Wenn die Akkubatterie geladen wird, während sie erhitzt ist weil sie sich längere Zeit im direkten Sonnenlicht befunden hat, oder weil sie gerade gebraucht wurde, kann es sein, daß die Kontrolllampe des Ladegeräts in Grün leuchtet. In diesem Fall zuerst die Batterie abkühlen lassen und erst dann mit dem Aufladen beginnen.
- Wenn das Kontrolllampe in schneller Folge in Rot flackert (in 0,2-Sekunden-Abständen), nachsehen ob Fremdkörper im Batteriefach sind und diese ggf. herausnehmen. Wenn keine Fremdkörper im Batteriefach sind, liegt wahrscheinlich eine Fehlfunktion bei der Batterie oder beim Ladegerät vor. Die Teile vom autorisierten Kundendienst prüfen lassen.

Zur Leistung von neuen Batterien

Da die Chemikalien in neuen bzw. in längere Zeit nicht verwendeten Akkus nicht aktiviert sind, kann die elektrische Entladung bei der ersten und zweiten Verwendung gering sein. Dies ist eine vorübergehende Erscheinung, und die normale Batterieleistung wird nach zwei-oder dreimaligem Aufladen der Batterien wieder hergestellt.

Verlängerung der Lebensdauer von Batterien

- (1) Die Batterien aufladen, bevor sie völlig erschöpft sind. Wenn festgestellt wird, daß die Leistung des Werkzeugs nachläßt, mit der Arbeit aufhören und die Batterie aufladen.
Wenn das Werkzeug weiter verwendet wird und die Batterie völlig erschöpft wird, kann die Batterie beschädigt und ihre Lebensdauer verkürzt werden.
- (2) Nicht bei hohen Temperaturen aufladen.
Eine Akkubatterie erhitzt sich bei der Verwendung. Wenn solch eine Batterie sofort nach der Verwendung aufgeladen wird, werden die Batteriechemikalien beeinträchtigt, und die Batterielebensdauer nimmt ab. Die Batterie etwas stehen lassen und erst aufladen, wenn sie sich abgekühlt hat.

VOR INBETRIEBNAHME

- 1. Vorbereitung und Kontrolle des Arbeitsbereichs**
Darauf achten, daß der Arbeitsplatz den im Vorsichtsmaßnahmen-Abschnitt erläuterten Bedingungen entspricht.
- 2. Prüfen der Batterie**
Nachsehen, ob die Batterie sicher und fest sitzt. Eine locker eingesetzte Batterie kann herausfallen und stellt somit eine Gefahr dar.
- 3. Anbringen und Einstellen der Schutzhaube**
Die Schutzhaube ist eine Schutzvorrichtung, durch die Schaden verhindert werden soll, wenn die Schleifscheibe während des Betriebs zerbrechen sollte. Es ist darauf zu achten, daß die Haube ordnungsgemäß angebracht und befestigt ist, ehe mit der Schleifarbeit begonnen wird. Durch geringfügiges Lockern der Arretierschraube kann die Schutzhaube gedreht und in jedem gewünschten Winkel zur Erzielung maximaler Leistung eingestellt werden. Es ist sicherzustellen, daß die Arretierschraube nach dem Einstellen der Schutzhaube ordnungsgemäß angezogen wird.
- 4. Stellen Sie sicher, daß die angebrachte Schleifscheibe und die anderen Teile entsprechend den Anweisungen des Herstellers angebracht sind.** Es ist weiter darauf zu achten, daß die zu verwendende Schleifscheibe die richtige Ausführung und ohne Risse und Oberflächenfehler ist. Es ist auch darauf zu achten, daß die Schleifscheibe richtig montiert und die Mutter der Schleifscheibe fest angezogen ist. Siehe Abschnitt "ANBRINGEN UND ABNEHMEN DER SCHLEIFSCHEIBE". Stellen Sie sicher, daß Beilegscheiben verwendet werden, wenn diese mit Schleifscheiben aus gebundenem Schleifmittel mitgeliefert werden und erforderlich sind.
Verwenden Sie keine separaten Reduzierbuchsen oder Adapter zum Anpassen von Schleifscheiben mit einem großen Loch.
Stellen Sie für Werkzeuge für Verwendung mit einer Schleifscheibe mit Gewindeloch sicher, daß das Gewinde in der Schleifscheibe lang genug ist, um die Spindellänge aufzunehmen.
Verwenden Sie eine Trennscheibe nicht zum Seitenschleifen.
- 5. Durchführung eines Probelaufs**
Stellen Sie vor der Verwendung sicher, daß das Schleiferzeugnis korrekt angebracht und fest angezogen ist, und lassen Sie das Werkzeug ohne Last 30 Sekunden an einer sicheren Position laufen. Halten Sie das Werkzeug sofort an, wenn beträchtliche Vibrationen auftreten oder Defekte festgestellt werden. Wenn ein solcher Zustand eintritt, so überprüfen Sie die Maschine, um die Ursache zu finden.
- 6. Überprüfen der Druckknopf:**
Es ist zu überprüfen, ob die Druckknopf freigegeben ist, indem zwei- oder dreimal vor Einschalten des Gerätes auf die Druckknopf gedrückt wird (siehe **Abb. 2**).
- 7. Anbringen des Handgriffs**
Den Handgriff in den Getriebedeckel einschrauben.

PRAKTISCHE SCHLEIFARBEIT

- 1. Druck**
Zur Verlängerung der Lebensdauer Maschine und für erstklassige Arbeit ist es wichtig, daß die Maschine nicht durch zu starken Druck überbelastet wird. Bei den meisten Anwendungen reicht das Gewicht der Maschine für effektives Schleifen aus. Zu starker Druck führt zu verminderter Drehzahl, unbefriedigendem Oberflächenaussehen und einer Überbelastung, die die Lebensdauer der Maschine vermindern könnte.
- 2. Schleifwinkel**
Nicht die gesamte Fläche der Schleifscheibe auf das zu schleifende Material auflegen. Die Maschine sollte, wie in **Abb. 1** dargestellt ist, in einem Winkel von $15^\circ - 30^\circ$ gehalten werden, so daß die Außenkante der Schleifscheibe das Werkstück in einem optimalen Winkel berührt.
- 3. Damit sich eine neue Schleifscheibe nicht in das Werkstück hineingräbt, sollte zu Anfang die Schleifarbeit so durchgeführt werden, daß der Winkelschleifer über das Werkstück zum Bedienungsmann gezogen wird (**Abb. 1 Richtung B**).** Wenn die Vorderkante der Schleifscheibe entsprechend abgeschliffen ist, kann das Schleifen in beiden Richtungen durchgeführt werden.
- 4. Vorsichtsmaßnahmen unmittelbar nach Beendigung der Arbeit**
Die Schleifscheibe dreht sich auch nach dem Ausschalten des Werkzeugs noch weiter. Nach dem Ausschalten darf die Maschine erst abgelegt werden, wenn die Schleifscheibe völlig zum Stillstand gekommen ist. Abgesehen vom Vermeiden ernsthafter Unfälle wird durch diese Vorsichtsmaßnahmen vermieden, daß Staub und Späne in die Maschine gesaugt werden.

HINWEIS

- Dieses Gerät ist zur Vermeidung von Unfällen mit einer Funktion ausgestattet, die unerwartete Motordrehungen beim Einfügen der Batterie verhindert. Wenn die Batterie eingelegt wird und sich der Schalter noch in der Position „EIN“ befindet, kann der Motor nicht betätigt werden. Schalten Sie nach Einlegen der Batterie den Schalter aus, und schalten Sie dann das Gerät wieder ein.
- Das Modell G18DL(S) ist mit einer Schutzfunktion ausgestattet, die das Werkzeug im Falle einer Überlastung ausschaltet.
Wird das Werkzeug aufgrund einer Überlastung ausgeschaltet, schalten Sie das Werkzeug aus und dann erneut ein.
Wird der Betrieb des Werkzeugs aufgrund einer Überlastung für mehr als 10 Sekunden unterbrochen, so ist es für die Freigabe nicht ausreichend, das Werkzeug aus- und einzuschalten. In solch einem Fall ist die Batterie aus dem Werkzeug zu entfernen, neu einzulegen und erst dann ist das Werkzeug wieder einzuschalten.

ACHTUNG

- Überprüfen Sie, daß das Werkstück richtig unterstützt ist.

- Überprüfen Sie bei Arbeit an einem staubigen Ort, daß die Ventilationsöffnungen freigehalten werden. Wenn Beseitigung von Staub erforderlich werden sollte, so ziehen Sie zuerst den Stecker des Netzkabels aus der Steckdose (verwenden Sie nichtmetallische Gegenstände) und vermeiden Sie Beschädigung innerer Teile.
- Stellen Sie sicher, daß bei der Verwendung auftretende Funken keine Gefährdung darstellen, d.h. daß sie keine Personen treffen und keine entflammaren Substanzen entzünden.
- Verwenden Sie immer Augen- und Ohrenschutz. Sonstige persönliche Schutzausrüstung wie eine Staubmaske, Handschuhe, ein Helm und eine Schürze sollte getragen werden, wenn sie erforderlich ist.
Tragen Sie im Zweifelsfall Schutzausrüstung.
- Wenn die Maschine nicht benutzt wird, sollte die Batterie herausgenommen werden.

ANBRINGEN UND ABNEHMEN DER SCHLEIFSCHEIBE (Abb. 2)

VORSICHT: Achten Sie darauf, das Gerät auszuschalten und die Batterie herauszunehmen.

1. Anbringen (Abb. 2)

- (1) Legen Sie den Winkelschleifer mit der Oberseite nach unten hin, so dass die Spindel nach oben zeigt.
- (2) Die Beilegscheibe mit den Flachseiten auf die Einkerbungen der Spindel ausgerichtet anbringen.
- (3) Den Vorsprung der Schleifscheibe in die Beilegscheibe einpassen.
- (4) Die Schleifscheibenmutter auf die Spindel schrauben.
- (5) Den Druckknopf mit einer Hand drücken und die Spindel durch langsames Drehen der Schleifscheibe mit der anderen Hand verriegeln.
Die Schleifscheibenmutter mit dem mitgelieferten Schlüssel wie in **Abb. 2** gezeigt anziehen.

2. Abnehmen

Beim Abnehmen wird in umgekehrter Reihenfolge vorgegangen.

VORSICHT

- Prüfen, ob die Schleifscheibe fest angezogen ist.
- Es ist zu überprüfen, ob die Druckknopf freigegeben ist, indem zwei- oder dreimal vor Einschalten des Gerätes auf die Druckknopf gedrückt wird.

WARTUNG UND INSPEKTION

1. Überprüfung der Schleifscheibe

Es ist darauf zu achten, daß die Schleifscheibe ohne Risse und Fehler an der Oberfläche ist.

2. Inspektion der Befestigungsschrauben:

Alle Befestigungsschrauben werden regelmäßig inspiziert und geprüft, ob sie gut angezogen sind. Wenn sich eine der Schrauben lockert, muß sie sofort wieder angezogen werden. Geschieht das nicht, kann das zu erheblichen Gefahren führen.

3. Wartung des Motors

Die Motorwicklung ist das „Herz“ des Elektrowerkzeugs.

Daher ist besonders sorgfältig darauf zu achten, daß die Wicklung nicht beschädigt wird und/oder mit Öl oder Wasser in Berührung kommt.

4. Inspektion der Kohlebürsten (Abb. 4)

Im Motor sind Kohlebürsten verwendet, die Verbrauchsteile sind. Da übermäßig abgenutzte Kohlebürsten Motorstörungen verursachen können, ersetzen Sie die Kohlebürsten durch neue, wenn sie bis zur „Verschleißgrenze“ oder in deren Nähe abgenutzt worden sind. Darüber hinaus müssen die Kohlebürsten immer sauber gehalten werden und müssen sich in der Halterung frei bewegen können.

HINWEIS

Beim Ersetzen der Kohlebürste durch eine neue, eine Hitachi-Kohlebürste mit der Kodenummer 999054 verwenden.

5. Austausch einer Kohlebürste

Nehmen Sie die Kohlebürste heraus, indem Sie zuerst den Bürstendeckel abnehmen und dann den vorstehenden Teil der Kohlebürste mit einem Schlitzschraubenzieher o.ä. herausziehen, wie in **Abb. 6** gezeigt.

Beim Installieren der Kohlebürste wählen Sie die Richtung so, dass der Nagel der Kohlebürste auf den Kontaktteil außerhalb der Bürstenröhre ausgerichtet ist. Schieben Sie die Bürste dann mit einem Finger ein, wie in **Abb. 7** gezeigt. Setzen Sie dann zuletzt den Bürstendeckel auf.

ACHTUNG

Stellen Sie unbedingt sicher, daß die Klaue der Kohlebürste in den Kontaktteil außerhalb des Bürstenrohrs eingeschoben wird (Eine der beiden vorhandenen Klauen muß eingeschoben werden).
Vorsicht ist erforderlich, da Fehler bei dieser Tätigkeit zu einer verformten Klaue der Kohlebürste und frühzeitigen Motorstörungen führen können.

6. Außenreinigung

Ist der Akku-Winkelschleifer verschmutzt, reiben Sie ihn mit einem weichen, trockenen Tuch ab, das mit etwas Seifenwasser befeuchtet ist. Benutzen Sie keine chlorhaltigen Lösungsmittel, Benzin oder Farbverdünnung, da dadurch das Plastik schmelzen kann.

7. Lagern

Lagern Sie den Akku-Winkelschleifer an einem Ort, dessen Temperatur unterhalb 40 °C und der außerhalb der Reichweite von Kindern liegt.

8. Liste der Wartungsteile

- A: Punkt Nr.
- B: Code Nr.
- C: Verwendete Anzahl
- D: Bemerkungen

ACHTUNG

Reparatur, Modifikation und Inspektion von Hitachi-Elektrowerkzeugen müssen durch ein autorisiertes Hitachi-Kundendienstzentrum durchgeführt werden. Diese Teileliste ist hilfreich, wenn sie dem autorisierten Hitachi-Kundendienstzentrum zusammen mit dem Werkzeug für Reparatur oder Wartung ausgehändigt wird.

Bei Betrieb und Wartung von Elektrowerkzeugen müssen die Sicherheitsvorschriften und Normen beachtet werden.

MODIFIKATIONEN

Hitachi-Elektrowerkzeuge werden fortwährend verbessert und modifiziert, um die neuesten technischen Fortschritte einzubauen.

Dementsprechend ist es möglich, daß einige Teile (z.B. Codenummern bzw. Entwurf) ohne vorherige Benachrichtigung geändert werden.

GARANTIE

Auf Hitachi-Elektrowerkzeuge gewähren wir eine Garantie unter Zugrundelegung der jeweils geltenden gesetzlichen und landesspezifischen Bedingungen. Dieses Garantie erstreckt sich nicht auf Gehäusedefekte und nicht auf Schäden, die auf Missbrauch, bestimmungswidrigen Einsatz oder normalen Verschleiß zurückzuführen sind. Im Schadensfall senden Sie das nicht zerlegte Elektrowerkzeug zusammen mit dem GARANTIESCHEIN, den Sie am Ende der Bedienungsanleitung finden, an ein von Hitachi autorisiertes Servicecenter.

ANMERKUNG

Aufgrund des ständigen Forschungs- und Entwicklungsprogramms von HITACHI sind Änderungen der hierin gemachten technischen Angaben nicht ausgeschlossen.

Information über Betriebslärm und Vibration

Die gemessenen Werte wurden entsprechend EN60745 bestimmt und in Übereinstimmung mit ISO 4871 ausgewiesen.

Gemessener A-gewichteter Schallpegel: 85 dB (A)

Gemessener A-gewichteter Schalldruck: 74 dB (A)

Messunsicherheit KpA: 3 dB (A)

Bei der Arbeit immer einen Ohrschutz tragen.

Gesamtvibrationswerte (3-Achsen-Vektorsumme), bestimmt gemäß EN60745.

Oberflächenschleifen:

Vibrationsemissionswert **a_h, a_G** = 9,3 m/s²

Messunsicherheit K = 1,5 m/s²

WARNUNG

- Der Vibrationsemissionswert während der tatsächlichen Benutzung des Elektrowerkzeugs kann von dem deklarierten Wert abweichen, abhängig davon, wie das Werkzeug verwendet wird.
- Zur Festlegung der Sicherheitsmaßnahmen zum Schutz des Bedieners, die auf einer Expositionseinschätzung unter den tatsächlichen Benutzungsbedingungen beruhen (unter Berücksichtigung aller Bereiche des Betriebszyklus, darunter neben der Triggerzeit auch die Zeiten, in denen das Werkzeug ausgeschaltet ist oder im Leerlaufbetrieb läuft).

AVERTISSEMENTS DE SÉCURITÉ GÉNÉRAUX CONCERNANT LES OUTILS ÉLECTRIQUES

AVERTISSEMENT

Lire tous les avertissements de sécurité et toutes les instructions

Tout manquement à observer ces avertissements et instructions peut engendrer des chocs électriques, des incendies et/ou des blessures graves.

Conservez tous les avertissements et toutes les instructions pour vous y référer ultérieurement.

Le terme "outil électrique", utilisé dans les avertissements, se réfère aux outils électriques (câblé) ou aux outils à piles (sans fil).

1) Sécurité sur l'aire de travail

- Maintenir l'aire de travail propre et bien éclairée.**
Les endroits encombrés ou sombres sont propices aux accidents.
- Ne pas utiliser d'outils électriques en présence de liquides, gaz ou poussière inflammables, au risque de provoquer une explosion.**
Les outils électriques créent des étincelles susceptibles d'enflammer la poussière ou les vapeurs.
- Ne pas laisser les enfants et les visiteurs s'approcher de vous lorsque vous utiliser un outil électrique.**
Les distractions peuvent faire perdre le contrôle.

2) Sécurité électrique

- Les prises de l'outil électrique doivent correspondre à la prise secteur.**
Ne jamais modifier la prise.
Ne pas utiliser d'adaptateurs avec les outils électriques mis à la masse.
Les prises non modifiées et les prises secteurs correspondantes réduisent les risques de choc électrique.
- Éviter tout contact avec les surfaces mises à la masse telles que les tuyaux, radiateurs, bandes et réfrigérateurs.**
Le risque de choc électrique est accru en cas de mise à la masse du corps.
- Ne pas exposer les outils électriques à la pluie ou à des conditions humides.**
Si l'eau pénètre dans l'outil, cela augmente les risques de choc électrique.
- Ne pas utiliser le cordon à tort. Ne jamais utiliser le cordon pour transporter ou débrancher l'outil électrique.**
Maintenir le cordon loin de la chaleur, de l'huile, des bords pointus ou des pièces mobiles.
Les cordons endommagés ou usés augmentent les risques de choc électrique.
- En cas d'utilisation d'un outil électrique à l'extérieur, utiliser un cordon de rallonge adapté à un usage extérieur.**
L'utilisation d'un cordon adapté à l'usage extérieur réduit les risques de choc électrique.
- Si vous devez utiliser un outil électrique dans un endroit humide, utilisez une alimentation protégée contre les courants résiduels.**
L'utilisation d'un dispositif de protection contre les courants résiduels réduit le risque de choc électrique.

3) Sécurité personnelle

- Restez alerte, regarder ce que vous faites et usez de votre bon sens en utilisant un outil électrique.**
Ne pas utiliser d'outil électrique si vous êtes sous l'influence de drogues, d'alcool ou de médicaments.
Pendant l'utilisation d'outils électrique, un instant d'inattention peut entraîner des blessures graves.
 - Utiliser un équipement de protection individuelle. Toujours porter des verres de protection.**
L'utilisation d'équipements de protection tels que les masques anti-poussière, les chaussures de sécurité anti-dérapantes, les casques ou les protections auditives dans des conditions appropriées réduisent les risques de blessures.
 - Empêcher les démarrages intempestifs. Veiller à ce que l'interrupteur soit en position d'arrêt avant de brancher à une source d'alimentation et/ou une batterie, de ramasser l'outil au sol ou de le transporter.**
Transporter les outils électriques avec le doigt sur l'interrupteur ou brancher les outils électriques avec l'interrupteur en position de marche peut entraîner des accidents.
 - Retirer toute clé de sécurité ou clé avant de mettre l'outil électrique en marche.**
Laisser une clé ou une clé de sécurité sur une partie mobile de l'outil électrique peut engendrer des blessures.
 - Ne pas trop se pencher. Toujours garder une bonne assise et un bon équilibre pendant le travail.**
Cela permet un meilleur contrôle de l'outil électrique dans des situations imprévisibles.
 - Porter des vêtements adéquats. Ne pas porter de vêtements amples ni de bijoux. Maintenir les cheveux, les vêtements et les gants loin des pièces mobiles.**
Les vêtements amples ou les cheveux longs peuvent se prendre dans les pièces mobiles.
 - En cas de dispositifs destinés au raccordement d'installations d'extraction et de recueil de la poussière, veiller à ce qu'ils soient correctement raccordés et utilisés.**
L'utilisation d'un dispositif de collecte de la poussière peut réduire les dangers associés à la poussière.
- #### 4) Utilisation et entretien d'un outil électrique
- Ne pas forcer sur l'outil électrique. Utiliser l'outil électrique adapté à vos travaux.**
Le bon outil électrique fera le travail mieux et en toute sécurité au régime pour lequel il a été conçu.
 - Ne pas utiliser l'outil électrique si l'interrupteur ne le met pas en position de marche et d'arrêt.**
Tout outil ne pouvant être contrôlé par l'interrupteur est dangereux et doit être réparé.
 - Débrancher la prise et/ou la batterie avant de procéder à des réglages, au remplacement des accessoires ou au stockage des outils électriques.**
Ces mesures préventives de sécurité réduisent les risques de démarrage accidentel de l'outil électrique.
 - Stockez les outils électriques inutilisés hors de la portée des enfants et ne pas laisser des personnes non familiarisées avec l'outil ou ces instructions utiliser l'outil électrique.**
Les outils électriques sont dangereux entre les mains d'utilisateurs non habilités.

- e) **Entretien des outils électriques. Vérifier l'absence de mauvais alignement ou d'arrêt, d'endommagement de pièces ou toute autre condition susceptible d'affecter l'opération de l'outil. Si l'outil est endommagé, le faire réparer avant utilisation.**
De nombreux accidents sont dus à des outils mal entretenus.
- f) **Maintenir les outils coupants aiguisés et propres. Des outils coupants bien entretenus avec des bords aiguisés sont moins susceptibles de se coincer et plus simples à contrôler.**
- g) **Utiliser l'outil électrique, les accessoires et les mèches de l'outil, etc. conformément à ces instructions en tenant compte des conditions d'utilisation et du travail à réaliser.**
L'utilisation de l'outil électrique pour des opérations différentes de celles pour lesquelles il a été conçu est dangereuse.

5) Utilisation et entretien de l'outil à batterie

- a) **Recharger uniquement avec le chargeur spécifié par le fabricant.**
Un chargeur adapté pour un type de batterie peut constituer un risque d'incendie en cas d'utilisation avec une autre batterie.
- b) **Utiliser les outils électriques exclusivement avec les batteries désignées.**
L'utilisation d'autres batteries peut entraîner un risque de blessures et d'incendie.
- c) **Lorsque la batterie n'est pas utilisée la garder à l'écart d'objets métalliques tels que trombones, pièces, clés, clous, vis ou autres petits objets métalliques pouvant interférer avec les bornes de la batterie.**
L'interférence avec les bornes de la batterie peut entraîner des brûlures ou un incendie.
- d) **Dans des conditions extrêmes, du liquide peut couler de la batterie ; éviter tout contact. En cas de contact accidentel, rincer à l'eau. En cas de contact avec les yeux, consulter un médecin.**
Le liquide de la batterie peut entraîner des irritations ou des brûlures.

6) Service

- a) **Faire entretenir l'outil électrique par un technicien habilité à l'aide de pièces de rechange identiques exclusivement.**
Cela garantira le maintien de la sécurité de l'outil électrique.

PRECAUTIONS

Maintenir les enfants et les personnes infirmes éloignés. Lorsque les outils ne sont pas utilisés, ils doivent être rangés hors de portée des enfants et des personnes infirmes.

AVERTISSEMENTS DE SÉCURITÉ COURANTS POUR LES OPÉRATIONS DE MEULAGE OU DE DÉCOUPE PAR ABRASION

- a) **Cet outil électronique est conçu pour une utilisation en tant que meuleuse ou appareil de tronçonnage. Lisez tous les avertissements, instructions, illustrations et spécifications accompagnant le présent outil.**
L'inobservation des instructions énumérées ci-dessous peut entraîner un choc électrique, un incendie et/ou une blessure grave.
- b) **Les opérations telles que le sablage, le brossage métallique ou le polissage ne sont pas recommandées à l'aide du présent appareil.**
Toute utilisation de cet appareil à une fin autre que celles prévues est dangereuse et peut provoquer une blessure corporelle.
- c) **N'utilisez pas d'accessoires autres que ceux spécifiquement désignés et recommandés par le fabricant.**
Le fait de pouvoir fixer un accessoire sur l'appareil ne signifie pas que son utilisation est sécurisée.
- d) **La vitesse nominale de l'appareil doit être au moins égale à la vitesse maximale indiquée sur l'outil électrique.**
Les accessoires utilisés à une vitesse supérieure à la vitesse nominale peuvent se briser et se détacher.
- e) **Le diamètre extérieur et l'épaisseur de votre accessoire doivent être inférieurs à la capacité nominale de votre outil électrique.**
Les accessoires de taille incorrecte ne peuvent être correctement protégés ou contrôlés.
- f) **La taille d'ancrage des roues, brides, plaques ou autres accessoires doit être adaptée à l'arbre de l'outil électrique.**
Les accessoires comprenant des orifices d'ancrage qui ne correspondent pas au matériel de montage de l'outil électrique seront déséquilibrés, entraînant des vibrations excessives pouvant aboutir à une perte de contrôle.
- g) **N'utilisez pas d'accessoire endommagé. Avant chaque utilisation, vérifiez que l'accessoire (par exemple les meules) n'est pas ébréché, craquelé ou défectueux, que la plaque n'est pas fissurée ou usée, et que la brosse est bien fixée et en bon état. Si l'outil électrique ou l'accessoire est tombé, vérifiez qu'il n'est pas endommagé ou installez un accessoire en bon état. Après avoir vérifié l'accessoire ou en avoir installé un nouveau, restez à l'écart de l'accessoire et faites tourner l'outil à vide pendant une minute à vitesse maximale.**
Si les accessoires sont endommagés, ils se cassent pendant ce test.
- h) **Portez un équipement de protection individuelle. Selon l'application, utilisez un masque ou des lunettes de sécurité. Si besoin, portez un masque anti-poussière, des protecteurs d'oreille, des gants et un tablier capable d'arrêter les petits fragments abrasifs. La protection oculaire doit être capable d'arrêter les projections de débris générés au cours des différentes opérations. Le masque à poussière et le respirateur doivent être capables de filtrer les particules générées par votre opération. Une exposition prolongée à des bruits de haute intensité peut entraîner une perte d'audition.**
- i) **Toutes les personnes à proximité doivent rester à distance de l'aire de travail. Toute personne entrant dans l'aire de travail doit porter un équipement de protection individuelle.**
Les fragments de pièce usinée ou d'accessoire brisé peuvent être projetés au delà de la zone d'opération immédiate et provoquer une blessure.
- j) **Maintenez l'outil électrique uniquement par les surfaces isolées lorsque vous effectuez une opération au cours de laquelle l'accessoire peut entrer en contact avec des câbles ou son propre câble d'alimentation.**

Si l'accessoire de découpe entre en contact avec un câble sous tension, les pièces métalliques de l'outil électrique risquent de transmettre le courant et d'infliger une décharge électrique à l'opérateur.

- k) Éloignez le cordon de l'accessoire en rotation.**
Si vous perdez le contrôle, le cordon risque d'être découpé, et vous risquez de vous coincer le main ou le bras dans l'accessoire en rotation.
- l) Ne posez jamais l'outil électrique avant l'arrêt complet de l'accessoire.**
L'accessoire en rotation risque d'accrocher la surface et de vous faire perdre le contrôle de l'outil électrique.
- m) Ne faites pas tourner l'outil électrique pendant que vous le transportez à la main.**
L'accessoire en rotation risque d'accrocher vos vêtements ou de vous blesser.
- n) Nettoyez régulièrement les événements de l'outil électrique.**
Le ventilateur du moteur risque d'attirer la poussière à l'intérieur du logement et l'accumulation excessive de métaux en poudre risque de provoquer un court-circuit.
- o) N'utilisez pas l'outil électrique à proximité de matériaux inflammables.**
Ces matériaux risquent de prendre feu sous l'effet des étincelles.
- p) N'utilisez pas d'accessoires nécessitant des liquides de refroidissement.**
L'usage d'eau ou d'autres liquides de refroidissement peut entraîner une électrocution ou un choc électrique.

RECU DE L'APPAREIL ET AVERTISSEMENTS ASSOCIÉS

Le recul est une réaction soudaine provoquée par le pincement ou le coincement d'une meuleuse, d'une plaque, d'une brosse ou autre type d'accessoire. L'accessoire en rotation cale alors rapidement, ce qui projette l'outil électrique dans la direction opposée à la rotation de l'accessoire.

Par exemple, si une meule est coincée par la pièce à usiner, le rebord de la meule entrant dans le point de pincement peut accrocher la surface du matériau, entraînant un déchaussement de la meule. La meule peut alors dévier de sa trajectoire, vers l'opérateur ou dans la direction opposée, selon la direction de la meule au point de pincement. Les meules abrasives risquent de se briser.

Le recul est le résultat d'une utilisation abusive de l'outil électrique et/ou de l'inobservation des procédures d'utilisation. Il peut être évité en suivant les quelques précautions indiquées ci-dessous.

- a) Maintenez fermement l'outil électrique et positionnez-vous de manière à résister aux reculs. Utilisez toujours la poignée auxiliaire, si prévue sur l'appareil, afin de contrôler au mieux ou recul ou la réaction de couple au cours du démarrage.**
L'opérateur peut contrôler les réactions de couple ou les forces de recul s'il prend les précautions adéquates.
- b) Ne placez jamais votre main à proximité de l'accessoire en rotation.**
En reculant, l'accessoire peut blesser votre main.
- c) Ne placez pas votre corps dans la zone de recul de l'appareil.**
Le recul propulse l'outil dans la direction opposée au mouvement de la meule au point de pincement.

- d) Faites particulièrement attention lorsque vous travaillez sur des coins ou des rebords tranchants, etc. Évitez de faire rebondir l'accessoire et de le coincer.**

Les coins, rebords tranchants ou les rebonds ont tendance à coincer l'accessoire en rotation, provoquant une perte de contrôle ou un recul.

- e) Ne fixez pas de scie à chaîne, de lame à sculpter ou autre lame de scie à dents.**
Ces lames sont souvent à l'origine de retours et de pertes de contrôle.

AVERTISSEMENTS DE SÉCURITÉ SPÉCIFIQUES AUX OPÉRATIONS DE MEULAGE ET DE DÉCOUPE PAR ABRASION

- a) Utilisez uniquement des types de meules recommandées pour votre outil électrique ainsi que le dispositif de protection spécifiquement conçu pour la meule utilisée.**

Les meules autres que celles pour lesquelles cet outil électrique a été conçu ne peuvent être protégées de manière adéquate et ne sont pas sécurisées.

- b) Le dispositif de protection doit être correctement fixé à l'outil électrique et positionné de manière à assurer une sécurité optimale, en laissant exposée la plus petite partie possible de la meule.**

Le dispositif de protection protège l'opérateur en cas de bris de la meule ou de contact accidentel.

- c) Les meules doivent uniquement être utilisées pour les applications recommandées. Par exemple : n'utilisez pas le côté à tronçonner de la meule pour abraser.**
Les meules de tronçonnage par abrasion sont prévues pour un meulage périphérique. L'application d'une force latérale peut les faire briser en éclats.

- d) Utilisez toujours des brides de taille et de forme adaptées à la meule utilisée.**

Les brides supportent la meule, réduisant ainsi le risque de bris. Les brides de meules de tronçonnage être différentes des brides de meules de remouleur.

- e) N'utilisez pas de meules usées provenant d'outils électriques plus puissants.**

Les meules prévues pour des outils électriques plus puissants ne sont pas adaptées à la vitesse (supérieure) d'un outil de plus petite taille et risquent d'éclater.

AVERTISSEMENTS DE SÉCURITÉ SPÉCIFIQUES AUX OPÉRATIONS DE DÉCOUPE PAR ABRASION

- a) Ne "surchargez" pas la meule à tronçonner et ne la soumettez pas à une pression excessive. Ne tentez pas de couper à une profondeur trop importante.**

Une sur-contrainte de la meule augmente la charge et la meule risque de se tordre au cours la découpe, provoquant un retour ou un bris de la meule.

- b) Ne restez pas dans l'axe de la meule en rotation, et ne restez pas derrière celle-ci.**

Lorsque la meule s'écarte de vous, le retour potentiel risque de propulser la meule en rotation et l'outil électrique dans votre direction.

- c) **Lorsque la meule plie ou si vous arrêtez une découpe pour une raison quelconque, mettez l'outil électrique hors tension et maintenez-le sans bouger jusqu'à l'arrêt total de la meule. Ne tentez jamais de retirer la meule à tronçonner de la découpe lorsque la meule est en mouvement, sous peine de provoquer un recul.**

Recherchez la raison pour laquelle la meule s'est pliée et prenez les mesures qui s'imposent.

- d) **Ne redémarrez pas l'opération de découpe dans la pièce à usiner. Laissez la meule tourner jusqu'à vitesse maximale avant de la faire à nouveau entrer dans la fente.**

La meule risque de se tordre, de dévier de sa trajectoire ou de reculer si l'outil électrique est redémarré dans la pièce à usiner.

- Utilisez toujours des lunettes et des protections auriculaires. Il est recommandé de porter des équipements de protection personnelle tels qu'un masque, des gants, un casque et un tablier.

- Prenez garde à la meule qui continue de tourner une fois l'outil éteint.

- Chargez toujours la batterie à une température de 0 – 40°C.

Une température inférieure à 0°C entraînera une surcharge dangereuse. La batterie ne peut pas être chargée à une température supérieure à 40°C.

La température la plus appropriée serait de 20 – 25°C.

- N'utilisez pas le chargeur continuellement.

Quand une charge a été effectuée, laissez le chargeur au repos pendant environ 15 minutes avant de commencer la prochaine charge de batterie.

- Ne laissez pas de corps étrangers pénétrer par le trou de raccord de la batterie rechargeable.

- Ne désassemblez jamais la batterie rechargeable et le chargeur.

- Ne court-circuitez jamais la batterie rechargeable. Le fait de court-circuiter la batterie générera un courant électrique élevé et une surchauffe, ce qui entraînera la brûlure ou l'endommagement de la batterie.

- Ne jetez pas la batterie au feu.

Elle pourrait exploser.

- Ne pas insérer d'objets dans les fentes d'aération du chargeur.

Ne pas introduire d'objets métalliques ou des produits inflammables dans les fentes d'aération du chargeur, cela provoquera un choc électrique ou endommagera le chargeur.

- Apportez la batterie au magasin ou vous l'avez achetée dès que la durée de vie de postcharge de la batterie devient trop courte pour une utilisation pratique. Ne jetez pas de batterie usagée.

- L'utilisation d'une batterie usagée endommagera le chargeur.

CONSIGNES DE SECURITE GENERALES RELATIVES AUX MEULEUSE À BATTERIE

- Vérifiez que la vitesse indiquée sur la meule est égale ou supérieure à la vitesse nominale de la meuleuse.

- Vérifiez que les dimensions des meules sont compatibles avec la meuleuse.

- Les meules abrasives doivent être stockées et manipulées conformément aux instructions du fabricant.

- Inspectez la meule de la meuleuse avant utilisation, n'utilisez pas de produits ébréchés, craquelés ou défectueux.

- Vérifiez que les meules et les points montés sont installés conformément aux instructions du fabricant.

- Vérifiez que les buvards sont utilisés lorsqu'ils sont équipés du produit abrasif stratifié et lorsqu'ils sont nécessaires.

- Vérifiez que le produit abrasif est correctement monté et serré avant d'utiliser et de démarrer l'outil sans charge pendant 30 secondes en position sûre ; en cas de vibrations excessives ou autres défauts, arrêtez immédiatement l'outil. Si tel est le cas, vérifiez la machine pour en déterminer la cause.

- Si l'outil est équipé d'un protecteur, ne jamais utiliser cet outil sans ce protecteur.

- N'utilisez pas de douilles de réductions ou d'adaptateurs pour adapter des meules abrasives à grand orifice.

- Pour les outils destinés à être équipés d'une meule à orifice fileté, vérifiez que le fil dans la meule est suffisamment long pour accueillir la longueur de la broche.

- Vérifiez que la pièce de travail est correctement supportée.

- Ne pas utiliser de meule de coupe pour l'affûtage latéral.

- Vérifiez que les étincelles dues à l'utilisation ne représentent pas un danger, par ex. ne touchent pas des personnes ou enflamment des substances inflammables.

- Vérifiez que les bouches d'aération ne sont pas obstruées en travaillant dans un environnement poussiéreux ; s'il est nécessaire de nettoyer la poussière, débranchez d'abord l'outil de la prise d'alimentation (utilisez des objets non métalliques) et évitez d'endommager les pièces internes ;

PRÉCAUTIONS RELATIVES A LA BATTERIE AU LITHIUM ION

Pour prolonger sa durée de vie, la batterie lithium-ion est équipée d'une fonction de protection qui coupe automatiquement l'alimentation.

Dans les cas 1 et 2 décrits ci-dessous, il est possible que le moteur s'arrête lorsque vous utilisez ce produit, même si vous actionnez le commutateur. Il ne s'agit pas d'un dysfonctionnement, mais du fonctionnement normal de la protection.

1. Lorsque la charge restante de la batterie diminue, le moteur s'arrête.

Dans ce cas de figure, chargez immédiatement la batterie.

2. En cas de surcharge de l'outil, actionnez le commutateur de l'outil et éliminez les causes de la surcharge. Vous pouvez ensuite recommencer à utiliser l'outil.

En outre, respectez la précaution et l'avertissement suivants.

AVERTISSEMENT

Afin d'éviter toute fuite de la batterie, génération de chaleur, émission de fumée, explosion et inflammation, respectez scrupuleusement les précautions suivantes :

1. Assurez-vous que les copeaux et la poussière ne s'accumulent pas sur la batterie.
 - Lorsque vous travaillez, assurez-vous que les copeaux et la poussière ne tombent pas sur la batterie.
 - Assurez-vous que les copeaux et la poussière qui tombent sur l'outil lorsque vous travaillez ne s'accumulent pas sur la batterie.
 - Ne conservez pas une batterie inutilisée dans un endroit qui est exposé aux copeaux et à la poussière.
 - Avant de stocker une batterie, retirez tous les copeaux et la poussière qui ont pu y adhérer et ne la conservez pas avec des pièces métalliques (vis, clous, etc.).
2. Ne percez pas la batterie à l'aide d'un objet pointu tel qu'un clou. Ne la frappez pas à l'aide d'un marteau. Ne marchez pas dessus, ne la lancez pas et ne la soumettez pas à un choc physique important.
3. N'utilisez pas une batterie dont l'extérieur est déformé ou laissez penser qu'elle est défectueuse.
4. N'insérez pas la batterie à l'envers (pôles inversés).
5. Ne raccordez pas directement la batterie à une prise électrique ou à un allume-cigare.
6. N'utilisez pas la batterie à d'autres fins que celle spécifiée.
7. En cas d'échec du chargement d'une batterie, même après un certain délai, arrêtez immédiatement le rechargement.
8. N'exposez pas la batterie à des températures ou à une pression élevées (four à micro-ondes, séchoir, conteneur sous haute pression).
9. Maintenez à la batterie à l'écart de toute flamme en cas de détection d'une fuite ou d'une mauvaise odeur.
10. Ne pas utiliser à proximité d'une source puissante d'électricité statique.
11. En cas de fuite de la batterie, de mauvaise odeur, de génération de chaleur, de décoloration, de déformation ou d'anomalie en cours d'utilisation, de rechargement ou d'entreposage, ôtez immédiatement la batterie de l'équipement ou du chargeur de batterie et ne l'utilisez plus.

PRECAUTION

1. En cas de projection dans les yeux de liquide ayant fuit de la batterie, ne vous frottez pas les yeux, rincez-les à l'eau claire et contactez immédiatement un médecin.
En l'absence de traitement, le liquide peut détériorer l'oeil.
2. En cas de projection de liquide ayant fuit de la batterie sur votre peau ou vos vêtements, rincez immédiatement ces derniers à l'eau claire (au robinet). Le liquide peut provoquer une irritation de la peau.
3. En cas de détection de rouille, de mauvaise odeur, de surchauffe, de décoloration, de déformation et/ou autres anomalies lors de la première utilisation de la batterie, n'utilisez pas cette dernière et renvoyez-la au fournisseur ou au fabricant.

SPECIFICATIONS

Meuleuse à batterie

Modèle		G18DL(S)
Tension		18V
Vitesse sans charge		9100 min ⁻¹
Meule	diamètre extérieur x diamètre intérieur	125 x 22 mm
	vitesse périphérique	80 m/s
Batterie rechargeable	3,0 Ah	EBM1830: Li-ion (10 accus)
Poids		1,9 Kg

Chargeur

Modèle		UC18YRL
Tension de chargement		7,2 – 18 V
Durée de chargement	2,0 Ah : Ni-Cd	30 min.
	2,6 Ah : Ni-MH	40 min.
	3,0 Ah : Ni-MH	45 min.
	3,3 Ah : Ni-MH	50 min.
	3,0 Ah : Li-ion	45 min.
Poids		0,6 kg

La durée de chargement est approximative. La durée réelle du chargement peut varier.

ACCESSOIRES STANDARD

G18DL(S) (2MRK)	① Meule	1
	② Clef	1
	③ Poignée latérale	1
	④ Chargeur	1
	⑤ Batterie	2
	⑥ Boîtier en plastique.....	1
G18DL(S) (MRK)	① Meule	1
	② Clef	1
	③ Poignée latérale	1
	④ Chargeur	1
	⑤ Batterie	1
	⑥ Boîtier en plastique.....	1
G18DL(S) (NN)	Sans chargeur, batterie, boîtier en plastique	

Les accessoires standard sont sujets à changement sans préavis.

APPLICATIONS






- Enlèvement des bavures de moulage et finition de différentes sortes de matériaux en acier, bronze ou aluminium et de moulages.
- Meulage de sections soudées ou de sections coupées par soudage.
- Meulage de résines synthétiques, d'ardoises, de briques, de marbre, etc.
- Découpe de ciment, pierre, brique, marbre synthétiques et autres matériaux similaires.

EXTRACTION ET INSTALLATION DE LA BATTERIE

1. Retrait de la batterie

Maintenir fermement la poignée et pousser le taquet de la batterie pour l'enlever (Voir **Fig. 1**).

Tableau 1

		Indications de la lampe témoin		
Avant la recharge	Clignote (ROUGE)	S'allume pendant 0,5 seconde. Ne s'allume pas pendant 0,5 seconde. (Eteint pendant 0,5 seconde)		/
Pendant la recharge	S'allume (ROUGE)	S'allume sans interruption		
Recharge terminée	Clignote (ROUGE)	S'allume pendant 0,5 seconde. Ne s'allume pas pendant 0,5 seconde. (Eteint pendant 0,5 seconde)		
Recharge impossible	Clignote (ROUGE)	S'allume pendant 0,1 seconde. Ne s'allume pas pendant 0,1 seconde. (Eteint pendant 0,1 seconde)		Anomalie de la batterie ou du chargeur.
Veille en surchauffe	S'allume (VERTE)	S'allume sans interruption		Batterie en surchauffe. Chargement impossible (le chargement commencera une fois que la batterie sera froide).

REMARQUE : En mode veille pour le refroidissement de la batterie, UC18YRL refroidit la batterie en surchauffe via un ventilateur de refroidissement.

ATTENTION

Ne jamais court-circuiter la batterie.

2. Mise en place de la batterie

Insérer la batterie tout en respectant la polarité (Voir la **Fig. 1**).

CHARGE

Avant d'utiliser la meuleuse à batterie, chargez la batterie comme suit.

1. Brancher le cordon d'alimentation du chargeur sur une prise secteur

Quand vous raccordez la fiche du chargeur à une prise murale, la lampe témoin clignote en rouge (À intervalles d'une seconde).

2. Insérer la batterie dans le chargeur

Insérer la batterie à fond, jusqu'à ce qu'elle touche le fond du logement du chargeur.

ATTENTION

- Si les piles sont insérées à l'envers, non seulement la recharge devient impossible, mais aussi le chargeur peut être endommagé et la borne de recharge, par exemple, peut être déformée.

3. Recharge

Quand vous insérez une batterie dans le chargeur, la recharge commence et la lampe témoin s'allume en rouge.

Quand la batterie est complètement chargée, la lampe témoin clignote en rouge (À intervalles d'une seconde) (voir **Tableau 1**).

(1) Indication de la lampe témoin

Les indications de la lampe témoin sont expliquées dans le **Tableau 1**, selon la condition du chargeur ou de la batterie rechargeable.

- (2) Au sujet de la température de la batterie rechargeable
Les températures des batteries rechargeables sont indiquées dans le tableau ci-dessous. Laisser refroidir les batteries qui ont chauffé avant de les recharger.

Tableau 2 Plage de recharge des batteries

Chargeur	UC18YRL
Batteries rechargeables	
Batteries Ni-Cd	-5°C – 55°C
Batteries Ni-MH	-5°C – 50°C
Batteries Li-ion	0°C – 50°C

4. Débrancher le cordon d'alimentation secteur de la prise secteur

5. Tenir fermement le chargeur et dégager la batterie

REMARQUE

Bien sortir la batterie du chargeur après usage, et la conserver.

ATTENTION

- Si la batterie est chaude quand elle est rechargée, parce qu'elle est restée longtemps en plein soleil ou parce qu'elle vient juste d'être utilisée, la lampe témoin du chargeur peut s'allumer en vert. Dans une telle éventualité, laisser la batterie refroidir, puis procéder à la recharge.
- Quand la lampe témoin clignote rapidement en rouge (à intervalles de 0,2 seconde), vérifier le chargeur et retirer tout objet étranger qui serait tombé dans l'ouverture lors de la mise en place. S'il n'y a rien d'amormal, il est alors probable que la batterie ou le chargeur fonctionne mal. Dans ce cas, les enlever et les porter à un réparateur agréé.
- Etant donné qu'il faut environ 3 secondes au micro ordinateur intégré pour confirmer l'extraction de la batterie en cours de chargement avec le UC18YRL, attendre au minimum 3 secondes avant de la réinsérer pour continuer le chargement. Si la batterie est réinsérée dans les 3 secondes, elle risque de ne pas être correctement rechargée.

En ce qui concerne le courant de décharge d'une batterie neuve

Etant donnée que les substances chimiques internes sont restées inactives dans le cas des batteries neuves ou des batteries qui sont restées longtemps inutilisées, le courant de décharge risque d'être très faible lors des première et deuxième utilisations. Ce phénomène est temporaire et le temps de recharge normal sera rétabli quand les batteries auront été rechargées 2 ou 3 fois.

Comment prolonger la durée de vie des batteries

- (1) Recharger les batteries avant qu'elles ne soient complètement épuisées.
Quand la puissance de l'outil utilisé faiblit, l'éteindre et recharger la batterie. Si l'outil continue d'être utilisé jusqu'à épuisement du courant électrique, la batterie risque d'être endommagée et sa durée de vie se raccourcira.
- (2) Eviter d'effectuer la recharge sous des températures élevées.

Une batterie est toujours chaude immédiatement après son utilisation. Si la batterie est rechargée immédiatement après utilisation, les substances chimiques internes risquent de se détériorer et la durée de vie de la batterie se raccourcira. Laisser la batterie refroidir un moment avant de l'utiliser.

AVANT LA MISE EN MARCHÉ

- 1. Préparatifs et inspection de la zone de travail**
S'assurer que la zone de travail remplit les conditions citées dans le chapitre des précautions générales.
- 2. Vérification de la batterie**
S'assurer que la batterie est fermement maintenue en place. En effet, si cette batterie n'est pas bien placée dans le chargeur, elle peut tomber et provoquer un accident.
- 3. Fixation et réglage du couvre-meule**
Le couvre-meule est un dispositif de protection pour éviter une blessure au cas où la meule se briserait lors du fonctionnement. S'assurer qu'il est correctement placé et fixé avant de commencer meuler et régler l'angle souhaité du modèle. S'assurer que l'écrou de réglage est resserré à fond après le réglage du couvre-meule.
- 4. Vérifier que les meules montées et les pointes sont installées conformément aux instructions du fabricant.**
S'assurer que la meule utilisée est le bon modèle, et qu'elle est dépourvue de fêlures et de défauts de surface. Vérifier aussi que la meule est correctement montée et que l'écrou de la meule est bloqué. Consulter la section "MONTAGE ET DEMONTAGE DE LA MEULE".
Bien utiliser des patins s'ils sont fournis avec le produit abrasif et qu'ils sont nécessaires.
Ne pas utiliser de coussinets d'adaptateur de réduction séparés pour adapter des meules abrasives à orifice large.
Avec les outils conçus pour un montage sur meule à orifice fileté, vérifier que le filetage de la meule est suffisamment long pour la longueur de la broche.
Ne pas utiliser de meule à tronçonner pour un meulage latéral.
- 5. Effectuer un essai**
Vérifier que le produit abrasif est correctement monté et solidement fixé avant l'utilisation et faire tourner l'outil à vide pendant 30 secondes dans une position sûre, et arrêter immédiatement l'outil s'il y a trop de vibrations ou si l'on constate d'autres anomalies. Si ce genre d'anomalies se produit, vérifier l'outil pour en déterminer la cause.
- 6. Confirmer la position du bouton poussoir.**
Vérifier que le bouton poussoir est libéré en appuyant deux ou trois sur le bouton poussoir avant de mettre l'outil en marche (voir la Fig. 2).
- 7. Mise en place de la poignée latérale**
Visser la poignée latérale dans le couvercle d'engrenage.

FONCTIONNEMENT

1. Pression

Pour prolonger la vie de la machine et réaliser un fini de première qualité, il est important de ne pas surcharger la machine en exerçant une pression trop grande. Dans la plupart des applications, le poids de la machine seule suffit pour un bon meulage. Une trop grande pression peut entraîner une réduction de la vitesse de rotation, un moins bon fini de surface et une surcharge qui réduirait la durée de vie de la machine.

2. Angle de meulage

Ne pas appliquer la surface totale de la meule au matériau à meuler. Suivant la **Fig. 1**, la machine doit être tenue à un angle de 15° – 30° de manière à ce que le bord extérieur de la meule soit en contact avec la pièce à meuler à un angle optimal.

3. Pour éviter qu'une nouvelle meule ne creuse la pièce à meuler, le meulage initial doit se faire en tirant la machine vers l'opérateur sur la pièce (**Fig. 1 direction B**). Une fois que le bord d'attaque de la meule est correctement abrasé, on peut meuler dans l'une ou l'autre direction.

4. Précautions à prendre aussitôt le meulage terminé

La roue continue à tourner pendant quelques instants quand on éteint l'outil.

Après avoir arrêté la machine, ne pas la poser avant l'arrêt complet de la meule. Cette précaution évitera non seulement tout accident grave, mais réduira aussi la quantité de poussière et de copeaux de métal aspirée par la machine.

REMARQUE

○ Pour éviter les blessures, ce produit est équipé d'une fonction qui prévient la rotation intempestive du moteur à l'insertion de la batterie. Le moteur ne tournera pas si la batterie est insérée alors que l'interrupteur est allumé. Après installation de la batterie, éteignez l'interrupteur puis rallumez-le.

○ Le modèle G18DL(S) est équipé d'une fonction de protection permettant de désactiver l'outil en cas de surcharge.

Si l'outil est désactivé en cas de surcharge, mettez-le hors tension, puis remettez-le sous tension.

Il est possible qu'une surcharge qui arrête le fonctionnement de l'outil et dure plus de 10 secondes ne puisse pas être réglée en mettant l'outil hors tension, puis à nouveau sous tension. Si ce problème survient, retirez la batterie de l'outil et réinsérez-la avant de le mettre sous tension.

ATTENTION

○ Vérifier que la pièce est correctement soutenue.
○ S'assurer que les événements d'aération sont bien dégagés lors d'un travail entraînant de la poussière. S'il devient nécessaire d'enlever la poussière, commencer par débrancher l'outil de la prise secteur (utiliser des objets non métalliques) et veiller à ne pas endommager les pièces internes.

○ S'assurer que les étincelles provoquées lors du travail ne posent pas de danger, par exemple qu'elles ne touchent pas des personnes, et qu'elles n'enflamment pas de substances inflammables.

○ Toujours porter des protections pour les yeux et les oreilles.

Il faudra également porter par exemple un masque anti-poussière, des gants, un casque et un tablier lorsque cela est nécessaire.

En cas de doute, porter un équipement de protection.

○ Lorsque la machine n'est pas utilisée, la batterie doit être débranchée.

MONTAGE ET DEMONTAGE DE LA MEULE (**Fig. 2**)

ATTENTION: Veillez à éteindre l'interrupteur et à retirer la batterie.

1. Montage (**Fig. 2**)

(1) Retourner la meuleuse à l'envers de façon que l'arbre soit dirigé vers le haut.

(2) Aligner les aplats en couronne de la rondelle de la meule sur la section à encoche de l'arbre, puis les fixer.

(3) Faire correspondre la protubérance de la meule à moyeu décentré à la rondelle de la meule.

(4) Visser l'écrou de la meule sur l'arbre.

(5) Tout en appuyant d'une main sur le bouton poussoir, verrouiller l'arbre en tournant lentement la meule à moyeu décentré de l'autre main.

Serrer l'écrou de la meule à l'aide de la clé fournie, comme indiqué sur la **Fig. 2**.

2. Démontage

Même opération en sens inverse.

ATTENTION

○ Vous assurer que la meule est fermement montée.

○ Vérifier que le bouton poussoir est libéré en appuyant deux ou trois sur le bouton poussoir avant de mettre l'outil en marche.

ENTRETIEN ET CONTROLE

1. Contrôle de la meule

Vérifier que la meule est dépourvue de fêlures et de défauts de surface. Balai en carbone peut se retirer facilement.

2. Contrôle des vis de montage

Vérifier régulièrement les vis de montage et s'assurer qu'elles sont correctement serrées. Resserrer immédiatement toute vis desserrée. Sinon, il y a danger sérieux.

3. Entretien du moteur

Le bobinage de l'ensemble moteur est le "cœur" même de l'outil électro-portatif.

Veiller soigneusement à ce que ce bobinage ne soit pas endommagé et/ou mouillé par de l'huile ou de l'eau.

4. Contrôle des balais en carbone (**Fig. 4**)

Le moteur utilise des balais en carbone qui sont des pièces qui s'usent. Comme un balai en carbone trop usé peut détériorer le moteur, remplacer les balais en carbone par des neufs lorsqu'ils sont usés ou près de la "limite d'usure". En outre, toujours maintenir les balais en carbone propres et veiller à ce qu'ils coulissent librement dans les supports.

REMARQUE

Lors du remplacement des balais en carbone par des neufs, bien utiliser des balais en carbone Hitachi, No. de code 999054.

5. Remplacement d'un balai en carbone

Pour sortir le balai en carbone, commencer par retirer le capuchon du balai, puis décrocher la saillie du balai en carbone avec un tournevis à tête plate, etc., comme indiqué sur la **Fig. 6**.

Pour installer le balai en carbone, choisir le sens de façon que le clou du balai en carbone s'adapte à la section de contact à l'extérieur du tube de balai. Puis l'enfoncer du doigt comme indiqué à la **Fig. 7**.

7. Enfin, remettre le capuchon du balai en place.

ATTENTION

Bien veiller impérativement à insérer le clou du balai en carbone dans la section de contact à l'extérieur du tube de balai (On pourra insérer n'importe lequel des deux clous fournis).

Procéder avec précaution, car une erreur dans cette opération risque de déformer le clou du balai en carbone et d'endommager précocement le moteur.

6. Nettoyage de l'extérieur

Lorsque la meuleuse à batterie est sale, essuyez-la avec un chiffon sec et doux ou un chiffon imbibé d'eau savonneuse. N'utilisez pas de solvant au chlore, d'essence ou de diluant, car ils font fondre les matières plastiques.

7. Rangement

Rangez la meuleuse à batterie dans un endroit où la température est inférieure à 40 °C, et hors de portée des enfants.

8. Liste des pièces de rechange**ATTENTION**

- A: No. élément
- B: No. code
- C: No. utilisé
- D: Remarques

ATTENTION

Les réparations, modifications et inspections des outils électriques Hitachi doivent être confiées à un service après-vente Hitachi agréé.

Il sera utile de présenter cette liste de pièces au service après-vente Hitachi agréé lorsqu'on apporte un outil nécessitant des réparations ou tout autre entretien.

Lors de l'utilisation et de l'entretien d'un outil électrique, respecter les règlements et les normes de sécurité en vigueur dans le pays en question.

MODIFICATIONS

Les outils électriques Hitachi sont constamment améliorés et modifiés afin d'incorporer les tous derniers progrès technologiques.

En conséquence, il est possible que certaines pièces (c.-à-d. no. de code et/ou dessin) soient modifiées sans avis préalable.

NOTE

Par suite du programme permanent de recherche et de développement HITACHI, ces spécifications peuvent faire l'objet de modifications sans avis préalable.

Au sujet du bruit et des vibrations

Les valeurs mesurées ont été déterminées en fonction de la norme EN60745 et déclarées conforme à ISO 4871.

Niveau de puissance sonore pondérée A: 85 dB (A)
Niveau de pression acoustique pondérée A: 74 dB (A)
Incertitude KpA: 3 dB (A)

Porter un casque de protection.

Valeurs totales des vibration (somme vectorielle triaxiale) déterminée conformément à EN60745.

Meulage de finition:

Valeur d'émission de vibration **a_h**, **AG** = 9,3 m/s²
Incertitude K = 1,5 m/s²

AVERTISSEMENT

- La valeur d'émission de vibration en fonctionnement de l'outil électrique peut être différente de la valeur déclarée, en fonction des utilisations de l'outil.
- Pour identifier les mesures de protection de l'utilisateur fondées sur une estimation de l'exposition en conditions d'utilisation (tenant compte de tous les aspects du cycle d'utilisation, tels que les moments où l'outil est mis hors tension ou lorsqu'il tourne à vide en plus des temps de déclenchements)

GARANTIE

Nous garantissons que l'ensemble des Outils électriques Hitachi sont conformes aux réglementations spécifiques statutaires/nationales. Cette garantie ne couvre pas les défauts ni les dommages inhérents à une mauvaise utilisation, une utilisation abusive ou l'usure et les dommages normaux. En cas de réclamation, veuillez envoyer l'Outil électrique, en l'état, accompagné du CERTIFICAT DE GARANTIE qui se trouve à la fin du Mode d'emploi, dans un service d'entretien autorisé.

AVVERTIMENTI GENERALI DI SICUREZZA SUGLI UTENSILI ELETTRICI

AVVERTENZA

Leggere tutti gli avvertimenti di sicurezza e tutte le istruzioni.

La mancata osservanza degli avvertimenti e delle istruzioni potrebbe essere causa di scosse elettriche, incendi e/o gravi lesioni.

Salvare tutti gli avvertimenti e le istruzioni per riferimenti futuri.

Il termine "elettroutensili" riportato nelle avvertenze si riferisce agli elettroutensili azionati con alimentazione di rete (via cavi) o a batterie (senza cavi).

1) Sicurezza dell'area operativa

- a) **Mantenere l'area operativa pulita e ordinata.**
Aree operative sporche o disordinate possono favorire gli infortuni.
- b) **Non utilizzare gli elettroutensili in atmosfere esplosive, ad es. in presenza di liquidi, gas o polveri infiammabili.**
Gli elettroutensili generano delle scintille che potrebbero accendere la polvere o i fumi.
- c) **Tenere lontani bambini e astanti durante l'utilizzo degli elettroutensili.**
Qualsiasi distrazione può essere causa di perdita di controllo.

2) Sicurezza elettrica

- a) **Le spine degli elettroutensili devono essere idonee alle prese disponibili.**
Non modificare mai le prese.
Con gli elettroutensili a massa (messi a terra), non utilizzare alcun adattatore.
L'utilizzo di spine intatte e corrispondenti alle prese disponibili ridurrà il rischio di scosse elettriche.
- b) **Evitare qualsiasi contatto con le superfici a massa o a terra, quali tubi, radiatori, fornelli e frigoriferi.**
In caso di messa a terra o massa del corpo, sussiste un maggior rischio di scosse elettriche.
- c) **Non esporre gli elettroutensili alla pioggia o all'umidità.**
La penetrazione di acqua negli elettroutensili aumenterà il rischio di scosse elettriche.
- d) **Non tirare il cavo. Non utilizzarlo per il trasporto, o per tirare o scollegare l'elettroutensile.**
Tenere il cavo lontano da fonti di calore, oli, bordi appuntiti o parti in movimento.
Cavi danneggiati o attorcigliati possono aumentare il rischio di scosse elettriche.
- e) **Durante l'uso degli elettroutensili all'esterno, utilizzare una prolunga idonea per usi esterni.**
L'utilizzo di cavi per esterno riduce il rischio di scosse elettriche.
- f) **Se è impossibile evitare l'impiego di un utensile elettrico in un luogo umido, utilizzare l'alimentazione protetta da un dispositivo a corrente residua (RCD).**
L'uso di un RCD riduce il rischio di scosse elettriche.

3) Sicurezza personale

- a) **Durante l'uso degli elettroutensili, state all'erta, verificate ciò che state eseguendo e adottate sempre il buon senso.**

Non utilizzate gli elettroutensili qualora siate stanchi, sotto l'influenza di farmaci, alcol o cure mediche.
Anche un attimo di disattenzione durante l'uso degli elettroutensili potrebbe essere causa di gravi lesioni personali.

- b) **Indossate l'attrezzatura di protezione personale. Indossate sempre le protezioni oculari.**
L'attrezzatura protettiva, quali maschera facciale, calzature antiscivolo, caschi o protezioni oculari ridurrà il rischio di lesioni personali.
 - c) **Impedite le accensioni involontarie. Prima del collegamento a una sorgente di alimentazione e/o pacco batteria e prima di raccogliere o trasportare l'utensile, verificate che l'interruttore sia posizionato su OFF.**
Il trasporto degli elettroutensili tenendo le dita sull'interruttore o l'attivazione elettrica degli utensili che hanno l'interruttore su ON, implica il rischio di incidenti.
 - d) **Prima di attivare l'elettroutensile, rimuovete qualsiasi chiave di regolazione.**
Lasciando la chiave in un componente in rotazione dell'elettroutensile, sussiste il rischio di lesioni personali.
 - e) **Mantenersi in equilibrio. Mantenersi sempre su due piedi, in equilibrio stabile.**
Ciò consente di controllare al meglio l'elettroutensile in caso di situazioni impreviste.
 - f) **Vestirsi in modo adeguato. Non indossare abiti larghi o gioielli. Tenere i capelli, gli abiti e i guanti lontano dalle parti in movimento.**
Abiti allentati, gioielli e capelli lunghi potrebbero impigliarsi nelle parti in movimento.
 - g) **In caso di dispositivi provvisti di collegamento ad apparecchiature di rimozione e raccolta polveri, verificare che queste siano collegate e utilizzate in modo adeguato.**
L'utilizzo della raccolta della polvere può ridurre i rischi connessi alle polveri.
- 4) Utilizzo e manutenzione degli elettroutensili**
- a) **Non utilizzare elettroutensili non idonei. Utilizzare l'elettroutensile idoneo alla propria applicazione.**
Utilizzando l'elettroutensile corretto, si garantirà un'esecuzione migliore e più sicura del lavoro, alla velocità di progetto.
 - b) **Non utilizzare l'elettroutensile qualora non sia possibile accenderlo/spengerlo tramite l'interruttore.**
È pericoloso utilizzare elettroutensili che non possono essere azionati dall'interruttore. Provvedere alla relativa riparazione.
 - c) **Prima di effettuare qualsiasi regolazione, sostituire gli accessori o depositare gli elettroutensili, scollegare la spina dalla presa elettrica e/o il pacco batteria dall'utensile elettrico.**
Queste misure di sicurezza preventive riducono il rischio di avvio involontario dell'elettroutensile.
 - d) **Depositare gli elettroutensili non utilizzati lontano dalla portata dei bambini ed evitare che persone non esperte di elettroutensili o non a conoscenza di quanto riportato sulle presenti istruzioni azionino l'elettroutensile.**
È pericoloso consentire che utenti non esperti utilizzino gli elettroutensili.

- e) **Manutenzione degli elettroutensili. Verificare che non vi siano componenti in movimento disallineati o bloccati, componenti rotti o altre condizioni che potrebbero influenzare negativamente il funzionamento dell'elettroutensile.**
In caso di guasti, provvedere alla riparazione dell'elettroutensile prima di riutilizzarlo.
Molti incidenti sono causati da una scarsa manutenzione.
- f) **Mantenere gli strumenti di taglio affilati e puliti.**
Gli strumenti di taglio in condizioni di manutenzione adeguata, con bordi affilati, sono meno soggetti al bloccaggio e sono più facilmente controllabili.
- g) **Utilizzare l'elettroutensile, gli accessori, le barrette, ecc. in conformità a quanto riportato nelle presenti istruzioni, tenendo in debita considerazione le condizioni operative e il tipo di lavoro da eseguire.**
L'uso dell'utensile elettrico per operazioni diverse da quelle previste potrebbe causare una situazione pericolosa.
- 5) **Utilizzo e cura dell'utensile batteria**
- a) **Ricaricare solo con il caricatore specificato dal produttore.**
Un caricatore adatto per un tipo di gruppo batteria può creare un rischio di incendio quando viene utilizzato con un altro gruppo batteria.
- b) **Usare utensili elettrici con gruppi batteria specificatamente designati.**
L'utilizzo di qualsiasi altro gruppo batteria può creare un rischio di lesioni e incendi.
- c) **Quando il gruppo batteria non viene utilizzato, tenerlo lontano da altri oggetti metallici come graffette, monete, chiavi, chiodi, viti, o altri piccoli oggetti metallici che possono creare una connessione da un terminale a un altro.**
Cortocircuitare i terminali della batteria insieme può causare ustioni o incendi.
- d) **In condizioni abusive, del liquido può fuoriuscire dalla batteria; evitare il contatto. Se il contatto si verifica accidentalmente, sciacquare con acqua. Se il liquido entra a contatto con gli occhi, richiedere assistenza medica.**
Il liquido che fuoriesce dalla batteria può causare irritazioni o ustioni.
- 6) **Assistenza**
- a) **Affidate le riparazioni dell'elettroutensile a persone qualificate che utilizzino solamente parti di ricambio identiche.**
Ciò garantirà il mantenimento della sicurezza dell'elettroutensile.

PRECAUZIONI

Tenere lontano dalla portata di bambini e invalidi. Quando non utilizzati, gli strumenti dovranno essere depositi lontano dalla portata di bambini e invalidi.

AVVERTIMENTI DI SICUREZZA COMUNI PER LE OPERAZIONI DI SMERIGLIATURA O DI TAGLIO ABRASIVO

- a) Questo utensile elettrico ha lo scopo di funzionare come smerigliatrice o utensile di taglio. Leggere tutti gli avvertimenti di sicurezza, istruzioni e specifiche in dotazione con il presente utensile elettrico.
- i) **Tenete i passanti a distanza di sicurezza dalla zona di lavoro. Chiunque entra nella zona di lavoro deve indossare apparecchiature di protezione personale.**

La mancata osservanza di tutte le istruzioni elencate di seguito può risultare in scosse elettriche, incendio e/o lesioni gravi.

- b) **L'esecuzione di operazioni come la sabbatura, la spazzolatura metallica o la lucidatura non è consigliabile con questo utensile elettrico.**

Le operazioni per le quali l'utensile elettrico non è stato progettato possono creare un pericolo e causare lesioni personali.

- c) **Non utilizzate accessori che non siano specificatamente progettati e raccomandati dal produttore dell'utensile.**

Il solo fatto che l'accessorio possa essere fissato all'utensile elettrico non significa che ne garantisca un funzionamento sicuro.

- d) **La velocità nominale dell'accessorio deve essere almeno uguale alla velocità massima contrassegnata sull'utensile elettrico.**

Gli accessori utilizzati ad una velocità superiore a quella nominale si possono rompere e sgretolarsi in volo.

- e) **Il diametro esterno e lo spessore del vostro accessorio deve rientrare entro la capacità nominale dell'utensile elettrico.**

Gli accessori dalle dimensioni errate non possono essere adeguatamente protetti o controllati.

- f) **La dimensione del mandrino di mole, flangie, platorelli di supporto o di qualsiasi altro accessorio deve corrispondere esattamente all'asse dell'utensile elettrico.**

Gli accessori con i fori del mandrino che non corrispondono alla struttura di montaggio dell'utensile elettrico esauriranno l'equilibrio, vibreranno eccessivamente e potrebbero causare la perdita del controllo.

- g) **Non usate accessori danneggiati. Prima di ciascun utilizzo, ispezionate l'accessorio come le mole abrasive per controllare la presenza di schegge e crepe, la presenza di crepe, lacerazioni o eccessiva usura nel platorello di supporto, la presenza di cavi allentati o incrinati nella spazzola di metallo. Se l'utensile elettrico o l'accessorio viene fatto cadere, esaminare la presenza di eventuali danni o installare un accessorio non danneggiato. Dopo aver ispezionato e installato un accessorio, posizionate voi stessi e gli eventuali passanti lontano dal piano dell'accessorio rotante e utilizzate l'utensile elettrico alla velocità a vuoto massima per un minuto.**

Gli accessori danneggiati normalmente si sgretoleranno durante questo periodo di prova.

- h) **Indossate apparecchiature di protezione personale. A seconda dell'applicazione, utilizzate una visiera e occhiali di sicurezza. A seconda delle necessità, indossate una maschera per la polvere, protezioni per l'udito, guanti e un grembiule in grado di fermare frammenti abrasivi o di lavorazione.**

La protezione oculare deve essere in grado di fermare i detriti volanti generati dalle varie operazioni. La maschera per la polvere o il respiratore deve essere in grado di filtrare le particelle generate dall'operazione. L'esposizione prolungata al rumore di elevata intensità può causare la perdita dell'udito.

- i) **Tenete i passanti a distanza di sicurezza dalla zona di lavoro. Chiunque entra nella zona di lavoro deve indossare apparecchiature di protezione personale.**

I frammenti del pezzo da lavorare o di un accessorio rotto possono volare via e causare lesioni al di là dell'immediata zona di lavorazione.

j) Tenete l'utensile elettrico solo per le superfici di afferraggio isolate, quando eseguite un'operazione dove l'accessorio di taglio può entrare a contatto con del cablaggio nascosto o con il proprio cavo.
L'accessorio di taglio, a contatto con un cavo sotto tensione, può mettere sotto tensione le parti metalliche esposte dell'utensile elettrico e dare una scossa all'operatore.

k) Posizionate il cavo lontano dall'accessorio rotante.
Se perdetevi il controllo, il cavo potrebbe essere tagliato o impigliato e potrebbe tirare la vostra mano o il vostro braccio nell'accessorio rotante.

l) Non posate mai l'utensile elettrico finché l'accessorio non si è completamente arrestato.
L'accessorio rotante potrebbe afferrare la superficie e farvi perdere il controllo dell'utensile elettrico.

m) Non utilizzate l'utensile elettrico mentre lo state trasportando al vostro fianco.
Il contatto accidentale con l'accessorio rotante potrebbe impigliare i vostri indumenti, tirando l'accessorio verso il vostro corpo.

n) Pulite regolarmente le ventole d'aria dell'utensile elettrico.
La ventola del motore attirerà la polvere all'interno dell'alloggiamento e l'accumulo eccessivo di metallo polverizzato potrebbe causare pericoli elettrici.

o) Non utilizzate l'utensile elettrico vicino ai materiali infiammabili.
Le scintille potrebbero far prendere fuoco a tali materiali.

p) Non utilizzate accessori che richiedono refrigeranti liquidi.
L'utilizzo di acqua o altri refrigeranti liquidi potrebbe causare elettrocuzione o scosse elettriche.

b) Non posizionate mai la vostra mano vicino all'accessorio rotante.

L'accessorio potrebbe avere una reazione di rinculo sulla vostra mano.

c) Non posizionate il vostro corpo nella zona dove si sposterà l'utensile se si verifica il rinculo.

Il rinculo spingerà l'utensile nella direzione opposta al movimento della mola al punto di impigliamento.

d) Fate particolare attenzione quando lavorate angoli, estremità appuntite, ecc. Evitate di far saltare e impigliare l'accessorio.

Gli angoli, le estremità appuntite o gli sbalottamenti hanno una tendenza a far impigliare l'accessorio rotante e causare la perdita del controllo o rinculo.

e) Non fissate una lama da moto sega per intagliare il legno o una lama di sega dentata.

Tali lame creano rinculo e perdita del controllo frequenti.

AVVERTIMENTI DI SICUREZZA SPECIFICI PER LE OPERAZIONI DI SMERIGLIATURA E DI TAGLIO ABRASIVO

a) Usate solo tipi di mole consigliati per il vostro utensile elettrico e per lo specifico carter progettato per la mola selezionata.

Le mole per le quali l'utensile elettrico non è stato progettato non possono essere adeguatamente protette e non sono sicure.

b) Il carter deve essere fermamente fissato all'utensile elettrico e posizionato per la massima sicurezza, in modo che una quantità minima di mola sia esposta verso l'operatore.

Il carter serve proteggere l'operatore dai frammenti di mola rotta e dal contatto accidentale con la mola.

c) Le mole devono essere utilizzate solo per le applicazioni raccomandate. Per esempio: non smerigliate con il lato della mola di taglio.

Le mole di taglio abrasive servono per la smerigliatura periferica, le forze laterali applicate a tali mole possono causarne la rottura.

d) Utilizzate sempre flangie di mole non danneggiate che siano delle dimensioni e forma corrette per la mola selezionata.

Le flangie delle mole corrette supportano la mola riducendo la possibilità di rottura della mola. Le flangie per le mole di taglio possono differire da quelle delle mole di smerigliatura.

e) Non utilizzate mole usurate da utensile elettrici più grossi.

Le mole per utensili elettrici di maggiori dimensioni non sono adatte per la velocità superiore di un utensile più piccolo e potrebbero scoppiare.

AVVERTIMENTI DI SICUREZZA AGGIUNTIVI SPECIFICI PER LE OPERAZIONI DI TAGLIO ABRASIVO

a) Non "inceppate" la mola di taglio o applicate una pressione eccessiva. Non tentate di fare una profondità di taglio eccessiva.

La sovrasollecitazione della mola aumenta il carico e la possibilità che la mola si attorcigli o incastri nel taglio e pertanto l'insorgenza del rinculo o della rottura della mola.

KICKBACK AND RELATED WARNINGS

Il rinculo è una reazione improvvisa provocata da una mola rotante, platorello di supporto, spazzola o altro accessorio pinzati o impigliati. Ciò causa un rapido arresto dell'accessorio rotante che a sua volta provoca la perdita di controllo dell'utensile elettrico, costringendolo ad andare nella direzione opposta della rotazione dell'accessorio al punto di attacco.

Per esempio, se una mola abrasiva viene impigliata o pinzata dal pezzo della lavorazione, l'estremità della mola che entra nel punto di pinzaggio può scavare nella superficie del materiale causando lo spostamento o rinculo della mola. La mola può saltare verso l'operatore o via da esso, a seconda della direzione del movimento della mola al punto di pinzaggio. E' inoltre possibile che le mole abrasive si spezzino in queste condizioni.

Il rinculo è il risultato di un utilizzo erraneo dell'utensile elettrico e/o di procedure o condizioni di utilizzo erranee e può essere evitato prendendo i necessari provvedimenti elencati di seguito.

a) Manteneate una presa ferma sull'utensile elettrico e posizionate il vostro corpo e braccio in modo da permettervi di resistere alle forze del rinculo. Utilizzate sempre la maniglia ausiliaria, per il massimo controllo sul rinculo o la reazione di coppia durante l'avviamento.
L'operatore è in grado di controllare le reazioni di coppia o le forze del rinculo se vengono prese le adeguate precauzioni.

b) Non posizionate il corpo in linea con e dietro la mola rotante.

Quando la mola, al punto di funzionamento, si sposta lontano dal corpo, il possibile rinculo potrebbe spingere la mola rotante e l'utensile elettrico direttamente verso di voi.

c) Quando la mola si incastra o interrompe un taglio per qualsiasi ragione, spegnete l'utensile elettrico e tenetelo fermo finché la mola non si arresta completamente. Non tentate mai di rimuovere la mola di taglio dal taglio mentre la mola è in movimento altrimenti potrebbe verificarsi il rinculo. Investigate e prendete i necessari provvedimenti per eliminare la causa dell'incastramento della mola.**d) Non riavviate l'operazione di taglio nel pezzo da lavorare. Lasciate che la mola raggiunga la velocità totale e rientrate attentamente nel taglio.**

La mola potrebbe incepparsi, saltare o causare il rinculo se l'utensile elettrico viene riavviato nel pezzo da lavorare.

- Indossare sempre protezioni per occhi e orecchie. Indossare altri dispositivi di protezione personale, quali maschera antipolvere, guanti, casco e grembiule.
- Prestare attenzione alla mola, che continua a ruotare dopo lo spegnimento dell'attrezzo.
- Caricare la batteria ad una temperatura di 0 - 40°C. Una temperatura minore può provocare sovraccarico, il che è pericoloso. La batteria non può essere ricaricata ad una temperatura superiore ai 40°C. La temperatura ideale è compresa 20 - 25°C gradi.
- Non usare il caricatore in continuazione. Quando un'operazione di ricarica è terminata, prima di iniziare una seconda, lasciare che il caricatore riposi per 15 minuti.
- Non permettere che sostanze estranee entrino nel foro di collegamento della batteria ricaricabile.
- Non smontare mai la batteria ricaricabile e il caricatore.
- Non provocare assolutamente mai dei cortocircuiti alla batteria ricaricabile.

Il fenomeno provoca surriscaldamento e grande corrente elettrica. Può quindi causare bruciature o danni alla batteria.

- Non gettare la batteria nel fuoco. Può esplodere.
- Non inserire nessun oggetto nelle fessure di ventilazione del caricatore. Inserendo oggetti metallici o infiammabili nelle fessure di ventilazione, si possono causare facilmente delle scosse elettriche, o si può danneggiare il caricatore.
- Non appena la vita della batteria dopo le operazioni di ricarica diventa troppo breve per fini pratici, si porti la batteria ai negozi dove è stata acquistata. Non la si getti mai via.
- Usando una batteria, il caricatore può venir danneggiato.

ISTRUZIONI DI SICUREZZA GENERALI PER SMERIGLIATRICE ANGOLARE A BATERIA

- Verificare che la velocità riportata sulla mola sia pari o superiore alla velocità nominale della smerigliatrice.
- Verificare che le dimensioni della mola siano compatibili con la smerigliatrice;
- Le mole devono essere immagazzinate e maneggiate con attenzione, secondo le istruzioni del produttore.
- Ispezionare la mola prima dell'utilizzo; evitare l'utilizzo di prodotti scheggiati, rotti o comunque danneggiati.
- Verificare che le mole e le punte montate siano installate secondo le istruzioni del produttore.
- Utilizzare i tamponi se questi vengono forniti con il prodotto abrasivo incollato, e quando sono richiesti.
- Verificare che il prodotto abrasivo sia montato e fissato correttamente prima dell'uso; far funzionare l'attrezzo a vuoto per 30 sec. In posizione sicura, arrestandolo immediatamente in caso di forti vibrazioni o altre anomalie. Se si verifica tale condizione, controllare la macchina per determinarne la causa.
- Se l'attrezzo viene fornito con una protezione, evitare di utilizzarlo senza tale protezione;
- Evitare l'utilizzo di boccole di riduzione o adattatori separati per adattare mole con fori più grandi;
- Nel caso di attrezzi da utilizzare con mole a foro filettato, verificare che la filettatura della mola sia lunga a sufficienza da accettare la lunghezza dell'albero;
- Verificare che il pezzo di lavoro sia adeguatamente sostenuto;
- Non utilizzare mole da taglio per smerigliare lateralmente;
- Evitare che le scintille create dalla lavorazione causino rischi, vale a dire che colpiscano persone o possano accendere sostanze infiammabili.
- Verificare che le aperture di ventilazione siano mantenute libere, quando si lavora in ambienti polverosi; se fosse necessario eliminare la polvere, scollegare prima l'attrezzo dall'alimentazione elettrica (utilizzare oggetti non metallici), evitando di danneggiare l'interno dell'attrezzo.

PRECAUZIONI SULLA BATTERIA AGLI IONI DI LITIO

Per estendere la durata, la batteria agli ioni di litio è munita di una funzione di protezione per arrestarne l'uscita. Nei casi 1 e 2 descritti di seguito, durante l'utilizzo del prodotto, anche se state premendo l'interruttore, il motore potrebbe arrestarsi. Ciò non indica un malfunzionamento ma è il risultato della funzione di protezione.

1. Quando la rimanente alimentazione della batteria si esaurisce, il motore si arresta. In tal caso, ricaricarla immediatamente.
2. Se l'utensile è sovraccarico, il motore potrebbe arrestarsi. In tal caso, rilasciare l'interruttore dell'utensile ed eliminare le cause del sovraccarico. Dopo ciò, sarà possibile riutilizzarlo.

Inoltre, si prega di prestare attenzione al seguente avvertimento e cautela.

AVVERTENZA

Per prevenire qualsiasi perdita delle batterie, generazione di calore, emissione di fumi, esplosione e accensione, assicurarsi di prestare attenzione alle seguenti precauzioni.

1. Assicurarsi che la polvere e i detriti non si accumulino sulla batteria.
- Durante la lavorazione, assicurarsi che la polvere e i detriti non si depositino sulla batteria.

- Assicurarsi che qualsiasi polvere e detriti che si depositano sull'utensile elettrico durante la lavorazione non si accumulino sulla batteria.
 - Non conservare una batteria inutilizzata in un luogo esposto a polvere e detriti.
 - Prima di ritirare una batteria, rimuovere la polvere e i detriti che si sono depositati su di essa e non conservarla insieme a parti metalliche (viti, chiodi, ecc.).
2. Non forare la batteria con un oggetto appuntito come un chiodo, non colpire con un martello, calpestare, lanciare o sottoporre la batterie a violenti urti fisici.
 3. Non usare batterie apparentemente danneggiate o deformate.
 4. Non usare batterie con la polarità invertita.
 5. Non collegare direttamente a prese elettriche o prese per caricabatteria da auto.
 6. Non usare la batteria per uno scopo diverso da quelli specificati.
 7. Se la ricarica della batteria non si completa anche quando è passato un tempo di ricarica specificato, interrompere immediatamente la ricarica.
 8. Non mettere o sottoporre la batteria a temperature elevate o ad alta pressione come in un forno microonde, essiccatore o contenitore ad alta pressione.
9. Tenere immediatamente lontano dal fuoco quando si rilevano perdite o maleodore.
 10. Non usare in un luogo dove viene generata forte elettricità statica.
 11. Se si verifica la perdita delle batterie, maleodore, generazione di calore, scolorimento o deformazione, o se appaiono anomalie di qualsiasi natura durante l'uso, la ricarica o la conservazione, rimuoverla immediatamente dall'apparecchio o carica batteria, e interrompere l'uso.

ATTENZIONE

1. Se il liquido che fuoriesce dalla batteria entra negli occhi, non sfregare gli occhi e lavarli bene con acqua fresca e pulita come acqua di rubinetto e contattare immediatamente un medico. Se non viene trattato, il liquido può causare problemi agli occhi.
2. Se il liquido fuoriesce sulla pelle o gli abiti, lavare bene con acqua pulita come l'acqua del rubinetto immediatamente. C'è una possibilità che possa causare irritazione alla pelle.
3. Se trovate ruggine, maleodore, surriscaldamento, scolorimento, deformazione, e/o altre irregolarità quando si utilizza la batteria per prima volta, non usarla e restituirla al fornitore o venditore.

CARATTERISTICHE

Smerigliatrice angolare a batterie

Modello		G18DL(S)
Voltaggio		18V
Velocità a vuoto		9100 min ⁻¹
Mola	Diametro esterno x diametro interno	125 x 22 mm
	Velocità periferica	80 m/s
Batteria ricaricabile	3,0 Ah	EBM1830: Li-ion (10 cellule)
Peso		1,9 Kg

Caricatore

Modello		UC18YRL
Voltaggio di carica		7,2 – 18 V
Tempo di ricarica	2,0 Ah : Ni-Cd	30 min.
	2,6 Ah : Ni-MH	40 min.
	3,0 Ah : Ni-MH	45 min.
	3,3 Ah : Ni-MH	50 min.
	3,0 Ah : Li-ion	45 min.
Peso		0,6 kg

Il tempo di ricarica è approssimativo. Il tempo di ricarica effettivo potrebbe variare.

ACCESSORI STANDARD

G18DL(S) (2MRK)	① Mola 1
	② Chiave 1
	③ Impugnatura laterale 1
	④ Caricatore 1
	⑤ Batteria 2
	⑥ Custodia in plastica 1
G18DL(S) (MRK)	① Mola 1
	② Chiave 1
	③ Impugnatura laterale 1
	④ Caricatore 1
	⑤ Batteria 1
	⑥ Custodia in plastica 1
G18DL(S) (NN)	Senza Caricatore, Batteria, Custodia in Plastica

Gli accessori standard possono essere cambiati senza preavviso.

IMPIEGHI

- Asportazione di bavature di getti e rifinitura di vari tipi di materiali d'acciaio, bronzo e alluminio e oggetti di ghisa.
- Molatura di sezioni saldate o sezioni tagliate a mezzo saldatore.
- Molatura di resine sintetiche, ardesia, mattoni, marmo, ecc.
- Taglio di cemento sintetico, pietre, mattoni, marmo e materiali simili.

RIMOZIONE E INSTALLAZIONE DELLA BATTERIA

1. Smontaggio della batteria

Tenere saldamente l'impugnatura e spingere il fermo della batteria per rimuovere la batteria (Vedere Fig. 1).

ATTENZIONE

Non mettere la batteria in corto circuito.

2. Montaggio della batteria

Inserire la batteria facendo attenzione alla corretta collocazione della polarità (Vedere Fig. 1).

RICARICA

Prima di utilizzare la smerigliatrice angolare a batteria, caricare la batteria nel seguente modo.

1. Collegare il cavo di alimentazione del caricatore a una presa CA

Quando si collega la spina del caricatore ad una presa a muro, la spia lampeggia in rosso (A intervalli di un secondo).

2. Inserire la batteria nel caricatore

Inserire la batteria saldamente, fino a che viene in contatto con il fondo del comparto caricatore.

ATTENZIONE

- Se la batteria è inserita a rovescio, non solo la carica è impossibile, ma possono anche essere causati problemi al caricatore, come la deformazione del terminale di ricarica.


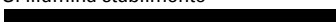



3. Carica

Quando si inserisce una batteria nel caricatore, la carica inizia e la spia si illumina stabilmente in rosso. Quando la batteria è completamente carica, la spia lampeggia in rosso (A intervalli di un secondo) (Vedere la Tabella 1).

(1) Indicazioni della spia

Le indicazioni della spia sono come indicato nella Tabella 1, a seconda delle condizioni del caricabatterie o della batteria ricaricabile.

Tabella 1

		Indicazioni della spia		
Prima della carica	Lampeggia (ROSSO)	Si illumina per 0,5 secondi. Non si illumina per 0,5 secondi. (Spento per 0,5 secondi)		/
Durante la carica	Si illumina (ROSSO)	Si illumina stabilmente		
Carica completa	Lampeggia (ROSSO)	Si illumina per 0,5 secondi. Non si illumina per 0,5 secondi. (Spento per 0,5 secondi)		
Carica impossibile	Lampeggia (ROSSO)	Si illumina per 0,1 secondi. Non si illumina per 0,1 secondi. (Spento per 0,1 secondi)		Malfunzionamento della batteria o del caricatore.
Standby di surriscaldamento	Si illumina (VERDE)	Si illumina stabilmente		Batteria surriscaldata. Impossibile ricaricare (la ricarica comincerà quando la batteria si raffredda).

NOTA: Durante lo standby per il raffreddamento della batteria, UC18YRL raffredda la batteria surriscaldata tramite una ventola di raffreddamento.

- (2) **Temperatura della batteria ricaricabile**
Le temperature delle batterie ricaricabili sono come indicato nella tabella sotto. Consentire alle batterie che si sono riscaldate, di raffreddarsi prima ricaricarle.

Tabella 2 Gamma di temperature per la ricarica delle batterie

Caricatore Batterie ricaricabili	UC18YRL
Batterie Ni-Cd	-5°C – 55°C
Batterie Ni-MH	-5°C – 50°C
Batterie Li-ion	0°C – 50°C

4. Scollegare il cavo di alimentazione del caricatore dalla presa CA

5. Tenere saldamente il caricatore e estrarre la batteria

NOTA

Assicurarsi di estrarre la batteria dal caricatore dopo l'uso e quindi conservarla.

ATTENZIONE

- Se la batteria viene caricata mentre è calda perché rimasta esposta a lungo ai raggi solari o perché immediatamente dopo l'uso della batteria, la spia pilota del caricatore può illuminarsi in verde. In questo caso, prima lasciar raffreddare la batteria e poi eseguire l'operazione di carica.
- Quando la spia lampeggia velocemente in rosso (a intervalli di 0,2 secondi), controllare che non siano presenti oggetti estranei nel foro di installazione della batteria. Se non sono presenti oggetti estranei è probabile che la batteria od il caricatore non funzioni bene. Farla vedere a un Agente di manutenzione autorizzato.
- Siccome il micro computer incorporato impiega circa 3 secondi per confermare che la batteria caricata con UC18YRL sia stata espulsa, attendere un minimo di 3 secondi prima di reinserirla per continuare la ricarica. Se la batteria viene reinserita entro 3 secondi, potrebbe non essere caricata correttamente.

Scarica nel caso di batterie nuove, ecc.

Poiché la sostanza chimica interna delle batterie nuove e delle batterie che non sono state usate per un lungo periodo di tempo non è attivata, la scarica esterna può essere abbassata quando le si usa per la prima e seconda volta. Questo è un fenomeno temporaneo e il tempo normale necessario per la carica viene ripristinato ricaricando la batteria per 2 o 3 volte.

Come mantenere più lunga la durata delle batterie

- (1) **Ricaricare le batterie prima che si scarichino completamente.**
Quando si sente che la potenza dell'attrezzo si indebolisce, interrompere l'uso e ricaricare la batteria. Se si continua l'uso e si finisce la corrente elettrica, la batteria può essere danneggiata e la sua durata abbreviarsi.
- (2) **Evitare di raggiungere alte temperature.**
Una batteria ricaricabile si riscalda subito dopo l'uso. Se si ricarica una batteria subito dopo averla usata, la sostanza chimica interna viene deteriorata e la durata della batteria abbreviata. Consentire alla batteria di raffreddarsi per un po'e quindi ricaricarla.

PRIMA DELL'USO

- 1. Preparazione e controllo dell'ambiente di lavoro**
Controllate che il vostro ambiente di lavoro corrisponda alla caratteristiche esposte nella sezione riguardante la precauzioni da prendersi.
- 2. Carica della batteria**
Controllate che la batteria sia solidamente installata. Se dovesse essere montata male, potrebbe fuoriuscire e causare incidenti.
- 3. Fissaggio e regolazione del carter della mola**
Il carter della mola è un dispositivo per evitare lesioni nel caso che la mola dovesse frantumarsi durante il funzionamento. Assicurarsi che il carter sia ben messo e fissato, prima di iniziare operazioni di molatura. Allentando un poco la vite di regolazione, il carter può essere ruotato e posto a qualsiasi angolo che si desidera, per ottenere la massima efficacia. Assicurarsi che la vite di regolazione sia serrata a fondo, dopo aver regolato il carter della mola.
- 4. Assicurarsi che le mole e le punte montate siano applicate secondo le istruzioni del fabbricante.**
Assicurarsi chi la mola da usare sia del tipo giusto e non abbia incrinature o difetti sulla superficie. Assicurarsi anche che la mola sia ben montata e che il dado della mola sia ben stretto. Vedere il capitolo relativo al "MONTAGGIO E RIMOZIONE DELLA MOLA".
Assicurarsi di usare gli asciugatori se sono forniti insieme al prodotto abrasivo incollato e quando sono necessari.
Non usare boccole di riduzione separate o adattatori per adattare mole abrasive a foro largo.
Per utensili cui devono essere applicate mole a foro filettato, assicurarsi che la filettatura della mola sia di lunghezza sufficiente ad accettare la lunghezza del perno.
Non usare una mola di taglio per molature laterali.
- 5. Esecuzione di una corsa di prova**
Assicurarsi che i prodotti abrasivi siano montati e serrati correttamente prima dell'uso e far funzionare l'utensile senza carico per 30 secondi in una posizione sicura, fermandolo immediatamente se si notano vibrazioni considerevoli o altri difetti. Se si verificano tali condizioni, controllare la macchina per determinare la causa.
- 6. Controllare il pulsante di bloccaggio.**
Esso deve venire sollevato premendolo due o tre volte prima di accendere l'utensile a motore (Vds. Fig. 2).
- 7. Fissaggio dell'impugnatura laterale**
Avvitare l'impugnatura laterale sul coperchio degli ingranaggi.

APPLICAZIONE PRATICHE DELLA MOLATRICE

- 1. Pressione da esercitare**
Per prolungare la vita dell'utensile e assicurare un lavoro di rifinitura di prima qualità, è importante che la macchina non sia sovraccaricata esercitando troppa pressione. In moltissimi casi il solo peso della macchina è sufficiente per una efficace molatura. Una pressione troppo forte porta ad una riduzione della velocità di rotazione, ad una minore

rifinitura di superfici ad un sovraccarico che potrebbe ridurre la vita della macchina.

2. Angolo di molatura

Non appoggiare l'intera superficie della mola al materiale da molare. (Vedere Fig. 1), la macchina deve essere tenuta ad un angolo di 15° - 30°, in modo che il bordo esterno della mola venga a contatto dell'oggetto da lavorare con un angolo ottimale.

3. Per evitare che una mola nuova scavi nell'oggetto da lavorare, all'inizio la molatura deve essere eseguita tirando la smerigliatrice, attraverso l'oggetto da lavorare, nella direzione dell'operatore (Fig. 1 direzione B). Una volta smussato a punto lo spigolo della mola, la molatura pu essere eseguita nell'uno o nell'altro senso.

4. Precauzioni da prendere immediatamente dopo aver eseguito il lavoro di rifinitura

La mola continua a ruotare dopo che l'utensile è stato spento.

Dopo aver spento la macchina, non posarla fino a che la mola non sia completamente arrestata.

Oltre ad evitare gravi incidenti, questa precauzione riduce la quantità di polvere e di detriti succhiati all'interno della macchina.

NOTA

- Per prevenire lesioni, questo prodotto è dotato di una funzione che impedisce la rotazione improvvisa del motore quando viene inserita la batteria. Il motore non gira se la batteria viene inserita mentre l'interruttore è ancora acceso. Dopo aver installato la batteria, spegnere e riaccendere l'interruttore.
- Il modello G18DL(S) è munito di una funzione di protezione che spegne l'utensile in caso di sovraccaricamento. Se l'utensile si ferma a causa di un sovraccaricamento, spegnere e riaccendere l'alimentazione. Un sovraccaricamento che arresta il funzionamento dell'utensile e si protrae per oltre 10 secondi potrebbe non essere eliminato spegnendo e riaccendendo l'alimentazione. Se ciò accade, rimuovere la batteria dall'utensile e reinserirla prima di attivare l'interruttore dell'alimentazione.

ATTENZIONE

- Controllare che il pezzo da lavorare sia sostenuto bene.
- Assicurarsi che le aperture di ventilazione siano libere quando si lavora in condizioni polverose. Se fosse necessario eliminare la polvere, prima scollegare l'utensile dalla presa di corrente (usare oggetti non metallici) ed evitare di danneggiare le parti interne.
- Assicurarsi che le scintille prodotte dall'uso non creino pericoli, come colpire persone o dare fuoco a sostanze infiammabili.
- Usare sempre protezione per gli occhi e le orecchie. Altro abbigliamento di protezione come maschera antipolvere, guanti, casco e grembiule deve essere indossato quando necessario. In caso di dubbi, indossare l'abbigliamento protettivo.
- Quando la macchina non è usata, è necessario scollegare la batteria.

MONTAGGIO E RIMOZIONE DELLA MOLA

(Fig. 2)

ATTENZIONE: Assicurarsi di spegnere l'interruttore ed estrarre la batteria.

1. Montaggio (Fig. 2)

- (1) Capovolgere la smerigliatrice angolare in modo che l'asse sia rivolto in alto.
- (2) Allineare la parte piatta trasversale della rondella ruota con la parte intaccata dell'asse e unire le due parti.
- (3) Inserire la sporgenza della ruota centrale incassata nella rondella ruota.
- (4) Avvitare il dado ruota sull'asse.
- (5) Premendo il pulsante con una mano, bloccare l'asse facendo girare la ruota centrale incassata lentamente con l'altra mano. Serrare il dado ruota usando la chiave in dotazione come mostrato in Fig. 2.

2. Rimozione

Seguire all'inverso il procedimento suddetto.

ATTENZIONE

- Controllare che la mola sia montata saldamente.
- Controllare che la tast di blocco sia libera, spingendola due o tre volte prima di accendere l'utensile a motore.

MANUTENZIONE E CONTROLLI

1. Controllo della mola

Assicurarsi che la mola sia priva di incrinature e di difetti di superficie.

2. Controllo delle viti di tenuta

Controllare regolarmente tutte le viti di tenuta e assicurarsi che siano esclusivamente serrate. Nel caso che una di queste viti dovesse allentarsi riserrarla immediatamente. Se si non ottiene di farlo, si può causare un grave incidente.

3. Manutenzione del motore

L'avvolgimento del motore il vero e proprio "cuore" degli attezi elettrici.

Fare attenzione a non danneggiare l'avvolgimento e/ o non bagnarlo con olio o acqua.

4. Controllo delle spazzole di carbone (Fig. 4)

Il motore impiega spazzole di carbone che sono materiali di consumo. Poiché una spazzola di carbone troppo usurata può creare fastidi al motore, sostituire le spazzole di carbone con altre nuove quando diventano logore o vicine al "limite usura". Inoltre tenere sempre pulite le spazzole e assicurarsi che scorrano liberamente nei portaspazzola.

NOTA

Quando si sostituisce la spazzola di carbone con un'altra nuova, assicurarsi di usare la spazzola di carbone Hitachi a numero di codice 999054.

5. Sostituzione di una spazzola di carbone

Estrarre la spazzola di carbone rimuovendo prima il coperchio spazzola e quindi agganciando la sporgenza della spazzola di carbone con un cacciavite a lama piatta, ecc., come indicato in Fig. 6.

Quando si installa la spazzola di carbone, orientarla in modo che il chiodo della spazzola di carbone corrisponda alla parte di contatto al di fuori del tubo spazzola. Quindi spingerla in dentro con un dito come mostrato in Fig. 7. Infine, installare il coperchio spazzola.

ATTENZIONE

Essere assolutamente sicuri di aver inserito il chiodo della spazzola di carbone nella parte di contatto al di fuori del tubo spazzola. (Si può inserire uno qualsiasi dei due chiodi forniti.)

Fare attenzione perché qualsiasi errore in questa operazione può risultare in deformazioni del chiodo della spazzola di carbone e può creare problemi al motore anticipatamente.

6. Pulizia della carcassa dell'utensile

Quando la smerigliatrice angolare a batteria è macchiata, pulirla con un panno morbido inumidito con acqua e sapone. Non usare solventi cloridrici, benzina o diluenti per benzina, in quanto potrebbero deformare la plastica.

7. Conservazione

Conservare la smerigliatrice angolare a batteria in un luogo dove la temperatura è inferiore a 40°C, e lontano dalla portata dei bambini.

8. Lista dei pezzi di ricambio

- A: N. voce
- B: N. codice
- C: N. uso
- D: Note

CAUTELA

Riparazioni, modifiche e ispezioni di utensili elettrici Hitachi devono essere eseguite da un centro assistenza Hitachi autorizzato.

Questa lista dei pezzi torna utile se viene presentata con l'utensile al centro assistenza Hitachi autorizzato quando si richiedono riparazioni o altri interventi di manutenzione.

Nell'uso e nella manutenzione degli utensili elettrici devono essere osservate le normative di sicurezza e i criteri prescritti in ciascun paese.

MODIFICHE

Gli utensili elettrici Hitachi vengono continuamente migliorati e modificati per includere le più recenti innovazioni tecnologiche.

Di conseguenza, alcuni pezzi (p.es. numero di codice e/o design) possono essere modificati senza preavviso.

GARANZIA

Garantiamo gli Utensili Elettrici Hitachi in conformità alle specifiche normative imposte dalla legge e dai paesi. Questa garanzia non copre difetti o danni dovuti a uso erraneo, abuso o normale usura. In caso di lamentele, si prega di inviare l'Utensile Elettrico, non smontato, insieme al CERTIFICATO DI GARANZIA che si trova al termine di queste Istruzioni per l'uso, ad un Centro di Assistenza Autorizzato Hitachi.

NOTA

A causa del continuo programma di ricerca e sviluppo della HITACHI, le caratteristiche riportate in questo foglio sono soggette a cambiamenti senza preventiva comunicazione.

Informazioni riguardanti i rumori trasmessi dall'aria e le vibrazioni

I valori misurati sono stati determinati in conformità a EN60745 e descritti in conformità alla normativa ISO 4871.

Livello misurato di potenza sonora pesato A: 85 dB (A)
Livello misurato di pressione sonora pesato A: 74 dB (A)
KpA incertezza: 3 dB (A)

Indossare protezioni per le orecchie.

Valori totali di vibrazione (somma vettori triass.) determinati secondo la norma EN60745.

Smerigliatura di superficie:

Valore di emissione vibrazioni **a_h**, **AG** = 9,3 m/s²
Incertezza K = 1,5 m/s²

AVVERTENZA

- Il valore di emissione vibrazioni durante l'uso effettivo dell'utensile può essere diverso dal valore dichiarato in base alle modalità di utilizzo dell'utensile stesso.
- Per individuare le misure di sicurezza per la protezione dell'operatore basate su stima dell'esposizione nelle effettive condizioni di utilizzo (prendendo in considerazione tutte le parti del ciclo di funzionamento come i tempi in cui l'utensile resta spento e quando funziona senza essere utilizzato in aggiunta al tempo di avvio).

ALGEMENE VEILIGHEIDSWAARSCHUWINGEN VOOR ELEKTRISCH GEREEDSCHAP

⚠ WAARSCHUWING

Lees alle waarschuwingen en instructies aandachtig door.

Nalating om de waarschuwingen en instructies op te volgen kan in een elektrische schok, brand en/of ernstig letsel resulteren.

Bewaar alle waarschuwingen en aanwijzingen voor eventuele naslag in de toekomst.

De term "elektrisch gereedschap" heeft zowel betrekking op elektrisch gereedschap dat via de netvoeding van stroom wordt voorzien als gereedschap dat via een accu (snoerloos) van stroom wordt voorzien.

1) Veiligheid van de werkplek

- Zorg voor een schone en goed verlichte werkplek.**
Een rommelige of donkere werkplek verhoogt de kans op ongelukken.
- Gebruik het elektrisch gereedschap niet in een omgeving met ontplofbare vloeistoffen, gassen of stof.**
Elektrisch gereedschap kan vonken afgeven. Deze vonkjes kunnen stofdeeltjes of gassen doen ontbranden.
- Houd kinderen en andere toeschouwers tijdens het gebruik van elektrische gereedschap uit de buurt.**
Afleidingen kunnen gevaarlijk zijn.

2) Elektrische veiligheid

- De stekker op het elektrische gereedschap moet geschikt zijn voor aansluiting op de wandcontactdoos.**
De stekker mag op geen enkele manier gemodificeerd worden. Gebruik geen verloopstekker met geaard elektrisch gereedschap.
Deugdelijke stekkers en geschikte wandcontactdozen verminderen het risico op een elektrische schok.
- Vermijd lichamen contact met geaarde oppervlakken zoals leidingen, radiatoren, fornuizen en koelkasten.**
Wanneer uw lichaam in contact staat met geaarde oppervlakken loopt u een groter risico op een elektrische schok.
- Stel het elektrisch gereedschap niet bloot aan regen of vochtige omstandigheden.**
Het risico op een elektrische schok wordt vergroot wanneer er water in het elektrisch gereedschap terecht komt.
- Behandel het snoer voorzichtig. Draag het gereedschap nooit door dit bij het snoer vast te houden. Trek niet aan het snoer wanneer u de stekker uit het stopcontact wilt halen. Houd het snoer uit de buurt van warmtebronnen, olie, scherpe randen of bewegende onderdelen.**
Een beschadigd of verward snoer verhoogt het risico op een elektrische schok.
- Gebruik buitenshuis een verlengsnoer dat specifiek geschikt is voor het gebruik buiten.**
Het gebruik van een snoer dat specifiek geschikt is voor gebruik buitenshuis vermindert het risico op een elektrische schok.

- Als het elektrisch gereedschap in een vochtige omgeving gebruikt moet worden, dient een voeding met RCD (reststroom-apparaat) beveiliging te worden gebruikt.**
Gebruik van een RCD vermindert de kans op een elektrische schok.
- Persoonlijke veiligheid**
 - Blijf waakzaam, let voortdurend op uw werk en gebruik uw gezond verstand wanneer u elektrisch gereedschap gebruikt.**
Gebruik geen elektrisch gereedschap wanneer u moe bent of onder invloed van drugs, alcohol of medicijnen.
Eén moment van onoplettendheid kan in ernstig lichamen letsel resulteren.
 - Gebruik persoonlijke beschermingsmiddelen. Draag altijd oogbescherming.**
Beschermingsmiddelen zoals stofmaskers, niet-glijdende veiligheidsschoenen, een helm of oorbescherming vermindert het risico op lichamen letsel.
 - Voorkom dat het gereedschap per ongeluk kan starten. Controleer of de schakelaar in de uit stand staat voordat u de voeding en/of de accu aansluit, het gereedschap oppakt of gaat dragen.**
Zorg ervoor dat u tijdens het verplaatsen van het elektrisch gereedschap uw vingers uit de buurt van de schakelaar houdt en sluit de stroombron niet aan terwijl de schakelaar op aan staat om ongelukken te vermijden.
 - Verwijder sleutels en moersleutels uit het gereedschap voordat u het elektrisch gereedschap aanzet.**
Een (moer-)sleutel die op een bewegend onderdeel van het elektrisch gereedschap bevestigd is kan in lichamen letsel resulteren.
 - Reik niet te ver. Zorg ervoor dat u te allen tijde stevig staat en uw evenwicht behoudt.**
Op deze manier heeft u tijdens een onverwachte situatie meer controle over het elektrisch gereedschap.
 - Draag geen loszittende kleding of sieraden. Houd uw haar, kleding en handschoenen uit de buurt van bewegende onderdelen.**
Loszittende kleding, sieraden en lang haar kunnen in de bewegende onderdelen verstrikt raken.
 - Indien het elektrisch gereedschap van een aansluiting voor stofafzuiging is voorzien dan dient u ervoor te zorgen dat de stofafzuiging aangesloten en op de juiste manier gebruikt wordt.**
Het gebruik van stofafzuiging vermindert eventuele stofgerelateerde risico's.
 - Bediening en onderhoud van elektrisch gereedschap**
 - Het elektrisch gereedschap mag niet geforceerd worden. Gebruik het juiste gereedschap voor het karwei.**
U kunt de klus beter en veiliger uitvoeren wanneer u het juiste elektrische gereedschap gebruikt.
 - Gebruik het elektrisch gereedschap niet als de schakelaar niet goed werkt.**
Elektrisch gereedschap dat niet via de schakelaar bediend kan worden is gevaarlijk en moet onmiddellijk gerepareerd worden.

- c) Haal de stekker uit het stopcontact voordat u de voeding en/of de accu van het elektrisch gereedschap losmaakt, afstellingen verricht, accessoires verwisselt of voordat u het elektrisch gereedschap opbergt.

Dergelijke preventieve veiligheidsmaatregelen verminderen het risico dat het elektrisch gereedschap per ongeluk opstart.

- d) Berg elektrisch gereedschap buiten het bereik van kinderen op en sta niet toe dat personen die niet bekend zijn met het juiste gebruik van het gereedschap of deze voorschriften dit elektrisch gereedschap gebruiken.

Elektrisch gereedschap is gevaarlijk in onbevoegde handen.

- e) Het elektrisch gereedschap moet regelmatig onderhouden worden. Controleer het gereedschap op een foutieve uitlijning, vastgelopen of defecte bewegende onderdelen en andere problemen die van invloed zijn op de juiste werking van het gereedschap.

Indien het gereedschap defect of beschadigd is moet het gerepareerd worden voordat u het gereedschap opnieuw gebruikt.

Slecht onderhouden elektrisch gereedschap is verantwoordelijk voor een groot aantal doe-het-zelf ongelukken.

- f) Houd snijwerktuigen scherp en schoon.

Goed onderhouden snijwerktuigen met scherpe snijranden lopen minder snel vast en zijn gemakkelijker in het gebruik.

- g) Elektrisch gereedschap, toebehoren, bits enz. moeten in overeenstemming met deze instructies worden gebruikt waarbij de werkomstandigheden en het werk in overweging moeten worden genomen.

Gebruik van het elektrisch gereedschap voor andere doeleinden dan waarvoor het is bedoeld, kan resulteren in een gevaarlijke situatie.

- 5) Gebruik van gereedschap en onderhoud van de batterij

- a) Herlaad enkel met de lader die door de fabrikant wordt gespecificeerd.

Een lader die geschikt is voor één bepaald type batterijgroep kan brandgevaar veroorzaken bij een andere batterijgroep.

- b) Gebruik de apparaten enkel met specifiek ontworpen batterijgroepen.

Het gebruik van andere batterijgroepen kan letsels of brand veroorzaken.

- c) Wanneer de batterijgroep niet in gebruik is, houdt u ze verwijderd van andere metalen voorwerpen zoals papierclips, munten, sleutels, spijkers, schroeven of andere metalen voorwerpen die een verbinding van de ene terminal met de andere kunnen maken.

De batterijterminals kortsluiten kan brandwonden of brand veroorzaken.

- d) Bij een verkeerd gebruik kan er vloeistof uit de batterij lekken; vermijd elk contact. Indien er toevallig contact ontstaat, goed met water spoelen. Indien de vloeistof in contact met de ogen komt, ook medische hulp inroepen.

Vloeistof die uit de batterij lekt kan irritatie en brandwonden veroorzaken.

- 6) Onderhoudsbeurt

- a) Het gereedschap mag uitsluitend door bevoegd onderhoudspersoneel worden onderhouden die authentieke onderdelen gebruikt.

Hierdoor kunt u erop aan dat de veiligheid van het elektrisch gereedschap behouden blijft.

VOORZORGMAATREGELEN

Houd kinderen en kwetsbare personen op een afstand. Het gereedschap moet na gebruik buiten het bereik van kinderen en andere kwetsbare personen worden opbergen.

ALGEMENE VEILIGHEIDSINSTRUCTIES VOOR SLIJPEN OF DOORSLIJPEN

- a) Dit elektrisch gereedschap is bedoeld voor gebruik als een slijp- of doorslijpmachine. Lees alle veiligheidsinstructies, waarschuwingen, illustraties en specificaties die bij dit elektrisch gereedschap worden geleverd.

Niet opvolgen van alle onderstaande instructies kan elektrische schokken, brand en/of ernstig letsel veroorzaken.

- b) Gebruik van dit elektrisch gereedschap voor afschuren, staalborstelen of polijsten wordt niet aanbevolen. Gebruik van dit elektrisch gereedschap voor doeleinden waarvoor dit niet geschikt is kan gevaar opleveren en lichamelijk letsel veroorzaken.

- c) Gebruik geen toebehoren die niet specifiek ontworpen en aanbevolen zijn door de fabrikant van het gereedschap.

Enkel het feit dat het toebehoren aan uw elektrisch gereedschap bevestigd kan worden betekent niet dat dit veilig gebruikt kan worden.

- d) De nominale snelheid van het toebehoren moet tenminste gelijk zijn aan de maximum snelheid die op het elektrisch gereedschap staat aangegeven.

Toebehoren die sneller draaien dan hun nominale snelheid kunnen stuk draaien en uit elkaar vliegen.

- e) De buitendiameter en de dikte van uw toebehoren moet binnen de nominale capaciteit van uw elektrisch gereedschap vallen.

Toebehoren van een verkeerde maat kunnen niet voldoende beveiligd of onder controle gehouden worden.

- f) De opsteekmaat van wielen, flenzen, steunplaten of andere toebehoren moeten correct passen op de as van het elektrisch gereedschap.

Toebehoren met opsteekgaten die niet overeenkomen met het montagegedeelte van het elektrisch gereedschap zullen uit balans raken, overmatig trillen en verlies van controle veroorzaken.

- g) Gebruik geen beschadigde toebehoren. Inspecteer voor elk gebruik het toebehoren zoals slijpwielen op afgebroken stukjes en barsten, de steunplaat op barsten, scheuren of buitengewone slijtage, de draadborstel op loszittende of gebroken draden. Als het elektrisch gereedschap is komen te vallen, dit inspecteren op beschadiging of een onbeschadigd toebehoren monteren. Plaats na het inspecteren en monteren van een toebehoren zelf en omstanders uit de buurt van het vlak van het draaiende toebehoren en laat het elektrisch gereedschap gedurende één minuut onbelast op maximum snelheid draaien.

Normaal zullen beschadigde toebehoren tijdens deze testperiode stuk gaan.

- h) **Draag beschermende uitrusting. Gebruik afhankelijk van de toepassing gezichtsbescherming, oogbescherming of een veiligheidsbril. Draag al naar gelang de omstandigheden een stofmasker, gehoorbescherming, handschoenen en een werkschoot dat slijpsel of kleine materiaaldeeltes kan tegenhouden.**

De oogbescherming moet rondvliegende deeltjes die door diverse werkzaamheden worden geproduceerd kunnen tegenhouden. Het stofmasker of respirator moet deeltjes die door uw werkzaamheden geproduceerd worden kunnen filteren. Langdurige blootstelling aan geluid met hoge intensiteit kan tot gehoorverlies leiden.

- i) **Houd omstanders op veilige afstand van de werkplek. Alle personen die de werkplek betreden moeten veiligheidsuitrusting dragen.**

Materiaalfragmenten of een defect geraakt toebehoren kunnen wegspringen en letsel veroorzaken buiten de onmiddellijke omgeving van de werkplek.

- j) **Houd het elektrisch gereedschap vast bij de geïsoleerde handgrepen tijdens het uitvoeren van een karwei waarbij het snijtoebehoren in contact kan komen met verborgen bedrading of het eigen snoer.**

Wanneer een snijtoebehoren in aanraking komt met een kabel die onder spanning staat, kunnen de blootliggende metalen delen van het elektrisch gereedschap onder spanning komen en de operator een elektrische schok toebrengen.

- k) **Plaats het snoer uit de buurt van het draaiende toebehoren.**

Als u de controle verliest, kan het snoer doorgesneden of verstrikt raken en kan uw hand of arm in het draaiende toebehoren getrokken worden.

- l) **Leg het elektrisch gereedschap nooit neer totdat het toebehoren volledig tot stilstand is gekomen. Het draaiende toebehoren kan zich in het oppervlak vastzetten zodat u de controle over het elektrisch gereedschap verliest.**

- m) **Laat het elektrisch gereedschap niet draaien wanneer u dit naast u draagt.**

Wanneer het draaiende toebehoren per ongeluk in contact komt met uw kleding kan dit daarin verstrikt raken en kan het toebehoren in uw lichaam worden getrokken.

- n) **Reinig regelmatig de ventilatieopeningen van het elektrisch gereedschap.**

De ventilator van de motor trekt stof in de behuizing en een overmatige opeenhoping van metaalpoeder kan gevaar voor elektrische schokken opleveren.

- o) **Gebruik het elektrisch gereedschap niet in de buurt van brandbare materialen.**

Deze materialen kunnen door vonken tot ontbranding komen.

- p) **Gebruik geen toebehoren waarvoor een vloeibaar koelmiddel vereist is.**

Gebruik van water of overig vloeibaar koelmiddel kan elektrocutie of schok tot gevolg hebben.

TERUGSLAG EN VERBAND HOUDENDE WAARSCHUWINGEN

Terugslag is een plotselinge reactie van een draaiend wiel, steunplaat, borstel of ander toebehoren dat klemgeraakt of vastgelopen is. Klemraken of vastlopen veroorzaakt snel afslaan van het draaiende toebehoren dat daardoor het elektrisch gereedschap bij het punt van klemraken eigenmachtig in de richting forceert tegenovergesteld aan de draairichting van het toebehoren.

Als bijvoorbeeld een slijpwiel vastgelopen of klemgeraakt is in het werkstuk, kan de rand van het wiel dat in het klempunt zit zich gaan vastzetten in het materiaaloppervlak waardoor het wiel omhoog kan springen of terugslaan. Het wiel kan in de richting van de operator of van deze vandaan springen, afhankelijk van de draairichting van het wiel op het punt van klemraken. Slijpwielen kunnen onder deze omstandigheden ook breken.

Terugslag is het resultaat van verkeerd gebruik van het elektrisch gereedschap en/of verkeerde bedieningsprocedures of omstandigheden en kan worden voorkomen door het nemen van de juiste voorzorgsmaatregelen zoals hieronder aangegeven.

- a) **Houd het elektrische gereedschap stevig in uw greep en houd uw lichaam en arm in een positie waarbij terugslagkrachten opgevangen kunnen worden. Gebruik altijd de extra handgreep, indien voorzien, voor maximale controle over terugslag of reactiekoppel bij het opstarten.**

De operator kan reactiekoppel of terugslagkrachten onder controle houden als de juiste voorzorgsmaatregelen worden genomen.

- b) **Plaats uw hand nooit in de buurt van het draaiende toebehoren.**

Het toebehoren kan over uw hand terugslaan.

- c) **Breng uw lichaam niet in een positie op een plaats waar het elektrisch gereedschap in het geval van terugslag naar toe kan bewegen.**

Terugslag forceert het gereedschap in een richting tegenovergesteld aan de beweging van het wiel bij het punt van vastlopen.

- d) **Wees bijzonder voorzichtig bij het bewerken van hoeken, scherpe randen, enz. Voorkom dat het toebehoren terugspringt en vastloopt.**

Hoeken, scherpe randen of terugspringen hebben de neiging het draaiende toebehoren te laten vastlopen en kan verlies van controle of terugslag veroorzaken.

- e) **Bevestig geen zaagblad voor houtsnijwerk of een getand zaagblad.**

Dergelijke bladen veroorzaken vaak terugslag en verlies van controle.

VEILIGHEIDSLINSTRUCTIES SPECIEF VOOR SLIJP- EN DOORSLIJPWERKZAAMHEDEN

- a) **Gebruik uitsluitend typen wielen die aanbevolen zijn voor uw elektrisch gereedschap en de specifieke beveiliging die bestemd is voor het gekozen wiel. Wielen waarvoor het elektrisch gereedschap niet geschikt is kunnen niet voldoende beveiligd worden en zijn onveilig.**

- b) De beveiliging moet stevig bevestigd worden aan het elektrisch gereedschap en in positie gebracht worden voor maximale veiligheid, zodat een zo klein mogelijk gedeelte van het wiel blootligt in de richting van de operator.

De beveiliging helpt de operator te beschermen tegen afgebroken wielfragmenten en het per ongeluk in contact komen met het wiel.

- c) Wielen mogen enkel gebruikt worden voor de aanbevolen toepassingen. Bijvoorbeeld: niet slijpen met de zijkant van een doorslijpwiël.

Doorslijpwielen zijn bedoeld voor slijpen met de buitenste rand; als er zijdelings kracht op deze wielen wordt uitgeoefend kunnen deze breken.

- d) Gebruik altijd onbeschadigde wielflenzen die de juiste maat en vorm hebben voor het door u gekozen wiel.

Juiste wielflenzen ondersteunen het wiel en verminderen daardoor de kans op het stuk gaan van een wiel. Flenzen voor doorslijpwielen kunnen afwijken van die voor slijpwielflenzen.

- e) Gebruik geen versleten wielen van groter elektrisch gereedschap.

Een wiel dat bedoeld is voor een groter elektrisch gereedschap is niet geschikt voor de hogere snelheid van een kleiner gereedschap en kan uit elkaar springen.

AANVULLENDE VEILIGHEIDSINSTRUCTIES SPECIFIEK VOOR DOORSLIJPWERKZAAMHEDEN

- a) Laat het doorslijpwiël niet vastlopen en oefen er geen overmatige druk op uit. Probeer geen overmatige diepe insnijding te maken.

Teveel druk op het wiel verhoogt de belasting en de kans op verdraaiing of vastlopen van het wiel in de snede en mogelijkheid van terugslag en stuk gaan van het wiel.

- b) Breng uw lichaam niet in een positie in lijn met en achter het draaiende wiel.

Wanneer het wiel, op het punt van gebruik, van uw lichaam vandaan beweegt, kan door een mogelijke terugslag het draaiende wiel en het elektrisch gereedschap direct naar u toe geforceerd worden.

- c) Wanneer het wiel is klemgeraakt of wanneer het snijden om een andere reden wordt onderbroken, het elektrisch gereedschap uitschakelen en het elektrisch gereedschap op de plaats vasthouden totdat het wiel volledig gestopt is. Probeer nooit het doorslijpwiël uit de snede te halen terwijl het wiel in beweging is omdat anders de kans bestaat op terugslag.

Onderzoek de oorzaak van het klemraken van het wiel en neem passende maatregelen om de oorzaak te verhelpen.

- d) Start het snijden niet opnieuw in het werkstuk. Laat het wiel eerst op volle snelheid draaien en breng dit opnieuw voorzichtig in de snede.

Het wiel kan klemraken, wegspringen of terugslaan als het elektrisch gereedschap opnieuw in het werkstuk gestart wordt.

ALGEMENE VEILIGHEIDSINSTRUCTIES VOOR DE SNOERLOZE HAAKSE SLIJPMACHINE

- Controleer dat de op het wiel aangegeven snelheid gelijk aan of groter dan de nominale snelheid van de slijpmachine is;
- Controleer dat de afmetingen van het wiel compatibel zijn met de slijpmachine;
- Schuurwielen dienen, overeenkomstig met de instructies van de fabrikant, voorzichtig te worden gebruikt en opgeslagen;
- Controleer een slijpwiël vóór gebruik – gebruik geen afgesplinterde, gebroken of anderszins defecte producten;
- Controleer dat aangehaakte wielen en punten in overeenstemming met de instructies van de fabrikant worden gemonteerd;
- Zorg dat u, indien meegeleverd en nodig, vloeiblokken gebruikt met het aangehechte schuurproduct;
- Controleer vóór gebruik dat het schuurproduct correct is aangehaakt en vastgemaakt en zet het apparaat zonder last en in veilige positie aan voor een periode van 30 seconden. Zet het apparaat onmiddellijk uit bij heftige vibraties of andere defecten. Controleer het apparaat in het geval van defecten en zoek naar de oorzaak;
- Indien het apparaat wordt geleverd met een afscherming dient u deze te allen tijde te gebruiken;
- Gebruik geen losse adapters of hulsen om schuurwielen met te grote gaten te kunnen plaatsen;
- Controleer bij het gebruik van een van binnen bedraad wiel dat het draad lang genoeg is voor de spillengte;
- Zorg dat het werkstuk goed wordt ondersteund;
- Gebruik geen afgezaagde wielen voor zijslippen;
- Zorg dat eventuele vonken niet voor schade kunnen zorgen, bijvoorbeeld door tegen mensen op te spatten, of door ontvlambare substanties te onsteken;
- Zorg dat de ventilatiegaten niet worden geblokkeerd bij gebruik onder stoffige omstandigheden. Indien het noodzakelijk is om het gereedschap schoon te maken, haal dan eerst de stekker uit het stopcontact (gebruik geen objecten van metaal) en voorkom beschadiging van interne onderdelen;
- Draag altijd oog- en oorbescherming. Ook andere beschermende uitrusting zoals stofmasker, handschoenen, helm en schort dient te worden gedragen;
- Houd het wiel, dat ook na uitschakeling nog even blijft draaien, goed in de gaten.
- Laad de accu bij een temperatuur van 0 – 40°C. Een temperatuur van onder 0°C kan overlading veroorzaken, hetgeen gevaarlijk kan zijn. De accu kan niet bij een temperatuur van boven de 40°C geladen worden. De meest geschikte temperatuur is tussen de 20 – 25°C.
- Gebruik de acculader niet continu. Wacht ongeveer 15 minuten voordat met het laden van een andere accu begonnen wordt.
- Voorkom dat stof of vuil in de opening van de aansluiting van de batterij terecht komt.
- Demonteer de oplaadbare batterij of oplader niet.

- Voorkom kortsluiting van de oplaadbare batterij. Kortsluiting kan resulteren in oververhitting. Dit kan schade of brandgevaar opleveren.
 - Gooi de batterij niet in het vuur. Een brandende batterij kan ontploffen.
 - Steek nooit een voorwerp in de ventilatieopeningen van de oplader. Als een voorwerp of ontvlambaar materiaal in de ventilatie-openingen van de oplader wordt gestoken, kan dit resulteren in een elektrische schok of beschadiging aan de oplader.
 - Breng de batterij naar de dealer waar deze gekocht werd, indien deze na oplading onvoldoende kracht heeft voor praktisch gebruik. Gooi een uitgewerkte batterij niet weg.
 - Het gebruiken van een uitgeputte accu zal de oplader beschadigen.
4. Gebruik de accu niet met een omgekeerde polariteit.
 5. Sluit hem niet rechtstreeks aan op elektrische toestellen of fittingen van sigarettenaanstekers in wagens.
 6. Gebruik de accu niet voor andere doeleinden dan deze die gespecificeerd werden.
 7. Wanneer de accu niet kan worden opgeladen, zelfs nadat de specifieke oplaadtijd verstreken is, stopt u onmiddellijk met het opladen.
 8. Breng de accu niet op hoge temperaturen of drukken of stel ze er niet aan bloot, zoals in een microgolfoven, droger of een hogedrukcontainer.
 9. Blijf uit de buurt van vuur onmiddellijk nadat een lek of vieze geur werd vastgesteld.
 10. Gebruik hem niet in een plaats waar een grote statische elektriciteit wordt opgewekt.
 11. In geval van een acculek, vieze geur, warmteopwekking, verkleuring of vervorming, of iets abnormaals tijdens het gebruik, het opladen of de opslag, haalt u hem onmiddellijk uit de uitrusting of de acculader en stopt u het gebruik.

OPMERKINGEN BIJ GEBRUIK LITHIUM-ION BATTERIJ

De lithium-ion batterij is voorzien van een beschermingsfunctie die volledige ontlading van de batterij voorkomt waardoor de levensduur wordt verlengd.

In geval 1 en 2 hieronder kan de motor tijdens het gebruik van het product tot stilstand komen, zelfs wanneer u de schakelaar ingedrukt houdt. Dit geeft geen probleem met het product aan maar wordt veroorzaakt door de beschermingsfunctie.

1. De motor komt tot stilstand wanneer de batterij leeg is. De batterij moet in dit geval onmiddellijk opgeladen worden.
2. De motor kan tot stilstand komen wanneer het gereedschap overbelast is. Laat de schakelaar onmiddellijk los en zoek naar de oorzaak van de overbelasting. Wanneer u het probleem verholpen heeft kunt u het gereedschap opnieuw gebruiken.

Gelieve eveneens aandacht te schenken aan volgende waarschuwing en aandachtspunt.

WAARSCHUWING

Om acculekken, het opwekken van warmte, rookemissie, explosie en ontsteking bijtijds te vermijden, moet u ervoor zorgen volgende voorzorgsmaatregelen onder de aandacht te brengen.

1. Zorg ervoor dat er geen spaanders en stof op de accu ophopen.
 - Zorg er tijdens de werkzaamheden voor dat er geen spaanders en stof op de accu kunnen vallen.
 - Zorg ervoor dat de spaanders en stof die tijdens het werk op het elektrisch gereedschap vallen zich niet op de accu ophopen.
 - Bewaar een ongebruikte accu niet op een plaats waar het aan spaanders en stof wordt blootgesteld.
 - Verwijder alle spaanders en stof van een accu voordat u hem opbergt en bewaar de accu niet op dezelfde plek als metalen onderdelen (schroeven, spijkers, enz.).
2. Doorboor de accu niet met een scherp voorwerp, zoals een nagel, klop er niet op met een hamer, stap niet op de accu of gooi er niet mee of stel hem niet bloot aan ernstige fysieke schokken.
3. Gebruik geen zichtbare beschadigde of vervormde accu.

LET OP

1. Wanneer u de lekkende vloeistof uit de accu in de ogen krijgt, wrijf dan niet in de ogen, en was ze goed uit met vers proper water, zoals kraantjeswater en roep er onmiddellijk een dokter bij. Indien u geen behandeling krijgt, kan de vloeistof oogproblemen veroorzaken.
2. Wanneer de vloeistof lekt op uw huid of kleding, was ze onmiddellijk goed af met proper water, zoals kraantjeswater. De kans bestaat dat dit huidirritatie veroorzaakt.
3. Wanneer u roest, een vieze geur, oververhitting, verkleuring, vervorming en/of andere onregelmatigheden vaststelt wanneer u de accu voor de eerste maal gebruikt, gebruik ze dan niet verder en stuur ze terug naar de leverancier of de verkoper.

TECHNISCHE GEGEVENS

Snoerloze haakse slijpmachine

Model	G18DL(S)	
Voltage	18V	
Onbelaste snelheid	9100 min ⁻¹	
Schuurschijf	buitendiameter × binnendiameter	125 × 22 mm
	omtrekssnelheid	80 m/s
Oplaadbare batterij	3,0 Ah	EBM1830: Li-ion (10 cellen)
Gewicht	1,9 Kg	

Oplader

Model	UC18YRL	
Oplaadspanning	7,2 – 18 V	
Oplaadtijds	2,0 Ah : Ni-Cd	30 min.
	2,6 Ah : Ni-MH	40 min.
	3,0 Ah : Ni-MH	45 min.
	3,3 Ah : Ni-MH	50 min.
	3,0 Ah : Li-ion	45 min.
Gewicht	0,6 kg	

De oplaadtijd is bij benadering; de werkelijke oplaadtijd kan variëren.

STANDAARD TOEBEHOREN

G18DL(S) (2MRK)	① Schuurschijf	1
	② Sleutel	1
	③ Handgreep	1
	④ Acculader	1
	⑤ Batterij	2
	⑥ Plastic doos	1
G18DL(S) (MRK)	① Schuurschijf	1
	② Sleutel	1
	③ Handgreep	1
	④ Acculader	1
	⑤ Batterij	1
	⑥ Plastic doos	1
G18DL(S) (NN)	Zonder acculader, batterij, plastic doos	

De standaard toebehoren kunnen zonder aankondiging op ieder moment worden veranderd.

TOEPASSINGEN

- Verwijdering van gietresten en eindafwerking van verschillende staalkwaliteiten, brons- en aluminiummaterialen en gietdelen.
- Het schuren van gelaste stukken of van door brandsnijden vervaardigde stukken.
- Het schuren van kunsthars, lei, baksteen, marmer, etc.
- Snijden van synthetisch beton, natuursteen, baksteen, marmer en dergelijke materialen.

INLEGGEN EN UITNEMEN VAN DE BATTERIJ

1. Verwijderen van de batterij

Houd de handgreep goed vast en druk tegen de batterijvergrendeling om de batterij te verwijderen (zie **Afb. 1**).

LET OP

Sluit de batterij nooit kort.

2. Aanbrengen van de batterij

Plaats de batterij met de polen aan de juiste kant (zie **Afb. 1**).

OPLADEN

Voor het gebruik van de snoerloze haakse slijpmachine dient de accu als volgt opgeladen te worden.

1. Sluit het netsnoer van het acculader op het stopcontact aan

Wanneer de stekker van de acculader in het stopcontact wordt gestoken, zal het controlelampje in rood knipperen (Met tussenpozen van 1 seconde).

2. Steek de batterij in het acculader

Druk de batterij stevig op zijn plaats, tot het de bodem van het lader-compartiment raakt.

LET OP

- Zorg dat de batterij in de juiste richting van plus en min wordt geplaatst, anders is niet alleen opladen onmogelijk, maar er kunnen ook storingen in de werking van de oplader ontstaan zoals een beschadigd oplaadcontact.

3. Opladen

Wanneer een batterij in de acculader wordt aangebracht, blijft het controlelampje continu rood branden.

Wanneer de batterij volledig is opgeladen, gaat het controlelampje in rood knipperen (Met tussenpozen van 1 seconde) (Zie **Tabel 1**).

(1) Aanduiding van de controlelampje

De aanduidingen van het controlelampje zijn zoals aangegeven in **Tabel 1**, al naar gelang de toestand van de oplaadbare batterij of het acculader.

Tabel 1

Aanduidingen van het controlelampje			
Voor het laden	Knippert (ROOD)	Brandt ongeveer 0,5 seconde. Brandt ongeveer 0,5 seconde niet. (Uit voor 0,5 seconde)	/
Tijdens opladen	Brandt (ROOD)	Blijft branden	
Na opladen	Knippert (ROOD)	Brandt ongeveer 0,5 seconde. Brandt ongeveer 0,5 seconde niet. (Uit voor 0,5 seconde)	
Opladen onmogelijk	Knippert (ROOD)	Brandt ongeveer 0,1 seconde. Brandt ongeveer 0,1 seconde niet. (Uit voor 0,1 seconde)	Er is iets mis met de batterij of met het acculader.
Oververhitting standby	Brandt (GROEN)	Blijft branden	De batterij is oververhit. De batterij kan niet opgeladen worden (het opladen wordt hervat wanneer de batterij is afgekoeld).

OPMERKING: De UC18YRL koelt de oververhitte batterij met een koelventilator af.

- (2) Batreffende de temperatuur van de oplaadbare batterij De temperatuur van oplaadbare batterijen verloopt zoals aangegeven in de onderstaande tabel; batterijen die erg warm zijn dient u voor het opladen even af te laten koelen.
- Omdat de ingebouwde microcomputer ongeveer 3 seconden nodig heeft om te bevestigen dat de met UC18YRL opgeladen batterij uit de lader is genomen, dient u 3 seconden te wachten met het terugplaatsen van de batterij om het opladen te continueren. De batterij wordt mogelijk onjuist opgeladen wanneer u de batterij binnen drie seconden terugplaatst.

Tabel 2 Temperatuur voor opladen van baterijen

Chargeur	UC18YRL
Oplaadbare batterijen	
Ni-Cd batterijen	-5°C – 55°C
Ni-MH batterijen	-5°C – 50°C
Li-ion batterijen	0°C – 50°C

Betreffende het ontladen raken van nieuwe batterij e.d.

Aangezien bij nieuwe en langdurig niet gebruikte batterij de chemische aktiviteit is teruggelopen, zal de stroomopbrengst bij het eerste en tweede gebruik slechts gering zijn. Dit is een tijdelijk verschijnsel; de normale oplaadtijd kan hersteld worden door de accu 2 à 3 maal bij kamer-temperatuur op te laden.

Om langdurig gebruik van de batterij te bevorderen

- 4. Trek de stekker van het oplaadapparaat uit het stopkontakt
- 5. Houd het oplaadapparaat stevig vast en trek de batterij er uit

OPMERKING

Verwijder beslist de accu van de lader na gebruik. Bewaar op een veilige plaats.

LET OP

- Als wordt geprobeerd de batterij op te laden terwijl deze te warm is geworden door langdurige blootstelling aan direkt zonlicht of onmiddellijk na gebruik van de batterij, is het mogelijk dat het controlelampje van de acculader groen oplicht. Mocht dit zich voordoen, laat de batterij dan eerst even afkoelen alvorens u deze oplaadt.
- Wanneer het controlelampje snel in rood knippert (vijfmaal per seconde), neem de batterij dan uit het oplaadapparaat en controleer de opening van de laatste dan op de aanwezigheid van een voorwerp dat er niet hoort. Is er geen voorwerp in de opening aanwezig, dan is de storing waarschijnlijk te wijten aan de oplaadbare batterij of het oplaadapparaat. Laat deze dan controleren door een bevoegde onderhoudsinstantie.

VOOR BEGIN VAN WERK

- 1. Voorbereiden en controleren van de werkomgeving**
Zorg ervoor dat de werkplaats voldoet aan alle eisen die in de voorzorgsmaatregelen vermeld staan.
- 2. Controleren van de batterij**
Zorg ervoor dat de batterij stevig geplaatst wordt. Indien dit niet gebeurt, kan het voorkomen dat de accu eruit valt en een ongeluk veroorzaakt.
- 3. Het aanbrengen en instellen van de beschermkap**
De beschermkap is een beveiligingsinrichting, waardoor schade verhinderd moet worden, wanneer de schuur schijf tijdens het bedrijf zou breken. Er moet op gelet worden, dat de kap juist aangebracht en bevestigd is, voordat men met het schuren begint. Door het licht losdraaien van de vergrendelings Schroef kan de beschermkap gedraaid en in elke gewenste hoek ingesteld worden om een maximaal prestatievermogen te bereiken. Zekergesteld moet worden, dat de vergrendelings Schroef na het instellen van de beschermkap juist vastgedraaid wordt.
- 4. Controleer of gemonteerde schijven en andere onderdelen in overeenstemming met de aanwijzingen van de fabrikant zijn bevestigd.**
Verder moet er op gelet worden, dat de te gebruiken schuur schijf de juiste uitvoering is en zonder scheurtjes en oppervlaktefoutjes is. Tevens moet er op gelet worden, dat de schuur schijf juist gemonteerd en de moer van de schuur schijf vast aangedraaid is. Zie het punt "MONTEREN EN DEMONTEREN VAN DE SCHUURSCHIJF".
Zorg ervoor dat er een vloei blok gebruikt wordt als dit wordt meegeleverd met verlijmd schuurproducten en gebruik daarvan vereist is.
Gebruik geen losse vulringen of adapters om slijpschijven met te grote middengaten te gebruiken. Voor gereedschap dat bedoeld is voor montage van schijven met Schroefdraad dient u ervoor te zorgen dat de Schroefdraad in de schijf lang genoeg is voor de lengte van de as.
Gebruik de oppervlakte van een slijpschijf niet om te schuren.
- 5. Het uitvoeren van een proefdraaiing**
Zorg ervoor dat het schuurproduct op de juiste manier gemonteerd en vastgezet is voor gebruik, laat het gereedschap zonder belasting 30 seconden lang op een veilige plek proefdraaien en stop onmiddellijk als u trillingen voelt of andere problemen bemerkt. In een dergelijk geval dient u de machine te inspecteren om de oorzaak op te sporen.
- 6. Controleer de blokkeerstift**
Controleer of de blokkeerstift los is door er een paar keer op te drukken voor u het elektrische gereedschap aan zet (Zie Afb. 2).
- 7. Bevestigen van de handgreep**
Schroef de handgreep in de behuizing vast.

PRAKTISCH SCHUURWERK

- 1. Druk**
Voor de levensduur van de machine en voor prima werk is het belangrijk, dat de machine niet door te sterke druk overbelast wordt. Bij het meeste gebruik is het gewicht van de machine voor doeltreffend

schuren voldoende. Te sterke druk leidt tot een verminderd toerental, slecht afgewerkt oppervlak en een overbelasting die de levensduur van de machine zou kunnen verminderen.

2. Schuurhoek

Niet de totale oppervlakte van de schuur schijf op het te schuren materiaal leggen. De machine moet in een hoek van 15° – 30° gehouden worden, zoals afgebeeld in **Afb. 1**, zodat de buitenkant van de schuur schijf het werkstuk in een optimale hoek aanraakt.

- 3. Opdat een nieuwe schuur schijf zich niet in het werkstuk graaft, moet met het begin van het schuurwerk zo uitgevoerd worden, dat de schuurmachine over het werkstuk naar degene, die de machine bedient, getrokken wordt (**Afb. 1 richting B**). Wanneer de voorkant van de schuur schijf desbetreffend afgeschuurd is, kan het schuren in beide richtingen uitgevoerd worden.**

4. Veiligheidsmaatregelen onmiddellijk na beëindiging van het werk.

De schijf blijft draaien nadat het gereedschap is uitgeschakeld.

Na het uitschakelen mag de machine pas neergelegd worden, wanneer de schuur schijf volledig tot stilstand gekomen is. Afgezien van dat u hiermee ongelukken vermijdt, wordt door deze veiligheidsmaatregel tevens vermeden, dat stof en spaanders in de machinegezogen worden.

OPMERKING

- Om letsel te voorkomen is dit product uitgerust met een functie die voorkomt dat de motor kan gaan draaien wanneer de accu wordt geplaatst. De motor kan niet draaien als de accu geplaatst wordt wanneer de schakelaar nog op AAN staat. Nadat u de accu heeft geplaatst moet u de schakelaar uit en vervolgens opnieuw aan zetten.
- Het G18DL(S) model is voorzien van een beschermingsfunctie dat het gereedschap in geval van overbelasting uitschakelt.
Als het gereedschap zichzelf als gevolg van overbelasting uitschakelt, dient u de stroom uit en vervolgens weer aan te zetten.
Wanneer het gereedschap wegens overbelasting wordt uitgeschakeld en dit langer dan 10 seconden duurt dan kan het gebeuren dat het gereedschap niet opnieuw ingeschakeld kan worden door het eerst uit en dan weer aan te zetten. In dit geval dient u de accu uit het gereedschap te halen en terug te plaatsen voordat u de stroomschakelaar aanzet.

LET OP

- Controleer of het werkstuk goed ondersteund wordt.
- Zorg ervoor dat de ventilatie-openingen vrij blijven, vooral wanneer u onder stoffige omstandigheden moet werken. Als u stof moet verwijderen, dient u eerst de stekker van het gereedschap uit het stopcontact te halen (gebruik in geen geval metalen voorwerpen) en zorg ervoor dat u de onderdelen in het binnenwerk niet beschadigt.
- Zorg ervoor dat eventuele vonken geen gevaar kunnen opleveren, dus bijv. geen personen kunnen raken of brandbare materialen kunnen ontsteken.
- Draag altijd oog- en gehoorbescherming. Andere beschermingsmiddelen, zoals een stofmasker,

handschoenen, helm en schort moeten worden gebruikt indien nodig. Bij twijfel kunt u deze beschermingsmiddelen het beste gebruiken.

- Wanneer de machine niet gebruikt wordt, moet de accu losgekoppeld worden.

MONTEREN EN DEMONTEREN VAN DE SCHUURSCHIJF (Afb. 2)

VOORZICHTIG: Zorg ervoor dat u de schakelaar hebt uitgezet en de accu hebt verwijderd.

1. Monteren (Afb. 2)

- (1) Keer de haakse slijpmachine ondersteboven zodat de as naar boven wijst.
- (2) Pas de onderlegging op de inkeping van de as en maak deze vast.
- (3) Pas het uitsteeksel van de schijf met het verlaagde midden op de onderlegging.
- (4) Schroef de schijfmoer op de as.
- (5) Druk met één hand de borgknop in en vergrendel de as door de schijf met het verlaagde midden langzaam met uw andere hand rond te draaien. Zet de schijfmoer vast met de meegeleverde sleutel, zoals u kunt zien op **Afb. 2**.

2. Demonteren

Het demonteren geschiedt in omgekeerde volgorde.

VOORZICHTIG

- Controleer of de schuurschijf stevig vastzit.
- Gekontroleerd moet worden of de drukknop losgemaakt is, door twee of drie keer voor het aanschakelen van het apparaat op de drukknop te drukken.

ONDERHOUD EN INSPECTIE

1. Controle van de schuurschijf

Er moet op gelet worden, dat de schuurschijf zonder scheurtjes en foutjes aan de oppervlakte is.

2. Inspectie van de bevestigingsschroef

Alle bevestigingsschroeven worden regelmatig geïnspecteerd en gecontroleerd of zij juist aangedraaid zijn. Wanneer één van de schroeven losraakt, dan moet deze onmiddellijk opnieuw aangedraaid worden. Gebeurt dat niet, dan kan dat tot aanzienlijke gevaren leiden.

3. Onderhoud van de motor

De motorwikkeling is het „hart“ van het elektrische gereedschap.

Er moet daarom bijzonder zorgvuldig op gelet worden, dat de wikkeling niet beschadigd en/or met olie of water bevochtigd wordt.

4. Inspectie van de koolborstels (Afb. 4)

In de motor zijn koolborstels gebruikt, die onderhevig zijn aan slijtage. Omdat een te ver versleten koolborstel kan leiden tot problemen met de motor, dient u de koolborstel te vervangen door een nieuwe wanneer deze tot aan of tot bij de „slijtagelimit“ versleten is. Bovendien moeten de koolborstels altijd schoon zijn en zich vrij in de borstelhouders kunnen bewegen.

OPMERKING

Verzeker u ervan dat u de Hitachi koolborstel code no. 999054 gebruikt, wanneer u de koolborstel vervangt.

5. Het wisselen van de koolborstel

Neem de koolborstel uit door eerst de kap van de borstel te verwijderen en vervolgens een

schroevendraaier of iets dergelijks in het uitsteeksel van de koolborstel te haken, zoals te zien is in **Afb. 6**. Als u de koolborstel intalleert, moet u de richting zo kiezen dat de nagel van de koolborstel overeenkomt met het contactgedeelte buiten de borstelbuis. Duw de koolborstel vervolgens naar binnen met uw vinger, zoals te zien is in **Afb. 7**. Doe vervolgens de kap van de borstel weer terug.

LET OP

U moet echt de nagel van de koolborstel in het contactgedeelte buiten de borstelbuis passen. (U mag om het even welk van de twee meegeleverde nagels gebruiken.) U moet hier goed op letten, want een eventuele fout hiermee kan resulteren in een vervorming van de nagel van de koolborstel en kan in een vroeg stadium problemen met de motor veroorzaken.

6. Reinigen van de behuizing

Gebruik een zachte, droge doek bevochtigd met zeepsop om de snoerloze haakse slijpmachine schoon te maken. Gebruik geen benzine, ververdunner of chloorproducten, omdat deze het plastic doen smelten.

7. Opbergen

Bewaar de snoerloze haakse slijpmachine op een plek buiten het bereik van kinderen en waar de temperatuur lager is dan 40°C.

8. Lijst vervangingsonderdelen

- A: Ond.nr.
- B: Codenr.
- C: Gebr.nr.
- D: Opm.

LET OP

Reparatie, modificatie en inspectie van Hitachi elektrisch gereedschap dient te worden uitgevoerd door een erkend Hitachi Service-centrum.

Deze Onderdelenlijst komt van pas wanneer u deze samen met het gereedschap aanbiedt bij het erkende Hitachi Service-centrum wanneer u om reparatie of ander onderhoud verzoekt.

Bij gebruik en onderhoud van elektrisch gereedschap dienen de in het land waar u zich bevindt geldende veiligheidsregelgeving en veiligheidsstandaarden strikt te worden opgevolgd.

MODIFICATIES

Hitachi elektrisch gereedschap wordt voortdurend verbeterd en gewijzigd teneinde gebruik te kunnen maken van de nieuwste technische ontwikkelingen. Daarom is mogelijk dat sommige onderdelen (zoals codenummers en/of ontwerp) zonder voorafgaande kennisgeving gewijzigd worden.

GARANTIE

De garantie op het elektrisch gereedschap van Hitachi is in overeenstemming met de wettelijke/landspecifieke richtlijnen. Deze garantie dekt geen defecten of schade als gevolg van foutief gebruik, misbruik of normale slijtage. In geval van klachten verzoeken wij u het elektrisch gereedschap samen met het GARANTIECERTIFICAAT dat u achterin deze handleiding aantreft naar een erkend servicecentrum van Hitachi te sturen. Indien door de gebruiker de machine wordt gedemonteerd vervalt de aanspraak op garantie.

AANTEKENING

Op grond van het voortdurende research- en ontwikkelingsprogramma van HITACHI zijn veranderingen van de hierin genoemde technische opgaven voorbehouden.

informatie betreffende luchtgeluid en trillingen

De gemeten waarden zijn verkregen overeenkomstig EN60745 en voldoen aan de eisen van ISO 4871.

Gemeten A-gewogen geluidsniveau: 85 dB (A)

Gemeten A-gewogen geluidsdrumniveau: 74 dB (A)

Onzekerheid KpA: 3 dB (A)

Draag gehoorbescherming.

Totale trillingswaarden (triax vector som) bepaald overeenkomstig EN60745.

Oppervlak slijpen:

Trillingsemissiewaarde **a_h, AG** = 9,3 m/s²

Onzekerheid K = 1,5 m/s²

WAARSCHUWING

- De trillingsemissiewaarde tijdens het feitelijke gebruik van het elektrisch gereedschap kan afwijken van de opgegeven waarde afhankelijk van de manieren waarop het gereedschap wordt gebruikt.
- Neem kennis van de veiligheidsmaatregelen voor de bescherming van de operator welke gebaseerd zijn op een schatting van blootstelling onder feitelijke gebruiksomstandigheden (rekening houdend met alle onderdelen van de gebruikscyclus, zoals de tijd dat het gereedschap is uitgeschakeld en wanneer dit onbelast draait inclusief de triggertijd).

ADVERTENCIAS DE SEGURIDAD GENERAL DE LA HERRAMIENTA ELÉCTRICA

⚠ ADVERTENCIA

Lea todas las instrucciones y advertencias de seguridad. Si no se siguen las advertencias e instrucciones, podría producirse una descarga eléctrica, un incendio y/o daños graves.

Guarde todas las advertencias e instrucciones para futura referencia.

El término “herramienta eléctrica” en las advertencias hace referencia a la herramienta eléctrica que funciona con la red de suministro (con cable) o a la herramienta eléctrica que funciona con pilas (sin cable).

1) Seguridad del área de trabajo

- Mantenga la zona de trabajo limpia y bien iluminada. Las zonas desordenadas u oscuras pueden provocar accidentes.
- No utilice las herramientas eléctricas en entornos explosivos como, por ejemplo, en presencia de líquidos inflamables, gases o polvo. Las herramientas eléctricas crean chispas que pueden inflamar el polvo o los humos.
- Mantenga a los niños y transeúntes alejados cuando utilice una herramienta eléctrica. Las distracciones pueden hacer que pierda el control.

2) Seguridad eléctrica

- Los enchufes de las herramientas eléctricas tienen que ser adecuados a la toma de corriente. No modifique el enchufe. No utilice enchufes adaptadores con herramientas eléctricas conectadas a tierra. Si no se modifican los enchufes y se utilizan tomas de corriente adecuadas se reducirá el riesgo de descarga eléctrica.
- Evite el contacto corporal con superficies conectadas a tierra como tuberías, radiadores y frigoríficos. Hay mayor riesgo de descarga eléctrica si su cuerpo está en contacto con el suelo.
- No exponga las herramientas eléctricas a la lluvia o a la humedad. La entrada de agua en una herramienta eléctrica aumentará el riesgo de descarga eléctrica.
- No utilice el cable incorrectamente. No utilice el cable para transportar, tirar de la herramienta eléctrica o desenchufarla. Mantenga el cable alejado del calor, del aceite, de bordes afilados o piezas móviles. Los cables dañados o enredados aumentan el riesgo de descarga eléctrica.
- Cuando utilice una herramienta eléctrica al aire libre, utilice un cable prolongador adecuado para utilizarse al aire libre. La utilización de un cable adecuado para usarse al aire libre reduce el riesgo de descarga eléctrica.
- Si no se puede evitar el uso de una herramienta eléctrica en un lugar húmedo, utilice un suministro protegido mediante un dispositivo de corriente residual (RCD). El uso de un RCD reduce el riesgo de descarga eléctrica.

3) Seguridad personal

- Esté atento, preste atención a lo que hace y utilice el sentido común cuando utilice una herramienta eléctrica.

No utilice una herramienta eléctrica cuando esté cansado o esté bajo la influencia de drogas, alcohol o medicación.

La distracción momentánea cuando utiliza herramientas eléctricas puede dar lugar a importantes daños personales.

- Utilice un equipo de protección. Utilice siempre una protección ocular. El equipo de protección como máscara para el polvo, zapatos de seguridad antideslizantes, casco o protección para oídos utilizado para condiciones adecuadas reducirá los daños personales.
 - Evite un inicio involuntario. Asegúrese de que el interruptor está en “off” antes de conectar la herramienta a una fuente de alimentación y/o batería, cogerla o transportarla. El transporte de herramientas eléctricas con el dedo en el interruptor o el encendido de herramientas eléctricas con el interruptor encendido puede provocar accidentes.
 - Retire las llaves de ajuste antes de encender la herramienta eléctrica. Si se deja una llave en una pieza giratoria de la herramienta eléctrica podrían producirse daños personales.
 - No se extralimite. Mantenga un equilibrio adecuado en todo momento. Esto permite un mayor control de la herramienta eléctrica en situaciones inesperadas.
 - Vístase adecuadamente. No lleve prendas sueltas o joyas. Mantenga el pelo, la ropa y los guantes alejados de las piezas móviles. La ropa suelta, las joyas y el pelo largo pueden pillarse en las piezas móviles.
 - Si se proporcionan dispositivos para la conexión de extracción de polvo e instalaciones de recogida, asegúrese de que están conectados y se utilizan adecuadamente. La utilización de un sistema de recogida de polvo puede reducir los riesgos relacionados con el polvo.
- #### 4) Utilización y mantenimiento de las herramientas eléctricas
- No fuerce la herramienta eléctrica. Utilice la herramienta eléctrica correcta para su aplicación. La herramienta eléctrica correcta trabajará mejor y de forma más segura si se utiliza a la velocidad para la que fue diseñada.
 - No utilice la herramienta eléctrica si el interruptor no la enciende y apaga. Las herramientas eléctricas que no pueden controlarse con el interruptor son peligrosas y deben repararse.
 - Desconecte el enchufe de la fuente eléctrica y/o la batería de la herramienta eléctrica antes de hacer ajustes, cambiar accesorios o almacenar herramientas eléctricas. Estas medidas de seguridad preventivas reducen el riesgo de que la herramienta eléctrica se ponga en marcha accidentalmente.
 - Guarde las herramientas eléctricas que no se utilicen para que no las cojan los niños y no permita que utilicen las herramientas eléctricas personas no familiarizadas con las mismas o con estas instrucciones. Las herramientas eléctricas son peligrosas si son utilizadas por usuarios sin formación.

- e) **Mantenimiento de las herramientas eléctricas.** Compruebe si las piezas móviles están mal alineadas o unidas, si hay alguna pieza rota u otra condición que pudiera afectar al funcionamiento de las herramientas eléctricas. Si la herramienta eléctrica está dañada, llévela a reparar antes de utilizarla.
Se producen muchos accidentes por no realizar un mantenimiento correcto de las herramientas eléctricas.
- f) **Mantenga las herramientas de corte afiladas y limpias.**
Las herramientas de corte correctamente mantenidas con los bordes de corte afilados son más fáciles de controlar.
- g) **Utilice la herramienta eléctrica, los accesorios y las brocas de la herramienta, etc. de acuerdo con estas instrucciones, teniendo en cuenta las condiciones laborales y el trabajo que se va a realizar.**
La utilización de la herramienta eléctrica para operaciones diferentes a aquellas pretendidas podría dar lugar a una situación peligrosa.
- 5) **Utilización y mantenimiento de las herramientas a batería**
- a) **Recargue sólo con el cargador especificado por el fabricante.**
Un cargador adecuado para un tipo de batería podría crear peligro de incendio si se utiliza con otra batería.
- b) **Utilice herramientas eléctricas sólo con baterías designadas específicamente.**
La utilización de otras baterías podría crear peligro de daños e incendio.
- c) **Cuando no se utilice la batería, manténgala alejada de otros objetos metálicos como clips de papel, monedas, llaves, clavos, tornillos u otros objetos metálicos pequeños que puedan hacer una conexión de un terminal a otro.**
Si se acercan y acercan los terminales de las baterías, podrían producirse quemaduras o un incendio.
- d) **Bajo condiciones abusivas, podría salir líquido de la batería; evite todo contacto. Si se produce un contacto accidentalmente, aclare con agua. Si entra líquido en los ojos, busque ayuda médica.**
El líquido de la batería podría causar irritación o quemaduras.
- 6) **Revisión**
- a) **Lleve su herramienta a que la revise un experto cualificado que utilice sólo piezas de repuesto idénticas.**
Esto garantizará el mantenimiento de la seguridad de la herramienta eléctrica.

PRECAUCIÓN

Mantenga a los niños y a las personas enfermas alejadas. Cuando no se utilicen, las herramientas deben almacenarse fuera del alcance de los niños y de las personas enfermas.

ADVERTENCIAS COMUNES DE SEGURIDAD PARA LAS OPERACIONES DE MOLIDO O CORTE ABRASIVO

- a) Esta herramienta eléctrica está diseñada para utilizarse como amoladora o herramienta de corte.
- i) **Mantenga a los viandantes alejados del área de trabajo. Toda persona que entre en la zona de trabajo debe utilizar equipo de protección personal.**

Lea todas las advertencias de seguridad, instrucciones, ilustraciones y especificaciones proporcionadas con esta herramienta.

Si no se siguen todas las instrucciones indicadas a continuación, podría producirse una descarga eléctrica, un incendio y/o daños graves.

- b) **No se recomienda realizar operaciones como lijado, cepillado metálico o pulido con esta herramienta.** Las operaciones para las que no se diseñó la herramienta eléctrica podrían producir un riesgo y causar daños personales.

- c) **No utilice accesorios que no estén diseñados y estén recomendados específicamente por el fabricante de la herramienta.**

El hecho de que el accesorio pueda acoplarse en la herramienta eléctrica no garantiza una operación segura.

- d) **La velocidad nominal del accesorio debe ser al menos igual a la velocidad máxima marcada en la herramienta eléctrica.**

Los accesorios que se utilizan con una velocidad superior a la indicada podrían romperse o descomponerse.

- e) **El diámetro externo y el grosor de su accesorio debe estar dentro de la clasificación de capacidad de su herramienta metálica.**

Los accesorios de tamaño incorrecto no pueden supervisarse o controlarse adecuadamente.

- f) **El tamaño de pérgola de las ruedas, bridas, almohadillas de respaldo u otros accesorios deben encajar correctamente en el eje de la herramienta metálica.**

Los accesorios con orificios de pérgola que no coincidan con la estructura de montaje de la herramienta eléctrica se desequilibrarán, vibrarán en exceso y pueden causar una pérdida de control.

- g) **No utilice un accesorio dañado. Antes de cada uso, inspeccione el accesorio, mirando si las ruedas abrasivas tienen grietas o roturas, las almohadillas de respaldo tienen grietas, rasgadas o desgaste excesivo o el cepillo metálico está suelto o con el metal roto. Si se cae la herramienta eléctrica o el accesorio, inspeccione si está dañado o instale un accesorio sin dañar. Tras inspeccionar e instalar un accesorio, tanto usted como los viandantes deben alejarse del plano del accesorio giratorio y utilizar la herramienta eléctrica a máxima velocidad sin carga durante un minuto.**

Los accesorios dañados se romperán durante este periodo de prueba.

- h) **Utilice equipo protector personal. Dependiendo de la aplicación, utilice protector facial, gafas protectoras o gafas de seguridad. Si procede, utilice máscara para polvo, protectores auditivos, guantes y mono capaz de detener pequeños fragmentos abrasivos o piezas de trabajo.**

El protector ocular debe ser capaz de detener los desechos que salen desprendidos generados por las diferentes operaciones. La máscara para polvo o respirador debe ser capaz de filtrar partículas generadas por su operación. Una exposición prolongada a un ruido de intensidad elevada podría producir pérdida de audición.

- i) **Mantenga a los viandantes alejados del área de trabajo. Toda persona que entre en la zona de trabajo debe utilizar equipo de protección personal.**

Los fragmentos de un trabajo o un accesorio roto pueden salir despedidos y causar daños más allá del área de operación inmediata.

- j) **Sujete la herramienta eléctrica sólo por las superficies de agarre aisladas cuando realice una operación en la que el accesorio de corte pueda entrar en contacto con el cableado oculto o su propio cable.**

El accesorio de corte que contacta con una cable "vivo" puede hacer que las partes metálicas expuestas de la herramienta eléctrica pasen a estar "vivas" y produzcan una descarga en el operario.

- k) **Coloque el cable cerca del accesorio giratorio.**
Si pierde el control, podría cortarse el cable o engancharse y la mano o brazo podrían entrar en el accesorio giratorio.

- l) **No coloque boca abajo la herramienta eléctrica hasta que el accesorio se haya parado completamente.**

El accesorio giratorio podría agarrar la superficie y descontrolar la herramienta eléctrica.

- m) **No ponga en marcha la herramienta eléctrica cuando la lleve al lado.**

Un contacto accidental con el accesorio giratorio podría enganchar la ropa y el accesorio podría herirle.

- n) **Limpie regularmente los conductos de aire de la herramienta eléctrica.**

El ventilador del motor sacará el polvo de dentro del alojamiento y la acumulación excesiva de metal en polvo podría producir peligros eléctricos.

- o) **No utilice la herramienta eléctrica cerca de materiales inflamables.**

Las chispas podrían quemar dichos materiales.

- p) **No utilice accesorios que requieran refrigerantes líquidos.**

Al utilizar agua u otros refrigerantes líquidos podría producirse una electrocución o descarga.

REBOTE Y ADVERTENCIAS RELACIONADAS

El rebote es una reacción repentina a una rueda giratoria, almohadilla de soporte, cepillo u otro accesorio pinchado o enganchado. El pinchazo o enganche causa una parada rápida del accesorio giratorio que, a su vez, hace que la herramienta eléctrica no controlada vaya en la dirección opuesta del giro del accesorio en el punto de atasco.

Por ejemplo, si una rueda abrasiva es engançada o pinchada por la pieza de trabajo, el borde de la rueda que entra en el punto de pinchazo puede enterrarse en la superficie del material haciendo que la rueda se salga. La rueda puede saltar hacia el operario o salir despedida de este, dependiendo de la dirección del movimiento de la rueda en el punto de pinchazo. Las ruedas abrasivas también pueden romperse bajo estas condiciones.

El rebote es el resultado de un uso incorrecto y/o procedimientos o condiciones operativos incorrectos de la herramienta eléctrica y puede evitarse tomando las precauciones adecuadas indicadas a continuación.

- a) **Agarre la herramienta eléctrica firmemente y coloque el cuerpo y el brazo para que pueda resistirse a las fuerzas de retroceso. Utilice siempre una agarradera auxiliar, si se proporciona, para un control máximo sobre el rebote o reacción del par durante la puesta en marcha.**

El operario puede controlar las reacciones del par o las fuerzas de rebote, si se toman las precauciones adecuadas.

- b) **No coloque la mano cerca del accesorio giratorio.**
El accesorio puede rebotarse en la mano.

- c) **No coloque el cuerpo en la zona en la que la herramienta eléctrica se mueva si se produce un rebote.**

El rebote impulsará a la herramienta en dirección opuesta al movimiento de la rueda en el punto de enganche.

- d) **Tenga especial cuidado cuando trabaje con esquinas, bordes afilados, etc. Evite rebotar y enganchar el accesorio.**

Las esquinas, bordes afilados o el rebote tienden a enganchar el accesorio giratorio y causan la pérdida de control y rebote.

- e) **No coloque una cuchilla talladora de madera o cuchilla dentada en la sierra.**

Dichas cuchillas a menudo producen rebote y pérdida de control.

ADVERTENCIAS DE SEGURIDAD ESPECÍFICAS PARA LAS OPERACIONES DE MOLIDO Y CORTE ABRASIVO

- a) **Utilice sólo tipos de ruedas recomendados para su herramienta eléctrica y el protector específico diseñado para la rueda seleccionada.**

Las ruedas para las que no se diseñó la herramienta eléctrica no pueden protegerse adecuadamente y no son seguras.

- b) **La protección debe colocarse firmemente en el herramienta eléctrica y colocarse para máxima seguridad, de forma que se expone al operario la cantidad mínima de rueda.**

La protección ayuda a proteger al operario de los fragmentos de rueda rotos y del contacto accidental con la rueda.

- c) **Las ruedas deben utilizarse sólo para las aplicaciones recomendadas. Por ejemplo, no muela con el lado de la rueda de corte.**

Las ruedas de corte abrasivas están diseñadas para un molido periférico. Las fuerzas laterales aplicadas a estas ruedas pueden hacer que se rompan.

- d) **Utilice siempre bridas de ruedas sin dañar de tamaño y forma correcta para la rueda seleccionada.**

Las bridas de rueda adecuadas soportan la rueda, reduciendo la posibilidad de rotura de rueda. Las bridas para ruedas de corte pueden ser diferentes de las bridas de rueda de molido.

- e) **No utilice ruedas de herramientas eléctricas más grandes.**

La rueda diseñada para una herramienta eléctrica más grande no es adecuada para la velocidad superior de una herramienta inferior y podría estallar.

ADVERTENCIAS DE SEGURIDAD ADICIONALES PARA LAS OPERACIONES DE CORTE ABRASIVO

- a) **No "atasque" la rueda de corte o aplique una presión excesiva. No trate de realizar un corte demasiado profundo.**

Sobre tensionar la rueda hace que aumente la carga y la susceptibilidad a que se tuerza u obstruya la rueda en el corte y la posibilidad de rebote o rotura de la rueda.

b) No coloque el cuerpo alineado con o detrás de la rueda giratoria.

Cuando la rueda, en el punto de operación, salga disparada del cuerpo, el posible rebote podría impulsar la rueda giratoria y la herramienta eléctrica directamente hacia usted.

c) Cuando la rueda se atasque o se interrumpa un corte por algún motivo, apague la herramienta eléctrica y no mueva la herramienta eléctrica hasta que la rueda se detenga completamente. No trate de eliminar la rueda de corte del corte mientras la rueda esté en movimiento, ya que podría producirse un rebote.

Investigue y tome medidas correctoras para eliminar la causa del atasco de la rueda.

d) No reinicie la operación de corte en la pieza de trabajo. Deje que la rueda alcance plena velocidad y vuelva a entrar con cuidado en el corte.

La rueda puede atascarse, desplazarse o rebotar si se reinicia la herramienta eléctrica en la pieza de trabajo.

INSTRUCCIONES GENERALES DE SEGURIDAD PARA AMOLADORA ANGULAR A BATERÍA

- Compruebe que la velocidad marcada en la rueda es igual o superior a la velocidad media de la amoladora;
- Asegure que las dimensiones de la rueda son compatibles con la amoladora;
- Las ruedas abrasivas deben almacenarse y manipularse con cuidado de acuerdo con las instrucciones del fabricante;
- Inspeccione la rueda amoladora antes de utilizarla. No utilice productos descascarillados, agrietados o defectuosos;
- Asegure que las ruedas y puntos montados se ajustan a las instrucciones del fabricante;
- Asegure que se utilizan secantes cuando se proporcionan con el producto abrasivo y cuando se requiera;
- Asegure que el producto abrasivo está correctamente montado y ajustado antes de la utilización y ponga en marcha la herramienta sin carga durante 30 segundos en una posición segura; pare inmediatamente si hay vibración considerable o si se detectan otros defectos. Si ocurre esto, compruebe la máquina para determinar la causa;
- Si la herramienta se proporciona con una tapa, no utilice nunca la herramienta sin dicha tapa;
- No utilice cojinetes reductores o adaptadores diferentes para adaptar ruedas abrasivas de orificio grande;
- Para herramientas que se utilicen con rueda de orificio roscado, asegúrese de que la rosca de la rueda es lo suficientemente larga para aceptar la longitud del eje;
- Compruebe que la pieza de trabajo está bien sujeta;
- No utilice una rueda de recorte para el amole lateral;
- Asegúrese de que las chispas emitidas al utilizar la herramienta no crean ningún riesgo, es decir, no alcanzan a ninguna persona ni sustancia inflamable;

- Asegúrese de que las aperturas de ventilación están despejadas cuando trabaje en condiciones con polvo. Si es necesario limpiar el polvo, desconecte primero la herramienta de la toma de corriente (utilice objetos no metálicos) y evite dañar las piezas internas;
- Utilice siempre protección de ojos y de oídos, así como otro equipo protector personal como máscara de polvo, guantes, casco y mono;
- Preste atención a la rueda que sigue girando tras apagar la herramienta.
- Siempre cargar la batería a una temperatura de 0 – 40°C.
Una temperatura inferior a 0°C causa una sobrecarga, lo que es peligroso. No puede cargarse la batería a una temperatura mayor de 40°C.
La temperatura más apropiada para cargar es la de 20 – 25°C.
- No usar el cargador continuamente.
Cuando se completa la carga, dejar descansar el cargador por 15 minutos antes de proseguir con la carga siguiente.
- No dejar que entre suciedad por el orificio de conexión de la batería recargable.
- Nunca desarmar la batería recargable ni el cargador.
- Nunca poner en cortocircuito la batería recargable. Poner en cortocircuito a la batería produce una corriente eléctrica enorme y el consecuente calentamiento, pudiendo quemar o deteriorar la batería.
- No tirar la batería al fuego.
Si se quema la batería puede explotar.
- No insertar ningún objeto en las ranuras de ventilación del cargador.
La penetración de objetos metálicos o inflamables en dichas ranuras puede provocar electrochoques o dañar el cargador.
- Llevar la batería al sitio de compra original en el caso de que la duración de la batería recargable sea reducida al usarse. No tirar la batería descargada.
- El uso de una batería descargada dañará el cargador.

ADVERTENCIA DE LA BATERÍA DE LITIO

Para ampliar su duración, la batería de litio está equipada con la función de protección para detener la salida.

En los casos 1 y 2 descritos más abajo, cuando utilice este producto, incluso si tira del interruptor, el motor puede detenerse. No es un problema, sino el resultado de la función de protección.

1. Cuando la batería restante se agota, el motor se detiene.
En este caso, cárguela inmediatamente.
2. Si la herramienta se sobrecarga, el motor puede detenerse. En este caso, suelte el interruptor de la herramienta y elimine las causas de la sobrecarga. A continuación, puede volverla a utilizar.

Asimismo, preste atención a las siguientes advertencias y precauciones.

ADVERTENCIA

Para evitar fugas de la batería, generación de calor, emisión de humo, explosiones e igniciones, preste atención a las siguientes precauciones.

1. Asegúrese de que no entran virutas o polvo en la batería.

- Durante el trabajo, asegúrese de que no caen virutas o polvo en la batería.
 - Asegúrese de que las virutas o el polvo que caen sobre la herramienta eléctrica durante el trabajo no entran en la batería.
 - No almacene una batería sin utilizar en un lugar expuesto a virutas y polvo.
 - Antes de almacenar una batería, retire las virutas y el polvo que se haya adherido y no la almacene junto a piezas metálicas (tornillos, clavos, etc.).
2. No agujeree la batería con un objeto afilado como un clavo, no la golpee con un martillo, la pise, la tire o la esponga a fuertes impactos físicos.
 3. No utilice una batería que pudiera estar dañada o deformada.
 4. No utilice la batería con las polaridades cambiadas.
 5. No conecte la batería directamente a salidas eléctricas o a los encendedores de cigarrillos de los coches.
 6. No utilice la batería para un fin diferente a los especificados.
 7. Si la carga de la batería no finaliza incluso cuando ha transcurrido un determinado tiempo de recarga, detenga inmediatamente la recarga.
 8. No coloque o esponga la batería a temperaturas elevadas o alta presión como en un microondas, una secadora o un contenedor de gran presión.
9. Aléjela del fuego inmediatamente cuando se detecte una fuga o un olor raro.
 10. No la utilice en un lugar donde se genere gran electricidad estática.
 11. Si hay una fuga de la batería, mal olor, se genera color, está descolorida o deformada, o de algún modo funciona de forma anormal durante su utilización, recarga o almacenamiento, retirela inmediatamente del equipo o del cargador de la batería y detenga su utilización.

PRECAUCIÓN

1. Si el líquido de fuga de la batería entra en contacto con los ojos, no se los frote y lávelos bien con agua limpia como, por ejemplo, agua del grifo y póngase en contacto con un médico inmediatamente.
Si no se trata, el líquido podría causar problemas de visión.
2. Si el líquido de fuga entra en contacto con la piel o la ropa, lávela bien con agua limpia como, por ejemplo, agua del grifo inmediatamente.
Podría producir irritación de la piel.
3. Si observa óxido, mal olor, recalentamiento, decoloración, deformación y/u otras irregularidades al utilizar la batería por primera vez, no la utilice y devuélvasela a su proveedor o distribuidor.

ESPECIFICACIONES**Amoladora angular a batería**

Modelo		G18DL(S)
Tensión		18V
Velocidad sin carga		9100 min ⁻¹
Muela	diámetro exterior x diámetro interior	125 × 22 mm
	Velocidad periférica	80 m/s
Batería recargable	3,0 Ah	EBM1830: Li-ion (10 celdas)
Peso		1,9 Kg

Cargador

Modelo		UC18YRL
Tensión de carga		7,2 – 18 V
Tiempo de carga	2,0 Ah : Ni-Cd	30 min.
	2,6 Ah : Ni-MH	40 min.
	3,0 Ah : Ni-MH	45 min.
	3,3 Ah : Ni-MH	50 min.
	3,0 Ah : Li-ion	45 min.
Peso		0,6 kg

El tiempo de carga es aproximado. El tiempo de carga real puede variar.

ACCESORIOS ESTANDAR

G18DL(S) (2MRK)	① Muela de alisado	1
	② Llave para tuercas	1
	③ Asidero lateral	1
	④ Cargador	1
	⑤ Batería	2
	⑥ Caja de plástico	1
G18DL(S) (MRK)	① Muela de alisado	1
	② Llave para tuercas	1
	③ Asidero lateral	1
	④ Cargador	1
	⑤ Batería	1
	⑥ Caja de plástico	1
G18DL(S) (NN)	Sin cargador, batería, caja de plástico	

Los accesorios estándar están sujetos a cambio sin previo aviso.

APLICACIONES

- Eliminación de rebabas de juntas y acabado de diversos tipos de acero, bronce y aluminio, materiales y fundiciones.
- Alisado de secciones soldadas o secciones cortadas por medio de soldadura.
- Alisado de resina sintética, pizarra, ladrillo, mármol, etc.
- Corte de hormigón sintético, piedra, ladrillos, mármol, y materiales similares.

DESMONTAJE E INSTALACIÓN DE BATERÍA

1. Desmontaje de la batería

Sujete firmemente el asidero y presione el cierre de la batería para desmontar la batería (Ver Fig. 1).

PRECAUCIÓN

No cortocircuitar nunca la batería.

2. Instalación de la batería

Introduzca la batería observando sus polaridades (Ver Fig. 1).

CARGA

Antes de utilizar la amoladora angular a batería, cargue la batería de la siguiente manera.

1. Enchufe el cable de alimentación del cargador a un tomacorriente de CA

Cuando haya conectado el enchufe del cargador a una toma de la red, la lámpara piloto se encenderá en rojo (A intervalos de 1 segundo).

2. Inserte la batería en el cargador.

Introduzca la batería firmemente hasta que entre en contacto con el fondo del compartimiento del cargador.

PRECAUCIÓN

- Si inserta la batería al revés, no sólo será imposible cargarlas, sino que también se podrán producir problemas en el cargador, como la deformación del terminal de recarga.

3. Carga

Cuando inserte una batería en el cargador, la carga comenzará la lámpara piloto permanecerá continuamente encendida en rojo.

Cuando la batería se haya cargado completamente, la lámpara piloto parpadeará en rojo (A intervalos de 1 segundo) (Vea la **Tabla 1**).

(1) Indicaciones de la lámpara piloto

Las indicaciones de la lámpara piloto mostradas en la **Tabla 1**, se producirán de acuerdo con la condición del cargador o de la batería.

Tabla 1

		Indicaciones de la lámpara piloto	
Antes de la carga	Parpadeo (ROJA)	Se encenderá durante 0,5 segundos. No se encenderá durante 0,5 segundos. (Apagada durante 0,5 segundos)	/
Durante la carga	Iluminación (ROJA)	Iluminación permanente	
Carga completa	Parpadeo (ROJA)	Se encenderá durante 0,5 segundos. No se encenderá durante 0,5 segundos. (Apagada durante 0,5 segundos)	
Carga imposible	Parpadeo (ROJA)	Se encenderá durante 0,1 segundos. No se encenderá durante 0,1 segundos. (Apagada durante 0,1 segundos)	Mal funcionamiento de la batería o del cargador.
Espera por recalentamiento	Iluminación (VERDE)	Iluminación permanente	Batería recalentada. No puede cargarse (la carga comenzará cuando la batería se enfríe).

NOTA: Cuando está en espera para que se enfríe la batería, el UC18YRL enfría la batería recalentada mediante un ventilador de refrigeración.

(2) Temperatura de las baterías

La temperatura de las baterías se muestra en la tabla siguiente, y las baterías que se hayan calentado deberán dejarse enfriar durante cierto tiempo antes de cargarlas.

Tabla 2 Márgenes de carga de las baterías

Cargador		UC18YRL
Batería		
Baterías Ni-Cd		-5°C – 55°C
Baterías Ni-MH		-5°C – 50°C
Baterías Li-ion		0°C – 50°C

4. Desenchufe el cable de alimentación del cargador del tomacorriente de CA

5. Sostenga el cargador firmemente y saque la batería

NOTA

Asegúrese de extraer la batería del cargador después del uso, y guárdela después.

PRECAUCIÓN

- Si carga la batería mientras está caliente por haber estado mucho tiempo en un lugar sometido a la luz solar directo, o por haber acabado de utilizarla, es posible que la lámpara piloto del cargador se encienda en verde. En tales casos, deje primero que se enfríe la batería e inicie luego la carga.
- Cuando la lámpara piloto parpadee rápidamente en rojo (a intervalos de 0,2 segundos), realice una comprobación y extraiga los objetos extraños del orificio de instalación de batería del cargador. Si no hay ningún objeto extraño, es posible que la batería o el cargador funcione mal: Llévelos a un agente de servicio técnico autorizado.
- Como el microordenador incorporado tarda unos 3 segundos en confirmar que se ha extraído la batería cargada con el UC18YRL, espere por lo menos 3 segundos antes de volverla a insertar para continuar cargando. Si reinserta la batería antes de 3 segundos, es posible que no se cargue adecuadamente.

Descarga eléctrica en caso de baterías nuevas, etc.

Como la substancia química interna de las baterías nuevas o las que no se hayan utilizado durante mucho tiempo no está activada, la descarga eléctrica puede ser inferior cuando se utilicen por primera y segunda vez. Este fenómeno es temporal, y el tiempo normal requerido para la recarga se restablecerá recargando las baterías 2 – 3 veces.

Forma de hacer que las baterías duren más

- (1) Recargue las baterías antes de que se hayan agotado completamente.
Si siente que la potencia de la herramienta eléctrica se debilita, deje de utilizarla y recargue la batería. Si continuase utilizando la herramienta hasta agotar la capacidad de la batería, ésta podría dañarse y su duración útil podría acortarse.
- (2) Evite realizar la recarga a altas temperaturas.
Una batería se calentará inmediatamente después de haberla utilizado. Si recargase tal batería inmediatamente después de haberla utilizado, su substancia química interna se deterioraría, y la duración útil de la batería se acortaría. Deje la batería y recárguela después de que se haya enfriado durante cierto tiempo.

ANTES DE LA PUESTA EN MARCHA

- 1. Preparación y comprobación de las condiciones ambientales de trabajo**
Asegúrese de que el sitio de trabajo cumpla todas las condiciones indicadas en las precauciones.
- 2. Comprobación de la batería**
Asegúrese de que la batería esté firmemente instalada. Si está floja, puede caerse y provocar accidentes.
- 3. Montar y ajustar la cubierta protectora de muela**
La cubierta protectora de muela es un dispositivo protector para evitar heridas, en caso de que la muela de alisado se quiebre durante la operación. Asegurarse de que la cubierta protectora esté bien montada y apretada antes de comenzar con la operación de alisado. Al soltar un poco el tornillo de ajuste, deja de girar la cubierta protectora de muela, por lo que se podrá poner en cualquier ángulo deseado para una efectividad máxima operacional. Asegurarse de que el tornillo de ajuste esté apretado firmemente después de ajustar la cubierta protectora.
- 4. Asegúrese de que las muelas y las puntas montadas se encuentren instaladas de acuerdo con las instrucciones del fabricante.**
Asegurarse de que la muela de alisado a utilizar sea de tipo correcto y libre de rajadas o defectos de superficie. También asegurarse de que la muela de alisado esté montada debidamente y que la contratuerca de muela esté apretada firmemente. Dirigirse a la sección de "MONTAJE Y DESMONTAJE DE LA MUELA ALISADO".
Asegúrese de que se utilicen discos de papel secante cuando estén provistos con el producto abrasivo ligado, y cuando sean requeridos.
No utilice casquillos reductores ni adaptadores para adaptar las muelas abrasivas de gran orificio.
Para las herramientas que se han de montar con muelas de orificio roscado, asegúrese de que la rosca de la muela sea lo suficientemente larga para poder aceptar el largo del husillo.
No utilice la muela de corte para el rectificado lateral.
- 5. Realizar una prueba**
Asegúrese de que los productos abrasivos estén correctamente montados y apretados antes del uso, y haga funcionar la herramienta sin carga durante 30 segundos en una posición segura. Apáguela inmediatamente si nota una vibración considerable u otros defectos. Si se produce esta condición, inspeccione la herramienta para determinar la causa.
- 6. Confirme el botón**
Confirme que el botón pulsador esté desactivado presionando el botón pulsador dos o tres veces antes de conectar la alimentación de la herramienta eléctrica (vea la Fig. 2).
- 7. Instalación del asidero lateral**
Atornille el asidero lateral en la cubierta de engranaje.

APLICACION PRACTICA DEL ALISADOR

1. Presión

Para prolongar la vida de la máquina y asegurar un acabado de primera clase, es importante que la máquina no sea recalentada aplicando demasiada presión. En la mayoría de las aplicaciones el sólo peso de la máquina, es suficiente para un alisado efectivo. Demasiada presión ocasionaría una reducida velocidad rotacional, inferior acabado de superficie y recalentamiento que reduciría la vida de la máquina.

2. Angulo de alisado

No aplicar toda la superficie de la muela de alisado al material a alisar. Como muestra en **Fig. 1**, la máquina deberá ser mantenida en un ángulo de 15° - 30° de tal manera que el canto externo de la muela de alisado contacte la pieza de trabajo en un ángulo óptimo.

3. Para prevenir que una nueva muela de alisado cave la pieza de trabajo, el alisado inicial debe ser llevado a cabo tirando de la amoladora por encima de la pieza de trabajo hacia el operario (**Fig. 1 dirección B**). Una vez que el canto directriz de la muela de alisado esté bien raspado, el alisado puede ser realizado en cualquier dirección.

4. Precauciones inmediatamente después de haber acabado la operación.

La muela continuará girando después de apagar la herramienta.

Después de desconectar la máquina no posarla antes de que la muela de alisado se haya parado completamente. Aparte de evitar serios accidentes, esta precaución reduciría la cantidad de polvo y limaduras absorbidos por la máquina.

NOTA

○ Para evitar daños, este producto tiene una función que evita la rotación inesperada del motor cuando la batería está introducida. El motor no funcionará si las pilas se introducen cuando el interruptor sigue encendido. Tras instalar las pilas, desconecte el interruptor y vuélvalo a conectar de nuevo.

○ El modelo G18DL(S) está equipado con una función de protección que cerrará la batería en el caso de sobrecarga.

Si la herramienta se cierra debido a una sobrecarga, apáguela y vuelva a encenderla.

Una sobrecarga que detiene el funcionamiento de la herramienta y dura más de 10 segundos no podrá liberarse apagando y abriendo la herramienta. Si ocurre esto, retire la batería de la herramienta y vuelva a instalarla antes de encender el interruptor.

PRECAUCIONES

○ Compruebe que la pieza de trabajo esté correctamente soportada.

○ Cuando trabaje en ambientes polvorientos, asegúrese de que las aberturas de ventilación se mantengan libres de obstrucciones.

Si llegara a ser necesario eliminar el polvo, primero desconecte la herramienta del tomacorriente de la red (use objetos no metálicos) y evite que se dañen las piezas internas.

○ Asegúrese de que las chispas resultantes del uso no representen peligro alguno, por ejemplo, que no alcancen a las personas, ni que incendien sustancias inflamables.

○ Utilice siempre protectores oculares y auriculares. Otros equipos de protección personal, como máscara contra el polvo, guantes, casco y delantal se deben usar según se requiera.

En caso de dudas, utilice el equipo de protección.

○ Cuando no se usa la máquina, debe estar desconectada la batería.

MONTAJE Y DESMONTAJE DE LA MUELA ALISADO (Fig. 2)

PRECAUCION: Asegúrese de desconectar el interruptor y sacar la pila.

1. Montaje (Fig. 2)

(1) Coloque la amoladora angular boca abajo de manera que el eje quede hacia arriba.

(2) Alinee la distancia entre caras de la arandela de rueda con la parte muescada del eje, y luego fíjelas.

(3) Encaje la protuberancia de la muela de alisado en la arandela molar.

(4) Enrosque la tuerca de rueda en el eje.

(5) Mientras empuja el botón pulsador con una mano, bloquee el eje haciendo girar lentamente la rueda de disco bombado con una mano.

Apriete la tuerca de rueda utilizando la llave suministrada, de la manera mostrada en la **Fig. 2**.

2. Desmontaje

Seguir los procedimientos antedichos a la inversa.

PRECAUCIONES

○ Confirme que la muela de alisado esté firmemente montada.

○ Confirmar que el botón esté desactivado presionando el botón dos o tres veces antes de conectar la alimentación de la herramienta eléctrica.

MANTENIMIENTO E INSPECCION

1. Inspeccionar la muela de alisado

Asegurarse de que la muela de alisado esté libre de rajadas y defectos en la superficie.

2. Inspeccionar los tornillos de montaje

Regularmente inspeccionar todos los tornillos de montaje y asegurarse de que estén apretados firmemente. Si cualquier tornillo estuviera suelto, volver a apretarlo inmediatamente. El no hacer esto provocaría un riesgo serio.

3. Mantenimiento de motor

La unidad de bobinado del motor es el verdadero "corazón" de las herramientas eléctricas.

Prestar el mayor cuidado a asegurarse de que el bobinado no se dañe y/o se humedezca con aceite o agua.

4. Inspección de las escobillas de carbón (Fig. 4)

El motor emplea escobillas de carbón que son piezas consumibles. Como una escobilla excesivamente desgastada podría dar problemas al motor, reemplácelas por otras nuevas cuando se hayan desgastado o estén cerca del "límite de desgaste". Además, mantenga siempre limpias las escobillas de carbón y compruebe si se mueven libremente dentro de sus portaescobillas.

NOTA

Cuando reemplace las escobillas de carbón por otras nuevas, utilice escobillas Hitachi con número de código 999054.

5. Reemplazar el carbón de contacto

Extraiga la escobilla de carbón quitando primero la tapa y después enganchando el saliente de la escobilla de carbón con un destornillador de punta plana, etc., como se muestra en la **Fig. 6**.

Cuando instale la escobilla de carbón, elija el sentido en el que la uña de la misma coincida con el tubo exterior de la parte de contacto de dicha escobilla de carbón. Después, empuje la escobilla de carbón con un dedo, como se muestra en la **Fig. 7**. Por último, instale la tapa de la escobilla de carbón.

PRECAUCIÓN

Cerciórese de insertar la uña de la escobilla de carbón en el tubo exterior de la parte de contacto de la misma. (Usted podrá insertar cualquiera de las dos uñas suministradas.)

Tenga cuidado, porque un error en esta operación podría deformar la uña de la escobilla y dañar prematuramente el motor.

6. Limpieza en el exterior

Cuando la amoladora angular a batería esté sucia, límpiela con un trapo seco y suave humedecido con agua con jabón. No utilice disolventes clóricos, gasolina o disolventes para pinturas, ya que éstos funden los materiales plásticos.

7. Almacenamiento

Guarde la amoladora angular a batería en un lugar con una temperatura inferior a 40 °C y fuera del alcance de los niños.

8. Lista de repuestos

- A: N°. ítem
- B: N°. código
- C: N°. usado
- D: Observaciones

PRECAUCIÓN

La reparación, modificación e inspección de las herramientas eléctricas Hitachi deben ser realizadas por un Centro de Servicio Autorizado de Hitachi. Esta lista de repuestos será de utilidad si es presentada junto con la herramienta al Centro de Servicio Autorizado de Hitachi, para solicitar la reparación o cualquier otro tipo de mantenimiento. En el manejo y el mantenimiento de las herramientas eléctricas, se deberán observar las normas y reglamentos vigentes en cada país.

MODIFICACIONES

Hitachi Power Tools introduce constantemente mejoras y modificaciones para incorporar los últimos avances tecnológicos.

Por consiguiente, algunas partes (por ejemplo, números de códigos y/o diseño) pueden ser modificadas sin previo aviso.

desmontar y con el CERTIFICADO DE GARANTÍA que aparece al final de estas instrucciones de uso, al Centro de Servicio Autorizado de Hitachi.

OBSERVACION

Debido al programa continuo de investigación y desarrollo de HITACHI éstas especificaciones están sujetas a cambio sin previo aviso.

Información sobre el ruido propagado por el aire y vibración

Los valores medidos se determinaron de acuerdo con EN60745 declararon de conformidad con ISO 4871.

Nivel de potencia auditiva ponderada A: 85 dB (A)

Nivel de presión auditiva ponderada A: 74 dB (A)

Duda KpA: 3 dB (A)

Utilice protectores para los oídos.

Valores totales de la vibración (suma de vectores triax.) determinados de acuerdo con EN60745.

Pulido de superficies:

Valor de emisión de la vibración **a_h**, **AG** = 9,3 m/s²

Incertidumbre K = 1,5 m/s²

ADVERTENCIA

- El valor de emisión de la vibración durante la utilización de la herramienta eléctrica puede ser diferente del valor declarado dependiendo de las formas de utilización de la herramienta.
- Para identificar las medidas seguras para proteger al operario basadas en una estimación de exposición en las condiciones reales de uso (teniendo en cuenta todas las partes del ciclo de funcionamiento como tiempos cuando la herramienta está apagada y cuando funciona lentamente además del tiempo de activación).

GARANTÍA

Las herramientas motorizadas de Hitachi incluye una garantía conforme al reglamento específico legal/nacional. Esta garantía no cubre los defectos o daños debidos al uso incorrecto, el abuso o el desgaste normal. En caso de reclamación, envíe la herramienta motorizada, sin

AVISOS GERAIS DE SEGURANÇA PARA A FERRAMENTA ELÉCTRICA

⚠ AVISO

Leia todas as instruções e avisos de segurança. Se não seguir todas as instruções e os avisos, pode provocar um choque eléctrico, incêndio e/ou ferimentos graves.

Guarde todos os avisos e instruções para referência futura. O termo “ferramenta eléctrica” em todos os avisos refere-se à sua ferramenta ligada à corrente (com fios) ou à ferramenta eléctrica a baterias (sem fios).

1) Segurança da área de trabalho

- a) Mantenha a área de trabalho limpa e bem iluminada.

As áreas escuras ou cheias de material são propícias aos acidentes.

- b) Não trabalhe com ferramentas eléctricas em ambientes explosivos, tais como na presença de líquidos inflamáveis, gases ou pó.

As ferramentas eléctricas criam faíscas que podem inflamar o pó dos fumos.

- c) Mantenha as crianças e outras pessoas afastadas quando trabalhar com uma ferramenta eléctrica. As distrações podem fazer com que perca controlo.

2) Segurança eléctrica

- a) As fichas da ferramenta eléctrica devem corresponder às tomadas.

Nunca modifique a ficha.

Não utilize fichas adaptadoras com ferramentas eléctricas ligadas à terra.

As fichas não modificadas e tomadas correspondentes reduzirão o risco de choques eléctricos.

- b) Evite contacto corporal com superfícies ligadas à terra, tais como tubos, radiadores, máquinas e frigoríficos.

Existe um risco acrescido de choque eléctrico se o seu corpo estiver ligado à terra.

- c) Não exponha ferramentas eléctricas à chuva ou condições de humidade.

A entrada de água numa ferramenta eléctrica aumentará o risco de choques eléctricos.

- d) Não abuse do fio. Nunca utilize o fio para transportar, puxar ou desligar a ferramenta eléctrica.

Mantenha o fio afastado do calor, óleo, margens afiadas ou peças em movimento.

Os fios danificados ou entrelaçados podem aumentar o risco de choques eléctricos.

- e) Quando trabalhar com uma ferramenta eléctrica no exterior, utilize uma extensão adequada para utilização exterior.

A utilização de um fio adequado para utilização no exterior reduz o risco de choques eléctricos.

- f) Se não for possível evitar a utilização de uma máquina eléctrica num local húmido, utilize uma fonte de alimentação protegida por um dispositivo de corrente residual (RCD).

A utilização de um RCD reduz o risco de choque eléctrico.

3) Segurança pessoal

- a) Mantenha-se alerta, esteja atento ao que está a fazer e utilize senso comum quando trabalhar com uma ferramenta eléctrica.

Não utilize uma ferramenta eléctrica quando estiver cansado ou sob a influência de drogas, álcool ou medicamentos.

Um momento de desatenção enquanto trabalha com ferramentas eléctricas pode resultar em ferimentos pessoais graves.

- b) Utilize equipamento de protecção pessoal. Utilize sempre protecção para os olhos.

O equipamento de protecção, tal como uma máscara de pó, sapatos de segurança antiderrapantes, chapéu rígido ou protecção auricular utilizados para condições adequadas reduzirá os ferimentos pessoais.

- c) Evite ligar por acidente. Certifique-se de que o interruptor está na posição de desligado antes de ligar a fonte de alimentação e/ou bateria, levantar ou transportar a ferramenta.

Transportar ferramentas eléctricas com o dedo no interruptor ou activar ferramentas que estão com o interruptor ligado é propício a acidentes.

- d) Remova qualquer chave de parafusos ou chave-inglesa de regulação antes de ligar a ferramenta. Uma chave-inglesa ou de parafusos ligada à parte rotativa da ferramenta pode provocar ferimentos pessoais.

- e) Não se estique. Mantenha sempre o controlo e equilíbrio adequados.

Isto permite obter um melhor controlo da ferramenta em situações inesperadas.

- f) Use vestuário adequado. Não use roupas largas ou jóias. Mantenha o cabelo, roupas e luvas afastados das peças móveis.

As roupas largas, jóias ou cabelo comprido podem ser apanhados em peças móveis.

- g) Se forem fornecidos dispositivos para a ligação de extractores de pó e dispositivos de recolha, certifique-se de que estes estão ligados e são utilizados adequadamente.

A utilização de uma recolha de pó pode reduzir os perigos relacionados com o pó.

4) Utilização da ferramenta e manutenção

- a) Não force a ferramenta eléctrica. Utilize a ferramenta correcta para a sua aplicação.

A ferramenta correcta fará o trabalho melhor e com mais segurança à velocidade para a qual foi concebida.

- b) Não utilize a ferramenta eléctrica se o interruptor não a ligar ou desligar.

Qualquer ferramenta que não possa ser controlada com o interruptor é perigosa e deve ser reparada.

- c) Desligue a ficha da rede antes e/ou a bateria da ferramenta eléctrica antes de efectuar quaisquer regulações, mudar os acessórios ou guardar ferramentas eléctricas.

Tais medidas de segurança de prevenção reduzem o risco de ligar a ferramenta eléctrica acidentalmente.

- d) Guarde as ferramentas eléctricas fora do alcance de crianças e não permita que pessoas não habituadas à ferramenta eléctrica ou estas instruções trabalhem com a ferramenta.

As ferramentas eléctricas são perigosas nas mãos de utilizadores inexperientes.

- e) Efectue a manutenção de ferramentas eléctricas. Verifique a existência de desalinhamentos ou dobragens das peças móveis, quebras de peças e quaisquer outras condições que possam afectar o funcionamento das ferramentas eléctricas.

Se danificada, mande reparar a ferramenta antes de utilizar.

Muitos acidentes são causados por ferramentas com má manutenção.

f) Mantenha as ferramentas de corte afiadas e limpas.

As ferramentas de corte com uma manutenção adequada e extremidades afiadas são menos propensas a dobrar e mais fáceis de controlar.

g) Utilize a ferramenta eléctrica, acessórios e pontas de ferramentas, etc., de acordo com estas instruções, tomando em consideração as condições de trabalho e o trabalho a ser efectuado.

A utilização de uma ferramenta eléctrica para operações diferentes das concebidas pode resultar num mau funcionamento.

5) Utilização e manutenção da ferramenta com bateria

a) Apenas é recarregável com o carregador especificado pelo fabricante.

Um carregador que seja adequado para um tipo de bateria pode criar um risco de incêndio quando utilizado com outra bateria.

b) Utilize ferramentas eléctricas apenas com as baterias especialmente concebidas.

A utilização de quaisquer outras baterias poderá criar um risco de ferimentos e incêndios.

c) Quando não estiver a ser utilizada uma bateria, mantenha-a afastada de outros objectos metálicos, tais como cliques de papel, moedas, chaves, pregos, parafusos ou outros objectos metálicos pequenos que possam fazer uma ligação de um terminal para o outro.

Fazer curto-circuito dos terminais da bateria poderá causar queimaduras ou um incêndio.

d) Em condições abusivas, poderá ser ejectado líquido da bateria. Evite o contacto. Se ocorrer um contacto acidental, lave com água. Se o líquido entrar em contacto com os olhos, procure ajuda médica.

O líquido ejectado da bateria poderá provocar irritações ou queimaduras.

6) Manutenção

a) Faça a manutenção da sua ferramenta eléctrica por um pessoal de reparação qualificado e utilize apenas peças de substituição idênticas.

Isto garantirá que a segurança da ferramenta eléctrica é mantida.

AVISO

Mantenha afastadas das crianças e pessoas doentes. Quando não estiverem a ser utilizadas, as ferramentas devem ser guardadas fora do alcance de crianças e pessoas doentes.

AVISOS DE SEGURANÇA COMUNS PARA OPERAÇÕES DE REBARBAÇÃO OU CORTE ABRASIVO

a) Esta ferramenta eléctrica foi concebida para funcionar como rebarbadora ou ferramenta de corte. Leia todos os avisos de segurança, instruções, ilustrações e especificações que acompanham esta ferramenta eléctrica.

O não seguimento de todas as instruções apresentadas abaixo pode resultar em choque eléctrico, incêndio e/ou ferimentos graves.

b) Não é recomendada a utilização desta máquina eléctrica para operações como lixagem, limpeza com escova metálica ou polimento.

As operações para as quais a máquina eléctrica não foi concebida podem criar perigo e causar ferimentos.

c) Não utilize acessórios que não sejam especificamente concebidos e recomendados pelo fabricante da ferramenta.

O facto de um acessório se adaptar à ferramenta eléctrica não é garantia de uma operação segura.

d) A velocidade nominal do acessório deve ser, pelo menos, igual à velocidade máxima marcada na ferramenta eléctrica.

A utilização dos acessórios a velocidades mais rápidas que a sua velocidade nominal pode fazer com que estes partam e sejam projectados.

e) O diâmetro exterior e a espessura do acessório devem estar dentro da capacidade nominal da ferramenta eléctrica.

Os acessórios de tamanho incorrecto não podem ser devidamente protegidos ou controlados.

f) O tamanho do eixo de discos, frisos, discos de respaldo, ou de qualquer outro acessório, deve encaixar devidamente no eixo da ferramenta eléctrica.

Os acessórios com orifícios de eixo que não encaixem no hardware de montagem da ferramenta eléctrica irão causar desequilíbrio, vibrar excessivamente e podem levar à perda de controlo.

g) Não utilize um acessório danificado. Antes de cada utilização, proceda à inspeção de acessórios, como discos abrasivos relativamente a lascas e fissuras, disco de respaldo em relação a fissuras, desgaste ou utilização excessiva, escova metálica em termos de fios soltos ou partidos. Caso deixe cair a ferramenta eléctrica ou um acessório, proceda à inspeção relativamente a danos ou à instalação de um acessório não danificado. Após a inspeção e instalação de um acessório, mantenha-se afastado do plano do acessório rotativo e coloque a ferramenta eléctrica a trabalhar à velocidade máxima sem carga, durante um minuto.

Normalmente, os acessórios danificados partem-se no decorrer deste teste.

h) Use equipamento de protecção pessoal. Consoante a aplicação, use protecção facial, luvas ou óculos de segurança. Conforme apropriado, use uma máscara de pó, protectores auriculares, luvas e avental de protecção, capaz de proteger contra pequenos fragmentos abrasivos ou peças.

A protecção para os olhos deve conseguir reter fragmentos projectados, gerados por diversas operações. A máscara de pó ou respirador devem ser capazes de filtrar partículas geradas durante a operação. A exposição prolongada a ruídos de grande intensidade pode causar perda de audição.

i) As pessoas que se encontrem por perto devem ser mantidas a uma distância de segurança. Qualquer pessoa que entre na área de trabalho deve usar equipamento de protecção pessoal.

Fragmentos de peças ou de acessórios partidos podem ser projectados e causar ferimentos além da área imediata de operação.

j) Agarre a ferramenta eléctrica somente pelas superfícies isoladas ao realizar uma operação em que o acessório de corte possa conter fios ocultos ou o seu próprio cabo.

O acessório de corte, em contacto com um fio com corrente, pode passar corrente para as partes metálicas expostas da ferramenta eléctrica e dar choque ao operador.

- k) **Coloque o cabo afastado do acessório rotativo.**
Caso perca o controlo, o cabo pode ser cortado ou puxado e a sua mão ou braço podem ser puxados para o acessório rotativo.
- l) **Nunca pouse a ferramenta de corte até que o acessório esteja completamente imobilizado.**
O acessório rotativo pode agarrar a superfície e puxar a ferramenta eléctrica para fora do seu controlo.
- m) **Não coloque a ferramenta eléctrica em funcionamento enquanto a transporta ao seu lado.**
O contacto acidental com o acessório rotativo pode agarrar a sua roupa, puxando o acessório para o seu corpo.
- n) **Limpe regularmente os respiradouros da ferramenta eléctrica.**

A ventoinha do motor irá sugar o pó para dentro do alojamento e a acumulação excessiva de metal em pó pode causar perigo eléctrico.

- o) **Não opere a ferramenta eléctrica perto de materiais inflamáveis.**
As faíscas podem acender esses materiais.
- p) **Não utilize acessórios que requeiram líquidos de refrigeração.**
A utilização de água ou de outros líquidos de refrigeração pode causar electrocussão ou choque.

REACÇÃO ENERGÉTICA E AVISOS RELACIONADOS

A reacção energética é uma reacção repentina a um disco rotativo, disco de respaldo, escova ou qualquer outro acessório que seja apertado ou puxado. A acção de apertar ou puxar causa um rápido retardamento do acessório rotativo, o que, por sua vez, faz com que a ferramenta eléctrica não controlada seja forçada na direcção oposta da rotação do acessório no ponto de ligação.

Por exemplo, se um disco abrasivo for puxado ou apertado pela peça a ser trabalhada, o limite do disco que entra no ponto de aperto pode penetrar na superfície do material, fazendo com que o disco caia ou seja expelido. Consoante a direcção do movimento do disco no ponto de aperto, este pode ser projectado em direcção ao operador ou para longe dele. Os discos abrasivos podem também partir sob estas condições.

A reacção energética é o resultado da má utilização da ferramenta eléctrica e/ou de procedimentos ou condições de operação incorrectos, podendo ser evitada se forem tomadas as devidas precauções, conforme descritas abaixo.

- a) **Segure bem a ferramenta eléctrica e posicione o seu corpo e braço de forma que permita resistir a forças de reacção energética.** Use sempre a pega auxiliar, se fornecida, para o máximo controlo de reacções energéticas ou de torção durante o início da operação.
Caso sejam tomadas as devidas precauções, é possível ao operador controlar as reacções de torção ou as forças energéticas.

- b) **Nunca colocar a mão perto do acessório rotativo.**
O acessório pode ter uma reacção energética para a sua mão.
- c) **Não posicione o corpo na área onde a ferramenta eléctrica se irá movimentar na eventualidade de reacção energética.**
A reacção energética irá propelir a ferramenta na direcção oposta ao movimento do disco no ponto de aperto.
- d) **Tenha cuidados dobrados ao trabalhar cantos, margens afiadas, etc. Evite oscilar ou apertar o acessório.**
Cantos, margens afiadas ou oscilação têm tendência a apertar o acessório rotativo e causar perda de controlo ou reacção energética.
- e) **Não utilize uma lâmina de entalhe ou lâmina dentada para serra.**
Tais lâminas criam, frequentemente, reacções energéticas e perda de controlo.

AVISOS DE SEGURANÇA ESPECÍFICOS PARA OPERAÇÕES DE REBARBAÇÃO E CORTE ABRASIVO

- a) **Use somente tipos de disco recomendados para a ferramenta eléctrica e a protecção específica concebida para o disco seleccionado.**
Os discos para os quais a ferramenta eléctrica não foi concebida não poderão ser adequadamente protegidos e não são seguros.
- b) **A protecção deve ser anexada à ferramenta eléctrica de forma segura e posicionada para máxima segurança, para que a porção de disco exposta em direcção ao operador seja a menor possível.**
A protecção ajuda a proteger o operador de fragmentos de disco partidos e de contacto com o disco.
- c) **Os discos devem ser utilizados somente para as aplicações recomendadas. Por exemplo: não rebarbe com o lado do disco de corte.**
Os discos de corte abrasivo são concebidos para rebarbação periférica, as forças laterais aplicadas a estes discos podem fazê-los partir.
- d) **Utilize sempre frisos de disco não danificados, de tamanho e forma apropriados para o disco seleccionado.**
Frisos de disco adequados suportam o disco, reduzindo assim a possibilidade deste partir. Os frisos para discos de corte podem ser diferentes daqueles para discos de rebarbação.
- e) **Não utilize discos gastos de ferramentas eléctricas maiores.**
Os discos concebidos para ferramentas eléctricas maiores não são adequados para a maior velocidade de uma ferramenta mais pequena e podem rebentar.

AVISOS DE SEGURANÇA ADICIONAIS, ESPECÍFICOS PARA OPERAÇÕES DE CORTE ABRASIVO

- a) **Não "obstrua" o disco de corte ou aplique pressão em excesso. Não tente fazer um corte demasiadamente profundo.**

O excesso de pressão no disco aumenta a carga e a susceptibilidade para torção e emperramento do disco, e a possibilidade de reacção energética ou quebra do disco.

b) Não posicione o seu corpo alinhado com e atrás da roda rotativa.

Quando o disco, no ponto de operação, está a mover-se para longe do seu corpo, a reacção energética possível pode projectar o disco rotativo e a ferramenta eléctrica directamente na sua direcção.

c) Quando o disco está a emperrar ou quando interrompe um corte por qualquer motivo, desligue a ferramenta eléctrica e não a movimente até que o disco fique completamente imóvel. Nunca tente retirar o disco do corte enquanto estiver em movimento, pois pode dar-se uma reacção energética.

Investigue e adopte uma acção correctiva para eliminar a causa do emperramento do disco.

d) Não retome a operação de corte na peça. Permita que o disco alcance a velocidade máxima e retome o corte cuidadosamente.

Caso a ferramenta eléctrica seja reiniciada na peça, o disco pode emperrar, subir ou causar reacção energética.

INSTRUÇÕES DE SEGURANÇA GERAIS PARA REBARBADORA A BATERIA

- Verifique se a velocidade marcada no disco é igual ou superior à velocidade nominal da rectificadora;
- Certifique-se de que as dimensões do disco são compatíveis com a rectificadora;
- Os discos abrasivos devem ser guardadas e manuseadas com cuidado, de acordo com as instruções do fabricante;
- Inspeccione o disco rectificador antes de utilizar, não utilize produtos lascados, rachados ou defeituosos;
- Certifique-se de que os discos e pontos são instalados de acordo com as instruções do fabricante;
- Certifique-se de que são utilizados mata-borrões quando forem fornecidos com o produto soldado abrasivo e quando forem necessários;
- Certifique-se de o produto abrasivo está correctamente instalado e apertado antes de utilizar e coloque a ferramenta a funcionar sem carga durante 30s numa posição segura e pare imediatamente se existirem vibrações consideráveis ou se forem detectados outros detectores. Se esta condição ocorrer, verifique a máquina para determinar a causa;
- Se a ferramenta for instalada com uma protecção, nunca utilize a ferramenta sem uma protecção;
- Não utilize casquilhos ou adaptadores de redução para adaptar a discos abrasivos com orifícios de grandes dimensões;
- Para as ferramentas que se destinem a serem utilizadas com um orifício roscado, certifique-se de que a rosca no disco é suficientemente comprida para aceitar o comprimento do veio;
- Verifique se a peça de trabalho está correctamente apoiada;

- Não utilize uma roda de corte para rectificação lateral;
- Certifique-se de que as faíscas resultantes da utilização não constituem um perigo, por exemplo, não atingem pessoas ou inflamam substâncias inflamáveis.
- Certifique-se de que as aberturas de ventilação estão desobstruídas em situações de muito pó, caso seja necessário limpar o pó, desligue primeiro a ferramenta da fonte de alimentação (utilize objectos não metálicos) e evite danificar as peças internas;
- Utilize sempre protecção para os olhos e ouvidos. Deve ser usado outros equipamentos de protecção, tais como máscaras para pó, luvas, capacetes e aventais;
- Tome atenção ao disco que continua a rodar após a ferramenta ter sido desligada.
- Recarregue sempre a bateria numa temperatura entre 0° e 40°C.

Uma temperatura de menos de 0°C provocará uma recarga excessiva, o que é perigoso. Enquanto que numa temperatura acima de 40°C, a bateria não pode ser recarregada.

A temperatura mais apropriada para a recarga é entre 20° e 25°C.

- O recarregador não deve ser usado continuamente. Quando terminar um recarregamento, libere o recarregador por cerca de 15 minutos antes da próxima recarga da bateria.
- Não deixe que materiais estranhos entrem no orifício de conexão da bateria recarregável.
- Não desmonte nunca a bateria recarregável nem o recarregador.
- Nunca provoque curto-circuito na bateria recarregável.
Ao fazer isso, a bateria provocará uma grande corrente eléctrica e um sobreaquecimento., podendo resultar em queima ou danos à bateria.
- Não jogue a bateria no fogo. Queimando-se, ela pode explodir.
- Não insira nenhum objeto nas aberturas de ventilação do recarregador.
A inserção de objetos metálicos ou inflamáveis nas aberturas de ventilação do recarregador pode causar choques eléctricos ou danificar o recarregador.
- Leve a bateria à loja onde você a comprou assim que a vida útil da bateria após a recarga começar a ficar muito curta para uso prático. Não descarte a bateria velha.
- O uso de uma bateria velha pode danificar o recarregador.

PRECAUÇÕES PARA A BATERIA DE IÕES DE LÍTIU

Para aumentar a vida útil, a bateria de iões de lítio está equipada com uma função de protecção para impedir a transmissão de corrente.

Nos casos 1 e 2 descritos em baixo, quando utilizar este produto, mesmo que esteja a premir o botão, o motor poderá parar. Isto não constitui uma avaria, sendo o resultado da função de protecção.

1. Quando a carga restante da bateria se esgotar, o motor pára.
Nesse caso, carregue-a imediatamente.

- Se a ferramenta estiver sobrecarregada, o motor poderá parar. Nesse caso, solte o botão da ferramenta e elimine as causas da sobrecarga. De seguida, pode voltar a utilizá-la.

Além disso, tenha em consideração os seguintes avisos e precauções.

AVISO

Para evitar antecipadamente qualquer fuga na bateria, produção de calor, emissão de fumo, explosão e ignição, certifique-se de que toma as seguintes precauções.

- Certifique-se de que limalhas e pó não se acumulam na bateria.
 - Durante o trabalho, certifique-se de que limalhas e pó não caem na bateria.
 - Certifique-se de que qualquer limalha e pó que caia na ferramenta durante os trabalhos não se acumulam na bateria.
 - Não guarde uma bateria não utilizada num local exposto a limalhas e ao pó.
 - Antes de guardar uma bateria, remova quaisquer limalhas e pó que possam existir na mesma e não a guarde com peças metálicas (parafusos, pregos, etc.).
- Não perfure a bateria com objectos afiados como pregos, não lhe bata com um martelo, e não pise, arremesse, nem submeta a bateria a impactos físicos severos.
- Não utilize uma bateria que pareça estar danificada ou deformada.
- Não utilize a bateria com a polaridade invertida.
- Não a ligue directamente a quaisquer tomadas eléctricas ou tomadas de isqueiro de automóvel.
- Não utilize a bateria para fins que não os especificados.
- Se a bateria não carregar completamente mesmo após ter passado o tempo de recarga especificado, pare imediatamente de a recarregar.

- Não coloque nem submeta a bateria a temperaturas elevadas ou a alta pressão, como as de um forno microondas, secador, ou recipiente de alta pressão.
- Afaste-a imediatamente do fogo quando fugas ou maus odores forem detectados.
- Não utilizar em locais onde seja produzida uma forte electricidade estática.
- Se a bateria apresentar fugas, maus odores, produção de calor, descoloração ou deformações, ou parecer funcionar de forma anormal durante a utilização, recarga ou armazenamento, remova-a imediatamente do equipamento ou do carregador de baterias e pare de a utilizar.

CUIDADO

- Se o líquido vertido pela bateria entrar nos seus olhos, não os esfregue e lave-os bem com água fresca e limpa como água da torneira e contacte imediatamente um médico.
Se não for tratado, o líquido pode provocar problemas nos olhos.
- Se o líquido verter para a sua pele ou roupa, lave-as imediatamente com água limpa como água da torneira.
Existe a possibilidade do líquido provocar irritação cutânea.
- Se se deparar com ferrugem, maus odores, sobreaquecimento, descoloração, deformações e/ou outras irregularidades ao utilizar a bateria pela primeira vez, pare de utilizá-la e devolva-a ao seu fornecedor ou vendedor.

ESPECIFICAÇÕES

Rebarbadora a bateria

Modelo		G18DL(S)
Tensão		18V
Velocidade sem carga		9100 min ⁻¹
Esmeril	Diâmetro externo x diâmetro do furo	125 × 22 mm
	Velocidade periférica	80 m/s
Bateria recarregável	3,0 Ah	EBM1830: Li-ion (10 células)
Peso		1,9 Kg

Carregador

Modelo		UC18YRL
Tensão de carga		7,2 – 18 V
Tempo de carga	2,0 Ah : Ni-Cd	30 min.
	2,6 Ah : Ni-MH	40 min.
	3,0 Ah : Ni-MH	45 min.
	3,3 Ah : Ni-MH	50 min.
	3,0 Ah : Li-ion	45 min.
Peso		0,6 kg

O tempo de carregamento é aproximado. O tempo de carregamento real pode variar.

ACESSÓRIOS PADRÃO

G18DL(S) (2MRK)	① Esmeril	1
	② Chave inglesa	1
	③ Empunhadadeira lateral	1
	④ Recarregador	1
	⑤ Bateria	2
	⑥ Estojo de plástico	1
G18DL(S) (MRK)	① Esmeril	1
	② Chave inglesa	1
	③ Empunhadadeira lateral	1
	④ Recarregador	1
	⑤ Bateria	1
	⑥ Estojo de plástico	1
G18DL(S) (NN)	Sem Recarregador, Bateria, Estojo de plástico	

Os acessórios-padrão estão sujeitos a mudanças sem aviso prévio.

APLICAÇÕES

- Tira rebarbas de fundição e faz acabamento de vários tipos de aço, bronze e alumínio e obras de fundição.
- Retifica partes soldadas ou seções cortadas por meio de um maçarico de recorte.
- Retifica resinas sintéticas, ardósia, tijolo, mármore, etc.
- Para cortar concreto sintético, pedra, tijolo, mármore ou materiais similares.

RETIRADA/INSTALAÇÃO DA BATERIA

1. Retirada da bateria

Segure bem a pega e empurre a lingueta da bateria para remover a bateria (Consulte a Fig. 1).

Quadro 1

Indicações das lâmpadas			
Antes da recarga	Pisca (VERMELHO)	Acende-se por 0,5 segundo. Não se acende por 0,5 segundo. (desliga-se por 0,5 segundo)	/
Durante a recarga	Acende (VERMELHO)	Fica continuamente acesa	
Recarga completa	Pisca (VERMELHO)	Acende-se por 0,5 segundo. Não se acende por 0,5 segundo. (desliga-se por 0,5 segundo)	
Recarga impossível	Pisca (VERMELHO)	Acende-se por 0,1 segundo. Não se acende por 0,1 segundo. (desliga-se por 0,1 segundo)	Defeito na bateria ou no carregador.
Standby em caso de sobreaquecimento	Acende (VERDE)	Fica continuamente acesa	Bateria sobreaquecida. Não é possível carregar (a carga inicia quando a bateria arrefecer).

NOTA: Quando se encontra em standby para arrefecimento da bateria, o UC18YRL arrefece a bateria sobreaquecida através da ventoinha.

CUIDADO

Não provoque nunca curto-circuito na bateria.

2. Instalação da bateria

Introduza a bateria tomando atenção às polaridades (consulte a Fig. 1).

RECARGA

Antes de utilizar a amoladora angular a bateria, carregue a bateria da seguinte forma.

1. Ligue o cabo elétrico do recarregador numa tomada de corrente alternada

Quando estiver conectado, a lâmpada piloto do recarregador vai piscar em vermelho (Em intervalos de 1 segundo).

2. Insira a bateria no recarregador

Introduza firmemente a bateria, até que entre em contacto com o fundo do compartimento das baterias.

CUIDADO

- Se a bateria for inserida na direção inversa, não somente será impossível recarregá-la como também pode causar problemas no carregador como, por exemplo, deformação no terminal de recarga.

3. Recarga

A recarga se inicia ao inserir a bateria no recarregador e a lâmpada piloto se acenderá continuamente em vermelho.

Quando a bateria ficar completamente recarregada, a lâmpada piloto vai piscar em vermelho (Em intervalos de 1 segundo) (Veja Quadro 1).

(1) Indicação da lâmpada piloto

As indicações da lâmpada piloto serão como as mostradas na Quadro 1, de acordo com a condição do recarregador ou da bateria recarregável.

- (2) Quanto a temperaturas da bateria recarregável
As temperaturas das baterias recarregáveis são as mostradas no quadro abaixo. As baterias que se aqueceram devem ser esfriadas por um tempo antes de serem recarregadas.

Quadro 2 Limites para recarga de baterias

Recarregador Baterias recarregáveis	UC18YRL
Baterias Ni-Cd	-5°C – 55°C
Baterias Ni-MH	-5°C – 50°C
Baterias Li-ion	0°C – 50°C

4. **Desconecte da tomada o cabo de energia do recarregador**
5. **Segure o recarregador firmemente e puxe a bateria para fora**

NOTA

Não esqueça de retirar a bateria do recarregador depois da utilização, e de guardá-la de forma correta.

CUIDADO

- Se a bateria for carregada enquanto estiver quente por ter permanecido por um longo tempo em local sujeito à luz direta do sol, ou porque acabou de ser usada, a lâmpada-piloto do carregador se acende no verde. Nesse caso, primeiro deixe a bateria esfriar para depois iniciar a recarga.
- Quando a lâmpada piloto piscar em vermelho rapidamente (em intervalos de 0,2 segundo), verifique se existe algum objeto estranho no orifício de instalação do recarregador da bateria. Caso exista, retire-o de lá imediatamente. Se não houver nenhum objeto estranho, é provável que a bateria ou o recarregador estejam com defeito. Leve ambos até o serviço autorizado.
- Uma vez que o micro-computador integrado demora cerca de 3 segundos a confirmar que a bateria está a ser carregada com UC18YRL está retirada, aguarde pelo menos 3 segundos antes de voltar a inseri-la para continuar a carga. Se a bateria for novamente inserida dentro de 3 segundos, a bateria poderá não ser correctamente carregada.

Quanto à descarga elétrica no caso de novas baterias, etc.

Como a substância química interna das novas baterias e daquelas que não foram usadas por um prolongado período não está ativada, pode haver uma pequena descarga elétrica ao usá-las pela primeira e segunda vez. Este fenómeno é temporário e o tempo normal requerido para a recarga será restabelecido depois da recarregar a bateria umas duas ou três vezes.

Como prolongar a vida útil das baterias

- (1) Recarregue as baterias antes que elas se descarreguem completamente.
Quando sentir que a potência da ferramenta enfraquece, pare de usá-la e recarregue a bateria. Se continuar a usar a ferramenta e descarregar a corrente elétrica, a bateria pode se danificar e sua vida útil ficará menor.

- (2) Evite fazer a recarga em altas temperaturas.
Um bateria recarregável se aquece imediatamente depois do uso. Se ela for recarregada imediatamente depois de ter sido usada, sua substância química interna pode deteriorar e sua vida útil pode diminuir. Deixe a bateria descansar e recarregue-a somente depois que ela tiver esfriado por algum tempo.

ANTES DA OPERAÇÃO

1. **Preparação e verificação do ambiente de trabalho**
Certifique-se de que o local de trabalho possui todas as condições estabelecidas adiante nas precauções.
2. **Verificação da bateria**
Certifique-se de que a bateria está firmemente instalada. Caso ela não esteja, pode sair para fora e provocar um acidente.
3. **Colocação e ajuste da proteção de roda**
A proteção de roda é um dispositivo para evitar ferimentos caso o esmeril quebre durante a operação. Certifique-se de que o protetor está colocado e preso corretamente antes de começar a operação de esmerilhamento. Ao desapertar ligeiramente o parafuso de ajuste, a proteção de roda pode ser girada e posta em qualquer ângulo desejado para uma máxima eficácia operacional. Não deixe de verificar se o parafuso de ajuste está firmemente apertado depois de ajustar a proteção de roda.
4. **Assegure-se de que os discos montados e os pontos estão ajustados de acordo com as instruções do fabricante.**
Certifique-se de que o esmeril a ser utilizado é do tipo certo, livre de fissuras ou defeitos na superfície. Não esqueça também de verificar se o esmeril está montado corretamente e se a arruela de roda está bem apertada. Consulte a seção "MONTAGEM E DESMONTAGEM DO ESMERIL CENTRAL".
Quando forem fornecidas costaneiras junto com o produto abrasivo — e se forem necessárias — assegure-se de que estão sendo usadas.
Não utilize adaptadores ou bocais redutores separados para diminuir um orifício grande do esmeril.
Em caso de ferramentas que devem ser ajustadas a discos que possuem orifícios rosqueados, certifique-se de que a rosca do disco é comprida o suficiente em relação ao comprimento do eixo. Não utilize discos de corte para esmerilhamento lateral.
5. **Teste de funcionamento**
Certifique-se de que o produto abrasivo está montado de maneira correta e apertado antes de ser utilizado. Coloque em funcionamento a ferramenta sem carga por 30 segundos numa posição segura e, se houver vibração considerável ou se forem detectados outros defeitos, desligue-a imediatamente.
Caso isto ocorra, cheque a máquina para determinar a causa do defeito.
6. **Verifique o botão de pressão**
Confirme que o botão de pressão está desengatado apertando-o duas ou três vezes antes de ligar a ferramenta (veja Fig. 2).

7. Para prender a empunhadora lateral

Aparafuse a empunhadora lateral na tampa do equipamento.

APLICAÇÃO PRÁTICA DA REBARBADORA**1. Pressão**

Para prolongar a vida útil da máquina e garantir um acabamento de primeira, é importante que ela não seja sobrecarregada pela aplicação de demasiada pressão. Na maior parte das aplicações, apenas o peso da máquina é suficiente para um esmerilhamento eficaz. Uma pressão demasiada pode resultar numa velocidade de rotação reduzida, um acabamento inferior da superfície e a sobrecarga que pode reduzir a vida útil da máquina.

2. Ângulo do esmerilhamento

Não aplique a superfície inteira do esmeril no material a ser esmerilhado. Conforme mostra a **Fig. 1**, a máquina deve ser mantida num ângulo de 15°–30° de maneira que a borda externa do esmeril entre em contato com o material num ângulo ideal.

3. Para evitar que um novo esmeril abra um buraco na peça que está sendo trabalhada, o esmerilhamento inicial deve ser feito puxando a rebarbadora por sobre a peça em direção ao operador (**Fig. 1, direção B**). Uma vez que a borda de entrada do esmeril estiver limada corretamente, o esmerilhamento pode ser feito numa ou noutra direção.

4. Precauções a serem tomadas imediatamente depois de terminar a operação

O disco continua a girar depois que a ferramenta é desligada.

Logo após desligar a máquina, continue segurando-a, sem apoiá-la, até que o esmeril pare completamente de funcionar. Além de evitar graves acidentes, esta precaução reduzirá a quantidade de poeira e de limalhas de ferro aspiradas pela máquina.

NOTA

○ Para evitar ferimentos, este produto possui uma função que evita a rotação inesperada do motor quando a bateria estiver inserida. O motor não funcionará se a bateria for inserida enquanto o interruptor estiver acionado. Após instalar a bateria, desligue o interruptor e volte a ligá-lo.

○ O modelo G18DL(S) está equipado com uma função de proteção que desligará a ferramenta em caso de sobrecarga.

Se a ferramenta desligar devido a uma sobrecarga, desligue e volte a ligar a alimentação.

Uma sobrecarga que pare a ferramenta e dure mais de 10 segundos poderá não ser desbloqueada desligando e voltando a ligar a alimentação. Se isto acontecer, retire a bateria da ferramenta e volte a colocá-la, antes de ligar no respectivo interruptor.

CUIDADOS

○ Verifique se a peça a ser trabalhada está apoiada corretamente.

○ Assegure-se de que as aberturas de ventilação são mantidas limpas ao trabalhar em condições de poeira.

Caso seja necessário limpar a poeira, desconecte primeiro a ferramenta da rede elétrica (use objetos não metálicos) e evite danificar as peças internas.

○ Certifique-se de que as faíscas resultantes do uso não provoquem perigo, não atingindo, por exemplo, pessoas ou substâncias inflamáveis.

○ Utilize sempre óculos de proteção e tampões de ouvido.

Outros equipamentos pessoais de proteção como máscara contra poeira, luvas, capacete e avental devem ser usados quando necessário.

Em caso de dúvida, use equipamento de proteção.

○ Quando a máquina não estiver sendo usada, a bateria deve ser desligada.

MONTAGEM E DESMONTAGEM DO ESMERIL CENTRAL (Fig. 2)

CUIDADO: Certifique-se que desligou o interruptor e retirou a bateria.

1. Montagem (Fig. 2)

(1) Gire a rebarbadora de cabeça para baixo de maneira que o eixo fique virado para cima.

(2) Alinhe as reentrâncias transversais da porca de roda com a parte dentada do eixo, prendendo-os depois.

(3) Ajuste a protuberância do esmeril na porca de roda.

(4) Aparafuse a arruela de roda no eixo.

(5) Ao mesmo tempo em que aperta o botão de pressão com uma mão, com a outra, gire lentamente o esmeril para fixar o eixo.

Aperte bem a arruela de roda usando a chave fornecida, como mostra a **Fig. 2**.

2. Desmontagem

Siga os procedimentos acima fazendo as operações ao contrário.

CUIDADOS

○ Verifique se o esmeril está montado firmemente.

○ Verifique se o botão de pressão está desengatado apertando o botão de pressão duas ou três vezes antes de ligar a ferramenta elétrica.

MANUTENÇÃO E INSPEÇÃO**1. Inspeção do esmeril**

Certifique-se de que o esmeril está livre de fissuras e defeitos na superfície.

2. Inspeção dos parafusos de montagem

Inspeccione regularmente todos os parafusos de montagem e se certifique de que estão corretamente apertados. Se algum deles estiver frouxo, reaperte-o imediatamente. Caso isso não seja feito, pode resultar em perigo grave.

3. Manutenção do motor

O enrolamento do motor do aparelho é o “coração” da ferramenta elétrica.

Tome o devido cuidado para assegurar que o enrolamento não se danifique e/ou fique molhado com óleo ou água.

4. Inspeção das escovas de carvão (Fig. 4)

O motor emprega escovas de carvão que são peças de consumo. Escovas de carvão excessivamente gastas podem causar problemas no motor, portanto substitua-as por novas quando elas se tornarem gastas ou quase “no limite de uso”. Além disso, sempre mantenha as escovas de carvão limpas e se certifique que elas deslizam livremente nos suportes de escova.

NOTA

Ao substituir uma escova de carvão por uma nova, certifique-se de que está usando a Escova de Carvão da Hitachi Código N° 999054.

5. Troca das escovas de carvão

Retire a escova de carbono, primeiro removendo a tampa da escova e engatando a saliência da escova de carbono com uma chave de parafusos de cabeça fendida, etc., tal como indicado na **Fig. 6**.

Quando instalar a escova de carbono, escolha a direcção para que o prego da escova de carbono esteja de acordo com a parte de contacto fora do tubo da escova. De seguida, empurre-o para dentro com um dedo, tal como ilustrado na **Fig. 7**. Por fim, instale a tampa da escova.

CUIDADO

Esteja absolutamente seguro de que inseriu o prego da escova de carvão na parte de contacto fora do tubo da escova. (Pode-se inserir qualquer um dos dois pregos fornecidos.)

Deve-se ter cuidado porque qualquer erro nesta operação pode resultar num prego deformado da escova de carvão e causar problemas no motor num estágio inicial.

6. Limpeza externa

Quando a amoladora angular a bateria estiver suja, limpe-a com um pano macio seco ou um pano humedecido com água com sabão. Não utilize solventes clóricos, gasolina ou diluente, uma vez que derretem plásticos.

7. Armazenagem

Guarde a amoladora angular a bateria num local em que a temperatura seja inferior a 40°C e fora do alcance das crianças.

8. Lista de peças para conserto

- A: Item N°
- B: Código N°
- C: N° Usado
- D: Observações

CUIDADO

Consertos, modificações e inspeção de Ferramentas Eléctricas da Hitachi devem ser realizados por uma Oficina Autorizada da Hitachi.

Esta lista de peças pode ser útil se apresentada com a ferramenta na Oficina Autorizada da Hitachi ao solicitar conserto ou manutenção.

Na operação e na manutenção das ferramentas eléctricas, devem-se observar as normas de segurança e os padrões prescritos por cada país.

MODIFICAÇÃO

As Ferramentas Eléctricas da Hitachi estão sempre sendo aperfeiçoadas e modificadas para incorporar os mais recentes avanços tecnológicos.

Dessa forma, algumas peças (isto é, números de código e/ou design) podem mudar sem aviso prévio.

GARANTIA

Garantimos que a Hitachi Power Tools obedece às respectivas normas específicas estatutárias/de país. Esta garantia não cobre avarias ou danos derivados de má utilização, abuso ou desgaste normal. Em caso de queixa, envie a Ferramenta, não desmontada, juntamente com o CERTIFICADO DE GARANTIA que se encontra no fundo destas instruções de utilização, para um Centro de Serviço Autorizado Hitachi.

NOTA

Devido ao contínuo programa de pesquisa e desenvolvimento da HITACHI, as especificações aqui contidas estão sujeitas a mudanças sem aviso prévio.

Informação a respeito de ruídos e vibração do ar

Os valores medidos foram determinados de acordo com a EN60745 e declarados em conformidade com a ISO 4871.

Nível de potência sonora ponderada A medida: 85 dB (A)

Nível de pressão sonora ponderada A medida: 74 dB (A)

Imprecisão KpA: 3 dB (A)

Use protetores de ouvido.

Os valores totais da vibração (soma do vector triax) são determinados de acordo com a norma EN60745.

Rectificação de superfícies:

Valor de emissão de vibrações **a_h**, **AG** = 9,3 m/s²

Incerteza de K = 1,5 m/s²

AVISO

- O valor de emissão de vibrações durante a utilização da ferramenta eléctrica pode ser diferente do valor declarado, consoante as formas de utilização da ferramenta.
- Para identificar as medidas de segurança para proteger o operador, que são baseadas numa estimativa de exposição nas actuais condições de utilização (tendo em conta todas as partes do ciclo de funcionamento, tais como os tempos em que a ferramenta é desligada e quando está a funcionar ao ralenti, além do tempo de accionamento do gatilho).

ΓΕΝΙΚΕΣ ΠΡΟΕΙΔΟΠΟΙΗΣΕΙΣ ΑΣΦΑΛΕΙΑΣ ΗΛΕΚΤΡΙΚΟΥ ΕΡΓΑΛΕΙΟΥ

⚠ ΠΡΟΣΟΧΗ

Διαβάξτε όλες τις προειδοποιήσεις ασφαλείας και όλες τις οδηγίες.

Η μη τήρηση των προειδοποιήσεων και οδηγιών μπορεί να προκαλέσει ηλεκτροπληξία, πυρκαγιά και/ή σοβαρό τραυματισμό.

Φυλάξτε όλες τις προειδοποιήσεις και τις οδηγίες για μελλοντική αναφορά.

Ο όρος "ηλεκτρικό εργαλείο" στις προειδοποιήσεις αναφέρεται στο ηλεκτρικό εργαλείο (με καλώδιο) που λειτουργεί στους αγωγούς ή στο ηλεκτρικό εργαλείο που λειτουργεί στη μπαταρία (χωρίς καλώδιο).

1) Ασφάλεια χώρου εργασίας

a) Διατηρείτε το χώρο εργασίας καθαρό και καλά φωτισμένο.

Σε ακατάστατες ή σκοτεινές περιοχές μπορεί να προκληθούν ατυχήματα.

b) Μην χρησιμοποιείτε τα ηλεκτρικά εργαλεία σε περιβάλλον, στο οποίο μπορεί να προκληθεί έκρηξη, όπως παρουσία εύφλεκτων υγρών, αερίων ή σκόνης. Τα ηλεκτρικά εργαλεία δημιουργούν σπινθήρες, οι οποίοι μπορεί να αναφλέξουν τη σκόνη ή τον καπνό.

c) Κρατήστε τα παιδιά και τους παρευρισκόμενους μακριά όταν χρησιμοποιείτε ένα ηλεκτρικό εργαλείο. Αν αποσπαστεί η προσοχή σας, υπάρχει κίνδυνος να χάσετε τον έλεγχο.

2) Ηλεκτρική ασφάλεια

a) Τα φιά των ηλεκτρικών εργαλείων πρέπει να είναι κατάλληλα για τις πρίζες.

Μην τροποποιήσετε ποτέ το φιας με οποιονδήποτε τρόπο.

Μη χρησιμοποιείτε φιας προσαρμογής με γειωμένα ηλεκτρικά εργαλεία.

Τα μη τροποποιημένα φιας και οι κατάλληλες πρίζες μειώνουν τον κίνδυνο ηλεκτροπληξίας.

b) Αποφύγετε τη σωματική επαφή με γειωμένες επιφάνειες όπως σωλήνες, θερμάστρες, μαγειρικές συσκευές και ψυγεία.

Υπάρχει αυξημένος κίνδυνος ηλεκτροπληξίας όταν το σώμα σας είναι γειωμένο.

c) Μην εκθέτετε τα ηλεκτρικά εργαλεία στη βροχή ή σε συνθήκες υγρασίας.

Το νερό που εισέρχεται σε ένα ηλεκτρικό εργαλείο αυξάνει τον κίνδυνο ηλεκτροπληξίας.

d) Μην ασκείτε δύναμη στο καλώδιο. Μη χρησιμοποιείτε ποτέ το καλώδιο για να μεταφέρετε, να τραβήξετε ή να θγάλετε από την πρίζα το ηλεκτρικό εργαλείο. Κρατήστε το καλώδιο μακριά από θερμότητα, λάδι, κοφτερές γωνίες και κινούμενα μέρη.

Τα κατεστραμμένα ή μπερδεμένα καλώδια αυξάνουν τον κίνδυνο ηλεκτροπληξίας.

e) Όταν χρησιμοποιείτε το εργαλείο σε εξωτερικό χώρο, χρησιμοποιήστε καλώδιο προέκτασης που προορίζεται για χρήση σε εξωτερικό χώρο.

Η χρήση ενός καλωδίου κατάλληλου για εξωτερικό χώρο μειώνει τον κίνδυνο ηλεκτροπληξίας.

f) Αν είναι αναπόφευκτη η λειτουργία ενός ηλεκτρικού εργαλείου σε χώρο με υγρασία, χρησιμοποιείτε διάταξη προστασίας ρεύματος διαρροής (RCD).

Η χρήση της RCD μειώνει τον κίνδυνο ηλεκτροπληξίας.

3) Προσωπική ασφάλεια

a) Να είστε σε ετοιμότητα, να βλέπετε αυτό που κάνετε και να χρησιμοποιείτε την κοινή λογική όταν χρησιμοποιείτε ένα ηλεκτρικό εργαλείο.

Μη χρησιμοποιείτε ηλεκτρικά εργαλεία όταν είστε κουρασμένοι ή υπό την επίδραση ναρκωτικών ουσιών, οινοπνεύματος ή φαρμάκων.

Μια στιγμή απροσεξίας κατά τη χρήση ενός ηλεκτρικού εργαλείου μπορεί να προκαλέσει σοβαρό προσωπικό τραυματισμό.

b) Χρησιμοποιείτε προσωπικό προστασία για τα μάτια. Ο προστατευτικός εξοπλισμός, όπως μάσκα για τη σκόνη, αντιολισθητικά παπούτσια, σκληρό καπέλο ή προστασία για τα αυτιά, που χρησιμοποιείται για ανάλογες συνθήκες μπορεί να μειώσει τους τραυματισμούς.

c) Προλαμβάνετε τυχόν ακούσια εκκίνηση. Βεβαιωθείτε ότι ο διακόπτης είναι σε θέση απενεργοποίησης πριν συνδέσετε τη συσκευή με πηγή ρεύματος και/ή τη θήκη της μπαταρίας, πριν σηκώσετε ή μεταφέρετε το εργαλείο.

Η μεταφορά ηλεκτρικού εργαλείου με τα δάχτυλά σας στο διακόπτη ή η ηλεκτροδότηση ηλεκτρικού εργαλείου με ενεργοποιημένο το διακόπτη μπορεί να προκαλέσουν ατυχήματα.

d) Να αφαιρείτε τυχόν κλειδιά ρυθμιζόμενου ανοιγματος ή τα απλά κλειδιά πριν θέσετε σε λειτουργία το ηλεκτρικό εργαλείο.

Ένα απλό κλειδί ή ένα κλειδί ρυθμιζόμενου ανοιγματος που είναι προσαρτημένο σε περιστρεφόμενο εξάρτημα του ηλεκτρικού εργαλείου μπορεί να προκαλέσει προσωπικό τραυματισμό.

e) Μην ντυνέστε. Να διατηρείτε πάντοτε το κατάλληλο πάτημα και την ισορροπία σας. Με αυτόν τον τρόπο μπορείτε να ελέγχετε καλύτερα το ηλεκτρικό εργαλείο σε μη αναμενόμενες καταστάσεις.

f) Να είστε ντυμένοι κατάλληλα. Μη φοράτε φαρδιά ρούχα ή κοσμήματα. Να κρατάτε τα μαλλιά σας, τα ρούχα σας και τα γάντια σας μακριά από κινούμενα μέρη.

Τα φαρδιά ρούχα, τα κοσμήματα και τα μακριά μαλλιά μπορεί να πιαστούν σε κινούμενα μέρη.

g) Αν παρέχονται εξαρτήματα για τη σύνδεση συσκευών εξαγωγής και συλλογής σκόνης, να βεβαιώνεστε ότι είναι συνδεδεμένα και χρησιμοποιούνται με το σωστό τρόπο.

Η χρήση συλλεκτή σκόνης μειώνει τους κινδύνους που προέρχονται από τη σκόνη.

4) Χρήση και φροντίδα ηλεκτρικών εργαλείων

a) Μην ασκείτε δύναμη στο ηλεκτρικό εργαλείο. Να χρησιμοποιείτε το ηλεκτρικό εργαλείο που είναι κατάλληλο για το είδος της εργασίας που εκτελείτε. Το κατάλληλο ηλεκτρικό εργαλείο θα εκτελέσει την εργασία καλύτερα και με μεγαλύτερη ασφάλεια με τον τρόπο που σχεδιάστηκε.

b) Μη χρησιμοποιήσετε το ηλεκτρικό εργαλείο αν ο διακόπτης λειτουργίας δεν ανοίγει και δεν κλείνει. Ένα ηλεκτρικό εργαλείο που δεν ελέγχεται από το διακόπτη λειτουργίας είναι επικίνδυνο και πρέπει να επισκευαστεί.

c) Αποσυνδέστε το βύσμα από την πηγή ισχύος και/ή τη θήκη μπαταρίας από το ηλεκτρικό εργαλείο πριν προβείτε σε ρυθμίσεις, αλλαγή εξαρτήματος ή αποθήκευση του ηλεκτρικού εργαλείου.

Αυτά τα προληπτικά μέτρα ασφαλείας μειώνουν τον κίνδυνο να ξεκινήσει το ηλεκτρικό εργαλείο κατά λάθος.

- d) Αποθηκεύετε τα εργαλεία που δεν χρησιμοποιείτε μακριά από παιδιά και μην αφήνετε τα άτομα που δεν είναι εξοικειωμένα με το ηλεκτρικό εργαλείο ή με αυτές τις οδηγίες να χρησιμοποιούν το ηλεκτρικό εργαλείο.

Τα ηλεκτρικά εργαλεία είναι επικίνδυνα στα χέρια μη εκπαιδευμένων ατόμων.

- e) **Συντηρείτε τα ηλεκτρικά εργαλεία. Να ελέγχετε την ευθυγράμμιση τους ή το μπλοκάρισμα των κινούμενων μερών, τη θραύση των εξαρτημάτων και οποιαδήποτε άλλη κατάσταση που ενδέχεται να επηρεάσει τη λειτουργία του ηλεκτρικού εργαλείου. Σε περίπτωση θλάξης, το ηλεκτρικό εργαλείο πρέπει να επισκευαστεί πριν χρησιμοποιηθεί.**

Πολλά ατυχήματα προκαλούνται από ηλεκτρικά εργαλεία που δεν έχουν συντηρηθεί σωστά.

- f) **Διατηρείτε τα εργαλεία κοπής καθαρά. Τα κατάλληλα συντηρημένα εργαλεία κοπής με κοφτερές γωνίες μπλοκάρουν πιο δύσκολα και ελέγχονται πιο εύκολα.**

- g) **Χρησιμοποιείτε το ηλεκτρικό εργαλείο, τα εξαρτήματα και τα μέρη κ.τ.λ. σύμφωνα με τις παρούσες οδηγίες, λαμβάνοντας υπόψη τις συνθήκες εργασίας και την εργασία που θα εκτελέσετε.**

Η χρήση του ηλεκτρικού εργαλείου για εργασίες πέρα από εκείνες για τις οποίες προορίζεται, ενδέχεται να δημιουργήσει κινδύνους.

5) Εργαλείο μπαταρίας – χρήση και φροντίδα

- a) **Η επαναφόρτιση να πραγματοποιείται μόνο μέσω του φορτιστή που έχει καθοριστεί από τον κατασκευαστή.**

Ο φορτιστής που είναι κατάλληλος για ένα τύπο μπαταρίας, ενδέχεται να προκαλέσει κίνδυνο πυρκαγιάς όταν χρησιμοποιείται με άλλου τύπου θήκη μπαταριών.

- b) **Χρησιμοποιήστε ηλεκτρικά εργαλεία μόνο με τις ειδικά καθορισμένες θήκες μπαταριών.**

Η χρήση οποιοδήποτε άλλου τύπου θήκης μπαταριών ενδέχεται να προκαλέσει τραυματισμό και πυρκαγιά.

- c) **Όταν η θήκη μπαταριών είναι εκτός χρήσης, φυλάξτε την μακριά από άλλα μεταλλικά αντικείμενα όπως συνδετήρες, νομισμάτα, κλειδιά, καρφί, βίδες ή άλλα μικρού μεγέθους μεταλλικά αντικείμενα που μπορούν να πραγματοποιήσουν σύνδεση από τον ένα ακροδέκτη στον άλλο.**

Αν τοποθετήσετε μαζί τους ακροδέκτες μπαταριών ενδέχεται να προκληθούν εγκαύματα ή πυρκαγιά.

- d) **Υπό καταχρηστικές συνθήκες, ενδέχεται να εκτοξευτεί υγρό από την μπαταρία. Αποφύγετε την επαφή.**

Σε περίπτωση επαφής με το υγρό από σφάλμα, ξεπλύνετε με νερό. Αν το υγρό έρθει σε επαφή με τα μάτια, ξεπλύνετε με νερό και ζητήστε ιατρική βοήθεια.

Το υγρό που εκτοξεύεται από την μπαταρία μπορεί να προκαλέσει ερεθισμό ή εγκαύματα.

6) Σέρβις

- a) **Να δίνετε το ηλεκτρικό εργαλείο για σέρβις σε κατάλληλα εκπαιδευμένα άτομα και να χρησιμοποιείτε μόνο γνήσια ανταλλακτικά.**

Με αυτόν τον τρόπο είστε σίγουροι για την ασφάλεια του ηλεκτρικού εργαλείου.

ΠΡΟΦΥΛΑΞΗ

Μακριά από τα παιδιά και τους αναπήρους.

Όταν δεν χρησιμοποιούνται, τα εργαλεία πρέπει να φυλάσσονται μακριά από τα παιδιά και τους αναπήρους.

ΠΡΟΕΙΔΟΠΟΙΗΣΕΙΣ ΑΣΦΑΛΕΙΑΣ ΚΟΙΝΕΣ ΓΙΑ ΤΡΟΧΙΣΜΑ Η ΤΡΑΧΥ ΠΡΙΟΝΙΣΜΑ

- a) **Αυτό το ηλεκτρικό εργαλείο προορίζεται για λειτουργία τροχίσματος ή κοπής. Διαβάζετε όλες προειδοποιήσεις ασφαλείας, τις οδηγίες, τις εικόνες και τις προδιαγραφές που παρέχονται με το ηλεκτρικό εργαλείο.**

Η μη τήρηση των οδηγιών που αναφέρονται παρακάτω μπορεί να προκαλέσει ηλεκτροπληξία, πυρκαγιά και/ή σοβαρό τραυματισμό.

- b) **Ενέργειες, όπως η επίστρωση με άμμο, ο καθαρισμός με συρματόβουρτσα ή το γυάλισμα δεν συνιστώνται με αυτό το ηλεκτρικό εργαλείο.**

Ενέργειες για τις οποίες δεν σχεδιάστηκε το ηλεκτρικό εργαλείο μπορούν να αποτελέσουν κίνδυνο και να προκαλέσουν τραυματισμό.

- c) **Μην χρησιμοποιείτε εξαρτήματα που δεν είναι ειδικά σχεδιασμένα και δεν συνιστώνται από τον κατασκευαστή.**

Το γεγονός ότι το εξάρτημα προσαρτάται στο ηλεκτρικό σας εργαλείο δεν σημαίνει ότι έτσι διασφαλίζεται η ασφαλής λειτουργία του.

- d) **Η ονομαστική ταχύτητα του εξαρτήματος πρέπει να ισοδυναμεί τουλάχιστον με τη μέγιστη ταχύτητα που αναφέρεται στο ηλεκτρικό εργαλείο.**

Τα εξαρτήματα που έχουν μεγαλύτερη ταχύτητα από την ονομαστική ταχύτητα μπορεί να σπάσουν και να εκτοξευθούν μακριά.

- e) **Η εξωτερική διάμετρος και το πάχος του εξαρτήματος σας πρέπει να βρίσκονται εντός της ονομαστικής τιμής όγκου του ηλεκτρικού σας εργαλείου.**

Δεν είναι δυνατή η επαρκής προστασία και ο έλεγχος εξαρτημάτων με λάθος υπολογισμό μεγέθους.

- f) **Το μέγεθος των τροχών, των φλαντζών, των πίσω περιβλήματων ή άλλων εξαρτημάτων πρέπει να ταιριάζουν απόλυτα στον άξονα του ηλεκτρικού εργαλείου.**

Τα εξαρτήματα με σπές που δεν ταιριάζουν στο πλαισιωμένο υλικό του ηλεκτρικού εργαλείου δεν θα έχουν ισορροπία, θα δονούνται υπερβολικά και μπορεί να προκαλέσουν απώλεια ελέγχου.

- g) **Μην χρησιμοποιείτε κατεστραμμένα εξαρτήματα. Πριν από κάθε χρήση ελέγχετε το εξάρτημα, όπως τους τροχούς λείανσης για θραύσματα και σχισμές ή υπερβολική φθορά, τη συρματίνη βούρτσα για χαλαρά ή σπασμένα σύρματα. Αν το ηλεκτρικό εργαλείο ή το εξάρτημα πέσουν, ελέγχετε για ζημιές ή εγκαταστήστε ένα ακόμα εξάρτημα. Μετά τον έλεγχο και την εγκατάσταση του εξαρτήματος, απομακρυνθείτε, και υποδείξτε το ίδιο σε όσους βρίσκονται γύρω, από την πτέρυγα του περιστρεφόμενου εξαρτήματος και λειτουργήστε το ηλεκτρικό εργαλείο στη μέγιστη ταχύτητα μη φόρτισης για ένα λεπτό.**

Τα κατεστραμμένα εξαρτήματα θα διαλυθούν κατά τη διάρκεια αυτή της δοκιμής.

- h) **Φοράτε προστατευτικό εξοπλισμό. Ανάλογα με την ενέργεια, χρησιμοποιείτε μάσκα για το πρόσωπο, μάσκα οξυγονοκόλλησης ή προστατευτικά γυαλιά. Όπως αρμόζει, φοράτε μάσκα για τη σκόνη, προστατευτικά για τα αυτιά, γάντια και στολή συνεργείου που μπορεί να σας προστατέψει από μικρά τραχιά θραύσματα.**

Η προστασία για τα μάτια πρέπει να σας προστατεύει από τα μικρά θραύσματα. Η μάσκα για τη σκόνη ή ο αναπνευστήρας πρέπει να φιλτράρουν τα σωματίδια που παράγονται κατά τις εργασίες σας. Η παραπεταμένη

έκθεση σε υψηλή ένταση ήχου μπορεί να επιφέρει απώλεια ακοής.

- ι) Διατηρείτε τους γύρω σας σε ασφαλή απόσταση από την περιοχή εργασίας σας. Οποιοσδήποτε εισέρχεται στην περιοχή εργασίας σας πρέπει να φοράει προστατευτικό εξοπλισμό.**

Μπορεί να εκτοξευθούν θραύσματα ή ένα χαλασμένο εξάρτημα και να προκαλέσει τραυματισμό πέρα από την περιοχή εργασίας σας.

- ι) Κρατάτε το ηλεκτρικό εργαλείο μόνο από τις μονωμένες λαβές, όταν εκτελείτε μια ενέργεια κατά την οποία το εξάρτημα κοπή μπορεί να έρθει σε επαφή με το κρυφό σώμα ή το καλώδιο του.**

Το εξάρτημα κοπή που έρχεται σε επαφή με "ενεργό" καλώδιο μπορεί να "ενεργοποιηθεί" τα εκτεθειμένα μεταλλικά μέρη του ηλεκτρικού εργαλείου και να τινάξει το χειριστή.

- κ) Τοποθετείτε το καλώδιο χωρίς το περιστρεφόμενο εξάρτημα.**

Αν χάσετε τον έλεγχο, το καλώδιο μπορεί να κοπεί ή να σκιστεί και το χέρι σας να βρεθεί μέσα στο περιστρεφόμενο εξάρτημα.

- λ) Ποτέ μην αποθέτετε κάτω το ηλεκτρικό εργαλείο πριν σταματήσει τελείως η λειτουργία του εξαρτήματος.**

Το περιστρεφόμενο εξάρτημα μπορεί να αρπάξει την επιφάνεια και να χάσετε τον έλεγχο του ηλεκτρικού εργαλείου.

- μ) Το ηλεκτρικό εργαλείο δεν πρέπει να λειτουργεί ενώ το μεταφέρετε.**

Μια τυχαία επαφή με το περιστρεφόμενο εξάρτημα θα μπορούσε να πιάσει τα ρούχα σας τραβώντας το εξάρτημα προς το σώμα σας.

- ν) Καθαρίζετε τακτικά τις οπές αερισμού του ηλεκτρικού εργαλείου.**

Ο ανεμιστήρας του μοτέρ απορροφάει τη σκόνη στο περιβάλλον και η υπερβολική συγκέντρωση ρινοσμάτων μπορεί να προκαλέσει ηλεκτρικούς κινδύνους.

- ο) Μην χρησιμοποιείτε το ηλεκτρικό εργαλείο κοντά σε εύφλεκτα υλικά.**

Οι σπινθήρες μπορεί να αναφλέξουν αυτά τα υλικά.

- π) Μην χρησιμοποιείτε εξαρτήματα που χρειάζονται ψυκτικό υγρό.**

Η χρήση νερού ή άλλων ψυκτικών υγρών μπορεί να προκαλέσει θανατηφόρα ηλεκτροπληξία.

ΛΑΚΤΙΣΜΑ ΚΑΙ ΣΧΕΤΙΚΕΣ ΠΡΟΕΙΔΟΠΟΙΗΣΕΙΣ

Λάκτισμα ονομάζεται η ξαφνική αντίδραση σε ένα ραγισμένο ή φθαρμένο περιστρεφόμενο τροχό με προεξοχές, βάση αλοφαδούρου, βούρτσα ή οποιοδήποτε άλλο εξάρτημα. Το ράγισμα ή το σκίσιμο προκαλούν απότομο σταμάτημα του περιστρεφόμενου εξαρτήματος, το οποίο με τη σειρά του προκαλεί την ώθηση του ανεξέλεγκτου ηλεκτρικού εργαλείου προς μία διεύθυνση αντίθετη από την περιστροφή του εξαρτήματος στο σημείο της εμπλοκής.

Εάν, για παράδειγμα, ένας τροχός λείανσης σκιστεί ή ραγίσει από το τεμάχιο εργασίας, το άκρο του τροχού που εισάγεται στο σημείο θραύσης μπορεί να σκάψει την επιφάνεια του υλικού, προκαλώντας την ανεξέλεγκτη έξοδο ή το λάκτισμα του τροχού. Ο τροχός μπορεί να αναπηδήσει προς το χειριστή ή προς την αντίθετη κατεύθυνση από αυτόν, ανάλογα με τη διεύθυνση της κίνησης του τροχού τη στιγμή της θραύσης. Οι τροχοί λείανσης μπορεί επίσης να σπάσουν υπό αυτές τις συνθήκες.

Το λάκτισμα είναι αποτέλεσμα της εσφαλμένης μεταχείρισης του ηλεκτρικού εργαλείου και/ή εσφαλμένων λειτουργικών διαδικασιών ή συνθηκών και μπορεί να αποφευχθεί με τη λήψη των κατάλληλων προφυλάξεων, όπως περιγράφεται στη συνέχεια.

- α) Κρατάτε σταθερά το ηλεκτρικό εργαλείο και τοποθετήστε το σώμα και το χέρι σας έτσι, ώστε να μπορείτε να αντισταθείτε σε δυνάμεις ανάκρουσης. Χρησιμοποιείτε πάντα μια βοηθητική λαβή, εάν παρέχεται, για μέγιστο έλεγχο του λακτίσματος ή αντίδραση ροπής κατά την εκκίνηση.**

Ο χειριστής μπορεί να ελέγχει τις αντιδράσεις ροπής ή τις δυνάμεις ανάκρουσης, εάν έχουν ληφθεί τα κατάλληλα μέτρα προφύλαξης.

- β) Μην έχετε ποτέ το χέρι σας κοντά στο περιστρεφόμενο εξάρτημα.**

Το εξάρτημα μπορεί να λακτίσει πάνω από το χέρι σας.

- γ) Μην τοποθετείτε το σώμα σας στην περιοχή που θα κινηθεί το ηλεκτρικό εργαλείο, εάν λακτίσει.**

Το λάκτισμα θα τινάξει το εργαλείο προς την αντίθετη διεύθυνση από την κίνηση του τροχού τη στιγμή της θραύσης.

- δ) Να είστε ιδιαίτερα προσεκτικοί όταν εργάζεστε σε γωνίες, αιχμηρά άκρα κ.λπ. Αποφύγετε την αναπήδηση και τη φθορά του εξαρτήματος.**

Οι γωνίες, τα αιχμηρά άκρα ή η αναπήδηση έχουν την τάση να φθείρουν το περιστρεφόμενο εξάρτημα και να προκαλούν απώλεια ελέγχου ή λάκτισμα.

- ε) Μην αναρτάτε λάμα κοπής ξύλου αλυσοπριονίου ή οδοντωτή λάμα πριονίου.**

Οι λάμες αυτές δημιουργούν συχνά λακτίσματα και προκαλούν απώλεια ελέγχου.

ΠΡΟΕΙΔΟΠΟΙΗΣΕΙΣ ΑΣΦΑΛΕΙΑΣ ΕΙΔΙΚΕΣ ΓΙΑ ΤΡΟΧΙΣΜΑ Η ΤΡΑΧΥ ΠΡΙΟΝΙΣΜΑ

- α) Χρησιμοποιείτε μόνο τύπους τροχών που συνιστώνται για το δικό σας ηλεκτρικό εργαλείο και το ειδικό προστατευτικό που είναι σχεδιασμένο ειδικά για τον επιλεγμένο τροχό.**

Τροχό για τους οποίους δεν σχεδιάστηκε το ηλεκτρικό εργαλείο δεν μπορούν να ελεγχθούν επαρκώς και δεν είναι ασφαλείς.

- β) Το προστατευτικό πρέπει να είναι σωστά αναρτημένο στο ηλεκτρικό εργαλείο και να τοποθετείται για μέγιστη ασφάλεια έτσι ώστε να εκτίθεται όσο το δυνατόν μικρότερο μέρος του τροχού στον χειριστή.**

Το προστατευτικό βοηθά στην προστασία του χειριστή από θραύσματα τροχού και από εκούσια επαφή με τον τροχό.

- γ) Οι τροχοί πρέπει να χρησιμοποιούνται μόνο για τις συνιστώμενες εφαρμογές. Για παράδειγμα: μην ακονίζετε με το πλάι του τροχού πριονίσματος.**

Οι λειαντικοί τροχοί πριονίσματος σχεδιάστηκαν για περιμετρικό ακόνισμα. Οι πλευρικές δυνάμεις που ασκούνται σε αυτούς τους τροχούς μπορεί να προκαλέσουν τη θραύση τους.

- δ) Χρησιμοποιείτε πάντα άφθαρτες φλάντζες τροχών που έχουν το σωστό μέγεθος και σχήμα για τον επιλεγμένο τροχό.**

Οι κατάλληλες φλάντζες υποστηρίζουν τον τροχό και ελαττώνουν την πιθανότητα θραύσης. Οι φλάντζες για τροχούς πριονίσματος μπορεί να διαφέρουν από τις φλάντζες για τροχούς ακονίσματος.

e) Μην χρησιμοποιείτε φθαρμένους τροχούς από μεγαλύτερα ηλεκτρικά εργαλεία.

Τροχός, σχεδιασμένος για μεγαλύτερο ηλεκτρικό εργαλείο είναι ακατάλληλος για τη μεγαλύτερη ταχύτητα ενός μικρότερου εργαλείου και μπορεί να σκάσει.

ΠΡΟΣΘΕΤΕΣ ΠΡΟΕΙΔΟΠΟΙΗΣΕΙΣ ΑΣΦΑΛΕΙΑΣ ΕΙΔΙΚΕΣ ΓΙΑ ΤΡΟΧΙΣΜΑ Η ΤΡΑΧΥ ΠΡΙΟΝΙΣΜΑ

a) Μην μπλοκάρετε τον τροχό πριονίσματος και μην ασκείτε υπερβολική πίεση. Μην επιχειρήσετε να κόψετε σε υπερβολικό βάθος.

Η άσκηση υπερβολικής πίεσης στον τροχό αυξάνει το φορτίο και την τάση στρέβλωσης του τροχού στην τομή και την πιθανότητα λακτίσματος ή θραύσης του τροχού.

b) Μην τοποθετείτε το σώμα σας σε ευθεία με τον περιστρεφόμενο τροχό ή πίσω από αυτόν.

Όταν κατά τη λειτουργία του ο τροχός απομακρύνεται από το σώμα σας, το πιθανό λάκτισμα μπορεί να τινάξει τον περιστρεφόμενο τροχό και να ωθήσει με δύναμη το ηλεκτρικό εργαλείο προς το μέρος σας.

c) Όταν ο τροχός "κολλάει" ή όταν διακόπτετε μία τομή για οποιοδήποτε λόγο, απενεργοποιήστε το ηλεκτρικό εργαλείο και κρατήστε το ακίνητο εσώτου ακινητοποιηθεί τελείως ο τροχός. Μην επιχειρήσετε ποτέ να απομακρύνετε τον τροχό πριονίσματος από την τομή, ενώ κινείται, γιατί μπορεί να προκύψει λάκτισμα.

Ερευνήστε και λάβετε διορθωτικά μέτρα για να εξαλείψετε την αιτία εμπλοκής του τροχού.

d) Μην προσπαθήσετε να συνεχίσετε την τομή στο υλικό που επεξεργάζεστε. Αφήστε τον τροχό να φτάσει στην τελική του ταχύτητα και ξαναδοκιμάστε προσεκτικά στην τομή.

Ο τροχός μπορεί να "κολλήσει", να μετατοπιστεί ή να λακτίσει, εάν θέσετε το εργαλείο σε λειτουργία όταν βρίσκεται μέσα στο υλικό που επεξεργάζεστε.

ΓΕΝΙΚΕΣ ΟΔΗΓΙΕΣ ΑΣΦΑΛΕΙΑΣ ΓΙΑ ΓΩΝΙΑΚΟΥΣ ΤΡΟΧΟΥΣ ΛΕΙΑΝΣΕΩΣ ΜΠΑΤΑΡΙΑΣ

- Ελέγξτε η ένδειξη ταχύτητας του δίσκου να είναι ίση ή μεγαλύτερη από την ένδειξη ταχύτητας του τροχού.
- Σιγουρευτείτε ότι οι διαστάσεις του δίσκου είναι συμβατές με τον τροχό.
- Οι δίσκοι λειάνσεως πρέπει να φυλάσσονται και χειρίζονται με προσοχή σύμφωνα με τις οδηγίες του κατασκευαστή.
- Ελέγξτε τον δίσκο πριν τη χρήση, μη χρησιμοποιήστε σπασμένα, ραγισμένα ή με άλλο τρόπο ελαττωματικά προϊόντα.
- Σιγουρευτείτε ότι τοποθετημένοι δίσκοι και οι σημανσεις έχουν προσαρμοστεί σύμφωνα με τις οδηγίες του κατασκευαστή.
- Σιγουρευτείτε ότι τα στυπόχαρτα έχουν χρησιμοποιηθεί όταν παρέχονται με το συγκολλημένο λειαντικό προϊόν λειάνσεως και όταν χρειάζονται.
- Σιγουρευτείτε ότι το προϊόν λειάνσεως έχει τοποθετηθεί σωστά και σφικτεί πριν τη χρήση και λειτουργήσετε το εργαλείο για 30 δευτερόλεπτα χωρίς φορτίο και σε μια ασφαλή θέση, σταματήστε αμέσως αν υπάρχει υπερβολική δόνηση ή παρατηρήσετε άλλες δυσλειτουργίες. Σ' αυτή τη

περίπτωση, ελέγξτε το μηχάνημα για να διαπιστεύσετε την αιτία.

- Εάν το εργαλείο είναι εφοδιασμένο με κάποιο προστατευτικό, ποτέ μη χρησιμοποιήσετε το εργαλείο χωρίς αυτό το προστατευτικό.
- Μη χρησιμοποιήτε πρόσθετες ροδέλες μείωσης ή προσαρμογές για να προσαρμόσετε δίσκους με μεγάλη τρύπα.
- Για εργαλεία φτιαγμένα να δέχονται τροχούς με τρύπα, σιγουρευτείτε ότι η τρύπα του δίσκου είναι αρκετά μεγάλη για να δεχθεί το μέγεθος του άξονα.
- Φροντίστε το αντικείμενο εργασίας να είναι καλά στηριγμένο.
- Μη χρησιμοποιήτε δίσκο κοπής για πλευρικό τρόχισμα.
- Σιγουρευτείτε ότι οι σπινθήρας από τη χρήση δεν δημιουργούν κινδύνους, π.χ. δεν χτυπούν ανθρώπους ή πυροδοτούν εύφλεκτες ουσίες.
- Σιγουρευτείτε ότι τα ανοίγματα αερισμού είναι ελεύθερα όταν εργάζεστε σε συνθήκες σκονισμένη, εάν χρειαστεί να αφαιρέσετε σκόνη, πρώτα αποσυνδέστε το εργαλείο από το ρεύμα (μη χρησιμοποιήτε μεταλλικά αντικείμενα) και προσέξτε να μη προεξήνετε ζημία στα εσωτερικά μέρη.
- Πάντα να χρησιμοποιήτε προστασία για τα μάτια και τα αυτιά. Άλλοι προστατευτικοί εξοπλισμοί όπως μάσκα σκόνης, γάντια, κράνος και ποδιά θα πρέπει να χρησιμοποιούνται.
- Προσέξτε τον δίσκο που συνεχίζει να περιστρέφεται μετά το σβήσιμο του εργαλείου.
- Πάντοτε φορτίζετε την μπαταρία σε θερμοκρασία ανάμεσα 0 - 40°C.
- Μια θερμοκρασία μικρότερη από 0°C θα προκαλέσει την υπερφόρτιση που είναι επικίνδυνη. Η μπαταρία δεν μπορεί να φορτιστεί σε θερμοκρασία μεγαλύτερη από 40°C.
- Η πιο κατάλληλη θερμοκρασία για φόρτιση είναι αυτή των 20 - 25°C.
- Μην χρησιμοποιείτε τον φορτιστή συνέχεια. Όταν η μια φόρτιση ολοκληρωθεί, αφήστε το φορτιστή για 15 λεπτά πριν από την επόμενη φόρτιση μπαταρίας.
- Μην αφήσετε ξένα υλικά να μπουν στην τρύπα σύνδεσης της επαναφορτιζόμενης μπαταρίας.
- Ποτέ μην αποσυναρμολογήσετε την επαναφορτιζόμενη μπαταρία και το φορτιστή.
- Ποτέ μην βραχυκυκλώσετε την επαναφορτιζόμενη μπαταρία. Το βραχυκύκλωμα της μπαταρίας θα προκαλέσει ένα μεγάλο ηλεκτρικό ρεύμα και υπερθέρμανση. Προκαλεί το κάψιμο ή την υπερθέρμανση της μπαταρίας.
- Μην πετάξετε την μπαταρία στη φωτιά. Αν η μπαταρία καεί μπορεί να εκραγεί.
- Μην βάλτε κανένα αντικείμενο μέσα στις τρύπες εξαερισμού του φορτιστή. Η είσοδος μεταλλικών αντικειμένων ή εύφλεκτων υλικών στις τρύπες εξαερισμού του φορτιστή θα προκαλέσει τον κίνδυνο ηλεκτροπληξίας ή την καταστροφή του φορτιστή.
- Πηγαίνετε την μπαταρία στο κατάστημα από το οποίο την αγοράσατε όταν η διάρκεια ζωής της μπαταρίας μετά από την φόρτιση έχει γίνει πολύ μικρή για πρακτική χρήση. Μην πετάξετε την τελειωμένη μπαταρία.
- Η χρησιμοποίηση μια εξασθενημένης μπαταρίας θα προκαλέσει βλάβη στο φορτιστή.

ΠΡΟΣΟΧΗ ΣΤΗΝ ΜΠΑΤΑΡΙΑ ΙΟΝΤΩΝ ΛΙΘΙΟΥ

Για την επέκταση του χρόνου διάρκειας της μπαταρίας ιόντων λιθίου υπάρχει η λειτουργία προστασίας που σταματά την ισχύς εξόδου. Στις περιπτώσεις 1 και 2 περιγράφονται κατωτέρω, κατά τη χρήση του προϊόντος, ακόμη και τραβάτε το διακόπτη ο κινητήρας ενδέχεται να σταματήσει. Αυτό δεν είναι το πρόβλημα αλλά το αποτέλεσμα της λειτουργίας προστασίας.

1. Όταν η υπόλοιπη ισχύ της μπαταρίας που απομένει τελειώσει, ο κινητήρας σταματάει. Στην περίπτωση αυτή θα πρέπει να τη φορτίσετε αμέσως.
2. Εάν υπάρχει υπερφόρτιση του εργαλείου ο κινητήρας ενδεχομένως να σταματήσει. Στην περίπτωση αυτή απελευθερώστε το διακόπτη του εργαλείου και εξαλειψετε την αιτία της υπερφόρτωσης. Έπειτα από αυτό μπορείτε να το χρησιμοποιήσετε πάλι.

Παρακαλέστε, επίσης, να τηρείτε τις ακόλουθες προειδοποιήσεις και προφυλάξεις.

ΠΡΟΕΙΔΟΠΟΙΗΣΗ

Για να αποφύγετε τυχόν διαρροή της μπαταρίας, παραγωγή θερμότητας, εκπομπή καπνού, έκρηξη ή ανάφλεξη, πρέπει να τηρείτε τις ακόλουθες προφυλάξεις.

1. Βεβαιωθείτε ότι δεν συσσωρεύεται σκόνη στη μπαταρία.
 - Κατά την εργασία σας βεβαιωθείτε ότι δεν πέφτει σκόνη στη μπαταρία.
 - Βεβαιωθείτε ότι τυχόν σκόνες που πέφτουν πάνω στο ηλεκτρικό εργαλείο την ώρα που εργάζεστε με αυτό, δεν συσσωρεύονται στη μπαταρία.
 - Μην αποθηκεύετε αχρησιμοποίητες μπαταρίες σε σημείο εκτεθειμένο σε σκόνη.
 - Πριν να αποθηκεύσετε μία μπαταρία, απομακρύνετε τυχόν σκόνες που πιθανόν να έχουν κολλήσει πάνω της και μην την αποθηκεύετε μαζί με μεταλλικά μέρη (βίδες, καρφιά, κ.λπ.).
2. Μην τρυπάτε τη μπαταρία με αιχμηρά αντικείμενα όπως καρφιά, μην χτυπάτε με σφυρί, μην πατάτε ή πετάτε τη μπαταρία. Προφυλάξτε την από ισχυρούς κραδασμούς.
3. Μην χρησιμοποιείτε μία εμφανώς κατεστραμμένη ή παραμορφωμένη μπαταρία.

4. Μην τοποθετείτε τη μπαταρία με λάθος τρόπο.
5. Μην συνδέετε απευθείας σε ηλεκτρική πρίζα ή στην υποδοχή του αναπτήρα στα αυτοκίνητα.
6. Μην χρησιμοποιείτε τη μπαταρία για χρήση άλλη πέραν της προβλεπόμενης.
7. Σε περίπτωση που δεν ολοκληρώνεται επιτυχώς η διαδικασία φόρτισης της μπαταρίας ακόμα και όταν έχει περάσει ο καθορισμένος χρόνος επαναφόρτισης, σταματήστε αμέσως οποιαδήποτε προσπάθεια επαναφόρτισης.
8. Η μπαταρία δεν πρέπει να εκτίθεται σε υψηλή θερμοκρασία ή υψηλή πίεση, όπως στην περίπτωση φούρνου μικροκυμάτων, ξηραντήρα ή δοχείου υψηλής πίεσης.
9. Απομακρύνετε αμέσως από τη φωτιά σε περίπτωση διαρροής ή δυσσομίας.
10. Μην χρησιμοποιείτε σε περιβάλλον με έντονο στατικό ηλεκτρισμό.
11. Σε περίπτωση διαρροής της μπαταρίας, δυσσομίας, παραγωγής θερμότητας, αποχρωματισμού ή παραμόρφωσής της, ή σε περίπτωση που παρατηρηθεί κάτι μη φυσιολογικό κατά τη διάρκεια της χρήσης, της επαναφόρτισης ή της αποθήκευσης, αφαιρέστε αμέσως από τον εξοπλισμό ή από τον φορτιστή της μπαταρίας και σταματήστε να χρησιμοποιείτε.

ΠΡΟΣΟΧΗ

1. Εάν διαρρέυσει υγρό από τη μπαταρία και έλθει σε επαφή με τα μάτια σας, μην τα τρίψετε, αλλά ξεπλύνετε τα πολύ καλά με καθαρό νερό όπως νερό βρύσης, και επικοινωνήστε αμέσως με γιατρό. Εάν όχι, το υγρό μπορεί να προκαλέσει προβλήματα στα μάτια σας.
2. Εάν διαρρέυσει υγρό στο δέρμα ή τα ρούχα σας, ξεπλύνετε καλά με καθαρό νερό, όπως νερό βρύσης, αμέσως. Υπάρχει το ενδεχόμενο να ερεθιστεί το δέρμα.
3. Εάν διαπιστώσετε σκουριά, δυσσομία, υπερθέρμανση, αποχρωματισμό, παραμόρφωση, και/ή άλλες ανωμαλίες κατά τη χρήση της μπαταρίας για πρώτη φορά, μην την χρησιμοποιήσετε, αλλά επιστρέψτε την στον υπεύθυνο προμηθευτή ή πωλητή.

ΤΕΧΝΙΚΑ ΧΑΡΑΚΤΗΡΙΣΤΙΚΑ**Γωνιακός τροχός λειάνσεως μπαταρίας**

Μοντέλο	G18DL(S)	
Τάση	18V	
Στροφές χωρίς φορτίο	9100 min ⁻¹	
Τροχός	Εξωτερική διάμετρος × διάμετρος τρύπας	125 × 22 mm
	Περιφερειακή ταχύτητα	80 m/s
Επαναφορτιζόμενη μπαταρία	3,0 Ah	EBM1830: Li-ion (10 στοιχεία)
Βάρος	1,9 Kg	

Φορτιστής

Μοντέλο	UC18YRL	
Τάση φόρτισης	7,2 – 18 V	
Χρόνος φόρτισης	2,0 Ah : Ni-Cd	30 min.
	2,6 Ah : Ni-MH	40 min.
	3,0 Ah : Ni-MH	45 min.
	3,3 Ah : Ni-MH	50 min.
	3,0 Ah : Li-ion	45 min.
Βάρος	0,6 kg	

Οι χρόνοι φόρτισης είναι κατά προσέγγιση. Ο πραγματικός χρόνος φόρτισης μπορεί να ποικίλλει.

ΚΑΝΟΝΙΚΑ ΕΞΑΡΤΗΜΑΤΑ

G18DL(S) (2MRK)	① Χαμηλωμένος κεντρικά τροχός ..	1
	② Κλειδί	1
	③ Πλευρική λαβή	1
	④ Φορτιστής	1
	⑤ Μπαταρία	2
	⑥ Πλαστική θήκη	1
G18DL(S) (MRK)	① Χαμηλωμένος κεντρικά τροχός ..	1
	② Κλειδί	1
	③ Πλευρική λαβή	1
	④ Φορτιστής	1
	⑤ Μπαταρία	1
	⑥ Πλαστική θήκη	1
G18DL(S) (NN)	Χωρίς Φορτιστή, Μπαταρία, Πλαστική Θήκη	

Τα κανονικά εξαρτήματα υπόκεινται σε αλλαγή χωρίς προειδοποίηση.

ΕΦΑΡΜΟΓΕΣ

- Αφαίρεση των υλικών που παραμένουν στις οπές χυτών αντικειμένων και τελειώματα διάφορων τύπων ατσαλιού, χαλκού και υλικών αλουμινίου και χυτών υλικών.
- Λείανση ηλεκτροκολλημένων τμημάτων ή τμημάτων που έχουν κοπεί από φλόγιστρο.
- Λείανση συνθετικών ρητινών, σχιστόλιθο, τούβλο, μάρμαρο κλπ.
- Κόψιμο συνθετικού τσιμέντου, πέτρας, τούβλου, μάρμαρου και παρόμοιων υλικών.

ΑΦΑΙΡΕΣΗ ΚΑΙ ΤΟΠΟΘΕΤΗΣΗ ΜΠΑΤΑΡΙΑΣ

1. Αφαίρεση μπαταρίας

Κρατήστε τη λαβή σφιχτά και σπρώξτε το μάνδαλο της μπαταρίας για να αφαιρέσετε την μπαταρία (Βλ. **Εικ. 1**).

ΠΡΟΣΟΧΗ

Ποτέ μην βραχυκυκλώσετε τη μπαταρία.

2. Τοποθέτηση μπαταρίας

Τοποθετήστε την μπαταρία προσέχοντας τις πολικότητες (Βλ. **Εικ. 1**).

ΦΟΡΤΙΣΗ

Πριν να χρησιμοποιήσετε το γωνιακό τροχό λείανσεως μπαταρίας, φορτίστε τη μπαταρία ως εξής.

1. Συνδέστε το καλώδιο ρεύματος του φορτιστή σε μια πηγή εναλλασσόμενου ρεύματος AC

Όταν το καλώδιο ρεύματος έχει συνδεθεί, η δοκιμαστική λάμπα του φορτιστή θα αναβοσβήνει στο κόκκινο (Κατά διαστήματα του 1 δευτερολέπτου).

2. Βάλτε την μπαταρία μέσα στο φορτιστή

Τοποθετήστε τη μπαταρία σταθερά, μέχρι να ακουμπήσει στη βάση του διαμερίσματος του φορτιστή.

ΠΡΟΣΟΧΗ

- Αν η μπαταρία τοποθετηθεί μέσα με αντίθετη φορά όχι μόνο η επαναφόρτιση δεν θα είναι δυνατή, αλλά ενδέχεται να δημιουργήσει προβλήματα στο φορτιστή όπως τη παραμόρφωση των ακροδεκτών επαναφόρτισης.

3. Φόρτιση

Όταν βάλετε την μπαταρία στο φορτιστή, η φόρτιση θα αρχίσει και η δοκιμαστική λάμπα θα ανάβει συνεχώς στο κόκκινο.

Όταν η μπαταρία φορτιστεί πλήρως, η δοκιμαστική λάμπα θα αναβοσβήνει στο κόκκινο (Κατά διαστήματα του 1 δευτερολέπτου) (Δείτε **πίνακα 1**).

(1) Ένδειξη πιλοτικής λάμπας

Οι ενδείξεις της πιλοτικής λάμπας θα είναι όπως φαίνεται στον **πίνακα 1**, σύμφωνα με την κατάσταση του φορτιστή ή την επαναφορτιζόμενη μπαταρία.

Πίνακας 1

Ενδείξεις των λαμπών			
Πριν τη φόρτιση	Αναβοσβήνει (ΚΟΚΚΙΝΟ)	Ανάβει για 0,5 δευτερόλεπτα. Δεν ανάβει για 0,5 δευτερόλεπτα. (κλειστό για 0,5 δευτερόλεπτα)	
Κατά τη φόρτιση	Ανάβει (ΚΟΚΚΙΝΟ)	Ανάβει συνεχώς	
Ολοκλήρωση φόρτισης	Αναβοσβήνει (ΚΟΚΚΙΝΟ)	Ανάβει για 0,5 δευτερόλεπτα. Δεν ανάβει για 0,5 δευτερόλεπτα. (κλειστό για 0,5 δευτερόλεπτα)	
Φόρτιση αδύνατη	Αναβοσβήνει (ΚΟΚΚΙΝΟ)	Ανάβει για 0,1 δευτερόλεπτα. Δεν ανάβει για 0,1 δευτερόλεπτα. (κλειστό για 0,1 δευτερόλεπτα)	Δυσλειτουργία στην μπαταρία ή στο φορτιστή.
Αναμένεται υπερθέρμανση μπαταρίας	Ανάβει (ΠΡΑΣΙΝΟ)	Ανάβει συνεχώς	Υπερθέρμανση μπαταρίας. Αδυναμία μετατροπής (η μετατροπή θα είναι εφικτή μόλις κρυώσει η μπαταρία).

ΣΗΜΕΙΩΣΗ: Όταν είμαστε σε κατάσταση αναμονής προκειμένου να κρυώσει η μπαταρία, το UC18YRL κρουώνει την μπαταρία που έχει υπερθερμανθεί με ανεμιστήρα.

- (2) Σχετικά με τη θερμοκρασία της επαναφορτιζόμενης μπαταρίας
Οι θερμοκρασίες των επαναφορτιζόμενων μπαταριών δείχνονται στον παρακάτω πίνακα, και οι μπαταρίες που έχουν ζεσταθεί πρέπει να κρυώσουν για κάποιο μικρό χρονικό διάστημα πριν επαναφορτιστούν.

Πίνακας 2 Επαναφορτιζόμενα διαστήματα των μπαταριών

Φορτιστής	UC18YRL
Επαναφορτιζόμενες μπαταρίες	
Μπαταρίες Ni-Cd	-5°C – 55°C
Μπαταρίες Ni-MH	-5°C – 50°C
Μπαταρίες Li-ion	0°C – 50°C

4. Αποσυνδέστε το ηλεκτρικό καλώδιο του φορτιστή από την πηγή εναλλασσόμενου ρεύματος AC
5. Κρατήστε το φορτιστή σταθερά και τραβήξτε τη μπαταρία

ΣΗΜΕΙΩΣΗ

Σιγουρευτείτε να τραβήξετε έξω την μπαταρία από το φορτιστή μετά την χρήση και μετά φυλάξετε την.

ΠΡΟΣΟΧΗ

- Αν η μπαταρία φορτίζεται καθώς είναι ζεστή επειδή αφέρθηκε για μεγάλο χρονικό διάστημα σε μια θέση που δέχεται απευθείας το ηλιακό φως ή επειδή η μπαταρία μόλις είχε χρησιμοποιηθεί, η δοκιμαστική λάμπα του φορτιστή ανάβει στο πράσινο. Σε τέτοια περίπτωση, πρώτα αφήστε την μπαταρία να κρυώσει, και μετά αρχίστε την φόρτιση.
- Όταν η πιλοτική λάμπα αναβοσβήνει στο κόκκινο γρήγορα (σε διαστήματα 0,2 δευτερολέπτων), ελέγξτε και βγάλτε έξω οποιοδήποτε ξένο αντικείμενο υπάρχει στην τρύπα του φορτιστή στην

οποία γίνεται η εγκατάσταση της μπαταρίας. Αν δεν υπάρχουν ξένα αντικείμενα, είναι πιθανό ότι η μπαταρία ή ο φορτιστής δυσλειτουργεί. Πηγαίνετε το στον εξουσιοδοτημένο Αντιπρόσωπο του Σέρβις.
○ Επειδή ο ενσωματωμένος μικροεπεξεργαστής χρειάζεται περίπου 3 δευτερόλεπτα για να επιβεβαιώσει ότι η μπαταρία που φορτίζεται με το UC18YRL έχει αφαιρεθεί, περιμένετε για τουλάχιστον 3 δευτερόλεπτα πριν την επανατοποθετήσετε για να συνεχίσετε τη φόρτιση. Αν η μπαταρία επανατοποθετηθεί μέσα σε διάστημα 3 δευτερολέπτων, η μπαταρία ενδέχεται να μη φορτιστεί κατάλληλα.

Αναφορικά με την ηλεκτρική εκκένωση στην περίπτωση των καινούργιων μπαταριών. κλπ.

Καθώς το εσωτερικό χημικό στοιχείο των καινούργιων μπαταριών και των μπαταριών που δεν έχουν χρησιμοποιηθεί για μακρό χρονικό διάστημα δεν είναι ενεργό, η ηλεκτρική εκκένωση ενδέχεται να είναι χαμηλή όταν τις χρησιμοποιείτε για πρώτη και δεύτερη φορά. Αυτό είναι ένα προσωρινό φαινόμενο, και ο κανονικός χρόνος που απαιτείται για την επαναφόρτιση θα επαναφερθεί με το να επαναφορτίσετε τις μπαταρίες 2-3 φορές.

Πώς να κάνετε τις μπαταρίες να αποδίδουν περισσότερο χρόνο

- (1) Επαναφορτίστε τις μπαταρίες πριν αδειάσουν τελείως.
Όταν αισθανθείτε ότι η ισχύς του εργαλείου γίνεται ασθενέστερη, σταματήστε τη χρήση του εργαλείου και επαναφορτίστε τις μπαταρίες.
Αν συνεχίσετε να χρησιμοποιείτε το εργαλείο και αδειάσει το ηλεκτρικό ρεύμα, η μπαταρία μπορεί να πάθει ζημιά και η ζωής της θα γίνει μικρότερη.
- (2) Αποφύγετε την επαναφόρτιση σε υψηλές θερμοκρασίες.

Μια επαναφορτιζόμενη μπαταρία θα είναι ζεστή αμέσως μετά τη χρήση. Αν μια τέτοια μπαταρία επαναφορτιστεί αμέσως μετά τη χρήση, το εσωτερικό της χημικό στοιχείο θα φθαρεί και η ζωή της μπαταρίας θα γίνει μικρότερη. Αφήστε τη μπαταρία και επαναφορτίστε την μετά από του κρυώσει για λίγο.

ΠΡΙΝ ΤΗ ΛΕΙΤΟΥΡΓΙΑ

1. Προετοιμασία και έλεγχος του περιβάλλοντος εργασίας

Σιγουρευτείτε ότι το μέρος εργασίας ανταποκρίνεται σε όλες τις συνθήκες που αναφέρονται στα μέτρα προφύλαξης.

2. Έλεγχος της μπαταρίας

Βεβαιωθείτε ότι η μπαταρία έχει εγκατασταθεί καλά. Αν είναι έστω και λίγο χαλαρή μπορεί να βγει έξω και να προκαλέσει τραυματισμό.

3. Τοποθέτηση και ρύθμιση του προφυλακτήρα του τροχού

Ο προφυλακτήρας του τροχού είναι μια προστατευτική συσκευή για την αποφυγή τραυματισμού στην περίπτωση που ο χαμηλωμένος κεντρικά τροχός θρυσματιστεί κατά την λειτουργία. Βεβαιωθείτε ότι ο προφυλακτήρας είναι κατάλληλα συνδεδεμένος και στερεωμένος πριν εκτελέσετε την λειτουργία της λείανσης. Ξεφίγγοντας ελαφρά την ρυθμιστική βίδα, ο προφυλακτήρας του τροχού μπορεί να περιστραφεί και να ρυθμιστεί στην επιθυμητή γωνία για την εξασφάλιση της μέγιστης λειτουργικής απόδοσης. Βεβαιωθείτε ότι η ρυθμιστική βίδα είναι καλά σφιγμένη μετά την ρύθμιση του προφυλακτήρα του τροχού.

4. Βεβαιωθείτε ότι οι τροχοί στερεώσης και τα άκρα έχουν συνδεθεί σύμφωνα με τις οδηγίες του κατασκευαστή.

Βεβαιωθείτε ότι ο χαμηλωμένος κεντρικά τροχός, που πρόκειται να χρησιμοποιηθεί είναι του σωστού τύπου και χωρίς ραγίσματα και ατέλειες στην επιφάνεια. Επίσης βεβαιωθείτε ότι ο χαμηλωμένος κεντρικά τροχός έχει στερεωθεί κατάλληλα και το παξιμάδι του τροχού είναι σφιγμένο με ασφάλεια. Ανατρέξτε στο τμήμα “ΣΥΝΑΡΜΟΛΟΓΗΣΗ ΚΑΙ ΑΠΟΣΥΝΑΡΜΟΛΟΓΗΣΗ ΤΟΥ ΧΑΜΗΛΩΜΕΝΟΥ ΚΕΝΤΡΙΚΑ ΤΡΟΧΟΥ”

Βεβαιωθείτε ότι οι δίσκοι προστασίας του τροχού χρησιμοποιούνται όταν παρέχονται με το συγκολλημένο λειαντικό προϊόν και όποτε απαιτούνται.

Μην χρησιμοποιήσετε ξεχωριστά εξαρτήματα ή προσαρμογείς για να προσαρμόσετε λειαντικούς τροχούς με μεγάλη τρύπα.

Για εργαλεία που προορίζονται να δέχονται τροχούς με σπείρωμα, βεβαιωθείτε ότι το σπείρωμα στο τροχό είναι αρκετά μακρύ για να δεχτεί το μήκος του άξονα.

Μην χρησιμοποιείτε τροχούς κοπής για πλευρική λείανση.

5. Εκτέλεση δοκιμαστικής χρήσης

Βεβαιωθείτε ότι τα προϊόντα λείανσης είναι σωστά συνδεδεμένα και σφιγμένα πριν από την χρήση και λειτουργήστε το εργαλείο χωρίς φορτίο για 30 δευτερόλεπτα σε μια ασφαλή θέση, σταματήστε αμέσως αν υπάρξει έντονη δόνηση ή αν παρουσιαστούν άλλες ανωμαλίες.

Αν αυτή η κατάσταση συμβεί, εξέγυτε το μηχανήμα για να ανακαλύψετε την αιτία.

6. Επιδεικνύστε το κουμπί ώθησης

Βεβαιωθείτε ότι το κουμπί ώθησης δεν είναι ενεργοποιημένο πατώντας το κουμπί ώθησης δυο ή τρεις φορές πριν ξεκινήσετε το εργαλείο (Δείτε **Εικ. 2**).

7. Στερέωση της πλευρικής λαβής

Βιδώστε την πλευρική λαβή στο κάλυμμα των γραναζιών.

ΠΡΑΚΤΙΚΗ ΕΦΑΡΜΟΓΗ ΤΟΥ ΛΕΙΑΝΤΗ

1. Πίεση

Για την επιμήκυνση του χρόνου ζωής του μηχανήματος και την εξασφάλιση ενός τελειώματος πρώτης ποιότητας, είναι σημαντικό το μηχανήμα να μην υπερφορτώνεται με την άσκηση υπερβολικής πίεσης. Στις περισσότερες εφαρμογές μόνο το βάρος του μηχανήματος είναι αρκετό για μια αποτελεσματική λείανση. Η υπερβολική πίεση θα προκαλέσει την ελάττωση της περιστροφικής ταχύτητας, τελειώμα επιφάνειας κατώτερης ποιότητας, και υπερφόρτωση η οποία θα ελαττώσει τον χρόνο ζωής του μηχανήματος.

2. Γωνία λείανσης

Μην ακουμπήστε ολόκληρη την επιφάνεια του χαμηλωμένου κεντρικά τροχού στο υλικό το οποίο πρόκειται να λειανθεί. Όπως φαίνεται στην **Εικ. 1** το μηχανήμα πρέπει να κρατιέται σε γωνία 15° – 30° έτσι ώστε η εξωτερική άκρη του χαμηλωμένου κεντρικά τροχού να εφάπτεται στο υλικό κατά την βέλτιστη γωνία.

3. Για την αποφυγή του σκαψίματος ενός καινούργιου χαμηλωμένου κεντρικά τροχού πάνω στο αντικείμενο εργασίας, η αρχική λείανση πρέπει να εκτελεστεί τραβώντας τον λειαντή πάνω στο αντικείμενο εργασίας προς το χρήστη (**Εικ. 1 διεύθυνση Β**). Αφότου το μοστίνο άκρο του χαμηλωμένου κεντρικά τροχού έχει κατάλληλα τριβεί, η λείανση μπορεί να πραγματοποιηθεί κατά την οποιαδήποτε κατεύθυνση.

4. Προφυλακτικά μέτρα αμέσως μετά το τέλος της λειτουργίας.

Ο τροχός συνεχίζει να περιστρέφεται αφότου το εργαλείο τεθεί εκτός λειτουργίας.

Μετά το κλείσιμο της μηχανής, μην το βάλετε κάτω πριν ο χαμηλωμένος κεντρικά τροχός σταματήσει τελείως. Εκτός από την αποφυγή σοβαρών ατυχημάτων, αυτό το μέτρο προφύλαξης θα ελαττώσει τη ποσότητα της σκόνης και τριμμάτων που προσφώνονται από το μηχανήμα.

ΣΗΜΕΙΩΣΗ

- Προς αποφυγή τραυματισμών, το παρόν προϊόν διαθέτει μια λειτουργία που αποτρέπει τη μη αναμενόμενη περιστροφή του κινητήρα κατά την εισαγωγή της μπαταρίας. Ο κινητήρας δεν λειτουργεί αν η μπαταρία τοποθετήθηκε με το διακόπτη στη θέση “ON”. Μετά την εγκατάσταση της μπαταρίας, απενεργοποιήστε το διακόπτη και στην συνέχεια ενεργοποιήστε τον πάλι.
- Το μοντέλο G18DL(S) είναι εξοπλισμένο με μια λειτουργία προστασίας που απενεργοποιεί το εργαλείο σε περίπτωση υπερφόρτωσης.

Σε περίπτωση που το εργαλείο τεθεί εκτός λειτουργίας λόγω υπερφόρτωσης, απενεργοποιήστε το και θέστε το ξανά σε λειτουργία.

Υπερφόρτωση που διακόπτει τη λειτουργία του εργαλείου και διαρκεί για περισσότερα από 10 δευτερόλεπτα πιθανόν να μην αποκατασταθεί με την απενεργοποίηση και την επαναφορά του εργαλείου. Αν συμβεί αυτό, αφαιρέστε τη μπαταρία από το εργαλείο και ξαναποθετήστε την πριν να ενεργοποιήσετε το διακόπτη λειτουργίας.

ΠΡΟΣΟΧΗ

- Ελέγξτε αν το αντικείμενο εργασίας υποστηρίζει τα κατάλληλα.
- Βεβαιωθείτε ότι τα ανοίγματα αερισμού διατηρούνται καθαρά κατά την διάρκεια της εργασίας σε σκονιασμένες περιοχές. Αν είναι απαραίτητο να καθαρίσετε τη σκόνη, πρώτα αποσυνδέστε το εργαλείο από την παροχή ρεύματος (χρησιμοποιήστε μη μεταλλικά αντικείμενα) και αποφύγετε να προκαλέσετε ζημιά στα εσωτερικά τμήματα.
- Βεβαιωθείτε ότι οι σπίνες που προκαλούνται από τη χρήση δεν δημιουργούν κίνδυνο πχ δεν κτυπούν τους ανθρώπους, ή αναφλέγουν εύφλεκτα υλικά.
- Πάντοτε να χρησιμοποιείτε προστατευτικά ματιών και αυτιών. Άλλος εξοπλισμός προσωπικής προστασίας όπως μάσκα σκόνης, γάντια, κράνος και ποδιά πρέπει να χρησιμοποιείται όταν είναι απαραίτητο. Αν βρίσκεστε σε αμφιβολία φορέστε τον προστατευτικό εξοπλισμό.
- Όταν το μηχάνημα βρίσκεται εκτός χρήσης, η μπαταρία πρέπει να αποσυνδέεται.

ΣΥΝΑΡΜΟΛΟΓΗΣΗ ΚΑΙ ΑΠΟΣΥΝΑΡΜΟΛΟΓΗΣΗ ΤΟΥ ΧΑΜΗΛΩΜΕΝΟΥ ΚΕΝΤΡΙΚΑ ΤΡΟΧΟΥ (Εικ. 2)

ΠΡΟΣΟΧΗ: Βεβαιωθείτε ότι έχετε απενεργοποιήσει το διακόπτη και τραβήξτε προς τα έξω την μπαταρία.

1. Συναρμολόγηση (Εικ. 2)

- (1) Γυρίστε το λειαντή ανάποδα έτσι ώστε ο άξονας να βλέπει προς τα επάνω.
- (2) Ταιριάξτε το διάκενο της ροδέλας του τροχού με το εντεταγμένο τμήμα του άξονα, μετά συνδέστε τα.
- (3) Εφαρμόστε το προεξέχων τμήμα του χαμηλωμένου κεντρικά τροχού πάνω στη ροδέλα του τροχού.
- (4) Βιδώστε το παξιμάδι του τροχού πάνω στον άξονα.
- (5) Καθώς σπρώχνεται το κουμπί ώθησης με το ένα χέρι, ασφαλίστε τον άξονα περιστρέφοντας τον χαμηλωμένο κεντρικά τροχό αργά με το άλλο χέρι. Σφίξτε το παξιμάδι του τροχού χρησιμοποιώντας το παρεχόμενο κλειδί όπως φαίνεται στην **Εικ. 2**.

2. Αποσυναρμολόγηση

Ακολουθήστε τις παραπάνω διαδικασίες αντίστροφα.

ΠΡΟΣΟΧΗ

- Επιβεβαιώστε ότι ο χαμηλωμένος κεντρικά τροχός έχει στερεωθεί καλά.
- Επιβεβαιώστε ότι το κουμπί ώθησης έχει απεμπλακεί σπώχνωντάς το δυο ή τρεις φορές πριν την εκκίνηση του ηλεκτρικού εργαλείου.

ΣΥΝΤΗΡΗΣΗ ΚΑΙ ΕΛΕΓΧΟΣ

1. **Έλεγχος του χαμηλωμένου κεντρικά τροχού**
Βεβαιωθείτε ότι ο χαμηλωμένος κεντρικά τροχός δεν έχει ραγίσματα ή ατέλειες στην επιφάνεια.
2. **Έλεγχος των θιδών στερέωσης**
Ελέγχετε περιοδικά όλες τις βίδες στερέωσης και βεβαιωθείτε ότι είναι κατάλληλα σφικμένες. Στην περίπτωση που χαλαρώσει οποιαδήποτε βίδα σφίξτε την ξανά αμέσως. Αν δεν το κάνετε αυτό μπορεί να έχει ως αποτέλεσμα το σοβαρό τραυματισμό.
3. **Συντήρηση του μοτέρ**
Η περιέλιξη στη μονάδα του μοτέρ είναι η “καρδιά” του ηλεκτρικού εργαλείου. Δώστε μεγάλη προσοχή για να διασφαλίσετε ότι η περιέλιξη δεν θα πάθει ζημιά και / ή θα βραχεί με λάδι ή νερό.
4. **Έλεγχος στα καρβουνάκια (Εικ. 4)**
Το μοτέρ χρησιμοποιεί καρβουνάκια τα οποία είναι αναλώσιμα μέρη. Επειδή ένα υπερβολικό φθαρμένο καρβουνάκι μπορεί να δημιουργήσει πρόβλημα στο μοτέρ, αντικαταστήστε το καρβουνάκι με καινούργιο όταν φθαρεί ή όταν φθάσει κοντά στο “όριο φθοράς”. Επιπρόσθετα πάντοτε να κρατάτε τα καρβουνάκια καθαρά και εξασφαλίστε ότι ολισθαίνουν ελεύθερα μέσα στις θήκες.

ΣΗΜΕΙΩΣΗ

Όταν αντικαθιστάτε το καρβουνάκι με ένα καινούργιο, βεβαιωθείτε να χρησιμοποιήσετε το Καρβουνάκι της Hitachi με Αρ. Κωδικού 999054.

5. Αντικατάσταση των καρβουνακίων.

Βγάλτε το καρβουνάκι αφαιρώντας πρώτα το καπάκι του καρβουνακιού και μετά γαντζώστε την προεξοχή του καρβουνακιού με ένα κατσαβίδι για κεφαλές με εγκοπές, κλπ., όπως φαίνεται στην **Εικ. 6**. Κατά την τοποθέτηση του καρβουνακιού, επιλέξτε την κατεύθυνση ώστε το καρφι στο καρβουνάκι να συμφωνεί με το τμήμα επαφής έξω από το σωλήνα της ψήκτρας. Μετά, σπρώξτε το μέσα με το δάχτυλο, όπως φαίνεται στην **Εικ. 7**. Τέλος, τοποθετήστε το κάλυμμα του καρβουνακιού.

ΠΡΟΣΟΧΗ

Να είστε απόλυτα σίγουροι ότι βάλατε το καρφι του καρβουνακιού μέσα στο τμήμα επαφής έξω από το σωλήνα της ψήκτρας. (Μηρείτε να βάλετε οποιοδήποτε από τα δυο καρφιά που παρέχονται.) Προσοχή πρέπει να δοθεί επειδή το οποιοδήποτε λάθος σε αυτή την εργασία μπορεί να προκαλέσει την παραμόρφωση του καρφίου και ενδέχεται να προκαλέσει πρόβλημα στο μοτέρ στο αρχικό στάδιο.

6. Καθαρισμός του εξωτερικού

Αν ο γωνιακός τροχός λειάνσεως μπαταρίας είναι λερωμένος, σκουπίστε τον με ένα μαλακό στεγνό πανί βρεγμένο με λίγο νερό και σαπούνι. Μη χρησιμοποιείτε διαλύματα χλωρίνης, βενζίνη ή διαλυτικά χρώματος, για να μην καταστραφούν τα πλαστικά μέρη.

7. Αποθήκευση

Αποθηκεύστε το γωνιακό τροχό λείανσης μπαταρίας σε μέρος όπου η θερμοκρασία είναι κάτω τους 40° και μακριά από παιδιά.

8. Λίστα συντήρησης των μερών

A: Αρ. Αντικειμένου

B: Αρ. Κωδικού

C: Αρ. που χρησιμοποιήθηκε

D: Παρατηρήσεις

ΠΡΟΣΟΧΗ

Η επισκευή, η τροποποίηση και ο έλεγχος των Ηλεκτρικών Εργαλείων Hitachi πρέπει να γίνεται από ένα Εξουσιοδοτημένο κέντρο σέρβις της Hitachi.

Αυτή η Λίστα των Μερών θα είναι χρήσιμη αν παρουσιαστεί μαζί με το εργαλείο στο εξουσιοδοτημένο Κέντρο Σέρβις της Hitachi όταν ζητάτε επισκευή ή κάποια άλλη συντήρηση.

Κατά τον έλεγχο και τη συντήρηση των ηλεκτρικών εργαλείων, οι κανόνες ασφαλείας και οι κανονισμοί που υπάρχουν σε κάθε χώρα πρέπει να ακολουθούνται.

ΤΡΟΠΟΠΟΙΗΣΗ

Τα Ηλεκτρικά Εργαλεία Hitachi βελτιώνονται συνεχώς και τροποποιούνται για να συμπεριλάβουν τις τελευταίες τεχνολογικές προόδους.

Κατά συνέπεια, ορισμένα τμήματα (δηλ. κωδικοί αριθμοί και / ή σχεδιασμός) μπορούν να αλλάξουν χωρίς προηγούμενη ειδοποίηση.

ΕΓΓΥΗΣΗ

Εγγυώμαστε τα εργαλεία Hitachi Power Tools σύμφωνα με τη νομοθεσία και τους κανονισμούς ανά χώρα. Η παρούσα εγγύηση δεν καλύπτει ελαττώματα ή ζημιές λόγω κακής χρήσης, κακοποίησης ή φυσιολογικής φθοράς. Σε περίπτωση παραπόνων παρακαλούμε αποστείλετε το Power Tool χωρίς να το αποσυναρμολογήσετε μαζί με το ΠΙΣΤΟΠΟΙΗΤΙΚΟ ΕΓΓΥΗΣΗΣ το οποίο βρίσκεται στο τέλος των οδηγιών αυτών, σε Εξουσιοδοτημένο Κέντρο Επισκευής της Hitachi.

ΣΗΜΕΙΩΣΗ

Εξαιτίας του συνεχιζόμενου προγράμματος έρευνας και ανάπτυξης της Hitachi τα τεχνικά χαρακτηριστικά που εδώ αναφέρονται μπορούν να αλλάξουν χωρίς προηγούμενη ειδοποίηση.

Πληροφορίες που αφορούν τον εκπεμπόμενο θόρυβο και τη δόνηση.

Οι τιμές μετρήθηκαν σύμφωνα με το EN60745 και βρέθηκαν σύμφωνες με το ISO 4871.

Μετρηθείσα τυπική στάθμη ηχητικής ισχύος A: 85 dB (A)
Μετρηθείσα τυπική στάθμη ηχητικής πίεσης A: 74 dB (A)
Αβεβαιότητα ΚρA: 3 dB (A)

Φοράτε προστατευτικά αυτιών.

Συνολικές τιμές δόνησης (διανυσματικό άθροισμα τριαξονικού καλωδίου) που καθορίζονται σύμφωνα με το πρότυπο EN60745.

Επιφάνεια ακονίσματος:

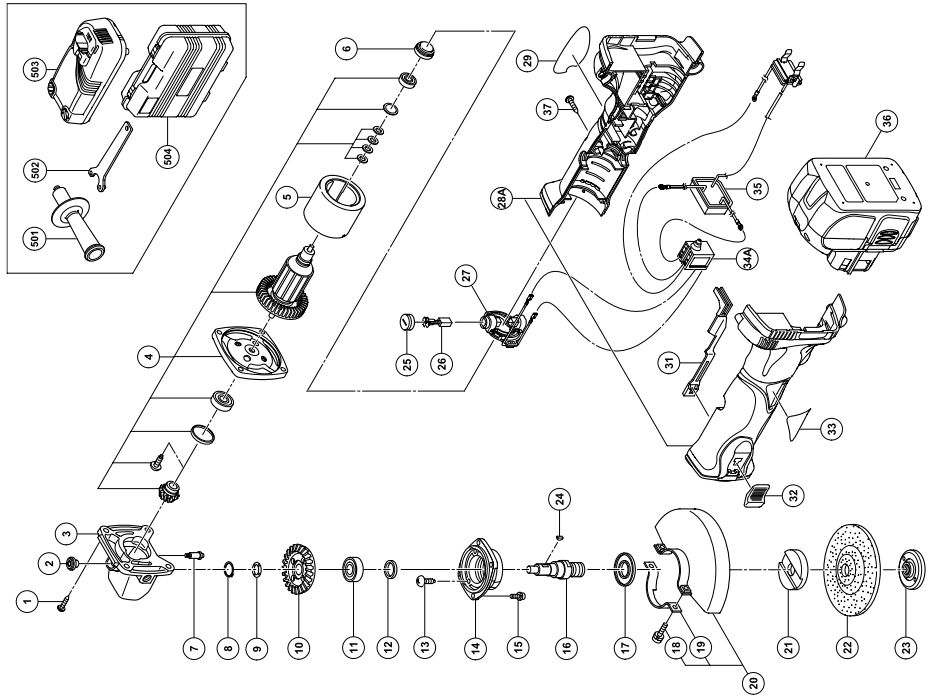
Τιμή εκπομπής δόνησης **a_h**, **AG** = 9,3 m/s²

Αβεβαιότητα K = 1,5 m/s²

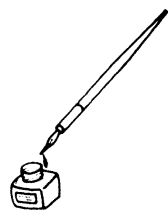
ΠΡΟΣΟΧΗ

- Η τιμή εκπομπής δόνησης κατά την ουσιαστική χρήση του ηλεκτρικού εργαλείου μπορεί να διαφέρει από τη δηλωμένη τιμή, ανάλογα με το που και πως χρησιμοποιείται το εργαλείο.
- Για να αναγνωρίσετε τα μέτρα ασφαλείας για την προστασία του χειριστή που βασίζονται σε μία εκτίμηση της έκθεσης στις πραγματικές συνθήκες χρήσης (λαμβάνοντας υπόψη όλα τα μέρη του κύκλου λειτουργίας όπως τα διαστήματα που το εργαλείο είναι απενεργοποιημένο και όταν λειτουργεί στο ρελαντί μαζί με το χρόνο διεγερσης).

G18DL(S)



A	B	C	D	A	B	C	D
1	328643	4	D4x23	501	318312	1	
2	301944	1		502	938332Z	1	
3	303078	1	"2, 7"	503		1	UC18YRL
4	360804	1		504	328206	1	
5	328195	1					
6	328201	1					
7	301943	1					
8	316487	1					
9	316486	1					
10	328364	1					
11	6001VV	1	6001VVCMP52L				
12	301946	1					
13	301936	3	M4x10				
14	328198	1					
15	307127	4	M4x12				
16	328359	1	M14				
17	301945	1					
18	308386	2	M5x16				
19	301949	1					
20	319116	1	"18, 19"				
21	937817Z	1					
22		1					
23	994324	1	125 MM A24Q				
24	302047	1	M14				
25	328200	2					
26	999054	2	5x6x11.5				
27	328202	1					
28A	329060	1					
29		1					
31	328199	1					
32	314428	1					
33		1					
34A	329057	1					
35	328658	1					
36	326240	2	EBM1830				
37	301653	5	D4x20				

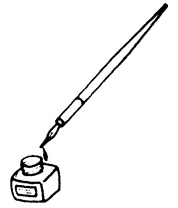



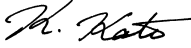
<p>English</p> <p><u>GUARANTEE CERTIFICATE</u></p> <ol style="list-style-type: none"> ① Model No. ② Serial No. ③ Date of Purchase ④ Customer Name and Address ⑤ Dealer Name and Address (Please stamp dealer name and address) 	<p>Nederlands</p> <p><u>GARANTIEBEWIJS</u></p> <ol style="list-style-type: none"> ① Modelnummer ② Serienummer ③ Datum van aankoop ④ Naam en adres van de gebruiker ⑤ Naam en adres van de handelaar (Stempel a.u.b. naam en adres vande de handelaar)
<p>Deutsch</p> <p><u>GARANTIESCHEIN</u></p> <ol style="list-style-type: none"> ① Modell-Nr. ② Serien-Nr. ③ Kaufdatum ④ Name und Anschrift des Kunden ⑤ Name und Anschrift des Händlers (Bitte mit Namen und Anschrift des Handlers abstempeln) 	<p>Español</p> <p><u>CERTIFICADO DE GARANTIA</u></p> <ol style="list-style-type: none"> ① Número de modelo ② Número de serie ③ Fecha de adquisición ④ Nombre y dirección del cliente ⑤ Nombre y dirección del distribuidor (Se ruega poner el sellú del distribuidor con su nombre y dirección)
<p>Français</p> <p><u>CERTIFICAT DE GARANTIE</u></p> <ol style="list-style-type: none"> ① No. de modèle ② No. de série ③ Date d'achat ④ Nom et adresse du client ⑤ Nom et adresse du revendeur (Cachet portant le nom et l'adresse du revendeur) 	<p>Português</p> <p><u>CERTIFICADO DE GARANTIA</u></p> <ol style="list-style-type: none"> ① Número do modelo ② Número do série ③ Data de compra ④ Nome e morada do cliente ⑤ Nome e morada do distribuidor (Por favor, carimbe o nome e morada do distribuidor)
<p>Italiano</p> <p><u>CERTIFICATO DI GARANZIA</u></p> <ol style="list-style-type: none"> ① Modello ② N° di serie ③ Data di acquisto ④ Nome e indirizzo dell'acquirente ⑤ Nome e indirizzo del rivenditore (Si prega di apporre il timbro con questi dati) 	<p>Ελληνικά</p> <p><u>ΠΙΣΤΟΠΟΙΗΤΙΚΟ ΕΓΓΥΗΣΗΣ</u></p> <ol style="list-style-type: none"> ① Αρ. Μοντέλου ② Αύξων Αρ. ③ Ημερομηνία αγοράς ④ Ονομα και διεύθυνση πελάτη ⑤ Ονομα και διεύθυνση μεταπωλητή (Παρακαλούμε χρησιμοποιηθεί σφραγίδα)

HITACHI

①	
②	
③	
④	
⑤	





<p>English</p> <p><u>EC DECLARATION OF CONFORMITY</u></p> <p>We declare under our sole responsibility that this product is in conformity with standards or standardized documents EN60745, EN60335, EN55014 and EN61000 in accordance with Council Directives 2004/108/EC, 2006/95/EC and 98/37/EC.</p> <p>This declaration is applicable to the product affixed CE marking.</p>	<p>Nederlands</p> <p><u>EC VERKLARING VAN CONFORMITEIT</u></p> <p>Wij verklaren onder eigen verantwoordelijkheid dat dit produkt conform de richtlijnen of gestandaardiseerde documenten EN60745, EN60335, EN55014 en EN61000 voldoet aan de eisen van EEG Bepalingen 2004/108/EC, 2006/95/EC en 98/37/EC.</p> <p>Deze verklaring is van toepassing op producten voorzien van de CE-markeringen.</p>
<p>Deutsch</p> <p><u>ERKLÄRUNG ZUR KONFORMITÄT MIT CE-REGELN</u></p> <p>Wir erklären mit alleiniger Verantwortung, daß dieses Produkt den Standards oder standardisierten Dokumenten EN60745, EN60335, EN55014 und EN61000 in Übereinstimmung mit den Direktiven des Europarats 2004/108/CE, 2006/95/CE und 98/37/CE entspricht.</p> <p>Diese Erklärung gilt für Produkte, die die CE-Markierung tragen.</p>	<p>Español</p> <p><u>DECLARACIÓN DE CONFORMIDAD DE LA CE</u></p> <p>Declaramos bajo nuestra única responsabilidad que este producto está de acuerdo con las normas o con los documentos de normalización EN60745, EN60335, EN55014 y EN61000, según indican las Directrices del Consejo 2004/108/CE, 2006/95/CE y 98/37/CE.</p> <p>Esta declaración se aplica a los productos con marcas de la CE.</p>
<p>Français</p> <p><u>DECLARATION DE CONFORMITE CE</u></p> <p>Nous déclarons sous notre seule et entière responsabilité que ce produit est conforme aux normes ou documents normalisés EN60745, EN60335, EN55014 et EN61000 en accord avec les Directives 2004/108/CE, 2006/95/CE et 98/37/CE du Conseil.</p> <p>Cette déclaration s'applique aux produits désignés CE.</p>	<p>Português</p> <p><u>DECLARAÇÃO DE CONFORMIDADE CE</u></p> <p>Declaramos, sob nossa única e inteira responsabilidade, que este produto está de acordo com as normas ou documentos normativos EN60745, EN60335, EN55014 e EN61000, em conformidade com as Diretrizes 2004/108/CE, 2006/95/CE e 98/37/CE do Conselho.</p> <p>Esta declaração se aplica aos produtos designados CE.</p>
<p>Italiano</p> <p><u>DICHIARAZIONE DI CONFORMITÀ CE</u></p> <p>Si dichiara sotto nostra responsabilità che questo prodotto è conforme agli standard o ai documenti standardizzati EN60745, EN60335, EN55014 e EN61000 conforme alle direttive 2004/108/CE, 2006/95/CE e 98/37/CE del concilio.</p> <p>Questa dichiarazione è applicabile ai prodotti cui sono applicati i marchi CE.</p>	<p>Ελληνικά</p> <p><u>ΕΚ ΔΗΛΩΣΗ ΕΝΑΡΜΟΝΙΣΜΟΥ</u></p> <p>Δηλώνουμε με απόλυτη υπευθυνότητα ότι αυτό το προϊόν είναι εναρμονισμένο με τα πρότυπα ή τα έγγραφα προτύπων EN60745, EN60335, EN55014 και EN61000 σε συμφωνία με τις Οδηγίες του Συμβουλίου 2004/108/ΕΚ, 2006/95/ΕΚ και 98/37/ΕΚ.</p> <p>Αυτή η δήλωση ισχύει στο προϊόν με το σημάδι CE.</p>
<p>Representative office in Europe Hitachi Power Tools Europe GmbH Siemensring 34, 47877 Willich 1, F. R. Germany</p> <p>Head office in Japan Hitachi Koki Co., Ltd. Shinagawa Intercity Tower A, 15-1, Konan 2-chome, Minato-ku, Tokyo, Japan</p> <div style="text-align: center;">  </div> <p style="text-align: right;">31. 1. 2008</p> <div style="text-align: right;">  <hr/> K. Kato Board Director </div>	

 **Hitachi Koki Co., Ltd.**