

Milwaukee®

Nothing but **HEAVY DUTY**®



K500 S **K545 S**

Original instructions
Originalbetriebsanleitung
Notice originale
Istruzioni originali
Manual original
Oorspronkelijke
gebruiksaanwijzing
Original brugsanvisning
Original bruksanvisning
Bruksanvisning i original
Alkuperäiset ohjeet

Πρωτότυπο οδηγιών χρήσης
Orijinal işletme talimatı
Původním návodem k
používání
Původný návod na použitie
Instrukcją oryginalną
Eredeti használati utasítás
Izvirna navodila
Originalne pogonske upute
Instrukcijām oriģinālvalodā
Originalni instrukcija

Algupärane kasutusjuhend
Оригинальное руководство
по эксплуатации
Оригинално ръководство за
експлоатация
Instrucțiuni de folosire
originale
Оригинален прирачник за
работа
原始的指南

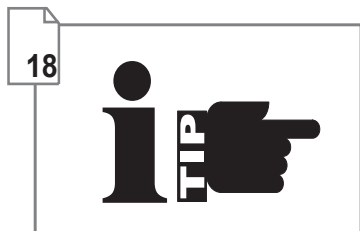
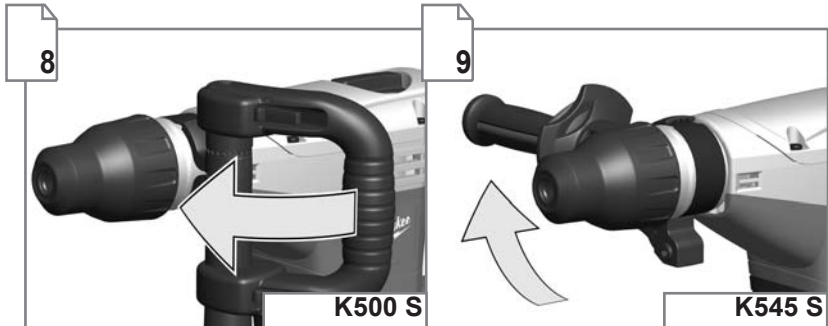
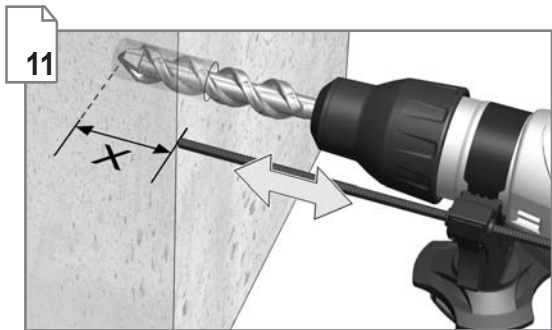
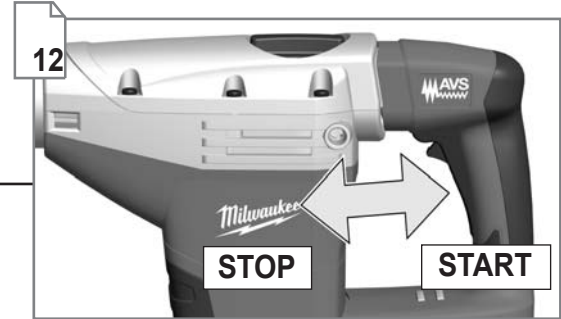
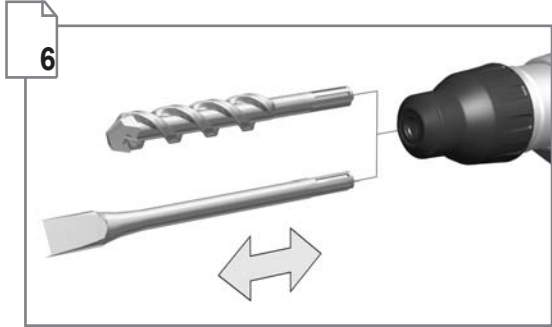
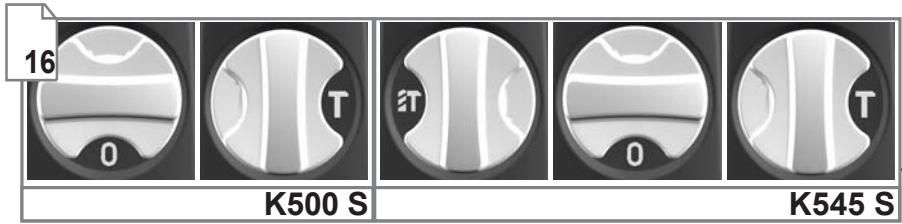
K500 S

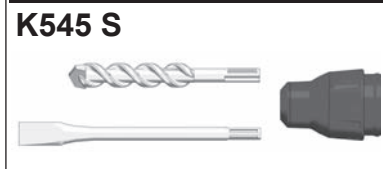
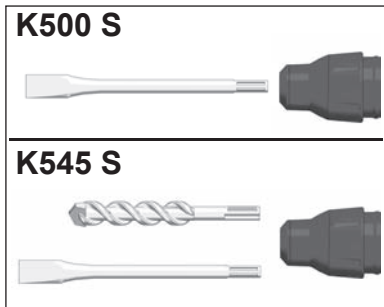
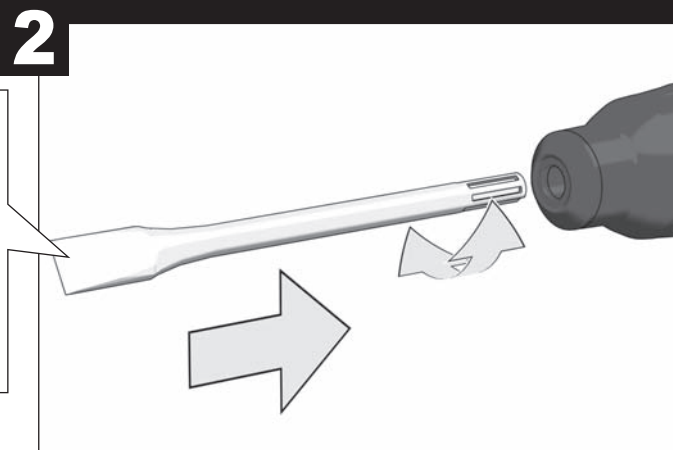
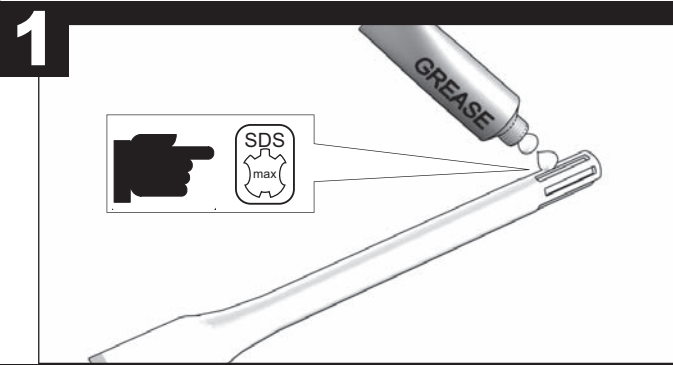
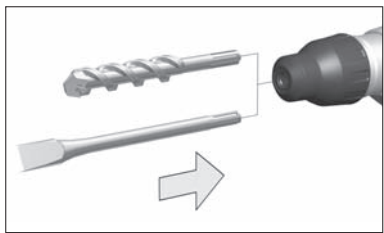
Meißelhammer	Sekacie kladivo
Chipping Hammer	Młot kujący
Burineur	Vésókalapács
Martelli demolitori	Sekalna kladiva
Martillo Cincelador	Klesací čekič
Martelo Perfurador	Ciršanas āmurs
Hakhamer	Карајомо плактукас
Meißelhammer	Teravhaamer
Meiselhammer	Отбойный молоток
Meißelhammare	Къртач
Piikkausvasara	Ciocan de spart
ΚΡΟΥΣΤΙΚΟ ΠΙΣΤΟΛΕΤΟ	Апарат за длетување
Keski çekici	凿破机
Sekací kladiva	

K545 S

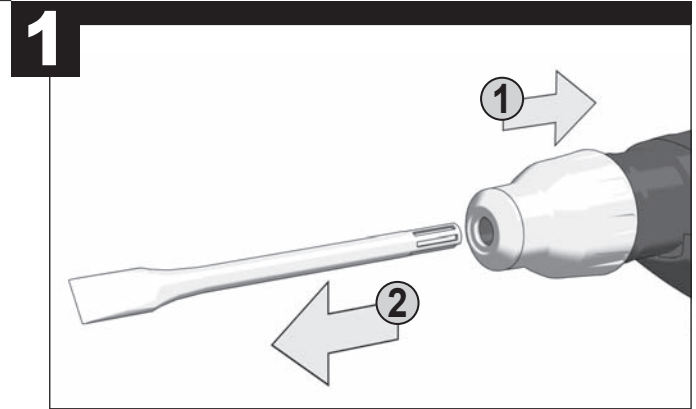
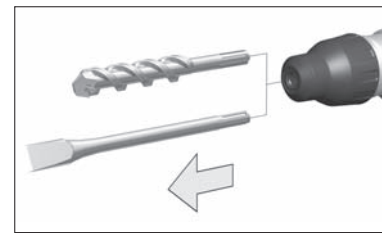
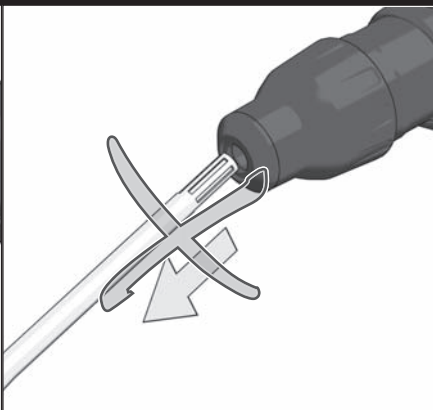
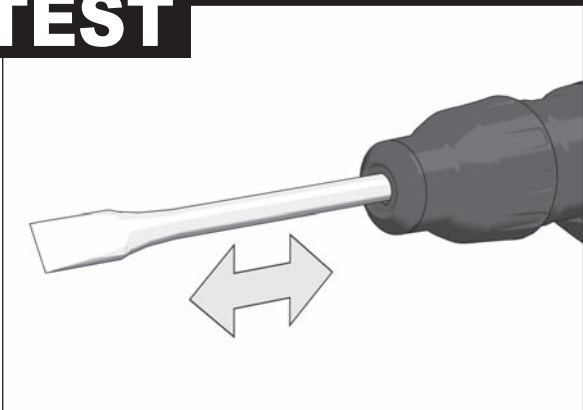
Kombihammer	Kombinované kladivo
Combi Hammer	Młot wielofunkcyjny
Perforateur Burineur	Kombi fúrókalapács
Martelli combinati	Kombinirana kladiva
Martillo Combinado	Kombinirani čekič
Martelo Combinado	Combi āmurs
Combi-hamer	Kombinuotasis plaktukas
Kombihammer	Combi vasar
Kombihammer	3-х режимный перфоратор
Kombihammare	Комбиниран ударник
Yhdistelmävasara	Ciocan combi
ΠΕΡΙΣΤΡΟΦΙΚΟ-ΣΚΑΠΤΙΚΟ ΠΙΣΤΟΛΕΤΟ	Комби-чекан
Kombi çekici	多用锤钻
Kombinovaná kladiva	

Technical Data, Safety Instructions, Specified Conditions of Use, EC-Declaration of Conformity, Mains connection, Maintenance, Symbols	Please read and save these instructions!	ENGLISH	20
Technische Daten, Sicherheitshinweise, Bestimmungsgemäße Verwendung, CE-Konformitätserklärung, Netzanschluss, Wartung, Symbole	Bitte lesen und aufbewahren!	DEUTSCH	22
Caractéristiques techniques, Instructions de sécurité, Utilisation conforme aux prescriptions, Déclaration CE de Conformité, Branchement secteur, Entretien, Symboles	Prière de lire et de conserver!	FRANÇAIS	24
Dati tecnici, Norme di sicurezza, Utilizzo conforme, Dichiarazione di Conformità CE, Collegamento alla rete, Manutenzione, Simboli	Si prega di leggere le istruzioni e di conservarle!	ITALIANO	26
Datos técnicos, Instrucciones de seguridad, Aplicación de acuerdo a la finalidad, Declaración de Conformidad CE, Conexión eléctrica, Mantenimiento, Símbolos	Lea y conserve estas instrucciones por favor!	ESPAÑOL	28
Características técnicas, Instruções de segurança, Utilização autorizada, Declaração de Conformidade CE, Ligações à rede, Manutenção, Símbolos	Por favor leia e conserve em seu poder!	PORTUGUES	30
Technische gegevens, Veiligheidsadviezen, Voorgeschreven gebruik van het systeem, EC-Konformiteitsverklaring, Netaansluiting, Onderhoud, Symbolen	Lees en let goed op deze adviezen!	NEDERLANDS	32
Tekniske data, Sikkerhedshenvisninger, Tiltænkt formål, CE-Konformitetserklæring, Netttilslutning, Vedligeholdelse, Symboler	Vær venlig at læse og opbevare!	DANSK	34
Tekniske data, Spesielle sikkerhetshenvisninger, Formålmessig bruk, CE-Samsvarserklæring, Netttilkopling, Vedlikehold, Symboler	Vennligst les og oppbevar!	NORSK	36
Tekniska data, Sakerhetsutrustning, Använd maskinen Enligt anvisningarna, CE-Försäkran, Nätanslutning, Skötsel, Symboler	Var god läs och tag tillvara dessa instruktioner!	SVENSKA	38
Tekniset arvot, Turvallisuusohjeet, Tarkoituksenmukainen käyttö, Todistus CE-standardinmukaisuudesta, Verkkoliitäntä, Huolto, Symbolit	Lue ja säilytä!	SUOMI	40
Τεχνικά στοιχεία, Σημαντικές οδηγίες ασφαλείας, Χρήση σύμφωνα με το σκοπό προορισμού, Δήλωση πιστότητας εκ, Συνδέση στο ηλεκτρικό δίκτυο, Συντήρηση, Σύμβολα	Παρακαλείσθε να τις διαβάσετε και να τις φυλάξετε!	ΕΛΛΗΝΙΚΑ	42
Teknik verler, Güvenliğiniz için talimatlar, Kullanım, CE uygunluk beyanice, Şebeke bağlantısı, Bakım, Semboller	Lütfen okuyun ve saklayın	TÜRKÇE	44
Technická data, Speciální bezpečnostní upozornění, Oblast využití, Ce-prohlášení o shodě, Připojení na síť, Údržba, Symboly	Po přečtení uschovejte	ČESKY	46
Technické údaje, Speciálne bezpečnostné pokyny, Použitie podľa predpisov, CE-Vyhľadanie konformity, Sieťová prípojka, Údržba, Symboly	Prosím prečítať a uschovať!	SLOVENSKY	48
Dane techniczne, Specjalne zalecenia dotyczące bezpieczeństwa, Użytkowanie zgodne z przeznaczeniem, Świadectwo zgodności ce, Podłączenie do sieci, Gwarancja, Symboly	Prosimy o uważne przeczytanie i przestrzeganie zaleceń zamie szczepionych w tej instrukcji.	POLSKI	50
Műszaki adatok, Különleges biztonsági tudnivalók, Rendeltetésszerű használat, Ce-azonossági nyilatkozat, Hálózati csatlakoztatás, Karbantartás, Szimbólumok	Olvassa el és őrizze meg	MAGYAR	52
Tehnični podatki, Specialni varnostni napotki, Uporaba v skladu z namembnostjo, Ce-izjava o konformnosti, Omrežni priključek, Vzdrževanje, Simboli	Prosimo preberite in shranite!	SLOVENSKO	54
Tehnički podaci, Specijalne sigurnosne upute, Propisna upotreba, CE-Izjava konformnosti, Priključak na mrežu, Održavanje, Simboli	Molimo pročitati i sačuvati	HRVATSKI	56
Tehniskie dati, Speciālie drošības noteikumi, Noteikumiem atbilstošs izmantojums, Atbilstība CE normām, Tīkla pieslēgums, Apkope, Simboli	Pielikums lietošanas pamācībai	LATVISKI	58
Techiniai duomenys, Ypatingos saugumo nuorodos, Naudojimas pagal paskirtį, CE Atitikties pareiškimas, Elektros tinklo jungtis, Techninis aptarnavimas, Simboliai	Prašome perskaityti ir neišmesti!	LIETUVIŠKAI	60
Tehnilised andmed, Spetsiaalsed turvajuhised, Kasutamine vastavalt otstarbele, EU Vastavusavaldus, Võrku ühendamine, Hooldus, Sümbolid	Palun lugege läbi ja hoidke alati!	EESTI	62
Технические данные, Важные инструкции по технике безопасности, Использование, Декларация о соответствии стандартам ес, Подключение к электросети, Обслуживание, Символы	Пожалуйста прочтите и сохраните эту инструкцию.	РУССКИЙ	64
Технически данни, Важни инструкции за безопасност, Използване по предназначение, Се - декларация за съответствие, Защита на двигателя в зависимост от отоварването, Поддръжка, Символи	Моля прочетете и запазете!	БЪЛГАРСКИ	66
Date tehnice, Instrucțiuni de securitate, Condiții de utilizare specificate, Declarație de conformitate, Alimentare de la rețea, Intreținere, Simboluri	Va rugăm citiți și păstrați aceste instrucțiuni	ROMÂNIA	68
Технички Податоци, Упатство За Употреба, Специфицирани Услови На Употреба, Еу-декларација За Сообразност, Главни Врски, Одржување, Символи	Ве молиме прочитајте го и чувајте го ова упатство!	МАКЕДОНСКИ	70
技术数据, 特殊安全指示, 正确地使用机器, 欧洲安全规定说明, 电源插头, 维修, 符号	请仔细阅读并妥善保存!	中文	72



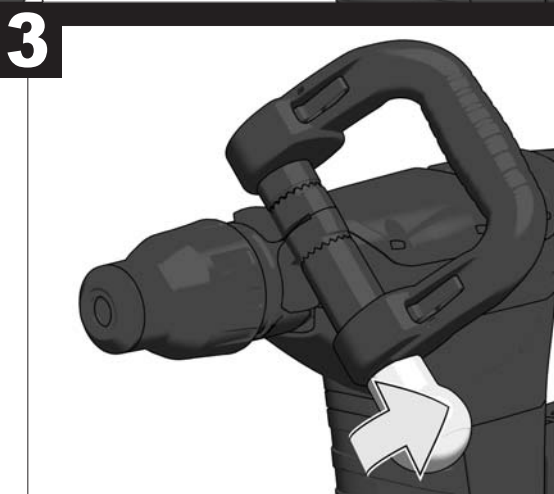
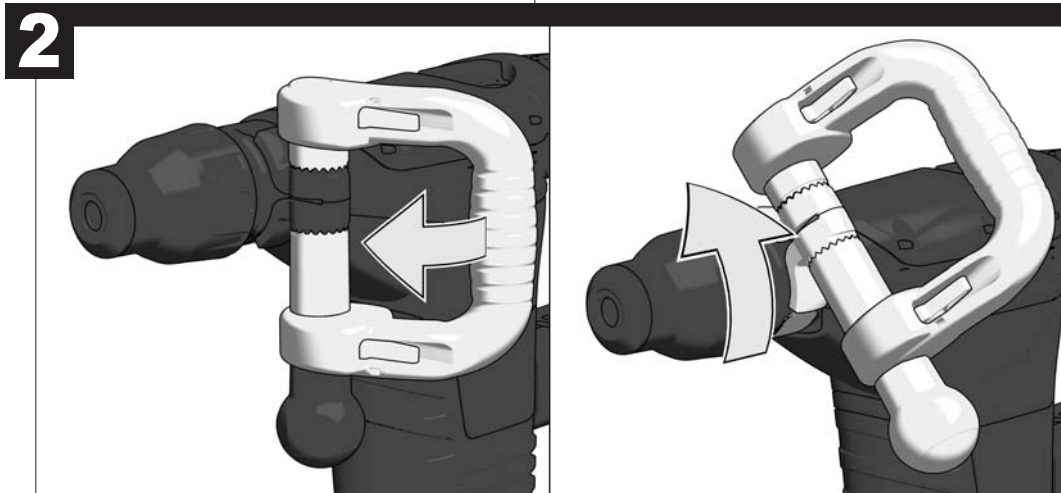
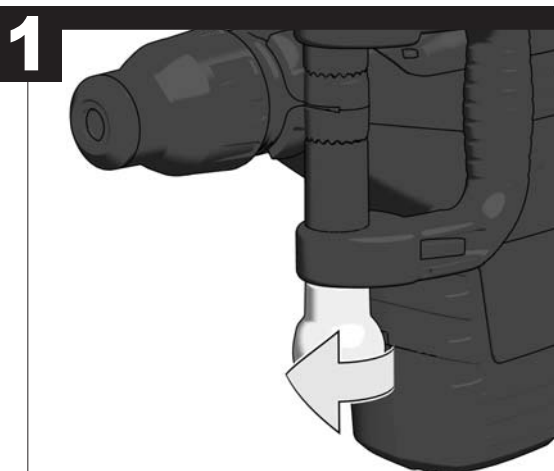


TEST

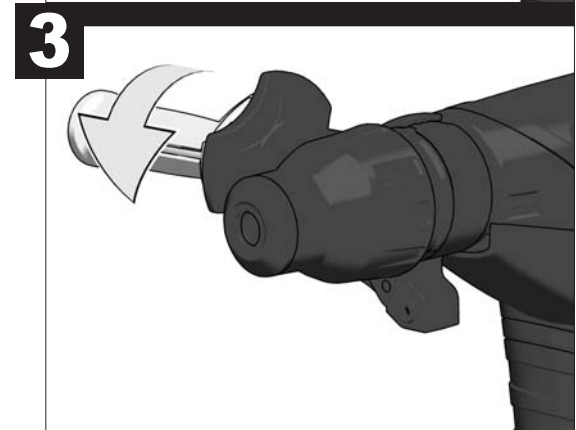
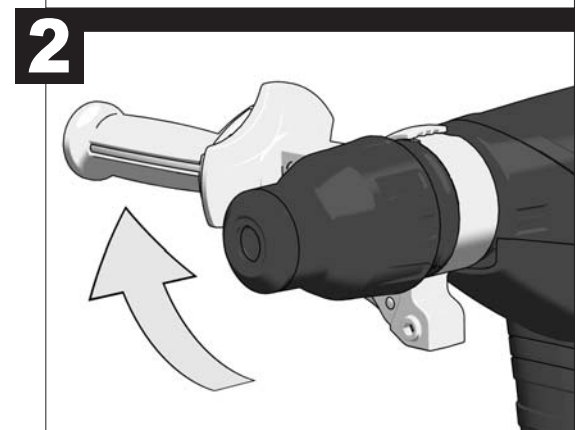
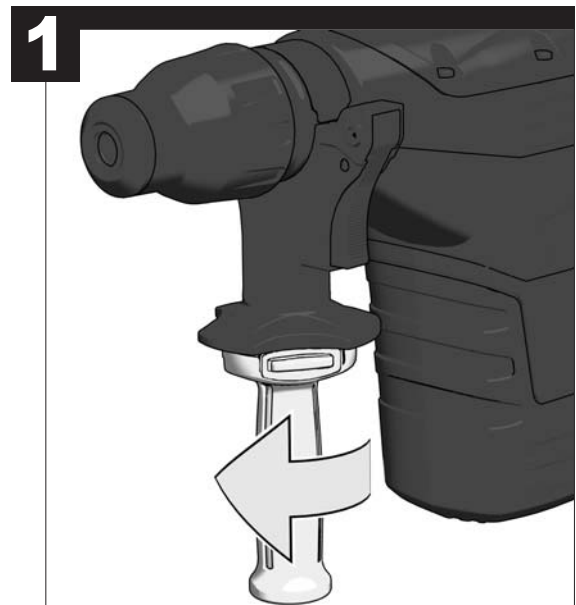


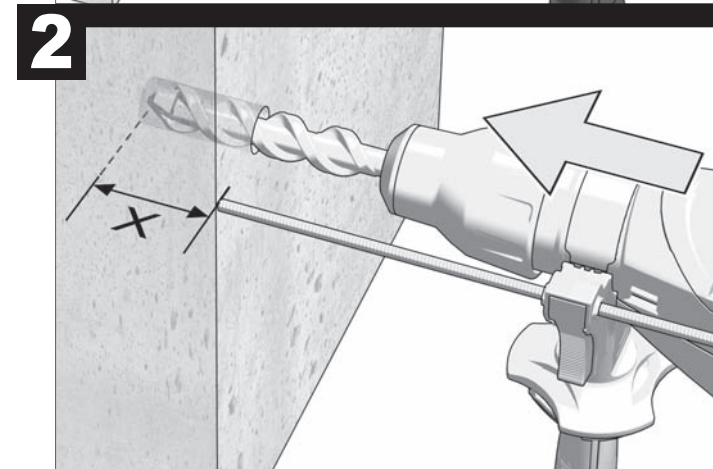
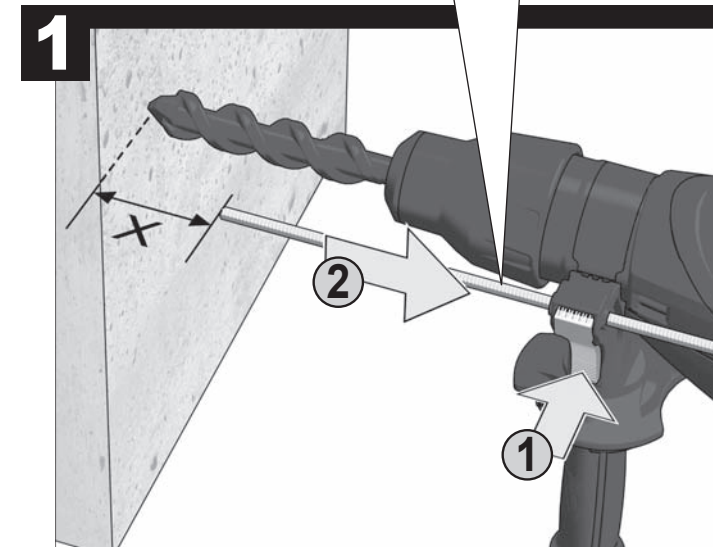
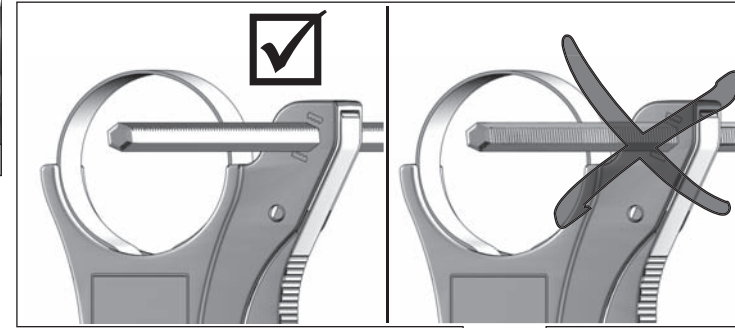
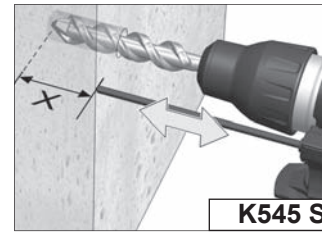
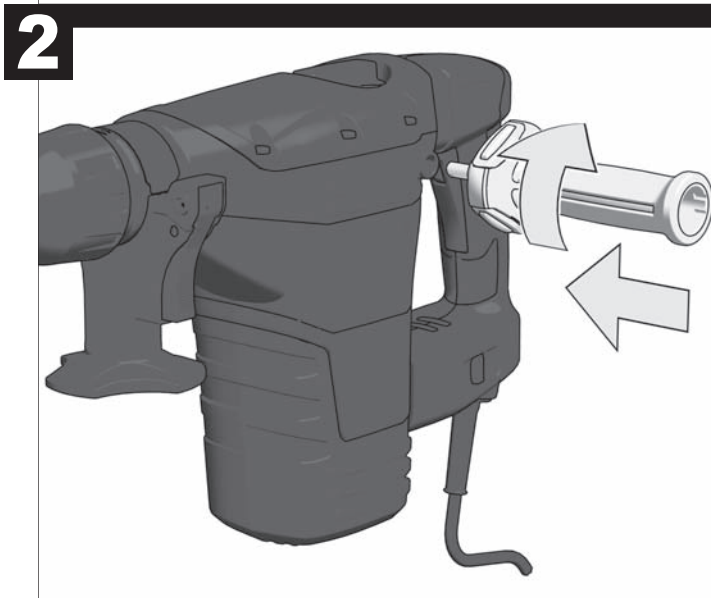
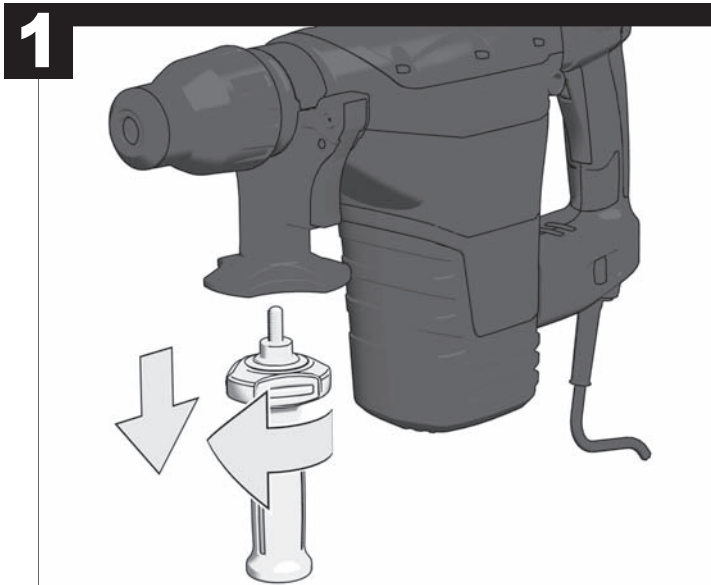


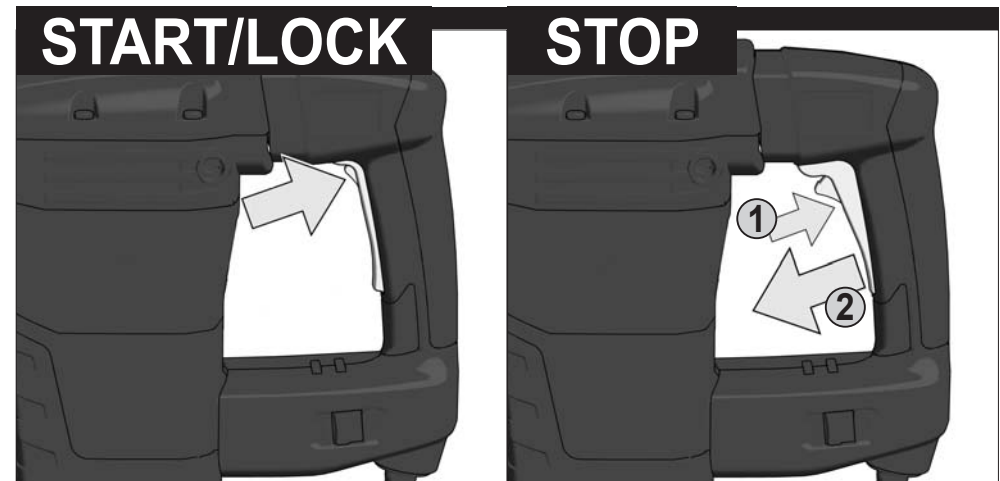
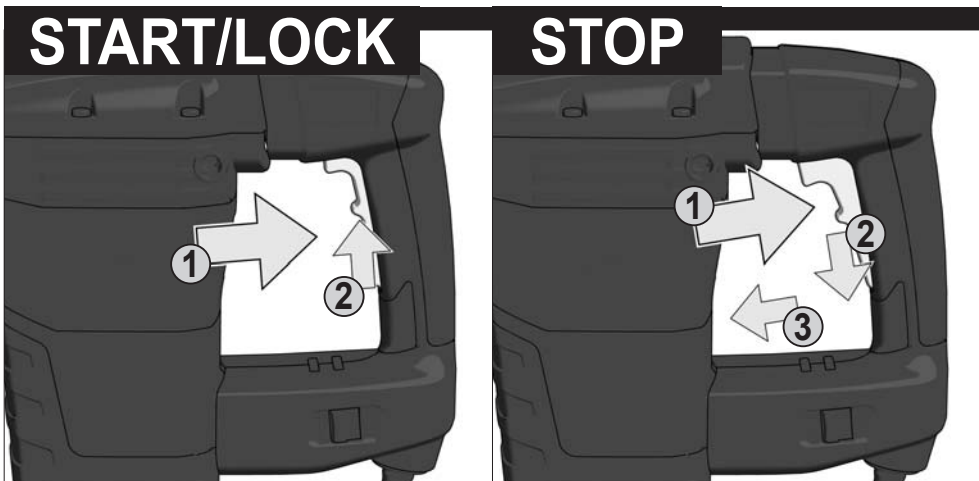
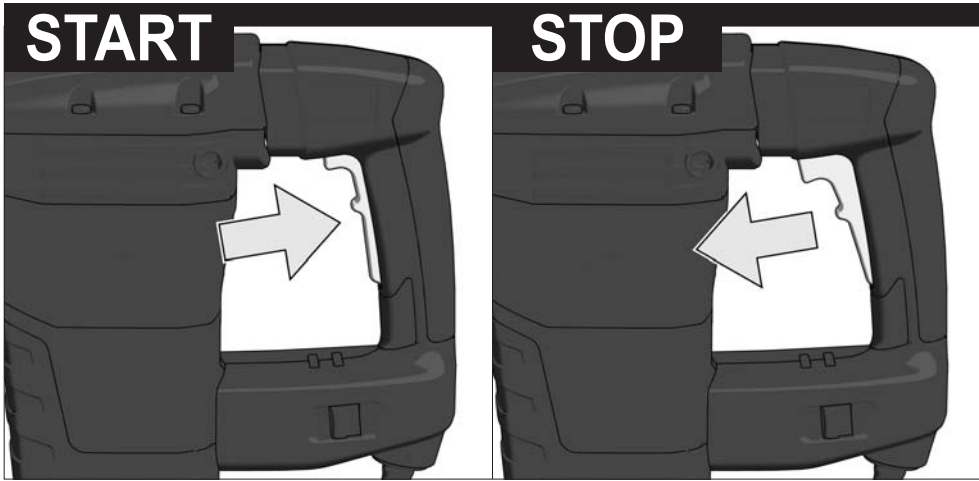
K500 S

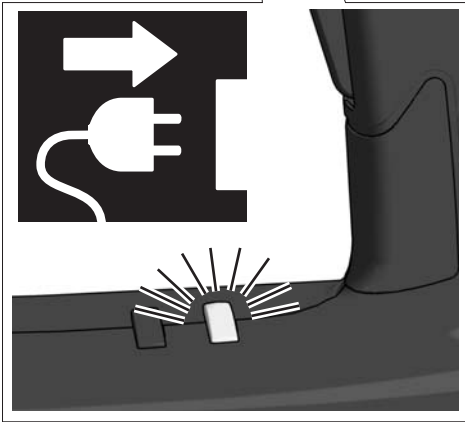
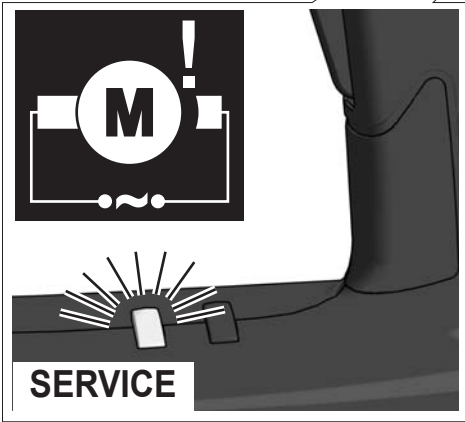
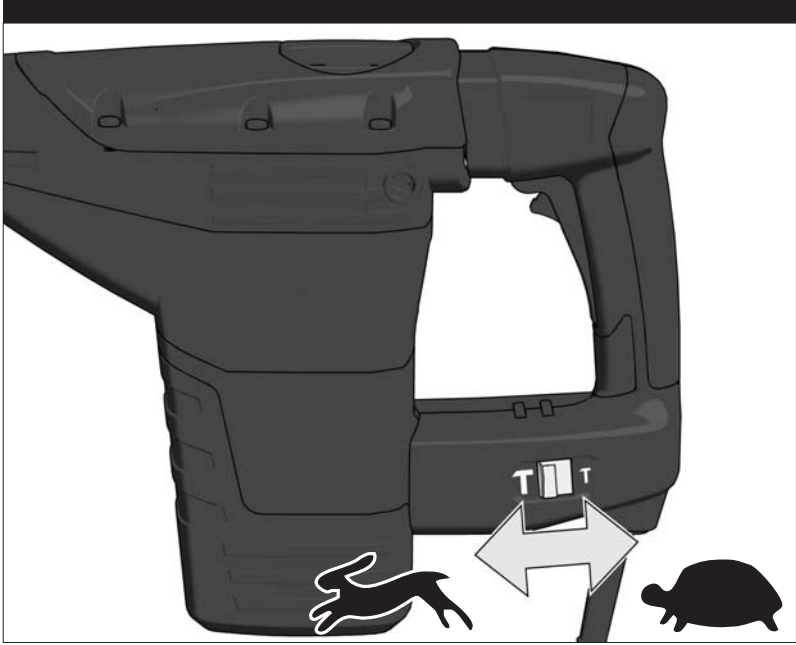
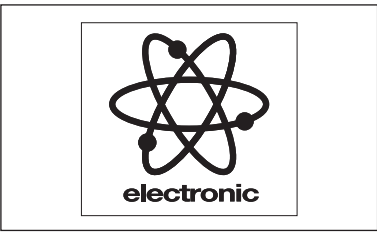


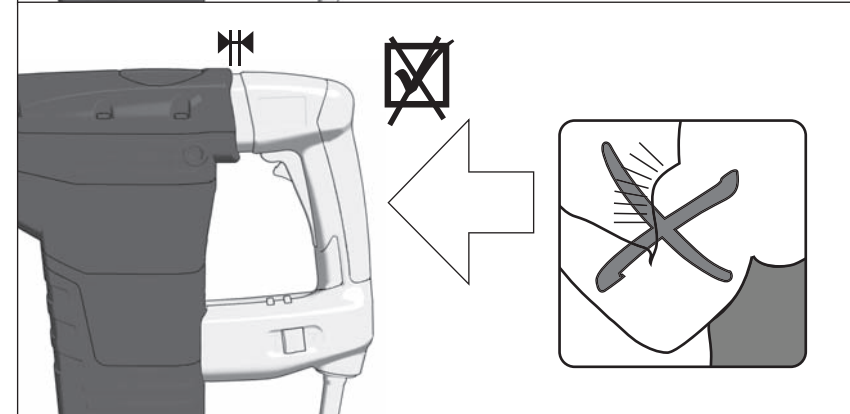
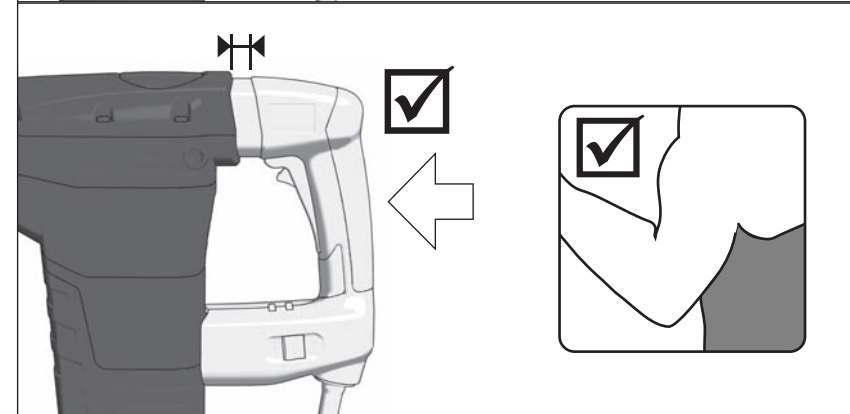
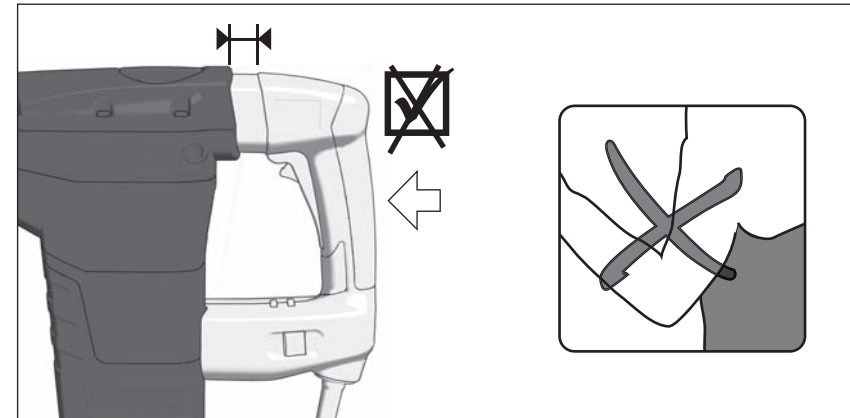
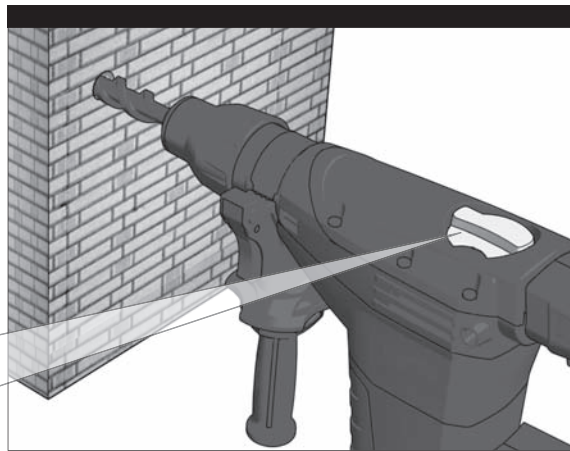
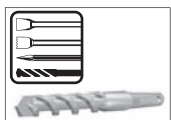
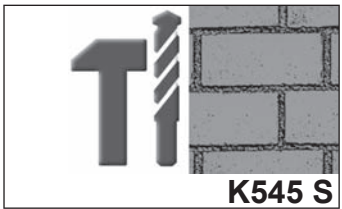
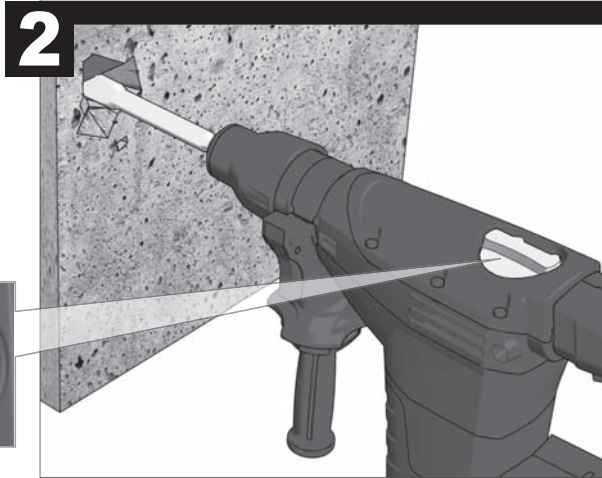
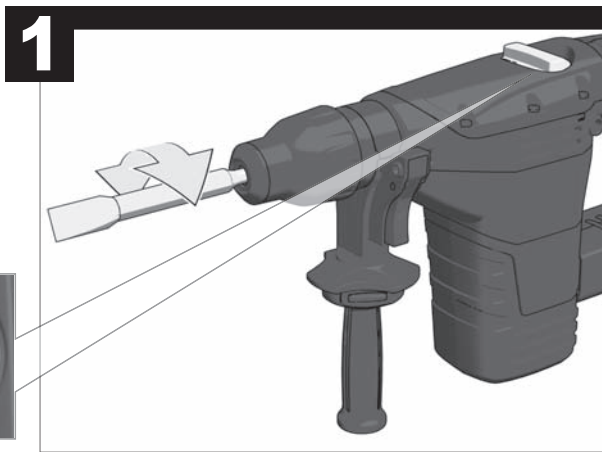
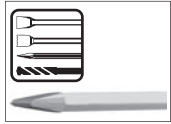
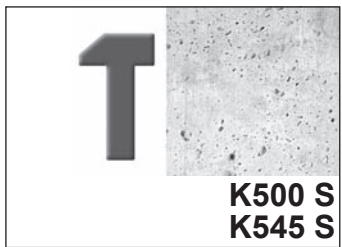
K545 S

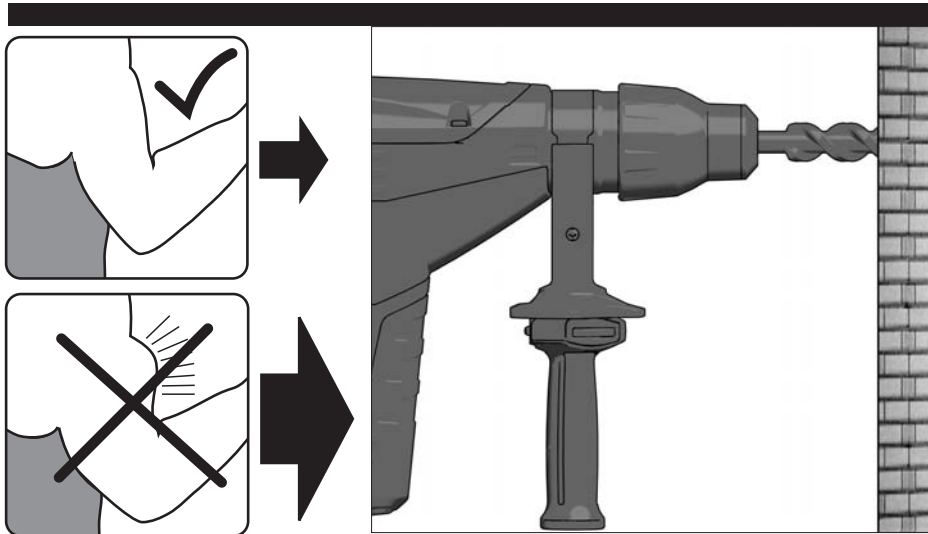
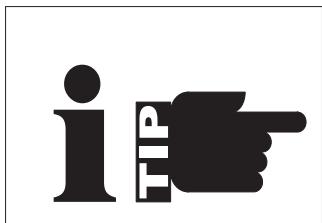












TECHNICAL DATA	K500 S	K545 S
Production code.....	4421 66 01...	4422 01 01...
.....	4421 58 01...	4421 96 01...
.....	4326 06 01...	4324 51 01...
.....	4077 95 01...	4260 25 01...
.....	4078 00 01...	4260 15 01...
.....	..000001-999999	..000001-999999
Rated input.....	1300 W.....	1300 W
Output.....	650 W.....	650 W
No-load speed.....	300 min ⁻¹	300 min ⁻¹
Speed under load max.....	300 min ⁻¹	300 min ⁻¹
Rate of percussion under load max.....	2840 min ⁻¹	2840 min ⁻¹
Impact energy per stroke according to EPTA-Procedure 05/2009.....	8,5 J	8,5 J
Drilling capacity in concrete.....	45 mm	45 mm
Tunnel bit in concrete, bricks and limestone.....	65 mm	65 mm
Core cutter in concrete, bricks and limestone.....	100 mm	100 mm
Chuck neck diameter.....	66 mm	66 mm
Weight according EPTA-Procedure 01/2003.....	6,3 kg	6,7 kg

Noise Information K545 S

Measured values determined according to EN 60 745.

Typically, the A-weighted noise levels of the tool are:

Sound pressure level (Uncertainty K=3dB(A)).....	98,5 dB (A)
Sound power level (Uncertainty K=3dB(A)).....	109,5 dB (A)

Wear ear protectors!

Noise Information K500 S

Typically the A-weighted sound pressure level of the

tool is 91 dB (A)

Measured values determined according to 2005/88/EG at the user's ear.

2005/88/EC: Conformity assessment procedure according to Annex

VI. Notified Body:

VDE Testing and Certification Institute, Merianstr. 28,

63069 Offenbach, Germany

Measured sound power level 101 dB (A)

Guaranteed sound power level 104 dB (A)

Wear ear protectors!

Vibration information

Vibration total values (triaxial vector sum) determined according to

EN 60745

Hammer-drilling in concrete:

Vibration emission value a_h 11,5 m/s²

Uncertainty K= 1,5 m/s²

Chiselling

Vibration emission value a_h 11,5 m/s² 9 m/s²

Uncertainty K= 1,9 m/s² 1,9 m/s²

WARNING

The vibration emission level given in this information sheet has been measured in accordance with a standardised test given in EN 60745 and may be used to compare one tool with another. It may be used for a preliminary assessment of exposure.

The declared vibration emission level represents the main applications of the tool. However if the tool is used for different applications, with different accessories or poorly maintained, the vibration emission may differ. This may significantly increase the exposure level over the total working period.

An estimation of the level of exposure to vibration should also take into account the times when the tool is switched off or when it is running but not actually doing the job. This may significantly reduce the exposure level over the total working period.

Identify additional safety measures to protect the operator from the effects of vibration such as: maintain the tool and the accessories, keep the hands warm, organisation of work patterns.

⚠ WARNING! Read all safety warnings and all instructions.

Failure to follow the warnings and instructions may result in electric shock, fire and/or serious injury.

Save all warnings and instructions for future reference.

⚠ Rotary Hammer safety warnings

Wear ear protectors when impact drilling. Exposure to noise can cause hearing loss.

Use auxiliary handle(s), if supplied with the tool. Loss of control can cause personal injury.

Hold the power tool by insulated gripping surfaces only, when performing an operation where the cutting accessory may contact hidden wiring or its own cord. Cutting accessory contacting a "live" wire may make exposed metal parts of the power tool "live" and could give the operator an electric shock.

Additional Safety and Working Instructions

Use protective equipment. Always wear safety glasses when working with the machine. The use of protective clothing is recommended, such as dust mask, protective gloves, sturdy non-slip footwear, helmet and ear defenders.

The dust produced when using this tool may be harmful to health. Do not inhale the dust. Wear a suitable dust protection mask.

Do not machine any materials that present a danger to health (e.g. asbestos).

Switch the device off immediately if the insertion tool stalls! Do not switch the device on again while the insertion tool is stalled, as doing so could trigger a sudden recoil with a high reactive force. Determine why the insertion tool stalled and rectify this, paying heed to the safety instructions.

The possible causes may be:

- it is tilted in the workpiece to be machined
- it has pierced through the material to be machined
- the power tool is overloaded

Do not reach into the machine while it is running.

The insertion tool may become hot during use.

WARNING! Danger of burns

- when changing tools
- when setting the device down

Chips and splinters must not be removed while the machine is running.

Keep mains lead clear from working range of the machine. Always lead the cable away behind you.

When working in walls ceiling, or floor, take care to avoid electric cables and gas or waterpipes.

Clamp your workpiece with a clamping device. Unclamped workpieces can cause severe injury and damage.

Always disconnect the plug from the socket before carrying out any work on the machine.

When working with large drill diameters, the auxiliary handle must be fastened in a right angle with the main handle (see illustrations, section "Twisting the handle").

SPECIFIED CONDITIONS OF USE

K545 S: The pneumatic hammer can be universally used for hammer drilling and chiselling in stone and concrete.

K500 S: The hammer can be used for chiselling in stone and concrete.

Do not use this product in any other way as stated for normal use.

EC-DECLARATION OF CONFORMITY

We declare under our sole responsibility that the product described under "Technical Data" fulfils all the relevant provisions of the directives 2011/65/EU (RoHS), 2004/108/EC, 2006/42/EC and the following harmonized standards have been used:

EN 60745-1:2009 + A11:2010

EN 60745-2-6:2010

EN 55014-1:2006 + A1:2009 + A2:2011

EN 55014-2:1997 + A1:2001 + A2:2008

EN 61000-3-2:2006 + A1:2009 + A2:2009

EN 61000-3-3:2008

EN 50581:2012

Winnenden, 2014-07-08

Alexander Krug

Alexander Krug
Managing Director



Authorized to compile the technical file

Techtronic Industries GmbH

Max-Eyth-Straße 10

71364 Winnenden

Germany

MAINS CONNECTION

Appliances used at many different locations including wet room and open air must be connected via a residual current device (FI, RCD, PRCD) of 30mA or less.

Connect only to single-phase AC current and only to the system voltage indicated on the rating plate. It is also possible to connect to sockets without an earthing contact as the design conforms to safety class II.

Make sure the machine is switched off before plugging in.

This is a device for professional use which may slightly exceed the guide values for current harmonics when it is connected to the public low voltage mains supply. You should therefore contact your

energy supply company before you connect the device to the public low voltage mains supply.

MAINTENANCE

The ventilation slots of the machine must be kept clear at all times.

Important note! If the carbon brushes are worn, in addition to exchanging the brushes the tool should be sent to after-sales service. This will ensure long service life and top performance.

If the supply cord of this appliance is damaged, it must only be replaced by a repair shop appointed by the manufacturer, to avoid hazardous situations.

Use only Milwaukee accessories and spare parts. Should components need to be replaced which have not been described, please contact one of our Milwaukee service agents (see our list of guarantee/service addresses).

If needed, an exploded view of the tool can be ordered. Please state the Article No. as well as the machine type printed on the label and order the drawing at your local service agents or directly at: Techtronic Industries GmbH, Max-Eyth-Straße 10, 71364 Winnenden, Germany.

SYMBOLS



CAUTION! WARNING! DANGER!



Always disconnect the plug from the socket before carrying out any work on the machine.



Please read the instructions carefully before starting the machine.



Accessory - Not included in standard equipment, available as an accessory.



Do not dispose of electric tools together with household waste material. Electric tools and electronic equipment that have reached the end of their life must be collected separately and returned to an environmentally compatible recycling facility. Check with your local authority or retailer for recycling advice and collection point.



Class II tool, tool in which protection against electric shock does not rely on basic insulation only, but in which additional safety precautions, such as double insulation or reinforced insulation, are provided.

There being no provision for protective earthing or reliance upon installation conditions.



European Conformity Mark



Regulatory Compliance Mark (RCM). Product meets applicable regulatory requirements.



EurAsian Conformity Mark.

TECHNISCHE DATEN	K500 S	K545 S
Produktionsnummer	4421 66 01...	4422 01 01...
.....	4421 58 01...	4421 96 01...
.....	4326 06 01...	4324 51 01...
.....	4077 95 01...	4260 25 01...
.....	4078 00 01...	4260 15 01...
.....	..000001-999999	..000001-999999
Nennleistungsaufnahme.....	1300 W.....	1300 W
Abgabeleistung.....	650 W.....	650 W
Leerlaufdrehzahl.....	300 min ⁻¹	300 min ⁻¹
Lastdrehzahl max.....	300 min ⁻¹	300 min ⁻¹
Lastschlagzahl max.....	2840 min ⁻¹	2840 min ⁻¹
Einzelschlagstärke entsprechend EPTA-Procedure 05/2009	8,5 J	8,5 J
Bohr-Ø in Beton	45 mm	45 mm
Tunnelbohrer in Beton, Ziegel und Kalksandstein.....	65 mm	65 mm
Hohlbohrkrone in Beton, Ziegel und Kalksandstein.....	100 mm	100 mm
Spannhals-Ø	66 mm	66 mm
Gewicht nach EPTA-Prozedur 01/2003.....	6,3 kg	6,7 kg

Geräuschinformationen K545 S

Messwerte ermittelt entsprechend EN 60 745.

Der A-bewertete Geräuschpegel des Gerätes beträgt typischerweise:

Schalldruckpegel (Unsicherheit K=3dB(A)).....	98,5 dB (A)
Schalleistungspegel (Unsicherheit K=3dB(A)).....	109,5 dB (A)

Gehörschutz tragen!

Geräuschinformationen K500 S

Der A-bewertete Schalldruckpegel des Gerätes beträgt

typischerweise 91 dB (A)

Messwert ermittelt entsprechend 2005/88/EG am Ohr des Anwenders.

2005/88/EG: Konformitätsbewertungsverfahren nach Anhang VI.

Benannte Stelle: VDE Prüf- und Zertifizierungsinstitut, Merianstr. 28, 63069 Offenbach, Germany

Gemessener Schalleistungspegel..... 101 dB (A)

Garantierter Schalleistungspegel..... 104 dB (A)

Gehörschutz tragen!

Vibrationsinformationen

Schwingungsgesamtwerte (Vektorsumme dreier Richtungen) ermittelt entsprechend EN 60745.

Hammerbohren in Beton:

Schwingungsemissionswert a_h.....11,5 m/s²

Unsicherheit K=..... 1,5 m/s²

Meißeln

Schwingungsemissionswert a_h.....11,5 m/s²..... 9 m/s²

Unsicherheit K=..... 1,9 m/s²..... 1,9 m/s²

WARNUNG

Der in diesen Anweisungen angegebene Schwingungspegel ist entsprechend einem in EN 60745 genormten Messverfahren gemessen worden und kann für den Vergleich von Elektrowerkzeugen miteinander verwendet werden. Er eignet sich auch für eine vorläufige Einschätzung der Schwingungsbelastung.

Der angegebene Schwingungspegel repräsentiert die hauptsächlichen Anwendungen des Elektrowerkzeugs. Wenn allerdings das Elektrowerkzeug für andere Anwendungen, mit abweichenden Einsatzwerkzeugen oder ungenügender Wartung eingesetzt wird, kann der Schwingungspegel abweichen. Dies kann die Schwingungsbelastung über den gesamten Arbeitszeitraum deutlich erhöhen.

Für eine genaue Abschätzung der Schwingungsbelastung sollten auch die Zeiten berücksichtigt werden, in denen das Gerät abgeschaltet ist oder zwar läuft, aber nicht tatsächlich im Einsatz ist. Dies kann die Schwingungsbelastung über den gesamten Arbeitszeitraum deutlich reduzieren.

Legen Sie zusätzliche Sicherheitsmaßnahmen zum Schutz des Bedieners vor der Wirkung von Schwingungen fest wie zum Beispiel: Wartung von Elektrowerkzeug und Einsatzwerkzeugen, Warmhalten der Hände, Organisation der Arbeitsabläufe.

⚠️ WARNUNG! Lesen Sie alle Sicherheitshinweise und Anweisungen. Versäumnisse bei der Einhaltung der Sicherheitshinweise und Anweisungen können elektrischen Schlag, Brand und/oder schwere Verletzungen verursachen.
Bewahren Sie alle Sicherheitshinweise und Anweisungen für die Zukunft auf.

⚠️ Sicherheitshinweise für Bohrhammer

Tragen Sie Gehörschutz beim Schlagbohren. Die Einwirkung von Lärm kann Gehörverlust bewirken.

Benutzen Sie die mit dem Gerät gelieferten Zusatzhandgriffe, wenn diese mitgeliefert werden. Der Verlust der Kontrolle kann zu Verletzungen führen.

Halten Sie das Elektrowerkzeug nur an den isolierten Griffflächen, wenn Sie Arbeiten ausführen, bei denen das Einsatzwerkzeug

verborgene Stromleitungen oder das eigene Netzkabel treffen kann. Der Kontakt mit einer spannungsführenden Leitung kann auch metallene Geräteteile unter Spannung setzen und zu einem elektrischen Schlag führen.

Weitere Sicherheits- und Arbeitshinweise

Schutzrüstung verwenden. Beim Arbeiten mit der Maschine stets Schutzbrille tragen. Schutzkleidung wie Staubschutzmaske, Schutzhandschuhe, festes und rutschsicheres Schuhwerk, Helm und Gehörschutz werden empfohlen.

Beim Arbeiten entstehender Staub ist oft gesundheitsschädlich und sollte nicht in den Körper gelangen. Geeignete Staubschutzmaske tragen.

Es dürfen keine Materialien bearbeitet werden, von denen eine Gesundheitsgefährdung ausgeht (z.B. Asbest).

Beim Blockieren des Einsatzwerkzeuges bitte das Gerät sofort ausschalten! Schalten Sie das Gerät nicht wieder ein, solange das Einsatzwerkzeug blockiert ist; hierbei könnte ein Rückschlag mit hohem Reaktionsmoment entstehen. Ermitteln und beheben Sie die Ursache für die Blockierung des Einsatzwerkzeuges unter Berücksichtigung der Sicherheitshinweise.

Mögliche Ursachen dafür können sein:

- Verkanten im zu bearbeitenden Werkstück
- Durchbrechen des zu bearbeitenden Materials
- Überlasten des Elektrowerkzeuges

Greifen Sie nicht in die laufende Maschine.

Das Einsatzwerkzeug kann während der Anwendung heiß werden.

WARNUNG! Verbrennungsgefahr

- bei Werkzeugwechsel
- bei Ablegen des Gerätes

Späne oder Splitter dürfen bei laufender Maschine nicht entfernt werden.

Anschlusskabel stets vom Wirkungsbereich der Maschine fernhalten. Kabel immer nach hinten von der Maschine wegführen.

Beim Arbeiten in Wand, Decke oder Fußboden auf elektrische Kabel, Gas- und Wasserleitungen achten.

Sichern Sie Ihr Werkstück mit einer Spannvorrichtung. Nicht gesicherte Werkstücke können schwere Verletzungen und Beschädigungen verursachen.

Vor allen Arbeiten an der Maschine Stecker aus der Steckdose ziehen.

Bei großen Bohrdurchmessern muss der Zusatzhandgriff rechtwinklig zum Haupthandgriff befestigt werden (siehe auch im Bildteil, Abschnitt "Handgriff verdrehen").

BESTIMMUNGSGEMÄÙE VERWENDUNG

K545 S: Der Bohrhammer ist universell einsetzbar zum Hammerbohren und Meißeln in Gestein und Beton.

K500 S: Der Meißelhammer ist einsetzbar zum Meißeln in Gestein und Beton.

Dieses Gerät darf nur wie angegeben bestimmungsgemäß verwendet werden.

CE-KONFORMITÄTserklärung

Wir erklären in alleiniger Verantwortung, dass das unter "Technische Daten" beschriebene Produkt mit alle relevanten Vorschriften der Richtlinie 2011/65/EU (RoHS), 2004/108/EG, 2006/42/EG und den folgenden harmonisierten normativen Dokumenten übereinstimmt:

EN 60745-1:2009 + A11:2010

EN 60745-2-6:2010

EN 55014-1:2006 + A1:2009 + A2:2011

EN 55014-2:1997 + A1:2001 + A2:2008

EN 61000-3-2:2006 + A1:2009 + A2:2009

EN 61000-3-3:2008

EN 50581:2012

Winnenden, 2014-07-08

Alexander Krug

Alexander Krug
Managing Director



Bevollmächtigt die technischen Unterlagen zusammenzustellen.

Techtronic Industries GmbH

Max-Eyth-Straße 10

71364 Winnenden

Germany

NETZANSCHLUSS

Steckdosen in Feuchträumen und Außenbereichen müssen mit Fehlerstrom-Schutzschaltern (FI, RCD, PRCD) ausgerüstet sein. Das verlangt die Installationsvorschrift für Ihre Elektroanlage. Bitte beachten Sie das bei der Verwendung unseres Gerätes.

Nur an Einphasen-Wechselstrom und nur an die auf dem Leistungsschild angegebene Netzspannung anschließen. Anschluss ist auch an

Steckdosen ohne Schutzkontakt möglich, da ein Aufbau der Schutzklasse II vorliegt.

Gerät nur ausgeschaltet an die Steckdose anschließen.

Dies ist ein Gerät zur professionellen Nutzung, das die Richtwerte für Stromobervellen beim Anschluss an das öffentliche Niederspannungsnetz geringfügig überschreiten kann. Kontaktieren Sie daher vor dem Anschluss des Gerätes an das öffentliche Niederspannungsnetz gegebenenfalls Ihr zuständiges Energieversorgungsunternehmen.

WARTUNG

Stets die Lüftungsschlitze der Maschine sauber halten.

Bei abgenutzten Kohlebürsten sollte zusätzlich zum Kohlebürstenwechsel ein Kundendienst in einer Servicewerkstatt durchgeführt werden. Dies erhöht die Lebensdauer der Maschine und garantiert eine ständige Betriebsbereitschaft.

Wenn die Netzanschlussleitung beschädigt ist, muss diese durch eine Kundendienststelle ausgewechselt werden, um Gefährdungen zu vermeiden.

Nur Milwaukee Zubehör und Ersatzteile verwenden. Bauteile, deren Austausch nicht beschrieben wurde, bei einer Milwaukee Kundendienststelle auswechseln lassen (Broschüre Garantie/ Kundendienstadressen beachten).

Bei Bedarf kann eine Explosionszeichnung des Gerätes unter Angabe der Maschinen Type und der sechsstelligen Nummer auf dem Leistungsschild bei Ihrer Kundendienststelle oder direkt bei Techtronic Industries GmbH, Max-Eyth-Straße 10, 71364 Winnenden, Germany angefordert werden.

SYMBOLE



ACHTUNG! WARNUNG! GEFAHR!



Vor allen Arbeiten an der Maschine Stecker aus der Steckdose ziehen.



Bitte lesen Sie die Gebrauchsanweisung vor Inbetriebnahme sorgfältig durch.



Zubehör - Im Lieferumfang nicht enthalten, empfohlene Ergänzung aus dem Zubehörprogramm.



Elektrogeräte dürfen nicht zusammen mit dem Hausmüll entsorgt werden. Elektrische und elektronische Geräte sind getrennt zu sammeln und zur umweltgerechten Entsorgung bei einem Verwertungsbetrieb abzugeben. Erkundigen Sie sich bei den örtlichen Behörden oder bei Ihrem Fachhändler nach Recyclinghöfen und Sammelstellen.



Elektrowerkzeug der Schutzklasse II. Elektrowerkzeug, bei dem der Schutz vor einem elektrischen Schlag nicht nur von der Basisisolierung abhängt, sondern auch davon, dass zusätzliche Schutzmaßnahmen, wie doppelte Isolierung oder verstärkte Isolierung, angewendet werden. Es gibt keine Vorrichtung zum Anschluss eines Schutzleiters.



CE-Zeichen



Regulatory Compliance Mark (RCM). Das Produkt erfüllt die geltenden Vorschriften.



EurAsian Konformitätszeichen.

CARACTÉRISTIQUES TECHNIQUES	K500 S	K545 S
Numéro de série	4421 66 01...	4422 01 01...
.....	4421 58 01...	4421 96 01...
.....	4326 06 01...	4324 51 01...
.....	4077 95 01...	4260 25 01...
.....	4078 00 01...	4260 15 01...
.....	..000001-999999	..000001-999999
Puissance nominale de réception.....	1300 W.....	1300 W
Puissance utile	650 W.....	650 W
Vitesse de rotation à vide	300 min ⁻¹	300 min ⁻¹
Vitesse de rotation en charge.....	300 min ⁻¹	300 min ⁻¹
Perçage à percussion charge max.....	2840 min ⁻¹	2840 min ⁻¹
Puissance de frappe individuelle suivant EPTA-Procédure 05/2009	8,5 J	8,5 J
Ø de perçage dans le béton.....	45 mm	45 mm
Foret dans le béton, la brique et la brique silico-calcaire	65 mm	65 mm
Couronne-trépan dans le béton, la brique et la brique silico-calcaire	100 mm	100 mm
Ø du collier de serrage.....	66 mm	66 mm
Poids suivant EPTA-Procédure 01/2003	6,3 kg	6,7 kg

Informations sur le bruit K545 S

Valeurs de mesure obtenues conformément à la EN 60 745.....
Les mesures réelles (A) des niveaux acoustiques de l'appareil sont

Niveau de pression acoustique (K=3 dB(A)).....	98,5 dB (A)
Niveau d'intensité acoustique (K=3 dB(A)).....	109,5 dB (A)

Toujours porter une protection acoustique!

Informations sur le bruit K500 S

La mesure réelle (A) du niveau de bruit de l'outil est 91 dB (A)

Valeur calculée conformément au procédé 2005/88/CE sur l'oreille de l'utilisateur

2005/88/EG: procédé d'évaluation de conformité selon l'annexe VI.

Service administratif cité: VDE Testing and Certification Institute, Merianstr. 28, 63069 Offenbach, Allemagne

Niveau de puissance acoustique mesuré	101 dB (A)
Niveau de puissance acoustique garanti	104 dB (A)

Toujours porter une protection acoustique!

Informations sur les vibrations

Valeurs totales des vibrations (somme vectorielle de trois sens) établies conformément à EN 60745.

Perçage à percussion le béton:

Valeur d'émission vibratoire a _v	11,5 m/s ²
Incertitude K=	1,5 m/s ²

Burinage

Valeur d'émission vibratoire a _v	11,5 m/s ²
Incertitude K=	1,9 m/s ²

AVERTISSEMENT

Le niveau vibratoire indiqué dans ces instructions a été mesuré selon un procédé de mesure normalisé dans la norme EN 60745 et peut être utilisé pour comparer des outils électriques entre eux. Il convient aussi à une estimation provisoire de la sollicitation par les vibrations.

Le niveau vibratoire indiqué représente les applications principales de l'outil électrique. Toutefois, si l'outil électrique est utilisé pour d'autres applications, avec des outils rapportés qui diffèrent ou une maintenance insuffisante, il se peut que le niveau vibratoire diverge. Cela peut augmenter nettement la sollicitation par les vibrations sur tout l'intervalle de temps du travail.

Pour une estimation précise de la sollicitation par les vibrations, on devrait également tenir compte des temps pendant lesquels l'appareil n'est pas en marche ou tourne sans être réellement en service. Cela peut réduire nettement la sollicitation par les vibrations sur tout l'intervalle de temps du travail.

Définissez des mesures de sécurité supplémentaires pour protéger l'utilisateur contre l'influence des vibrations, comme par exemple : la maintenance de l'outil électrique et des outils rapportés, le maintien au chaud des mains, l'organisation des déroulements de travail.

AVIS! Lire complètement les instructions et les indications de sécurité. Le non-respect des avertissements et instructions indiqués ci après peut entraîner un choc électrique, un incendie et/ou de graves blessures sur les personnes.
Bien garder tous les avertissements et instructions.

Indications de sécurité pour marteau perforateur

Porter un casque de protection au cours du perçage à percussion. L'exposition au bruit pourrait provoquer une diminution de l'ouïe.

Utilisez les poignées supplémentaires livrées en même temps que l'appareil. La perte de contrôle peut mener à des blessures.

Maintenez l'appareil par les surfaces de poignée isolées lorsque vous exécutez des travaux pendant lesquels l'outil de coupe peut toucher des lignes électriques dissimulées ou le propre câble. Le contact de l'outil de coupe avec un câble qui conduit la tension peut mettre les pièces métalliques de l'appareil sous tension et mener à une décharge électrique.

Avis complémentaires de sécurité et de travail

Utiliser l'équipement de protection. Toujours porter des lunettes de protection pendant le travail avec la machine. Il est recommandé de porter des articles de protection, tels que masque antipoussière, gants de protection, chaussures tenant bien aux pieds et antidérapantes, casque et protection acoustique.

Les poussières qui sont dégagées pendant les travaux sont souvent nocives pour la santé et ne devraient pas pénétrer dans le corps. Porter un masque de protection approprié contre les poussières.

Il est interdit de travailler des matériaux dangereux pour la santé (par ex. amiante).

Désactiver immédiatement le dispositif en cas de blocage ! Ne pas réactiver le dispositif avec l'outil bloqué; il y a le risque de provoquer un contre-coup avec moment de réaction élevé. Établir et éliminer la cause du blocage de l'outil en prêtant attention aux consignes de sécurité.

Les causes possibles sont :

- Encastrement dans la pièce à travailler.
- Le dispositif a traversé le matériau à travailler en le cassant.
- Le dispositif électrique a été surchargé.

Ne pas approcher les mains de la partie en mouvement de la machine.

Durant l'utilisation, l'outil peut se surchauffer.

AVERTISSEMENT! Danger de brûlures

- durant le remplacement de l'outil
- durant la dépose de l'outil

Ne jamais enlever les copeaux ni les éclats lorsque la machine est en marche.

Le câble d'alimentation doit toujours se trouver en dehors du champ d'action de la machine. Toujours maintenir le câble d'alimentation à l'arrière de la machine.

Lors du perçage dans les murs, les plafonds ou les planchers, toujours faire attention aux câbles électriques et aux conduites de gaz et d'eau.

Fixer fermement la pièce en exécution à l'aide d'un dispositif de serrage. Des pièces en exécution non fermement fixées peuvent provoquer des dommages et des lésions graves.

Avant tous travaux sur la machine extraire la fiche de la prise de courant.

Pour effectuer de grands diamètres de perçage, la poignée supplémentaire doit être montée perpendiculairement à la poignée principale. Voir aussi les figures se trouvant dans le chapitre « Ajustement de la poignée ».

UTILISATION CONFORME AUX PRESCRIPTIONS

K545 S: Le marteau-perforateur est conçu pour un travail universel de perçage à percussion et de burinage dans la maçonnerie et de béton.

K500 S: Le brise-béton peut-être utilisé pour de gros travaux de burinage dans la maçonnerie et de béton

Comme déjà indiqué, cette machine n'est conçue que pour être utilisée conformément aux prescriptions.

DECLARATION CE DE CONFORMITÉ

Nous déclarons sous notre propre responsabilité que le produit décrit aux "Données techniques" est conforme à toutes les dispositions des directives 2011/65/EU (RoHS), 2004/108/CE, 2006/42/CE et des documents normatifs harmonisés suivants:

EN 60745-1:2009 + A11:2010

EN 60745-2-6:2010

EN 55014-1:2006 + A1:2009 + A2:2011

EN 55014-2:1997 + A1:2001 + A2:2008

EN 61000-3-2:2006 + A1:2009 + A2:2009

EN 61000-3-3:2008

EN 50581:2012

Winnenden, 2014-07-08

Alexander Krug

Alexander Krug
Managing Director



Autorisé à compiler la documentation technique.

Techtronic Industries GmbH
Max-Eyth-Straße 10
71364 Winnenden
Germany

BRANCHEMENT SECTEUR

Les prises de courant se trouvant à l'extérieur doivent être équipées de disjoncteurs différentiel (FI, RCD, PRCD) conformément aux prescriptions de mise en place de votre installation électrique. Veuillez en tenir compte lors de l'utilisation de notre appareil.

Raccorder uniquement à un courant électrique monophasé et uniquement à la tension secteur indiquée sur la plaque signalétique. Le raccordement à des prises de courant sans contact de protection est également possible car la classe de protection II est donnée.

Ne relier l'appareil à la prise de courant que lorsqu'il est débranché.

Il s'agit ici d'un appareil pour l'utilisation professionnelle qui peut dépasser légèrement les valeurs de référence pour les ondes harmoniques du courant lors du branchement au réseau public de basse tension. C'est pourquoi vous devriez contacter le cas échéant votre entreprise compétente en matière d'approvisionnement en énergie avant de brancher l'appareil au réseau public de basse tension.

ENTRETIEN

Tenir toujours propres les orifices de ventilation de la machine.

Attention! Lorsque les balais (charbons) sont usés, il est recommandé de faire effectuer, outre le changement des balais (charbons), une inspection dans une station de service après-vente. Ceci augmente la durée de vie de la machine et garantit un fonctionnement permanent de la machine.

Si le câble de raccordement au réseau secteur est endommagé, celui-ci doit être remplacé par un centre de service après-vente, pour éviter les risques.

N'utiliser que des pièces et accessoires Milwaukee. Pour des pièces dont l'échange n'est pas décrit, s'adresser de préférence aux stations de service après-vente Milwaukee (voir brochure Garantie/Adresses des stations de service après-vente).

Si besoin est, une vue éclatée de l'appareil peut être fournie. S'adresser, en indiquant bien le numéro porté sur la plaque signalétique, à votre station de service après-vente (voir liste jointe) ou directement à Techtronic Industries GmbH, Max-Eyth-Straße 10, 71364 Winnenden, Germany.

SYMBÔLES



ATTENTION! AVERTISSEMENT! DANGER!



Avant tous travaux sur la machine extraire la fiche de la prise de courant.



Veuillez lire avec soin le mode d'emploi avant la mise en service



Accessoires - Ces pièces ne font pas partie de la livraison. Il s'agit là de compléments recommandés pour votre machine et énumérés dans le catalogue des accessoires.



Les dispositifs électriques ne sont pas à éliminer dans les déchets ménagers. Les dispositifs électriques et électroniques sont à collecter séparément et à remettre à un centre de recyclage en vue de leur élimination dans le respect de l'environnement. S'adresser aux autorités locales ou au détaillant spécialisé en vue de connaître l'emplacement des centres de recyclage et des points de collecte.



Outil électrique en classe de protection II. Outil électrique équipé d'une protection contre la fulguration électrique qui ne dépend seulement de l'isolation de base mais aussi de l'application d'autres mesures de protection telles qu'une double isolation ou une isolation augmentée. La connexion d'un conducteur de protection n'est pas prédisposée.



Marque CE



Regulatory Compliance Mark (RCM). Le produit est conforme aux prescriptions en vigueur.



Marque de qualité EurAsian

DATI TECNICI	K500 S	K545 S
Numero di serie	4421 66 01...	4422 01 01...
.....	4421 58 01...	4421 96 01...
.....	4326 06 01...	4324 51 01...
.....	4077 95 01...	4260 25 01...
.....	4078 00 01...	4260 15 01...
.....	..000001-999999	..000001-999999
Potenza assorbita nominale	1300 W	1300 W
Potenza erogata	650 W	650 W
Numero di giri a vuoto	300 min ⁻¹	300 min ⁻¹
Numero di giri a carico, max.	300 min ⁻¹	300 min ⁻¹
Percussione a pieno carico, max.	2840 min ⁻¹	2840 min ⁻¹
Forza colpo singolo corrispondente alla procedura EPTA 05/2009	8,5 J	8,5 J
Ø Foratura in calcestruzzo	45 mm	45 mm
Punte tunnel per calcestruzzo, mattoni, calcare	65 mm	65 mm
Punte corona per calcestruzzo, mattoni, calcare	100 mm	100 mm
Ø Collarino di fissaggio	66 mm	66 mm
Peso secondo la procedura EPTA 01/2003	6,3 kg	6,7 kg

Informazioni sulla rumorosità K545 S

Valori misurati conformemente alla norma EN 60 745.

La misurazione A del livello di pressione acustica dell'utensile è di solito di:

Livello di rumorosità (Incertezza della misura K=3dB(A))	98,5 dB (A)
Potenza della rumorosità (Incertezza della misura K=3dB(A))	109,5 dB (A)

Utilizzare le protezioni per l'udito!

Informazioni sulla rumorosità K500 S

La misurazione A della pressione del livello sonoro di un utensile di solito deve essere

Valori misurati conf. 2005/88/CE all'orecchio dell'utente.

2005/88/CE: Procedimento di valutazione della conformità conf. appendice VI.

Ufficio designato:

VDE Testing and Certification Institute, Merianstr. 28,

63069 Offenbach, Germania

Livello di potenza sonora misurato

Livello di potenza sonora garantito

Utilizzare le protezioni per l'udito!

Informazioni sulle vibrazioni

Valori totali delle oscillazioni (somma di vettori in tre direzionmisurati conformemente alla norma EN 60745

Forare in calcestruzzo:

Valore di emissione dell'oscillazione a_v

Incertezza della misura K=

Scalpellare

Valore di emissione dell'oscillazione a_v

Incertezza della misura K=

AVVERTENZA

Il livello di vibrazioni indicato nelle presenti istruzioni è stato misurato in conformità con un procedimento di misurazione codificato nella EN 60745 e può essere utilizzato per un confronto tra attrezzi elettrici. Inoltre si può anche utilizzare per una valutazione preliminare della sollecitazione da vibrazioni.

Il livello di vibrazioni indicato rappresenta le applicazioni principali dell'attrezzo elettrico. Se viceversa si utilizza l'attrezzo elettrico per altri scopi, con accessori differenti o con una manutenzione insufficiente, il livello di vibrazioni può risultare diverso. E questo può aumentare decisamente la sollecitazione da vibrazioni lungo l'intero periodo di lavorazione.

Ai fini di una valutazione precisa della sollecitazione da vibrazioni si dovrebbero tenere presente anche i periodi in cui l'apparecchio rimane spento oppure, anche se acceso, non viene effettivamente utilizzato. Ciò può ridurre notevolmente la sollecitazione da vibrazioni lungo l'intero periodo di lavorazione.

Stabilite misure di sicurezza supplementari per la tutela dell'operatore dall'effetto delle vibrazioni, come ad esempio: manutenzione dell'attrezzo elettrico e degli accessori, riscaldamento delle mani, organizzazione dei processi di lavoro.

AVVERTENZA! Leggere tutte le istruzioni ed indicazioni di sicurezza. In caso di mancato rispetto delle avvertenze di pericolo e delle istruzioni operative si potrà creare il pericolo di scosse elettriche, incendi e/o incidenti gravi.

Conservare tutte le avvertenze di pericolo e le istruzioni operative per ogni esigenza futura.

Indicazioni di sicurezza per martelli rotativi

Indossare cuffie protettive durante la trapanatura a percussione. L'esposizione al rumore potrebbe comportare una riduzione dell'udito.

Utilizzare l'utensile con la sua impugnatura supplementare. La perdita di controllo potrebbe causare danneggiamenti all'utilizzatore.

Impugnare l'apparecchio sulle superfici di tenuta isolate mentre si eseguono lavori durante i quali l'utensile da taglio potrebbe entrare

in contatto con cavi di corrente o con il proprio cavo d'alimentazione. L'eventuale contatto dell'utensile da taglio con un cavo sotto tensione potrebbe mettere sotto tensione le parti metalliche dell'apparecchio e provocare una folgorazione.

Ulteriori avvisi di sicurezza e di lavoro

Usare dispositivi di protezione. Durante il lavoro con la macchina bisogna sempre portare occhiali di protezione. Si consiglia di indossare indumenti di protezione come maschera antipolvere, guanti di protezione, scarpe antiscivolo robuste, casco e cuffie di protezione acustica.

La polvere che si produce durante il lavoro è spesso dannosa per la salute e non dovrebbe essere aspirata. Portare un'adeguata mascherina protettiva.

E' vietato lavorare materiali che possono costituire pericoli alla salute (ad es. amianto).

Spegnerne immediatamente il dispositivo in caso di bloccaggio! Non riaccendere il dispositivo fino a quando l'utensile ad inserto resta bloccato; esiste il rischio di causare un contraccolpo con elevato momento di reazione. Rilevare ed eliminare la causa del bloccaggio dell'utensile ad inserto tenendo conto delle indicazioni di sicurezza.

Le possibili cause sono:

- Incastro nel pezzo in lavorazione
- Il dispositivo ha attraversato il materiale da lavorare rompendolo
- Il dispositivo elettrico è stato sovraccaricato

Non avvicinare le mani alla parte della macchina in movimento.

Durante l'uso l'utensile ad inserto può surriscaldarsi.

AVVERTENZA! Pericolo di ustioni

- durante la sostituzione dell'utensile
- durante il deposito dell'utensile

Non rimuovere trucioli o schegge mentre l'utensile è in funzione.

Tenere sempre lontano il cavo di collegamento dall'area di lavoro dell'attrezzo.

Forando pareti, soffitti o pavimenti, si faccia attenzione ai cavi elettrici e alle condutture dell'acqua e del gas.

Fissare in sicurezza il pezzo in lavorazione con un dispositivo di serraggio. Pezzi in lavorazione che non siano fissati in sicurezza possono causare gravi lesioni e danni.

Prima di effettuare qualsiasi lavoro sulla macchina togliere la spina dalla presa di corrente.

Quando si lavora con punte di grande diametro, l'impugnatura supplementare deve essere ben fissata ad angolo retto con l'impugnatura principale (vedere figura Sezione "Inserire l'impugnatura").

UTILIZZO CONFORME

K545 S: Il martello perforatore è utilizzabile universalmente per forare a percussione, per scalpellare la pietra e cemento.

K500 S: Il martello può essere utilizzato per scalpellare la pietra e cemento.

Utilizzare il prodotto solo per l'uso per cui è previsto.

DICHIARAZIONE DI CONFORMITÀ CE

Dichiariamo sotto la nostra esclusiva responsabilità che il prodotto descritto ai "Dati tecnici" corrisponde a tutte le disposizioni delle direttive 2011/65/EU (RoHS), 2004/108/CE, 2006/42/CE e successivi documenti normativi armonizzati:

EN 60745-1:2009 + A1:2011

EN 60745-2-6:2010

EN 55014-1:2006 + A1:2009 + A2:2011

EN 55014-2:1997 + A1:2001 + A2:2008

EN 61000-3-2:2006 + A1:2009 + A2:2009

EN 61000-3-3:2008

EN 50581:2012

Winnenden, 2014-07-08

Alexander Krug

Alexander Krug
Managing Director



Autorizzato alla preparazione della documentazione tecnica

Techtronic Industries GmbH
Max-Eyth-Straße 10
71364 Winnenden
Germany

COLLEGAMENTO ALLA RETE

Gli apparecchi mobili usati all'apperto devono essere collegati interponendo un interruttore di sicurezza (FI, RCD, PRCD) per guasti di corrente.

Connettere solo corrente alternata mono fase e solo al sistema di voltaggio indicato sulla piastra. E' possibile anche connettere la presa

senza un contatto di messa a terra così come prevede lo schema conforme alla norme di sicurezza di classe II.

Inserire la spina nella presa di corrente solo ad apparecchio spento

Si tratta di un apparecchio per uso professionale che collegato alla rete elettrica pubblica a basso voltaggio può superare leggermente i valori di riferimento per le armoniche di corrente. Pertanto prima di collegare l'apparecchio alla rete elettrica pubblica a basso voltaggio contattare eventualmente la competente impresa erogatrice di energia elettrica.

MANUTENZIONE

Tener sempre ben pulite le fessure di ventilazione dell'apparecchio.

Informazione importante! Nel caso che il carboncino si sia consumato oltre il limite di sostituzione è necessario portare l'apparecchio ad un centro di assistenza, onde garantite la massima affidabilità ed efficienza dello stesso.

Se il cavo di allacciamento elettrico è danneggiato, deve essere immediatamente sostituito dal punto di servizio assistenza, perché allo scopo serve un utensile speciale.

Utilizzare esclusivamente accessori e pezzi di ricambio Milwaukee.

L'installazione di pezzi di ricambio non specificamente prescritti dall'Milwaukee va preferibilmente effettuata dal servizio di assistenza clienti Milwaukee (ved. opuscolo Garanzia/Indirizzi Assistenza tecnica).

In caso di mancanza del disegno esploso, può essere richiesto al seguente indirizzo: Techtronic Industries GmbH, Max-Eyth-Straße 10, 71364 Winnenden, Germany.

SIMBOLI



ATTENZIONE! AVVERTENZA! PERICOLO!



Prima di effettuare qualsiasi lavoro sulla macchina togliere la spina dalla presa di corrente.



Leggere attentamente le istruzioni per l'uso prima di mettere in funzione l'elettroscopio.



Accessorio - Non incluso nella dotazione standard, disponibile a parte come accessorio.



I dispositivi elettrici non devono essere smaltiti con i rifiuti domestici.

I dispositivi elettrici ed elettronici devono essere raccolti separatamente e devono essere conferiti ad un centro di riciclaggio per lo smaltimento rispettoso dell'ambiente.

Chiedere alle autorità locali o al rivenditore specializzato dove si trovano i centri di riciclaggio e i punti di raccolta.



Utensile elettrico di classe di protezione II. Utensile elettrico sul quale la protezione contro la folgorazione elettrica non dipende soltanto dall'isolamento di base, ma anche dall'applicazione di ulteriori misure di protezione, come il doppio isolamento o l'isolamento maggiorato. Non è predisposto il collegamento di un conduttore di protezione.



Marchio CE



Regulatory Compliance Mark (RCM). Il prodotto soddisfa le prescrizioni in vigore.



Marchio di conformità EurAsian

DATOS TÉCNICOS		K500 S	K545 S
Número de producción	4421 66 01...	4422 01 01...	4421 96 01...
.....	4421 58 01...	4421 96 01...	4421 96 01...
.....	4326 06 01...	4324 51 01...	4324 51 01...
.....	4077 95 01...	4260 25 01...	4260 25 01...
.....	4078 00 01...	4260 15 01...	4260 15 01...
.....	..000001-999999	..000001-999999	..000001-999999
Potencia de salida nominal.....	1300 W.....	1300 W	1300 W
Potencia entregada	650 W.....	650 W	650 W
Velocidad en vacío	300 min ⁻¹	300 min ⁻¹	300 min ⁻¹
Velocidades en carga max.....	300 min ⁻¹	300 min ⁻¹	300 min ⁻¹
Frecuencia de impactos bajo carga.....	2840 min ⁻¹	2840 min ⁻¹	2840 min ⁻¹
Energía por percusión según EPTA-Procedure 05/2009	8,5 J	8,5 J	8,5 J
Diámetro de taladrado en hormigón	45 mm	45 mm	45 mm
Brocas túnel en hormigón, ladrillo y arenisca.....	65 mm	65 mm	65 mm
Broca de corona en hormigón, ladrillo y arenisca	100 mm	100 mm	100 mm
Diámetro de cuello de amarre	66 mm	66 mm	66 mm
Peso de acuerdo con el procedimiento EPTA 01/2003	6,3 kg	6,3 kg	6,3 kg

Información sobre ruidos K545 S

Determinación de los valores de medición según norma EN 60 745.
El nivel de ruido típico del aparato determinado con un filtro A corresponde a:

Presión acústica (Tolerancia K=3dB(A))	98,5 dB (A)
Resonancia acústica (Tolerancia K=3dB(A)).....	109,5 dB (A)

Usar protectores auditivos!

Información sobre ruidos K500 S

La presión acústica se eleva normalmente 91 dB (A)

Valores medidos según norma 2005/88/EC al oído del usuario
2005/88/EC: procedimiento de conformidad según Anexo VI.

Organismo notificado:

VDE Testing and Certification Institute, Merianstr. 28,
63069 Offenbach, Alemania

Nivel de potencia sonora medido..... 101 dB (A)

Nivel de potencia sonora garantizado..... 104 dB (A)

Usar protectores auditivos!

Informaciones sobre vibraciones

Nivel total de vibraciones (suma vectorial de tres direcciones)
determinado según EN 60745.

Taladrar en hormigón:

Valor de vibraciones generadas a_v.....11,5 m/s²

Tolerancia K= 1,5 m/s²

Cincelar

Valor de vibraciones generadas a_v.....11,5 m/s²..... 9 m/s²

Tolerancia K= 1,9 m/s²..... 1,9 m/s²

ADVERTENCIA

El nivel vibratorio indicado en estas instrucciones ha sido medido conforme a un método de medición estandarizado en la norma EN 60745, y puede utilizarse para la comparación entre herramientas eléctricas. También es apropiado para una estimación provisional de la carga de vibración.

El nivel vibratorio indicado representa las aplicaciones principales de la herramienta eléctrica. Si, pese a ello, se utiliza la herramienta eléctrica para otras aplicaciones, con útiles adaptables diferentes o con un mantenimiento insuficiente, el nivel vibratorio puede diferir. Esto puede incrementar sensiblemente la carga de vibración durante todo el periodo de trabajo.

Para una estimación exacta de la carga de vibración deberían tenerse en cuenta también los tiempos durante los que el aparato está apagado o, pese a estar en funcionamiento, no está siendo realmente utilizado. Esto puede reducir sustancialmente la carga de vibración durante todo el periodo de trabajo.

Adopte medidas de seguridad adicionales para la protección del operador frente al efecto de las vibraciones, como por ejemplo: mantenimiento de la herramienta eléctrica y de los útiles adaptables, mantener las manos calientes, organización de los procesos de trabajo.

⚠ ATENCIÓN: Lea atentamente las indicaciones e instrucciones de seguridad.

En caso de no atenderse a las advertencias de peligro e instrucciones siguientes, ello puede ocasionar una descarga eléctrica, un incendio y/o lesión grave.

Guardar todas las advertencias de peligro e instrucciones para futuras consultas.

⚠ Instrucciones de seguridad para taladro de percusión

Utilice protectores de oídos al taladrar con percusión. La exposición a niveles de ruido excesivos puede causar la pérdida de audición.

Utilice las empuñaduras auxiliares suministradas con la herramienta! La pérdida de control de la herramienta puede causar accidentes

Sujete el aparato de las superficies aisladas de agarre al efectuar trabajos en los cuales la perforadora de percusión pueda entrar en contacto con conductores de corriente ocultos o con el propio cable.

El contacto de la perforadora de percusión con un conducto con energía

aplicada también podrá poner bajo tensión partes metálicas del aparato y causar un choque eléctrico.

Instrucciones adicionales de seguridad y laborales

Utilice el equipamiento de protección. Mientras trabaje con la máquina lleve siempre gafas protectoras. Se recomienda utilizar ropa de protección como máscara protectora contra el polvo, guantes protectores, calzado resistente y antideslizante, casco y protección para los oídos.

El polvo que se produce durante estos trabajos puede ser nocivo a la salud; es por ello es aconsejable que no penetre al cuerpo. Utilice por ello una máscara protectora contra polvo.

No se deben trabajar materiales que conlleven un riesgo para la salud (por ej. amianto).

¡En caso de que se bloquee el útil, el aparato se debe desconectar inmediatamente! No vuelva a conectar el aparato, mientras el útil esté

bloqueado; se podría producir un rechazo debido a la reacción de retroceso brusca. Averigüe y elimine la causa del bloqueo del útil, teniendo en cuenta las indicaciones de seguridad.

Causas posibles para ello pueden ser:

- Atascamiento o bloqueo en la pieza de trabajo
- Rotura del material con el que está trabajando
- Sobrecarga de la herramienta eléctrica

No introduzca las manos en la máquina mientras ésta se encuentra en funcionamiento.

El útil se puede calentar durante el uso.

ADVERTENCIAL Peligro de quemaduras

- en caso de cambiar la herramienta
- en caso de depositar el aparato

Nunca se debe intentar limpiar el polvo o viruta procedente del taladrado con la máquina en funcionamiento.

Mantener siempre el cable separado del radio de acción de la máquina.

Para trabajar en paredes, techo o suelo, tenga cuidado para evitar los cables eléctricos y tuberías de gas o agua.

Fije la pieza de trabajo con un dispositivo de fijación. Las piezas de trabajo no fijadas pueden causar lesiones graves y deterioros.

Desconecte siempre el enchufe antes de llevar a cabo cualquier trabajo en la máquina.

Cuando se trabaje en grandes diámetros, se debe colocar la empuñadura auxiliar en ángulo recto con respecto a la empuñadura principal (ver ilustración, sección "girar la empuñadura")

APLICACIÓN DE ACUERDO A LA FINALIDAD

K545 S: El martillo es utilizable para todo tipo de taladrados y cincelados en piedras y hormigón.

K500 S: El martillo es utilizable en trabajos de cincelados en piedras y hormigón.

No utilice este producto para ninguna otra aplicación que no sea su uso normal.

DECLARACION DE CONFORMIDAD CE

Declaramos bajo nuestra responsabilidad que el producto descrito bajo "Datos técnicos" está en conformidad con todas las normas relevantes de la directiva 2011/65/EU (RoHS), 2004/108/CE, 2006/42/CE y con las siguientes normas o documentos normalizados:

EN 60745-1:2009 + A11:2010

EN 60745-2-6:2010

EN 55014-1:2006 + A1:2009 + A2:2011

EN 55014-2:1997 + A1:2001 + A2:2008

EN 61000-3-2:2006 + A1:2009 + A2:2009

EN 61000-3-3:2008

EN 50581:2012

Winnenden, 2014-07-08

Alexander Krug

Alexander Krug
Managing Director



Autorizado para la redacción de los documentos técnicos.

Techtronic Industries GmbH

Max-Eyth-Straße 10

71364 Winnenden

Germany

CONEXIÓN ELÉCTRICA

Conecte siempre la máquina a una red protegida por interruptor diferencial y magnetotérmico (FI, RCD, PRCD), para su seguridad personal, según normas establecidas para instalaciones eléctricas de baja tensión.

Conectar solamente a corriente AC monofásica y sólo al voltaje indicado en la placa de características. También es posible la conexión a enchufes sin toma a tierra, dado que es conforme a la Clase de Seguridad II.

Asegurarse que la máquina está desconectada antes de enchufarla.

Este es un aparato destinado al empleo profesional el cual puede exeder ligeramente los valores orientativos para armónicas de corriente al efectuar la conexión del mismo a la red pública de baja tensión. Aconsejamos por ello ponerse en caso dado en contacto con la empresa de suministro de energía competente antes de conectar el aparato.

MANTENIMIENTO

Las ranuras de ventilación de la máquina deben estar despejadas en todo momento.

Cuando el martillo ha gastado las escobillas nunca se deberán sustituir: el martillo deberá ser enviado a un servicio técnico oficial para efectuarle un mantenimiento de servicio. De esta única manera queda garantizado el perfecto funcionamiento y duración de la máquina.

Si el cable de conexión a la red estuviera dañado, deberá ser sustituido en un punto de servicio técnico, para evitar situaciones de peligro.

Solo se deben utilizar accesorios y piezas de repuestos Milwaukee. Piezas cuyo recambio no está descrito en las instrucciones de uso, deben sustituirse en un centro de asistencia técnica Milwaukee (Consulte el folleto Garantía/Direcciones de Centros de Asistencia Técnica).

En caso necesario, puede solicitar un despiece de la herramienta. Por favor indique el número de impreso que hay en la etiqueta y pida el despiece a la siguiente dirección: Techtronic Industries GmbH, Max-Eyth-Straße 10, 71364 Winnenden, Germany.

SÍMBOLOS



¡ATENCIÓN! ¡ADVERTENCIA! ¡PELIGRO!



Desconecte siempre el enchufe antes de llevar a cabo cualquier trabajo en la máquina.



Lea las instrucciones detenidamente antes de conectar la herramienta



Accesorio - No incluido en el equipo estándar, disponible en la gama de accesorios.



Los aparatos eléctricos no se deben eliminar junto con la basura doméstica. Los aparatos eléctricos y electrónicos se deben recoger por separado y se deben entregar a una empresa de reciclaje para una eliminación respetuosa con el medio ambiente. Infórmese en las autoridades locales o en su tienda especializada sobre los centros de reciclaje y puntos de recogida.



Herramienta eléctrica de la clase de protección II. Herramientas eléctricas, en las que la protección contra un choque eléctrico no depende solamente del aislamiento básico sino también de la aplicación de medidas adicionales de protección, como doble aislamiento o aislamiento reforzado. No existe dispositivo para la conexión de un conductor protector.



Marca CE



Regulatory Compliance Mark (RCM). El producto cumple las normas vigentes



certificado EAC de conformidad

CARACTERÍSTICAS TÉCNICAS

	K500 S	K545 S
Número de produção.....	4421 66 01...	4422 01 01...
.....	4421 58 01...	4421 96 01...
.....	4326 06 01...	4324 51 01...
.....	4077 95 01...	4260 25 01...
.....	4078 00 01...	4260 15 01...
.....	..000001-999999	..000001-999999
Potência absorvida nominal	1300 W	1300 W
Potência de saída.....	650 W	650 W
Nº de rotações em vazio	300 min ⁻¹	300 min ⁻¹
Velocidade de rotação máxima em carga max.....	300 min ⁻¹	300 min ⁻¹
Frequência de percussão em carga.....	2840 min ⁻¹	2840 min ⁻¹
Força de impacto individual conforme EPTA-Procedure 05/2009	8,5 J	8,5 J
Ø de furo em betão	45 mm	45 mm
Brocas de coroa para tünéis para betão, tijolos e blocos sílico-calcário	65 mm	65 mm
Coroa dentada de perfurar para betão, tijolos e blocos sílico-calcário	100 mm	100 mm
Ø da gola de aperto	66 mm	66 mm
Peso nos termos do procedimento-EPTA 01/2003.....	6,3 kg	6,7 kg

Informações sobre ruído K545 S

Valores de medida de acordo com EN 60 745.

O nível de ruído avaliado A do aparelho é tipicamente:

Nível da pressão de ruído (Incertez K=3dB(A))	98,5 dB (A)
Nível da potência de ruído (Incertez K=3dB(A))	109,5 dB (A)

Use protectores auriculares!

Informações sobre ruído K500 S

Normalmente o nível de pressão de ruído da

ferramenta é 91 dB (A)

Valor de medição apurado em conformidade com 2005/88/CE junto ao ouvido do utilizador.

2005/88/CE: Procedimento de avaliação da conformidade nos

termos do Anexo VI. Organismo notificado:

VDE Testing and Certification Institute, Merianstr. 28,

63069 Offenbach, Germany

Nível de potência acústica medido 101 dB (A)

Nível de potência acústica garantido 104 dB (A)

Use protectores auriculares!

Informações sobre vibração

Valores totais de vibração (soma dos vectores das três direcções)

determinadas conforme EN 60745.

Furar em betão:

Valor de emissão de vibração a_v.....11,5 m/s²

Incerteza K=..... 1,5 m/s²

Trabalho de ponteira

Valor de emissão de vibração a_v.....11,5 m/s²..... 9 m/s²

Incerteza K=..... 1,9 m/s²..... 1,9 m/s²

ATENÇÃO

O nível vibratório indicado nestas instruções foi medido em conformidade com um procedimento de medição normalizado na EN 60745 e pode ser utilizado para comparar entre si ferramentas eléctricas. O mesmo é também adequado para avaliar provisoriamente o esforço vibratório.

O nível vibratório indicado representa as principais aplicações da ferramenta eléctrica. Se, no entanto, a ferramenta eléctrica for utilizada para outras aplicações, com outras ferramentas adaptadas ou uma manutenção insuficiente, o nível vibratório poderá divergir. Isto pode aumentar consideravelmente o esforço vibratório ao longo de todo o período do trabalho.

Para uma avaliação exacta do esforço vibratório devem também ser considerados os tempos durante os quais o aparelho está desligado ou está a funcionar, mas não está efectivamente a ser utilizado. Isto pode reduzir consideravelmente o esforço vibratório ao longo de todo o período do trabalho.

Defina medidas de segurança suplementares para proteger o operador do efeito das vibrações, como por exemplo: manutenção da ferramenta eléctrica e das ferramentas adaptadas, manter as mãos quentes, organização das sequências de trabalho.

⚠ ADVERTÊNCIA! Leia todas as instruções de segurança e todas as instruções. O desrespeito das advertências e instruções apresentadas abaixo pode causar choque eléctrico, incêndio e/ou graves lesões.

Guarde bem todas as advertências e instruções para futura referência.

⚠ Instruções de segurança para a martelo rotativo

Use uma protecção dos ouvidos ao usar o berbequim de percussão. Os ruídos podem causar surdez.

Sempre use os punhos adicionais fornecidos com o aparelho. A perda de controlo pode causar feridas.

Segure o aparelho nas superfícies de punho isoladas se estiver a executar trabalhos, nos quais a ferramenta de corte pode tocar

em linhas eléctricas escondidas ou no próprio cabo. O contacto da ferramenta de corte com uma linha sob tensão também pode colocar peças metálicas do aparelho sob tensão e levar a um choque eléctrico.

Instruções de segurança e trabalho suplementares

Utilizar equipamento de protecção. Durante os trabalhos com a máquina, usar sempre óculos de protecção. Vestuário de protecção, bem como máscara de pó, sapatos fechados e antiderrapante, capacete e protecção auditiva são recomendados.

O pó que resulta ao trabalhar pode ser nocivo para a saúde, por isso não devendo penetrar no corpo. Use uma máscara de protecção contra pó apropriada.

Não devem ser processados materiais que representem um perigo para a saúde (p. ex. asbesto).

Desligue o aparelho imediatamente, quando a ferramenta de inserção bloquear! Não ligue o aparelho novamente durante o bloqueio da ferramenta de inserção, pois isso pode levar a um recuo repentino com uma alta força reactiva. Verifique e elimine a causa do bloqueio da ferramenta de inserção, observando as instruções de segurança.

Causas possíveis podem ser:

- Emperramento na peça a trabalhar
- Material a processar rompido
- Sobrecarga da ferramenta eléctrica

Não toque na máquina em operação.

A ferramenta de inserção pode ficar quente durante a operação.

ATENÇÃO! Perigo de queimar-se

- na troca das ferramentas
- ao depositar o aparelho

Não remover aparas ou lascas enquanto a máquina trabalha.

Manter sempre o cabo de ligação fora da zona de acção da máquina.

Ao trabalhar em paredes, tectos e soalhos prestar atenção a que não sejam atingidos cabos eléctricos e canalizações de gás e água.

Fixe a peça a trabalhar com um dispositivo de fixação. Peças a trabalhar não fixadas podem levar a feridas graves e danos sérios.

Antes de efectuar qualquer intervenção na máquina, tirar a ficha da tomada.

No caso de grandes diâmetros de furo, o punho adicional tem que ser fixado perpendicularmente ao punho principal. Ver também na parte de imagens, secção "Rodar punho").

UTILIZAÇÃO AUTORIZADA

K545 S: O martelo electro-pneumático tem aplicação universal para trabalhos de furar com percussão e trabalhos de ponteira em pedra e betão.

K500 S: O martelo presta-se a trabalhos de ponteira em pedra e betão.

Não use este produto de outra maneira sem ser a normal para o qual foi concebido.

DECLARAÇÃO DE CONFORMIDADE CE

Declaramos sob responsabilidade exclusiva, que o produto descrito sob "Dados técnicos" corresponde com todas as disposições relevantes da diretiva 2011/65/EU (RoHS), 2004/108/CE, 2006/42/CE e dos seguintes documentos normativos harmonizados.

EN 60745-1:2009 + A11:2010

EN 60745-2-6:2010

EN 55014-1:2006 + A1:2009 + A2:2011

EN 55014-2:1997 + A1:2001 + A2:2008

EN 61000-3-2:2006 + A1:2009 + A2:2009

EN 61000-3-3:2008

EN 50581:2012

Winnenden, 2014-07-08



Alexander Krug
Managing Director



Autorizado a reunir a documentação técnica.

Techtronic Industries GmbH

Max-Eyth-Straße 10

71364 Winnenden

Germany

LIGAÇÃO À REDE

Aparelhos não estacionários, utilizados ao ar livre, devem ser protegidos por um disjuntor de corrente de defeito (FI, RCD, PRCD).

Só conectar à corrente alternada monofásica e só à tensão de rede indicada na placa de potência. A conexão às tomadas de rede sem contacto de segurança também é possível, pois trata-se duma construção da classe de protecção II.

Ao ligar o aspirador à rede, o interruptor deve encontrar-se na posição de desligado.

Este aparelho destina-se à utilização profissional e pode exceder um pouco os valores de orientação para ondas de corrente superiores na conexão à rede pública de baixa tensão. Por isso, eventualmente contacte a sua empresa de abastecimento de energia eléctrica competente antes de conectar o aparelho à rede pública de baixa tensão

MANUTENÇÃO

Manter desobstruídos os rasgos de ventilação na carcaça da máquina.

Se as escovas de carvão estão gastas, adicionalmente à mudança das mesmas e ferramenta deve ser submetida à assistência. Isto irá assegurar longo tempo de vida útil bem como constante prontidão da máquina para o trabalho.

Se o cabo de alimentação eléctrica estiver danificado, este deverá ser substituído junto de um serviço de assistência ao cliente dado, que será necessário utilizar ferramentas especiais.

Utilizar unicamente acessórios e peças sobressalentes da Milwaukee. Sempre que a substituição de um componente não tenha sido descrita nas instruções, será de toda a conveniência mandar executar esse trabalho a um Serviço de Assistência Milwaukee (veja o folheto Garantia/Endereços de Serviços de Assistência).

A pedido e mediante indicação da referência que consta da chapa de características da máquina, pode requerer-se um desenho explosivo da ferramenta eléctrica a: Techtronic Industries GmbH, Max-Eyth-Straße 10, 71364 Winnenden, Germany.

SYMBOLS



ATENÇÃO! PERIGO!



Antes de efectuar qualquer intervenção na máquina, tirar a ficha da tomada.



Leia atentamente o manual de instruções antes de colocar a máquina em funcionamento.



Acessório - Não incluído no equipamento normal, disponível como acessório.



Aparelhos eléctricos não devem ser jogados no lixo doméstico. Aparelhos eléctricos e electrónicos devem ser colectados separadamente e entregues a uma empresa de reciclagem para a eliminação correcta. Solicite informações sobre empresas de reciclagem e postos de colecta de lixo das autoridades locais ou do seu vendedor autorizado.



Ferramenta eléctrica da classe de protecção II. Ferramenta eléctrica, na qual a protecção contra choque eléctrico não só depende do isolamento básico, mas também da aplicação de medidas de protecção suplementares, como isolamento duplo ou reforçado. Não há um dispositivo para a conexão dum condutor de protecção.



Marca CE



Regulatory Compliance Mark (RCM). O produto satisfaz os regulamentos vigentes.



Marca de conformidade EurAsian.

TECHNISCHE GEGEVENS	K500 S	K545 S
Productienummer	4421 66 01.....	4422 01 01.....
.....	4421 58 01.....	4421 96 01.....
.....	4326 06 01.....	4324 51 01.....
.....	4077 95 01.....	4260 25 01.....
.....	4078 00 01.....	4260 15 01.....
.....	..000001-999999	..000001-999999
Nominaal afgegeven vermogen.....	1300 W.....	1300 W
Afgegeven vermogen	650 W.....	650 W
Onbelast toerental.....	300 min ⁻¹	300 min ⁻¹
Belast toerental.....	300 min ⁻¹	300 min ⁻¹
Aantal slagen belast max.....	2840 min ⁻¹	2840 min ⁻¹
Slagkracht overeenkomstig EPTA-Procedure 05/2009	8,5 J	8,5 J
Boor-Ø in beton.....	45 mm	45 mm
Tunnel bit in concrete, bricks and limestone	65 mm	65 mm
Core cutter in concrete, bricks and limestone	100 mm	100 mm
Spanhals-Ø	66 mm	66 mm
Gewicht volgens de EPTA-procedure 01/2003.....	6,3 kg	6,7 kg

Informatie over geluid K545 S

Meetwaarden vastgesteld volgens EN 60 745.

Het kenmerkende A-gewogen geluidsniveau van de machine bedraagt:

Geluidsdruk niveau (Onzekerheid K=3dB(A)).....	98,5 dB (A)
Geluidsvermogen niveau (Onzekerheid K=3dB(A)).....	109,5 dB (A)

Draag oorbeschermers!

Informatie over geluid K500 S

Het kenmerkende A-gewaardeerde geluidsdruk niveau van de machine bedraagt

91 dB (A)

Meetwaarden volgens 2005/88/EG, gemeten bij het oor van de gebruiker.

2005/88/EG: conformiteitsverklaring volgens in bijlage VI benoemd door:

VDE Testing and Certification Institute, Merianstr. 28, 63069 Offenbach, Duitsland.

Gemeten geluidsdruk niveau

Gegarandeerd geluidsdruk niveau

Draag oorbeschermers!

Trillingsinformatie

Totale trillingswaarden (vectorsom van drie richtingebepaald volgens EN 60745.

Hamerboren in beton:

Trillingsemisiewaarde a_w.....

Onzekerheid K=.....

Hakken

Trillingsemisiewaarde a_w.....

Onzekerheid K=.....

WAARSCHUWING

De in deze aanwijzingen vermelde trillingsdruk is gemeten volgens een in EN 60745 genormeerde meetmethode en kan worden gebruikt voor de onderlinge vergelijking van apparaten. Hij is ook geschikt voor een voorlopige inschatting van de trillingsbelasting.

De aangegeven trillingsdruk geldt voor de meest gebruikelijke toepassingen van het elektrische apparaat. Wanneer het elektrische gereedschap echter voor andere doeleinden, met andere dan de voorgeschreven hulpstukken gebruikt of niet naar behoren onderhouden wordt, kan de trillingsdruk afwijken. Dit kan de waarde van de trillingsdruk over de hele werkperiode aanzienlijk verhogen.

Voor een nauwkeurige inschatting van de trillingsdruk moeten ook de tijden in aanmerking worden genomen dat het apparaat uitgeschakeld is of weliswaar loopt, maar niet werkelijk in gebruik is. Dit kan de waarde van de trillingsdruk over de hele werkperiode aanzienlijk verminderen.

Bepaal extra veiligheidsmaatregelen ter bescherming van de bediener tegen de inwerking van trillingen, bijvoorbeeld: onderhoud van elektrische gereedschappen en apparaten, warmhouden van de handen, organisatie van de werkprocessen.

WAARSCHUWING! Lees alle veiligheidsinstructies en aanwijzingen. Als de waarschuwingen en voorschriften niet worden opgevolgd, kan dit een elektrische schok, brand of ernstig letsel tot gevolg hebben.

Bewaar alle waarschuwingen en voorschriften voor toekomstig gebruik.

Veiligheidsinstructies voor boorhamer

Draag gehoorbescherming tijdens het klopboren. Lawaai kan gehoorverlies veroorzaken.

Gebruik de bij de machine geleverde zijhandgreep. Verlies aan controle kan tot persoonlijk letsel leiden.

Houd het apparaat alléén aan de geïsoleerde grijpvlakken vast, wanneer u werkzaamheden uitvoert waarbij het snijgereedschap verborgen stroomleidingen of de eigen apparaatkabel zou kunnen raken. Het contact van het

snijgereedschap met een spanningvoerende leiding kan de metalen apparaatdelen onder spanning zetten en zo tot een elektrische schok leiden.

Verdere veiligheids- en werkinstructies

Draag veiligheidsuitrusting. Bij werkzaamheden met de machine dient u altijd een veiligheidsbril te dragen. Veiligheidskleding zoals stofmasker, veiligheidshandschoenen, stevig en slipvast schoeisel, helm en gehoorbescherming worden aanbevolen.

Het gedurende het werken vrijkomende stof is doorgaans schadelijk voor de gezondheid en mag niet met het lichaam in aanraking komen. Draag derhalve een geschikt stofbeschermsmasker.

Het is niet toegestaan, materialen te bewerken waarvan een gezondheidsgevaar uitgaat (bijv. asbest).

Schakel het apparaat onmiddellijk uit als het gereedschap blokkeert! Schakel het apparaat niet in zolang het gereedschap geblokkeerd is; dit zou een terugslag met een hoog reactiemoment kunnen veroorzaken. Achterhaal en verhelp de oorzaak voor de blokkering van het gereedschap met inachtneming van de veiligheidsinstructies.

Mogelijke oorzaken voor de blokkering:

- kantelen in het te bewerken werkstuk
- doorbreken van het te bewerken materiaal
- overbelasting van het elektrische gereedschap

Grijp niet in de lopende machine.

Het gereedschap kan heet worden tijdens het gebruik.

WAARSCHUWING! Gevaar voor verbranding

- bij het vervangen van het gereedschap
- bij het neerleggen van het apparaat

Spanen of splinters mogen bij draaiende machine niet worden verwijderd.

Snoer altijd buiten werkbereik van de machine houden.

Bij het werken in wanden, plafonds of vloeren oppassen voor elektriciteitsdraden, gas- of waterleidingen.

Borg uw werkstuk met behulp van een spaninrichting. Niet geborgde werkstukken kunnen ernstig letsel en grote schade veroorzaken.

Voor alle werkzaamheden aan de machine de stekker uit de kontaktdoos trekken.

Bij werken met grote boordiameters dient de extra handgreep in een rechte hoek met de hoofdhandgreep te worden bevestigd (zie tevens illustraties, sectie "Handgreep verdraaien").

VOORGESCHREVEN GEBRUIK VAN HET SYSTEEM

K545 S: De boorhamer is universeel inzetbaar voor hamerboren en hakken in steen en beton.

K500 S: De hamer kan worden toegepast voor hakken in steen en beton.

Dit apparaat uitsluitend gebruiken voor normaal gebruik, zoals aangegeven.

EC - VERKLARING VAN OVEREENSTEMMING

Wij verklaren in uitsluitende verantwoording dat het onder 'Technische gegevens' beschreven product overeenstemt met alle relevante voorschriften van de richtlijn 2011/65/EU (RoHS), 2004/108/EG, 2006/42/EG en de volgende geharmoniseerde normatieve documenten:

EN 60745-1:2009 + A11:2010

EN 60745-2-6:2010

EN 55014-1:2006 + A1:2009 + A2:2011

EN 55014-2:1997 + A1:2001 + A2:2008

EN 61000-3-2:2006 + A1:2009 + A2:2009

EN 61000-3-3:2008

EN 50581:2012

Winnenden, 2014-07-08

Alexander Krug

Alexander Krug
Managing Director



Gemachtigd voor samenstelling van de technische documenten

Techtronic Industries GmbH

Max-Eyth-Straße 10

71364 Winnenden

Germany

NETAANSLUITING

Verplaatsbaar gereedschap moet bij het gebruik buiten aan een aardlekschakelaar (FI,RCD,PRCD) aangesloten worden.

Uitsluitend op éénfase-wisselstroom en uitsluitend op de op het typeplaatje aangegeven netspanning aansluiten. Aansluiting is ook

mogelijk op een stekerdoos zonder aardcontact mogelijk, omdat het is ontworpen volgens veiligheidsklasse II.

Machine alleen uitgeschakeld aan de stekerdoos aansluiten.

Dit is een apparaat voor professioneel gebruik, hetgeen de richtwaarden voor harmonischen bij de aansluiting op het openbare laagspanningsnet minimaal kan overschrijden. Neem daarom vóór de aansluiting van het apparaat op het openbare laagspanningsnet eventueel contact op met het voor u verantwoordelijke nutsbedrijf.

ONDERHOUD

Altijd de luchtspleten van de machine schoonhouden.

Belangrijke tip! Versleten koolborstels tijdig door een service-werkplaats laten vervangen. Dit verhoogt de levensduur van de machine en garandeert dat de machine altijd direct klaar is voor gebruik.

Wanneer de netkabel beschadigd is, moet deze door een klantenservice worden vervangen, omdat daarvoor speciaal gereedschap vereist is.

Alleen Milwaukee toebehoren en onderdelen gebruiken. Onderdelen welke niet vermeld worden, kunnen het beste door de Milwaukee servicedienst verwisseld worden (zie Serviceadressen).

Onder vermelding van het nummer op het machineplaatje is desgewenst een doorsnedetekening van de machine verkrijgbaar bij: Techtronic Industries GmbH, Max-Eyth-Straße 10, 71364 Winnenden, Germany.

SYMBOLEN



OPGELET! WAARSCHUWING! GEVAAR!



Voor alle werkzaamheden aan de machine de stekker uit de kontaktdoos trekken.



Graag instructies zorgvuldig doorlezen vóórdat u de machine in gebruik neemt.



Toebehoren - Wordt niet meegeleverd. Is apart leverbaar. Zie hiervoor het toebehorenprogramma.



Elektrische apparaten mogen niet via het huisafval worden afgevoerd. Elektrische en elektronische apparaten moeten gescheiden worden verzameld en voor een milieuvriendelijke afvoer worden afgegeven bij een recyclingbedrijf. Informeer bij uw gemeente of bij uw vakhandelaar naar recyclingbedrijven en inzamel punten.



Elektrisch gereedschap van de beschermingsklasse II. Elektrisch gereedschap waarbij de bescherming tegen elektrische schokken niet afhankelijk is van de basisisolatie, maar waarin ook extra veiligheidsmaatregelen worden toegepast zoals dubbele of versterkte isolatie. Er is geen voorziening voor de aansluiting van een aardleiding.



CE-keurmerk



Regulatory Compliance Mark (RCM). Het product voldoet aan de van toepassing zijnde voorschriften.



EurAsian-symbool van overeenstemming.

TEKNISKE DATA	K500 S	K545 S
Produktionsnummer	4421 66 01.....	4422 01 01.....
.....	4421 58 01.....	4421 96 01.....
.....	4326 06 01.....	4324 51 01.....
.....	4077 95 01.....	4260 25 01.....
.....	4078 00 01.....	4260 15 01.....
.....	..000001-999999	..000001-999999
Nominal optagen effekt.....	1300 W.....	1300 W.....
Afgiven effekt.....	650 W.....	650 W.....
Omdrejningstal, ubelastet.....	300 min ⁻¹	300 min ⁻¹
Omdrejningstal max., belastet.....	300 min ⁻¹	300 min ⁻¹
Slagantal belastet max.....	2840 min ⁻¹	2840 min ⁻¹
Enkelt slagstyrke iht. EPTA Procedure 05/2009	8,5 J.....	8,5 J.....
Bor-ø i beton	45 mm.....	45 mm.....
Tunnelbor i beton, tegl og kalksandsten.....	65 mm.....	65 mm.....
Hulborekrone i beton, tegl og kalksandsten	100 mm.....	100 mm.....
Halsdiameter	66 mm.....	66 mm.....
Vægt svarer til EPTA-procedure 01/2003.....	6,3 kg.....	6,7 kg.....

Støjinformation K545 S

Måleværdier beregnes iht. EN 60 745.

Værktøjets A-vurderede støjniveau er typisk:

Lydtrykniveau (Usikkerhed K=3dB(A)).....	98,5 dB (A)
Lydeffekt niveau (Usikkerhed K=3dB(A)).....	109,5 dB (A)

Brug høreværn!

Støjinformation K500 S

Værktøjets A-vægtede lydtrykniveau er typisk

Målt værdi i.h.t. 2005/88/EF på brugerens øre.

2005/88/EF: Konformitetsvurdering i.h.t. bilag VI. Sted:

VDE Testing and Certification Institute, Merianstr. 28,

63069 Offenbach,

Germany

Målt lydeffektniveau..... 101 dB (A)

Garanteret lydeffektniveau..... 104 dB (A)

Brug høreværn!

Vibrationsinformation

Samlede vibrationsværdier (værdisum for tre retninger) beregnet

iht. EN 60745.

Hammerboring i beton:

Vibrationseksponering a_{hv} 11,5 m/s²

Usikkerhed K=..... 1,5 m/s²

Mejsle

Vibrationseksponering a_{hv} 11,5 m/s²..... 9 m/s²

Usikkerhed K=..... 1,9 m/s²..... 1,9 m/s²

ADVARSEL

Svingningsniveauet, som er angivet i disse anvisninger, er målt i henhold til standardiseret måleprocedure ifølge EN 60745 og kan anvendes til indbyrdes sammenligning mellem el-værktøjer. Svingningsniveauet er ligeledes egnet som foreløbigt skøn over svingningsbelastningen.

Det angivne svingningsniveau er baseret på el-værktøjets primære anvendelsesformål. Hvis el-værktøjet benyttes til andre formål, med andet indsatsværktøj eller ikke vedligeholdes tilstrækkeligt, kan svingningsniveauet afvige. Dette kan øge svingningsbelastningen over den samlede arbejdsperiode betydeligt.

For en nøjagtig vurdering af svingningsbelastningen skal der også tages højde for de tidsperioder, hvor apparatet er slukket, eller hvor apparatet kører, men uden at være i anvendelse. Dette kan reducere svingningsbelastningen over den samlede arbejdsperiode betydeligt.

Supplerende sikkerhedsforanstaltninger til beskyttelse af brugeren mod påvirkninger fra svingninger skal iværksættes, f.eks.:

Vedligeholdelse af el-værktøj og indsatsværktøj, varmholdelse af hænder, organisering af arbejdsprocesser.

⚠ ADVARSEL! Læs alle sikkerhedsinformationer og instruktioner.

I tilfælde af manglende overholdelse af advarselshenvisningerne og instrukserne er der risiko for elektrisk stød, brand og/eller alvorlige kvæstelser.

Opbevar alle advarselshenvisninger og instrukser til senere brug.

⚠ Sikkerhedsanvisninger for borehammer

Brug høreværn under slagboring. Støjen kan føre til nedsat hørelse.

Brug de ekstra håndtag, som følger med apparatet. Hvis kontrollen mistes, kan det medføre personskade.

Hold maskinen fast i de isolerede gribeblade, når du udfører arbejde, hvor der er risiko for, at skæreværktøjet kan ramme skjulte strømledninger eller værktøjets egen ledning. Kommer

skæreværktøjet i kontakt med en strømførende ledning, kan maskinens metaldele komme under spænding og give elektrisk stød.

Yderligere sikkerheds- og arbejdsinformationer

Brug beskyttelsesudstyr. Bær altid sikkerhedsbriller, når du arbejder med maskinen. Vi anbefaler desuden brug af personlig beskyttelsesudrustning, såsom støvmaske, sikkerhedshandsker, fast og skridsikkert skotøj, hjelm og høreværn.

Støv, som opstår under arbejdet, er ofte sundhedsfarligt og bør ikke trænge ind i kroppen. Benyt egnet åndedrætsværn.

Der må ikke bearbejdes nogen materialer, der kan udgøre en sundhedsrisiko (f.eks. asbest).

Sluk straks for maskinen, hvis indsatsværktøjet er blokeret! Tænd ikke for maskinen igen, så længe indsatsværktøjet er blokeret;

dette kan føre til et tilbageslag med højt reaktionsmoment. Find frem til og afhjælp årsagen til indsatsværktøjets blokering under hensyntagen til sikkerhedsinstruktionerne.

Mulige årsager hertil kan være:

- at det sidder i klemme i emnet der bearbejdes
- at det har brækket materialet der bearbejdes
- at el-værktøjet er overbelastet

Grib ikke ind i maskinen, når den kører.

Indsatsværktøjet kan blive varmt under brugen.

ADVARSEL! Fare for forbrændinger

- ved værktøjsskift
- når man lægger maskinen fra sig

Spåner eller splinter må ikke fjernes, medens maskinen kører.

Tilslutningskablet holdes hele tiden væk fra maskinens arbejdsområde. Kablet ledes altid bort bag om maskinen.

Ved arbejdsboring i væg, loft eller gulv skal man passe på elektriske kabler, gas- og vandledninger.

Sørg for at sikre dit emne med en spændeordning. Ikke sikrede emner kan forårsage alvorlige kvæstelser og beskadigelser.

Før ethvert arbejde ved maskinen skal stikket tages ud af stikdåsen.

Ved store borediameter skal ekstrahåndtaget fastgøres i en ret vinkel til hovedhåndtaget. Se også i billeddelen, afsnit "Håndtag drejes".

TILTÆNKT FORMÅL

K545 S: Borehammeren kan bruges universelt til hammerboring og mejsling i sten og beton.

K500 S: Hammeren kan benyttes til mejsling i sten og beton.

Produktet må ikke anvendes på anden måde og til andre formål end foreskrevet.

CE-KONFORMITETSERKLÆRING

Vi erklærer som eneansvarlig, at det under "Tekniske data" beskrevne produkt stemmer overens med alle relevante forskrifter, der følger af direktiv 2011/65/EU (RoHS), 2004/108/EF, 2006/42/EF samt af følgende harmoniserede normative dokumenter:

EN 60745-1:2009 + A11:2010

EN 60745-2-6:2010

EN 55014-1:2006 + A1:2009 + A2:2011

EN 55014-2:1997 + A1:2001 + A2:2008

EN 61000-3-2:2006 + A1:2009 + A2:2009

EN 61000-3-3:2008

EN 50581:2012

Winnenden, 2014-07-08

Alexander Krug

Alexander Krug
Managing Director



Autoriseret til at udarbejde de tekniske dokumenter.

Techtronic Industries GmbH

Max-Eyth-Straße 10

71364 Winnenden

Germany

NETTILSLUTNING

Stikdåser udendørs skal være forsynet med fejlstrømssikringskontakter (FI, RCD, PRCD). Det forlanger installationsforskriften for Deres elektroanlæg. Overhold dette, når De bruger vores maskiner.

Tilslutning må kun foretages til enfaset vekselstrøm og kun til en netspænding, som er i overensstemmelse med angivelsen på mærkepladen. Tilslutning kan også ske til stikdåser uden beskyttelseskontakt, da kapslingsklasse II foreligger.

Tilslut kun maskine til stikdåsen i slukket tilstand.

Dette er en enhed til professionel brug, der kan overskride standardværdierne for strøm ved tilslutning til den offentlige netspænding ubetydeligt. Kontakt derfor elektricitetværket, inden enheden tilsluttes til det offentlige lavspændingsnet.

VEDLIGEHOOLDELSE

Hold altid maskinens ventilationsåbninger rene.

I forbindelse med udskiftning af nedslidte kul anbefales det, at maskinen indsendes til et autoriseret serviceværksted for almindelig service-check. Det giver optimal sikkerhed for altid funktionsdygtig maskine og lang levetid.

Hvis nettilslutningsledningen bliver beskadiget, skal den udskiftes hos kompetent kundeservice, idet dette kræver specielt værktøj.

Brug kun Milwaukee tilbehør og reservedele. Lad de komponenter, hvis udskiftning ikke er blevet beskrevet, udskifte hos Atlas Copco service (se kundeserviceadresser).

Ved opgivelse af type nr. der er angivet på maskinens effektskilt, kan de rekvirere en reservedelstegning, ved henvendelse til: Techtronic Industries GmbH, Max-Eyth-Straße 10, 71364 Winnenden, Germany.

SYMBOLER



VIGTIGT! ADVARSEL! FARE!



Før ethvert arbejde ved maskinen skal stikket tages ud af stikdåsen.



Læs brugsanvisningen nøje før ibrugtagning.



Tilbehør - Ikke inkluderet i leveringsomfanget, køb købes som tilbehør.



Elektrisk udstyr må ikke bortskaffes sammen med det almindelige husholdningsaffald. Elektrisk og elektronisk udstyr skal indsamles særskilt og afleveres hos en genbrugsvirksomhed til en miljømæssig forsvarlig bortskaffelse. Spørg de lokale myndigheder eller din forhandler om genbrugsstationer og indsamlingssteder til sådant affald.



Kapslingsklasse II elværktøj. Elværktøj, hvor beskyttelsen mod et elektrisk stød ikke kun afhænger af basisisoleringen men også af, at der anvendes yderligere beskyttelsesforanstaltninger som dobbelt isolering eller forstærket isolering. Der findes ikke udstyr til tilslutning af en beskyttelsesleder.



CE-mærke



Regulatory Compliance Mark (RCM). Produktet opfylder de gældende bestemmelser.



EurAsian overensstemmelsesmærke.

TEKNISKE DATA	K500 S	K545 S
Produksjonsnummer.....	4421 66 01...	4422 01 01...
.....	4421 58 01...	4421 96 01...
.....	4326 06 01...	4324 51 01...
.....	4077 95 01...	4260 25 01...
.....	4078 00 01...	4260 15 01...
.....	..000001-999999	..000001-999999
Nominell inngangseffekt.....	1300 W.....	1300 W
Avgitt effekt.....	650 W.....	650 W
Tomgangsturtall.....	300 min ⁻¹	300 min ⁻¹
Lastturtall maks.....	300 min ⁻¹	300 min ⁻¹
Lastslag tall maks.....	2840 min ⁻¹	2840 min ⁻¹
Enkeltslagstyrke tilsvarende EPTA-Procedure 05/2009.....	8,5 J	8,5 J
Bor-ø i betong.....	45 mm	45 mm
Tunnelbor i betong, tegl og kalkstein.....	65 mm	65 mm
Hulborkrone i betong, tegl og kalkstein.....	100 mm	100 mm
Spennhals-ø.....	66 mm	66 mm
Vekt i henhold til EPTA-Prosedyren 01/2003.....	6,3 kg	6,7 kg

Støyinformasjon K545 S

Måleverdier fastslått i samsvar med EN 60 745.

Det typiske A-bedømte støynivået for maskinen er:

Lydtryknivå (Usikkerhet K=3dB(A)).....	98,5 dB (A)
Lydeffektnivå (Usikkerhet K=3dB(A)).....	109,5 dB (A)

Bruk hørselsvern!

Støyinformasjon K500 S

Det A-bedømte lyd nivået til maskinen er:..... 91 dB (A)

Måle verdi beregnet i henhold til 2005/88/EF ved brukerens øre.

2005/88/EF: Samsvarsevalueringsprosess i henhold til vedlegg VI.

Nevnt kontor:

VDE Testing and Certification Institute, Merianstr. 28,

63069 Offenbach, Tyskland

Målt lydeffektnivå..... 101 dB (A)

Garantert lydeffektnivå..... 104 dB (A)

Bruk hørselsvern!

Vibrasjonsinformasjoner

Totale svingningsverdier (vektorsum fra tre retninger) beregnet jf.

EN 60745.

Hammerboring i betong:

Svingningssemissjonsverdi a_w.....11,5 m/s²

Usikkerhet K=..... 1,5 m/s²

Meisling

Svingningssemissjonsverdi a_w.....11,5 m/s²..... 9 m/s²

Usikkerhet K=..... 1,9 m/s²..... 1,9 m/s²

ADVARSEL

Svingningsnivået som er angitt i denne instruksjonen er målt i overensstemmelse med måle metoden normert i direktiv EN 60745 og kan brukes til å sammenligne elektr maskiner med hverandre. Den egner seg også for en foreløbig vurdering av svingningsbelastningen.

Det angitte svingningsnivået representerer de hovedsaklige bruk av elektroverktøyet. Men anvendes elektroverktøyet for andre bruk med avvikende utskiftbare verktøy eller vedlikeholdet er utilstrekkelig, kan svingningsnivået være avvikende.

Dette kan forhøye svingningsbelastning betydelig over hele arbeidsperioden. For en nøyaktig vurdering av svingningsbelastningen må også det tas hensyn til tiden apparatet er avslått eller står på, men ikke er i bruk. Dette kan redusere svingningsbelastningen betydelig over hele arbeidsperioden.

Infør også ekstra sikkerhetstiltak for å beskytte bruker mot utvirkingen av svingningene. Disse kan f.eks. være: vedlikehold av elektroverktøyet og det utskiftbare verktøyet, holde hendene varme, organisasjon av arbeidsforløpet.

⚠ OBS! Les alle sikkerhetsinstruksjoner og bruksanvisninger.

Feil ved overholdelsen av advarslene og nedenstående anvisninger kan medføre elektriske støt, brann og/eller alvorlige skader.

Ta godt vare på alle advarslene og informasjonene.

⚠ Sikkerhetsinstruksjoner for borhammer

Bruk hørselsvern ved bruk av slagboret. Støy kan føre til tap av hørselen.

Bruk de med apparatet medleverte tilleggshandtak. Tap av kontrollen kan føre til skader.

Hold apparatet i de isolerte holdeflatene, når det arbeides på steder hvor elektroverktøyet kan treffe skjulte strømledninger eller verktøyet egen kabel. Kontakt med en ledning som er

under spenning, kan også sette metall deler til apparatet under spenning og føre til et elektrisk slag.

Ytterlige sikkerhets- og arbeidsinstruksjoner

Bruk vernebekledning. Ta alltid på vernebrille ved bruk av maskinen. Vernebekledning så vel som støvmaske, vernehansker, fast og sklisikkert skotøy, hjem og hørselsvern er anbefalt.

Støvet som oppstår ved arbeidet er ofte helsefarlig og skal ikke komme i kontakt med kroppen. Bruk derfor vernemaske som er egnet for støv.

Materialer som er helsefarlig skal ikke bearbeides (f.eks.. asbest)

Slå av apparatet med en gang dersom det isatte verktøyet er blokkert! Ikke slå apparatet på igjen så lenge det isatte verktøyet er blokkert; her kan det oppstå et tilbakeslag med høyt

reaksjonsmoment. Finn ut hvorfor det isatte verktøyet blokkerer og fjern årsaken til dette. Ta herved hensyn til sikkerhets instruksene.

Mulige årsaker til dette kan være:

- det har forkantet seg i arbeidsemnet som bearbeides
- det har brekt gjennom materialet som bearbeides
- elektroverktøyet er overbelastet

Ikke grip inn i maskinen når den står på og går.

Isatt verktøy kan i bruk bli veldig varmt.

ADVARSEL! Fare for forbrønning

- ved skifting av verktøy
- når apparatet legges ned

Spon eller fliser må ikke fjernes mens maskinen er i gang.

Hold ledningen alltid vekk fra maskinens virkeområde. Før ledningen alltid bakover fra maskinen.

Pass på kabler, gass- og vannledninger når du arbeider i vegger, tak eller gulv.

Klem fast arbeidsemnet med en spenninnretning. Ikke sikre arbeidsemner kan ha alvorlige helseskader og skader av material til følge.

Trekk støpslet ut av stikkkontakten før du begynner arbeider på maskinen.

Ved store borediametere må ekstrahåndtaket være festet i rett vinkel til hovedhåndtaket. Se også bildedelen, avsnitt "Vri håndtaket".

FORMALSMESSIG BRUK

K545 S: Borhammeren kan brukes universelt til hammerboring og meisling i steinarter og betong.

K500 S: Hammeren kan brukes for meisling i steinarter og betong.

Dette apparatet må kun brukes til de oppgitte formål.

CE-SAMSVARERKLÆRING

Vi erklærer i alene ansvar at produktet beskrevet i "Teknisk data" overensstemmer med alle relevante forskrifter til Eu direktiv 2011/65/EU (RoHS), 2004/108/EF, 2006/42/EF og de følgende harmoniserte normative dokumentene.

EN 60745-1:2009 + A11:2010

EN 60745-2-6:2010

EN 55014-1:2006 + A1:2009 + A2:2011

EN 55014-2:1997 + A1:2001 + A2:2008

EN 61000-3-2:2006 + A1:2009 + A2:2009

EN 61000-3-3:2008

EN 50581:2012

Winnenden, 2014-07-08

Alexander Krug

Alexander Krug
Managing Director



Autorisert til å utarbeide den tekniske dokumentasjonen

Techtronic Industries GmbH

Max-Eyth-Straße 10

71364 Winnenden

Germany

NETTILKOPLING

Stikkontakter utendørs må være utstyrt med feilstrøm-sikkerhetsbryter (FI, RCD, PRCD). Dette forlanges av installasjonsforskriften for elektroanlegg. Vennligst følg dette når du bruker vårt apparat.

Skal bare tilsluttes enfasevekselstrøm og bare til den på skiltet angitte nettspenning. Tilslutning til stikkontakter uten jordet kontakt er mulig fordi beskyttelse beskyttelsesklasse II er forhanden.

Påse at maskinen er slått av når du setter inn nettstøpset i stikkkontakten.

Dette er et apparat for profesjonell bruk som kan overskride retningslinjene for overharmoniske spenninger ubetydelig ved

tilkobling til det offentlige lavspenningsnettet. Kontakter derfor det vedkommende elektrisitetsverket i slike tilfelle før tilkobling til det offentlige lavspenningsnettet.

VEDLIKEHOLD

Hold alltid luftenåpningene på maskinen rene.

Når kullbørstene er slitte bør det i tillegg til at disse skiftes ut gjennomføres en service i et serviceverksted. Dette forlenger maskinens levetid og garanterer en stadig driftsberedskap.

Er det skade på nettkabelen, må den skiftes av kundeservice, fordi det behøves spesialverktøy.

Bruk kun Milwaukee tilbehør og reservedeler. Komponenter der utskifting ikke er beskrevet skal skiftes ut hos Milwaukee kundeservice (se brosjyre garanti/kundeserviceadresser).

Ved behov kan du be om en eksplosjonstegning av apparatet hos din kundeservice eller direkte hos Techtronic Industries GmbH, Max-Eyth-Straße 10, 71364 Winnenden, Germany. Oppgi maskintype og det nummeret på typeskiltet.

SYMBOLER



OBS! ADVARSEL! FARE!



Trekk støpslet ut av stikkkontakten før du begynner arbeider på maskinen.



Les nøye gjennom bruksanvisningen før maskinen tas i bruk.



Tilbehør - inngår ikke i leveransen, anbefalt komplettering fra tilbehørsprogrammet.



Elektriske apparat skal ikke kastes sammen med vanlig husholdningsavfall. Elektriske og elektroniske apparat skal samles separat og leveres til miljøvennlig deponering til en avfall bedrift. Informer deg hos myndighetene på stedet eller hos din fagforhandler hvor det finnes recycling bedrifter oppsamlingssteder.



Elektroverktøy av verneklasse II. Elektroverktøy hvor beskyttelse mot elektrisk slag ikke bare er avhengig av basisisoleringen, men som også er avhengig av at tilleggs vernetiltak som dobbelt eller forsterket isolering blir brukt. Det finnes ingen innretning for tilkobling av en beskyttelsesleder.



CE-tegn



Regulatory Compliance Mark (RCM). Produktet oppfyller gjeldende forskrifter.



EurAsian Konformitetstegn.

TEKNISKA DATA	K500 S	K545 S
Produktionsnummer	4421 66 01...	4422 01 01...
.....	4421 58 01...	4421 96 01...
.....	4326 06 01...	4324 51 01...
.....	4077 95 01...	4260 25 01...
.....	4078 00 01...	4260 15 01...
.....	..000001-999999	..000001-999999
Nominell upptagen effekt.....	1300 W.....	1300 W
Uteffekt	650 W.....	650 W
Obelastat varvtal.....	300 min ⁻¹	300 min ⁻¹
Belastat varvtal.....	300 min ⁻¹	300 min ⁻¹
Belastat slagtal max.....	2840 min ⁻¹	2840 min ⁻¹
Enkelslagstyrka enligt EPTAProcedure 05/2009	8,5 J	8,5 J
Borrdiam. in betong.....	45 mm	45 mm
Tunnelborrning i betong, tegel och kalksandsten	65 mm	65 mm
Borrkronor i betong, tegel och kalksandsten	100 mm	100 mm
Maskinhals diam.....	66 mm	66 mm
Vikt enligt EPTA 01/2003.....	6,3 kg	6,7 kg

Bullerinformation K545 S

Mätvärdena har tagits fram baserade på EN 60 745.

A-värdet av maskinens ljudnivå utgör:

Ljudtrycksnivå (Onoggrannhet K=3dB(A))	98,5 dB (A)
Ljudeffektsnivå (Onoggrannhet K=3dB(A))	109,5 dB (A)

Använd hörselskydd!

Bullerinformation K500 S

A-värdet av maskinens ljudtrycksnivå är 91 dB (A)

Värdet uppmätt enligt 2005/88/EG vid operatörens öra.

2005/88/EG: Förfarande för att säkerställa överensstämmelsen enligt bilaga VI.

Anmält organ:

VDE Testing and Certification Institute, Merianstr. 28, 63069 Offenbach, Germany	
Uppmätt ljudtrycksnivå	101 dB (A)
Garanterad ljudtrycksnivå.....	104 dB (A)

Använd hörselskydd!

Vibrationsinformation

Totala vibrationsvärden (vektorsumma ur tre riktningar) framtaget enligt EN 60745.

Hammarborrning in betong:

Vibrationsemissionsvärde a _h	11,5 m/s ²
Onoggrannhet K=.....	1,5 m/s ²

Mejsla	
Vibrationsemissionsvärde a _h	11,5 m/s ² 9 m/s ²
Onoggrannhet K=.....	1,9 m/s ² 1,9 m/s ²

WARNING

Den i de här anvisningarna angivna vibrationsnivån har uppmätts enligt ett i EN 60745 normerat mätförfarande och kan användas vid jämförelse mellan olika elverktyg. Nivån är även lämplig att använda vid en preliminär bedömning av vibrationsbelastningen.

Den angivna vibrationsnivån representerar den huvudsakliga användningen av det aktuella elverktyget. Men om elverktyget ska användas i andra användningsområden, tillsammans med avvikande insatsverktyg eller efter otillräckligt underhåll, kan vibrationsnivån skilja sig. Det kan öka vibrationsbelastningen betydligt under hela arbetstiden.

För att få en exaktare bedömning av vibrationsbelastningen ska även den tid beaktas, under vilken elverktyget är avstängt eller är påslaget, utan att det verkligen används. Det kan reducera vibrationsbelastningen betydligt under hela arbetstiden.

Lägg som skydd för användaren fast extra säkerhetsåtgärder mot vibrationernas verkan, som till exempel: underhåll av elverktyg och insatsverktyg, varmhållning av händer och organisering av arbetsförlopp.

⚠ WARNING! Läs all säkerhetsinformation och alla anvisningar. Fel som uppstår till följd av att anvisningarna nedan inte följts kan orsaka elstöt, brand och/eller allvarliga kroppsskador. Förvara alla varningar och anvisningar för framtida bruk.

⚠ Säkerhetsinstruktioner för borrdammare

Använd alltid hörselskydd när du använder en slagborrmaskin. Buller kan leda till att du förlorar hörseln.

Använd de extrahandtag som levereras tillsammans med maskinen. Förlust av kontrollen kan leda till personskador.

Håll fast apparaten med hjälp av de isolerade greppytorna när du utför arbeten där arbetsverktyget skulle kunna träffa på dolda elledningar eller kablar. Om man kommer i kontakt med en spänningsförande ledning, så kan även de delar på verktyget som

är av metall bli spänningsförande och leda till att man får en elektrisk stöt.

Övriga säkerhets- och användningsinstruktioner

Använd skyddsutrustning. Använd alltid skyddsglasögon när du använder maskinen. Som skyddsutrustning rekommenderar vi t ex en dammskyddsmask, skyddshandskar, stabila och halksäkra skor, hjälm och hörselskydd.

Det damm som bildas under arbetets gång är ofta hälsofarligt och det ska inte komma in i kroppen. Bär därför lämplig skyddsmask.

Det är inte tillåtet att bearbeta material som kan vara hälsovådligt (t.ex. asbest).

Stäng av maskinen omedelbart om ett verktyg som används sitter fast! Sätt sedan inte på maskinen igen så länge som verktyget som

används fortfarande sitter fast; risk för okontrollerade slag med högt reaktionsmoment. Ta reda på orsaken varför verktyget fastnade och åtgärda orsaken med hänsyn till säkerhetsanvisningarna.

Möjliga orsaker kan vara:

- Verktyget sitter snett i arbetsstycket
- Verktyget går igenom materialet som bearbetas
- Elverktyget är överbelastat

Gå aldrig med händerna in i en maskin som är igång.

Verktyget som används kan bli mycket varmt under användningen.

- WARNING!** Risk för brännskador
- vid verktygsbyte
 - när man lägger ifrån sig maskinen

Avlägsna aldrig spån eller flisor när maskinen är igång.

Nätkabeln skall alltid hållas ifrån arbetsområdet. Lägg kabeln bakåt i förhållande till arbetsriktningen.

Vid arbetenborrning i vägg, tak eller golv, var alltid observant på befintliga el-, gas- eller vattenledningar.

Säkra arbetsstycket med en fastspänningsanordning. Arbetsstycken som inte är ordentligt fastspända kan leda till allvarlig kroppsskada eller annan skada.

Drag alltid ur kontakten när du utför arbeten på maskinen.

När du arbetar med stora borrdiametrar, måste du montera extrahandtaget på höger sida (se illustrationer, avdelning "vrida handtaget").

ANVÄND MASKINEN ENLIGT ANVISNINGARNA

K545 S: Borrdiametrarna kan universellt användas för hammarborrning och mejsling i sten och betong.

K500 S: Hammaren kan användas till mejsling i sten och betong.

Maskinen får endast användas för angiven tillämpning.

CE-FÖRSÄKRAN

Vi intygar och ansvarar för att den produkt som beskrivs under "Tekniska data" överensstämmer med alla relevanta bestämmelser i direktiv 2011/65/EU (RoHS), 2004/108/EG, 2006/42/EG och följande harmoniserade normerande dokument:

EN 60745-1:2009 + A11:2010
 EN 60745-2-6:2010
 EN 55014-1:2006 + A1:2009 + A2:2011
 EN 55014-2:1997 + A1:2001 + A2:2008
 EN 61000-3-2:2006 + A1:2009 + A2:2009
 EN 61000-3-3:2008
 EN 50581:2012

Winnenden, 2014-07-08

Alexander Krug

Alexander Krug
 Managing Director



Befullmäktigad att sammanställa teknisk dokumentation.

Techronic Industries GmbH
 Max-Eyth-Straße 10
 71364 Winnenden
 Germany

NÄTANSLUTNING

Anslut alltid verktyget till via en felströmbrytare (FI, RCD, PRCD) vid användning utomhus.

Får endast anslutas till 1-fas växelström och till den spänning som anges på dataskylten. Anslutning kan även ske till eluttag utan skyddskontakt, eftersom konstruktionen motsvarar skyddsklass II.

Maskinen skall vara fränslagen när kontakten anslutes till vägguttaget.

Detta verktyg är avsett för professionell användning och kan i viss mån överskrida riktvärdena för strömöverspänningar vid anslutning till det allmänna lågspänningsnätet . Därför

rekommenderas att kontakta det lokala elbolaget innan verktyget ansluts till det allmänna lågspänningsnätet.

SKÖTSEL

Se till att motorhöljets luftslitsar är rena.

Viktig! I samband med kolbyten är en översyn på serviceverkstad att rekommendera. Detta för att höja maskinens livslängd och garantera ytterligare driftssäkerhet.

Om nätkabeln är skadad, måste den bytas ut på en godkänd serviceverkstad, då det krävs specialverktyg för detta.

Använd endast Milwaukee tillbehör och reservdelar. Reservdelar vars utbyte ej beskrivs byts bäst av Milwaukee auktoriserad serviceverkstad (se broschyr Garanti/Kundtjänstadresser).

Vid behov av sprängskiss, kan en sådan, genom att uppge maskinens art. nr. (som finns på typskylten) erhållas från: Techronic Industries GmbH, Max-Eyth-Straße 10, 71364 Winnenden, Germany.

SYMBOLER



OBSERVERA! WARNING! FARA!



Drag alltid ur kontakten när du utför arbeten på maskinen.



Läs instruktionen noga innan du startar maskinen.



Tillbehör - Ingår ej i leveransomfånget, erhålles som tillbehör.



Elektriska maskiner och elverktyg som kasseras får inte slängas tillsammans med de vanliga hushållsoporna.

Elektriska maskiner och verktyg samt elektronisk utrustning som kasseras ska samlas separat och lämnas till en avfallsstation för miljövänlig avfallshantering.

Kontakta den lokala myndigheten respektive kommunen eller fråga återförsäljare var det finns speciella avfallsstationer för elskrot.



Elverktyg skyddsklass II. Elverktyg hos vilket skyddet mot elstöt är inte bara är avhängigt av basisoleringen utan också av att det finns extra skyddsåtgärder, som en dubbel isolering eller en förstärkt isolering. Det finns ingen anordning för anslutning av en skyddsledare.



CE-symbol



Regulatory Compliance Mark (RCM). Produkten uppfyller kraven i de gällande föreskrifterna.



EurAsian överensstämmelsesymbol.

TEKNISET ARVOT	K500 S	K545 S
Tuotantonumero	4421 66 01...	4422 01 01...
.....	4421 58 01...	4421 96 01...
.....	4326 06 01...	4324 51 01...
.....	4077 95 01...	4260 25 01...
.....	4078 00 01...	4260 15 01...
.....	..000001-999999	..000001-999999
Nimellinen teho.....	1300 W.....	1300 W
Antoteho.....	650 W.....	650 W
Kuormittamaton kierrosluku	300 min ⁻¹	300 min ⁻¹
Kuormitettu kierrosluku maks.	2840 min ⁻¹	2840 min ⁻¹
Kuormitettu iskutaajuus maks.	8,5 J	8,5 J
Kiinnitysiskun voimakkuus vastaa EPTA-Procedure 05/2009	8,5 J	8,5 J
Poran ø betoniin	45 mm	45 mm
Tunnelipora betonin, tiilen ja kalkin poraukseen.....	65 mm	65 mm
Kruunupora betonin, tiilen ja kalkin poraukseen.....	100 mm	100 mm
Kiinnityskaulan ø	66 mm	66 mm
Paino EPTA-menettelyn 01/2003 mukaan.....	6,3 kg	6,7 kg

Melunpäästötiedot K545 S

Mitta-arvot määritetty EN 60 745 mukaan.

Koneen tyyppillinen A-luokitettu melutaso:

Melutaso (Epävarmuus K=3dB(A)) 98,5 dB (A)

Äänenvoimakkuus (Epävarmuus K=3dB(A))..... 109,5 dB (A)

Käytä kuulosuojaimia!

Melunpäästötiedot K500 S

Yleensä työkalun A-luokan melutaso 91 dB (A)

Arvot mitattu 2005/88/EG perusteella käyttäjän korvan kohdalta.

2005/88/EG: Yhdenmukaisuuden arviointiprosessi liitteen VI

mukaan. Vastaava organisaatio:

VDE Testing and Certification Institute, Merianstr. 28,

63069 Offenbach, Saksa

Mitattu äänenvoiman taso 101 dB (A)

Taattu äänenvoiman taso 104 dB (A)

Käytä kuulosuojaimia!

Tärinätiedot

Värähtelyn yhteisarvot (kolmen suunnan vektorisummitattuna EN

60745 mukaan.

Vasaraporaukseen, betoniin:

Värähtelyemissioarvo a_h.....11,5 m/s²

Epävarmuus K=..... 1,5 m/s²

taltaus

Värähtelyemissioarvo a_h.....11,5 m/s²..... 9 m/s²

Epävarmuus K=..... 1,9 m/s²..... 1,9 m/s²

VAROITUS

Näissä ohjeissa mainittu värähtelytaso on mitattu EN 60745 -standardin mukaisella mittausmenetelmällä ja sitä voidaan käyttää

sähkötyökalujen vertaamiseen. Sitä voidaan käyttää myös värähtelyrasituksen väliaikaiseen arviointiin.

Mainittu värähtelytaso edustaa sähkötyökalun pääasiallista käyttöä. Jos sähkötyökalua kuitenkin käytetään muihin tehtäviin, poikkeavien

työkaluain tai riittämättömästi huoltaen, värähtelytaso voi olla erilainen. Se voi korottaa värähtelyrasitusta koko työajan osalta.

Tarkan värähtelyrasituksen toteamiseen tulee ottaa huomioon aika, jona laite on kytketty pois tai on kylläkin päällä, mutta ei käytössä. Se voi

pienentää värähtelyrasitusta koko työajan osalta.

Määrittele lisäturvatoimenpiteitä käyttäjän suojaamiseksi värinöiden vaikutukselta, kuten esimerkiksi: sähkötyökalujen ja käyttötyökalujen

huolto, käsien lämpiminä pitäminen, työvaiheiden organisaatio.

VAROITUS! Lue kaikki turvallisuusmääräykset ja ohjeet.

Turvallisuusohjeiden noudattamisen laiminlyönti saattaa johtaa

sähköiskuun, tulipaloon ja/tai vakavaan loukkaantumiseen.

Säilytä kaikki turvallisuus- ja muut ohjeet tulevaisuutta varten.

Poravasara turvallisuusmääräykset

Käytä kuulosuojaimia iskuporattaessa. Melulle altistuminen voi

heikentää kuuloa.

Käytä koneen mukana toimitettua apukahvaa. Koneen hallinnan

menetyks saattaa aiheuttaa henkivahinkoja.

Pitele laitetta vain eristetyistä tarttumapinnoista, kun suoritat

sellaisia töitä, joissa leikkaustyökalu saattaa osua piilossa

oleviin sähköjohtoihin tai omaan liitäntäjohtoon.

Leikkaustyökalun yhteys jännitteelliseen johtoon saattaa tehdä

laitteen metalliset osat jännitteelliseksi ja aiheuttaa sähköiskun.

Täydentäviä turvallisuusmääräyksiä ja työskentelyohjeita

Käytä suojavarusteita. Käytä aina suojalaseja käyttäessäsi

konetta. Suosittelemme suojavarusteiden käyttöä, näihin kuuluvat

pölysuojanaamari, työksineet, tukevat, luistamattomat jalkineet,

kypärä ja kuulosuojukset.

Koneen käytöstä aiheutuva pöly ja jäte voi olla haitallista

terveydelle eikä sen vuoksi tulisi päästä kosketukseen ihon

kanssa. Koneella työskennellessä on käytettävä sopivaa suojainta.

Terveydellisiä vaaroja aiheuttavien materiaalien (esim. asbestin)

työstäminen on kielletty.

Jos käytetty työkalu juuttuu kiinni, sammuta laite heti! Älä kytk

laitetta uudelleen päälle työkalun ollessa vielä kiinni juuttuneena,

koska tästä saattaa aiheutua voimakas takaisku. Selvitä työkalun

juuttumisen syy ja poista syy turvallisuusmääräyksiä noudattaen.

Mahdollisia syitä voivat olla:

- työkalun vinoutuminen työstökappaleessa

- työstetyn materiaalin puhkaiseminen

- sähkötyökalun ylikuormitus

Älä tartu käynnissä olevan koneen työosiin.

Käytetty työkalu saattaa kuumeta käytön aikana.

VAROITUS! Palovamman vaara

- työkalua vaihdettaessa

- laitetta pois laskettaessa

Lastuja tai puruja ei saa poistaa koneen käydessä.

Pidä sähköjohto poissa koneen työaluelueelta. Siirrä se aina

taaksesi.

Varo seinään, kattoon tai lattiaan porattaessa osumasta

sähköjohtoon, kaasu- ja vesijohtoihin.

Varmista työstökappaleesi kiinnityslaitteella paikalleen.

Varmistamattomat työstökappaleet saattavat aiheuttaa vakavia

vammoja ja vaurioita.

Irrota aina pistotulppa seinäkoskettimesta ennen koneeseen

tehtäviä toimempiteitä.

Suuret poranhalkaisijat edellyttävät, että tukikädensija on suorassa

kulmassa pääkädensijaan nähden (katso kuvaa, osassa

"Kädensijan kiertäminen".

TARKOITUKSEN MUKAINEN KÄYTTÖ

K545 S: Porasava soveltuu yleiseen kivenporaukseen ja

-talttaukseen, ja betoniin.

K500 S: Vasara soveltuu yleiseen kiventalttaukseen, ja betoniin.

Älä käytä tuotetta ohjeiden vastaisesti.

TODISTUS CE-STANDARDIN MUKAISUUDESTA

Vakuutamme yksinvastuullisesti, että kohdassa "Tekniset tiedot"

kuvattu tuote vastaa kaikkia sitä koskevia direktiivien 2011/65/EU

(RoHS), 2004/108/EY, 2006/42/EY määräyksiä sekä seuraavia

harmonisointuja standardisoivia asiakirjoja:

EN 60745-1:2009 + A1:2010

EN 60745-2:6:2010

EN 55014-1:2006 + A1:2009 + A2:2011

EN 55014-2:1997 + A1:2001 + A2:2008

EN 61000-3-2:2006 + A1:2009 + A2:2009

EN 61000-3-3:2008

EN 50581:2012

Winnenden, 2014-07-08

Alexander Krug

Alexander Krug

Managing Director

Valtuutettu kokoamaan tekniset dokumentit.

Techtronic Industries GmbH

Max-Eyth-Straße 10

71364 Winnenden

Germany

VERKKOLIITÄNTÄ

Ulkokäytössä olevat pistorasiat on varustettava vikavirta-

suojauslaitteilla (FI, RCD PRCD) sähkölaitteistosi

asennusmääräyksen mukaisesti. Muista tarkistaa, että laite

liitetään ulkokäytössä ulkopistorasiaan ja neuvottele asiasta

sähköasentajasi kanssa.

Yhdistä ainoastaan yksivaiheiseen vaihtovirtaan, jonka

verkkojännite on sama kuin tyyppikilvessä ilmoitettu. Myös

liittäminen maadoittamattomiin pistorasioihin on mahdollista, sillä

rakenne vastaa turvallisuusluokkaa II.

Laitteen käynnistyskytkin on oltava 0- asennossa, kun tulppa

työnnetään pistorasiaan.

Tämä laite on tarkoitettu ammattikäyttöön, ja se saattaa ylittää

virran korkeimpien yliaaltojen viirtearvot vähäisessä määrin, kun se

liitetään julkiseen pienjänniteverkkoon. Ota tämän vuoksi

tarvittaessa yhteyttä paikalliseen energianjakeluyritykseen ennen

laitteen liittämistä julkiseen pienjänniteverkkoon.

HUOLTO

Pidä moottorin ilmanottoaukot puhtaina.

Hiiltenvaihdon lisäksi jotkut muutkin huoltotoimenpiteet saattavat

olla tarpeen. Koneen pitkän kestoian ja luotettavan

toimintavalmiuden turvaamiseksi, suosittelemme näissä

tapauksissa kääntymistä valtuutetun huoltokorjaamon puoleen.

Jos verkkoliitäntäjohto on voittunut, niin huoltopalvelun täytyy

vaihtaa se uuteen, koska vain heillä on tähän tarvittavat

erikoistyökalut.

Käytä vain Milwaukee:n lisälaitteita ja varaosia. Käytä

ammattitaitoisten Milwaukee-huoltosopimusliikkeiden palveluja

muiden kuin käyttöohjeessa kuvattujen osien vaihdossa. (esite

takuu/huoltoilkelueto).

Tarpeen vaatiessa voit pyytää lähettämään laitteen

kokoonpanopiirustuksen ilmoittamalla arvokilven numeron

seuraavasta osoitteesta: Techtronic Industries GmbH,

Max-Eyth-Straße 10, 71364 Winnenden, Germany.

SYMBOLIT



HUOMIO! VAROITUS! VAARA!



Irrota aina pistotulppa seinäkoskettimesta ennen

koneeseen tehtäviä toimempiteitä.



Lue käyttöohjeet huolellisesti, ennen koneen

käynnistämistä.



Lisälaitte - Ei sisälly vakiovarustukseen, saatavana

lisätarvikkeena.



Sähkölaitteita ei saa hävittää yhdessä

kotitalousjätteiden kanssa.

Sähkö- ja elektroniset laitteet tulee kerätä erikseen

ja toimittaa kierrätysliikkeeseen

ympäristöstävällistä hävittämistä varten.

Pyydä paikallisilta viranomaisilta tai alan

kauppiailtasi tarkemmat tiedot kierrätyspisteistä ja

keräyspaikoista.



Suojaluokan II sähkötyökalu.

Sähkötyökalu, jonka sähköiskun suojaus ei ole

riippuvainen ainoastaan peruseristyksestä, vaan

myös siitä, että käytetään lisäturvatoimia, kuten

kaksinkertaista eristystä tai vahvistettua eristystä.

Laitteessa ei ole suojohtojen liittämiseen

tarvittavia varusteita.



CE-merkki



Regulatory Compliance Mark (RCM). Tuote on

pätevien ohjesääntöjen mukainen.



EurAsian-vaatimustenmukaisuusmerkki.

ΤΕΧΝΙΚΑ ΣΤΟΙΧΕΙΑ	K500 S	K545 S
Αριθμός παραγωγής.....	4421 66 01.....	4422 01 01.....
.....	4421 58 01.....	4421 96 01.....
.....	4326 06 01.....	4324 51 01.....
.....	4077 95 01.....	4260 25 01.....
.....	4078 00 01.....	4260 15 01.....
.....	..00001-999999	..00001-999999
Ονομαστική ισχύς	1300 W.....	1300 W
Αποδιδόμενη ισχύς	650 W.....	650 W
Αριθμός στροφών χωρίς φορτίο	300 min ⁻¹	300 min ⁻¹
Μέγιστος αριθμός στροφών με φορτίο.....	300 min ⁻¹	300 min ⁻¹
Μέγιστος αριθμός κρούσεων με φορτίο	2840 min ⁻¹	2840 min ⁻¹
Ισχύς μεμονωμένης κρούσης κατά EPTA-Procedure 05/2009	8,5 J	8,5 J
Ø τρύπα σε σκυρόδεμα (μπετόν)	45 mm	45 mm
Τρυπάνι τούνελ σε μπετόν, κεραμίδια και ασβεστολιθικό ψαμίμη	65 mm	65 mm
Κορώνα κοίλου τρυπανιού σε μπετόν, κεραμίδια και ασβεστολιθικό ψαμίμη	100 mm	100 mm
Ø λαμιού σύσφιξης	66 mm	66 mm
Βάρος σύμφωνα με τη διαδικασία EPTA 01/2003	6,3 kg	6,7 kg

Πληροφορίες θορύβου K545 S

Τιμές μέτρησης εξακριβωμένες κατά EN 60 745.

Η σύμφωνα με την καμπύλη A εκτιμηθείσα στάθμη θορύβου του μηχανήματος αναφέρεται σε:

Στάθμη ηχητικής πίεσης (Ανασφάλεια K=3dB(A)).....	98,5 dB (A)
Στάθμη ηχητικής ισχύος (Ανασφάλεια K=3dB(A)).....	109,5 dB (A)

Φοράτε προστασία ακοής (ωτασπίδες)!

Πληροφορίες θορύβου K500 S

Τυπική A αξιολογημένη στάθμη θορύβου:..... 91 dB (A)

Η τιμή μέτρησης υπολογίστηκε σύμφωνα με το 2005/88/ΕΚ στο αυτό του χρήστη.

2005/88/ΕΚ: Μέθοδος αξιολόγησης συμμόρφωσης σύμφωνα με το παράρτημα VI. Ονομαζόμενη υπηρεσία:

VDE Testing and Certification Institute, Merianstr. 28, 63069 Offenbach, Germany

Μετρημένη στάθμη ηχητικής ισχύος	101 dB (A)
Εγγυημένη στάθμη ηχητικής ισχύος	104 dB (A)

Φοράτε προστασία ακοής (ωτασπίδες)!

Πληροφορίες δονήσεων

Υλικές τιμές κραδασμών (άθροισμα διανυσμάτων τριών διευθύνσεων) εξακριβώθηκαν σύμφωνα με τα πρότυπα EN 60745.

Τρύπημα, Σκυρόδεμα (μπετόν):

Τιμή εκπομπής δονήσεων a _h	11,5 m/s ²
Ανασφάλεια K=.....	1,5 m/s ²

Σμίλευση	
Τιμή εκπομπής δονήσεων a _h	11,5 m/s ²
Ανασφάλεια K=.....	1,9 m/s ²

ΠΡΟΕΙΔΟΠΟΙΗΣΗ

Το αναφερόμενο σ' αυτές τις οδηγίες επίπεδο δονήσεων έχει μετρηθεί με μια τυποποιημένη σύμφωνα με το EN 60745 μέθοδο μέτρησης και μπορεί να χρησιμοποιηθεί για τη σύγκριση των ηλεκτρικών εργαλείων μεταξύ τους. Αυτό είναι επίσης κατάλληλο για μια προσωρινή εκτίμηση της επιβάρυνση των δονήσεων.

Το αναφερόμενο επίπεδο δονήσεων αντιπροσωπεύει τις κύριες χρήσεις του ηλεκτρικού εργαλείου. Εάν όμως το ηλεκτρικό χρησιμοποιείται σε άλλες χρήσεις, με διαφορετικά εργαλεία εφαρμογής ή ανεπαρκή συντήρηση, μπορεί να υπάρξει απόκλιση του επιπέδου δονήσεων. Αυτό μπορεί να αυξήσει σημαντικά την επιβάρυνση των δονήσεων για τη συνολική διάρκεια της εργασίας

Για μια ακριβή εκτίμηση της επιβάρυνσης των δονήσεων οφείλουν επίσης να λαμβάνονται υπόψη οι χρόνοι, στους οποίους η συσκευή είναι απενεργοποιημένη ή είναι μεν ενεργοποιημένη αλλά δεν χρησιμοποιείται πραγματικά. Αυτό μπορεί να μειώσει σημαντικά την επιβάρυνση των δονήσεων για τη συνολική διάρκεια της εργασίας.

Καθορίζετε πρόσθετα μέτρα ασφαλείας για την προστασία του χειριστή από την επίδραση των δονήσεων όπως για παράδειγμα: Συντήρηση του ηλεκτρικού εργαλείου και των εργαλείων εφαρμογής, διατηρείτε ξεστά τα χέρια, οργάνωση των διαδικασιών εργασίας.

⚠ ΠΡΟΣΟΧΗ! Διαβάστε όλες τις οδηγίες ασφαλείας και τις οδηγίες χρήσεως.

Αμέλειες κατά την τήρηση των προειδοποιητικών υποδείξεων μπορεί να προκαλέσουν ηλεκτροπληξία, κίνδυνο πυρκαγιάς ή/και σοβαρούς τραυματισμούς.

Φυλάξτε όλες τις προειδοποιητικές υποδείξεις και οδηγίες για κάθε μελλοντική χρήση.

⚠ Οδηγίες ασφαλείας για περιστροφικό πιστόλετο

Κατά την κρουστική διάτρηση φοράτε ωτασπίδες. Η επίδραση του θορύβου μπορεί να προκαλέσει απώλεια ακοής.

Χρησιμοποιείτε με τη συσκευή τις προμηθευόμενες πρόσθετες χειρολαβές. Η απώλεια ελέγχου μπορεί να οδηγήσει σε τραυματισμό.

Να πιάνετε τη συσκευή στις μονωμένες χειρολαβές όταν εκτελείτε εργασίες κατά τις οποίες τα κοπτικά εργαλεία θα μπορούσαν να πέσουν επάνω σε κρυμμένα καλώδια ρεύματος ή στο δικό της καλώδιο. Η επαφή

αντίδρασης. Βρείτε την απία του μπλοκαρίσματος της αρίδας και ξεμπλοκάρετε την λαμβάνοντας υπόψη τις οδηγίες ασφαλείας.

Πιθανές αιτίες:

- Η αρίδα μάγκωσε με το προς κατεργασία κομμάτι.
- Στάσιμο του προς κατεργασία υλικού.
- Υπερφόρτωση του ηλεκτρικού εργαλείου.

Μην απλώνετε τα χέρια σας στην επικίνδυνη περιοχή της μηχανής όταν είναι σε λειτουργία.

Η θερμοκρασία της αρίδας μπορεί να φτάσει σε υψηλά επίπεδα κατά τη λειτουργία.

ΠΡΟΕΙΔΟΠΟΙΗΣΗ! Κίνδυνος εγκαύματος

- κατά την αλλαγή εργαλείου (αρίδας)
- κατά την απόθεση της συσκευής

Τα γρέζια ή οι σκλήθρες δεν επιτρέπεται να απομακρύνονται όσο η μηχανή βρίσκεται σε λειτουργία.

Κρατάτε το καλώδιο σύνδεσης πάντοτε μακριά από την περιοχή δράσης της μηχανής. Περνάτε το καλώδιο πάντοτε πίσω από τη μηχανή.

Κατά τις εργασίες σε τοίχο, οροφή ή δάπεδο προσέχετε για τυχόν ηλεκτρικά καλώδια και για σωληνώσεις αερίου και νερού.

Ασφαλίστε το προς κατεργασία κομμάτι στη μέγερνη ή με μια άλλη διάταξη στερέωσης. Μη ασφαλισμένα προς κατεργασία κομμάτια μπορεί να προκαλέσουν σοβαρούς τραυματισμούς και ζημιές.

Πριν από κάθε εργασία στη μηχανή τραβάτε το φως από την πρίζα.

Σε μεγάλες διαμέτρους διάτρησης πρέπει η συμπληρωματική χειρολαβή να στερεωθεί με ορθή γωνία προς την κύρια χειρολαβή. (Βλέπε επίσης στην εικόνα, τμήμα "Περιστροφή χειρολαβής").

ΧΡΗΣΗ ΣΥΜΦΩΝΑ ΜΕ ΤΟ ΣΚΟΠΟ ΠΡΟΟΡΙΣΜΟΥ

K545 S: Το περιστροφικό πιστόλετο μπορεί να χρησιμοποιηθεί γενικά για κρουστικό τρύπημα και καλέμισμα σε πετρώματα.

K500 S: Το πιστόλετο πιστόλετο μπορεί να χρησιμοποιηθεί για κρουστικό τρύπημα και καλέμισμα σε πετρώματα.

Αυτή η συσκευή επιτρέπεται να χρησιμοποιηθεί μόνο σύμφωνα με τον αναφερόμενο σκοπό προορισμού.

ΔΗΛΩΣΗ ΠΙΣΤΟΤΗΤΑΣ ΕΚ

Δηλώνουμε υπεύθυνα ότι το προϊόν που περιγράφεται στο κεφάλαιο «Τεχνικά χαρακτηριστικά» είναι συμβατό με τις διατάξεις της Κοινοτικής Οδηγίας 2011/65/ΕΥ (RoHS), 2004/108/ΕΚ, 2006/42/ΕΚ και με τα ακόλουθα εναρμονισμένα κανονιστικά έγγραφα:

EN 60745-1:2009 + A11:2010

EN 60745-2-6:2010

EN 55014-1:2006 + A1:2009 + A2:2011

EN 55014-2:1997 + A1:2001 + A2:2008

EN 61000-3-2:2006 + A1:2009 + A2:2009

EN 61000-3-3:2008

EN 50581:2012

Winnenden, 2014-07-08

Alexander Krug

Alexander Krug
Managing Director

Εξουσιοδοτημένος να συντάξει τον τεχνικό φάκελο.

Techtronic Industries GmbH

Max-Eyth-Straße 10

71364 Winnenden

Germany

ΣΥΝΔΕΣΗ ΣΤΟ ΗΛΕΚΤΡΙΚΟ ΔΙΚΤΥΟ

Οι πρίζες στους εξωτερικούς χώρους πρέπει να είναι εξωπλισμένες με μικροαυτόματους διακόπτες προστασίας (FI, RCD, PRCD). Αυτό απαιτεί ο σχετικός κανονισμός από την ηλεκτρική σας εγκατάσταση. Προσέξτε παρακαλώ αυτό το σημείο κατά τη χρήση της συσκευής μας.

Συνδέστε μόνο σε μονοφασικό εναλλασσόμενο ρεύμα και μόνο σε τάση δικτύου όπως αναφέρεται στην πινακίδα τεχνικών χαρακτηριστικών. Η σύνδεση είναι

επίσης εφικτή σε πρίζες χωρίς προστασία επαφής, διότι έχει προβλεφθεί εξοπλισμός κατηγορίας προστασίας II.

Συνδέστε τη συσκευή στην πρίζα μόνο όταν είναι απενεργοποιημένη.

Αυτό είναι ένα εργαλείο για επαγγελματική χρήση, το οποίο μπορεί να υπερβεί ελαφρώς τις ενδεικτικές τιμές για αρμονικές ρεύματα κατά τη σύνδεση στο δημόσιο δίκτυο χαμηλής τάσης. Για το λόγο αυτό πριν από τη σύνδεση του εργαλείου στο δημόσιο δίκτυο χαμηλής τάσης έρχεστε σε επαφή κατά περίπτωση με την αρμόδια δημόσια επιχείρηση ηλεκτρισμού.

ΣΥΝΤΗΡΗΣΗ

Διατηρείτε πάντοτε τις σχισμές εξερισμού της μηχανής καθαρές.

Σε περίπτωση που οι ψήκτρες (καρβουνάκια) είναι φθαρμένες πρέπει εκτός της αλλαγής τους να εκτελεστεί και ένα σέρβις σε ένα συμβεβλημένο συνεργείο. Αυτό μεγάλωνει τη διάρκεια ζωής της μηχανής και εγγυάται μια συνεχή ετοιμότητα λειτουργίας.

Όταν έχει υποστεί ζημιά το καλώδιο ηλεκτρικής σύνδεσης, πρέπει αυτό να αντικατασταθεί σε μια υπηρεσία τεχνικής υποστήριξης πελατών, διότι απαιτείται ειδικό εργαλείο.

Χρησιμοποιείτε μόνο εξαρτήματα και ανταλλακτικά της Milwaukee. Αναθέστε την αλλαγή των εξαρτημάτων, των οποίων η αντικατάσταση δεν έχει περιγραφεί, σ' ένα κέντρο σέρβις της Milwaukee (προσέξτε το χειρίδιο Εγγύηση/Διευθύνσεις εξυπηρέτησης πελατών).

Όταν χρειάζεται, μπορείτε να ζητήσετε ένα σχέδιο συναρμολόγησης της συσκευής, δίνοντας τον τύπο της μηχανής και αριθμό στην πινακίδα ισχύος, από το κέντρο σέρβις ή απευθείας από τη φίρμα Techtronic Industries GmbH, Max-Eyth-Straße 10, 71364 Winnenden, Germany.

ΣΥΜΒΟΛΑ



ΠΡΟΣΟΧΗ! ΠΡΟΕΙΔΟΠΟΙΗΣΗ! ΚΙΝΔΥΝΟΣ!



Πριν από κάθε εργασία στη μηχανή τραβάτε το φως από την πρίζα.



Παρακαλώ διαβάστε σχολαστικά τις οδηγίες χρήσης πριν από την έναρξη λειτουργίας.



Εξαρτήματα - Δεν περιλαμβάνονται στα υλικά παράδοσης, συνιστούμενη προσθήκη από το πρόγραμμα εξαρτημάτων.



Ηλεκτρικά μηχανήματα δεν επιτρέπεται να απορριπτόνται μαζί με τα οικιακά απορρίμματα. Ηλεκτρικά και ηλεκτρονικά μηχανήματα συλλέγονται ξεχωριστά και παραδίδονται προς ανακύκλωση με τρόπο φιλικό προς το περιβάλλον σε επιχείρηση επεξεργασίας απορριμμάτων. Ενημερωθείτε από τις τοπικές υπηρεσίες ή από ειδικευμένους εμπόρους σχετικά με κέντρα ανακύκλωσης και συλλογής απορριμμάτων.



Ηλεκτρικό εργαλείο κατηγορίας ασφάλειας II. Ηλεκτρικό εργαλείο στο οποίο η προστασία από ηλεκτροπληξία δεν εξαρτάται μόνο από τη βασική μόνωση αλλά και από συμπληρωματικά μέτρα ασφαλείας όπως διπλή ή ενισχυμένη μόνωση. Δεν υπάρχει εξοπλισμός για να συνδεθεί με την γείωση.

Σήμα συμμόρφωσης CE



Regulatory Compliance Mark (RCM). Το προϊόν τηρεί τις ισχύουσες προδιαγραφές.



EurAsian σήμα πιστότητας.



TEKNİK VERİLER	K500 S	K545 S
Üretim numarası	4421 66 01...	4422 01 01...
.....	4421 58 01...	4421 96 01...
.....	4326 06 01...	4324 51 01...
.....	4077 95 01...	4260 25 01...
.....	4078 00 01...	4260 15 01...
.....	..000001-999999	..000001-999999
Giriş gücü	1300 W.....	1300 W
Çıkış gücü.....	650 W.....	650 W
Boşta ki devir sayısı.....	300 min ⁻¹
Yükteki maksimum devir sayısı	300 min ⁻¹
Yükteki maksimum darbe sayısı	2840 min ⁻¹	2840 min ⁻¹
EPTA-Procedure 05/2009'a göre tek darbe kuvveti	8,5 J	8,5 J
Delme çapı beton	45 mm
Beton, tuğla ve kireçli kum taşında tünel açıcı	65 mm
Beton, tuğla ve kireçli kum taşında buat uçları	100 mm
Germe boynu çapı	66 mm	66 mm
Ağırlığı ise EPTA-üretici 01/2003'e göre.....	6,3 kg	6,7 kg

Gürültü bilgileri K545 S

Ölçüm değerleri EN 60 745 e göre belirlenmektedir.

Aletin, frekansa bağımlı uluslararası ses basıncı seviyesi

değerlendirme eğrisi A'ya göre tipik gürültü seviyesi:

Ses basıncı seviyesi (Tolerans K=3dB(A))

Akustik kapasite seviyesi (Tolerans K=3dB(A))

Koruyucu kulaklık kullanın!

Gürültü bilgileri K500 S

Aletin A değerlendirmeli gürültü seviyesi tipik olarak şu değerdedir:

Ölçme değeri 2005/88/AB hükümlerine göre kullanıcının kulağına gelen ses olarak belirlenmiştir.

2005/88/AB: Ek VI'ya göre uygunluk değerlendirme yöntemi. Yetkili merci: VDE Testing and Certification Institute, Merianstr. 28, 63069 Offenbach, Almanya

Ölçülen gürültü emisyonu seviyesi

Garanti edilen gürültü emisyonu seviyesi

Koruyucu kulaklık kullanın!

Vibrasyon bilgileri

Toplam titreşim değeri (üç yönün vektör toplamı) EN 60745'e göre belirlenmektedir:

Delme, beton: Titreşim emisyon değeri a_h

Tolerans K=

Keskileme Titreşim emisyon değeri a_h

Tolerans K=

UYARI

Bu talimatlarda belirtilen titreşim seviyesi, EN 60745 standardına uygun bir ölçme metodu ile ölçülmüştür ve elektrikli el aletleri birbiriyle karşılaştırmak için kullanılabilir. Ölçüm sonuçları ayrıca titreşim yükünün geçici değerlendirilmesi için de uygundur.

Belirtilen titreşim seviyesi, elektrikli el aletinin genel uygulamaları için geçerlidir. Ancak elektrikli el aleti başka uygulamalar için, farklı eklenti parçalarıyla ya da yetersiz bakım koşullarında kullanılırsa, titreşim seviyesi farklılık gösterebilir. Bu durumda, titreşim yükü toplam çalışma zaman aralığı içerisinde belirgin ölçüde yükselebilir.

Titreşim yükünün tam bir değerlendirmesi için ayrıca cihazın kapalı olduğu süreler ve cihazın çalışır durumda olduğu, ancak gerçek kullanımda bulunmadığı süreler de dikkate alınmalıdır. Böylelikle, toplam çalışma zamanı aralığı boyunca meydana gelen titreşim yükü belirgin ölçüde azaltılabilir.

Kullanıcıyı titreşimlerin etkisinden korumak üzere, örneğin elektrikli el aletlerinin ve eklenti parçalarının bakımı, ellerin sıcak tutulması ve iş akışlarının organizasyonu gibi ek güvenlik tedbirleri belirleyiniz.

UYARI! Bütün güvenlik notlarını ve talimatları okuyunuz.

Açıklanan uyarılara ve talimat hükümlerine uyulmadığı takdirde elektrik çarpmalarına, yangınlara ve/veya ağır yaralanmalara neden olunabilir.

Bütün uyarıları ve talimat hükümlerini ileride kullanmak üzere saklayın.

Matkap çekici ilişkin güvenlik uyarıları

Tepmeli matkap olarak işleme için koruma cihazı taşıyınız.

Gürültü etkisi işleme kaybını etkiler.

Aletle birlikte teslim edilen ek tutamakları kullanın. Aletin kontrolnden çıkması kazalara neden olabilir.

Kesme aletinin eğrilmiş elektrik kabloları veya kendi kablosuna isabet eden çalışmalar yapılırken cihazı izole

edilmiş kollarından tutun. Kesme aletinin içinden elektrik akımı geçen kablo ile temas etmesi durumunda elektrik akımı cihazın metal kısımlarına geçer ve elektrik çarpmasına sebebiyet verebilir.

Ek güvenlik ve çalışma talimatları

Koruma teçhizatı kullanın.Makinada çalışırken devamlı surette koruyucu gözlük takın. Koruyucu elbise ve tozlardan korunma maskesi, emniyet eldivenleri ve sağlam ve kaymaya mukavim ayakkabı giyin. Başlık ve kulaklık tavsiye edilir.

Çalışma sırasında ortaya çıkan toz genellikle sağlığı zararlıdır ve bedeninize temas etmemelidir. Uygun bir koruyucu toz maskesi kullanın

Sağlık tehlikelerine neden olan malzemelerin işlenmesi yasaktır (örn. asbest).

Uca yerleştirilen takımın bloke olması halinde lütfen cihazı hemen kapatın! Uca yerleştirilen takım bloke olduğu sürece cihazı tekrar çalıştırmayın; bu sırada yüksek reaksiyon momentine sahip bir gerilim meydana gelebilir. Uca yerleştirilen takımın neden bloke olduğuna bakın ve bu durumu güvenlik uyarılarına dikkat ederek gidin.

Olası nedenler şunlar olabilir:

- İşlenen parça içinde takılma
- İşlenen malzemenin delinmesi
- Elektrikli alete aşırı yük binmesi

Ellerinizi çalışmakta olan makinenin içine uzatmayın.

Uca yerleştirilen takım kullanırken sırasında ısınabilir.

UYARI! Yanma tehlikesi

- takım değiştirme sırasında
- aletin yere bırakılması sırasında

Alet çalışır durumda iken talaş ve kırpıntılar temizlemeye çalışmayın.

Bağlantı kablosunu aletten uzak tutun. Kablo daima aletin arkasında olmalıdır ve toplanmamalıdır.

Duvar, tavan ve zeminde delik açarken elektrik kablolarına, gaz ve su borularına dikkat edin.

İşlenen parçayı bir germe tertibatıyla emniyete alın. Emniyete alınmayan iş parçaları ağır yaralanmalar ve hasarlara neden olabilir.

Aletin kendinde bir çalışma yapmadan önce fişi prizden çekin.

Büyük delik çaplarında ilave sap ana tutamağa dik açılı olarak tespit edilmelidir. Bakınız: Resimli kısım, "Tutamağın çevrilmesi" bölümü.

KULLANIM

K545 S: Bu kırıcı-delici taştaki darbeli delme ve kesme işlerinde çok yönlü olarak kullanılabilir.

K500 S: Bu kırıcı, şantiyedeki zor kesme ve kırma işlerinde kullanılabilir.

Bu alet sadece belirttiği gibi ve usulüne uygun olarak kullanılabilir.

CE UYGUNLUK BEYANI

Tek sorumlu olarak "Teknik Veriler" bölümünde tarif edilen ürünün 2011/65/EU (RoHS), 2004/108/EC, 2006/42/EC sayılı direktifin ve aşağıdaki harmonize temel belgelerin bütün önemli hükümlerine uygun olduğunu beyan etmekteyiz:

EN 60745-1:2009 + A11:2010

EN 60745-2-6:2010

EN 55014-1:2006 + A1:2009 + A2:2011

EN 55014-2:1997 + A1:2001 + A2:2008

EN 61000-3-2:2006 + A1:2009 + A2:2009

EN 61000-3-3:2008

EN 50581:2012

Winnenden, 2014-07-08

Alexander Krug

Managing Director

Teknik evrakları hazırlamakla görevlendirilmiştir.

Techtronic Industries GmbH

Max-Eyth-Straße 10

71364 Winnenden

Germany

ŞEBEKE BAĞLANTISI

Açık havadaki prizler hatalı akım koruma şalteri (FI, RCD, PRCD) ile donatılmış olmalıdır. Bu, elektrik tesisatınızdaki bir zorunluluktur. Lütfen aletimizi kullanırken bu hususa dikkat edin.

Aleti sadece tek fazlı alternatif akıma ve tip etiketi üzerinde belirtilen şebeke gerilimine bağlayın. yapısı Koruma sınıfı II'ye girdiğinden alet koruyucu kontaklı prize de bağlanabilir.

Aleti sadece kapalı iken prize takın.

Bu cihaz profesyonelce kullanılan bir cihaz olup, kamuya ait alçak voltaj şebekesine bağlantı yapılırken elektrik üst dalgalanmalarla ait yönlendirme değerlerini az bir şekilde aşabilir. Bu nedenle cihazı kamuya ait alçak voltaj şebekesine bağlamadan önce yetkili enerji tedarik şirketi ile irtibat kurun.

BAKIM

Aletin havalandırma aralıklarını daima temiz tutun.

Önemli açıklama! Yıpranan kömür fırçalar bir müşteri servisinde değiştirilmelidir. Bu sayede aletin kullanım ömrü uzar ve alet daima çalışmaya hazır olur.

Şebeke hatları hasarlı ise müşteri hizmetleri servisi tarafından değiştirilmesi gerekir, zira bunun için özel bir aparat gereklidir.

Sadece Milwaukee aksesuarını ve yedek parçalarını kullanın.

Değiştirilmesi açıklanmamış olan parçaları bir Milwaukee müşteri servisinde değiştirin (Garanti broşürüne ve müşteri servisi adreslerine dikkat edin).

Gerektiği takdirde aletin dağıtık görünüş şeması, alet tipinin ve tip etiketi üzerindeki sayının bildirilmesi koşuluyla müşteri servisinden veya doğrudan Techtronic Industries GmbH, Max-Eyth-Straße 10, 71364 Winnenden, Germany adresinden istenebilir.

SEMBOLLER



DİKKAT! UYARI! TEHLİKE!



Aletin kendinde bir çalışma yapmadan önce fişi prizden çekin.



Lütfen aleti çalıştırmadan önce kullanma kılavuzunu dikkatli biçimde okuyun.



Aksesuar - Teslimat kapsamında değildir, önerilen tamamlamalar aksesuar programında.



Elektrikli cihazların evsel atıklarla birlikte bertaraf edilmesi yasaktır. Elektrikli ve elektronik cihazlar ayrılarak biriktirilmesi ve çevreye zarar vermeden bertaraf edilmeleri için bir atık değerlendirme tesisine götürülmelidir. Yerel makamlara veya satıcınıza geri dönüşüm tesisleri ve atık toplama merkezlerinin yerlerini danışınız.



Koruma sınıfı II olan elektrikli aletler. Elektrik çarpmasına karşı korumanın sadece temel izolasyona bağlı olmayıp, aynı zamanda çift izolasyon veya takviyeli izolasyon gibi ek koruyucu önlemlerin alınmasına bağlı olan elektrikli alet. Bir koruyucu iletken bağlamak için düzeneği bulunmamaktadır.



CE işareti



Regulatory Compliance Mark (RCM). Ürün yürürlükteki kuralları karşılamaktadır.



EurAsian Uyumluluk işareti

TECHNICKÁ DATA	K500 S	K545 S
Výrobní číslo.....	4421 66 01....	4422 01 01....
.....	4421 58 01....	4421 96 01....
.....	4326 06 01....	4324 51 01....
.....	4077 95 01....	4260 25 01....
.....	4078 00 01....	4260 15 01....
.....	..000001-999999	..000001-999999
Jmenovitý příkon	1300 W.....	1300 W
Odběr.....	650 W.....	650 W
Počet otáček při běhu naprázdno.....	300 min ⁻¹	300 min ⁻¹
Počet otáček při zatížení max	300 min ⁻¹	300 min ⁻¹
Počet úderů max	2840 min ⁻¹	2840 min ⁻¹
Intenzita jednotlivých úderů podle EPTA-Procedure 05/2009	8,5 J	8,5 J
Vrtací ø v betonu	45 mm	45 mm
Dutá vrtací korunka do betonu, cihel a vápence	65 mm	65 mm
Tunelový vrták do betonu, cihel a vápence	100 mm	100 mm
ø upínacího krčku	66 mm	66 mm
Hmotnost podle prováděcího předpisu EPTA 01/2003.....	6,3 kg	6,7 kg

Informace o hluku K545 S

Naměřené hodnoty odpovídají EN 60 745.

V třídě A posuzovaná hladina hluku přístroje činí typicky:

Hladina akustického tlaku (Kolísavost K=3dB(A)).....	98,5 dB (A)
Hladina akustického výkonu (Kolísavost K=3dB(A)).....	109,5 dB (A)

Používejte chrániče sluchu !

Informace o hluku K500 S

Typická vážená 91 dB (A)

Naměřená hodnota odpovídá 2005/88/EC u ucha uživatele

2005/88/EC : postup prohlášení o shodě podle přílohy VI. Notifikovaná osoba :

VDE Prüf- und Zertifizierungsinstitut,

Merianstr. 28,

63069 Offenbach, Germany

Naměřená hladina akustického výkonu 101 dB (A)

Zaručená hladina akustického výkonu 104 dB (A)

Používejte chrániče sluchu !

Informace o vibracích

Celkové hodnoty vibrací (vektorový součet tří směrů) zjištěné ve smyslu EN 60745.

Vrtání v betonu:

Hodnota vibračních emisí a_v.....11,5 m/s²

Kolísavost K= 1,5 m/s²

Sekání

Hodnota vibračních emisí a_v.....11,5 m/s² 9 m/s²

Kolísavost K= 1,9 m/s² 1,9 m/s²

VAROVÁNÍ

Úroveň chvění uvedená v tomto návodu byla naměřena podle metody měření stanovené normou EN 60745 a může být použita pro porovnání elektrického nářadí. Hodí se také pro průběžný odhad zatížení chvěním.

Uvedená úroveň chvění představuje hlavní účely použití elektrického nářadí. Jestliže se ale elektrické nářadí používá pro jiné účely, s odlišnými nástroji nebo s nedostatečnou údržbou, může se úroveň chvění odlišovat. To může značně zvýšit zatížení chvěním během celé pracovní doby.

Pro přesný odhad zatížení chvěním se musí také zohlednit časy, během kterých je přístroj vypnutý nebo kdy je sice v chodu, ale skutečně se s ním nepracuje. To může zatížení chvěním během celé pracovní doby značně snížit.

Stanovte doplňková bezpečnostní opatření pro ochranu obsluhy před účinky chvění jako například: technická údržba elektrického nářadí a nástrojů, udržování teploty rukou, organizace pracovních procesů.

UPOZORNĚNÍ! Přečtěte si všechny bezpečnostní pokyny a návody. Zanedbání při dodržování varovných upozornění a pokynů mohou mít za následek úder elektrickým proudem, požár a/nebo těžká poranění.

Všechna varovná upozornění a pokyny do budoucna uschovejte.

Bezpečnostní pokyny pro vrtací kladiva

Při vrtání s přiklepem používejte prostředky k ochraně sluchu. Nadměrný hluk může vést ke ztrátě sluchu.

Používejte doplňková madla dodávaná s přístrojem. Nedostatečným držetím by mohlo dojít ke zranění.

Při provádění prací, při kterých nástroj může narazit na skryta elektrická vedení nebo na vlastní kabel, držte přístroj za izolované přidržovací plošky. Kontakt fezného nástroje s

vedením pod napětím může vést k přenosu napětí na kovové části přístroje a k úrazu elektrickým proudem.

Další bezpečnostní a pracovní pokyny

Použijte ochranné vybavení. Při práci s elektrickým nářadím používejte vždy ochranné brýle. Doporučujeme rovněž použití součástí ochranného oděvu a ochranné obuvi, jako protiprašné masky, ochranných rukavic, pevné a nekouzající obuvi, ochranné přilby a ochrany sluchu.

Prach vznikající při práci s tímto nářadím může být zdraví škodlivý. Proto by neměl přijít do styku s tělem. Používejte při práci vhodnou ochranou masku.

Nesmějí se opravovat materiály, které mohou způsobit ohrožení zdraví (např. azbest)

Při zablokování nasazeného nástroje přístroj okamžitě vypněte! Přístroj nezapínajte, pokud je nasazený nástroj zablokovaný; mohl by při tom vzniknout zpětný náraz s vysokým reakčním momentem. Zjistíte příčinu zablokování nasazeného nástroje a odstraňte ji při dodržení bezpečnostních pokynů.

Možnými příčinami mohou být:

- vzpříčení v opracovávaném obrobku
- přelomení opracovávaného materiálu
- přetížení elektrického přístroje

Nezasahujte do běžícího stroje.

Nasazený nástroj se může během používání rozpálit.

VAROVÁNÍ! Nebezpečí popalení.

- při výměně nástroje
- při odkládání přístroje

Pokud stroj běží, nesmí být odstraňovány třísky nebo odštěpky.

Neustále dbát na to, aby byl kabel pro připojení k elektrické síti mimo dosah stroje. Kabel vést vždy směrem dozadu od stroje.

Při vrtání do zdi, stropu nebo podlahy dávat pozor na elektrické kabely, plynová a vodovodní potrubí.

Obrobek zabezpečte upínacím zařízením. Nezabezpečené obrobky mohou způsobit těžká poranění a poškození.

Před zahájením veškerých prací na stroji vytáhnout síťovou zástrčku ze zásuvky.

Při vrtání velkými průměry vrtáků musí být přední madlo v poloze kolmé k hlavnímu madlu. Viz. Obrazová část, oddíl "Natočení madla".

OBLAST VYUŽITÍ

K545 S: Vrtací kladivo je univerzálně použitelné k vrtání s přiklepem a sekání do kamene a betonu.

K500 S: Kladivo je použitelné k sekání do kamene a betonu.

Toto zařízení lze používat jen pro uvedený účel.

CE-PROHLÁŠENÍ O SHODĚ

Výhradně na vlastní zodpovědnost prohlašujeme, že se výrobek popsaný v "Technických údajích" shoduje se všemi relevantními předpisy směrnice 2011/65/EU (RoHS), 2004/108/ES, 2006/42/ES a s následujícími harmonizovanými normativními dokumenty:

EN 60745-1:2009 + A11:2010

EN 60745-2-6:2010

EN 55014-1:2006 + A1:2009 + A2:2011

EN 55014-2:1997 + A1:2001 + A2:2008

EN 61000-3-2:2006 + A1:2009 + A2:2009

EN 61000-3-3:2008

EN 50581:2012

Winnenden, 2014-07-08

Alexander Krug

Alexander Krug
Managing Director



Zplnomocněn k sestavování technických podkladů.

Techtronic Industries GmbH

Max-Eyth-Straße 10

71364 Winnenden

Germany

PŘIPOJENÍ NA SÍŤ

Ve venkovním prostředí musí být zásuvky vybaveny proudovým chráničem (FI, RCD, PRCD). Je to vyžadováno instalačním předpisem pro toto el.zařízení. Dodržujte ho při používání tohoto nářadí, prosím.

Připojit pouze do jednofázové střídavé sítě o napětí uvedeném na štítku. Lze připojit i do zásuvky bez ochranného kontaktu neboť spotřebič je třídy II.

Přívodní kabel zapojit do zásuvky jen při vypnutém stroji.

Toto je přístroj k profesionálnímu užívání, který může mírně překračovat směrné hodnoty pro harmonické vlny při připojení na veřejnou nízkonapěťovou síť. Kontaktujte proto před připojením přístroje na veřejnou nízkonapěťovou síť svého příslušného dodavatele energie.

ÚDRŽBA

Větrací štěrby nástrojů udržujeme stále čisté.

Při obroušení uhlíků je nutná jejich výměna v odborném servisu. Zaručuje to i prodloužení životnosti stroje a jeho spolehlivost v provozu.

Dojde-li k poškození přívodního kabelu, nechte jej vyměnit v autorizovaném servisu, protože k výměně je zapotřebí speciální nástroj.

Používejte výhradně náhradní díly a příslušenství Milwaukee. Díly, jejichž výměna nebyla popsána, nechte vyměnit v odborném servisu Milwaukee. (Viz záruční list.)

Při potřebě podrobného rozkresu konstrukce, oslovte informací o typu a čísle přímo servis a nebo výrobce, Techtronic Industries GmbH, Max-Eyth-Straße 10, 71364 Winnenden, Germany.

SYMBOLY



POZOR! VAROVÁNÍ! NEBEZPEČÍ!



Před zahájením veškerých prací na stroji vytáhnout síťovou zástrčku ze zásuvky.



Před spuštěním stroje si pečlivě přečtěte návod k používání.



Příslušenství není součástí dodávky, viz program příslušenství.



Elektrické přístroje se nesmí likvidovat společně s odpadem z domácnosti. Elektrické a elektronické přístroje je třeba sbírat odděleně a odevzdat je v recyklačním podniku na ekologickou likvidaci. Na místních úřadech nebo u vašeho specializovaného prodejce se informujte na recyklační podniky a sběrné dvory.



Elektrický přístroj s třídou ochrany II. Elektrický přístroj, u kterého ochrana před zásahem el. proudem závisí nejen na základní izolaci, ale i na tom, že budou použita také doplňková ochranná opatření, jakými jsou dvojité izolace nebo zesílená izolace. Neexistuje žádné zařízení pro připojení ochranného vodiče.



Značka CE



Regulatory Compliance Mark (RCM). Produkt splňuje platné předpisy.



Euroasijská značka shody

TECHNICKÉ ÚDAJE	K500 S	K545 S
Výrobné číslo.....	4421 66 01...	4422 01 01...
.....	4421 58 01...	4421 96 01...
.....	4326 06 01...	4324 51 01...
.....	4077 95 01...	4260 25 01...
.....	4078 00 01...	4260 15 01...
.....	..000001-999999	..000001-999999
Menovitý príkon.....	1300 W.....	1300 W
Výkon.....	650 W.....	650 W
Otáčky naprázdno.....	300 min ⁻¹	300 min ⁻¹
Max. otáčky pri záťaži.....	300 min ⁻¹	300 min ⁻¹
Max. počet úderov pri záťaži.....	2840 min ⁻¹	2840 min ⁻¹
Intenzita jednotlivých vĺkpevov podľa EPTAProcedure 05/2009.....	8,5 J.....	8,5 J
Priemer vrtu do betónu.....	45 mm.....	45 mm
Tunelový vrták do betónu, tehly a vápencového pieskovca.....	65 mm.....	65 mm
Jadrová vŕtacia hlavica do betónu, tehly a vápencového pieskovca.....	100 mm.....	100 mm
Priemer upínacieho hrdla.....	66 mm.....	66 mm
Hmotnosť podľa vykonávacieho predpisu EPTA 01/2003.....	6,3 kg.....	6,7 kg

Informácia o hluku K545 S

Namerané hodnoty určené v súlade s EN 60 745.

V triede A posudzovaná hladina hluku prístroja činí typicky:

Hladina akustického tlaku (Kolísavosť K=3dB(A)).....	98,5 dB (A)
Hladina akustického výkonu (Kolísavosť K=3dB(A)).....	109,5 dB (A)

Používajte ochranu sluchu!

Informácia o hluku K500 S

A-ohodnotená hladina akustického

tlaku prístroja činí..... 91 dB (A)

Nameraná hodnota určená v súlade s 2005/88/ES pri uchu užívateľa.

2005/88/ES: Postup hodnotenia konformity podľa prílohy VI.

Označený orgán: VDE Prüf- und Zertifizierungsinstitut (Skúšobný a

certifikačný ústav), Merianstr. 28,

63069 Offenbach, Nemecko

Nameraná hladina akustického výkonu..... 101 dB (A)

Garantovaná hladina akustického výkonu..... 104 dB (A)

Používajte ochranu sluchu!

Informácie o vibráciách

Celkové hodnoty vibrácií (vektorový súčet troch smerov) zistených zmysle EN 60745.

Vŕtanie do betónu:

Hodnota vibračných emisií a_n.....11,5 m/s²

Kolísavosť K=..... 1,5 m/s²

Osekávanie

Hodnota vibračných emisií a_n.....11,5 m/s²..... 9 m/s²

Kolísavosť K=..... 1,9 m/s²..... 1,9 m/s²

POZOR

Úroveň vibrácií uvedená v týchto pokynoch bola nameraná meracou metódou, ktorú stanovuje norma EN 60745 a je možné ju použiť na

vzájomné porovnanie elektrického náradia. Hodí sa aj na predbežné posúdenie kmitavého namáhania.

Uvedená úroveň vibrácií reprezentuje hlavné aplikácie elektrického náradia. Ak sa však elektrické náradie používa pre iné aplikácie, s

odlišnými vloženými nástrojmi alebo s nedostatočnou údržbou, môže sa úroveň vibrácií líšiť. Toto môže kmitavé namáhanie v priebehu celej

pracovnej doby podstatne zvýšiť.

Pre presný odhad kmitavého namáhania by sa mali tiež zohľadniť doby, v ktorých je náradie vypnuté alebo je sice v chode, ale v skutočnosti

sa nepoužíva. Toto môže kmitavé namáhanie v priebehu celej pracovnej doby zreteľne redukovať.

Stanovte dodatočné bezpečnostné opatrenia pre ochranu obsluhy pred účinkami vibrácií, ako napríklad: údržba elektrického náradia a

vložených nástrojov, udržiavanie teploty rúk, organizácia pracovných postupov.

UPOZORNENIE! Prečítajte si všetky bezpečnostné pokyny a návody.

Zanedbanie dodržiavania Výstražných upozornení a pokynov uvedených v nasledujúcom texte môže mať za následok zásah elektrickým prúdom, spôsobiť požiar a/alebo ťažké poranenie.

Tieto Výstražné upozornenia a bezpečnostné pokyny starostlivo uschovajte na budúce použitie.

Bezpečnostné pokyny pre vŕtacie kladivo

Pri vŕtaní s príklepom používajte prostriedky k ochrane sluchu. Nadmerný hluk môže viesť k strate sluchu.

Používajte prídavné rukoväte dodané spolu s prístrojom. Strata kontroly nad strojom môže viesť k zraneniu.

Pri realizovaní prác, pri ktorých nástroj môže naraziť na skryté elektrické vedenia alebo na vlastný kábel, držte prístroj za izolované pridrôzovacie plochy. Kontakt rezného nástroja s

vedením pod napätím môže viesť k prenosu napätia na kovové časti prístroja a k úrazu elektrickým prúdom.

Ďalšie bezpečnostné a pracovné pokyny

Použite ochranné vybavenie. Pri práci s elektrickým náradím používajte vždy ochranné okuliare. Doporučujeme taktiež používať súčasť ochranného odevu a ochranné obuvi, ako sú protiprašná maska, ochranné rukavice, pevná a nekľzajúca obuv, ochranná prilba a ochrana sluchu.

Prach vznikajúci pri práci môže byť škodlivý zdraviu. Pri práci nosiť vhodnú ochrannú masku, aby sa nedostal do ľudského organizmu.

Nesmú sa opracovávať materiály, ktoré môžu spôsobiť ohrozenie zdravia (napr. azbest)

Pri zablokovaní nasadeného nástroja prístroj okamžite vypnite! Prístroj nezapínajte, pokiaľ je nasadený nástroj zablokovaný; mohol by pri tom vzniknúť spätný náraz s vysokým reakčným

momentom. Príčinu zablokovania nasadeného nástroja zistite a odstráňte so zohľadnením bezpečnostných pokynov.

Možnými príčinami môžu byť:

- spriečenie v opracovávanom obrobru
- prelomenie opracovávaného materiálu
- preťaženie elektrického prístroja

Nezasahujte do bežiacieho stroja.

Nasadený nástroj sa počas používania môže rozhorúčiť.

POZOR! Nebezpečenstvo popálenia

- pri výmene nástroja
- pri odkladaní prístroja

Triesky alebo úlomky sa nesmú odstraňovať za chodu stroja.

Pripojovací kábel držte mimo pracovnej oblasti stroja. Kábel smerujte vždy smerom dozadu od stroja.

Pri práci v stene, strope alebo v podlahe dávajte pozor na elektrické káble, plynové a vodovodné potrubia.

Obrobok zabezpečte upínacím zariadením. Nebezpečné obrobky môžu spôsobiť ťažké poranenia a poškodenia.

Pred každou prácou na stroji vyťahnite zástrčku zo zásuvky.

Pri veľkých priemeroch vŕtania musí byť prídavná rukoväť upevnená kolmo na hlavnú rukoväť. Vid' obrazovú časť, odsek "pootočiť rukoväť".

POUŽITIE PODĽA PREDPISOV

K545 S: Vŕtacie kladivo je univerzálne použiteľné na sekanie a osekávanie kameňa a betónu.

K500 S: Kladivo je určené na osekávanie kameňa a betónu

Tento prístroj sa smie používať len v súlade s uvedenými predpismi.

CE - VYHLÁSENIE KONFORMITY

Výhradne na vlastnú zodpovednosť vyhlasujeme, že výrobok popísaný v "Technických údajoch" sa zhoduje so všetkými relevantnými predpismi smernice 2011/65/EU (RoHS), 2004/108/EC, 2006/42/EC a nasledujúcimi harmonizujúcimi normatívnymi dokumentmi:

EN 60745-1:2009 + A11:2010

EN 60745-2-6:2010

EN 55014-1:2006 + A1:2009 + A2:2011

EN 55014-2:1997 + A1:2001 + A2:2008

EN 61000-3-2:2006 + A1:2009 + A2:2009

EN 61000-3-3:2008

EN 50581:2012

Winnenden, 2014-07-08

Alexander Krug

Managing Director

Splnomocnený zostaviť technické podklady.

Techtronic Industries GmbH

Max-Eyth-Straße 10

71364 Winnenden

Germany

CE

CE

CE

CE

CE

CE

CE

CE

CE

CE

CE

CE

CE

CE

CE

CE

CE

CE

CE

CE

CE

CE

CE

CE

CE

CE

CE

CE

CE

CE

CE

CE

CE

CE

CE

CE

CE

CE

CE

CE

CE

na verejnú rozvodnú sieť spojte so svojim elektrozásobovacím podnikom.

ÚDRŽBA

Vetracie otvory udržiavajte stále v čistote.

Pri opotrebovaných uhlíkových kefách by sa mala vykonať okrem výmeny uhlíkových kief v zákazníckom centre aj prehliadka prístroja. Toto predlžuje životnosť prístroja a zaručuje stálu funkčnosť.

Aj dôjde k poškodeniu prívodného kábla, nechajte ho vymeniť v autorizovanom servise, pretože k výmene je potrebný špeciálny nástroj.

Používať len Milwaukee príslušenstvo a náhradné diely. Súčiastky bez návodu na výmenu treba dať vymeniť v jednom z Milwaukee zákaznických centier (viď brožúru Záruka/Adresy zákaznických centier).

Pri udaní typu stroja a čísla nachádzajúceho sa na štítku dá sa v prípade potreby vyžiadať explozívna schéma prístroja od vášho zákaznického centra alebo priamo v Techtronic Industries GmbH, Max-Eyth-Straße 10, 71364 Winnenden, Germany.

SYMBOLY

POZOR! NEBEZPEČENSTVO!

Pred každou prácou na stroji vyťahnite zástrčku zo zásuvky.

Pred prvým použitím prístroja si pozorne prečítajte návod na obsluhu.

Príslušenstvo - nie je súčasťou štandardnej výbavy, odporúčané doplnenie z programu príslušenstva.

Elektrické prístroje sa nesmú likvidovať spolu s odpadom z domácností. Elektrické a elektronické prístroje treba zbierať oddelene a odovzdať ich v recyklačnom podniku na ekologickú likvidáciu. Na miestnych úradoch alebo u vášho špecializovaného predajcu sa spýtajte na recyklačné podniky a zberné dvory.

Elektrický prístroj triedy ochrany II. Elektrický prístroj, pri ktorom ochrana pred zásahom el. prúdom závisí nie len od základnej izolácie, ale aj od toho, že budú použité aj doplnkové ochranné opatrenia, akými sú dvojité izolácia alebo zosilnená izolácia. Neexistuje žiadne zariadenie na pripojenie ochranného vodiča.

Značka CE

Regulatory Compliance Mark (RCM). Produkt spĺňa platné predpisy.

Euroázijská značka zhody

DANE TECHNICZNE	K500 S	K545 S
Numer produkcyjny.....	4421 66 01.....	4422 01 01.....
.....	4421 58 01.....	4421 96 01.....
.....	4326 06 01.....	4324 51 01.....
.....	4077 95 01.....	4260 25 01.....
.....	4078 00 01.....	4260 15 01.....
.....	..000001-999999	..000001-999999
Znamionowa moc wyjściowa.....	1300 W.....	1300 W
Moc wyjściowa.....	650 W.....	650 W
Prędkość bez obciążenia.....	300 min ⁻¹	300 min ⁻¹
Maksymalna prędkość obrotowa pod obciążeniem.....	300 min ⁻¹	300 min ⁻¹
Częstotliwość udaru przy obciążeniu maks.....	2840 min ⁻¹	2840 min ⁻¹
Energia udaru zgodna z EPTA Procedure 05/2009.....	8,5 J	8,5 J
Zdolność wiercenia w betonie.....	45 mm	45 mm
Wiertło rurowe do betonu, cegieł i kamienia wapiennego.....	65 mm	65 mm
Koronka rdzeniowa do betonu, cegieł i kamienia wapiennego.....	100 mm	100 mm
Średnica szyki uchwyty.....	66 mm	66 mm
Ciężar wg procedury EPTA 01/2003.....	6,3 kg	6,7 kg

Informacja dotycząca szumów K545 S

Zmierzone wartości wyznaczone zgodnie z normą EN 60 745.

Poziom szumów urządzenia oszacowany jako A wynosi typowo:

Poziom ciśnienia akustycznego (Niepewność K=3dB(A)).....	98,5 dB (A)
Poziom mocy akustycznej (Niepewność K=3dB(A)).....	109,5 dB (A)

Należy używać ochraniaczy uszu!

Informacja dotycząca szumów K500 S

Typowy poziom ciśnienia akustycznego mierzony wg krzywej A:.....

Zmierzone wartości wyznaczono zgodnie z 2005/88/WE przy uchu użytkownika.....	91 dB (A)
---	-----------

2005/88/WE: Procedura oceny zgodności według Załącznika VI.

Organ powiadamiany:

VDE Testing and Certification Institute, Merianstr. 28,

63069 Offenbach, Niemcy

Zmierzony poziom mocy akustycznej..... 101 dB (A)

Gwarantowany poziom mocy akustycznej..... 104 dB (A)

Należy używać ochraniaczy uszu!

Informacje dotyczące wibracji

Wartości łączne drgań (suma wektorowa trzech kierunków)

wyznaczone zgodnie z normą EN 60745

Wiercenie w betonie:

Wartość emisji drgań a_h..... 11,5 m/s²

Niepewność K=..... 1,5 m/s²

Dłutowanie

Wartość emisji drgań a_h..... 11,5 m/s²..... 9 m/s²

Niepewność K=..... 1,9 m/s²..... 1,9 m/s²

OSTRZEŻENIE

Podany w niniejszych instrukcjach poziom drgań został zmierzony za pomocą metody pomiarowej zgodnej z normą EN 60745 i może być użyty do porównania ze sobą elektronarzędzi. Nadaje się on również do tymczasowej oceny obciążenia wibracyjnego.

Podany poziom drgań reprezentuje główne zastosowania elektronarzędzia. Jeśli jednakże elektronarzędzie użyte zostanie do innych celów z innym narzędziami roboczymi lub nie jest dostatecznie konserwowane, wtedy poziom drgań może wykazywać odchylenia. Może to wyraźnie zwiększyć obciążenie wibracjami przez cały okres pracy.

Dla dokładnego określenia obciążenia wibracjami należy uwzględnić również czasy, w których urządzenie jest wyłączone względnie jest włączone, lecz w rzeczywistości nie pracuje. Może to spowodować wyraźną redukcję obciążenia wibracyjnego w całym okresie pracy.

Należy wprowadzić dodatkowe środki zapobiegawcze celem ochrony obsługującego przed oddziaływaniem drgań, jak na przykład: konserwacja narzędzi roboczych i elektronarzędzi, nagrzanie rąk, organizacja przebiegu pracy.

OSTRZEŻENIE! Należy przeczytać wszystkie wskazówki dotyczące bezpieczeństwa i instrukcje. Błędy w przestrzeganiu poniższych wskazówek mogą spowodować porażenie prądem, pożar i/lub ciężkie obrażenia ciała. Należy starannie przechowywać wszystkie przepisy i wskazówki bezpieczeństwa dla dalszego zastosowania.

Wskazówki bezpieczeństwa dla młotkowiartarka

Do wiercenia udarowego należy zakładać ochronniki słuchu. Hałas może powodować utratę słuchu.

Stosować uchwyty pomocnicze dostarczone z narzędziem. Utrata kontroli może spowodować obrażenia.

Trzymaj urządzenie za izolowane powierzchnie chwytne gdy wykonujesz roboty, w trakcie których narzędzie skrawające może natrafić na ukryte przewody prądowe lub na własny kabel. Styczność narzędzia skrawającego z będącym pod napięciem przewodem może

spowodować podłączenie części metalowych urządzenia do napięcia i prowadzić do porażenia prądem elektrycznym.

Dodatkowe wskazówki bezpieczeństwa i instrukcje robocze

Stosować wyposażenie ochronne. Przy pracy maszyną zawsze nosić okulary ochronne. Zalecana jest odzież ochronna, jak maska pyłochronna, rękawice ochronne, mocne i chroniące przed poślizgiem obuwie, kask i ochronniki słuchu.

Kurz powstający przy pracy z tym elektronarzędziem może być szkodliwy dla zdrowia, w związku z tym nie powinien dotrzeć do ciała. Nosić odpowiednią maskę przeciwpyłową.

Nie wolno obrabiać materiałów, które mogą być przyczyną zagrożenia zdrowia (na przykład azbestu).

W przypadku zablokowania narzędzia nasazanego należy natychmiast wyłączyć urządzenie! Nie należy ponownie włączać urządzenia tak długo, jak długo narzędzie nasadzone jest zablokowane; przy tym mogły

powstać odrzut zwrotny o dużym momencie reakcyjnym. Należy wykręcić i usunąć przyczynę zablokowania narzędzia nasazanego uwzględniając wskazówki dotyczące bezpieczeństwa.

Możliwymi przyczynami tego mogą być:

- Skośne ustawienie się w poddawany obróbce przedmiocie obrabianym
- Przerwanie materiału poddawane obróbce
- Przeciążenie narzędzia elektrycznego

Nie należy sięgać do wnętrza maszyny będącej w ruchu.

Narzędzie nasadzone może w trakcie użytkowania stać się gorące.

OSTRZEŻENIE! Niebezpieczeństwo oparzenia się

- przy wymianie narzędzia
- przy odstawianiu urządzenia

Podczas pracy elektronarzędzia nie wolno usuwać trocin ani drzazg.

Kabel zasilający nie może znajdować się w obszarze roboczym elektronarzędzia. Powinien on się zawsze znajdować się za operatorem.

Podczas pracy przy ścianach, sufitach i podłozie należy uważać na kable elektryczne, przewody gazowe i wodociągowe.

Należy zabezpieczyć przedmiot poddawany obróbce za pomocą urządzenia mocującego. Niezabezpieczone przedmioty poddawane obróbce mogą spowodować ciężkie obrażenia ciała i uszkodzenia.

Przed przystąpieniem do jakichkolwiek prac związanych z elektronarzędziem należy wyjąć wtyczkę z gniazdka.

Przy pracy z wiertłami o dużych średnicach uchwyt pomocniczy należy zamocować pod kątem prostym w stosunku do uchwyty głównego (patrz ilustrację, rozdział "Obrót uchwyty").

WARUNKI UŻYTKOWANIA

K545 S: Młot pneumatyczny do uniwersalnych zastosowań przy wierceniu udarowym i dłutowaniu i betonu.

K500 S: Młot do dłutowania i prac wyburzeniowych

Produkt można użytkować wyłącznie zgodnie z jego normalnym przeznaczeniem.

DEKLARACJA ZGODNOŚCI CE

Oświadczamy na naszą wyłączną odpowiedzialność, że produkt opisany w punkcie "Dane techniczne" jest zgodny ze wszystkimi istotnymi przepisami Dyrektywy 2011/65/EU (RoHS), 2004/108/WE, 2006/42/WE oraz z następującymi zharmonizowanymi dokumentami normatywnymi:

EN 60745-1:2009 + A11:2010

EN 60745-2-6:2010

EN 55014-1:2006 + A1:2009 + A2:2011

EN 55014-2:1997 + A1:2001 + A2:2008

EN 61000-3-2:2006 + A1:2009 + A2:2009

EN 61000-3-3:2008

EN 50581:2012

Winnenden, 2014-07-08

Alexander Krug
Managing Director



Upełnomocniony do zestawienia danych technicznych

Techtronic Industries GmbH

Max-Eyth-Straße 10

71364 Winnenden

Germany

PODŁĄCZENIE DO SIECI

Urządzenia pracujące w wielu różnych miejscach, w tym poza pomieszczeniami zamkniętymi, należy podłączać poprzez ochronny (FI, RCD, PRCD) wyłącznik udarowy.

Podłączać tylko do źródła zasilania prądem zmiennym jednofazowym i wyłącznie o napięciu podanym na tabliczce znamionowej. Możliwe jest również podłączenie do gniazdka bez uziemienia, ponieważ konstrukcja odpowiada II klasie bezpieczeństwa.

Przed włożeniem wtyczki do gniazdka upewnić się, czy urządzenie jest wyłączone.

Jest to urządzenie do użytku profesjonalnego, które w przypadku podłączenia do publicznej sieci niskiego napięcia może przekroczyć wskaźniki wyższych harmonicznych prądowych. Dlatego też przed podłączeniem do publicznej sieci niskiego napięcia należy skontaktować się, w razie potrzeby, z właściwym przedsiębiorstwem energetycznym.

UTRZYMANIE I KONSERWACJA

Otwory wentylacyjne elektronarzędzia muszą być zawsze drożne.

Ważne! W przypadku zużycia szczotek węglowych po ich wymianie elektronarzędzie należy przekazać do serwisu obsługi posprzedażnej. Zapewni to długi okres użytkowania i maksymalne osiągi elektronarzędzia.

Jeżeli kabel zasilania sieciowego jest uszkodzony, musi on być wymieniony przez serwis naprawczy, ponieważ niezbędne jest specjalne narzędzie.

Należy stosować wyłącznie wyposażenie dodatkowe i części zamienne Milwaukee. W przypadku konieczności wymiany części, dla których nie podano opisu, należy skontaktować się z przedstawicielami serwisu Milwaukee (patrz lista punktów obsługi gwarancyjnej/serwisowej).

Na życzenie można otrzymać rysunek widoku zespołu rozebranego. Przy zamawianiu należy podać numer oraz typ elektronarzędzia umieszczony na tabliczce znamionowej. Zamówienia można dokonać albo u lokalnych przedstawicieli serwisu, albo bezpośrednio w Techtronic Industries GmbH, Max-Eyth-Straße 10, 71364 Winnenden, Germany.

SYMBOLY



UWAGA! OSTRZEŻENIE
NIEBEZPIECZEŃSTWO!



Przed przystąpieniem do jakichkolwiek prac związanych z elektronarzędziem należy wyjąć wtyczkę z gniazdka.



Przed uruchomieniem elektronarzędzia zapoznać się uważnie z treścią instrukcji.



Wyposażenie dodatkowe dostępne osobno.



Urządzenia elektryczne nie mogą być usuwane razem z odpadami pochodzącymi z gospodarstw domowych. Urządzenia elektryczne i elektroniczne należy gromadzić oddzielnie i w celu usuwania ich do odpadów zgodnie z wymaganiami środowiska naturalnego oddawać do przedsiębiorstwa utylizacyjnego. Proszę zasięgnąć informacji o centrach recyklingowych i punktach zbiorczych u władz lokalnych lub u wyspecjalizowanego dostawcy.



Elektronarzędzie klasy ochrony II. Elektronarzędzie, w którym zabezpieczenie przed porażeniem prądowym zależy nie tylko od izolacji podstawowej, lecz również od tego, czy zostały zastosowane dodatkowe środki ochrony, takie jak: izolacja podwójna lub izolacja wzmocniona. Nie ma żadnego urządzenia do podłączenia przewodu ochronnego.



Znak CE



Regulatory Compliance Mark (RCM). Produkt spełnia obowiązujące przepisy.



Znak zgodności EurAsian

MŰSZAKI ADATOK	K500 S	K545 S
Gyártási szám.....	4421 66 01....	4422 01 01....
.....	4421 58 01....	4421 96 01....
.....	4326 06 01....	4324 51 01....
.....	4077 95 01....	4260 25 01....
.....	4078 00 01....	4260 15 01....
.....	..000001-999999	..000001-999999
Névleges teljesítményfelvétel.....	1300 W	1300 W
Leadott teljesítmény.....	650 W	650 W
Üresjárat fordulatszám.....	300 min ⁻¹	300 min ⁻¹
Fordulatszám terhelés alatt max.	300 min ⁻¹	300 min ⁻¹
Utészám terhelés alatt max.	2840 min ⁻¹	2840 min ⁻¹
Egyedi ütéserő az „EPTAProcedure 05/2009” (2009/05 EPTA-eljárás) szerint	8,5 J	8,5 J
Furat-Ø betonba.....	45 mm	45 mm
Áttörő fúró betonhoz, téglához és mészkőhöz	65 mm	65 mm
Fúrókorona betonhoz, téglához és mészkőhöz.....	100 mm	100 mm
Feszítőnyak-Ø.....	66 mm	66 mm
Súly a 01/2003 EPTA-eljárás szerint.....	6,3 kg	6,7 kg

Zajinformáció K545 S

A közölt értékek megfelelnek az EN 60 745 szabványnak.

A készülék munkahelyi zajszintje tipikusan:

Hangnyomás szint (K bizonytalanság=3dB(A))..... 98,5 dB (A)

Hangteljesítmény szint (K bizonytalanság=3dB(A))..... 109,5 dB (A)

Hallásvédő eszköz használata ajánlott!

Zajinformáció K500 S

Szabvány szerinti A-értékelésű hangszint:..... 91 dB (A)

Paraméterek meghatározása a 2005/88/EK szerint a felhasználó fülénél.

2005/88/EK: Megfelelés meghatározása a VI. Melléklet szerint.

Megjelölt intézet:

VDE Testing and Certification Institute, Merianstr. 28,

63069 Offenbach, Németország

Mért hangteljesítményszint..... 101 dB (A)

Szavartolt hangteljesítményszint..... 104 dB (A)

Hallásvédő eszköz használata ajánlott!

Vibráció-információk

Összesített rezgésértékek (három irány vektorális összeg az EN

60745-nek megfelelően meghatározva.

Útvefűráshoz betonba:

ah rezgésemisszió érték.....11,5 m/s²

K bizonytalanság..... 1,5 m/s²

Vésés

ah rezgésemisszió érték.....11,5 m/s²..... 9 m/s²

K bizonytalanság..... 1,9 m/s²..... 1,9 m/s²

FIGYELMEZTETÉS

A jelen utasításokban megadott rezgésszint értéke az EN 60745-ben szabályozott mérési eljárásnak megfelelően került lemérésre, és használható elektromos számszámokkal történő összehasonlításhoz. Az érték alkalmas a rezgésterhelés előzetes megbecsülésére is.

A megadott rezgésszint-érték az elektromos számszám legfőbb alkalmazásait reprezentálja. Ha az elektromos számszámot azonban más alkalmazásokhoz, eltérő használt számszámokkal vagy nem elegendő karbantartással használják, a rezgésszint értéke eltérő lehet. Ez jelentősen megnövelheti a rezgésterhelést a munkavégzés teljes időtartama alatt.

A rezgésterhelés pontos megbecsüléséhez azokat az időket is figyelembe kell venni, melyekben a készülék lekapcsolódik, vagy ugyan működik, azonban ténylegesen nincs használatban. Ez jelentősen csökkentheti a rezgésterhelést a munkavégzés teljes időtartama alatt.

Határozzon meg további biztonsági intézkedéseket a kezelő védelmére a rezgések hatása ellen, például: az elektromos és a használt számszámok karbantartásával, a kezek melegen tartásával, a munkafolyamatok megszervezésével.

▲ FIGYELMEZTETÉS! Olvasson el minden biztonsági útmutatót és utasítást. A következőkben leírt előírások betartásának elmulasztása áramütésekhez, tűzhöz és/vagy súlyos testi sérülésekhez vezethet. **Kérjük a későbbi használatra gondosan őrizze meg ezeket az előírásokat.**

▲ Biztonsági útmutatások fúrókalapács

Útvefűráskor viseljen hallásvédőt. A zaj hatása hallásvéstést okozhat.

Használja a készülékkel együtt szállított kézfogánytűkát. A készülék fölötti ellenőrzés elvezetése sérüléseket okozhat.

A készüléket a szigetelt markolatfelületeket fogva tartsa, ha olyan munkálatokat végez, melyeknél a vágószerszám rejtett elektromos vezetékbe vagy saját vezetékbe ütközhet. A vágószerszám feszültségvezető vezetékkel való érintkezésekor a

készülék fém részei is feszültség alá kerülhetnek, és elektromos áramütés következhet be.

További biztonsági és munkavégzési utasítások

Használjon védőfelszerelést! Ha a gépen dolgozik, mindig hordjon védőszemüveget! Javasoljuk a védőruházat, úgymint porvédő maszk, védőcipő, erős és csúszásbiztos lábbeli, sisak és hallásvédő használatát.

A munka során keletkező por gyakran egészségre káros, ezért ne kerüljön a szervezetbe

Hordjon e célra alkalmas porvédőmaszkot.

Nem szabad olyan anyagokat megmunkálni, amelyek egészségre veszélyesek (pl. azbesztet).

A betétszerszám elakadásakor azonnal ki kell kapcsolni a készüléket! Addig ne kapcsolja vissza a készüléket, amíg a betétszerszám elakadása fennáll; ennek során nagy ellennyomatékú visszarúgás

történhet. Határozza és szüntesse meg a betétszerszám elakadásának okát a biztonsági útmutatások betartása mellett.

Ennek következők lehetnek az okai:

- a számszám elakad a megmunkálandó munkadarabban
- a megmunkálandó anyag átszakadt
- az elektromos számszám túlterhelése

Ne nyúljon a járó géphez.

A betétszerszám az alkalmazás során felforrósodhat.

FIGYELMEZTETÉS! Égési sérülések veszélye

- számszámcserekor
- a készülék lerakásakor

A munka közben keletkezett forgácsokat, szilánkokat, törmeléket, stb. csak a készülék teljes leállása után szabad a munkaterületről eltávolítani.

Munka közben a hálózati csatlakozókábelt a sérülés elkerülése érdekében a munkaterületől, illetve a készüléktől távol kell tartani.

Falban, földemben, aljzatban történő fúrásnál fokozottan ügyelni kell az elektromos-, víz- és gázvezetésekre.

Biztosítsa a munkadarabot befogó szerkezettel. A nem biztosított munkadarabok súlyos sérüléseket és károkat okozhatnak.

Bármilyen jellegű karbantartás vagy javítás előtt a készüléket áramtalanítani kell.

Ha nagy átmérőjű fúróval dolgozik a segédgöngyöt a megfelelő szögbe kell állítani a főgöngyűhöz viszonyítva. (Lásd az illusztrációk fejezetben: "a fogantyú beállítás").

RENDELTESSZERŰ HASZNÁLAT

K545 S: A fúrókalapács általánosan használható útvefűráshoz, kőzetekbe történő véséshez és betonban.

K500 S: A bontókalapács használható kőzetekbe történő véséshez és betonban.

A készüléket kizárólag az alábbiakban leírtaknak megfelelően szabad használni.

CE-AZONOSSÁGI NYILATKOZAT

Egyedüli felelősséggel kijelentjük, hogy a "Műszaki Adatok" alatt leírt termék a 2011/65/EU (RoHS), 2004/108/EK, 2006/42/EK irányelvek minden releváns előírásának, ill. az alábbi harmonizált normatív dokumentumoknak megfelel:

EN 60745-1:2009 + A11:2010

EN 60745-2-6:2010

EN 55014-1:2006 + A1:2009 + A2:2011

EN 55014-2:1997 + A1:2001 + A2:2008

EN 61000-3-2:2006 + A1:2009 + A2:2009

EN 61000-3-3:2008

EN 50581:2012

Winnenden, 2014-07-08

Alexander Krug

Alexander Krug
Managing Director



Műszaki dokumentáció összeállításra felhatalmazva

Techtronic Industries GmbH

Max-Eyth-Straße 10

71364 Winnenden

Germany

HÁLÓZATI CSATLAKOZTATÁS

Szabadban a dugóját hibaáram-védőkapcsolóval kell ellátni. Az elektromos készülékek üzembhelyezési útmutatása ezt kötelezően előírja (FI, RCD, PRCD). Ügyeljen erre az elektromos kéziszerszámok használatakor is.

A készüléket csak egyfázisú váltóáramra és a teljesítménytáblán megadott hálózati feszültségre csatlakoztassa. A csatlakoztatás védőérintkező nélküli dugaszolóaljzatokra is lehetséges, mivel a készülék felépítése II. védettségű osztályú.

Mielőtt áram alá helyezi a gépet, győződjön meg róla, hogy a gép ki van kapcsolva.

Ez egy professzionális használatra szánt készülék, amely az áram felharmonikusokra vonatkozó irányértékeket a kisfeszültségű nyilvános hálózathoz való csatlakozásnál kismértékben túllépheti. A készülék kisfeszültségű nyilvános hálózathoz való csatlakoztatása előtt ezért adott esetben vegye fel a kapcsolatot illetékes energiaszolgáltató vállalattal.

KARBANTARTÁS

A készülék szellőzőnyílásait mindig tisztán kell tartani.

Az elhasznált szénkeféket az illetékes márkaszervizzel haladéktalanul kell kicseréltetni, így jelentősen megnövelhető a készülék élettartama és garantált a folyamatos üzemműködés állapota.

Ha a hálózati csatlakozóvezeték megsérült, akkor azt ügyfélszolgálati hely által kell kicseréltetni, mert ahhoz speciális számszám szükséges.

Javításhoz, karbantartáshoz kizárólag Milwaukee alkatrészeket és tartozékokat szabad használni. A készülék azon részeinek cseréjét, amit a kezelési útmutató nem engedélyez, kizárólag a javításra feljogosított márkaszerviz végezheti. (Lásd a szervizlistát)

Szükség esetén a készülékek robbantott ábráját - a készülék típusa és azonosító száma alapján a területileg illetékes Milwaukee márkaszerviztől vagy közvetlenül a gyártótól (Techtronic Industries GmbH, Max-Eyth-Straße 10, 71364 Winnenden, Germany) lehet kérni.

SZIMBOLUMOK



FIGYELEM! FIGYELMEZTETÉS! VESZÉLY!



Bármilyen jellegű karbantartás vagy javítás előtt a készüléket áramtalanítani kell.



Kérjük alaposan olvassa el a tájékoztatót mielőtt a gépet használja.



Azokat a tartozékokat, amelyek gyárilag nincsenek a készülékhez mellékelve, külön lehet megrendelni.



Az elektromos eszközöket nem szabad a háztartási hulladékkal együtt ártalmatlanítani. Az elektromos és elektronikus eszközöket szelektíven kell gyűjteni, és azokat környezetbarát ártalmatlanítás céljából hulladékhasznosító üzemben kell leadni. A helyi hatóságoknál vagy szakkereskedőjénél tájékozódjon a hulladékudvarokról és gyűjtőhelyekről.



II. védelmi osztályú elektromos számszám. Olyan elektromos számszám, amelynél az elektromos áramütés elleni védelem nem csak az alapszigeteléstől függ, hanem amelyben kiegészítő védőintézkedéseket, mint pl. kettős szigetelés vagy megerősített szigetelés, alkalmaznak. Nincs lehetőség védőérintkező csatlakoztatására.



CE-jelölés



Regulatory Compliance Mark (RCM). A termék teljesíti az érvényben lévő előírásokat.



Eurázsiai megfelelőségi jelzés.

TEHNIČNI PODATKI	K500 S	K545 S
Proizvodna številka.....	4421 66 01...	4422 01 01...
.....	4421 58 01...	4421 96 01...
.....	4326 06 01...	4324 51 01...
.....	4077 95 01...	4260 25 01...
.....	4078 00 01...	4260 15 01...
.....	..000001-999999	..000001-999999
Nazivna sprejemna moč.....	1300 W	1300 W
Oddajna zmogljivost.....	650 W	650 W
Število vrtljajev v prostem teku.....	300 min ⁻¹	300 min ⁻¹
Število vrtljajev pri obremenitvi maks.....	300 min ⁻¹	300 min ⁻¹
bremensko število udarcev maks.....	2840 min ⁻¹	2840 min ⁻¹
Jakost posameznega udarca v skladu z EPTA-Procedure 05/2009.....	8,5 J	8,5 J
Vrtalni ø v betonu.....	45 mm	45 mm
Tunelni sveder v betonu, opeki in apnenem peščencu.....	65 mm	65 mm
Votla vrtalna krona v betonu, opeki in apnenem peščencu.....	100 mm	100 mm
Vpenjalni vrat ø.....	66 mm	66 mm
Teža po EPTA-proceduri 01/2003.....	6,3 kg	6,7 kg

Informacije o hrupnosti K545 S

Vrednosti merjenja ugotovljene ustrezno z EN 60 745.

Raven hrupnosti naprave ovrednotena z A, znaša tipično:

Nivo zvočnega tlaka (Nevarnost K=3dB(A)).....	98,5 dB (A)
Višina zvočnega tlaka (Nevarnost K=3dB(A)).....	109,5 dB (A)

Nosite zaščito za sluh!

Informacije o hrupnosti K500 S

A ocenjeni nivo zvočnega tlaka znaša tipično..... 91 dB (A)

Vrednost merjenja ugotovljena ustrezno z 2005/88/EC na ušesu uporabnika.

2005/88/EC: Postopek za oceno konformnosti po prilogi VI. –

navedeno mesto:

VDE Prüf- und Zertifizierungsinstitut, Merianstr. 28,

63069 Offenbach, Germany

Izmerjena višina zvočnega tlaka..... 101 dB (A)

Garantirana višina zvočnega tlaka..... 104 dB (A)

Nosite zaščito za sluh!

Informacije o vibracijah

Skupna vibracijska vrednost (Vektorska vsota treh smerdoločena

ustrezno EN 60745.

Udarno vrtnanje v betonu:

Vibracijska vrednost emisij a_n.....11,5 m/s²

Nevarnost K=.....1,5 m/s²

Klesanje

Vibracijska vrednost emisij a_h.....11,5 m/s²..... 9 m/s²

Nevarnost K=.....1,9 m/s²..... 1,9 m/s²

OPOZORILO

V teh navodilih navedena raven tresljajev je bila izmerjena po EN60745 normiranem merilnem postopku in lahko služi medsebojni primerjavi električnih orodij. Prav tako je primeren za predhodno oceno obremenitve s tresljaji.

Navedena raven tresljajev navaja najpomembnejše vrste rabe električnega orodja. Kadar se električno orodje uporablja za drugačne namene, z odstopajočimi orodji ali pa z nezadostnim vzdrževanjem, lahko raven tresljajev tudi odstopa. Le to lahko čez celoten delovni čas znatno zviša obremenitev s tresenjem.

Za natančno oceno obremenitve s tresljaji naj bi se upošteval tudi čas v katerem je naprava izklopljena ali sicer teče, vendar dejansko ni v rabi. Le to lahko obremenitev s tresljaji čez celoten delovni čas znatno zmanjša.

Za zaščito upravljalca pred učinkom tresljajev uvedite dodatne zaščitne ukrepe npr.: Vzdrževanje električnega orodja in orodja, delo s toplimi rokami, organizacija delovnih potekov.

⚠ OPOZORILO! Preberite vsa varnostna opozorila in navodila.

Napake zaradi neupoštevanja spodaj navedenih opozoril in napolit lahko povzročijo električni udar, požar in/ali težke telesne poškodbe.

Vsa opozorila in napotila shranite, ker jih boste v prihodnje še potrebovali.

⚠ Varnostna opozorila za rotacijska kladiva

Pri udarnemu vrtnanju nosite glušnik. Hrup lahko povzroči izgubo sluha.

Uporabite dodatne ročaje, ki so dobavljeni skupaj z napravo. Izguba kontrole lahko povzroči poškodbe.

Kadar izvajate dela pri katerih lahko orodje zadane prikrito električno napeljavo ali lasten vodnik, je napravo potrebno držati za izolirane prijemalne površine. Stik rezalnega orodja z

napetostnim vodnikom napeljave lahko privede kovinske dele naprave pod napetost in vodi do električnega udara.

Nadaljna varnostna in delovna opozorila

Uporabite zaščitno opremo. Pri delu s strojem vedno nosite zaščitna očala. Priporočajo se zaščitna oblačila, kot npr. maska za zaščito proti prahu, zaščitne rokavice, trdno in nedrseče obuvalo, čelada in zaščita za sluh.

Prah, ki nastaja pri delu, je pogosto zdravju škodljiv in naj ne zaide v telo. Nosite ustrezno masko proti prahu.

Obdelava materialov, iz katerih izhajajo ogroženost zdravja (npr. azbest), ni dovoljena.

V primeru blokade orodja napravo takoj izklopite! Naprave ponovno ne vklaplajte dokler je orodje blokirano; pri tem bi lahko prišlo do povratnega udara z velikim reakcijskim momentom.

Ugotovite in odpravite vzroke blokade orodja ob upoštevanju varnostnih navodil.

Možni razlogi so lahko:

- Zagozditev v obdelovancu
- prežganje obdelovanega materiala
- Preobremenitev električnega orodja

Ne segajte v stroj v teku.

Orodje lahko med uporabo postane vroče.

OPOZORILO! Nevarnost opeklin

- pri menjavi orodja
- pri odlaganju naprave

Trske ali iveri se pri tekočem stroju ne smejo odstranjevati.

Vedno pazite, da se priključni kabel ne približa področju delovanja stroja. Kabel vedno vodite za strojem.

Pri delih na steni, stropu ali v tleh pazite na električne kable, plinske in vodne napeljave.

Obdelovanec zavarujte z vpenjalno pripravo. Nezavarovani obdelovanci lahko povzročijo težke poškodbe in okvare.

Pred vsemi deli na stroju izvlcite vtičake iz vtičnice.

Pri velikih premerih vrtnice mora biti dodatni ročaj pritrjen pravokotno na glavni ročaj. Glej tudi slikovni del, odstavek "Obračanje ročaja".

UPORABA V SKLADU Z NAMEDBOSTJO

K545 S: Udarni vrtalnik je univerzalno uporaben za udarno vrtnanje in klesanje v kamnu in betonu.

K500 S: Klesarsko kladivo je primerno za klesanje v kamnu in betonu.

Ta naprava se sme uporabiti samo v skladu z namembnostjo uporabiti samo za navede namene.

CE-IZJAVA O KONFORMNOSTI

V lastni odgovornosti izjavljamo, da se pod "Tehnični podatki" opisan proizvod ujema z vsemi relevantnimi predpisi smernice 2011/65/EU (RoHS), 2004/108/ES, 2006/42/ES in s sledečimi harmoniziranimi normativnimi dokumenti:

EN 60745-1:2009 + A11:2010

EN 60745-2-6:2010

EN 55014-1:2006 + A1:2009 + A2:2011

EN 55014-2:1997 + A1:2001 + A2:2008

EN 61000-3-2:2006 + A1:2009 + A2:2009

EN 61000-3-3:2008

EN 50581:2012

Winnenden, 2014-07-08

Alexander Krug

Alexander Krug
Managing Director



Pooblaščen za izdelavo spisov tehnične dokumentacije.

Techtronic Industries GmbH

Max-Eyth-Straße 10

71364 Winnenden

Germany

OMREŽNI PRIKLJUČEK

Vtičnice v zunanem področju morajo biti opremljene z zaščitnimi stikali za okvami tok (FI, RCD, PRCD). To zahteva instalacijski predpis za vašo električno napravo. Prosimo, da to pri uporabi naše naprave upoštevate.

Priključite samo na enofazni izmenični tok in samo na omrežno napetost, ki je označena na tipski ploščici. Priključitev je možna tudi na vtičnice brez zaščitnega kontakta, ker obstaja nadgradnja zaščitnega razreda.

Napravo priključite na vtičnico samo v izklopljenem stanju.

Naprava je pripravljena za profesionalno uporabo. Naprava lahko po priključitvi na javno nizko napetostno omrežje neznatno

prekorači orientacijsko vrednost zgornje vrednosti električnega toka. Zaradi tega se pred priključitvijo naprave posvetujte z odgovorno osebo vašega distributerja električne energije.

VZDRŽEVANJE

Pazite na to, da so prezačevalne reže stroja vedno čiste.

Pri obrabljenih oglenih krtačkah naj se dodatno z zamenjavo oglenih krtačk izvede servisno vzdrževanje v delavnici servisne službe. To podaljša življenjsko dobo stroja in zagotavlja stalno pripravljenost za obratovanje.

V kolikor je priključni omrežni vodnik poškodovan, ga je potrebno s strani servisne službe nadomestiti, ker je za ta namen posebno posebno orodje.

Uporabljajte samo Milwaukee pribor in nadomestne dele.

Poskrbite, da sestavne dele, katerih zamenjava ni opisana, zamenjajo v Milwaukee servisni službi (upoštevajte brošuro Garancija/Naslovi servisnih služb).

Po potrebi se lahko pri vaši servisni službi ali direktno pri Techtronic Industries GmbH naroči eksplozijska risba naprave ob navedbi tipa stroja in številke s tipске ploščice Techtronic Industries GmbH, Max-Eyth-Straße 10, 71364 Winnenden, Germany.

SIMBOLI



POZOR! OPOZORILO! NEVARNO!



Pred vsemi deli na stroju izvlcite vtičake iz vtičnice.



Prosimo, da pred uporabo pazorno preberete to navodilo za uporabo.



Oprema – ni vsebovana v obsegu dobave, priporočeno dopolnilo iz programa opreme.



Električnih naprav ni dovoljeno odstranjevati skupaj z gospodinjstskimi odpadki. Električne in elektronske naprave je potrebno zbirati ločeno in za okolju prijazno odstranitev, oddati podjetju za reciklažo. Pri krajevnem uradu ali vašem strokovnem prodajalcu se pozanimajte glede reciklažnih dvorišč in zbirnih mest.



Električno orodje zaščitnega razreda II. Električno orodje, pri katerem zaščita pred električnim udarom ni odvisna zgolj od osnovne izolacije, temveč tudi od tega, da so uporabljene dodatni ukrepi, kot dvojna ali okrepljena izolacija. Ni priprave za priključek zaščitnega vodnika.



CE-znak



Regulatory Compliance Mark (RCM). Proizvod izpolnjuje veljavne predpise.



EurAsian oznaka o skladnosti.

TEHNIČKI PODACI	K500 S	K545 S
Broj proizvodnje.....	4421 66 01....	4422 01 01....
.....	4421 58 01....	4421 96 01....
.....	4326 06 01....	4324 51 01....
.....	4077 95 01....	4260 25 01....
.....	4078 00 01....	4260 15 01....
.....	..000001-999999	..000001-999999
Snaga nominalnog prijema.....	1300 W.....	1300 W
Predajni učinak.....	650 W.....	650 W
Broj okretaja praznog hoda.....	300 min ⁻¹	300 min ⁻¹
Broj okretaja pod opterećenjem.....	300 min ⁻¹	300 min ⁻¹
Maksimalan broj udara pod opterećenjem.....	2840 min ⁻¹	2840 min ⁻¹
Jačina pojedinačnih udara prema EPTA-Procedure 05/2009.....	8,5 J	8,5 J
Bušenje-Ø u beton.....	45 mm	45 mm
Bušać tunela u beton, opeku i silikatnu opeku.....	65 mm	65 mm
Šuplja krunica za bušenje u beton, opeku i silikatnu opeku.....	100 mm	100 mm
Stezno grlo-Ø.....	66 mm	66 mm
Težina po EPTA-proceduri 01/2003.....	6,3 kg	6,7 kg

Informacije o buci K545 S

Mjerne vrijednosti utvrđene odgovarajuće EN 60 745.

A-ocijenjeni nivo buke aparata iznosi tipično:

Nivo pritiska zvuka (Nesigurnost K=3dB(A)).....	98,5 dB (A)
Nivo učinka zvuka (Nesigurnost K=3dB(A)).....	109,5 dB (A)

Nositi zaštitu sluha!

Informacije o buci K500 S

A-procjenjeni nivo pritiska zvuka aparata iznosi tipično..... 91 dB (A)

Mjerna vrijednost pronajdjena odgovarajuće 2005/88/EC na uhu korisnika.

2005/88/EC: Postupak procjene konformnosti po dodatku VL nazvano mjesto: VDE institut za provjeru i certifikaciju, Merianstr. 28,

63069 Offenbach, Njemačka

Izmjereni nivo učinka zvuka..... 101 dB (A)

Garantirani nivo učinka zvuka..... 104 dB (A)

Nositi zaštitu sluha!

Informacije o vibracijama

Ukupne vrijednosti vibracije (Vektor suma tri smjersu odmjerene odgovarajuće EN 60745

Čekično bušenje u beton:

Vrijednost emisije vibracije a_n.....11,5 m/s²

Nesigurnost K=.....1,5 m/s²

Klesanje

Vrijednost emisije vibracije a_n.....11,5 m/s²..... 9 m/s²

Nesigurnost K=.....1,9 m/s²..... 1,9 m/s²

UPOZORENIE

Ova u ovim uputama navedena razina titranja je bila izmjerena odgovarajuće jednom u EN 60745 normiranom mjernom postupku i može se upotrijebiti za usporedbu električnog alata međusobno. Ona je prikladna i za privremenu procjenu titrajnog opterećenja.

Navedena razina titranja reprezentira glavne primjene električnog alata. Ukoliko se električni alat upotrebljava u druge svrhe sa odstupajućim primijenjenim alatima ili nedovoljnim održavanjem, onda razina titranja može odstupati. To može titrajno opterećenje kroz cijeli period rada bitno povisiti.

Za točnu procjenu titrajnog opterećenja se moraju uzeti u obzir i vremena u kojima je uređaj isključeni ili u kojima doduše radi, ali nije i stvarno u upotrebi. To može titrajno opterećenje bitno smanjiti za vrijeme cijelog radnog perioda.

Utvrđite dodatne sigurnosne mjere za zaštitu poslužioca protiv djelovanja titranja kao npr.: Održavanje električnih alata i upotrebljenih alata, održavanje topline ruku, organizacija i radne postupke.

Utvrdite dodatne sigurnosne mjere za zaštitu poslužioca protiv djelovanja titranja kao npr.: Održavanje električnih alata i upotrebljenih alata, održavanje topline ruku, organizacija i radne postupke.

Utvrdite dodatne sigurnosne mjere za zaštitu poslužioca protiv djelovanja titranja kao npr.: Održavanje električnih alata i upotrebljenih alata, održavanje topline ruku, organizacija i radne postupke.

Utvrdite dodatne sigurnosne mjere za zaštitu poslužioca protiv djelovanja titranja kao npr.: Održavanje električnih alata i upotrebljenih alata, održavanje topline ruku, organizacija i radne postupke.

Utvrdite dodatne sigurnosne mjere za zaštitu poslužioca protiv djelovanja titranja kao npr.: Održavanje električnih alata i upotrebljenih alata, održavanje topline ruku, organizacija i radne postupke.

Utvrdite dodatne sigurnosne mjere za zaštitu poslužioca protiv djelovanja titranja kao npr.: Održavanje električnih alata i upotrebljenih alata, održavanje topline ruku, organizacija i radne postupke.

Utvrdite dodatne sigurnosne mjere za zaštitu poslužioca protiv djelovanja titranja kao npr.: Održavanje električnih alata i upotrebljenih alata, održavanje topline ruku, organizacija i radne postupke.

Utvrdite dodatne sigurnosne mjere za zaštitu poslužioca protiv djelovanja titranja kao npr.: Održavanje električnih alata i upotrebljenih alata, održavanje topline ruku, organizacija i radne postupke.

Utvrdite dodatne sigurnosne mjere za zaštitu poslužioca protiv djelovanja titranja kao npr.: Održavanje električnih alata i upotrebljenih alata, održavanje topline ruku, organizacija i radne postupke.

Utvrdite dodatne sigurnosne mjere za zaštitu poslužioca protiv djelovanja titranja kao npr.: Održavanje električnih alata i upotrebljenih alata, održavanje topline ruku, organizacija i radne postupke.

Utvrdite dodatne sigurnosne mjere za zaštitu poslužioca protiv djelovanja titranja kao npr.: Održavanje električnih alata i upotrebljenih alata, održavanje topline ruku, organizacija i radne postupke.

Utvrdite dodatne sigurnosne mjere za zaštitu poslužioca protiv djelovanja titranja kao npr.: Održavanje električnih alata i upotrebljenih alata, održavanje topline ruku, organizacija i radne postupke.

Utvrdite dodatne sigurnosne mjere za zaštitu poslužioca protiv djelovanja titranja kao npr.: Održavanje električnih alata i upotrebljenih alata, održavanje topline ruku, organizacija i radne postupke.

Utvrdite dodatne sigurnosne mjere za zaštitu poslužioca protiv djelovanja titranja kao npr.: Održavanje električnih alata i upotrebljenih alata, održavanje topline ruku, organizacija i radne postupke.

Utvrdite dodatne sigurnosne mjere za zaštitu poslužioca protiv djelovanja titranja kao npr.: Održavanje električnih alata i upotrebljenih alata, održavanje topline ruku, organizacija i radne postupke.

Utvrdite dodatne sigurnosne mjere za zaštitu poslužioca protiv djelovanja titranja kao npr.: Održavanje električnih alata i upotrebljenih alata, održavanje topline ruku, organizacija i radne postupke.

Utvrdite dodatne sigurnosne mjere za zaštitu poslužioca protiv djelovanja titranja kao npr.: Održavanje električnih alata i upotrebljenih alata, održavanje topline ruku, organizacija i radne postupke.

Utvrdite dodatne sigurnosne mjere za zaštitu poslužioca protiv djelovanja titranja kao npr.: Održavanje električnih alata i upotrebljenih alata, održavanje topline ruku, organizacija i radne postupke.

Utvrdite dodatne sigurnosne mjere za zaštitu poslužioca protiv djelovanja titranja kao npr.: Održavanje električnih alata i upotrebljenih alata, održavanje topline ruku, organizacija i radne postupke.

Utvrdite dodatne sigurnosne mjere za zaštitu poslužioca protiv djelovanja titranja kao npr.: Održavanje električnih alata i upotrebljenih alata, održavanje topline ruku, organizacija i radne postupke.

Utvrdite dodatne sigurnosne mjere za zaštitu poslužioca protiv djelovanja titranja kao npr.: Održavanje električnih alata i upotrebljenih alata, održavanje topline ruku, organizacija i radne postupke.

Utvrdite dodatne sigurnosne mjere za zaštitu poslužioca protiv djelovanja titranja kao npr.: Održavanje električnih alata i upotrebljenih alata, održavanje topline ruku, organizacija i radne postupke.

Utvrdite dodatne sigurnosne mjere za zaštitu poslužioca protiv djelovanja titranja kao npr.: Održavanje električnih alata i upotrebljenih alata, održavanje topline ruku, organizacija i radne postupke.

Utvrdite dodatne sigurnosne mjere za zaštitu poslužioca protiv djelovanja titranja kao npr.: Održavanje električnih alata i upotrebljenih alata, održavanje topline ruku, organizacija i radne postupke.

Utvrdite dodatne sigurnosne mjere za zaštitu poslužioca protiv djelovanja titranja kao npr.: Održavanje električnih alata i upotrebljenih alata, održavanje topline ruku, organizacija i radne postupke.

Utvrdite dodatne sigurnosne mjere za zaštitu poslužioca protiv djelovanja titranja kao npr.: Održavanje električnih alata i upotrebljenih alata, održavanje topline ruku, organizacija i radne postupke.

Utvrdite dodatne sigurnosne mjere za zaštitu poslužioca protiv djelovanja titranja kao npr.: Održavanje električnih alata i upotrebljenih alata, održavanje topline ruku, organizacija i radne postupke.

Utvrdite dodatne sigurnosne mjere za zaštitu poslužioca protiv djelovanja titranja kao npr.: Održavanje električnih alata i upotrebljenih alata, održavanje topline ruku, organizacija i radne postupke.

Utvrdite dodatne sigurnosne mjere za zaštitu poslužioca protiv djelovanja titranja kao npr.: Održavanje električnih alata i upotrebljenih alata, održavanje topline ruku, organizacija i radne postupke.

Utvrdite dodatne sigurnosne mjere za zaštitu poslužioca protiv djelovanja titranja kao npr.: Održavanje električnih alata i upotrebljenih alata, održavanje topline ruku, organizacija i radne postupke.

Utvrdite dodatne sigurnosne mjere za zaštitu poslužioca protiv djelovanja titranja kao npr.: Održavanje električnih alata i upotrebljenih alata, održavanje topline ruku, organizacija i radne postupke.

Utvrdite dodatne sigurnosne mjere za zaštitu poslužioca protiv djelovanja titranja kao npr.: Održavanje električnih alata i upotrebljenih alata, održavanje topline ruku, organizacija i radne postupke.

Utvrdite dodatne sigurnosne mjere za zaštitu poslužioca protiv djelovanja titranja kao npr.: Održavanje električnih alata i upotrebljenih alata, održavanje topline ruku, organizacija i radne postupke.

Utvrdite dodatne sigurnosne mjere za zaštitu poslužioca protiv djelovanja titranja kao npr.: Održavanje električnih alata i upotrebljenih alata, održavanje topline ruku, organizacija i radne postupke.

sa visokim reakcijskim momentom. Pronađite i otklonite uzrok blokiranja alata koji se upotrebljava uz poštivanje sigurnosnih uputa.

Mogući uzroci tome mogu biti:

- Izobličavanje u izratku koji se obrađuje
- Probijanje materijala koji se obrađuje
- Preopterećenje električnog alata

Nemojte sezati u stroj koji radi.

Upotrebljeni alat se može za vrijeme korištenja zagrijati.

UPOZORENIE! Opasnost od opekotina

- kod promjene alata
- kod odlaganja uređaja

Piljevina ili iverje se za vrijeme rada stroja ne smiju odstranjivati.

Priključni kabel uvijek držati udaljenim sa područja djelovanja.

Kabel uvijek voditi od stroja prema nazad.

Kod radova na zidu, stropu ili podu paziti na električne kablove kao i vodove plina i vode.

Osigurajte vaš izradak jednim steznim uređenjem. Neosigurani izradci mogu prouzročiti teške povrede i oštećenja.

Prije radova na stroju izvući utikač iz utičnice.

Kod velikih promjera bušenja mora dodatna ručka biti pričvršćena pravokutno prema glavnoj ručki. Vidi i sliku, odsječak "Ručku zaokrenuti".

PROPIISNA UPOTREBA

K545 S: Bušać čekić je univerzalno upotrebljiv za čekično bušenje i klesanje u kamenu i betonu.

K500 S: Čekić je upotrebljiv za klesanje u kamenju i betonu.

Ovaj aparat se smije upotrijebiti samo u određene svrhe kao što je navedeno.

CE-IZJAVA KONFORMNOSTI

Izjavljujemo na osobnu odgovornost, da je proizvod opisan pod "Tehnički podaci", sukladan sa svim relevantnim propisima smjernice 2011/65/EU (RoHS), 2004/108/EC, 2006/42/EC i sa sljedećim harmoniziranim normativnim dokumentima:

EN 60745-1:2009 + A11:2010

EN 60745-2-6:2010

EN 55014-1:2006 + A1:2009 + A2:2011

EN 55014-2:1997 + A1:2001 + A2:2008

EN 61000-3-2:2006 + A1:2009 + A2:2009

EN 61000-3-3:2008

EN 50581:2012

Winnenden, 2014-07-08

Alexander Krug

Alexander Krug

Managing Director

Ovlašten za formiranje tehničke dokumentacije.

Techtronic Industries GmbH

Max-Eyth-Straße 10

71364 Winnenden

Germany

PRIKLJUČAK NA MREŽU

Utičnice na vanjskom području moraju biti opremljene zaštitnim prekidačima za pogrešnu struju (FI, RCD, PRCD). To zahtjeva instalacijski propis za električne uređaje. Molimo da ovo poštujuete prilikom upotrebe našeg aparata.

Priključiti samo na jednofaznu naizmjeničnu struju i samo na napon struje, naveden na pločici snage. Priključak je moguć i na utičnice bez zaštitnog kontakta, jer postoji dogradnja zaštitne klase II.

Uređaj priključiti na utičnicu samo kada je isključen.

Uređaj je podešen za profesionalnu upotrebu. Prilikom priključivanja na javnu električnu mrežu niskog napona, uređaj

može neznatno prekoračiti orijentacijsku vrijednost gornjih valova električnog toka. Iz toga razloga prije priključivanja kontaktirajte Vašeg pristojnog dobavljača električne energije.

ODRŽAVANJE

Prereze za prozračivanje stroja uvijek držati čistima.

Kod istrošenih ugljenih četkica bi se uz zamjenu ugljenih četkica trebao dodatno sprovesti servis u nekoj servisnoj radionici. To povećava vijek trajanja stroja i jamči stalnu spremnost pogona.

Ako je mrežni priključni vod oštećen, mora se od strane servisa zamijeniti, zato što je za to potreban specijalan alat.

Primijeniti samo Milwaukee opremu i rezervne dijelove. Sastavne dijelove, čija zamjena nije opisana, dati zamijeniti kod jedne od Milwaukee servisnih službi (poštivati brošuru Garancija/Adrese servisa).

Po potrebi se može zatražiti crtež eksplozije aparata uz davanje podataka o tipu stroja i desetoznamenkastog broja na pločici snage kod Vaše servisne službe ili direktno kod Techtronic Industries GmbH, Max-Eyth-Straße 10, 71364 Winnenden, Germany.

SIMBOLI



PAŽNJA! UPOZORENIE! OPASNOST!



Prije radova na stroju izvući utikač iz utičnice.



Molimo da pažljivo pročitate uputu o upotrebi prije puštanja u rad.



Oprema - u opsegu isporuke nije sadržana, preporučena dopuna iz promgrama opreme.



Električni uređaji se ne smiju zbrinjivati skupa sa kućnim smećem. Električni uređaji se moraju skupljati odvojeno i predati na zbrinjavanje primjereno okolišu jednom od pogona za iskorišćavanje. Raspitajte se kod mjesnih vlasti ili kod stručnog trgovca u svezi gospodarstva za recikliranje i mjesta skupljanja.



Električni alat zaštitne kategorije II. Električni alat, čija zaštita od jednog električnog udara ne zavisi samo od osnovne izolacije, već i od toga, da se primijene dodatne zaštitne mjere, kao što su dvostruka izolacija ili pojačana izolacija. Ne postoji nikakva naprava za priključak nekog zaštitnog voda.



Oznaka-CE



Regulatory Compliance Mark (RCM). Proizvod ispunjava valjane propise.



EurAsian znak konformnosti.

TEHNISKIE DATI	K500 S	K545 S
Izlaides numurs	4421 66 01...	4422 01 01...
.....	4421 58 01...	4421 96 01...
.....	4326 06 01...	4324 51 01...
.....	4077 95 01...	4260 25 01...
.....	4078 00 01...	4260 15 01...
.....	..000001-999999	..000001-999999
Nominālā atdotā jauda.....	1300 W.....	1300 W
Cietkoks.....	650 W.....	650 W
Apgriezieni tukšgaitā.....	300 min ⁻¹	300 min ⁻¹
maks. apgriezienu skaits ar slodzi.....	300 min ⁻¹	300 min ⁻¹
maks. slīnienu biežums ar slodzi.....	2840 min ⁻¹	2840 min ⁻¹
Atsevišķo triecienu enerģija atbilstoši EPTA-Procedure 05/2009	8,5 J	8,5 J
Urbsšanas diametrs betonā.....	45 mm	45 mm
Tuneļurbis betonam, ķieģeļiem un kaļķsmilšakmenim	65 mm	65 mm
Dobs kroņurbis betonam, ķieģeļiem un kaļķsmilšakmenim	100 mm	100 mm
Kakla diametrs.....	66 mm	66 mm
Svars atbilstoši EPTA -Procedure 01/2003.....	6,3 kg	6,7 kg

Trokšņu informācija K545 S

Vērtības, kas noteiktas saskaņā ar EN 60 745.

A novērtētās aparātūras skaņas līmenis ir:

Trokšņa spiediena līmenis (Nedrošība K=3dB(A))..... 98,5 dB (A)

Trokšņa jaudas līmenis (Nedrošība K=3dB(A))..... 109,5 dB (A)

Nēsāt trokšņa slāpētāju!

Trokšņu informācija K500 S

Instrumenta tipiskais pēc A vērtētais trokšņa spiediena līmenis

parasti sastāda 91 dB (A)

Vērtības, kas noteiktas saskaņā ar 2005/88/EK pie lietotāja auss.

2005/88/EK: Konformitātes novērtēšanas process saskaņā ar VI.

pielikumu. Minētā vieta:

VDE Eksaminēšanas un sertificēšanas institūts, adrese: Merianstr.

28, 63069 Offenbach, Vācija.

Izmērītais trokšņa jaudas līmenis..... 101 dB (A)

Garantētais trokšņa jaudas līmenis..... 104 dB (A)

Nēsāt trokšņa slāpētāju!

Vibrāciju informācija

Svārstību kopējā vērtība (Trīs virzienu vektoru summtiek noteikta

atbilstoši EN 60745.

Urbsšana betonā:

Svārstību emisijas vērtība a_h.....11,5 m/s²

Nedrošība K=..... 1,5 m/s²

Skaldīšana

Svārstību emisijas vērtība a_h.....11,5 m/s²..... 9 m/s²

Nedrošība K=..... 1,9 m/s²..... 1,9 m/s²

UZMANĪBU

Instrukcijā norādītā svārstību robežvērtība ir izmērīta mērījumu procesā, kas veikts atbilstoši standartam EN 60745, un to var izmantot elektroinstrumentu savstarpējai salīdzināšanai. Tā ir piemērota arī svārstību noslogojuma pagaidu izvērtēšanai.

Norādītā svārstību robežvērtība ir reprezentatīva elektroinstrumenta pamata pielietojuma jomām. Tomēr, ja elektroinstrumenti tiek pielietoti citās jomās, papildus izmantojot neatbilstošus elektroinstrumentus vai pēc nepietiekamas tehniskās apkopes, tad svārstību robežvērtība var atšķirties. Tas var ievērojami palielināt svārstību noslogojumu visa darba laikā.

Precīzai svārstību noslogojuma noteikšanai, ir jāņem vērā arī laiks, kad ierīces ir izslēgta vai arī ir ieslēgta, tomēr faktiski netiek lietota. Tas var ievērojami samazināt svārstību noslogojumu visa darba laikā.

Integrējiet papildus drošības pasākumus pret svārstību ietekmi lietotājam, piemēram: elektroinstrumentu un darba instrumentu tehniskā apkope, roku siltuma uzturēšana, darba procesu organizācija.

⚠ BRĪDINĀJUMS! Izlasiet visus drošības brīdinājumus un instrukcijas. Šeit sniegto drošības noteikumu un norādījumu neievērošana var izraisīt aizdegšanos un būt par cēloni elektriskajam triecienam vai nopietnam savainojumam. **Pēc izlasīšanas uzglabājiet šos noteikumus turpmākai izmantošanai.**

⚠ Drošības norādījumi darbā ar rotējošais āmurs

Lietojiet dzirdes aizsargu, izmantojot āmururbi. Trokšņa iedarbība var izraisīt dzirdes zudumu.

Lietojiet instrumentam pievienotos papildus rokturus. Zaudējot kontroli, var gūt ievainojumus.

Lerči turiet aiz izolētiem rokturiem, ja veicat darbus, kuros griešanas darbiem izmantojamais instruments var skart paslēptus elektrovadus vai pats savu kabeli. Šī instrumenta

saskare ar strāvu vadošiem kabeļiem var radīt spriegumu arī ierīces metāliskajās daļās un var izraisīt elektrisko triecienu.

Citas drošības un darba instrukcijas

Jāizmanto aizsargaprīkojums. Strādājot ar mašīnu, vienmēr jānēsā aizsargbrilles. Ieteicams nēsāt aizsargapģērbus, kā piemēram, aizsargmasku, aizsargcimdus, kurpes no stingra un neslīdīga materiāla, ķiveri un ausu aizsargus.

Putekļi, kas rodas darba gaitā, bieži ir kaitīgi veselībai un tiem nevajadzētu nokļūt organismā. Jānēsā piemērota maska, kas pasargā no putekļiem.

Nedrīkst apstrādāt materiālus, kas rada draudus veselībai (piemēram, azbestu).

Ja izmantojamais darba rīks tiek bloķēts, nekavējoties izslēgt ierīci! Neieslēdziet ierīci, kamēr izmantojamais darba rīks ir bloķēts; var

rausties atsiens ar augstu griezes momentu. Noskaidrojiet un novērsiet izmantojamā darba rīka bloķēšanas iemeslu, ievērojot visas drošības norādes.

Iespējamie iemesli:

- iesprūdis apstrādājamajā materiālā
- apstrādājamais materiāls ir caursists
- elektroinstruments ir pārslogots

I+AAZeslēgtai ierīcei nepieskarties.

Izmantojamais darba rīks darba gaitā var stipri sakarst.

UZMANĪBU! Bīstamība apdedzināties

- veicot darba rīka nomaņņu
- noliekot iekārtu

Skaidas un atlūzas nedrīkst ņemt ārā, kamēr mašina darbojas.

Pievienojuma kabeli vienmēr turēt atstatu no mašīnas darbības lauka. Kabeļiem vienmēr jāatrodas aiz mašīnas.

Veicot darbus sienu, griestu un grīdas apvidū, vajag uzmanīties, lai nesabojātu elektriskos, gāzes un ūdens vadus.

Fiksējiet apstrādājamo materiālu ar fiksācijas aprīkojumu.

Nenostiprināti materiāli var izraisīt smagus savainojumus un bojājumus.

Pirms jebkādiem darbiem, kas attiecas uz mašīnas apkopi, mašīnu noteikti vajag atvienot no kontaktligzdas.

Pie liela urbsšanas diametra papildus rokturi vajag piestiprināt perpendikulāri galvenajam rokturim. Skat. arī attēlus nodaļā "Pagriezti rokturi".

NOTEIKUMIEM ATBILSTOŠS IZMANTOJUMS

K545 S: Atskaldāmais āmurs ir universāli izmantojams urbsšanai un akmens un betona skaldīšanai.

K500 S: Āmurs ir izmantojams akmens un betona skaldīšanai.

Šo instrumentu drīkst izmantot tikai saskaņā ar minētajiem lietošanas noteikumiem.

ATBILSTĪBA CE NORMĀM

Mēs apliecinām, ka produkts, kura tehniskie parametri aprakstīti "tehniko datu lapā", pilnībā atbilst prasībām saskaņā ar direktīvām 2011/65/EU (RoHS), 2004/108/EK, 2006/42/EK un attiecīgajiem harmonizētajiem normatīvajiem dokumentiem:

EN 60745-1:2009 + A11:2010

EN 60745-2-6:2010

EN 55014-1:2006 + A1:2009 + A2:2011

EN 55014-2:1997 + A1:2001 + A2:2008

EN 61000-3-2:2006 + A1:2009 + A2:2009

EN 61000-3-3:2008

EN 50581:2012

Winnenden, 2014-07-08



Alexander Krug
Managing Director



Pilnvarotais tehniskās dokumentācijas sastādīšanā.

Techtronic Industries GmbH

Max-Eyth-Straße 10

71364 Winnenden

Germany

TĪKLA PIESLĒGUMS

Kontaktligzdām, kas atrodas ārpus telpām jābūt aprīkotām ar automātiskiem drošinātājslēdzīem, kas nostrādā, ja strāvas plūsmā radušies (FI, RCD, PRCD) bojājumi. To pieprasa jūsu elektroiekārtas instalācijas noteikumi. Lūdzu, to ņemt vērā, izmantojot mūsu instrumentus.

Pieslēgt tikai vienpola maiņstrāvas tīklam un tikai spriegumam, kas norādīts uz jaudas paneļa. Pieslēgums iespējams arī kontaktligzdām bez aizsargkontaktiem, jo runa ir par uzbūvi, kas atbilst II. aizsargklasei.

Instrumentu pieslēgt kontaktligzdai tikai izslēgtā stāvoklī.

Iekārta ir paredzēta profesionālajai lietošanai. Pieslēdzot iekārtu pie parastā zema sprieguma tīkla, var tikt negatīvi ietekmēta zema sprieguma tīkla darbība. Pirms pieslēgt iekārtu pie zema sprieguma tīkla lūdzu sazinieties ar vietējo elektroenerģijas piegādātāju.

APKOPE

Vajag vienmēr uzmanīt, lai būtu tīras dzesēšanas atveres.

Ja ir nolietojušās elektromotora ogļītes, papildus to nomaņai būtu jāveic instrumenta apskate sevisā darbnīcā. Tas pagarinās mašīnas kalpošanas ilgumu un garantēs tās pastāvīgu darbību.

Ja ir bojāts tīkla pieslēguma vads, tad tā apmaiņa jānodrošina klientu apkalpošanas servisam, kuram ir nepieciešami speciālie darba rīki.

Izmantojiet tikai firmu Milwaukee piederumus un firmas rezerves daļas. Lieciet nomainīt detaļas, kuru nomaņai nav aprakstīta, kādā no firmu Milwaukee klientu apkalpošanas servisiem. (Skat. brošūru "Garantija/klientu apkalpošanas serviss".)

Ja nepieciešams, klientu apkalpošanas servisā vai tieši pie firmas Techtronic Industries GmbH, Max-Eyth-Straße 10, 71364 Winnenden, Germany, var pieprasīt instrumenta numurs, kas norādīts uz jaudas paneļa.

SIMBOLI



UZMANĪBU! BĪSTAMI!



Pirms jebkādiem darbiem, kas attiecas uz mašīnas apkopi, mašīnu noteikti vajag atvienot no kontaktligzdas.



Pirms sākt lietot instrumentu, lūdzu, izlasiet lietošanas pamācību.



Piederumi - standartaprīkojumā neietvertas, bet ieteicamās papildus komplektācijas detaļas no piederumu programmas.



Elektroiekārtas nedrīkst izmest kopā ar sadzīves atkritumiem.

Elektriskās un elektroniskās iekārtas ir jāsavāc atsevišķi un jānodod pārstrādes uzņēmumam, kas no tām atbrīvosies dabai draudzīgā veidā.

Meklējiet otrreizējās pārstrādes poligonus un savākšanas punktus vietējās pārvaldes iestādēs vai pie preces pārdevēja.



II aizsardzības klases elektroinstrumenti. Elektroinstrumenti, kuram aizsardzība pret elektrisko triecienu ir atkarīga ne tikai no pamata izolācijas, bet arī no tā, ka tiek piemēroti papildu aizsardzības pasākumi, piemēram, dubultā izolācija vai pastiprināta izolācija. Aizsarga pieslēgšanai instrumenti nav paredzēti.

CE marķējums



Regulatory Compliance Mark (RCM). Produkts atbilst spēkā esošajiem noteikumiem.



EurAsian atbilstības marķējums.



TECHNINIAI DUOMENYS	K500 S	K545 S
Produkto numeris	4421 66 01...	4422 01 01...
.....	4421 58 01...	4421 96 01...
.....	4326 06 01...	4324 51 01...
.....	4077 95 01...	4260 25 01...
.....	4078 00 01...	4260 15 01...
.....	..000001-999999	..000001-999999
Vardinė imamoji galia	1300 W.....	1300 W
Išėjimo galia.....	650 W.....	650 W
Sūkių skaičius laisva eiga.....	300 min ⁻¹	300 min ⁻¹
Sūkių skaičius su apkrova maks.....	300 min ⁻¹	300 min ⁻¹
Maks. smūgių skaičius su apkrova.....	2840 min ⁻¹	2840 min ⁻¹
Smūgio energija pagal „EPTA-Procedure 05/2009“	8,5 J	8,5 J
Gręžimo Ø betone.....	45 mm	45 mm
Cilindrinis grąžtas betonui, degintoms ir silikatinėms plytom.....	65 mm	65 mm
Vamzdinė gręžimo galvutė betonui, degintoms ir silikatinėms plytom.....	100 mm	100 mm
Išvėrimo ašies Ø	66 mm	66 mm
Prietaiso svoris įvertintas pagal EPTA 2003/01 tyrimų metodiką.....	6,3 kg	6,7 kg

Informacija apie keliamą triukšmą K545 S

Vertės matuotos pagal EN 60 745.

Įvertintas A įrenginio keliamo triukšmo lygis dažniausiai sudaro:

Garso slėgio lygis (Paklaida K=3dB(A)).....	98,5 dB (A)
Garso galios lygis (Paklaida K=3dB(A)).....	109,5 dB (A)

Nešioti klausos apsaugines priemones!

Informacija apie keliamą triukšmą K500 S

Prietaisui būdingas garso slėgio lygis, koreguotas pagal A dažnio

charakteristiką, 91 dB (A)

Vertės matuotos pagal 2005/88/EB ties dirbančiojo ausimi.

2005/88/EB: Atitikties įvertinimo procedūra pagal priedą VI. Įgaliota instancija:

„VDE Prüf- und Zertifizierungsinstitut“, Merianstr. 28,

63069 Offenbach, Vokietija

Išmatuotas garso galios lygis 101 dB (A)

Garantuojamas garso galios lygis 104 dB (A)

Nešioti klausos apsaugines priemones!

Informacija apie vibraciją

Bendroji svyravimų reikšmė (trijų krypčių vektorių suma), nustatyta remiantis EN 60745.

Gręžimas betone:

Vibravimų emisijos reikšmė a_w.....11,5 m/s²

Paklaida K=.....1,5 m/s²

Atskėlimas

Vibravimų emisijos reikšmė a_w.....11,5 m/s²..... 9 m/s²

Paklaida K=.....1,9 m/s²..... 1,9 m/s²

DĖMESIO

Instrukcijoje nurodyta svyravimų ribinė vertė yra išmatuota remiantis standartu EN 60745; ji gali būti naudojama keliems elektriniams instrumentams palyginti. Ji taikoma ir laikinai įvertinti svyravimų apkrova.

Nurodyta svyravimų ribinė vertė yra taikoma pagrindinėse elektrinio instrumento naudojimo srityse. Svyravimų ribinė vertė gali skirtis naudojant elektrinį instrumentą kitose srityse, papildomai naudojant netinkamus elektrinius instrumentus arba juos nepakankamai techniškai prižiūrint. Dėl to viso darbo metu gali žymiai padidėti svyravimų apkrova.

Siekiant tiksliai nustatyti svyravimų apkrovą, būtina atsižvelgti ir į laikotarpį, kai įrenginys yra išjungtas arba įjungtas, tačiau faktiškai nenaudojamas. Dėl to viso darbo metu gali žymiai sumažėti svyravimų apkrova.

Siekiant apsaugoti vartotojus nuo svyravimo įtakos naudojamoms papildomos saugos priemonės, pavyzdžiui, elektrinių darbo instrumentų techninė priežiūra, rankų šilumos palaikymas, darbo procesų organizavimas.

⚠️ ĮSPĖJIMAS! Perskaitykite visus saugos nurodymus ir instrukcijas. Jei nepaisysite žemiau pateiktų saugos nuorodų ir reikalavimų, gali trenkti elektros smūgis, kilti gaisras ir/arba galite sunkiai susižaloti arba sužaloti kitus asmenis. **Išsaugokite šias saugos nuorodas ir reikalavimus, kad ir ateityje galėtumėte jais pasinaudoti.**

⚠️ Sukamasis plaktukas saugumo nurodymai

Dirbdami su smūginiu grąžtu, visuomet naudokite apsaugines ausų priemones. Dėl didelio triukšmo poveikio gali būti pažeidžiama klausa.

Naudokite į prietaiso komplektaciją įeinančias papildomas rankenas. Nesuvaldžius prietaiso galima susižeisti.

Dirbdami laikykite prietaisą už izoliuotų vietų, kuriose pjovimo įrenginys pats galėtų liesti paslėptus laidus arba savo paties

laidą. Pjovimo įrenginio kontaktas su įtampos laidais gali įelektrinti metalines prietaiso dalis, o tai gali sukelti elektros iškvąpą.

Kiti saugumo ir darbo nurodymai

Dėvėkite apsaugines priemones. Dirbdami su mašina visada užsidėkite apsauginius akinius. Rekomenduotina dėvėti apsaugines priemones: apsaugos nuo dulkių respiratorius, apsaugines pirštines, kietus batus neslidžiais padais, šalmą ir klausos apsaugos priemones.

Darbo metu susidaranti dulkės yra dažnai kenksmingos sveikatai ir todėl turėtų nepatekti į organizmą. Dėvėti tinkamą apsauginę kaukę nuo dulkių.

Negalima apdirbti medžiagų, dėl kurių galimi sveikatos pažeidimai (pvz., asbesto).

Blokuojant įstatomąjį įrankį būtina išjungti prietaisą! Neįjunkite prietaiso, kol įstatomasis įrankis yra užblokuotas; galimas

grįžtamasis smūgis su dideliu sukimo momentu. Atsižvelgdami į saugumo nurodymus, nustatykite ir pašalinkite įstatomojo įrankio blokavimo priežastį.

Galimos priežastys:

- Susidariusios apdirbamo ruošinio briaunos
- Apdirbamos medžiagos pratrūkimas
- Elektros įrankio perkrova

Nekiskite rankų į veikiančią mašiną.

Naudojamas įstatomasis įrankis gali įkaisti.

DĖMESIO! Pavojus nusideginti

- keičiant įrankį
- padedant prietaisą

Draudžiama išiminti drožles ar nuopjovas, įrenginiui veikiant.

Maitinimo kabelis turi nebūti įrenginio poveikio srityje. Kabelį visada nuveskite iš galinės įrenginio pusės.

Dirbdami sienoje, lubose arba grindyse, atkreipkite dėmesį į elektros laidus, dujų ir vandens vamzdžius.

Ruošinį užfiksuokite įtempimo įrenginiu. Neužfiksuoti ruošiniai gali sunkiai sužaloti ir būti pažeidimų priežastimi.

Prieš atikdami bet kokius įrenginyje, ištraukite iš lizdo kištuką.

Atliekant didesnio skersmens gręžimus, papildomą rankeną reikia pritvirtinti statmenai pagrindinei rankenai. Žr. ir iliustracijų dalyje esantį skyrelį: „Rankenos persukimas“.

NAUDOJIMAS PAGAL PASKIRTĮ

K545 S: Smūginį gręžtuvą galima universaliai naudoti smūginiam gręžimui bei kalimui uolienoje ir betone.

K500 S: Atskėlimo plaktuką galima naudoti uolienų ir betono atskėlimui.

Šį prietaisą leidžiama naudoti tik pagal nurodytą paskirtį.

CE ATITIKTIES PAREIŠKIMAS

Remiantis bendrais atsakomybės reikalavimais pareiškiam, jog skyriuje "Techniniai duomenys" aprašytas produktas atitinka visus toliau pateiktų juridinių direktyvų reikalavimus: 2011/65/EU (RoHS), 2004/108/EB, 2006/42/EB ir kitus su jomis susijusius norminius dokumentus:

EN 60745-1:2009 + A11:2010

EN 60745-2-6:2010

EN 55014-1:2006 + A1:2009 + A2:2011

EN 55014-2:1997 + A1:2001 + A2:2008

EN 61000-3-2:2006 + A1:2009 + A2:2009

EN 61000-3-3:2008

EN 50581:2012

Winnenden, 2014-07-08

Alexander Krug

Alexander Krug
Managing Director



Įgaliotas parengti techninius dokumentus.

Techtronic Industries GmbH

Max-Eyth-Straße 10

71364 Winnenden

Germany

ELEKTROS TINKLO JUNGTIJS

Lauke esantys el. lizdai turi būti su gedimo srovės išjungikliais. Tai nurodyta Jūsų elektros įrenginio instaliacijos taisyklėse (FI, RCD, PRCD). Atsižvelkite į tai, naudodami prietaisą.

Jungti tik prie vienfazės kintamos elektros srovės ir tik į specifikacijų lentelėje nurodytos įtampos elektros tinklą. Konstrukcijos saugos klasė II, todėl galima jungti ir į lizdus be apsauginio kontakto.

Į elektros tinklą junkite tik išjungtą prietaisą.

Šis prietaisas skirtas profesionaliam naudojimui, todėl jungiamas prie viešojo žemos įtampos tinklo gali šiek tiek viršyti standartinį

viršutinės srovės bangos dydį. Todėl reikalui esant, prieš jungdami prietaisą prie viešojo žemos įtampos tinklo, susisiekite su energiją tiekiančiąja įmone.

TECHNINIS APTARNAVIMAS

Įrenginio vėdinimo angos visada turi būti švarios.

Keičiant susidėvėjusius anginius šepetėlius, be šepetėlių keitimo aptarnavimo dirbtuvėse reikėtų atlikti techninį prietaiso aptarnavimą. Tai prailgina įrenginio tarnavimo laiką ir užtikrina nuolatinę parengtį darbui.

Jeigu pažeistas elektros laidas, pakeiskite jį remonto dirbtuvėje, nes tam reikia specialaus prietaiso.

Naudokite tik Milwaukee priedus ir atsargines dalis. Dalis, kurių keitimas neaprašytas, leidžiama keisti tik Milwaukee klientų aptarnavimo skyriams (žr. garantiją/klientų aptarnavimo skyrių adresus brošiūroje).

Jei reikia, nurodant įrenginio tipą bei specifikacijų lentelėje esantį numerį, iš klientų aptarnavimo skyriaus arba tiesiai iš Techtronic Industries GmbH, Max-Eyth-Straße 10, 71364 Winnenden, Germany, galima užsisakyti prietaiso surinkimo brėžinius.

SIMBOLIAI



DĖMESIO! ĮSPĖJIMAS! PAVOJUS!



Prieš atikdami bet kokius įrenginyje, ištraukite iš lizdo kištuką.



Prieš pradėdami dirbti su prietaisu, atidžiai perskaitykite jo naudojimo instrukciją.



Priedas – neįeina į tiekimo komplektaciją, rekomenduojamas papildymas iš priedų asortimento.



Elektros prietaisų negalima išmesti kartu su būtinėmis atliekomis. Būtina rūšiuoti elektros ir elektroninius prietaisus ir atiduoti į atliekų perdirbimo centrą, kad jie būtų utilizuoti netersiant aplinkos. Informacijos apie perdirbimo centrus ir atliekų surinkimo įstaigas teiraukitės vietos įstaigoje arba prekybininke.



II apsaugos klasės elektrinis įrankis. Šio elektrinio įrankio apsauga nuo elektros smūgio priklauso ne tik nuo pagrindinės izoliacijos, bet ir nuo to, kaip naudojamos papildomos apsauginės priemonės, tokios kaip dviguba arba pagerinta izoliacija. Nėra jokio prietaiso apsauginio laido pajungimui.



CE ženklas



Regulatorius „Compliance Mark“ (RCM). Produktas atitinka galiojančias taisykles.



„EurAsian“ atitikties ženklas.

TEHNILISED ANDMED	K500 S	K545 S
Tootmisnumber.....	4421 66 01...	4422 01 01...
.....	4421 58 01...	4421 96 01...
.....	4326 06 01...	4324 51 01...
.....	4077 95 01...	4260 25 01...
.....	4078 00 01...	4260 15 01...
.....	..000001-999999	..000001-999999
Nimitarbimine.....	1300 W.....	1300 W
Väljundvõimsus.....	650 W.....	650 W
Pöörlemiskiirus tühjooksul.....	300 min ⁻¹	300 min ⁻¹
Maks pöörlemiskiirus koormusega.....	300 min ⁻¹	300 min ⁻¹
Löökide arv koormusega maks.....	2840 min ⁻¹	2840 min ⁻¹
Löögitugevus EPTA-Procedure 05/2009 kohaselt.....	8,5 J	8,5 J
Puuri ø betoonis.....	45 mm	45 mm
Tunnelpuur betoonis, tellistes ja silikaatkivides.....	65 mm	65 mm
Õõnes-kroonpuur betoonis, tellistes ja silikaatkivides.....	100 mm	100 mm
Kinnituskaela ø.....	66 mm	66 mm
Kaal vastavalt EPTA-protseduurile 01/2003.....	6,3 kg	6,7 kg

Müra andmed K545 S

Möötevaartused on kindlaks tehtud vastavalt normile EN 60 745.

Seadme tüüpiline hinnanguline (A) müratase:

Helirõhutase (Määramatus K=3dB(A)).....	98,5 dB (A)
Helivõimsuse tase (Määramatus K=3dB(A)).....	109,5 dB (A)

Kandke kaitseks kõrvaklappe!

Müra andmed K500 S

Seadme A-filtriga hinnatud helirõhutase

on tüüpiliselt.....	91 dB (A)
---------------------	-----------

Möötevaartus on kindlaks tehtud kasutaja kõrva juures vastavalt direktiivile 2005/88/EÜ.

2005/88/EÜ: vastavushindamismenetlust vastavalt lisale VI.

Teavitatud asutus:

VDE Prüf- und Zertifizierungsinstitut, Merianstr. 28,

63069 Offenbach, Saksamaa.

Möödetud müravõimsuse tase..... 101 dB (A)

Garanteeritud müravõimsuse tase..... 104 dB (A)

Kandke kaitseks kõrvaklappe!

Vibratsiooni andmed

Vibratsiooni koguväärtus (kolme suuna vektorsummmöödetud EN

60745 järgi.

Puurimine betoonis:

Vibratsiooni emissiooni väärtus a_n11,5 m/s²

Määramatus K=..... 1,5 m/s²

Meiseldamine

Vibratsiooni emissiooni väärtus a_n11,5 m/s²

Määramatus K=..... 1,9 m/s²

TÄHELEPANU

Antud juhendis toodud võnketase on möödetud EN 60745 standardile vastava mõõtesüsteemiga ning seda võib kasutada erinevate elektriseadmete omavahelises võrdlemises. Antud näitaja sobib ka esmaseks võnkekoormuse hindamiseks.

Antud võnketase kehtib elektriseadme kasutamisel sihtotstarbisel. Kui elektriseadet kasutatakse muudel otstarvetel, muude tööriistadega või seda ei hooldata piisavalt võib võnketase siintoodust erineda. Eeltoodu võib võnketaset märkimisväärselt tõsta terves töökeskkonnas.

Võnketaseme täpseks hindamiseks tuleks arvestada ka aega, mil seade on välja lülitatud või on küll sisse lülitatud, kuid ei ole otseselt kasutuses. See võib märgatavalt vähendada kogu töökeskkonna võnketaset.

Rakendage spetsiaalseid ettevaatusabinõusid töötajate suhtes, kes puutuvad töö käigus palju kokku vibratsiooniga. Nendeks abinõudeks võivad olla, näiteks: elektri- ja tööseadmete korraline hooldus, käte soojendamine, töövoov parem organiseerimine.

⚠ HOIATUS! Lugege kõiki ohutusjuhiseid ja korraldusi.

Ohutusnõuete ja juhiste eiramise tagajärjeks võib olla elektrilöök, tulekahju ja/või rasked vigastused.

Hoidke kõik ohutusnõuded ja juhised edasiseks kasutamiseks hoolikalt alles.

⚠ Pöördvasar e ohutusjuhised

Kandke löökpuurimisel kuulmekaitset. Müra toime võib põhjustada kuulmiskadu.

Kasutage seadmega koos tarnitud lisakäepidemeid. Kontrolli kaotamine võib põhjustada vigastusi.

Tööde puhul, kus lõikeseade võib minna vastu peidetud elektrijuhtmeid või seadme enda toitejuhet, hoidke kinni seadme isoleeritud käepidemetest. Kokkupuude pingestatud

juhtmega võib pingestada ka lõikeseadme metallist osad ning põhjustada elektrilööki.

Edasised ohutus- ja tööjuhised

Kasutada kaitsevarustust. Masinaga töötamisel kanda alati kaitseprille. Kaitseriietusena soovitatakse kasutada tolmumaski kaitsekindaid, kinniseid ja libisemisvastase tallaga jalanõusid, kiivrit ja kuumisteede kaitset.

Töö ajal tekkiv tolm on sageli tervistkahjustav ning ei tohiks sattuda organismi. Kanda sobivat kaitsemaski.

Töödelda ei tohi materjale, millest lähtub oht tervisele (nt asbest).

Palun lülitage seade rakendustööriista blokeerumise korral kohe välja! Ärge lülitage seadet sisse tagasi, kuni rakendustööriist on blokeeritud; seejuures võib kõrge reaktsioonimomendiga

tagasilöök tekkida. Tehke ohutusjuhiseid arvesse võttes kindlaks ja kõrvaldage rakendustööriista blokeerumise põhjus.

Selle võimalikeks põhjusteks võivad olla:

- viltu asetumine töödeldavas toorikus
- töödeldava materjali läbimurdamine
- elektritööriista ülekoormamine

Ärge sisestage jäsemeid töötavasse masinasse.

Rakendustööriist võib kasutamise ajal kuumaks minna.

TÄHELEPANU! Põletusoh

- tööriista vahetamisel
- seadme ärapanemisel

Puru ega pilpaid ei tohi eemaldada masina töötamise ajal.

Hoidke ühendusjuhe alati masina tööpiirkonnast eemal. Vedage juhe alati masinast tahapoole.

Seina, lae või pöranda tööde puhul pidage silmas elektrijuhtmeid, gaasi- ja veetorusid.

Kinnitage toorik kinnipingutusseadise. Kinnitamata toorikud võivad raskeid vigastusi ja kahjustusi põhjustada.

Enne kõiki töid masina kallal tõmmake pistik pistikupesast välja.

Suurte puurimislabimõõtude puhul tuleb lisakäepide kinnitada peakäpideme külge täisnurga all. Vaata ka piltide osast lõiku „Käepideme keeramine“.

KASUTAMINE VASTAVALT OTSTARBELE

K545 S: Puurvasarat saab universaalselt rakendada kivimite ja betooni puurvasaraga töötlemiseks ja meiseldamiseks.

K500 S: Vasarat saab rakendada kivimite ja betooni meiseldamiseks.

Antud seadet tohib kasutada ainult vastavalt äranäidatud otstarbele.

EÜ VASTAVUSAVALDUS

Me deklareerime ainuisikuliselt vastutades, et lõigus "Tehnilised andmed" kirjeldatud toode vastab direktiivide 2011/65/EU (RoHS), 2004/108/EÜ, 2006/42/EÜ kõigile olulisele tähtsusega eeskirjadele ning järgmistele harmoniseeritud normatiivsetele dokumentidele:

EN 60745-1:2009 + A11:2010

EN 60745-2-6:2010

EN 55014-1:2006 + A1:2009 + A2:2011

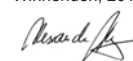
EN 55014-2:1997 + A1:2001 + A2:2008

EN 61000-3-2:2006 + A1:2009 + A2:2009

EN 61000-3-3:2008

EN 50581:2012

Winnenden, 2014-07-08



Alexander Krug
Managing Director



On volitatud koostama tehnilist dokumentatsiooni.

Techtronic Industries GmbH
Max-Eyth-Straße 10
71364 Winnenden
Germany

VÖRKU ÜHENDAMINE

Välitingimustes asuvad pistikupesad peavad olema varustatud rikkevoolukaitselülititega (FI, RCD, PRCD). Seda nõutakse Teie elektriseadme installaerimiseeskirjas. Palun pidage sellest meie seadme kasutamisel kinni.

Ühendage ainult ühefaasilise vahelduvvooluga ning ainult andmesildil toodud võrgupingega. Ühendada on võimalik ka kaitsekontaktita pistikupesadesse, kuna nende konstruktsioon vastab kaitseklassile II.

Ühendage seade pistikupesasse ainult välja lülitatult.

Käesolev seade on mõeldud kasutamiseks professionaalsetel otstarvetel, mis võib veidi ületada üldkasutatava madalpingevõrgu

harmoonilise võnkeulatuse. Seepärast võtke enne seadme ühendamist üldkasutatavasse madalpingevõrku vajadusel ühendust oma energiaruustusetevõttega.

HOOLDUS

Hoidke masina õhutuspilud alati puhtad.

Läbikulunud süsiharjade puhul tuleks klienditeenindustöökojas lisaks süsiharjade vahetusele teha ka hooldus. See pikendab masina eluiga ja tagab pideva käitamisvalmiduse.

Kui võrguühenduskaabel on kahjustatud, tuleb see spetsiaalsete tööriistade kasutamise tõttu lasta välja vahetada klienditeeninduses. Text hier anhängen.

Kasutage ainult Milwaukee tarvikuid ja tagavaraosi. Detailid, mille väljavahetamist pole kirjeldatud, laske välja vahetada Milwaukee klienditeeninduspunkti (vaadake brošüüri garantii / klienditeeninduste aadressid).

Vajaduse korral võite tellida seadme läbilõikejoonise, näidates ära masina tüübi ja andmesildi oleva numbr. Selleks pöörduge klienditeeninduspunkti või otse: Techtronic Industries GmbH, Max-Eyth-Straße 10, 71364 Winnenden, Germany.

SÜMBOLID



ETTEVAATUST! TÄHELEPANU! OHUD!



Enne kõiki töid masina kallal tõmmake pistik pistikupesast välja.



Palun lugege enne käikulaskmist kasutamisujuhend hoolikalt läbi.



Tarvikud - ei kuulu tärme komplekti, soovitatav täiendus on saadaval tarvikute programmis.



Elektriseadmeid ei tohi utiliseerida koos majapidamisprügiga. Elektrilised ja elektroonilised seadmed tuleb eraldi kokku koguda ning keskkonnasõbralikuks utiliseerimiseks vastavas käitlusettevõttes ära anda. Küsige kohalikest pädevatest ametitest või edasimüüjalt käitlusjaamade ja kogumispunktide kohta järele.



Kaitseklassi II elektritööriist. Elektritööriist, mille puhul ei sõltu kaitse mitte üksnes baasisolatsiooni, vaid ka täiendatavate kaitsemeetmete nagu topeltisolatsiooni või tugevdatud isolatsiooni kohaldamisest. Mehhanism kaitsejuhi ühendamiseks puudub.



CE-märk



Regulatory Compliance Mark (RCM). Toode vastab kehtivatele eeskirjadele.



Euraasia vastavusmärk.

ТЕХНИЧЕСКИЕ ДАННЫЕ	K500 S	K545 S
Серийный номер изделия	4421 66 01...	4422 01 01...
.....	4421 58 01...	4421 96 01...
.....	4326 06 01...	4324 51 01...
.....	4077 95 01...	4260 25 01...
.....	4078 00 01...	4260 15 01...
.....	..000001-999999	..000001-999999
Номинальная выходная мощность.....	1300 W	1300 W
Номинальная мощность.....	650 W	650 W
Число оборотов без нагрузки (об/мин)	300 min ⁻¹	300 min ⁻¹
Макс. скорость под нагрузкой	300 min ⁻¹	300 min ⁻¹
Количество ударов при максимальной нагрузке (макс.).....	2840 min ⁻¹	2840 min ⁻¹
Сила одиночного удара в соответствии с EPTA Procedure 05/2009	8,5 J	8,5 J
Производительность сверления в бетон	45 mm	45 mm
Туннельные буры по бетону, кирпичу и известняку.....	65 mm	65 mm
Коронки для работы по бетону, кирпичу и известняку	100 mm	100 mm
Диаметр горловины патрона.....	66 mm	66 mm
Вес согласно процедуре EPTA 01/2003.....	6,3 kg	6,7 kg

Информация по шумам K545 S

Значения замерялись в соответствии со стандартом EN 60 745.

Уровень шума прибора, определенный по показателю A, обычно составляет:

Уровень звукового давления (Небезопасность K=3dB(A))	98,5 dB (A)
Уровень звуковой мощности (Небезопасность K=3dB(A))	109,5 dB (A)

Пользуйтесь приспособлениями для защиты слуха.

Информация по шумам K500 S

Обычное низкочастотное звуковое давление, производимое

инструментом, составляет

Измеряемые значения определяются согласно 2005/88/EC

2005/88/EC: Процедура оценки соответствия согласно Приложения V1.

Сертификационный орган:

VDE Testing and Certification Institute, Merianstr. 28,

63069 Offenbach, Germany

Измеренный уровень звуковой мощности

Гарантированный уровень звуковой мощности

Пользуйтесь приспособлениями для защиты слуха.

Информация по вибрации

Общие значения вибрации (векторная сумма трех направлений) определены в соответствии с EN 60745.

Сверление Бетон:

Значение вибрационной эмиссии a_h.....

Небезопасность K=.....

Вырубка

Значение вибрационной эмиссии a_h.....

Небезопасность K=.....

ВНИМАНИЕ

Указанный в настоящем руководстве уровень вибрации измерен в соответствии с технологией измерения, установленной стандартом EN 60745 и может использоваться для сравнения электроинструментов друг с другом. Он также подходит для предварительной оценки вибрационной нагрузки.

Указанный уровень вибрации представляет основные виды использования электроинструмента. Но если электроинструмент используется для других целей, используемый инструмент отклоняется от указанного или техническое обслуживание было недостаточным, то уровень вибрации может отклониться от указанного. В этом случае вибрационная нагрузка в течение всего периода работы значительно увеличивается

Для точной оценки вибрационной нагрузки необходимо также учитывать время, в течение которого прибор отключен или включен, но фактически не используется. В этом случае вибрационная нагрузка в течение всего периода работы может существенно уменьшиться.

Установите дополнительные меры безопасности для защиты пользователя от воздействия вибрации, например: техническое обслуживание электроинструмента и используемого инструмента, поддержание рук в теплом состоянии, организация рабочих процессов.

⚠ ПРЕДУПРЕЖДЕНИЕ! Прочтите все указания по безопасности и инструкции. Упущения, допущенные при соблюдении указаний и инструкций по технике безопасности, могут стать причиной электрического поражения, пожара и тяжелых травм. Сохраняйте эти инструкции и указания для будущего использования.

⚠ Указания по технике безопасности при работе с перфоратор

При ударном сверлении надевайте защитные наушники. Воздействие шума может привести к потере слуха.

Используйте вспомогательные рукоятки, поставляемые вместе с инструментом. Потеря контроля может стать причиной травмы.

Если Вы выполняете работы, при которых режущий инструмент может зацепить скрытую электропроводку или собственный кабель, инструмент следует держать за специально предназначенные для этого изолированные поверхности. Контакт режущего инструмента с токоведущим проводом может вызвать под напряжением металлические части прибора, а также приводить к удару электрическим током.

Дополнительные указания по безопасности и работе

Пользоваться средствами защиты. Работать с инструментом всегда в защитных очках. Рекомендуется спецодежда: пылезаститная маска, защитные перчатки, прочная и нескользящая обувь, каска и наушники.

Пыль, возникающая при работе данным инструментом, может нанести вред здоровью. Не следует допускать её попадания в организм. Надевайте противольевой респиратор.

Запрещается обрабатывать материалы, которые могут нанести вред здоровью (напр., асбест).

При блокировании используемого инструмента немедленно выключить прибор! Не включайте прибор до тех пор, пока используемый инструмент заблокирован, в противном случае может возникнуть отдача с высоким реактивным моментом. Определите и устраните причину блокирования используемого инструмента с учетом указаний по безопасности.

Возможными причинами могут быть:

- перекос заготовки, подлежащей обработке

- разрушение материала, подлежащего обработке
- перегрузка электроинструмента

Не прикасаться к работающему станку.

Используемый инструмент может нагреваться во время применения.

ВНИМАНИЕ! Опасность получения ожога

- при смене инструмента
- при укладывании прибора

Не убирайте опилки и обломки при включенном инструменте.

Держите силовой провод вне рабочей зоны инструмента. Всегда прокладываете кабель за спиной.

При работе в стенах, потолках или полу следите за тем, чтобы не повредить электрические кабели или водопроводные трубы.

Зафиксируйте вашу заготовку с помощью зажимного приспособления. Незафиксированные заготовки могут привести к тяжелым травмам и повреждениям.

Перед выполнением каких-либо работ по обслуживанию инструмента всегда вынимайте вилку из розетки.

При работе с большими диаметрами, дополнительная рукоятка должна быть зафиксирована под прямым углом к основной (см. иллюстрацию).

ИСПОЛЬЗОВАНИЕ

K545 S: Данный перфоратор может одинаково использоваться для ударного сверления и долбления в камне и бетона.

K500 S: Отбойный молоток может использоваться для ударного сверления и долбления в камне и бетона

Не пользуйтесь данным инструментом способом, отличным от указанного для нормального применения.

ДЕКЛАРАЦИЯ О СООТВЕТСТВИИ СТАНДАРТАМ ЕС

Мы заявляем под собственную ответственность, что изделие, описанное в разделе "Технические характеристики", соответствует всем важным предписаниям Директивы 2011/65/EU (Директива об ограничении применения опасных веществ в электрических и электронных приборах), 2004/108/EC, 2006/42/EC и приведенным далее гармонизированным нормативным документам:

EN 60745-1:2009 + A11:2010

EN 60745-2-6:2010

EN 55014-1:2006 + A1:2009 + A2:2011

EN 55014-2:1997 + A1:2001 + A2:2008

EN 61000-3-2:2006 + A1:2009 + A2:2009

EN 61000-3-3:2008

EN 50581:2012

Winnenden, 2014-07-08

Alexander Krug

Alexander Krug
Managing Director



Уполномочен на составление технической документации.

Techtronic Industries GmbH
Max-Eyth-Straße 10
71364 Winnenden
Germany

ПОДКЛЮЧЕНИЕ К ЭЛЕКТРОСЕТИ

Электроприборы, используемые во многих различных местах, в том числе на открытом воздухе, должны подключаться через устройство, предотвращающее резкое повышение напряжения (FI, RCD, PRCD).

Подсоединять только к однофазной сети переменного тока с напряжением, соответствующим указанному на инструменте. Электроинструмент имеет второй класс защиты, что позволяет подключать его к розеткам электропитания без заземляющего вывода.

Перед включением вилки в розетку убедитесь, что машина выключена.

Этот прибор, предназначенный для профессионального использования, способен немного превышать нормативные показатели для гармонической составляющей тока при подключении к общественной сети низкого напряжения. Поэтому перед тем, как подключить прибор, свяжитесь с предприятием, отвечающим за общественную сеть низкого напряжения, или с соответствующей энергосбытовой компанией.

ОБСЛУЖИВАНИЕ

Всегда держите охлаждающие отверстия чистыми.

При износе угольных щеток, в дополнение к замене щеток инструмент следует проверить в сервисном центре. Это обеспечит долгий срок эксплуатации, а также постоянную готовность инструмента к работе.

При повреждении сетевого соединительного кабеля его замену производит служба технической поддержки клиентов, так как для этого требуется специальный инструмент.

Пользуйтесь аксессуарами и запасными частями только фирмы Milwaukee. В случае возникновения необходимости в замене, которая не была описана, пожалуйста, обращайтесь на один из сервисных центров (см. список наших гарантийных/сервисных организаций).

При необходимости может быть заказан чертеж инструмента с трехмерным изображением деталей. Пожалуйста, укажите номер и тип инструмента и закажите чертеж у Ваших местных агентов или непосредственно у Techtronic Industries GmbH, Max-Eyth-Straße 10, 71364 Winnenden, Germany.

СИМВОЛЫ



ВНИМАНИЕ! ПРЕДУПРЕЖДЕНИЕ! ОПАСНОСТИ!



Перед выполнением каких-либо работ по обслуживанию инструмента всегда вынимайте вилку из розетки.



Пожалуйста, внимательно прочтите инструкцию по использованию перед началом любых операций с инструментом.



Принадлежности - В стандартную комплектацию не входит, поставляется в качестве дополнительной принадлежности.



Электрические устройства нельзя утилизировать вместе с бытовым мусором. Электрические и электронные устройства следует собирать отдельно и сдавать в специализированную утилизирующую компанию для утилизации в соответствии с нормами охраны окружающей среды. Сведения о центрах вторичной переработки и пунктах сбора можно получить в местных органах власти или у вашего специализированного дилера.



Электроинструмент с классом защиты II. Электроинструмент, в котором защита от электрического удара зависит не только от основной изоляции, но и от того, что принимаются дополнительные защитные меры, такие как двойная изоляция или усиленная изоляция. Нет устройства для подключения защитного провода.



Знак CE



Regulatory Compliance Mark (RCM). Продукт соответствует требованиям действующих предписаний.



Сертификата о соответствии
No. RU C-DE.ME77.B.01507 (K545S)
No. RU C-DE.ME77.B.01499 (K500S)
Срок действия сертификата о соответствии по 13.05.2019 (K545S)
12.05.2019 (K500S)
ООО «Центр по сертификации стандартизации и систем качества электро-машиностроительной продукции» 141400, РФ, Московская область, г. Химки, Ул. Ленинградская, 29



Національний знак відповідності України

ТЕХНИЧЕСКИ ДАННИ	K500 S	K545 S
Производствен номер.....	4421 66 01....	4422 01 01....
.....	4421 58 01....	4421 96 01....
.....	4326 06 01....	4324 51 01....
.....	4077 95 01....	4260 25 01....
.....	4078 00 01....	4260 15 01....
.....	..000001-999999	..000001-999999
Номинална консумирана мощност.....	1300 W.....	1300 W
Отдавана мощност.....	650 W.....	650 W
Обороти на празен ход.....	300 min ⁻¹	300 min ⁻¹
Макс. обороти при натоварване.....	300 min ⁻¹	300 min ⁻¹
Макс. брой на ударите при натоварване.....	2840 min ⁻¹	2840 min ⁻¹
Енергия на отделен удар Пробиване / Дълбаене.....	8,5 J	8,5 J
Диаметър на свредлото за бетон.....	45 mm	45 mm
Пробивна машина за работа в тунел - за бетон, обикновени и силикатни тухли.....	65 mm	65 mm
Куха боркорона за бетон, обикновени и силикатни тухли.....	100 mm	100 mm
Диаметър на отвора на патронника.....	66 mm	66 mm
Тегло без мрежов кабел.....	6,3 kg	6,7 kg

Информация за шума K545 S

Измерените стойности са получени съобразно EN 60 745.

Оцененото с A ниво на шума на уреда е съответно:

Равнище на звуковото налягане (Несигурност K=3dB(A)).....	98,5 dB (A)
Равнище на мощността на звука (Несигурност K=3dB(A)).....	109,5 dB (A)

Да се носи предпазно средство за слуха!

Информация за шума K500 S

Нивото на звуково налягане на уреда в db (A) обикновено съставлява..... 91 dB (A)

Измерена стойност, определена в съответствие с 2005/88/ЕО до ухото на ползвателя.

2005/88/ЕО: методика за оценяване на съответствието по

Приложение VI. Посочена служба:

Институт на VDE за изпитвания и сертификация , Мерианщраце 28, 63069 Офенбах, Германия.

Измерено ниво на звукова мощност..... 101 dB (A)

Гарантирано ниво на звукова мощност..... 104 dB (A)

Да се носи предпазно средство за слуха!

Информация за вибрациите

Общите стойности на вибрациите (векторна сума на три посоки) са определени в съответствие с EN 60745.

Пробиване бетон:

Стойност на емисии на вибрациите a_h.....11,5 m/s²

Несигурност K=.....1,5 m/s²

Дълбаене

Стойност на емисии на вибрациите a_h.....11,5 m/s²..... 9 m/s²

Несигурност K=.....1,9 m/s²..... 1,9 m/s²

ВНИМАНИЕ

Посоченото в тези инструкции ниво на вибрациите е измерено в съответствие със стандартизиран в EN 60745 измервателен метод и може да се използва за сравнение на електрически инструменти помежду им. Подходящ е и за временна оценка на вибрационното натоварване.

Посоченото ниво на вибрациите представя основните приложения на електрическия инструмент. Ако обаче електрическият инструмент се използва с друго предназначение, с различни сменяеми инструменти или при недостатъчна техническа поддръжка, нивото на вибрациите може да е различно. Това чувствително може да увеличи вибрационното натоварване по време на целия работен цикъл.

За точната оценка на вибрационното натоварване трябва да се вземат предвид и периодите от време, в които уредът е изключен или работи, но в действителност не се използва. Това чувствително може да намали вибрационното натоварване по време на целия работен цикъл.

Определете допълнителни мерки по техника на безопасност в защита на обслужващия работник от въздействието на вибрациите като например: техническа поддръжка на електрическия инструмент и сменяемите инструменти, поддръжане на ръцете топли, организация на работния цикъл.

⚠ ПРЕДУПРЕЖДЕНИЕ! Прочетете всички указания и напътствия за безопасност.

Пропуски при спазването на указанията и напътствията за безопасност могат да доведат до токов удар, пожар и/или тежки наранявания.

Съхранявайте указанията и напътствията за безопасност за справка при нужда.

⚠ Указания за безопасност за перфоратор

Носете предпазни тапи за ушите при ударното пробиване. Шумът може да доведе до загуба на слуха.

Използвайте доставените с уреда допълнителни ръкохватки.

Загубата на контрол може да доведе до наранявания.

Дръжте електроинструмента за изолираните ръкохватки, когато извършвате работи, при които работният инструмент може да засегне скрити електроинсталационни кабели или собствения си

кабел. Контактът му с тоководещ проводник може да предаде напрежението върху металните му части и да доведе до токов удар.

Допълнителни указания за работа и безопасност

Да се използват предпазни средства. При работа с машината винаги носете предпазни очила. Препоръчват се защитно облекло и прахозащитна маска, защитни ръкавици, здрави и нехлъзгащи се обувки, каска и предпазни средства за слуха.

Прахът, който се образува при работа, често е вреден за здравето и не бива да попада в тялото. Да се носи подходяща прахозащитна маска.

Не е разрешена обработката на материални, които представляват опасност за здравето (напр. азбест).

Ако използваният инструмент блокира, изключете веднага уреда! Не включвайте уреда отново, докато използваният инструмент е блокиран; това би могло да доведе до откат с висока реактивна сила.

Открийте и отстранете причината за блокирането на използвания инструмент имайки в предвид инструкциите за безопасност.

Възможните причини за това могат да бъдат:

- Заклинване в обработваната част
- Пробиване на материала
- Пренатоварване на електрическия инструмент

Не бъркайте в машината, докато тя работи.

Използваният инструмент може да загрее по време на употреба.

ВНИМАНИЕ! Опасност от изгаряния

- при смяна на инструмента
- при оставяне на уреда

Стружки или отчупени парчета да не се отстраняват, докато машина работи.

Свързващият кабел винаги да се държи извън работния обхват на машината. Кабелът да се отвежда от машината винаги назад.

При работа в стени, тавани или подове внимавайте за кабели, газопроводи и водопроводи.

Закрепете обработваната част с устройство за захващане. Незакрепени части за обработка могат да причинят сериозни наранявания и материални щети.

Преди каквито и да е работи по машината извадете щепсела от контакта.

При големи диаметри на пробивания отвор допълнителната ръкохватка трябва да се закрепи перпендикулярно на основната ръкохватка. Виж също в частта със снимки, точка "Завъртане на ръкохватката".

ИЗПОЛЗВАНЕ ПО ПРЕДНАЗНАЧЕНИЕ

K545 S: Перфораторът може универсално да се използва за перфориране и дълбаене в камък и бетон.

K500 S: Чукът може да се използва за дълбаене в камък и бетон.

Този уред може да се използва по предназначение само както е посочено.

СЕ - ДЕКЛАРАЦИЯ ЗА СЪОТВЕТСТВИЕ

Заявявам под собствена отговорност, че описаният в "Технически данни" продукт съответства на всички важни разпоредби на директива 2011/65/EU (RoHS), 2004/108/EO, 2006/42/EO, както и на всички следващи нормативни документи във тази връзка.

EN 60745-1:2009 + A1:2010

EN 60745-2-6:2010

EN 55014-1:2006 + A1:2009 + A2:2011

EN 55014-2:1997 + A1:2001 + A2:2008

EN 61000-3-2:2006 + A1:2009 + A2:2009

EN 61000-3-3:2008

EN 50581:2012

Winnenden, 2014-07-08

Alexander Krug

Alexander Krug
Managing Director



Упълномощен за съставяне на техническата документация

Techtronic Industries GmbH
Max-Eyth-Straße 10
71364 Winnenden
Germany

ЗАЩИТА НА ДВИГАТЕЛЯ В ЗАВИСИМОСТ ОТ НАТОВАРВАНЕТО

Контактите във външните участъци трябва да бъдат оборудвани със защитни прекъсвачи за утечен ток (FI, RCD, PRCD). Това изисква предписанието за инсталиране за електрическата инсталация. Моля спазвайте това при използване на Вашия уред.

Да се свързва само към еднофазен променлив ток и само към мрежово напрежение, посочено върху заводската табелка. Възможно е и свързване към контакт, който не е от тип "шuko", понеже конструкцията е от защитен клас II.

Свързвайте уреда към контакта само в изключено състояние.

Това е уред за професионална употреба, който минимално може да надвиши ориентировъчните стойности за хармонични токови вълни при свързване към обществената електрическа мрежа за ниско напрежение. Затова преди свързване на уреда се консултирайте с компетентното електроразпределително дружество.

ПОДДРЪЖКА

Вентилационните шлицы на машината да се поддържат винаги чисти.

Ако въгленовите четки са износени, те трябва да се сменят и допълнително е необходим преглед в сервис. Това ще удължи експлоатационния срок на машината и гарантира постоянна експлоатационна готовност.

Ако кабелът на захранването е повреден, то занесете го за смяна в сервис, тъй като за това са необходими специални инструменти.

Да се използват само аксесоари на Milwaukee и резервни части на. Елементи, чията подмяна не е описана, да се дадат за подмяна в сервис на Milwaukee (вижте брошурата "Гаранция и адреси на сервиси").

При необходимост можете да поискате за уреда от Вашия сервис или директно от Techtronic Industries GmbH, Max-Eyth-Straße 10, 71364 Winnenden, Germany, чертеж за в случай на експлозия, като посочите типа на машината и номер върху заводската табелка.

СИМВОЛИ



ВНИМАНИЕ! ПРЕДУПРЕЖДЕНИЕ! ОПАСНОСТ



Преди каквито и да е работи по машината извадете щепсела от контакта.



Преди пускане на уреда в действие моля прочетете внимателно инструкцията за използване.



Аксесоари - Не се съдържат в обема на доставката, препоръчвано допълнение от програмата за аксесоари.



Електрическите уреди не трябва да се изхвърлят заедно с битовите отпадъци. Електрическото и електронното оборудване трябва да се събира отделно и да се предават на службите за рециклиране на отпадъците според изискванията за опазване на околната среда. Информирайте се при местните служби или при местните специализирани търговци относно местата за събиране и центровете за рециклиране на отпадъци.



Електроинструмент от защитен клас II. Електроинструмент, при който защитата от електрически удар зависи не само от основната изолация, а и от обстоятелството, че се използват допълнителни защитни мерки като двойна изолация или усилена изолация. Няма приспособение за присъединяване на защитен проводник.



СЕ-знак



Regulatory Compliance Mark (RCM). Продуктът отговаря на приложимите нормативни изисквания.



EurAsian знак за съответствие.

DATE TEHNICE	K500 S	K545 S
Număr producție.....	4421 66 01.....	4422 01 01.....
.....	4421 58 01.....	4421 96 01.....
.....	4326 06 01.....	4324 51 01.....
.....	4077 95 01.....	4260 25 01.....
.....	4078 00 01.....	4260 15 01.....
.....	..000001-999999	..000001-999999
Putere nominală de ieșire.....	1300 W.....	1300 W
Putere de ieșire.....	650 W.....	650 W
Viteza la mers în gol.....	300 min ⁻¹	300 min ⁻¹
Viteza sub sarcina max.....	300 min ⁻¹	300 min ⁻¹
Rata de percuție sub sarcina max.....	2840 min ⁻¹	2840 min ⁻¹
Energia de percuție conform EPTA-Procedura 05/2009.....	8,5 J	8,5 J
Capacitate de perforare în beton.....	45 mm	45 mm
Vârf tunel din beton, cărămizi și calcar.....	65 mm	65 mm
Tăiere în beton, cărămizi și calcar.....	100 mm	100 mm
Diametru gât mandrină.....	66 mm	66 mm
Greutatea conform „EPTA procedure 01/2003”.....	6,3 kg	6,7 kg

Informație privind zgomotul K545 S

Valori măsurate determinate conform EN 60 745.

Nivelul de zgomot evaluat cu A al aparatului este tipic de:

Nivelul presiunii sonore (Nesiguranță K=3dB(A)).....	98,5 dB (A)
Nivelul sunetului (Nesiguranță K=3dB(A)).....	109,5 dB (A)

Purtați căști de protecție

Informație privind zgomotul K500 S

Valoarea reală A a nivelului presiunii sonore a sculei este: 91 dB (A)

Valorile măsurate determinate conform 2005/88/EC la urechea utilizatorului

2005/88/EC: Procedura de evaluare a conformității conform Anexei VI.

Organism înștiințat : Institutul de Certificare și Testare "VDE Testing and Certification Institute",

Merianstr. 28, 63069 Offenbach, Germany

Nivel de sunet măsurat..... 101 dB (A)

Nivel de sunet garantat 104 dB (A)

Purtați căști de protecție

Informații privind vibrațiile

Valorile totale de oscilație (suma vectorială pe trei direcții determinate conform normei EN 60745.

Găurire în beton:

Valoarea emisiei de oscilații a_x.....11,5 m/s²

Nesiguranță K= 1,5 m/s²

Dăltuire

Valoarea emisiei de oscilații a_x.....11,5 m/s²

Nesiguranță K= 1,9 m/s²

AVERTISMENT

Gradul de oscilație indicat în prezentele instrucțiuni a fost măsurat în conformitate cu o procedură de măsurare normată prin norma EN 60745 și poate fi folosit pentru a compara unelte electrice între ele. El se pretează și pentru o evaluare provizorie a solicitării la oscilații.

Gradul de oscilație indicat reprezintă aplicațiile principale ale uneltelor electrice. În cazul în care însă uneltele electrice au fost folosite pentru alte aplicații, ori au fost folosite unelte de muncă diferite ori acestea nu au fost supuse unei suficiente inspecții de întreținere, gradul de oscilație poate fi diferit.

Acest fapt poate duce la o creștere netă a solicitărilor la oscilații dealungul întregii perioade de lucru.

În scopul unei evaluări exacte a solicitării la oscilații, urmează să fie luate în considerație și perioadele de timp în care aparatul a fost oprit ori funcționează dar, în realitate, el nu este folosit în mod practic. Acest fapt poate duce la o reducere netă a solicitărilor la oscilații dealungul întregii perioade de lucru.

Stabilități măsurii de siguranță suplimentare în scopul protecției utilizatorului de efectele oscilațiilor, de exemplu: inspecție de întreținere a uneltelor electrice și a celor de muncă, păstrarea caldă a mâinilor, organizarea proceselor de muncă.

AVERTIZARE! Citiți toate indicațiile de siguranță și toate instrucțiunile. Nerespectarea indicațiilor de avertizare și a instrucțiunilor poate provoca electrocutare, incendii și/sau răni grave.

Păstrați toate indicațiile de avertizare și instrucțiunile în vederea utilizărilor viitoare.

Instrucțiuni de securitate pentru ciocan rotopercurtor

La găurirea cu percuție purtați echipament de protecție pentru auz. Expunerea la zgomot poate duce la pierderea auzului.

Utilizați manerale auxiliare livrate cu scula. Pierderea controlului poate provoca rănirea persoanelor.

Țineți aparatul de mânerale izolate când executați lucrări la care scula tăietoare poate nimeri peste conductori electrici

ascunși sau peste cablul propriu. Intrarea în contact a sculei tăietoare cu o linie electrică prin care circulă curent poate pune sub tensiune și componente metalice ale aparatului și să ducă la electrocutare.

Instrucțiuni suplimentare de siguranță și de lucru

Folosiți echipament de protecție . Purtați întotdeauna ochelari de protecție când lucrați cu mașina . Se recomandă utilizarea hainelor de protecție ca de ex. Măști contra prafului, mănuși de protecție, încălțăminte stabilă nealunecoasă, cască și apărătoare de urechi.

Praful care apare când se lucrează cu această sculă poate fi dăunător sănătății și prin urmare nu trebuie să atingă corpul. Purtați o mască de protecție corespunzătoare împotriva prafului.

Nu se admite prelucrarea unui material care poate pune în pericol sănătatea operatorului (de exemplu azbestul).

La blocarea sculei demontabile vă rugăm să deconectați imediat aparatul! Nu conectați aparatul atâta timp cât scula demontabilă este blocată; dacă o faceți, s-ar putea să se producă un recul cu un cuplu mare de reacție. Găsiți și remediați cauza de blocare a sculei demontabile respectând indicațiile pentru siguranță.

Cauzele posibile pot fi:

- Agățarea în piesa de prelucrat
- Străpungerea materialului de prelucrat
- Suprasolicitarea sculei electrice

Nu atingeți părțile mașinii aflate în rotație.

Scula introdusă poate să devină fierbinte în timpul utilizării.

AVERTISMENT! Pericol de arsuri

- la schimbarea sculei
- la depunerea aparatului

Rumegușul și spanul nu trebuie îndepărtate în timpul funcționării mașinii.

Pastrați înălțimea de alimentare la o distanță de arie de lucru a mașinii. Întotdeauna țineți cablul în spatele dvs.

Când se lucrează pe pereți, tavan sau dușumea, aveți grijă să evitați cablurile electrice și țevile de gaz sau de apă.

Asigurați piesa de prelucrat cu un dispozitiv de fixare. Piese neasigurate pot provoca accidente grave și stricăciuni.

Întotdeauna scoateți stecarul din priză înainte de a efectua intervenții la mașină.

Când se lucrează cu diametre de perforare mari, manerul auxiliar trebuie fixat în unghi drept față de manerul principal (vezi ilustrații, secțiunea "Răscuire mâner")

CONDIȚII DE UTILIZARE SPECIFICATE

K545 S: Ciocanul rotopercurtor poate fi utilizat pentru perforări, dăltuirii în rocă și găuriri în lemn, metal și plastic.

K500 S: Ciocanul poate fi folosit pentru d/ltuit în piatr/ _i beton.

Nu utilizați acest produs în alt mod decât cel stabilit pentru utilizare normală

DECLARAȚIE DE CONFORMITATE

Declaram pe propria răspundere că produsul descris la "Date tehnice" este în concordanță cu toate prevederile legale relevante ale Directivei 2011/65/EU (RoHS), 2004/108/CE, 2006/42/CE și cu următoarele norme armonizate:

EN 60745-1:2009 + A11:2010

EN 60745-2-6:2010

EN 55014-1:2006 + A1:2009 + A2:2011

EN 55014-2:1997 + A1:2001 + A2:2008

EN 61000-3-2:2006 + A1:2009 + A2:2009

EN 61000-3-3:2008

EN 50581:2012

Winnenden, 2014-07-08

Alexander Krug

Alexander Krug
Managing Director



Împuternicit să elaboreze documentația tehnică.

Techtronic Industries GmbH

Max-Eyth-Straße 10

71364 Winnenden

Germany

ALIMENTARE DE LA REȚEA

Aparatele utilizate în multe locații diferite inclusiv în aer liber trebuie conectate printr-un disjunct (FI, RCD, PRCD) care previne comutarea.

Conectați numai la priză de curent alternativ monofazat și numai la tensiunea specificată pe placuța indicatoare. Se permite conectarea și la prize fără împământare dacă modelul se conformează clasei II de securitate.

Asigurați-vă că aparatul este oprit, înainte de conectare .

Acesta este un aparat pentru profesioniști care, dacă este conectat la rețeaua publică de joasă tensiune, poate depăși cu puțin valorile de referință pentru armonicele de curent. Contactați de aceea, înainte de a conecta aparatul la rețeaua publică de joasă tensiune, eventual întreprinderea care vă alimentează cu energie.

INTREȚINERE

Fantele de aerisire ale mașinii trebuie să fie menținute libere tot timpul

Nota importantă: dacă perile de carbon sunt uzate, în plus față de schimbarea perilor scula trebuie trimisă la service-ul post vânzare. Aceasta va asigura o viață lungă de lucru și performanțe de vârf.

Dacă cablul de racordare la rețea este avariata, acesta trebuie înlocuit la un punct de service, deoarece pentru aceasta este nevoie de scule speciale.

Utilizați numai accesorii și piese de schimb Milwaukee. Dacă unele din componente care nu au fost descrise trebuie înlocuite , vă rugăm contactați unul din agenții de service Milwaukee (vezi lista noastră pentru service / garanție)

Dacă este necesară, se poate comanda o imagine descompusă a sculei. Vă rugăm menționați numărul art. Precum și tipul mașinii tipărit pe etichetă și comandați desenul la agenții de service locali sau direct la Techtronic Industries GmbH, Max-Eyth-Straße 10, 71364 Winnenden, Germany.

SIMBOLURI



PERICOL! AVERTIZARE! ATENȚIE!



Întotdeauna scoateți stecarul din priză înainte de a efectua intervenții la mașină.



Vă rugăm citiți cu atenție instrucțiunile înainte de pornirea mașinii



Accesorii - Nu este inclus în echipamentul standard , disponibil ca accesoriu



Aruncarea aparatelor electrice la gunoii menajere este interzisă.

Echipamentele electrice și electronice trebuie colectate separat și predate la un centru de reciclare și eliminare a deșeurilor, pentru a fi eliminate ecologic.

Interesați-vă la autoritățile locale sau la comerțiantul dvs. de specialitate unde se află centre de reciclare și puncte de colectare.



Sculă electrică cu clasa de protecție II. Sculă electrică la care protecția împotriva unei electrocutări nu depinde doar de izolația de bază, ci și de aplicarea de măsuri suplimentare de protecție, cum ar fi o izolație dublă sau o izolație mai puternică. Nu există un dispozitiv pentru conectarea unui conductor de protecție.



Marcaj CE



Regulatory Compliance Mark (RCM). Produsul îndeplinește normele în vigoare.



Marcaj de conformitate EurAsian.

ТЕХНИЧКИ ПОДАТОЦИ	K500 S	K545 S
Производен број.....	4421 66 01.....	4422 01 01.....
.....	4421 58 01.....	4421 96 01.....
.....	4326 06 01.....	4324 51 01.....
.....	4077 95 01.....	4260 25 01.....
.....	4078 00 01.....	4260 15 01.....
.....	..000001-999999	..000001-999999
Определен внес.....	1300 W.....	1300 W
Излез.....	650 W.....	650 W
Брзина без оптоварување.....	300 min ⁻¹	300 min ⁻¹
Брзина при максимално оптоварување.....	300 min ⁻¹	300 min ⁻¹
Јачина на удар максимално под оптоварување.....	2840 min ⁻¹	2840 min ⁻¹
Единствена ударна сила според ЕПТА-процедурата 01/2003.....	8,5 J.....	8,5 J
Капацитет на дупчење во бетон.....	45 mm.....	45 mm
Тунелски бит во бетон, тули и варовни карпи.....	65 mm.....	65 mm
Јазолен сечач во бетон, тули и варовни карпи.....	100 mm.....	100 mm
Дијаметар на вратот на врв.....	66 mm.....	66 mm
Тежина според ЕПТА-процедурата 01/2003.....	6,3 kg.....	6,7 kg

Информации за бучавата КН 5 Е

Измерените вредности се одредени согласно стандардот EN 60745.

A-оценетото ниво на бучава на апаратот типично изнесува:

Ниво на звучен притисок. (Несигурност K=3dB(A)).....	98,5 dB (A)
Ниво на јачина на звук. (Несигурност K=3dB(A)).....	109,5 dB (A)

Носте штитник за уши.

Информации за бучавата K500 S

A-оценетото ниво на бучава на апаратот типично изнесува ... 91 dB (A)

Мерените вредности се одредени согласно стандардот 2005/88/EG за ушите на корисникот.

2005/88/EC: Процедурата за потврдување на сообразноста се повикува на : Annex VI. Notified Body: VDE Testing and Certification Institute, Merianstr. 28, 63069 Offenbach, Germany

Измерено ниво на јачина на звук.....	101 dB (A)
Гарантирано ниво на јачина на звук.....	104 dB (A)

Носте штитник за уши.

Информации за вибрации

Вкупни вибрациски вредности (векторски збир на трите насоки) пресметани согласно EN 60745.

Бушење во бетон со ударна дупчалка:

Вибрациска емисиона вредност a _w	11,5 m/s ²
Несигурност K.....	1,5 m/s ²

Длетување

Вибрациска емисиона вредност a _w	11,5 m/s ²	9 m/s ²
Несигурност K.....	1,9 m/s ²	1,9 m/s ²

ПРЕДУПРЕДУВАЊЕ

Нивото на осцилација наведено во овие инструкции е измерено во согласност со мерните постапки нормирани во EN 60745 и може да биде употребено за меѓусебна споредба на електро-алати. Ова ниво може да се употреби и за привремена проценка на оптоварувањето на осцилацијата.

Наведеното ниво на осцилација ги репрезентира главните намени на електро-алатот. Но, доколку електро-алатот се употребува за други намени, со отстапувачки додатоци или со несоодветно одржување, нивото на осцилација може да отстапи. Тоа може значително да го зголеми оптоварувањето на осцилацијата за време на целиот работен период.

За прецизна проценка на оптоварувањето на осцилацијата предвид треба да бидат земени и времињата, во коишто апаратот е исклучен или работи, но фактички не се употребува. Тоа може значително да го намали оптоварувањето на осцилацијата за време на целиот работен период

Утврдете дополнителни безбедносни мерки за заштита на операторот од влијанието на осцилациите, како на пример: одржување на електро-алатот и на додатоци кон електро-алатот, одржување топли раце, организација на работните процеси.

▲ ВНИМАНИЕ! Прочитајте ги безбедносните напомени и упатства.

Заборавање на почитувањето на безбедносните упатства и инструкции можат да предизвикаат електричен удар, пожар и/или тешки повреди.

Сочувајте ги сите безбедносни упатства и инструкции за во иднина.

▲ Сигурносни напомени за бормашина-чекан

При работата со перкусионата бормашина носете заштита за ушите. Влијанието на бука може да предизвика губење на сетилото за слух.

Користете помошни рачки кои доаѓаат заедно со алатот. Губењето контрола може да предизвика повреда.

Држете го електричниот алат за издадените површини при изведување на операции при кои алатот за сечење можат да дојдат во контакт со скриени жици или сопствениот гајтан. Контакт со жица под напон исто така ќе направи проводници од металните делови и оној кој ракува со алатот ќе доживее струен удар.

Останати безбедносни и работни упатства

Употребувајте заштитна опрема. При работа со машината постојано носете заштитни очила. Се препорачува заштитна облека како: маска за заштита од прашина, заштитни ракавици, цврсти чевли што не се лизгаат, кацига и заштита за уши.

Пршината која се создава при користење на овој алат може да биде штетна по здравјето. Не ја вдишувајте. Носете соодветна заштитна маска.

Не смеат да бидат обработувани материјали кои што можат да го загрозат здравјето (на пр. азбест).

Доколку употребуваното орудие се блокира, молиме веднаш да се исклучи апаратот! Не го вклучувајте апаратот повторно додека употребуваното орудие е блокирано; притоа би можело да дојде до повратен удар со висок момент на реакција. Испитајте и отстранете ја причината за блокирањето на употребеното орудие имајќи ги во предвид напомените за безбедност.

Можни причини би можеле да се:

- Закантување во парчето кое што се обработува
- Кршење поради продирање на материјалот кој што се обработува
- Преоптоварување на електричното орудие

Не фаќајте во машината кога работи.

Употребеното орудие за време на примената може да стане многу жешко.

ПРЕДУПРЕДУВАЊЕ! Опасност од изгоретини

- при менување на орудието
- при ставање на апаратот на страна

Прашната и струготините не смеат да се одстрануваат додека е машината работи.

Чувајте го кабелот за напојување подалеку од работната површина. Секогаш водете го кабелот позади вас.

Кога работите на сидови, таван или под внимавајте да ги избегнете електричните, гасните и водоводни инсталации.

Обезбедете го предметот кој што го обработувате со направа за напон. Необезбедени парчиња кои што се обработуваат можат да предизвикаат тешки повреди и оштетувања.

Секогаш кога преземате активности врз машината исклучете го кабелот од струјата.

Кога работите со големи дијаметри на бушотина, помошната рачка мора да биде врзана под вистински агол со главната рачка (видете илустрации, деп., Вртење на рачката,.).

СПЕЦИФИЦИРАНИ УСЛОВИ НА УПОТРЕБА

K545 S: Пневматскиот чекан може да биде употребуван универзално за дупчење, клесање во камен и бетон.

K500 S: Чеканот може да се користи за клесање и демолирање.

Не го користете овој производ на било кој друг начин освен пропишаниот за нормална употреба.

ЕУ-ДЕКЛАРАЦИЈА ЗА СООБРАЗНОСТ

Во своја сопствена одговорност изјавуваме дека под "Технички податоци" опишаниот производ е во склад со сите релевантни прописи од регулативата 2011/65/EU (RoHS), 2004/108/EC, 2006/42/EC и следните хармонизирачки нормативни документи:

EN 60745-1:2009 + A11:2010

EN 60745-2-6:2010

EN 55014-1:2006 + A1:2009 + A2:2011

EN 55014-2:1997 + A1:2001 + A2:2008

EN 61000-3-2:2006 + A1:2009 + A2:2009

EN 61000-3-3:2008

EN 50581:2012

Winnenden, 2014-07-08

Alexander Krug

Alexander Krug
Managing Director



Ополномоштен за составување на техничката документација.

Techtronic Industries GmbH

Max-Eyth-Straße 10

71364 Winnenden

Germany

ГЛАВНИ ВРСКИ

Уредите кои се користат на многу различни локации вклучувајќи и отворен простор мора да бидат поврзани за струја преку направата за поврзување (FI, RCD, PRCD).

Да се спои само за една фаза AC коло и само на главниот напон наведен на плочката. Можно е исто така и поврзување на приклучок без заземјување доколку изведбата соодветствува на безбедност од 2 класа.

Бидете сигурни дека машината е исклучена пред да ја вклучите во струја.

Овој апарат претставува апарат за професионална употреба, кој може незначително да ги пречекори ориентационите вредности за струјни

горни бранови при приклучување на јавната мрежа за низок напон. Затоа пред приклучување на апаратот на јавна мрежа за низок напон по потреба контактирајте со компанијата што е одговорна за вашето напојување со електрична енергија.

ОДРЖУВАЊЕ

Вентилациските отвори на машината мора да бидат комплетно отворени постојано.

Важна забелешка! Доколку карбонските четкички се истрошени, со цел истите да бидат заменети алатот треба да биде пратен во постпродажниот центар. Ова ќе обезбеди долг употребен век и највисоки перформанси.

Ако приклучниот мрежен вод е оштетен, тој мора да биде заменет од служба за клиенти, бидејќи за тоа е потребен посебен алат.

Користете само Milwaukee додатоци и резервни делови. Доколку некои од компонентите кои не се опишани треба да бидат заменети, Ве молиме контактирајте ги сервисните агенти на Milwaukee (консултирајте ја листата на адреси).

Доколку е потребно можно е да биде набавен детален приказ на алатот. Ве молиме наведете го бројот на артиклот како и типот на машина кој е отпечатен на етикетата и порачајте ја скицата кај локалниот застапник или директно кај: Techtronic Industries GmbH, Max-Eyth-Straße 10, 71364 Winnenden, Germany.

СИМБОЛИ



ВНИМАНИЕ! ПРЕДУПРЕДУВАЊЕ! ОПАСНОСТ!



Секогаш кога преземате активности врз машината исклучете го кабелот од струјата.



Ве молиме пред да ја стартувате машината обрнете внимание на упатствата за употреба.



Дополнителна опрема - Не е вклучена во стандардната, а достапна е како додаток.



Електричните апарати не смеат да се фрлат заедно со домашниот отпад. Електричните и електронските апарати треба да се собираат одделно и да се однесат во соодветниот погон заради нивно фрлање во склад со начелата за заштита на околината. Информирајте се кај Вашите местни служби или кај специјализираниот трговски претставник, каде има такви погони за рециклажа и собирни станици.



Електрично орудие од заштитната категорија II. Електрично орудие чијашто заштита од електричен удар не зависи само од основната изолација туку и од тоа дали ќе се применат дополнителните заштитни мерки како што се двоstrukтните изолации или појачаната изолација. Не постои никаква направа за приклучување на некој заштитен вод.



CE-знак



Regulatory Compliance Mark (RCM). Производитот ги исполнува важечките прописи.



EurAsian (Евроазиски) знак на конформитет.

技术数据	K500 S	K545 S
生产号.....	4421 66 01.....	4422 01 01.....
.....	4421 58 01.....	4421 96 01.....
.....	4326 06 01.....	4324 51 01.....
.....	4077 95 01.....	4260 25 01.....
.....	4078 00 01.....	4260 15 01.....
.....	..000001-999999	..000001-999999
输入功率.....	1300 W.....	1300 W
输出功率.....	650 W.....	650 W
无负载转速.....	300 min ⁻¹
最高负载转速.....	300 min ⁻¹
负载撞击次数最大.....	2840 min ⁻¹	2840 min ⁻¹
单一冲击强度符合 EPTA-Procedure 05/2009 的规定.....	8,5 J.....	8,5 J
钻孔直径在混凝土.....	45 mm
隧道钻头在混凝土、砖块和石灰砂石.....	65 mm
空心钻头在混凝土、砖块和石灰砂石.....	100 mm
夹头颈直径.....	66 mm.....	66 mm
重量符合EPTA – Procedure 01 / 2003.....	6,3 kg.....	6,7 kg

噪音信息 K545 S
本测量值符合 EN 60 745 条文的规定。
器械的标准A-值噪音级为：
音压值 (K=-不可靠性=3dB(A))..... 98,5 dB (A)
音量值 (K=-不可靠性=3dB(A))..... 109,5 dB (A)
请戴上护耳罩！

噪音信息 K500 S
本机器的音压值通常为..... 91 dB (A)
本值是在使用者耳旁测得，并符合 2000 / 14 / EC 条文的规定。
2000 / 14 / EC: 测量过程参考附录 VI。
有关的检验单位：
-VDE（德国电气协会）的检验兼证书签发中心。
地址：Merianstr. 28, 63069 Offenbach, 德国
测出的音量值..... 101 dB (A)
保证的音量值..... 104 dB (A)
请戴上护耳罩！

振动信息
依欧盟EN 60745 标准确定的振荡总值（三方向矢量和）。
钻孔 混凝土:
ah-振荡发射值.....11,5 m/s²
K=-不可靠性..... 1,5 m/s²
凿控
ah-振荡发射值.....11,5 m/s²..... 9 m/s²
K=-不可靠性..... 1,9 m/s²..... 1,9 m/s²

注意
本规程列出的依欧盟EN 60745 标准一项标准测量方法测量的振荡级也可用于电动工具比较并适合于临时振荡负荷估计。
该振荡级代表电动工具的主要应用。电动工具的其他应用，不正确的工作工具或欠缺维护可造成振荡级偏差。此可明确提高总工作期间的振荡负荷。

正确地估计一定工作期间的振荡负荷也要考虑到工具关闭或接通而不使用的期间。此可明确减少总工作期间的振荡负荷。
为提高操作人员对振荡作用的保护得规定补充安全措施：电动工具及工作工具的维护，温手，工作过程组织等。

警告！ 务必阅读所有安全提示和指示。如未确实 遵循警告提示和指示，可能导致电击、火灾並且/ 或其他的严重伤害。
妥善保存所有的警告提示和指示，以便日后查阅。

锤钻机的安全指示

使用震动钻功能时，请戴上护耳罩。所发生的噪声会导致听力损失。

使用包含在供货范围中的辅助把手。如果工作时无法正确操控机器，容易造成严重的伤害。

切割工具会碰到隐藏电线或自己的电缆时，得将器械握住于其绝缘把手表面。切割工具接触到通电电线可将电压加到器械的金属部分并造成电击。

其它安全和工作指示

使用防护装备。操作机器时务必佩戴护目镜。最好也使用下列的防护装备，例如防尘面具、护手套、坚固而且止滑的工作鞋、安全头盔和耳罩等。

工作尘往往有害健康，不可以让工作尘接触身体。工作时请佩戴合适的防尘面具。

严禁加工会导致健康危险的材料（石棉等）。

施工工具被卡住时，请及时关闭机器！为避免高反作用力矩，施工工具被卡住时不要重新接通机器。应按照安全提示查找并排除施工工具卡住的原因。

有下列可能原因：
• 工具斜卡在被加工工件中
• 要加工材料的破裂
• 电动工具超载

手指不要接近运行中的机器。

进行工作时，被操作施工工具会发热。

警告！烧伤危险

- 更换工具时
- 放下机器时

如果机器仍在运转，切勿清除其上的木屑或金属碎片。

电源线必须远离机器的作业范围。操作机器时电线必须摆在机身后端。

在墙壁、天花板或地板工作时，必须特别注意被埋的电线、瓦斯管和水管。

应通过夹紧装置锁定工件。未锁定工件会导致重伤和损坏。

在机器上进行任何修护工作之前，务必从插座上拔出插头。

钻大直径的孔时，必须把辅助把手固定在主握柄的右侧，辅助把手和主握柄之间的夹角要成90度。详细资料可参考“转动辅助把手”上的图解。

正确地使用机器

K545 S: 本电动锤钻功能广泛，包括锤钻石材 / 混凝土以及凿穿石材 / 混凝土。

K500 S: 可以使用本电锤在石材和混凝土上进行凿击作业。
请依照本说明书的指示使用此机器。

欧洲安全规定说明

在我方的全权责任下我方在此声明，“技术数据”下所描述的产品符合于2011/65/EU (RoHS)、2004/108/EC、2006/42/EC等欧共体准则的所有有关规定和下列标准和标准化文件：

- EN 60745-1:2009 + A11:2010
- EN 60745-2-6:2010
- EN 55014-1:2006 + A1:2009 + A2:2011
- EN 55014-2:1997 + A1:2001 + A2:2008
- EN 61000-3-2:2006 + A1:2009 + A2:2009
- EN 61000-3-3:2008
- EN 50581:2012

Winnenden, 2014-07-08

Alexander Krug

Alexander Krug
Managing Director



受权编纂技术资料。

Techtronic Industries GmbH
Max-Eyth-Straße 10
71364 Winnenden
Germany

电源插头

户外插座必须连接剩余电流防护开关。这是使用电器用品的基本规定。使用本公司机器时，务必遵守这项规定（FI, RCD, PRCD）。

只能连接单相交流电，只能连接机器铭牌上规定的电压。本机器也可以连接在没有接地装置的插座上，因为本机器的结构符合第II级绝缘。

确定开关已经关闭了，才可以把插头插入插座。

本机器适用于专业使用并被连接到公共低电压电网时会稍微超过电谐波的标准值。由此，将机器连接到公共低电压电网前，有必要时请联络您主管的供电企业。

维修

机器的通气孔必须随时保持清洁。

如果碳刷耗尽了，除了更换碳刷之外，最好也把机器交给顾客服务中心进行全面检修。这样可以提高机器的使用寿命，并且可以保证随时能够使用机器。

电源线故障时，由于需要专用工具，必须交给顾客服务中心更换。

只能使用 Milwaukee 的配件和零件。缺少检修说明的机件如果损坏了，必须交给 Milwaukee 的顾客服务中心更换（参考手册“保证书 / 顾客服务中心地址”）。

如果需要机器的分解图，可以向您的顾客服务中心或直接向 Techtronic Industries GmbH, Max-Eyth-Straße 10, 71364 Winnenden, Germany。案件时必须提供以下资料：机型和机器铭牌上的号码。

符号



请注意！警告！危险！



在机器上进行任何修护工作之前，务必从插座上拔出插头。



使用本机器之前请详细阅读使用说明书。



配件 - 不包含在供货范围中。请另外从配件目录选购。



电气工具必须与生活垃圾分开处理。
电气机器和电子机器必须单独分开收集并送到回收站以确保符合环境保护的处理。
有关回收站和收集站的细节，请与主管当局或您的专业经销商联络。



保护等级II工具。
具有不只依赖于基本绝缘，但依赖于双重或强化绝缘等保护措施电击保护的电动工具。
没有连接保护线的装置。



欧洲共同体标志



Regulatory Compliance Mark (RCM)。产品符合有效的准则。



欧亚合格性标志。

Copyright 2014

Techtronic Industries GmbH
Max-Eyth-Straße 10 71364 Winnenden
Germany

+49 (0) 7195-12-0



(07.14)

4931 4146 13