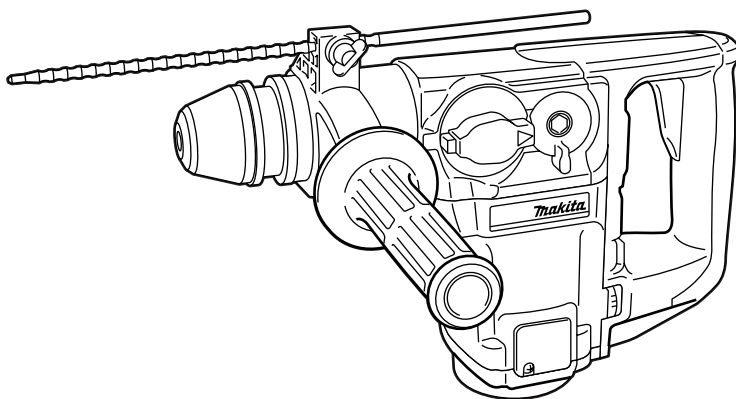
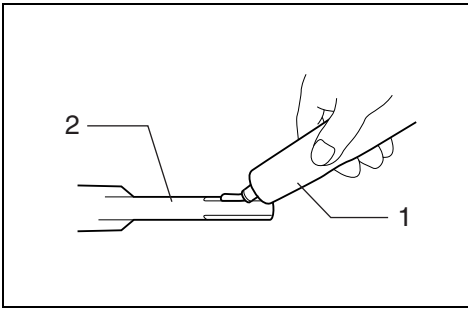


Makita®

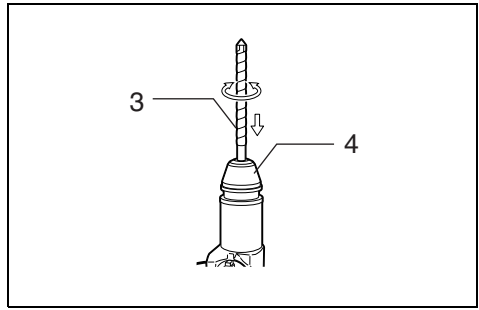
GB	Rotary Hammer	Instruction Manual
F	Perforateur	Manuel d'instructions
D	Bohrhammer	Betriebsanleitung
I	Martello rotativo	Istruzioni per l'uso
NL	Boorhamer	Gebruiksaanwijzing
E	Martillo rotativo	Manual de instrucciones
P	Martelo misto	Manual de instruções
DK	Borehammer	Brugsanvisning
S	Borrhammare	Bruksanvisning
N	Borhammer	Bruksanvisning
SF	Poravasara	Käyttöohje
GR	Περιστροφικό σφυρί	Οδηγίες χρήσεως

HR3000C

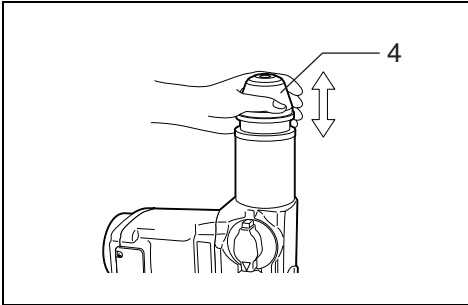




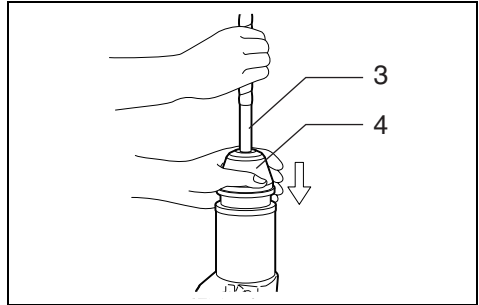
1



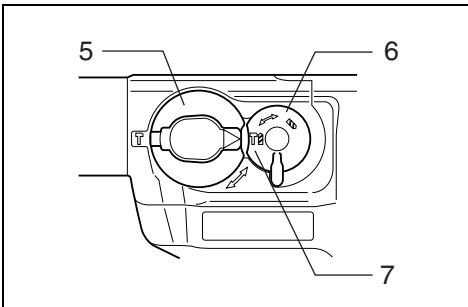
2



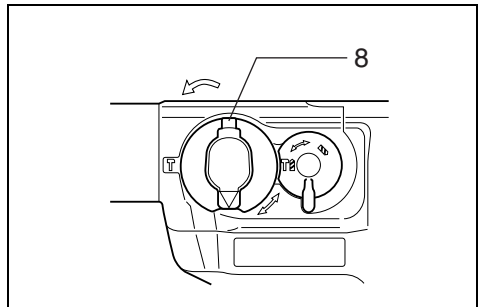
3



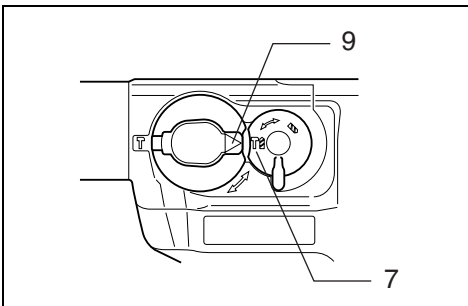
4



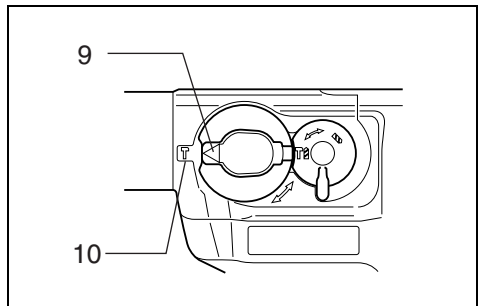
5



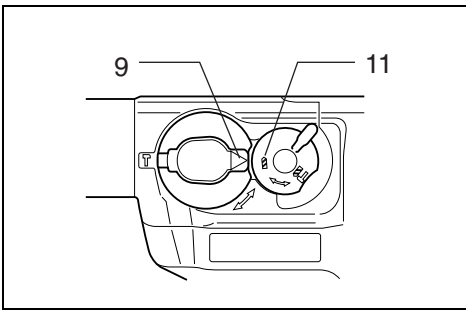
6



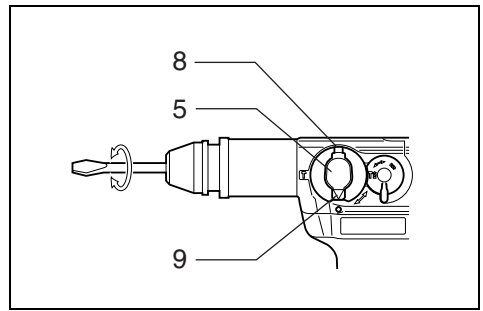
7



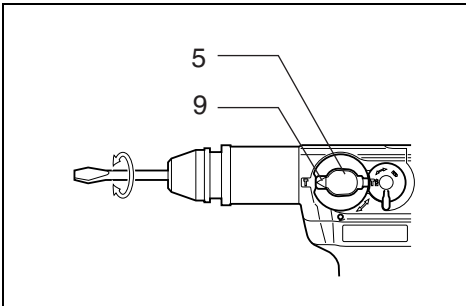
8



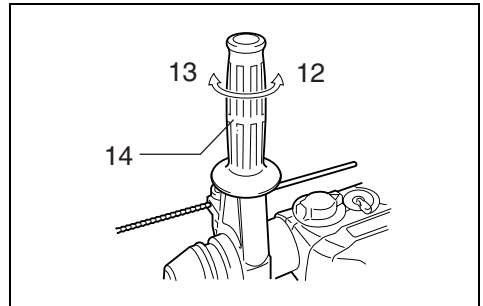
9



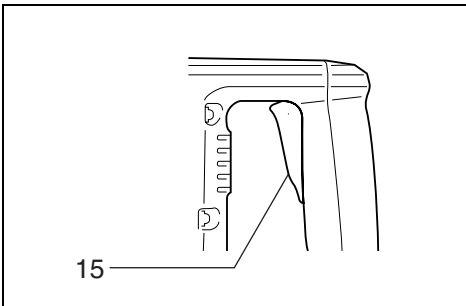
10



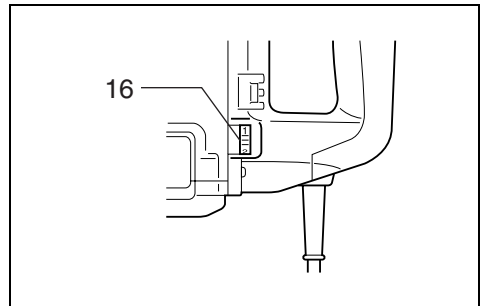
11



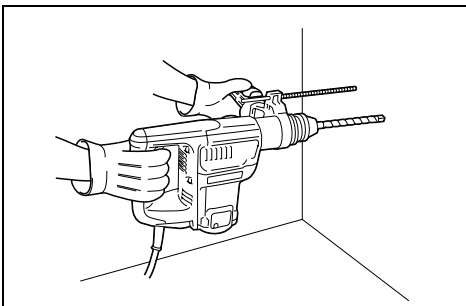
12



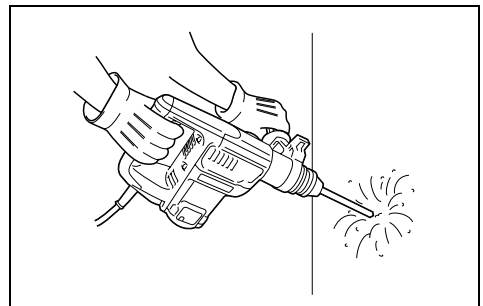
13



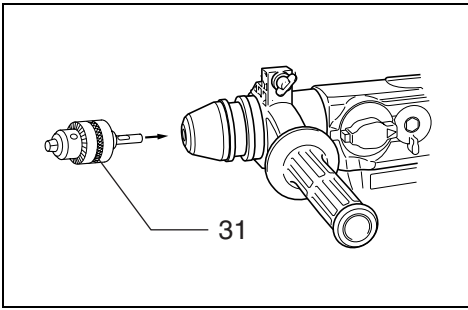
14



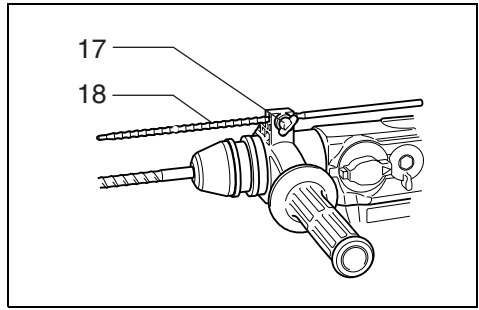
15



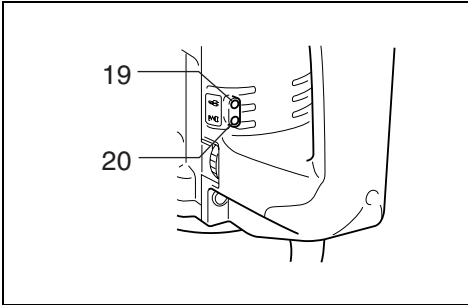
16



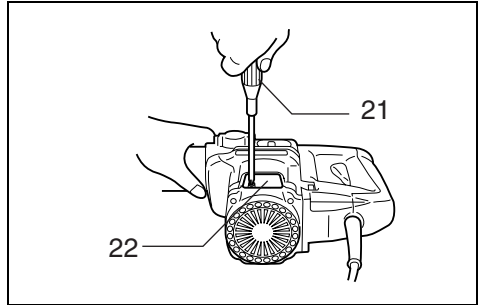
17



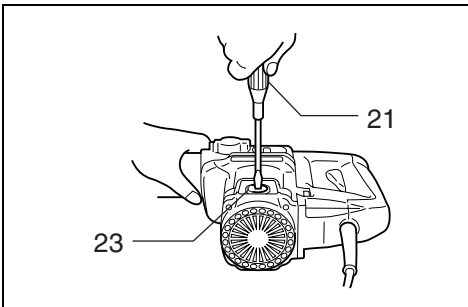
18



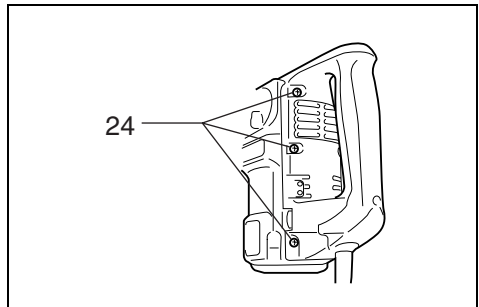
19



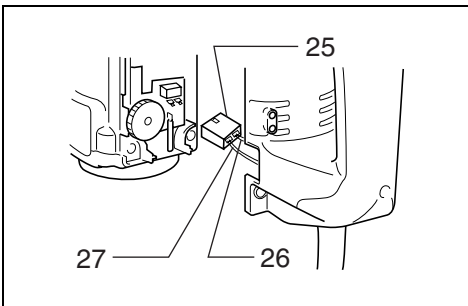
20



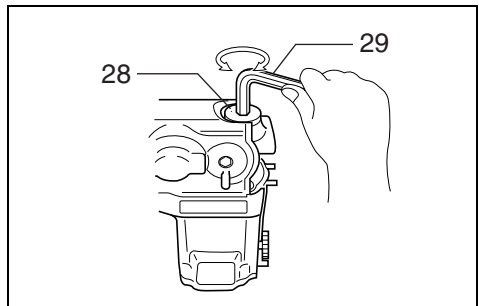
21



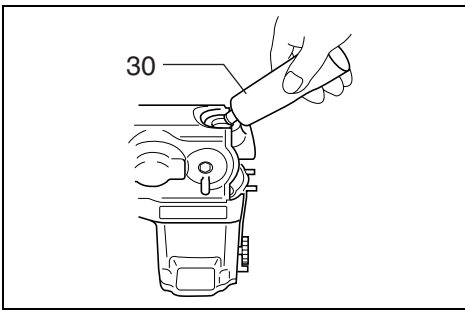
22



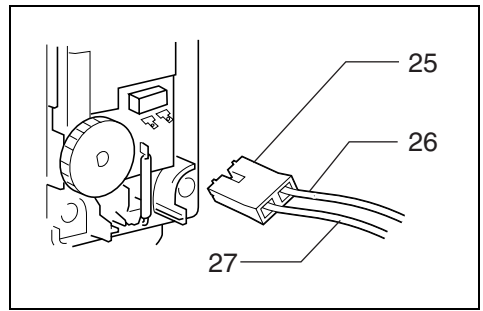
23



24



25



26

Symbols

The followings show the symbols used for the tool. Be sure that you understand their meaning before use.

Symboles

Nous donnons ci-dessous les symboles utilisés pour l'outil. Assurez-vous que vous en avez bien compris la signification avant d'utiliser l'outil.

Symbole

Die folgenden Symbole werden für die Maschine verwendet. Machen Sie sich vor der Benutzung unbedingt mit ihrer Bedeutung vertraut.

Simboli

Per questo utensile vengono usati i simboli seguenti. Bisogna capire il loro significato prima di usare l'utensile.

Symboolen

Voor dit gereedschap worden de volgende symbolen gebruikt. Zorg ervoor dat u de betekenis van deze symbolen begrijpt alvorens het gereedschap te gebruiken.

Símbolos

A continuación se muestran los símbolos utilizados con esta herramienta. Asegúrese de que entienda su significado antes de usarla.

Símbolos

O seguinte mostra os símbolos utilizados para a ferramenta. Certifique-se de que compreende o seu significado antes da utilização.

Symboler

Nedenstående symboler er anvendt i forbindelse med denne maskine. Vær sikker på, at De har forstået symbolernes betydning, før maskinen anvendes.

Symboler

Det följande visar de symboler som används för den här maskinen. Se noga till att du förstår deras innebörd innan maskinen används.

Symbolene

Følgende viser de symbolene som brukes for maskinen. Det er viktig å forstå betydningen av disse før maskinen tas i bruk.

Symbolit

Alla on esitetty koneessa käytetyt symbolit. Opettele näiden merkitys, ennen kuin käytät konetta.

Σύμβολα

Ta ακόλουθα δείχνουν τα σύμβολα που χρησιμοποιούνται για το μηχάνημα. Βεβαιωθείτε ότι καταλαβαίνετε τη σημασία τους πριν από τη χρήση.



- Read instruction manual.
- Lire le mode d'emploi.
- Bitte Betriebsanleitung lesen.
- Leggete il manuale di istruzioni.
- Lees de gebruiksaanwijzing.
- Lea el manual de instrucciones.

- Leia o manual de instruções.
- Læs brugsanvisningen.
- Läs bruksanvisningen.
- Les bruksanvisningen.
- Katso käyttöohjeita.
- Διαβάστε τις οδηγίες χρήσης.



- DOUBLE INSULATION
- DOUBLE ISOLATION
- DOPPELT SCHUTZISOLIERT
- DOPPIO ISOLAMENTO
- DUBBELE ISOLATIE
- DOBLE AISLAMIENTO

- DUPLO ISOLAMENTO
- DOBBELT ISOLATION
- DUBBEL ISOLERING
- DOBBEL ISOLERING
- KAKSINKERTAINEN ERISTYS
- ΔΙΠΛΗ ΜΟΝΩΣΗ

Explanation of general view

1 Bit grease	11 "Rotation only" symbol	21 Screwdriver
2 Bit shank	12 Loosen	22 Brush holder cover
3 Bit	13 Tighten	23 Brush holder cap
4 Chuck cover	14 Side grip	24 Screws
5 Change lever	15 Switch trigger	25 Connector
6 Shift lever	16 Adjusting dial	26 Black
7 "Rotation with hammering" symbol	17 Clamp screw	27 White
8 Lock button	18 Depth gauge	28 Crank cap
9 Pointer	19 Power-ON indicator lamp (green)	29 Hex wrench
10 "Hammering only" symbol	20 Service indicator lamp (red)	30 Hammer grease
		31 Drill chuck

SPECIFICATIONS

Model	HR3000C
Capacities	
Tungsten-carbide tipped bit	30 mm
Core bit	90 mm
Wood	30 mm
Steel	13 mm
No load speed (min ⁻¹)	360–720
Blows per minute	1,650–3,300
Overall length	391 mm
Net weight	4.8 kg

- Due to our continuing program of research and development, the specifications herein are subject to change without notice.
- Note: Specifications may differ from country to country.

Power supply

The tool should be connected only to a power supply of the same voltage as indicated on the nameplate, and can only be operated on single-phase AC supply. They are double-insulated in accordance with European Standard and can, therefore, also be used from sockets without earth wire.

Safety hints

For your own safety, please refer to enclosed the safety instructions.

ADDITIONAL SAFETY RULES

1. **Wear a hard hat (safety helmet), safety glasses and/or face shield. It is also highly recommended that you wear a dust mask, ear protectors and thickly padded gloves.**
2. **Be sure the bit is secured in place before operation.**
3. **Under normal operation, the tool is designed to produce vibration. The screws can come loose easily, causing a breakdown or accident. Check tightness of screws carefully before operation.**
4. **In cold weather or when the tool has not been used for a long time, let the tool warm up for several minutes by operating it under no load. This will loosen up the lubrication. Without proper warm-up, hammering operation is difficult.**
5. **Always be sure you have a firm footing. Be sure no one is below when using the tool in high locations.**
6. **Hold the tool firmly with both hands.**
7. **Keep hands away from moving parts.**
8. **Do not leave the tool running. Operate the tool only when hand-held.**

9. **Do not point the tool at any one in the area when operating. The bit could fly out and injure someone seriously.**
10. **When drilling or chipping into walls, floors or wherever "live" electrical wires may be encountered, DO NOT TOUCH ANY METAL PARTS OF THE TOOL! Hold the tool by the insulated grasping surfaces to prevent electric shock if you drill or chip into a "live" wire.**
11. **Do not touch the bit or parts close to the bit immediately after operation; they may be extremely hot and could burn your skin.**

SAVE THESE INSTRUCTIONS.

OPERATING INSTRUCTIONS

Installing or removing bit

Important:

Always be sure that the tool is switched off and unplugged before installing or removing the bit.

Clean the bit shank and apply the bit grease provided to it before installing the bit. (Fig. 1)


Insert the bit into the tool. Turn the bit and push it in until it engages. (Fig. 2)

If the bit cannot be pushed in, remove the bit. Pull the chuck cover down a couple of times. Then insert the bit again. Turn the bit and push it in until it engages. (Fig. 3) After installing, always make sure that the bit is securely held in place by trying to pull it out. To remove the bit, pull the chuck cover down all the way and pull the bit out. (Fig. 4)

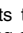
Selecting action mode

When selecting an action mode, first set the change lever and the shift lever to the position shown in Fig. 5. Then proceed as follows.


Rotation with hammering (Fig. 6 & 7)

For drilling in concrete, masonry, etc., depress the lock button and rotate the change lever so that the pointer points to the  symbol. Use a tungsten-carbide tipped bit.

Hammering only (Fig. 6 & 8)

For chipping, scaling or demolition operations, depress the lock button and rotate the change lever so that the pointer points to the  symbol. Use a bull point, cold chisel, scaling chisel, etc.

Rotation only (Fig. 6 & 9)

For drilling in wood, metal or plastic materials, rotate the shift lever so that the  symbol is aligned with the pointer on the change lever. Use a twist drill bit or wood bit.

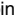
CAUTION:


- Do not rotate the change lever and/or the shift lever when the tool is running under load. The tool will be damaged.
- To avoid rapid wear on the mode change mechanism, be sure that the change lever and/or the shift lever is always positively located in one of the three action mode positions.
- The action mode cannot be changed directly from “hammering only” to “rotation only” or from “rotation only” to “hammering only”. First set the change lever and the shift lever to “rotation with hammering” mode position shown in Fig. 5. Then set them to the position for “hammering only” or “rotation only”.

Bit angle (when chipping, scaling or demolishing)

Important:

Always be sure that the tool is switched off and unplugged before changing the bit angle.

The bit can be secured at 12 different angles. To change the bit angle, depress the lock button and rotate the change lever so that the pointer points to the  symbol. Turn the bit to the desired angle. (Fig. 10)

Depress the lock button and rotate the change lever so that the pointer points to the  symbol.

Then make sure that the bit is securely held in place by turning it slightly. (Fig. 11)

Side grip (Fig. 12)

CAUTION:

- Always use the side grip to ensure operating safety when drilling in concrete, masonry, etc.
- When the bit begins to break through concrete or if the bit strikes reinforcing rods embedded in concrete, the tool may react dangerously. Maintain good balance and safe footing while holding the tool firmly with both hands to prevent dangerous reaction.

The side grip swings around to either side, allowing easy handling of the tool in any position. Loosen the side grip by turning it counterclockwise, swing it to the desired position and then tighten it by turning clockwise.

Switch action (Fig. 13)

CAUTION:

Before plugging in the tool, always check to see that the switch trigger actuates properly and returns to the “OFF” position when released.

To start the tool, simply pull the trigger. Release the trigger to stop.

Speed change (Fig. 14)


The revolutions and blows per minute can be adjusted just by turning the adjusting dial. The dial is marked 1 (lowest speed) to 6 (full speed). Refer to the table below for the relationship between the number settings on the adjusting dial and the revolutions/blows per minute.

Number on adjusting dial	Revolutions per minute	Blows per minute
6	720	3,300
5	690	3,150
4	590	2,700
3	490	2,250
2	390	1,800
1	360	1,650

Hammer drilling operation (Fig. 15)

CAUTION:

When the bit begins to break through concrete or if the bit strikes reinforcing rods embedded in concrete, the tool may react dangerously. Maintain good balance and safe footing while holding the tool firmly with both hands to prevent dangerous reaction.

Set the change lever and the shift lever to the  symbol. Position the bit at the location for the hole, then pull the trigger. Do not force the tool. Light pressure gives best results. Keep the tool in position and prevent it from slipping away from the hole.

Do not apply more pressure when the hole becomes clogged with chips or particles. Instead, run the tool at an idle, then remove from the hole. By repeating this several times, the hole will be cleaned out.

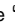
Torque limiter

The torque limiter will actuate when a certain torque level is reached. The motor will disengage from the output shaft. When this happens, the bit will stop turning.

CAUTION:


As soon as the torque limiter actuates, switch off the tool immediately. This will help prevent premature wear of the tool.

Chipping/Scaling/Demolition (Fig. 16)

Set the change lever and the shift lever to the  symbol. Hold the tool firmly with both hands. Turn the tool on and apply slight pressure on the tool so that the tool will not bounce around, uncontrolled. Pressing very hard on the tool will not increase the efficiency.

Drilling operation (Fig. 17)

Use the optional drill chuck assembly. When installing it, refer to “Installing or removing drill bit” described on the previous page. You can drill up to 13mm diameter in metal and up to 30 mm diameter in wood.

Set the change lever and the shift lever to the  symbol.

• Drilling in wood

When drilling in wood, best results are obtained with wood drills equipped with a guide screw. The guide screw makes drilling easier by pulling the bit into the workpiece.

• Drilling in metal

To prevent the bit from slipping when starting a hole, make an indentation with a centerpunch and hammer at the point to be drilled. Place the point of the bit in the indentation and start drilling.

Use a cutting lubricant when drilling metals. The exception is brass which should be drilled dry.

CAUTION:

- Pressing excessively on the tool will not speed up the drilling. In fact, this excessive pressure will only serve to damage the tip of your bit, decrease the tool performance and shorten the service life of the tool.
- Never use “rotation with hammering” when the drill chuck assembly is installed on the tool. The drill chuck assembly may be damaged.

Depth gauge (Fig. 18)

The depth gauge is convenient for drilling holes of uniform depth. Loosen the clamp screw and adjust the depth gauge to the desired depth. After adjusting, tighten the clamp screw firmly.

NOTE:

The depth gauge cannot be used at the position where the depth gauge strikes against the gear housing/motor housing.

Indicator lamp (Fig. 19)

The green power-ON indicator lamp lights up when the tool is switched ON. If the indicator lamp is lit but the tool does not start, the carbon brushes may be worn out, or the electric circuit or the motor may be defective. If the indicator lamp does not light up and the tool does not start, the ON/OFF switch or the mains cord may be defective.

The red service indicator lamp lights up when the carbon brushes are nearly worn out to indicate that the tool needs servicing. After approx. 8 hours of use, the motor will automatically be shut off.

MAINTENANCE

CAUTION:

Always be sure that the tool is switched off and unplugged before carrying out any work on the tool.

Replacement of carbon brushes (Fig. 20 & 21)

Whenever carbon brushes must be replaced, they cut out the tool automatically. When this occurs, remove the screws which secure the brush holder cover. Remove the brush holder cover and brush holder cap. Then replace both carbon brushes at the same time. Use only identical carbon brushes.

Lubrication

This tool requires no hourly or daily lubrication because it has a grease-packed lubrication system. Lubricate the tool every time the carbon brushes are replaced.

Run the tool for several minutes to warm it up. Switch off and unplug the tool.

Loosen the six screws and remove the handle. Note that the top screws are different from other screws. **(Fig. 22)** Disconnect the connector by pulling it. **(Fig. 23)**

Remove the crank cap using a hex wrench. **(Fig. 24)**

Rest the tool on the table with the bit end pointing upwards. This will allow the old grease to collect inside the crank housing. Wipe out the old grease inside and replace with a fresh grease (30 g). Use only Makita genuine hammer grease (optional accessory). Filling with more than specified amount of grease (approx. 30 g) can cause faulty hammering action or tool failure. Fill only with the specified amount of grease. Reinstall the crank cap and tighten with the hex wrench. **(Fig. 25)**

Connect the connector and reinstall the handle. **(Fig. 26)**

CAUTION:

- Be careful not to damage the terminals or lead wires especially when wiping out the old grease or installing the handle.
- Do not tighten the crank cap excessively. It is made of resin and is subject to breakage.

To maintain product safety and reliability, repairs, maintenance or adjustment should be carried out by a Makita Authorized Service Center.

Descriptif

1	Graisse rose	12	Desserrer	22	Plaque de protection
2	Queue du foret	13	Serrer	23	Bouchon du porte-charbon
3	Foret	14	Poignée latérale pour le perçage	24	Vis
4	Cache du porte-outil	15	Gâchette	25	Connecteur
5	Sélecteur de mode	16	Molette de réglage	26	Noire
6	Levier de changement	17	Ecrou à oreilles	27	Blanche
7	Symbole "Rotation/percussion"	18	Tige de profondeur	28	Couvercle du carter
8	Bouton de verrouillage	19	Voyant de mise sous tension (ON) (vert)	29	Clé BTR
9	Index	20	Voyant de service (rouge)	30	Lubrifiant spécial
10	Symbole "Percussion seulement"	21	Tournevis	31	Mandrin
11	Symbole "Rotation seulement"				

SPECIFICATIONS

Modèle	HR3000C
Capacités	
Foret au carbure de tungstène	30 mm
Trépan	90 mm
Bois	30 mm
Acier	13 mm
Vitesse à vide (t/mn)	360 – 720
Cadence de frappe/mn	1 650 – 3 300
Longueur hors tout	391 mm
Poids net	4,8 kg

- Etant donné l'évolution constante de notre programme de recherche et de développement, les spécifications contenues dans ce manuel sont sujettes à modification sans préavis.
- Note : Les spécifications peuvent varier suivant les pays.

Alimentation

L'outil ne devra être raccordé qu'à une alimentation de la même tension que celle qui figure sur la plaque signalétique, et il ne pourra fonctionner que sur un courant secteur monophasé. Réalisé avec une double isolation, il est conforme à la réglementation européenne et peut de ce fait être alimenté sans mise à la terre.

Consignes de sécurité

Pour votre propre sécurité, reportez-vous aux consignes de sécurité qui accompagnent l'outil.

CONSIGNES DE SECURITE SUPPLEMENTAIRES

1. **Portez un couvre-chef rigide (casque de sécurité), des lunettes de sécurité et/ou un masque. Il est également vivement recommandé de porter un masque anti-poussière, des protections antibruit et des gants rembourrés épais.**
2. **Assurez-vous que le foret est correctement engagé et verrouillé avant de commencer à travailler.**
3. **L'outil est conçu pour produire des vibrations lorsqu'il fonctionne normalement. Les vis peuvent donc se desserrer, ce qui peut provoquer une panne ou un accident. En conséquence, vérifiez toujours qu'elles sont serrées à fond avant de travailler.**
4. **Par temps froid ou si l'outil a eu le temps de refroidir, laissez-le tourner à vide pendant quelques minutes pour lui permettre de chauffer et**

faciliter ainsi la lubrification. Cette précaution rendra le travail beaucoup plus aisé.

5. **Veillez toujours à avoir un bon équilibre. Vérifiez qu'il n'y a personne en-dessous de vous si vous travaillez en hauteur.**
6. **Tenez l'outil fermement des deux mains.**
7. **N'approchez pas les mains des pièces en mouvement.**
8. **Ne vous éloignez pas de l'outil lorsqu'il tourne. Ne le faites tourner que lorsque vous l'avez en main.**
9. **Quand vous travaillez, ne dirigez jamais l'outil vers quelqu'un. Le foret pourrait se détacher et provoquer de graves blessures.**
10. **Quand vous forez ou taillez dans un mur, un sol ou tout autre endroit où il risque d'y avoir un fil électrique sous tension, NE TOUCHEZ AUCUNE DES PIECES METALLIQUES DE L'OUTIL ! Tenez l'outil uniquement par ses poignées isolées pour éviter tout choc électrique au cas où l'outil toucherait un fil sous tension.**
11. **Ne touchez ni le foret ni le porte-foret une fois le perçage terminé : ils pourraient être extrêmement chauds et vous brûler.**

CONSERVEZ CES INSTRUCTIONS.

MODE D'EMPLOI

Pose et dépose du foret

Important :

Pour cette opération, le perforateur doit être à l'arrêt et débranché.

Nettoyez la queue du foret et graissez la (avec la graisse rose fournie) avant d'engager le foret. (Fig. 1)

Enfoncez le foret dans l'outil. Tournez le foret et enfoncez-le jusqu'au déclic. (Fig. 2)

Si vous n'arrivez pas à enfoncer le foret, retirez-le. Manœuvrez deux ou trois fois le cache vers le bas, et recommencez. Tournez le foret et enfoncez-le jusqu'au déclic. (Fig. 3)

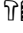
Après le montage, exercez toujours une traction vigoureuse sur le foret pour vérifier qu'il soit correctement verrouillé.

Pour retirer le foret, tirez le cache à fond vers le bas et sortez le foret. (Fig. 4)


Sélection du mode opératoire

Pour sélectionner un mode opératoire, commencez par mettre le sélecteur de mode et le levier de changement sur la position indiquée à la **Fig. 5**. Puis, procédez de la façon suivante.

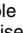
Rotation et percussion (Fig. 6 et 7)

Pour percer béton, maçonnerie, etc., appuyez sur le bouton de verrouillage et tournez le sélecteur de mode de façon que l'index soit dirigé sur le symbole . Utilisez un foret à pointe au carbure de tungstène.

Percussion seule (Fig. 6 et 8)

Pour travailler sans rotation avec burins et pointes, appuyez sur le bouton de verrouillage et tournez le sélecteur de mode de façon que l'index soit dirigé sur le symbole .

Rotation seulement (Fig. 6 et 9)

Pour percer du bois, du métal ou du plastique, tournez le levier de changement de façon que le symbole  soit aligné sur le repère du sélecteur de mode. Utilisez un foret hélicoïdal ou un foret à bois.

ATTENTION :


- Ne tournez pas le sélecteur de mode ni le levier de changement pendant que l'outil tourne en charge. Vous endommageriez l'outil.
- Pour éviter toute usure prématurée du mécanisme de sélection de mode, veillez à ce que le levier de changement et/ou le sélecteur de mode soit toujours bien réglés sur l'un des trois modes.
- Il n'est pas possible de passer directement du mode "percussion seulement" au mode "rotation seulement", et inversement du mode "rotation seulement" au mode "percussion seulement". Commencez pas régler le levier de changement et le sélecteur de mode sur le mode "rotation/percussion", comme indiqué à la **Fig. 5**. Puis, mettez-les sur la position "percussion seulement" ou "rotation seulement".


Orientation du burin

(lors d'un écaillage, d'un burinage, ou de travaux de démolition)

Important :

Avant toute manipulation d'un accessoire, assurez-vous que le perforateur est à l'arrêt et débranché.

Le tranchant du burin peut prendre 12 positions différentes. Pour modifier l'angle, appuyez sur le bouton de verrouillage et tournez le sélecteur de mode de façon que l'index soit dirigé sur le symbole . Tournez le burin à l'angle voulu. (**Fig. 10**)

Appuyez sur le bouton de verrouillage et tournez le sélecteur de mode de façon que l'index soit dirigé sur le symbole .

Puis, vérifiez que le burin est bien fixé en le tournant légèrement. (**Fig. 11**)

Poignée latérale pour le perçage (Fig. 12)

ATTENTION :

- Pour des raisons de sécurité, le perçage dans les matériaux doit toujours être pratiqué avec cette poignée.
- Lorsque le foret commence à mordre dans le béton ou qu'il rencontre des fers à béton, l'outil peut réagir dangereusement. Gardez un bon équilibre et soyez ferme sur vos deux pieds tout en tenant votre outil fermement des deux mains afin de palier toute réaction dangereuse.

Cette poignée se place indifféremment à gauche ou à droite, ce qui permet un maniement aisé de l'outil dans n'importe quelle position. Desserrez-la en le faisant tourner vers la gauche, placez-la sur la position voulue, puis immobilisez-la en la faisant tourner vers la droite.

Interrupteur (Fig. 13)

ATTENTION :

Avant de brancher l'outil, vérifiez toujours que la gâchette fonctionne et qu'elle revient sur la position "OFF" une fois relâchée.

Pour mettre l'outil en route, il suffit d'enfoncer la gâchette, et de la relâcher pour arrêter.

Changement de vitesse (Fig. 14)


Il est possible de régler le nombre de rotations et de frappes par minute en tournant la molette de réglage. La molette est graduée de 1 (vitesse la plus lente) à 6 (vitesse la plus rapide). Pour les rapports entre les graduations de la molette et le nombre de rotations/frappes par minute, voir le tableau ci-dessous.

Graduations de la molette de réglage	Rotations par minute	Frappes par minute
6	720	3 300
5	690	3 150
4	590	2 700
3	490	2 250
2	390	1 800
1	360	1 650

Rotation et percussion (Fig. 15)

ATTENTION :

Lorsque le foret commence à mordre dans le béton ou qu'il rencontre des fers à béton, l'outil peut réagir dangereusement. Gardez un bon équilibre et soyez ferme sur vos deux pieds tout en tenant votre outil fermement des deux mains afin de palier toute réaction dangereuse.

Réglez le sélecteur de mode et le levier de changement sur le symbole . Posez la pointe du foret à l'endroit du trou à percer et tirez sur la gâchette. Ne forcez pas sur l'outil. Une pression légère vous donnera les meilleurs résultats. Maintenez bien l'outil en place et veillez à ce qu'il ne dérape pas du trou.

Si les débris ne s'évacuent pas, ne forcez pas sur le foret. Au contraire, faites-le tourner à vide et retirez-le du trou. En répétant cette opération plusieurs fois de suite, vous nettoierez complètement le trou.

Limiteur de couple

Le limiteur de couple se déclenche lorsqu'un certain niveau de couple est atteint. Le moteur se désaccouple du porte-outil. Dans ce cas, le foret cesse de tourner.

ATTENTION :

Coupez le contact dès que le limiteur de couple se déclenche. Ceci permettra d'éviter toute usure prématurée de l'outil.

Burinage/Ecaillage/Démolition (Fig. 16)

Réglez le sélecteur de mode et le levier de changement sur le symbole . Tenez l'outil fermement des deux mains. Mettez le contact et appliquez une légère pression sur l'outil de façon qu'il ne risque pas de sauter d'un côté ou de l'autre. Le fait d'appliquer une pression excessive n'augmentera pas l'efficacité de l'opération.

Perçage (Fig. 17)

Pour ce type de travail, utilisez l'accessoire mandrin. Pour l'installation, reportez-vous à la section "Installation ou retrait du foret", à la page précédente. Les diamètres maxima de perçage sont de 13 mm pour le métal et de 30 mm pour le bois.

Mettez le levier de changement et le sélecteur de mode sur le symbole .

- Perçage dans du bois
Pour percer dans du bois, vous obtiendrez les meilleurs résultats avec un foret en bois doté d'une vis de guidage. La vis de guidage facilite le perçage en attirant le foret dans la pièce.
- Perçage dans du métal
Pour éviter que le foret ne glisse quand vous commencez à percer le trou, faites une entaille à l'aide d'un outil à centrer et d'un marteau au point à percer. Placez la pointe du foret dans l'entaille et commencez à percer. Pour percer des métaux, utilisez un lubrifiant de coupe. Seul le cuivre devra être percé à sec.

ATTENTION :

- Vous ne percerez pas plus rapidement en appuyant plus fort sur l'outil. Au contraire, une pression excessive ne pourra qu'endommager la pointe du foret, réduisant ainsi les performances de l'outil et sa durée de vie.
- N'utilisez jamais la "rotation et frappe" lorsque le porte-mandrin est engagé dans la machine, car vous pourriez endommager l'ensemble.

Tige de profondeur (Fig. 18)

La tige de profondeur est pratique pour percer des trous de longueur uniforme. Desserrez l'écrou à oreilles et réglez la tige de profondeur à la profondeur voulue. Après le réglage, serrez l'écrou à oreilles à fond.

NOTE :

La tige de profondeur ne pourra pas être utilisée dans les positions où son extrémité arrière vient buter contre le carter.

Voyant (Fig. 19)

Une fois la machine branchée, le voyant VERT s'allume dès que la gachette est enfoncée : ceci indique que le circuit d'alimentation est opérationnel. Si l'outil ne démarre pas, malgré l'allumage du voyant VERT, la cause peut être une usure totale des charbons, une avarie sur moteur. Si le voyant VERT ne s'allume pas lorsque la gachette est enfoncée, l'avarie peut concerner le câble d'alimentation ou l'interrupteur.

L'allumage du voyant ROUGE signale une usure avancée des charbons, avec une possibilité d'utilisation résiduelle d'environ 8 heures. Lorsque l'usure sera complète, la machine s'arrêtera, et ne pourra être remise en service qu'après remplacement des charbons usagés par un jeu neuf.

ENTRETIEN

ATTENTION :

Avant toute intervention, assurez-vous que le contact est coupé et l'outil débranché.

Remplacement des charbons (Fig. 20 et 21)

Lorsque les charbons ont besoin d'être remplacés, l'outil s'arrête automatiquement. Dans ce cas, retirez les vis de fixation du cache du porte-charbon et retirez le cache et bouchon du porte-charbon. Puis, remplacez les deux charbons en même temps. Utilisez impérativement des charbons identiques.

Graissage

Le système de graissage de cet outil comporte une réserve de lubrifiant. Graissez l'outil chaque fois que vous remplacez les charbons.

Laissez tourner l'outil pendant plusieurs minutes pour amener l'huile à température. Eteignez l'outil et débranchez-le.

Desserrez les six vis et retirez la poignée. Notez que les vis supérieures sont différentes des autres vis. (Fig. 22)

Débranchez le connecteur en tirant dessus. (Fig. 23)

Retirez le couvercle du carter à l'aide de la clé BTR. (Fig. 24)

Posez l'outil sur un établi, avec le porte-outil en l'air, pour que l'huile usagée revienne dans le carter et s'écoule. Essuyez l'huile usagée à l'intérieur et remplacez-la par de l'huile neuve (30 g). Utilisez exclusivement le lubrifiant spécial Makita d'origine (accessoire en option). Si vous mettez plus d'huile que la quantité spécifiée (environ 30 g), vous risquez une percussion défectueuse et une panne de l'outil. Respectez strictement la quantité spécifiée. Remettez le couvercle du carter en place et vissez-le avec la clé BTR. (Fig. 25)

Branchez le connecteur et remontez la poignée. (Fig. 26)

ATTENTION :

- Faites attention de ne pas endommager les fiches ni les fils, en particulier lorsque vous essuyez l'huile usagée ou que vous montez la poignée.
- Ne serrez pas trop le couvercle du carter. Il est en résine et pourrait se casser.

Pour maintenir la sécurité et la fiabilité des outils, les réparations, l'entretien ou les réglages doivent être effectués par le Centre d'Entretien Makita.

Übersicht

1 Bohrer-/Meißelfett	11 Symbol für "Bohren"	22 Kohlebürstenschutz- abdeckung
2 Einsteckende	12 Lösen	23 Kohlebürstendeckel
3 Einsatzwerkzeug	13 Festziehen	24 Schrauben
4 Werkzeugverriegelung	14 Seitengriff	25 Steckverbinder
5 Betriebsartenschalter	15 Ein-Aus-Schalter	26 Schwarz
6 Umschalthebel	16 Drehzahl-Stellrad	27 Weiß
7 Symbol für "Bohren und Schlagen"	17 Klemmschraube	28 Kurbelgehäusedeckel
8 Entriegelungsknopf	18 Tiefenanschlag	29 Innensechskantschlüssel
9 Pfeil	19 Netzkontrolleuchte (grün)	30 Schmiermittel
10 Symbol für "Schlagen"	20 Wartungskontrolleuchte (rot)	31 Zahnkranzbohrfutter
	21 Schraubendreher	

TECHNISCHE DATEN

Modell **HR3000C**

Vollbohrer	
Einsatzwerkzeug mit Hartmetallspitze	30 mm
Bohrkronen	90 mm
Holz	30 mm
Stahl	13 mm
Leerlaufdrehzahl (min ⁻¹)	360 – 720
Schlagzahl/min.	1 650 – 3 300
Gesamtlänge	391 mm
Nettogewicht	4,8 kg

- Wir behalten uns vor, Änderungen im Zuge der Entwicklung und des technischen Fortschritts ohne vorherige Ankündigung vorzunehmen.
- Hinweis: Die technischen Daten können von Land zu Land abweichen.

Netzanschluß

Die Maschine darf nur an die auf dem Typenschild angegebene Netzspannung angeschlossen werden und arbeitet nur mit Einphasen- Wechselspannung. Sie ist entsprechend den Europäischen Richtlinien doppelt schutzisoliert und kann daher auch an Steckdosen ohne Erdanschluß betrieben werden.

Sicherheitshinweise

Lesen und beachten Sie diese Hinweise, bevor Sie das Gerät benutzen.

ZUSÄTZLICHE SICHERHEITSBESTIMMUNGEN

1. Tragen Sie einen Schutzhelm, einen Augenschutz und/oder eine Schutzmaske. Außerdem wird dringend empfohlen, eine Staubmaske, einen Gehörschutz und dick gepolsterte Arbeitshandschuhe zu tragen.
2. Stellen Sie sicher, daß das Einsatzwerkzeug fest eingespannt ist, bevor Sie mit der Arbeit beginnen.
3. Kontrollieren Sie vor Arbeitsbeginn sorgfältig alle Schrauben auf festen Sitz. Durch betriebsbedingte Vibrationen können sich Schrauben lösen und somit Schäden oder Unfälle verursachen.

4. Nach längeren Stillstandzeiten und bei unterkühltem Gerät lassen Sie die Maschine einige Zeit ohne Belastung warmlaufen, um die Schmierung im Gerät zu ermöglichen. Hammerbohren bzw. Meißelbetrieb ist u. U. nicht möglich, wenn die Maschine nicht ausreichend warmgelaufen ist.
5. Sorgen Sie für sicheren Stand und halten Sie jederzeit Gleichgewicht. Stellen Sie sicher, daß sich bei Einsatz der Maschine an hochgelegenen Arbeitsplätzen keine Personen darunter aufhalten.
6. Halten Sie die Maschine mit beiden Händen fest.
7. Halten Sie die Hände von rotierenden Teilen fern.
8. Legen Sie die Maschine nicht im eingeschalteten Zustand aus der Hand. Schalten Sie die Maschine nur ein, wenn sie mit der Hand geführt wird.
9. Richten Sie die Maschine nicht auf in unmittelbarer Nähe stehende Personen. Das Einsatzwerkzeug kann herausgeschleudert werden und schwere Verletzungen verursachen.
10. Beim Hammerbohren bzw. Meißeln in Wände, Fußböden oder sonstige Stellen, an denen sich stromführende Leitungen befinden könnten, nicht die Metallteile der Maschine oder des Einsatzwerkzeuges berühren. Die Maschine nur an den isolierten Griffflächen festhalten, um beim versehentlichen Auftreffen in eine stromführende Leitung einen elektrischen Schlag zu vermeiden.
11. Berühren Sie nicht das Einsatzwerkzeug oder Teile in der Nähe des Einsatzwerkzeuges unmittelbar nach Beendigung der Arbeit. Sie können sehr heiß sein und Verbrennungen verursachen.

BEWAHREN SIE DIESE HINWEISE SORGFÄLTIG AUF.

BEDIENUNGSHINWEISE

Montage und Demontage von Einsatzwerkzeugen

Wichtig:

Vergewissern Sie sich vor der Montage bzw. Demontage eines Einsatzwerkzeugs grundsätzlich, daß die Maschine abgeschaltet und der Netzstecker gezogen ist.

Das Einsteckende vor dem Einsetzen in die Maschine säubern und anschließend mit dem mitgelieferten Bohrer/Meißelfett schmieren. **(Abb. 1)**

Einsatzwerkzeug drehend in die Werkzeugaufnahme einführen und einschieben, bis es einrastet. **(Abb. 2)**

Sollte das Einsatzwerkzeug nicht einzuschieben sein, ziehen Sie es wieder heraus und betätigen Sie die Werkzeugverriegelung zwei- bis dreimal. Anschließend den Vorgang wiederholen. **(Abb. 3)**


Prüfen Sie nach jedem Montagevorgang den sicheren Sitz des Einsatzwerkzeugs durch Zugversuch.

Zur Demontage des Einsatzwerkzeugs die Werkzeugverriegelung bis zum Anschlag in Richtung Maschinengehäuse ziehen und das Einsatzwerkzeug entnehmen. **(Abb. 4)**

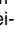
Wahl der Betriebsart

Zur Wahl der Betriebsart stellen Sie zuerst den Betriebsartenschalter und den Umschalthebel auf die in **Abb. 5** gezeigte Position. Gehen Sie dann folgendermaßen vor.


Drehung mit Hammerbohren (Abb. 6 und 7)

Zum Bohren in Beton, Granit, Ziegelstein usw. drücken Sie den Entriegelungsknopf und drehen den Betriebsartenschalter, bis der Pfeil auf das Symbol  weist. Verwenden Sie nur HM-bestückte Hammerbohrer.

Meißelbetrieb (Abb. 6 und 8)

Für Meißelbetrieb Entriegelungsknopf drücken und Betriebsartenschalter drehen, bis der Pfeil auf das Symbol  zeigt. Verwenden Sie einen spitzmeißel, Flachmeißel, Stemmeißel usw.

Bohren (Abb. 6 und 9)

Zum Bohren in Holz, Metall oder Kunststoff den Umschalthebel so drehen, daß das Symbol  auf den Zeiger am Betriebsartenschalter ausgerichtet ist. Einen Spiral- oder Holzbohrer verwenden.

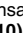
VORSICHT:


- Drehen Sie den Betriebsartenschalter und/oder den Umschalthebel nicht, wenn die Maschine unter Belastung läuft. Die Maschine wird sonst beschädigt.
- Um schnellen Verschleiß des Betriebsart-Schaltmechanismus zu vermeiden, achten Sie stets darauf, daß der Betriebsartenschalter und/oder der Umschalthebel einwandfrei in einer der drei Betriebsartpositionen eingearbeitet ist.
- Die Betriebsart kann nicht direkt von "Schlagen" auf "Bohren" oder von "Bohren" auf "Schlagen" umgeschaltet werden. Zuerst müssen Betriebsartenschalter und Umschalthebel auf die in **Abb. 5** gezeigte Betriebsartposition "Bohren und Schlagen" gestellt werden. Dann müssen sie auf die Position "Schlagen" bzw. "Bohren" gestellt werden.

Einsatzwerkzeugposition (beim Meißeln, Stemmen oder Abräumen)

Vorsicht:

Vergewissern Sie sich vor Änderung der Einsatzwerkzeugposition, daß die Maschine abgeschaltet und der Netzstecker gezogen ist.

Das Einsatzwerkzeug kann in 12 verschiedenen Positionen gesichert werden. Zur Änderung der Position Entriegelungsknopf drücken und den Betriebsartenschalter mit dem Pfeil auf Symbol  stellen. Das Einsatzwerkzeug in die gewünschte Position drehen. **(Abb. 10)**

Entriegelungsknopf drücken und Betriebsartenschalter mit dem Pfeil auf Symbol  stellen.

Prüfen Sie den sicheren Sitz des Einsatzwerkzeugs durch Drehversuch. **(Abb. 11)**

Seitengriff (Abb. 12)

VORSICHT:

- Zum Erhalt der Betriebssicherheit ist der Seitengriff beim Hammerbohrbetrieb stets zu verwenden.
- Beim Bohren in Eisenbewehrtem Beton kann das Einsatzwerkzeug blockieren und so die Rutschkupplung der Maschine auslösen. Achten Sie daher auf sicheren Stand und halten Sie die Maschine sicher mit beiden Händen fest, um die hohen Rückdrehmomente aufzufangen.

Der Seitengriff wird durch Linksdrehung gelöst und kann zu beiden Seiten geschwenkt werden, um die Maschine in jeder Arbeitsposition sicher halten zu können. Durch Rechtsdrehung wird der Seitengriff gegen Verdrehen gesichert.

Schalterfunktion (Abb. 13)

VORSICHT:

Vergewissern Sie sich vor dem Anschließen der Maschine an das Stromnetz stets, daß der EIN/AUS-Schalter ordnungsgemäß funktioniert und beim Loslassen in die AUS-Stellung zurückkehrt.

Zum Einschalten drücken Sie einfach den EIN/AUS-Schalter. Zum Ausschalten lassen Sie den Schalter los.

Drehzahl-/Schlagzahlvorwahl (Abb. 14)

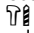
Die Drehzahl-/Schlagzahlvorwahl der Maschine kann am Drehzahl-Stellrad vorgewählt werden. Das Drehzahl-Stellrad ist von "1" (niedrigste Schlagzahl) bis "6" (höchste Schlagzahl) markiert. Die nachstehende Tabelle zeigt den Zusammenhang zwischen der vorgewählten Einstellung und der Schlag-/Drehzahl.

Einstellung Drehzahl- Stellrad	Drehzahl	Schlagzahl (min ⁻¹)
6	720	3 300
5	690	3 150
4	590	2 700
3	490	2 250
2	390	1 800
1	360	1 650

Hammerbohren (Abb. 15)

VORSICHT:

Beim Bohren in eisenbewehrtem Beton kann das Einsatzwerkzeug blockieren und so die Rutschkupplung der Maschine auslösen. Achten Sie daher auf sicheren Stand und halten Sie die Maschine sicher mit beiden Händen fest, um die hohen Rückdrehmomente aufzufangen.

Betriebsartenschalter und Umschalthebel auf das Symbol  stellen. Den Bohrer auf die Bohrstelle setzen, dann den Ein-Aus-Schalter drücken. Keinen übermäßigen

Druck auf die Maschine ausüben. Leichter Druck liefert die besten Ergebnisse. Die Maschine in Position halten und Abrutschen vom Loch vermeiden.


Drehmomentbegrenzung

Die Rutschkupplung der Maschine begrenzt das Drehmoment auf einen werkseitig eingestellten Maximalwert. Bei Auslösen trennt die Rutschkupplung den Antrieb von der Bohrspindel und das Einsatzwerkzeug kommt zum Stillstand.

VORSICHT:

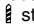
Bei Auslösen der Rutschkupplung Maschine sofort abschalten, um frühzeitigen Verschleiß zu vermeiden.

Meißelbetrieb (Abb. 16)

Betriebsartenschalter und Umschalthebel auf das Symbol  stellen. Die Maschine sicher mit beiden Händen festhalten. Die Maschine einschalten und mit leichtem Druck führen, damit sie nicht unkontrolliert springt. Übermäßige Druckausübung auf die Maschine bewirkt keine Erhöhung der Arbeitsleistung.

Bohren (Abb. 17)

Verwenden Sie das als Sonderzubehör erhältliche Bohrfutter mit montiertem Bohrfutteradapter. Zur Montage gehen Sie wie im Abschnitt "Montage bzw. Demontage Drehrichtungsumschalter" beschrieben vor. Stellen Sie den Betriebsartenschalter auf die Position Drehbohren. Die maximale Bohrleistung beträgt in Metall 13 mm und in Holz 30 mm.

Betriebsartenschalter und Umschalthebel auf das Symbol  stellen.

• Bohren in Holz

Beim Bohren in Holz lassen sich die besten Ergebnisse mit Holzbohrern erzielen, die mit einer Gewindespitze ausgestattet sind. Die Gewindespitze erleichtert das Bohren, da sie den Bohrer in das Werkstück hineinzieht.

• Bohren in Metall

Damit der Bohrer beim Anbohren nicht verläuft, ist die zu bohrende Stelle mit einem Körner anzukörnen. Dann setzen Sie den Bohrer in die Vertiefung ein und beginnen mit dem Bohren.

Verwenden Sie beim Bohren von Metall ein Schneidöl. Messing wird allerdings ohne Zugabe von Schneidemulsionen bearbeitet.

VORSICHT:

- Ein zu starker Druck auf die Maschine bewirkt keine Beschleunigung der Bohrleistung. Ein zu hoher Schnittdruck führt zu einer Beschädigung der Bohrer Spitze und damit zu Verringerung der Bohrerstandzeit und Überbeanspruchung der Maschine.

- Bei montiertem Bohrfutteradapter mit dem Bohrfutter darf keinesfalls die Betriebsart "Hammerbohren" gewählt werden.

Tiefenanschlag (Abb. 18)

Zur Herstellung gleichbleibender Bohrtiefen kann der Tiefenanschlag verwendet werden. Lösen Sie dazu die Klemmschraube, stellen Sie den Tiefenanschlag auf die gewünschte Bohrtiefe und ziehen anschließend die Klemmschraube wieder fest.

HINWEIS:

Bei Positionierung des Tiefenanschlags gegen das Getriebegehäuse kann dieser nicht verwendet werden.

Kontrollleuchten (Abb. 19)

Beim Einschalten der Maschine leuchtet die grüne Netzkontrollleuchte auf. Sollte die Maschine nicht anlaufen, liegt ein Defekt des Motors, der Regelelektronik bzw. der Kohlebürsten vor. Sollte die Netzkontrollleuchte nicht leuchten und die Maschine sich nicht einschalten lassen, kann ein Schalter- bzw. Netzkabeldefekt vorliegen.

Die rote Wartungskontrollleuchte signalisiert den erforderlichen Kohlebürstenwechsel und Wartung. Die Maschine schaltet ca. 8 Betriebsstunden nach Aufleuchten der Wartungskontrollleuchte selbsttätig ab.

WARTUNG

VORSICHT:

Vor Arbeiten an der Maschine vergewissern Sie sich, daß sich der Schalter in der "OFF-" Position befindet und der Netzstecker gezogen ist.

Auswechseln der Kohlebürsten (Abb. 20 u. 21)

Wenn die Kohlebürsten bis auf die Verschleißgrenze abgenutzt sind, wird der Motor automatisch abgeschaltet. In einem solchen Fall entfernen Sie die Schrauben, mit denen der Bürstenhalterdeckel befestigt ist und kohlebürstendeckel. Entfernen Sie den Bürstenhalterdeckel und wechseln Sie beide Kohlebürsten gleichzeitig aus. Verwenden Sie stets ein Paar identischer Kohlebürsten.

Schmierung

Diese Maschine ist mit einem versiegelten Schmiersystem ausgestattet. Schmieren Sie die Maschine bei jedem Auswechseln der Kohlebürsten.

Lassen Sie die Maschine einige Minuten warmlaufen. Schalten Sie die Maschine aus und ziehen Sie den Netzstecker.

Lösen Sie die sechs Schrauben und entfernen Sie den Griff. Bitte beachten Sie die unterschiedlichen Schraubengrößen der oberen Schrauben. (Abb. 22)

Den Steckverbinder durch Ziehen abtrennen. (Abb. 23) Entfernen Sie den Kurbelgehäusedeckel mit dem Innensechskantschlüssel. (Abb. 24)

Stellen Sie die Maschine so auf eine Unterlage, daß sich das verbleibende Schmiermittel im Kurbelgehäuse sammeln kann (Werkzeugaufnahme nach oben gerichtet). Entfernen Sie das verbrauchte Schmiermittel mit einem Lappen und füllen Sie frisches Schmiermittel (30 g) ein. Verwenden Sie ausschließlich Original-Makita-Schmiermittel (Sonderzubehör). Wird mehr als die vorgeschriebene Menge (ca. 30 g) Schmiermittel eingefüllt, kann dies zu Betriebsstörungen und Getriebebeschäden führen. Bringen Sie dann den Kurbelgehäusedeckel wieder an und ziehen Sie ihn mit dem Innensechskantschlüssel fest. (Abb. 25)

Den Steckverbinder anschließen und den Griff wieder anbringen. **(Abb. 26)**

VORSICHT:

- Achten Sie sorgfältig darauf, daß die Steckverbinder oder elektrischen Leitungen nicht beschädigt werden, besonders beim Abwischen des verbrauchten Schmiermittels und beim Anbringen des Griffes.
- Ziehen Sie den Kurbelgehäusedeckel nicht übermäßig fest an. Er besteht aus Kunstharz und könnte beschädigt werden.

Um die Sicherheit und Zuverlässigkeit dieses Gerätes zu gewährleisten, sollten Reparatur-, Wartungs-, und Einstellarbeiten nur von Makita autorisierten Werkstätten oder Kundendienstzentren unter ausschließlicher Verwendung von Makita-Originalersatzteilen ausgeführt werden.

Visione generale

1	Grasso punta	11	Simbolo di "Rotazione soltanto"	22	Coperchio portaspaZZole
2	Codolo	12	Per allentare	23	Tappo portaspaZZole
3	Punta	13	Per stringere	24	Viti
4	Coperchio mandrino	14	Impugnatura laterale	25	Connettore
5	Leva di cambio	15	Interruttore	26	Nero
6	Leva di spostamento	16	Ghiera di regolazione	27	Bianco
7	Simbolo di "Rotazione con martellatura"	17	Vite di fissaggio	28	Tappo ingranaggio
8	Bottone di bloccaggio	18	Calibro di profondità	29	Chiave esagonale
9	Indice	19	Spia di accensione (verde)	30	Grasso per martello
10	Simbolo di "Martellatura soltanto"	20	Spia di funzionamento (rossa)	31	Mandrino per punta
		21	Cacciavite		

DATI TECNICI

Modello	HR3000C
Capacità	
Punta con riporto al carburo di tungsteno	30 mm
Punta a corona	90 mm
Legno	30 mm
Acciaio	13 mm
Velocità a vuoto (giri/min.)	360 – 720
Colpi/min.	1.650 – 3.300
Lunghezza totale	391 mm
Peso netto	4,8 kg

- Per il nostro programma di ricerca e sviluppo continui, i dati tecnici sono soggetti a modifiche senza preavviso.
- Nota: I dati tecnici potrebbero differire a seconda del paese di destinazione del modello.

Alimentazione

L'utensile deve essere collegato ad una presa di corrente con la stessa tensione indicata sulla targhetta del nome, e può funzionare soltanto con la corrente alternata monofase. Esso ha un doppio isolamento in osservanza alle norme europee, per cui può essere usato con le prese di corrente sprovviste della messa a terra.

Consigli per la sicurezza

Per la vostra sicurezza, riferitevi alle accluse istruzioni per la sicurezza.

REGOLE ADDIZIONALI DI SICUREZZA

1. **Indossare un copricapo duro (casco di sicurezza), occhiali di protezione e/o una visiera. Si raccomanda anche in modo particolare di indossare una mascherina antipolvere, paraorecchi e guantoni imbottiti.**
2. **Accertarsi che la punta sia fissata saldamente prima di cominciare il lavoro.**
3. **Durante il normale funzionamento, l'utensile produce delle vibrazioni, per cui le viti si possono allentare facilmente causando guasti o incidenti. Controllare con cura che le viti siano strette saldamente prima di cominciare il lavoro.**
4. **D'inverno, oppure se l'utensile non è stato usato per un lungo periodo di tempo, lasciare che si riscaldi per alcuni minuti facendolo girare a vuoto prima di usarlo. Ciò permette al lubrificante di sciogliersi. Se l'utensile non è sufficientemente caldo, l'operazione di martellatura è difficoltosa.**

5. **Accertarsi sempre di avere un appoggio saldo per i piedi. Accertarsi inoltre che non ci sia nessuno sotto se si usa l'utensile in un posto elevato.**
6. **Tenere saldamente l'utensile con entrambe le mani.**
7. **Tenere le mani lontane dalle parti rotanti.**
8. **Non posare l'utensile lasciandolo girare. Farlo funzionare soltanto tenendolo in mano.**
9. **Non puntare l'utensile su qualcuno vicino a dove si lavora, perché la punta potrebbe schizzar via e ferirlo gravemente.**
10. **Trapanando o scalpellando le pareti, i pavimenti o dovunque ci siano dei fili elettrici sotto tensione, NON TOCCARE ALCUNA PARTE METALLICA DELL'UTENSILE! Tenere l'utensile per le parti isolate, per evitare le scosse se dovesse incontrare un filo sotto tensione.**
11. **Non toccare la punta o le parti vicine alla punta subito dopo aver usato l'utensile, perché potrebbero essere estremamente calde e ustionare la pelle.**

CONSERVATE QUESTE ISTRUZIONI.

ISTRUZIONI PER L'USO

Installazione o rimozione della punta

Importante:

Accertarsi sempre che l'utensile sia spento e staccato dalla presa di corrente prima di installare o di rimuovere la punta.

Pulire il codolo e applicare il grasso per punta fornito prima di installarla. (Fig. 1)

Inserire la punta nell'utensile. Girare la punta e spingerla finché non viene agganciata. (Fig. 2)

Se non è possibile spingere dentro la punta, toglierla, abbassare un paio di volte il coperchio del mandrino e inserire poi di nuovo la punta. Girare la punta e inserirla finché non viene agganciata. (Fig. 3)

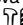
Dopo l'installazione, accertarsi sempre che la punta sia fissata saldamente in posizione provando a tirarla fuori. Per togliere la punta, abbassare completamente il coperchio del mandrino e tirare fuori la punta. (Fig. 4)

Selezione del modo di funzionamento

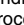
Quando si seleziona un modo di funzionamento, regolare prima la leva di cambio e la leva di spostamento sulla posizione mostrata nella Fig. 5.

Procedere poi come segue.


Rotazione con martellatura (Fig. 6 e 7)

Per trapanare il cemento armato, muratura, ecc., schiacciare il bottone di bloccaggio e girare la leva di cambio in modo che l'indice sia puntato sul simbolo . Usare una punta con riporto al carburo di tungsteno.

Martellatura soltanto (Fig. 6 e 8)

Per le operazioni di frammentazione, disincrostazione o demolizione, schiacciare il bottone di bloccaggio e ruotare la leva di cambio in modo che l'indice sia puntato sul simbolo . Usare una punta da roccia, un tagliolo a freddo, uno scalpello per disincrostare, ecc.

Rotazione soltanto (Fig. 6 e 9)

Per trapanare i materiali in legno, metallo o plastica, ruotare la leva di cambio in modo che il simbolo  sia allineato con l'indice sulla leva di cambio. Usare una punta elicoidale o una punta per legno.


ATTENZIONE:


- Non ruotare la leva di cambio e/o la leva di spostamento mentre l'utensile gira sotto carico, perché altrimenti lo si può danneggiare.
- Per evitare la rapida usura del meccanismo del modo di cambio, accertarsi che la leva di cambio e/o la leva di spostamento siano sempre posizionate positivamente su una delle tre posizioni del modo di funzionamento.
- Il modo di funzionamento non può essere cambiato direttamente da "martellatura soltanto" a "rotazione soltanto" o da "rotazione soltanto" a "martellatura soltanto". Regolare prima la leva di cambio e la leva di spostamento sulla posizione del modo di "rotazione con martellatura" mostrato nella Fig. 5. Regolarle poi sulla posizione per "martellatura soltanto" o "rotazione soltanto".

Angolo della punta (per frammentare, disincrostare o demolire)

Importante:

Accertarsi sempre che l'utensile sia spento e staccato dalla presa di corrente prima di cambiare l'angolo della punta.

La punta può essere fissata a 12 angoli diversi. Per cambiare l'angolo della punta, schiacciare il bottone di bloccaggio e ruotare la leva di cambio in modo che l'indice sia puntato sul simbolo . Girare la punta sull'angolo desiderato. (Fig. 10)

Schiacciare il bottone di bloccaggio e ruotare la leva di cambio in modo che l'indice sia puntato sul simbolo . Accertarsi poi che la punta sia fissata saldamente in posizione girandola leggermente. (Fig. 11)

Impugnatura laterale (Fig. 12)

ATTENZIONE:

- Usare sempre l'impugnatura laterale per la sicurezza trapanando il cemento armato, muratura, ecc.
- Quando la punta sta per trapanare completamente il cemento armato, oppure se urta contro le barre dell'armatura dentro il cemento, l'utensile potrebbe reagire violentemente. Mantenersi ben bilanciati e con i piedi ben piantati, tenendo saldamente l'utensile con entrambe le mani per evitare reazioni pericolose.

L'impugnatura laterale può essere spostata su entrambi i lati, permettendo un maneggiamento facile dell'utensile in qualsiasi posizione. Allentare l'impugnatura laterale girandola in senso antiorario, spostarla sulla posizione desiderata e fissarla poi girandola in senso orario.

Funzionamento (Fig. 13)

ATTENZIONE:

Prima di collegare l'utensile alla presa di corrente, accertarsi sempre che l'interruttore funzioni correttamente e torni sulla posizione "OFF" quando viene rilasciato.

Per avviare l'utensile, schiacciare semplicemente l'interruttore. Rilasciare l'interruttore per arrestarlo.

Cambiamento della velocità (Fig. 14)

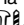
I giri e i colpi al minuto possono essere regolati girando semplicemente la ghiera di regolazione. La ghiera è marcata da 1 (velocità minima) a 6 (velocità massima). Riferirsi alla tabella sotto per il rapporto tra le regolazioni dei numeri sulla ghiera e i giri/colpi al minuto.

Numero sulla ghiera di regolazione	Giri/minuto	Colpi/minuto
6	720	3.300
5	690	3.150
4	590	2.700
3	490	2.250
2	390	1.800
1	360	1.650

Operazione di foratura con martellatura (Fig. 15)

ATTENZIONE:

Quando la punta sta per trapanare completamente il cemento armato, oppure se urta contro le barre dell'armatura dentro il cemento, l'utensile potrebbe reagire violentemente. Mantenersi ben bilanciati e con i piedi ben piantati, tenendo saldamente l'utensile con entrambe le mani per evitare reazioni pericolose.

Regolare la leva di cambio e la leva di spostamento sul simbolo . Posizionare la punta sul punto del foro e schiacciare l'interruttore. Non forzare l'utensile. Una pressione leggera produce i risultati migliori.

Mantenere l'utensile in posizione per evitare che scivoli via dal foro.

Non esercitare una pressione maggiore se il foro diventa intasato di schegge o particelle. Fare invece girare l'utensile al minimo e rimuoverlo dal foro. Ripetendo diverse volte questa operazione si ripulisce il foro.


Limitatore di coppia

Il limitatore di coppia entra in azione quando viene raggiunto un certo livello di coppia. Il motore allora si disinnesta dall'albero motore. In tal caso, la punta smette di girare.


ATTENZIONE:

Non appena il limitatore di coppia entra in azione, spegnere immediatamente l'utensile. Ciò ne previene l'usura prematura.

Frammentazione/disincrostazione/demolizione (Fig. 16)

Regolare la leva di cambio e la leva di spostamento sul simbolo . Tenere saldamente l'utensile con entrambe le mani. Accendere l'utensile ed esercitare su di esso una leggera pressione in modo che non sbandi incontrollato. Premendo forte sull'utensile non se ne aumenta l'efficienza.

Operazione di foratura (Fig. 17)

Usate il gruppo del mandrino per punte da trapano opzionale. Per installarlo, riferitevi a "Installazione o rimozione della punta da trapano" alla pagina precedente. Potete trapanare fori di un massimo di 13 mm di diametro nel metallo e di un massimo di 30 mm di diametro nel legno. Posizionare la leva di cambio e la leva di spostamento sul simbolo .

• Foratura del legno

Forando il legno si ottengono i risultati migliori con le punte per legno dotate di viti guida. La vite guida facilita la foratura spingendo la punta nel pezzo da lavorare.

• Foratura del metallo

Per evitare che la punta scivoli quando si comincia il foro, fare una intaccatura con la punta centrale e martellare sul punto da forare. Mettere la punta sull'intaccatura e cominciare a trapanare.

Per forare i metalli, usare un lubrificante di taglio. L'eccezione è l'ottone, che deve essere trapanato a secco.

ATTENZIONE:

- Premendo eccessivamente sull'utensile non si accelera la foratura. Al contrario, una pressione eccessiva serve soltanto a danneggiare la punta e a ridurre le prestazioni e la vita dell'utensile.
- Non si deve mai usare la "rotazione con percussione" quando il gruppo del mandrino di perforazione è installato sull'utensile, perché altrimenti lo si può danneggiare.

Calibro di profondità (Fig. 18)

Il calibro di profondità è comodo per trapanare fori a profondità uniformi. Allentare la vite di fissaggio e regolare il calibro alla profondità desiderata. Stringere saldamente la vite di fissaggio dopo la regolazione.

NOTA:

il calibro di profondità non può essere usato dove va a sbattere contro l'alloggiamento dell'ingranaggio/ motore.

Spia (Fig. 19)

La spia di accensione verde si illumina quando si accende l'utensile. Se la spia è accesa ma l'utensile non si avvia, potrebbe essere che le spazzole di carbone sono consumate, oppure che il circuito elettrico o il motore siano difettosi. Se la spia non si accende e l'utensile non si avvia, potrebbe essere che sia difettoso l'interruttore di accensione/ spegnimento o il cavo di alimentazione.

La spia rossa di funzionamento si accende quando le spazzole di carbone sono quasi consumate, per indicare che l'utensile richiede la manutenzione. Il motore si spegne automaticamente dopo circa 8 ore d'uso.

MANUTENZIONE

ATTENZIONE:

Prima di eseguire qualsiasi lavoro sull'utensile, accertatevi sempre che sia spenta e staccata dalla presa di corrente.

Sostituzione delle spazzole di carbone (Fig. 20 e 21)

Ogni volta che le spazzole di carbone devono essere sostituite, l'utensile si spegne automaticamente. In tal caso, rimuovere le viti che fissano il coperchio delle spazzole di carbone e tappo portaspazzole. Togliere il coperchio e sostituire contemporaneamente entrambe le spazzole di carbone. Usare soltanto spazzole di carbone identiche.

Lubrificazione

Non è necessario lubrificare l'utensile ogni ora o ogni giorno, perché è dotato del sistema di lubrificazione a grasso compresso. Lubrificare l'utensile ogni volta che vengono cambiate le spazzole di carbone.

Far girare l'utensile per diversi minuti per riscaldarlo. Spegnerlo e staccare il cavo di alimentazione dalla presa di corrente.

Allentare le sei viti e rimuovere il manico. Tener presente che le viti superiori sono diverse dalle altre. (Fig. 22)

Staccare il connettore tirandolo. (Fig. 23)

Rimuovere il tappo dell'ingranaggio usando una chiave esagonale. (Fig. 24)

Appoggiare l'utensile con l'estremità della punta rivolta in alto. Ciò permette al grasso vecchio di raccogliersi all'interno della scatola dell'ingranaggio. Pulire via il grasso vecchio dall'interno e sostituirlo con grasso nuovo (30g). Usare soltanto grasso per martello Makita genuino (accessorio opzionale). Il rabbocco con una quantità di grasso maggiore di quella specificata (circa 30g) potrebbe causare una martellatura difettosa o un guasto dell'utensile. Usare perciò soltanto la quantità di grasso specificata. Rimettere a posto il tappo dell'ingranaggio e stringerlo con la chiave esagonale. (Fig. 25)

Collegare il connettore e reinstallare il manico. (Fig. 26)

ATTENZIONE:

- Fare attenzione a non danneggiare i terminali o i fili elettrici, soprattutto quando si toglie il grasso vecchio o si installa il manico.
- Non stringere eccessivamente il tappo dell'ingranaggio. Esso è di resina e potrebbe rompersi.

Per mantenere la sicurezza e l'affidabilità del prodotto, le riparazioni, la manutenzione o le regolazioni dovrebbero essere eseguite da un centro di assistenza Makita autorizzato.

Verklaring van algemene gegevens

1 Boorvet	12 Losdraaien	22 Kap van koolborstelhouder
2 Boorschacht	13 Vastdraaien	23 Dop van koolborstelhouder
3 Boor	14 Zijgreep	24 Schroeven
4 Boorkopdeksel	15 Trekschakelaar	25 Aansluitkleem
5 Wisselhefboom	16 Afsteldraaiknop	26 Zwart
6 Schakelhefboom	17 Klemschroef	27 Wit
7 “Boren plus hameren” symbool	18 Dieptemaat	28 Carterdop
8 Vergrendelknop	19 Spanning-INGESCHAKELD controlelampje (groen)	29 Zeskantsleutel
9 Wijzer	20 Slijtage-controlelampje (rood)	30 Smeervet voor hamermechanisme
10 “Alleen hameren” symbool	21 Schroevendraaier	31 Boorkop

TECHNISCHE GEGEVENS

Model **HR3000C**

Capaciteiten

Boor met wolframcarbide punt	30 mm
Kernboor	90 mm
Hout	30 mm
Staal	13 mm
Toerental onbelast (omw/min)	360 – 720
Slagen per minuut	1 650 – 3 300
Totale lengte	391 mm
Netto gewicht	4,8 kg

- In verband met ononderbroken research en ontwikkeling behouden wij ons het recht voor bovenstaande technische gegevens te wijzigen zonder voorafgaande kennisgeving.
- Opmerking: De technische gegevens kunnen van land tot land verschillen.

Stroomvoorziening

De machine mag alleen worden aangesloten op een stroombron van hetzelfde voltage als aangegeven op de naamplaat, en kan alleen op enkel-fase wisselstroom worden gebruikt. De machine is dubbel-geïsoleerd volgens de Europese standaard en kan derhalve ook op een niet-geaard stopcontact worden aangesloten.

Veiligheidswenken

Voor uw veiligheid dient u de bijgevoegde Veiligheidsvoorschriften nauwkeurig op te volgen.

**AANVULLENDE
VEILIGHEIDSVOORSCHRIFTEN**

1. **Draag een hard hoofddekseel (veiligheidshelm), een veiligheidsbril en/of gezichtsbescherming. Het is ook tenzeerste aan te bevelen dat u een stofmasker, oorbeschermers en dikke handschoenen draagt.**
2. **Controleer of de boor goed vastgezet is alvorens de machine te bedienen.**
3. **Tijdens normale bediening is de machine aan trillingen onderhevig, zodat de schroeven gemakkelijk kunnen loskomen, met een defect of ongeluk als mogelijk gevolg. Controleer vóór het gebruik zorgvuldig of alle schroeven goed vastzitten.**
4. **Laat de machine enkele minuten onbelast warmdraaien wanneer het koud weer is of wanneer de machine langere tijd niet werd gebruikt. Hierdoor zal het smeermiddel vloeibaar worden. Hameren is moeilijk indien de machine niet goed warmgedraaid is.**

5. **Zorg ervoor dat u altijd stevige steun voor de voeten hebt. Controleer of er zich niemand onder u bevindt wanneer u de machine op een hoge plaats gaat gebruiken.**
6. **Houd de machine stevig met beide handen vast.**
7. **Houd uw handen uit de buurt van bewegende onderdelen.**
8. **Laat de machine niet achter terwijl deze nog in bedrijf is. Bedien de machine alleen wanneer u deze met beide handen vasthoudt.**
9. **Richt de machine tijdens het gebruik niet op personen die zich in de nabije omgeving bevinden. De boor zou los kunnen raken en ernstige verwondingen veroorzaken.**
10. **Wanneer u boort of beitel in muren, vloeren of andere plaatsen waar er kans is dat u op elektrische kabels stoot die onder spanning staan, GEEN VAN DE METALEN ONDERDELEN VAN DE MACHINE AANRAKEN! Om een elektrische schok te voorkomen wanneer u per ongeluk op een onder spanning staande kabel boort of beitel, dient u de machine uitsluitend bij de geïsoleerde handgrepen vast te houden.**
11. **De boor of onderdelen in de nabije omgeving van de boor niet aanraken onmiddellijk na gebruik; deze kunnen erg heet zijn en brandwonden veroorzaken.**

BEWAAR DEZE VOORSCHRIFTEN.

BEDIENINGSVOORSCHRIFTEN

Installeren of verwijderen van de boor

Belangrijk:
Controleer altijd of de machine is uitgeschakeld en de stekker uit het stopcontact is getrokken, alvorens de boor te installeren of te verwijderen.

Reinig de boorschacht en smeer er boorvet (bijgeleverd) op alvorens de boor te installeren. (Fig. 1)

Steek de boor in de machine. Draai de boor en duw deze naar binnen tot zij vergrendelt. (Fig. 2)

Indien de boor niet naar binnen kan worden geduwd, dient u deze eruit te nemen en het boorkopdeksel enkele keren omlaag te trekken. Steek dan de boor opnieuw erin. Draai de boor en duw deze naar binnen tot zij vergrendelt. (Fig. 3)

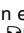
Nadat de boor is geïnstalleerd, moet u altijd controleren of de boor goed vastzit door te proberen hem eruit te trekken.

Om de boor te verwijderen, trekt u het boorkopdeksel helemaal omlaag en dan trekt u de boor eruit. (Fig. 4)

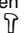
Kiezen van de gewenste werking

Om een bepaalde werking te selecteren, dient u eerst de wisselhefboom en de schakelhefboom in de positie afgebeeld in **Fig. 5** te zetten. Ga daarna als volgt te werk.


Boren plus hameren (Fig. 6 en 7)

Voor boren in beton, metselwerk e.d., drukt u de vergrendelknop in en draait u de wisselhefboom zodat de wijzer naar het  symbool wijst. Gebruik een boor met een wolframcarbide punt.

Alleen hameren (Fig. 6 en 8)

Voor beitelen, afbikken of slopen, drukt u de vergrendelknop in en draait u de wisselhefboom zodat de wijzer naar het  symbool wijst. Gebruik een bull point, koudbeitel, bikbeitel, enz.

Alleen boren (Fig. 6 en 9)

Voor boren in hout, metaal of plastic materialen, draait u de schakelhefboom zodat het  symbool op één lijn komt met de wijzer op de wisselhefboom. Gebruik een spiraalboor of een houtboor.


LET OP:

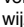
- Wijzig de positie van de wisselhefboom en/of de schakelhefboom niet terwijl de machine nog belast draait, aangezien de machine daardoor beschadigd zal raken.
- Om vroegtijdige slijtage van het wisselmechanisme te voorkomen, dient u de wisselhefboom en/of de schakelhefboom altijd juist in een van de drie werkingsposities te zetten.
- De werkingspositie kan niet direct van “alleen hameren” naar “alleen boren” en niet direct van “alleen boren” naar “alleen hameren” worden veranderd. Zet de wisselhefboom en de schakelhefboom eerst in de “boren plus hameren” positie afgebeeld in **Fig. 5**. Zet deze daarna in de positie voor “alleen hameren” of “alleen boren”.

Boorhoek (voor beitelen, afbikken of slopen)

Belangrijk:

Controleer altijd of de machine is uitgeschakeld en de stekker uit het stopcontact is getrokken, alvorens de boorhoek te wijzigen.

De boor kan bij 12 verschillende hoeken worden vastgezet. Om de boorhoek te wijzigen, drukt u de vergrendelknop in en draait u de wisselhefboom zodat de wijzer naar het  symbool wijst. Draai de boor naar de gewenste hoek. (**Fig. 10**)

Druk de vergrendelknop in en draai de wisselhefboom zodat de wijzer naar het  symbool wijst.

Draai daarna de boor een beetje om te controleren of deze goed vastzit. (**Fig. 11**)

Zijgreep (Fig. 12)

LET OP:

- Om een veilige bediening te verzekeren, dient u de zijgreep altijd te gebruiken wanneer u gaat boren in beton, metselwerk, enz.
- Wanneer de boor door het beton heenkomt of op betonijzer stuit, kan de machine gevaarlijk vooruit- of terugschieten. Bewaar daarom tijdens het boren een goede balans en een stevige steun voor de voeten, en houd de machine met beide handen stevig vast.

De zijgreep kan naar beide zijden van de machine worden gedraaid, zodat de machine in elke positie gemakkelijk te hanteren is. Draai de zijgreep naar links los, draai hem naar de gewenste stand en draai hem vervolgens naar rechts vast.

Werking van de schakelaar (Fig. 13)

LET OP:

Alvorens de stekker op een stopcontact aan te sluiten, dient u altijd te controleren of de trekschakelaar goed werkt en bij loslaten naar de “OFF” positie terugkeert.

Om de machine te starten, drukt u de trekschakelaar gewoon in. Laat de trekschakelaar los om te stoppen.

Afstellen van de draaisnelheid (Fig. 14)


U kunt het aantal omwentelingen en slagen per minuut wijzigen door de afsteldraaiknop te verdraaien. De cijfers op de draaiknop geven de draaisnelheid aan van 1 (minimum) tot 6 (maximum). Raadpleeg de onderstaande tabel voor de verhouding tussen de cijfers op de draaiknop en het aantal omwentelingen/slagen per minuut.

Cijfers op draaiknop	Omwentelingen per minuut	Slagen per minuut
6	720	3 300
5	690	3 150
4	590	2 700
3	490	2 250
2	390	1 800
1	360	1 650

Hamerboren (Fig. 15)

LET OP:

Wanneer de boor door het beton heenkomt of op betonijzer stuit, kan de machine gevaarlijk vooruit- of terugschieten. Bewaar daarom tijdens het boren een goede balans en een stevige steun voor de voeten, en houd de machine met beide handen stevig vast.

Zet de wisselhefboom en de schakelhefboom in de  positie. Plaats de punt van de boor op de plaats waar geboord moet worden en druk dan de trekschakelaar in. Forceer de machine niet. Een lichte druk geeft de beste resultaten. Houd de machine stevig op zijn plaats en zorg dat deze niet uit het boorgat wegslipt.

Oefen geen grotere druk uit op de machine wanneer het gat vol raakt met boorspanen of gruis. Laat in plaats daarvan de machine onbelast draaien en verwijder deze uit het gat. Door dit enkele keren te herhalen wordt het gat gezuiverd.


Koppelbegrenzer

De koppelbegrenzer wordt geactiveerd wanneer een bepaald koppel wordt bereikt. De motor wordt dan ontkoppeld van de uitgangas. Wanneer dit gebeurt, zal de boor ophouden met draaien.

LET OP:


Schakel de machine uit zodra de koppelbegrenzer wordt geactiveerd. Hierdoor wordt vroegtijdige slijtage van de machine voorkomen.

Beitelen/Afbikken/Slopen (Fig. 16)

Zet de wisselhefboom en de schakelhefboom in de  positie. Houd de machine met beide handen stevig vast. Schakel de machine in en oefen niet meer druk uit op de machine dan nodig is om deze onder controle te houden. Door grote kracht op de machine uit te oefenen verloopt het werk niet sneller.

Boren (Fig. 17)

Gebruik de los verkrijgbare boorkopmontage. Om deze te monteren, zie "Aanbrengen of verwijderen van de boor" op de vorige pagina. U kunt nu boren tot een diameter van maximaal 13 mm in metaal en een diameter van maximaal 30 mm in hout.

Zet de wisselhefboom en de schakelhefboom in de  positie.

- Boren in hout
Voor boren in hout krijgt u de beste resultaten met houtboren die voorzien zijn van een geleideschroef. Het boren gaat dan gemakkelijker aangezien de geleideschroef de boor in het hout trekt.

- Boren in metaal
Wanneer u begint te boren, gebeurt het vaak dat de boor slipt. Om dit te voorkomen, slaat u van tevoren met een drevel een deukje in het metaal op de plaats waar u wilt boren. Plaats vervolgens de boor in het deukje en start het boren.

Gebruik altijd boorolie wanneer u in metaal boort. De enige uitzonderingen is koper dat droog geboord dient te worden.

LET OP:

- Door overmatige druk op het gereedschap uit te oefenen verloopt het boren niet sneller. Integendeel, teveel druk op het gereedschap zal alleen maar de boorpunt beschadigen, de prestatie van het gereedschap verminderen en de gebruiksduur verkorten.
- Gebruik nooit "roteren met hameren" wanneer de boorkop op het gereedschap is gemonteerd. De boorkop kan hierdoor namelijk beschadigd raken.

Dieptemaat (Fig. 18)

De dieptemaat is handig voor het boren van gaten van gelijke diepte. Draai de klemschroef los, stel de dieptemaat af op de gewenste diepte, en draai dan de klemschroef weer stevig vast.

OPMERKING:

De dieptemaat kan niet worden gebruikt in de positie waar deze tegen het tandwielhuis/motorhuis aanstoot.

Controlelampje (Fig. 19)

Het groene spanning-INGESCHAKELD controlelampje gaat aan wanneer de machine wordt INGESCHAKELD. Indien het controlelampje brandt maar de machine niet start, zijn de koolborstels mogelijk versleten of is er een defect in de elektrische keten of de motor. Indien het controlelampje niet aangaat en de machine niet start, is de AAN/UIT schakelaar of het netsnoer mogelijk defect.

Het rode slijtage-controlelampje gaat aan wanneer de koolborstels bijna versleten zijn, om aan te geven dat de machine een onderhoudsbeurt nodig heeft. Na ongeveer 8 gebruiksuren zal de motor automatisch afslaan.

ONDERHOUD

LET OP:

Zorg er altijd voor dat de machine is uitgeschakeld en de stekker uit het stopcontact is verwijderd alvorens onderhoud aan de machine uit te voeren.

Vervangen van de koolborstels (Fig. 20 en 21)

Wanneer de koolborstels aan vervanging toe zijn, wordt de machine automatisch uitgeschakeld. Wanneer dit gebeurt, gaat u als volgt te werk. Verwijder de borgschroeven van de borstelhouderkap en verwijder de borstelhouderkap en dop van koolborstelhouder. Vervang dan beide koolborstels tegelijkertijd. Gebruik uitsluitend identieke koolborstels.

Smeren

Deze machine hoeft niet om het uur of dagelijks te worden gesmeerd, aangezien zij voorzien is van een met vet gevuld smeersysteem. Smeer de machine telkens wanneer de koolborstels worden vervangen.

Laat de machine enkele minuten warmdraaien. Schakel dan de machine uit en trek de stekker uit het stopcontact. Draai de zes schroeven los en verwijder de handgreep. Let erop dat de bovenste schroeven verschillen van de andere schroeven. (Fig. 22)

Trek aan de aansluitklem om deze los te maken. (Fig. 23) Verwijder de carterdop met behulp van een zeskantsleutel. (Fig. 24)

Plaats de machine op een tafel met de boorpunt naar boven, zodat het oude smeervet in het carter wordt verzameld. Verwijder dit oude smeervet en vervang het door vers smeervet (30 g). Gebruik uitsluitend origineel Makita smeervet voor hamermechanismen (los verkrijgbaar). Indien u meer dan de voorgeschreven hoeveelheid smeervet (ongeveer 30 g) bijvult, kunnen storingen optreden in het hameren of in de werking van de machine. Vul daarom niet meer smeervet bij dan de voorgeschreven hoeveelheid. Breng de carterdop weer aan en draai deze vast met de zeskantsleutel. (Fig. 25)

Sluit de aansluitklem aan en breng de handgreep opnieuw aan. (Fig. 26)

LET OP:

- Pas op dat u de aansluitklemmen of de leidingdraden niet beschadigt. Wees vooral voorzichtig tijdens het verwijderen van het oud smeervet en het aanbrengen van de handgreep.
- Draai de carterdop niet te vast aan. Deze is gemaakt van hars en is derhalve breekbaar.

Opdat de machine veilig en betrouwbaar blijft, dienen alle reparaties, onderhoud of afstellingen te worden uitgevoerd bij een erkend Makita service centrum.

Explicación de los dibujos

1 Grasa para el implemento	11 Símbolo de "giro solamente"	21 Destornillador
2 Espiga del implemento	12 Aflojar	22 Cubierta del portaescobillas
3 Implemento	13 Apretar	23 Tapón del portaescobillas
4 Cubierta del mandril	14 Empuñadura lateral	24 Tornillos
5 Palanca de cambio de modo de accionamiento	15 Gatillo interruptor	25 Conector
6 Palanca de conmutación	16 Dial de ajuste	26 Negro
7 Símbolo de "giro con martilleo"	17 Tornillo de fijación	27 Blanco
8 Botón de bloqueo	18 Medidor de profundidad	28 Tapón del cárter
9 Puntero	19 Lámpara (verde) indicadora de encendido	29 Llave hexagonal
10 Símbolo de "martilleo solamente"	20 Lámpara (roja) indicadora de servicio	30 Grasa para martillo
		31 Mandril

ESPECIFICACIONES

Modelo	HR3000C
Capacidades	
Broca de punta de carburo de tungsteno	30 mm
Broca de núcleo	90 mm
Madera	30 mm
Acero	13 mm
Velocidad en vacío (RPM)	360 – 720
Percusiones por minuto	1.650 – 3.300
Longitud total	391 mm
Peso neto	4,8 kg

- Debido a un programa continuo de investigación y desarrollo, las especificaciones aquí dadas están sujetas a cambios sin previo aviso.
- Nota: Las especificaciones pueden ser diferentes de país a país.

Alimentación

La herramienta ha de conectarse solamente a una fuente de alimentación de la misma tensión que la indicada en la placa de características, y sólo puede funcionar con corriente alterna monofásica. El sistema de doble aislamiento de la herramienta cumple con la norma europea y puede, por lo tanto, usarse también en enchufes hembra sin conductor de tierra.

Sugerencias de seguridad

Para su propia seguridad, consulte las instrucciones de seguridad incluidas.

NORMAS DE SEGURIDAD ADICIONALES

1. Utilice un casco de seguridad, gafas de seguridad y/o protector facial. También es altamente recomendado que utilice una mascarilla contra el polvo, tapones para los oídos y guantes gruesos almohadillados.
2. Asegúrese de que el implemento esté bien asegurado en su lugar antes de la operación.
3. En condiciones de operación normal, la máquina está diseñada para producir vibraciones. Los tornillos pueden aflojarse fácilmente, pudiendo provocar una rotura o accidente. Compruebe el apriete de los tornillos antes de realizar la operación.

4. En climas fríos o cuando la herramienta no se haya usado durante mucho tiempo, deje que ésta se caliente durante algunos minutos haciéndola funcionar en vacío. Esto pondrá a punto la lubricación. Sin el calentamiento adecuado, la operación de martilleo será difícil.
5. Asegúrese siempre de que el suelo bajo sus pies sea firme. Cerciórese de que no haya nadie debajo cuando utilice la herramienta en lugares altos.
6. Sostenga la herramienta firmemente con ambas manos.
7. Mantenga las manos alejadas de las piezas giratorias.
8. No deje la herramienta en funcionamiento. Opere la herramienta solamente cuando la sostenga con las manos.
9. No apunte con la herramienta a nadie que se encuentre en el lugar de trabajo cuando la esté operando. El implemento podrá salir despedido y herir seriamente a alguien.
10. Cuando taladre o pique paredes, suelos o lugares donde haya la posibilidad de que existan cables eléctricos con corriente, ¡NO TOQUE NINGUNA PIEZA METÁLICA DE LA HERRAMIENTA! Sostenga la herramienta por las partes de manipulación aisladas para evitar recibir una descarga eléctrica en caso de perforar un cable con corriente.
11. No toque el implemento o las partes cercanas al mismo inmediatamente después de haber efectuado la operación; pueden estar muy calientes y producirle quemaduras en la piel.

GUARDE ESTAS INSTRUCCIONES.

INTRUCCIONES PARA EL FUNCIONAMIENTO

Instalación o extracción del implemento

Importante:

Asegúrese siempre de que la máquina esté desconectada y desenchufada antes de instalar o extraer el implemento.

Limpie la espiga del implemento y aplique la grasa para implemento provista antes de instalarlo. (Fig. 1)

Introduzca el implemento en la herramienta. Gire el implemento y empujelo hacia dentro hasta que se acople. (Fig. 2)

Si el implemento no puede empujarse hacia adentro, retírelo. Tire de la cubierta del mandril hacia abajo unas cuantas veces. Luego vuelva a introducir el implemento. Gire el implemento y empujelo hacia dentro hasta que se acople. (Fig. 3)


Después de instalar el implemento, trate siempre de sacarlo para asegurarse de que haya quedado bien sujeto en su lugar.

Para extraer el implemento, tire de la cubierta del mandril hacia abajo todo lo que dé de sí y saque el implemento. (Fig. 4)


Selección del modo de accionamiento

Cuando seleccione el modo de accionamiento, ponga primero la palanca de cambio de modo de accionamiento y la palanca de conmutación en la posición mostrada en la Fig. 5. Luego prosiga como se indica a continuación.

Giro con martilleo (Fig. 6 y 7)

Para taladrar en hormigón, cemento, etc., presione el botón de bloqueo y gire la palanca de cambio de accionamiento de manera que el puntero apunte al símbolo . Emplee una broca de punta de carbono de tungsteno.

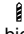
Sólo martilleo (Fig. 6 y 8)

Para picar, desincrustar o demoler, presione el botón de bloqueo y gire la palanca de cambio de modo de accionamiento de manera que el puntero apunte al símbolo . Emplee un implemento para picar, cortafrío, desincrustador, etc.

PRECAUCIÓN:

- No gire la palanca de cambio de modo de accionamiento estando la herramienta funcionando con carga. La herramienta se dañará.
- Para evitar que el mecanismo de cambio de modo de accionamiento se desgaste rápidamente, asegúrese de que la palanca de cambio esté siempre situada positivamente en una de las dos posiciones de modo de accionamiento.

Giro solamente (Fig. 6 y 9)

Para taladrar madera, metal o materiales de plástico, gire la palanca de conmutación de manera que el símbolo  quede alineado con el puntero de la palanca de cambio de modo de accionamiento. Utilice una broca helicoidal o broca para madera.

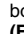
PRECAUCIÓN:

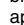
- No gire la palanca de cambio de modo de accionamiento y/o la palanca de conmutación cuando la herramienta esté funcionando con carga. La herramienta se dañará.
- Para evitar que el mecanismo de cambio de modo de accionamiento se desgaste prematuramente, asegúrese de que la palanca de cambio de modo de accionamiento y/o la palanca de conmutación esté siempre ubicada positivamente en una de las tres posiciones de modo de accionamiento.
- El modo de accionamiento no se puede cambiar directamente de “martilleo solamente” a “giro solamente” ni de “giro solamente” a “martilleo solamente”. Ponga primero la palanca de cambio de modo de accionamiento y la palanca de conmutación en la posición de “giro con martilleo” mostrada en la Fig. 5. Luego póngalas en la posición de “martilleo solamente” o “giro solamente”.

Angulo del implemento (para picar, desincrustar o demoler)

Importante:

Asegúrese siempre de que la herramienta esté desconectada y desenchufada antes de cambiar el ángulo del implemento.

El implemento puede asegurarse en 12 ángulos diferentes. Para cambiar el ángulo, presione el botón de bloqueo y gire la palanca de cambio de modo de accionamiento de manera que el puntero apunte al símbolo . Gire el implemento hasta el ángulo deseado. (Fig. 10)

Presione el botón de bloqueo y gire la palanca de cambio de modo de accionamiento de manera que el puntero apunte al símbolo .

Luego asegúrese de que el implemento esté bien sujeto en su lugar girándolo ligeramente. (Fig. 11)

Empuñadura lateral (Fig. 12)

PRECAUCIÓN:

- Cuando taladre hormigón, cemento, etc., utilice siempre la empuñadura lateral para trabajar con seguridad.
- Cuando la broca comience a penetrar en el hormigón o si se topa con varillas de refuerzo dentro del hormigón, la herramienta podrá reaccionar peligrosamente. Conserve un buen equilibrio y ponga los pies en una posición segura mientras sostiene firmemente la herramienta con ambas manos para evitar reacciones peligrosas.

La empuñadura lateral puede girarse hacia los lados, permitiendo un manejo fácil de la herramienta en cualquier posición. Afloje la empuñadura lateral girándola hacia la izquierda, póngala en la posición deseada y luego apríetela girándola hacia la derecha.

Accionamiento del interruptor (Fig. 13)

PRECAUCIÓN:

Antes de enchufar la herramienta, compruebe siempre para ver si el interruptor de gatillo se acciona correctamente y regresa a la posición “OFF” cuando se libera.

Para encender la herramienta, simplemente presione el gatillo. Suelte el gatillo para apagar la herramienta.

Cambio de velocidad (Fig. 14)


Las revoluciones y las percusiones por minuto pueden ajustarse girando el dial de ajuste. El dial está marcado con los números 1 (velocidad más baja) a 6 (velocidad máxima). Consulte la tabla de abajo para ver la relación que hay entre el número ajustado y las revoluciones/percusiones por minuto.

Número del dial de ajuste	Revoluciones por minuto	Percusiones por minuto
6	720	3.300
5	690	3.150
4	590	2.700
3	490	2.250
2	390	1.800
1	360	1.650

Operación de taladrado con percusión (Fig. 15)

PRECAUCIÓN:

Cuando la broca comience a penetrar en el hormigón o si se topa con varillas de refuerzo dentro del hormigón, la herramienta podrá reaccionar peligrosamente. Conserve un buen equilibrio y ponga los pies en una posición segura mientras sostiene firmemente la herramienta con ambas manos para evitar reacciones peligrosas.

Ponga la palanca de cambio de modo de accionamiento y la palanca de conmutación en el símbolo . Posicione la broca en el lugar donde vaya a practicar el agujero, luego presione el gatillo. No fuerce la herramienta. Los mejores resultados se obtienen con una ligera presión. Sujete la herramienta en posición y evite que se mueva del agujero.

No aplique mayor presión cuando el agujero quede atascado con virutas o partículas. Sí, en cambio, ponga la herramienta en marcha mínima, y luego saque parcialmente la broca del agujero. Repitiendo esta operación varias veces, el agujero quedará limpio.

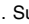
Limitador de torsión

El limitador de torsión se acciona cuando se alcanza cierto nivel de torsión. El motor se desacoplará del eje motriz. Cuando se dé el caso, la broca dejará de girar.

PRECAUCIÓN:


Cuando se accione el limitador de torsión, apague la herramienta inmediatamente. Esto ayudará a evitar un desgaste prematuro de la herramienta.

Para picar/desincrustar/demoler (Fig. 16)

Ponga la palanca de cambio de modo de accionamiento y la palanca de conmutación en el símbolo . Sujete la herramienta firmemente con ambas manos. Encienda la herramienta y aplique una ligera presión sobre ella de manera que no rebote de forma incontrolada. Ejerciendo mucha presión sobre la herramienta no se aumentará la eficiencia.

Operación de taladrado (Fig. 17)

Utilice el conjunto de mandril opcional. Cuando lo instale, consulte "Instalación o extracción de la broca" descrita en la página anterior. Podrá perforar agujeros de hasta 13 mm de diámetro en metal y agujeros de hasta 30 mm de diámetro en madera.

Ponga la palanca de cambio de modo de accionamiento y la de conmutación en la posición del símbolo .

- Para taladrar madera
Cuando se taladre madera, los mejores resultados se obtendrán con brocas para madera equipadas con tornillo guía. El tornillo guía facilita el taladrado al tirar de la broca hacia el interior de la pieza de trabajo.
- Para taladrar metal
Para evitar que la broca resbale al comenzar a taladrar, haga una mella con un punzón y martillo en el punto donde vaya a taladrar. Coloque la punta de la broca en la mella y comience a taladrar.
Emplee un lubricante para operaciones de corte cuando taladre metales. Las excepciones es latón que deberá ser taladrado en seco.

PRECAUCIÓN:

- Con ejercer una presión excesiva sobre la herramienta no conseguirá taladrar más de prisa. De hecho, esta presión excesiva sólo servirá para dañar la punta de la broca, disminuir el rendimiento de la herramienta y acortar su vida útil.
- Nunca use "rotación con martilleo" cuando el conjunto del mandril esté instalado en la herramienta. El conjunto del mandril podría estropearse.

Medidor de profundidad (Fig. 18)

El medidor de profundidad es útil para taladrar agujeros de profundidad uniforme. Afloje el tornillo de fijación y ajuste el medidor de profundidad a la profundidad deseada. Después de ajustar la profundidad, apriete firmemente el tornillo de fijación.

NOTA:

El medidor de profundidad no puede utilizarse en la posición donde golpea contra el alojamiento de engranajes/alojamiento del motor.

Lámpara indicadora (Fig. 19)

La lámpara verde indicadora de encendido se enciende cuando se pone en marcha la herramienta. Si la lámpara indicadora se enciende pero la herramienta no se pone en marcha, las escobillas de carbón podrán estar desgastadas, o el circuito eléctrico o el motor podrá tener algún fallo. Si la lámpara indicadora no se enciende y la herramienta no se pone en marcha, el interruptor de gatillo o el cable de alimentación podrán tener algún fallo.

La lámpara roja indicadora de servicio se enciende cuando las escobillas de carbón están casi desgastadas para indicar que la herramienta necesita servicio. Después de aproximadamente 8 horas de uso, el motor se parará automáticamente.

MANTENIMIENTO

PRECAUCIÓN:

Asegúrese siempre de que la herramienta esté desconectada y desenchufada antes de realizar ninguna reparación en ella.

Reemplazo de las escobillas de carbón

(Fig. 20 y 21)

Cuando haya que reemplazar las escobillas de carbón, éstas pararán la herramienta automáticamente. Cuando se dé el caso, retire los tornillos que sujetan la cubierta del portaescobillas. Retire la cubierta del portaescobillas y tapón del portaesco. Luego, reemplace ambas escobillas de carbón al mismo tiempo. Emplee solamente escobillas de carbón idénticas a las que quita.

Lubricación

Esta herramienta no necesita de un engrase cada cierto número de horas o diario porque está dotada de un sistema de lubricación de engrase integrado. Lubrique la herramienta cada vez que reemplace las escobillas de carbón.

Deje la herramienta encendida durante unos minutos para que se caliente. Luego apáguela y desenchúfela.

Afloje los seis tornillos y retire el mango. Tenga en cuenta que los tornillos de la parte superior son diferentes a los demás. (Fig. 22)

Desconecte el conector tirando de él. (Fig. 23)

Retire el tapón del cárter con una llave hexagonal.

(Fig. 24)

Coloque la herramienta sobre una mesa con el extremo de la broca apuntando hacia arriba. De esta manera, la grasa vieja se acumulará en el interior de la carcasa del cárter. Limpie la grasa vieja del interior y ponga otra nueva (30 g). Emplee solamente grasa Makita genuina para martillo (accesorio opcional). Si pone una cantidad de grasa mayor de la especificada (unos 30 g), podrá causar un martilleo defectuoso o que la herramienta no funcione bien. Eche solamente la cantidad especificada de grasa. Vuelva a colocar el tapón del cárter y apriételo con la llave hexagonal. (Fig. 25)

Conecte el conector y vuelva a instalar el mango.

(Fig. 26)

PRECAUCIÓN:

- Tenga cuidado de no dañar los terminales o cables conductores, especialmente al limpiar la grasa vieja o al instalar el mango.
- No lo apriete demasiado el tapón del cárter. Está hecho de resina y podría romperse.

Para mantener la seguridad y fiabilidad del producto, las reparaciones, el mantenimiento y los ajustes deberán ser realizados por un Centro de Servicio Autorizado de Makita.

Explicação geral

1 Lubrificante para broca	12 Desapertar	21 Chave de parafusos
2 Encaixe da broca	13 Apertar	22 Cobertura do porta-escovas
3 Broca	14 Punho lateral	23 Tampa do porta-escovas
4 Cobertura do mandril	15 Gatilho	24 Parafusos
5 Selector	16 Anel de regulação	25 Conector
6 Alavanca de mudança	17 Parafuso de aperto	26 Preto
7 Símbolo de "Rotação com percussão"	18 Guia de profundidade	27 Branco
8 Botão de bloqueio	19 Lâmpada indicadora de alimentação-ON (verde)	28 Tampa do excêntrico
9 Indicador	20 Lâmpada indicadora de manutenção (vermelha)	29 Chave hexagonal
10 Símbolo de "Só percussão"		30 Lubrificante para martelo
11 Símbolo de "Só rotação"		31 Mandril

ESPECIFICAÇÕES

Modelo HR3000C

Capacidades

Broca de carboneto de tungsténio	30 mm
Broca de coroa	90 mm
Madeira	30 mm
Aço	13 mm
Velocidade em vazio (RPM)	360 – 720
Impactos por minuto	1.650 – 3.300
Comprimento total	391 mm
Peso líquido	4,8 kg

- Devido a um programa contínuo de pesquisa e desenvolvimento, estas especificações podem ser alteradas sem aviso prévio.
- Nota: As especificações podem variar de país para país.

Alimentação

A ferramenta só deve ser ligada a uma fonte de alimentação com a mesma voltagem da indicada na placa de características, e só funciona com alimentação CA monofásica. Tem um sistema de isolamento duplo de acordo com as normas europeias e pode, por isso, utilizar tomadas sem ligação à terra.

Conselhos de segurança

Para sua segurança, leia as instruções anexas.

REGRAS DE SEGURANÇA ADICIONAIS

1. Use um capacete de segurança, óculos de protecção e/ou um protector para a cara. Recomenda-se também a utilização de uma máscara para o pó, protectores de ouvidos e luvas almofadadas.
2. Certifique-se antes da operação de que a broca está bem colocada.
3. A ferramenta vibra em condições normais de funcionamento. Os parafusos podem soltar-se facilmente, provocando uma avaria ou acidente. Verifique cuidadosamente o aperto dos parafusos antes do início do trabalho.
4. No tempo frio ou quando a ferramenta não foi utilizada durante um longo período de tempo, deixe-a aquecer por alguns minutos pondo-a a trabalhar em vazio. Activará a lubrificação. Sem um aquecimento adequado o funcionamento será difícil.

5. Certifique-se sempre de que os seus pés estão em perfeito equilíbrio. Certifique-se de que ninguém está por baixo quando trabalhar em locais altos.
6. Segure na ferramenta firmemente com as duas mãos.
7. Mantenha as mãos afastadas das partes móveis.
8. Não deixe a ferramenta a funcionar senão a estiver a segurar.
9. Não aponte a ferramenta a ninguém próximo quando estiver a trabalhar. A broca pode soltar-se e ferir alguém gravemente.
10. Quando perfurar ou picar paredes, chão ou qualquer superfície onde possa encontrar fios de corrente eléctrica, NÃO TOQUE EM NENHUMA PARTE METÁLICA DA MÁQUINA! Segure na ferramenta pelas pegas isoladas para evitar apagar um choque se tocar nalgum fio "vivo".
11. Não toque na broca ou na peça de trabalho imediatamente depois da operação; podem estar extremamente quentes e pode queimar-se.

GUARDE ESTAS INSTRUÇÕES.

INSTRUÇÕES DE FUNCIONAMENTO

Instalação ou extracção da broca

Importante:

Certifique-se sempre de que a ferramenta está desligada e a ficha retirada da tomada antes de colocar ou retirar a broca.

Limpe o encaixe da broca e aplique o lubrificante da broca fornecido antes de colocar a broca. (Fig. 1)

Coloque a broca na ferramenta. Rode a broca e empurre-a até que fique presa. (Fig. 2)

Se não conseguir empurrar a broca, retire-a. Puxe para baixo algumas vezes a cobertura do mandril. Em seguida volte a colocar a broca. Rode a broca e empurre-a até que fique presa. (Fig. 3)


Depois da colocação, certifique-se sempre de que a broca está bem presa no lugar tentado tirá-la.

Para retirar a broca, empurre a cobertura do mandril completamente para baixo e retire a broca. (Fig. 4)

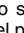
Seleção do modo de funcionamento

Quando selecciona um modo de acção, coloque primeiro o selector e a alavanca de mudança na posição indicada na Fig. 5. Em seguida execute o seguinte.


Rotação com percussão (Fig. 6 e 7)

Para perfurar betão, cimento, etc., pressione o botão de bloqueio e rode o selector de modo a que o indicador aponte para o símbolo . Utilize uma broca de carbono de tungsténio.

Só percussão (Fig. 6 e 8)

Para operações de corte, descasque ou demolição pressione o botão de bloqueio e rode o selector de modo a que o indicador aponte para o símbolo . Utilize uma ponteira, talhadeira a frio, cinzel para encastre, etc.

Só rotação (Fig. 6 e 9)

Para perfurar em madeira, metal ou materiais plásticos, rode a alavanca de mudança de modo a que o símbolo  fique alinhado com o ponteiro no selector. Utilize uma broca espiral ou uma broca para madeira.

PRECAUÇÃO:

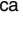
- Não rode o selector e/ou a alavanca de mudança quando a máquina está a rodar com carga. Pode estragar a máquina.
- Para evitar desgaste rápido no mecanismo de mudança de modo, certifique-se de que o selector e/ou a alavanca de mudança estão sempre localizados correctamente num dos três modos de acção.
- O modo de acção não pode ser mudado directamente de “só percussão” para “só rotação” ou de “só rotação” para “só percussão”. Primeiro coloque o selector e a alavanca de mudança na posição do modo “rotação com percussão” indicado na Fig. 5. Em seguida coloque-os na posição “só percussão” ou “só rotação”.

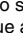
Ângulo da broca

(para cortar, descascar ou demolir)

Importante:

Certifique-se sempre de que a ferramenta está desligada e a ficha retirada da tomada antes de mudar o ângulo da broca.

A broca pode ser presa em 12 ângulos diferentes. Para mudar o ângulo da broca, pressione o botão de bloqueio e rode o selector de modo a que o indicador aponte para o símbolo . Rode a broca para o ângulo desejado. (Fig. 10)

Pressione o botão de bloqueio e rode o selector de modo a que o indicador aponte para o símbolo .

Em seguida certifique-se de que a broca está bem presa rodando-a ligeiramente. (Fig. 11)

Punho lateral (Fig. 12)

PRECAUÇÃO:

- Para uma operação segura utilize sempre o punho lateral quando perfura betão, pedra, etc.
- Quando a ferramenta começa a partir betão ou se a broca bater num varão reforçado dentro do betão, a ferramenta pode reagir perigosamente. Mantenha-se em equilíbrio e com os pés bem assentes e pegando na ferramenta firmemente com as duas mãos para evitar uma reacção perigosa.

O punho lateral roda à volta para qualquer lado, permitindo um fácil manuseamento da ferramenta em qualquer posição. Liberte o punho lateral rodando-o no sentido oposto ao dos ponteiros do relógio, coloque-o na posição desejada e em seguida aperte-o rodando-o no sentido dos ponteiros do relógio.

Acção do interruptor (Fig. 13)

PRECAUÇÃO:

Antes de ligar a ferramenta à corrente verifique sempre se o gatilho do interruptor funciona adequadamente e volta para a posição “OFF” quando libertado.

Para ligar a ferramenta carregue simplesmente no gatilho. Liberte o gatilho para parar.

Mudança de velocidade (Fig. 14)


As rotações e impactos por minuto podem ser ajustadas rodando simplesmente o anel de regulação. O anel está marcado de 1 (velocidade mais baixa) a 6 (máxima velocidade). Refira-se à tabela abaixo para a relação entre o número ajustado no anel e o número de rotações/impactos por minuto.

Número no anel de regulação	Rotações por minuto	Impactos por minuto
6	720	3.300
5	690	3.150
4	590	2.700
3	490	2.250
2	390	1.800
1	360	1.650

Operação de perfuração com martelo (Fig. 15)

PRECAUÇÃO:

Quando a ferramenta começa a partir betão ou se a broca bater num varão reforçado dentro do betão, a ferramenta pode reagir perigosamente. Mantenha-se em equilíbrio e com os pés bem assentes e pegando na ferramenta firmemente com as duas mãos para evitar uma reacção perigosa.

Coloque o selector e a alavanca de mudança no símbolo . Posicione a broca no local a furar e carregue no gatilho. Não force a ferramenta. Obtem melhores resultados com pressão ligeira. Mantenha a ferramenta na posição e evite que saia do orifício.

Não exerça mais pressão quando o buraco ficar bloqueado com aparas ou partículas. Nesse caso, funcione com a ferramenta de lado e em seguida retire-a do orifício. Repetindo este procedimento várias vezes o orifício ficará limpo.


Limitador do binário

O limitador do binário actuará quando é atingido um certo nível do binário. O motor desengata-se do eixo de saída. Quando isto acontece, a broca pára de rodar.

PRECAUÇÃO:


Assim que o limitador do binário actuar, desligue imediatamente a ferramenta. Isto evitará desgaste prematuro da ferramenta.

Corte/Descasque/Demolição (Fig. 16)

Coloque o selector e a alavanca de mudança no símbolo . Pegue na ferramenta firmemente com as duas mãos. Ligue a ferramenta e exerça uma ligeira pressão na ferramenta de modo a que não salte, descontrolada. Pressão demasiada não aumentará a eficiência.

Operação de perfuração (Fig. 17)

Utilize o conjunto opcional de mandril. Quando o instalar, veja as instruções em "Colocação e extração da broca" descritas anteriormente. Pode perfurar até 13 mm de diâmetro em metal e até 30 mm de diâmetro em madeira.

Coloque o selector e a alavanca de mudança no símbolo .

- Em madeira
Quando perfurar madeira obterá melhores resultados se utilizar uma broca equipada com uma guia. A guia facilita a perfuração, dirigindo a broca na superfície de trabalho.
- Em metal
Para evitar que a broca resvale quando estiver a iniciar a perfuração, faça uma marca com um punção e um martelo no ponto onde deseje perfurar. Coloque a ponta da broca na marca e comece a perfuração. Quando perfurar metais utilize um lubrificante, excepto em latão que deve ser perfurado a seco.

PRECAUÇÃO:

- Não acelerará a perfuração se exercer demasiada pressão na ferramenta. Se o fizer, poderá danificar a ponta da broca, diminuir o rendimento e encurtar o tempo de vida útil da ferramenta.
- Nunca utilize "rotação com martelo" quando o conjunto do mandril está colocado na ferramenta. O conjunto do mandril pode estragar-se.

Guia de profundidade (Fig. 18)

A guia de profundidade é conveniente para perfurar orifícios com profundidade uniforme. Desaperte a porca de fixação e regule a guia de profundidade para a profundidade desejada. Depois de ajustar aperte seguramente a porca de fixação.

NOTA:

A guia de profundidade não pode ser utilizada na posição onde toca na caixa do motor/velocidades.

Lâmpada indicadora (Fig. 19)

A lâmpada indicadora verde de alimentação acende-se quando liga a ferramenta. Se a lâmpada indicadora estiver acesa e a ferramenta não começar a funcionar, as escovas de carvão podem estar gastas ou o circuito eléctrico ou o motor estragados. Se a lâmpada indicadora não se acender e a ferramenta não começar a funcionar, o interruptor ON/OFF ou o cabo da alimentação podem estar estragados.

A lâmpada vermelha indicadora de manutenção acende-se quando as escovas de carvão estão quase gastas para indicar que a ferramenta necessita de manutenção. Depois de aproximadamente 8 horas o motor pára automaticamente.

MANUTENÇÃO

PRECAUÇÃO:

Certifique-se sempre de que a ferramenta está desligada e a ficha retirada da tomada antes de efectuar qualquer inspeção e manutenção.

Substituição das escovas de carvão (Fig. 20 e 21)

Quando as escovas de carvão necessitam de ser substituídas, estas páram a ferramenta automaticamente. Quando isto ocorrer, retire os parafusos que prendem a cobertura do porta-escovas. Retire a cobertura do porta-escovas e tampa do porta-escovas. Em seguida substitua ambas as escovas de carvão ao mesmo tempo. Utilize apenas escovas de carvão iguais.

Lubrificação

Esta ferramenta não necessita de lubrificação frequente ou diária porque tem um sistema de lubrificação incorporado. Lubrifique a ferramenta sempre que substituir as escovas de carvão.

Ponha a ferramenta a funcionar durante uns minutos para aquecer. Desligue-a e retire a ficha da tomada.

Desaperte os seis parafusos e retire a pega. Note que os parafusos superiores são diferentes dos outros. **(Fig. 22)** Desligue o conector puxando-o. **(Fig. 23)**

Retire a tampa do excêntrico com uma chave hexagonal. **(Fig. 24)**

Coloque a ferramenta sobre uma bancada com a ponta da broca virada para cima. Isto fará com que o lubrificante usado recolha à caixa do excêntrico. Retire o lubrificante usado e substitua-o por outro novo (30 gr.). Só utilize lubrificante da Makita (acessório opcional). Colocar mais do que a quantidade especificada (aprox. 30 gr.) pode prejudicar o funcionamento ou avariar a ferramenta. Coloque só a quantidade especificada. Volte a colocar a tampa do excêntrico e aperte-a com a chave hexagonal. **(Fig. 25)**

Ligue o conector e volte a colocar a pega. **(Fig. 26)**

PRECAUÇÃO:

- Tenha cuidado para não estragar os terminais ou os fios eléctricos especialmente quando retira o lubrificante usado ou coloca a pega.
- Não aperte excessivamente a tampa do excêntrico. É feita de resina e pode partir-se.

Para salvaguardar a segurança e a fiabilidade do produto, as reparações, manutenção e afinações deverão ser sempre efectuadas por um Centro de Assistência Oficial MAKITA.

Illustrationsoversigt

1 Fedt	11 Symbol for "kun rotation"	21 Skruetrækker
2 Bor/mejsel	12 Løsne	22 Dækplade
3 Bor	13 Stramme	23 Kuldæksel
4 Værktøjsholder	14 Sidegreb	24 Skruer
5 Drejestop	15 Afbryder	25 Konnektor
6 Skiftearm	16 Justeringskive	26 Sort
7 Symbol for "rotation med hammerboring"	17 Blokeringskrue	27 Hvid
8 Låseknop	18 Dybdeanslag	28 Oliedæksel
9 Viser	19 Tændt (Power ON) indikator lampe (grøn)	29 Sekskantsnøgle
10 Symbol for "kun hammerboring"	20 Drifts-indikator lampe (rød)	30 Hammerolie
		31 Borepatron

SPECIFIKATIONER

Model	HR3000C
Kapacitet	
Hammerbor	30 mm
Borekrone	90 mm
Træ	30 mm
Stål	13 mm
Omdrejninger (per minut)	360 – 720
Slagantal per minut	1 650 – 3 300
Længde	391 mm
Vægt	4,8 kg

- Ret til tekniske ændringer forbeholdes.
- Bemærk: Tekniske data kan variere fra land til land.

Netsspænding

Maskinen må kun tilsluttes den netspænding, der er angivet på typeskiltet. Maskinen arbejder på enkeltfaset vekselspænding og er dobbeltisoleret iht. de europæiske normer og må derfor tilsluttes en stikkontakt uden jordtilslutning.

Sikkerhedsforskrifter

For Deres egen sikkerheds skyld bør De sætte Dem ind i sikkerhedsforskrifterne.

YDERLIGERE

SIKKERHEDSBESTEMMELSER

1. Brug sikkerhedshjelm, beskyttelsesbriller og/eller ansigtmaske. Det anbefales også stærkt at anvende støvmaske, høreværn og tykke forede handsker.
2. Sørg for at værktøjet er korrekt monteret før arbejdet påbegyndes.
3. Under normal drift vibrerer værktøjet, således at maskinens skruer kan løsnes og forårsage driftsforstyrrelser eller uheld. Kontrollér før hver brug, at skrueerne er fastspændte.
4. Lad maskinen køre i tomgang i nogle minutter, hvis De ikke har brugt den længe eller hvis den bruges i meget koldt vejr. Derved gør De olien smidig, og maskinen opnår si fulde effekt.
5. Sørg for, at De altid har sikkert fodfæste. Ved brug af maskinen i større højde bør De sikre Dem, at der ikke står personer nedenunder arbejdsområdet.
6. Hold maskinen godt fast med begge hænder.
7. Hold hænderne væk fra roterende dele.
8. Maskinen må ikke køre uden opsyn. Maskinen må kun være igang, når den holdes med begge hænder.

9. Ret aldrig maskinen mod personer, når den er igang. Værktøjet kan evt. flyve ud og forvolde alvorlig personskade.

10. **BERØR ALDRIG MASKINENS METALDELE** ved arbejde i vægge, gulve eller andre steder, hvor der er risiko for at ramme strømførende ledninger. Hold kun ved maskinen på de isolerede greb, så De undgår stød, hvis De skulle ramme en strømførende ledning.

11. Rør ikke ved maskinens metaldele eller værktøjet umiddelbart efter brug. Disse kan være ekstremt varme og medføre forbrændinger.

GEM DISSE FORSKRIFTER.

ANVENDELSE

Montering af Værktøj

Vigtigt:

Før montage eller demontering af værktøj skal De sikre Dem, at maskinen er slukket og netstikket trukket ud.

Rengør værktøjet og smør med fedt før montage. (Fig. 1)

Sæt værktøjet i værktøjsholderen, drej det og skub det i helt ind til det låser. (Fig. 2)

Hvis værktøjet ikke kan skubbes ind, trækkes i værktøjsholderen et par gange og der forsøges igen. (Fig. 3)


Drej og træk i værktøjet for at kontrollere at det er korrekt monteret.

Værktøjet fjernes ved at trække værktøjsholderen helt tilbage og samtidig trække værktøjet ud. (Fig. 4)


Valg af funktion

Når der vælges en funktion, sættes drejestoppet og skiftearmen først til positionen, der er vist i Fig. 5. Fortsæt derefter som følger.


Hammerboring (Fig. 6 og 7)

Ved boring i beton eller lignende trykkes låseknappen ind og drejestoppet drejes så viseren står på .

Mejselarbejde (Fig. 6 og 8)

Ved mejselarbejde trykkes låseknappen ind og drejestoppet drejes så viseren står på .

Kun rotation (Fig. 6 og 9)

Ved boring i træ, metal eller plasticmaterialer drejes skiftearmen, så  symbolet er rettet ind efter viseren på drejestoppet. Benyt et spiralbor eller et træbor.


ADVARSEL:


- Drej ikke drejestoppet og/eller skiftearmen, mens maskinen arbejder. Det kan beskadige maskinen.
- For at undgå unødigt slid på funktionsskiftemekanismen, skal drejestoppet og/eller skiftearmen altid stå præcist på en af de tre funktionsindstillinger.
- Funktionsindstillingen kan ikke ændres direkte fra "kun hammerboring" til "kun rotation" eller fra "kun rotation" til "kun hammerboring". Sæt først drejestoppet og skiftearmen til indstillingen for funktionen med "rotation med hammerboring", som vist i **Fig. 5**. Sæt derefter begge til positionen for "kun hammerboring" eller "kun rotation".

Mejselvinkel

Vigtigt:

Før indstilling af mejselvinkel skal De sikre Dem, at maskinen er slukket og netstikket trukket ud.

Mejslen kan monteres i 12 forskellige vinkler. Vinklen ændres ved at trykke låseknappen ind og dreje drejestoppet så viseren står på  symbolet. Drej mejslen til den ønskede vinkel. (**Fig. 10**)

Tryk låseknappen ind og drej drejestoppet så viseren står på .

Drej og træk i mejslen for at kontrollere at den er korrekt monteret. (**Fig. 11**)

Sidegreb (Fig. 12)

ADVARSEL:

- Anvend altid sidegrebet for at opretholde betjeningssikkerheden når der bores i beton, murværk o.lign.
- Når boret begynder at bryde igennem beton, eller rammer armeringsjern i betonen, kan maskinen reagere på farlig vis. Forebyg farlige reaktioner ved at sørge for at være i god balance og beholde et sikkert fodfæste, samtidigt med at maskinen holdes fast med begge hænder.

Sidegrebet kan drejes til begge sider hvilket muliggør sikker betjening af maskinen i en hvilken som helst stilling. Sidegrebet løsnes ved at dreje det mod uret, dreje det til det til den ønskede stilling og dernæst stramme det til med uret .

Afbryderfunktion (Fig. 13)

ADVARSEL:

Før netstikket sættes i, bør det altid kontrolleres af afbryderkontakten fungerer korrekt og springer tilbage til "OFF" positionen, når den slippes.

Start maskinen ved blot at trykke på kontakten. Slip den for at stoppe.

Hastighedsændring (Fig. 14)


Omdrejninger og slagantal per minut kan justeres ved at dreje justeringsskiven. Skiven er markeret fra 1 (laveste hastighed) til 6 (højeste hastighed). Se nedenstående tabel for forholdet mellem tallene på justeringsskiven og omdrejninger/slag per minut.

Tal på justeringsskiven	Omdrejninger per minut	Slagantal per minut
6	720	3 300
5	690	3 150
4	590	2 700
3	490	2 250
2	390	1 800
1	360	1 650

Hammerboring (Fig. 15)

ADVARSEL:

Når boret begynder at bryde igennem beton, eller rammer armeringsjern i betonen, kan maskinen reagere på farlig vis. Forebyg farlige reaktioner ved at sørge for at være i god balance og beholde et sikkert fodfæste, samtidigt med at maskinen holdes fast med begge hænder.

Sæt drejestoppet og skiftearmen til  symbolet. Placer boret på det sted, hvor hullet skal bores, og tryk på kontakten. Anvend ikke magt. Med et let tryk opnås de bedste resultater. Hold boret mod hullet og sørg for, at det ikke rutscher væk.

Tryk ikke yderligere såfremt borehullet stoppes af støv eller spåner. Lad istedet maskinen køre i tomgang og træk boret ud af hullet. Ved at gentage dette nogle gange, bliver hullet rent.


Momentbegrænser

Momentbegrænseren går i gang når et vist drejningsmoment er nået. Motoren frakobler udgangsakslen. Når det sker, holder boret op med at dreje rundt.


ADVARSEL:

Når momentbegrænseren går i gang, bør maskinen slukkes øjeblikkeligt. Det vil forhindre for tidlig nedslidning af maskinen.

Mejselarbejde/Afskalning/Nedbrydning (Fig. 16)

Sæt drejestoppet og skiftearmen til  symbolet. Hold godt fast på maskinen med begge hænder. Tænd for maskinen og læg et let tryk på maskinen, så den ikke arbejder ukontrolleret. Stærkt tryk på maskinen øger ikke effektiviteten.

Boring (Fig. 17)

Brug borepatronsættet (ekstratilbehør). Ved montering af dette sæt gås frem som beskrevet i afsnittet "Montering og afmontering af boret". Den maksimale borekapacitet i metal er på 13 mm og i træ er den på 30 mm. Sæt drejestoppet og skiftearmen til  symbolet.

- Boring i træ
Ved boring i træ opnås det bedste resultat med træborudstyret med en centerspids. Centerspidsen gør boringen lettere, idet den trækker værktøjet ind i emnet.
- Boring i metal
For at forhindre at værktøjet skrider, når der startes på et hul, bør der laves en fordybning med en kørne og en hammer på det sted, hvor hullet skal bores. Placer spidsen af værktøjet i fordybningen og start boringen. Anvend skæresmørelse, når der bores i metal. Undtaget er messing, som skal bores tørt.

ADVARSEL:

- Overdrevent tryk på maskinen vil ikke gøre boringen hurtigere. I virkeligheden vil det kun medvirke til at beskadige spidsen på værktøjet, og dermed forkorte maskinens levetid.
- Anvend ikke "hammerboring" funktionen når borepatronen er monteret på værktøjet. Borepatronen kan blive beskadiget.

Dybdeanslag (Fig. 18)

Dybdeanslag er godt når der skal bores huller af samme dybde. Blokeringsskruen løsnes og dybdeanslaget justeres til den ønskede dybde. Efter justeringen strammes skruen godt til igen.

BEMÆRK:

Dybdeanslaget kan ikke anvendes i den indstilling hvor det slår imod gearhuset/motorhuset.

Indikatorlamper (Fig. 19)

Når maskinen kører normalt, lyser den grønne lampe. Hvis den grønne lampe ikke lyser, når maskinen er tilsluttet og afbryderen trykkes ind, er der fejl på maskinens kabel eller afbryder. Hvis den grønne lampe lyser, uden at maskinen kan startes, er maskinens kul slidt op (udskift kullene), eller der er fejl på motoren. Når både den grønne og den røde lampe lyser, mens maskinen kører, skal maskinen have service-eftersyn og kulskift. Når maskinen har været i brug i 8 timer med den røde lampe tændt afbrydes den automatisk.

VEDLIGEHOLDELSE

ADVARSEL:

Sørg altid for at maskinen er slukket og netstikket trukket ud, før der foretages noget arbejde på selve maskinen.

Udskiftning af kul (Fig. 20 og 21)

Når kullene skal udskiftes, slår maskinen automatisk fra. Når dette sker, fjernes skrueene, der holder dækpladerne og kuldækslerne. Fjern kuldækslerne og udskift kullene. Brug kun originale Makita kul og udskift altid disse parvis.

Smøring

Denne maskine kræver hverken smøring en gang i timen eller en gang om dagen, idet den er forsynet med et indbygget smøringssystem. Smør maskinen hver gang kulbørsterne skiftes ud.

Lad maskinen køre i flere minutter for at varme den op. Sluk maskinen og træk netstikket ud. Løs de seks skrue og fjern håndtaget. Bemærk at topskrueene adskiller sig fra andre skrue (Fig. 22)

Fjern konnektoren ved at trække den ud. (Fig. 23)

Fjern oliedækslet med en unbrakonøgle. (Fig. 24)

Anbring maskinen med værktøjsholderen opad. Dette gør, at den gamle olie samler sig i krumtaphuset. Tør den gamle olie ud og påfyld frisk olie (30 gram). Anvend kun original Makita olie til mejselhamre (ekstratilbehør). Påfyldes der mere end den specificerede mængde (cirka 30 gram) olie kan det resultere i nedsat effekt eller maskinen kan nedslides. Efterfyld kun den specificerede mængde olie. Montér oliedækslet igen og spænd til med topnøglen. (Fig. 25)

Sæt konnektoren på igen og montér håndtaget. (Fig. 26)

ADVARSEL:

- Pas på ikke at beskadige stik og ledninger, når gamle olie tørrer ud eller håndtaget monteres.
- Spænd ikke oliedækslet for hårdt. Det er lavet af kunst-harpiks og kan skrues over.

For at opretholde produktets sikkerhed og pålidelighed, må istandsættelse, vedligeholdelse eller justering kun udføres af et autoriseret Makita service center.

Förklaring av allmän översikt

1	Verktygsolja	12	Lossa	22	Kolhållarkåpa
2	Verktygskäft	13	Dra åt	23	Kolhållarlock
3	Verktyg	14	Sidogrepp	24	Skruvar
4	Chuckkåpa	15	Strömställare	25	Kontakt
5	Omkopplingsspak	16	Inställningsring	26	Svart
6	Driftväxlingsspak	17	Vingskruv	27	Vit
7	Symbol för "rotation med slag"	18	Djupanslag	28	Vevhuslock
8	Låsknapp	19	Strömindikatorlampa ("Power ON") (grön)	29	Sexkantsnyckel
9	Pil	20	Serviceindikatorlampa (röd)	30	Smörjolja för slagborr
10	Symbol för "endast slag"	21	Skruvmejsel	31	Borrchuck
11	Symbol för "endast rotation"				

TEKNISKA DATA

Modell	HR3000C
Kapacitet	
HM-borr	30 mm
Borrkrona	90 mm
Trä	30 mm
Stål	13 mm
Obelastat varvtal (varv/min)	360 – 720
Slag per minut	1 650 – 3 300
Total längd	391 mm
Nettovikt	4,8 kg

- På grund av det kontinuerliga programmet för forskning och utveckling, kan här angivna tekniska data ändras utan föregående meddelande.
- Observera: Tekniska data kan variera i olika länder.

Strömförsörjning

Maskinen får endast anslutas till nät med samma spänning som anges på typplåten och kan endast köras med enfas växelström. Den är dubbelisolerad i enlighet med europeisk standard och kan därför anslutas till vägguttag som saknar skyddsjord.

Säkerhetstips

För din egen säkerhets skull, bör du läsa igenom de medföljande säkerhetsföreskrifterna.

KOMPLETTERANDE SÄKERHETS FÖRESKRIFTER

1. Bär en hård huvudbonad (skyddshjälm), skyddsglasögon och/eller ansiktsmask. Det rekommenderas vidare starkt att andningsmask, hörselskydd och kraftigt vadderade arbetshandskar används under arbetet.
2. Se till att verktyget är säkert monterat före användning.
3. Maskinen är konstruerad för att under normal drift alstra vibrationer. Skruvar kan lätt lossna och orsaka olyckor och skador på maskinen. Kontrollera att skruvarna är ordentligt åtdragna före användning.
4. Vid kallt väder eller om maskinen inte har använts under en längre tid bör den värmas upp genom att få gå utan belastning i några minuter. Detta gör att smörjningen kommer igång. Slagborrningsdrift är svår att utföra utan tillräcklig uppvärmning.
5. Se alltid till att du står stadigt. Se till att ingen befinner sig under dig vid arbete på hög höjd.
6. Håll maskinen stadigt med båda händerna.
7. Håll händerna borta från roterande delar.

8. Lämna inte maskinen med motorn igång. Använd maskinen endast när den hålls i händerna.
9. Rikta inte maskinen mot någon i närheten vid användning. Verktyget kan lossna och flyga iväg och därmed orsaka allvarliga skador.
10. RÖR INTE NÅGRA AV MASKINENS METALLDE-LAR vid borring i väggar, golv eller andra platser där strömförande ledningar kan finnas! Håll maskinen i de isolerade greppytorna för att förhindra elektriska stötar om du skulle råka borra in i en strömförande ledning.
11. Rör inte verktyget eller arbetsstycket omedelbart efter avslutat arbete. De kan vara extremt heta och orsaka brännskador på huden.

SPARA DESSA ANVISNINGAR.

BRUKSANVISNING

Montering och demontering av verktyg

Viktigt:

Se alltid till att maskinen är avstängd och nätsladden urdragen innan verktyg monteras eller demonteras.

Rengör verktygskäftet, och applicera verktygso-ljan som medföljer på skäftet innan verktyget monteras. (Fig. 1) För in verktyget i maskinen. Vrid verktyget och tryck in det tills det fastnar. (Fig. 2)


Tag bort verktyget om det inte går att trycka in. Fäll ner chuckkåpan ett par gånger. Montera sedan verktyget igen. Vrid verktyget och tryck in det tills det fastnar. (Fig. 3)

Kontrollera alltid att verktyget sitter fast ordentligt efter monteringen genom att försöka dra ut det. Demontera verktyget genom att fälla ner chuckkåpan hela vägen och dra ut verktyget. (Fig. 4)


Val av driftsfunktion

Ställ först in omkopplingsspaken och driftväxlingsspaken på det läge som visas i fig. 5 när en driftfunktion ska väljas, och fortsätt sedan enligt nedan.


Slagborring (Fig. 6 och 7)

Tryck in låsknappen och vrid omställarspaken så att pilen pekar mot symbolen  vid borring i betong, murverk o.dyl. Använd HM-borr.

Enbart slag (Fig. 6 och 8)

Tryck in låsknappen och vrid omställarspaken så att pilen pekar mot symbolen  vid huggmejsling, spånmejsling eller demolering. Använd tjörnare, huggmejsel, spånmejsel el. dyl.

Endast rotation (Fig. 6 och 9)

Rotera driftväxlingsspaken så att symbolen  är inriktad mot pilen på omkopplingsspaken vid borring i trä, metall eller plastmaterial. Använd ett spiralborr eller träborr.

FÖRSIKTIGHET:


- Rotera inte omkopplingsspaken och/eller driftväxlingsspaken när maskinen går under belastning. Maskinen skadas.
- Se till att omkopplingsspaken och/eller driftväxlingsspaken alltid är helt ställda i ett av de tre driftfunktionslägena, för att undvika att maskinen slits ut i förtid.
- Driftfunktionsläget kan inte ändras direkt från "endast slag" till "endast rotation", eller från "endast rotation" till "endast slag". Ställ först omkopplingsspaken och driftväxlingsspaken i läget "rotation med slag" så som visas i **fig. 5**. Ställ dem sedan i läget för "endast slag" eller "endast rotation".


Vinkelinställning

(vid huggmejsling, spånmejsling och demolering)

Viktigt:

Se alltid till att maskinen är avstängd och nätsladden urdragen innan verktygets vinkel ändras.

Verktyget kan fästas i 12 olika vinklar. Tryck in låsknappen och vrid omställarspaken så att pilen pekar mot symbolen  för att ändra verktygvinkeln. Vrid verktyget till önskad vinkel. (**Fig. 10**)

Tryck in låsknappen och vrid omställarspaken så att pilen pekar mot symbolen .

Kontrollera sedan att verktyget är ordentligt fäst genom att vrida en aning på det. (**Fig. 11**)

Sidogrepp (Fig. 12)

FÖRSIKTIGHET:

- Använd alltid sidogreppet för säker drift vid borring i betong, murverk el. dyl.
- När borret börjar bryta igenom betong, eller om borret slår emot armeringsjärn ingjutet i betong kan maskinen kasta eller på annat sätt uppföra sig farligt. Upprätthåll god balans, stå säkert med fötterna och håll maskinen i ett stadigt grepp med båda händerna för att förhindra farliga rörelser eller kast.

Sidogreppet kan svängas runt till endera sidan för att underlätta handhavandet av maskinen i varje läge. Lossa sidogreppet genom att vrida det moturs, sväng det till önskat läge och dra sedan åt det genom att vrida det medurs.

Strömställarens funktion (Fig. 13)

FÖRSIKTIGHET:

Kontrollera att strömställaren fungerar normalt och återgår till avstängt läge ("OFF") när den släpps innan nätsladden sätts i.

Tryck helt enkelt på strömställaren för att starta maskinen. Släpp strömställaren för att stanna.

Ändring av varvtalet (Fig. 14)


Varvtal och antal slag per minut kan enkelt justeras genom att vrida på inställningsringen. Ringen är markerad från 1 (lägsta hastighet) till 6 (full hastighet). Se tabellen nedan för information om förhållandet mellan siffrorna på inställningsringen och varvtal/slag per minut.

Siffror på inställningsringen	Varv per minut	Slag per minut
6	720	3 300
5	690	3 150
4	590	2 700
3	490	2 250
2	390	1 800
1	360	1 650

Slagborring (Fig. 15)

FÖRSIKTIGHET:

När borret börjar bryta igenom betong, eller om borret slår emot armeringsjärn ingjutet i betong kan maskinen kasta eller på annat sätt uppföra sig farligt. Upprätthåll god balans, stå säkert med fötterna och håll maskinen i ett stadigt grepp med båda händerna för att förhindra farliga rörelser eller kast.

Ställ omkopplingsspaken och driftväxlingsspaken mot symbolen . Placera borret där hålet ska vara, och tryck sedan på strömställaren. Tvinga inte maskinen. Ett lätt tryck ger bästa resultat. Håll maskinen i läge, och undvik att låta den glida i väg från hålet.

Tryck inte mer på maskinen även om hålet sätts igen av borrspån och andra partiklar. Låt istället maskinen gå obelastad och för sedan ut borret från hålet. Genom att upprepa denna procedur ett flertal gånger rensas hålet från skräp.

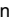
Vridmomentsbegränsare

Vridmomentsbegränsaren aktiveras när ett visst vridmoment uppnåtts. Motorn frikopplas från drivaxeln. När detta inträffar slutar verktyget att rotera.

FÖRSIKTIGHET:


Stäng genast av maskinen så snart vridmomentsbegränsaren aktiveras. Detta förhindrar att maskinen slits ut i förtid.

Huggmejsling/Spånmejsling/Demolering (Fig. 16)

Ställ omkopplingsspaken och driftväxlingsspaken mot symbolen . Håll maskinen stadigt med båda händerna. Sätt på maskinen, och tryck lätt mot maskinen så att den inte hoppar omkring okontrollerat. Ett överdrivet hårt tryck mot maskinen ökar inte effektiviteten.

Borringdrift (Fig. 17)

Vid borrning i dessa material används borrchuck med chuckadapter. Montering sker på samma sätt som tidigare beskrivits under rubriken 'Montering av hammarborr'. Borrdiameter i metall max 13 mm och i trä upp till 30 mm (flatborr).

Ställ omkopplingsspaken och driftväxlingsspaken mot symbolen  .

- Borrning i trä
Vid borrning i trä erhålles bäst resultat om träborr med ledskruv används. Ledskruven förenklar borrningen genom att dra borret in i arbetsstycket.
- Borrning i metall
Gör en försänkning med hjälp av en körnare och en hammare där hålet ska vara för att förhindra att borret slinter när borrningen påbörjas. Placera spetsen på borret i försänkningen och börja borra. Använd borrolja vid borrning i metall. Undantaget är mässing som ska borras torrt.

FÖRSIKTIGHET:

- Ett överdrivet tryck mot maskinen påskyndar inte borrningen. I själva verket leder det överdrivna trycket endast till att borrets spets förstörs, maskinens funktion försämrats och dess arbetsliv förkortas.
- Använd aldrig "rotation med slag" när borrchuckfästet är monterat på verktyget. Borrchuckfästet kan skadas.

Djupanslag (Fig. 18)

Djupanslaget är praktiskt att använda vid borrning av hål med samma djup. Lossa vingskruven och justera anslaget till önskat djup. Drag åt vingskruven ordentligt efter inställningen.

OBSERVERA:

Djupanslaget kan inte användas i det läge där det slår emot växelhuset/maskinhuset.

Indikatorlampa (Fig. 19)

Den gröna strömindikatorlampan ("Power ON") tänds när maskinen sätts på. Om indikatorlampan är tänd men maskinen inte startar kan antingen kolborstarna vara nedslitna, eller något fel har uppstått på den elektriska kretsen eller på motorn. Om indikatorlampan inte tänds och maskinen inte startar kan PÅ/AV-knappen eller nät-kabeln vara defekta.

Den röda serviceindikatorlampan tänds för att indikera att maskinen behöver service när kolborstarna är nästan nedslitna. Motorn stängs automatiskt av efter ungefär 8 timmars användning.

UNDERHÅLL

FÖRSIKTIGHET:

Förvissa dig alltid om att nätkabeln dragits ut ur väggtaget och att maskinen är fränkopplad innan något arbete utförs på maskinen.

Byte av kolborstar (Fig. 20 och 21)

När kolborstarna måste bytas slår de automatiskt av maskinen. Tag då skruvarna som håller fast kolhållarkåpan. Tag bort kolhållarkåpan och kolhållarlockn. Byt sedan båda kolborstarna på en gång. Använd endast identiskt lika kolborstar.

Smörjning

Denna maskin behöver inte smörjas varje dag eller varje timme eftersom den har ett fettingpackat smörjsystem. Smörj maskinen varje gång kolborstarna byts ut.

Värm upp maskinen genom att låta den gå i några minuter. Släpp strömställaren och dra ur nåtalsladden.

Lossa de sex skruvarna och tag bort handtaget. Observera att skruvarna på toppen är annorlunda än de övriga.

(Fig. 22)

Koppla ur kontakten genom att dra i den. **(Fig. 23)**

Tag bort vevhuslocket med en sexkantsnyckel. **(Fig. 24)**

Låt maskinen ligga stilla på bordet med verktygsändan pekande uppåt. På detta sätt samlas den gamla smörjolan inuti vevhuset. Torka ur all gammal smörjolja och fyll på ny (30 g). Använd endast Makita originalsmörjolja för slagborr. Om mer än den föreskrivna mängden (cirka 30 g.) fylls på kan det ge upphov till felaktig slagfunktion och maskinskador. Fyll endast på angiven mängd smörjolja. Montera vevhuslocket och drag åt med sexkantsnyckeln. **(Fig. 25)**

Anslut kontakten och sätt tillbaka handtaget. **(Fig. 26)**

FÖRSIKTIGHET:

- Var försiktig så att kontakterna och ledningarna inte skadas, speciellt när smörjoljan torkas ur och vid montering av handtaget.
- Drag inte åt vevhuslocket för hårt. Det är tillverkat av harts och kan skadas.

För att bibehålla produktens säkerhet och tillförlitlighet, bör alltid reparationer, underhållservice och justeringar utföras av auktoriserad Makita serviceverkstad.

Forklaring til generell oversikt

1 Borkronefett	12 Løse opp	21 Skrutrekker
2 Borkroneskaft	13 Skru til	22 Børsteholderdeksel
3 Borkrone	14 Støttehåndtak (hjelpéhåndtak)	23 Børsteholderhette
4 Borpatrondeksel	15 Startbryter	24 Skruer
5 Skiftehendel	16 Reguleringskala	25 Koplingsstykke
6 Vekslingshendel	17 Klemskrue	26 Svart
7 "Rotasjon med slag"-symbol	18 Dybdemåler	27 Hvit
8 Låseknapp	19 Grønn indikatorlampe for strøm PÅ	28 Veivhuslokk
9 Viser	20 Indikatorlampe for ettersyn (service)	29 Sekskantet skrunøkkel
10 "Kun slag"-symbol		30 Hammerfett
11 "Kun rotasjon"-symbol		31 Borechuck

TEKNISKE DATA

Modell	HR3000C
Kapasitet	
Borkrone med spiss av wolframkarbid (hammerbor)	30 mm
Kronebor	90 mm
Tre	30 mm
Stål	13 mm
Antall omdreininger per minutt	360 – 720
Slag per minutt	1 650 – 3 300
Total lengde	391 mm
Nettvekt	4,8 kg

- Grunnet det kontinuerlige forsknings- og utviklingsprogrammet, forbeholder vi oss retten til å foreta endringer i tekniske data uten forvarsel.
- Merk: Tekniske data kan variere fra land til land.

Strømforsyning

Maskinen må kun koples til den spenning som er angitt på typeskiltet og arbeider kun med enfas-vekselstrøm. Den er dobbelt verneisoleret i henhold til de Europeiske Direktiver og kan derfor også koples til stikkontakter uten jording.

Sikkerhetstips

For din egen sikkerhets skyld ber vi deg lese de medfølgende sikkerhetsreglene.

EKSTRA SIKKERHETSREGLER

1. **Bær vernehjelm, vernebriller, og/eller ansiktskjold. Det anbefales også på det sterkeste at De har på støvmaske, hørselvern og tykt polstrede hansker.**
2. **Sørg for at borkronen sitter godt på plass før maskinen tas i bruk.**
3. **Ved vanlig drift kan maskinen forventes å forårsake vibrasjon. Skruene kan lett løse opp, noe som igjen kan føre til driftsstans eller ulykker. Kontroller derfor nøye at skruene er forsvarlig strammets til før driftsstart.**
4. **Ved lave temperaturer eller når maskinen ikke har vært i bruk på en god stund, la maskinen varmes opp ved å gå på tomgang i noen minutter. Dette vil få smøringen til å løse opp og fordele seg. Uten skikkelig oppvarming vil hamringen være vanskelig å utføre.**
5. **Sørg for at De står stødig når De arbeider med maskinen. Forviss Dem alltid om at det ikke befinner seg noen under maskinen når arbeid pågår med maskinen plassert høyt oppe i lokalet.**

6. **Hold maskinen godt fast med begge hender.**
7. **Hold hendene unna maskindeler som er i bevegelse.**
8. **Forlat aldri maskinen når den er igang. Betjen maskinen bare når den holdes med hendene.**
9. **Rettt aldri maskinen mot personer i nærheten når den er igang. Borkronen kan sprette ut og forårsake alvorlige skader.**
10. **Vær oppmerksom på at De kan støte på strømførende ledninger når det bores i vegger, gulv og en rekke andre steder. DE MÅ DERFOR UNDER INGEN OMSTENDIGHETER BERØRE DE DELENE AV MASKINEN SOM ER LAGET AV METALL! Hold maskinen i de isolerte gripeflaten for å forhindre elektriske sjokk dersom De skulle komme til å treffe en strømførende ledning.**
11. **Berør ikke borkronen eller deler i nærheten av borkronen like etter bruk; de kan være meget varme og forårsake brannskader.**

TA VARE PÅ DISSE INSTRUKSENE.

BRUKSANVISNINGER

Montering eller demontering av borkronen

Viktig:

Sørg alltid for at maskinen er avslått og kontakten tatt ut av stikkkontakten før montering eller demontering av borkronen.

Rengjør borkroneskaftet og påfør borkronefett før borkronen monteres. (Fig. 1)

Sett borkronen inn i maskinen. Vri borkronen og trykk den inn helt til den er fastkople. (Fig. 2)

Fjern borkronen dersom den ikke kan trykkes inn. Dra borpatrondekslet ned et par ganger. Sett deretter borkronen inn på nytt. Vri borkronen og trykk den inn helt til den er fastkople. (Fig. 3)

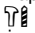
Etter montering, sørg alltid for å kontrollere at borkronen holdes forsvarlig på plass ved å forsøke å dra den ut.

For å demontere borkronen, dra borpatrondekslet helt ned og dra borkronen ut. (Fig. 4)

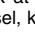
Velge bruksmåte

Når driftsmodus skal velges må skiftehendelen og vekslingshendelen først stilles inn som vist i Fig. 5. Fortsett deretter som følger.

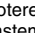
Rotasjon med slag (hamring) (Fig. 6 og 7)

For boring i betong, mur etc., trykk ned låseknappen og drei skiftehendelen slik at viseren peker mot  symbolet. Anvend en borkrone med wolframkarbidspiss.

Bare slag (hamring) (Fig. 6 og 8)

For meislings- avskalling- eller nedrivingsarbeide, trykk ned låseknappen og drei skiftehendelen slik at viseren peker mot  symbolet. Anvend en spissmeisel, kaldmeisel, avskallingsmeisel etc.

Kun rotasjon (Fig. 6 og 9)

Ved boring i tre, metall eller plastmaterialer, roteres vekslingshendelen slik at  -symbolet er samstemt med viseren på skiftehendelen. Bruk spiralbor eller trebor.

NB!

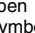
- Roter ikke skiftehendelen og/eller vekslingshendelen når maskinen arbeider. Maskinen vil ødelegges.
- For å forhindre hurtig slitasje av mekanismen for modusendring, sørg for at skiftehendelen og/eller vekslingshendelen alltid er innstilt på en av de to driftsmodusene.
- Driftsmodusen kan ikke endres direkte fra "kun slag" til "kun rotasjon" eller fra "kun rotasjon" til "kun slag". Først stilles skiftehendelen og vekslingshendelen til "rotasjon med slag" som vist i **Fig. 5**, og deretter til "kun slag" eller "kun rotasjon".

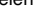
Vinkel på borkronen

(ved meislings-, avskallings- eller nedrivingsarbeide)

Viktig:

Sørg for at maskinen alltid er avslått og at kontakten er dratt ut av stikkkontakten før vinkelen på meiselen endres.

Borkronen kan låses i 12 forskjellige vinkler. For å endre vinkelen på borkronen, trykk ned låseknappen og drei skiftehendelen slik at viseren peker mot  symbolet. Vri meiselen til ønsket vinkel. (**Fig. 10**)

Trykk ned låseknappen og drei skiftehendelen slik at viseren peker mot  symbolet.

Sørg deretter for å kontrollere at borkronen holdes forsvarlig på plass ved å forsøke å vri den forsiktig rundt. (**Fig. 11**)

Støtthåndtak (hjelpetakt) (Fig. 12)

NB!

- Bruk alltid støtthåndtaket for å sørge for sikker betjening ved boring i betong, mur etc.
- Når borkronen begynner å trenge igjennom betong eller dersom borkronen støter mot armeringsjern, kan maskinen reagere på en måte som medfører stor fare. For å unngå farlige situasjoner, sørg godt fotfeste og hold balansen når maskinen holdes fast med begge hender.

Støtthåndtaket kan svinges rundt til den ene eller den andre siden, for lett vint betjening av maskinen uansett hvilken posisjon maskinen befinner seg i. Løs opp støtthåndtaket ved å vri det mot urviseren og sving det til ønsket posisjon. Skru håndtaket til ved å vri det med urviseren.

Bryterposisjoner (Fig. 13)

NB!

Før maskinens kontakt settes i stikkkontakten, kontroller alltid at startbryteren utløses ordentlig og går tilbake i "AV" posisjon når den frigjøres.

Vri simpelthen på bryteren for å starte maskinen. Frigjør bryteren for å stanse maskinen.

Hastighetsendring (Fig. 14)

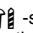
Antall omdreininger (turtall) og slag per minutt kan justeres ved å vri på reguleringskalaen. Skalaen går fra 1 (laveste hastighet) til 6 (høyeste hastighet). Det henvises til tabellen nedenfor for forholdet mellom tallene på reguleringskalaen og antall omdreininger og slag per minutt.

Tall på reguleringskalaen	Omdreininger per minutt	Slag per minutt
6	720	3 300
5	690	3 150
4	590	2 700
3	490	2 250
2	390	1 800
1	360	1 650

Slagboring (Hammerboring) (Fig. 15)

NB!

Når borkronen begynner å trenge igjennom betong eller dersom borkronen støter mot armeringsjern, kan maskinen reagere på en måte som medfører stor fare. For å unngå farlige situasjoner, sørg godt fotfeste og hold balansen når maskinen holdes fast med begge hender.

Still skiftehendelen og vekslingshendelen på  -symbolet. Plasser borkronen i hullet og trykk på startbryteren. Bruk ikke makt på maskinen. Et lett trykk gir best resultat. Hold maskinen i riktig posisjon og sørg for at den ikke glipper fra hullet.

Trykk ikke hardere når hullet tettes til med flak og partikler. Kjør istedenfor maskinen på tomgang og løft den deretter opp fra hullet. Ved på gjenta dette flere ganger vil hullet renskes opp.

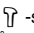
Momentbegrensere

Momentbegrenseren settes igang når et visst dreiemomentnivå nås. Motoren frigjøres fra utgangsakselen. Når dette skjer vil borkronen holde opp å dreie.


NB!

Slå av maskinen umiddelbart så snart momentbegrenseren settes igang. Dette vil bidra til å forhindre at maskinen slites ut før tiden.

Meisling/Avskalling/Neddriving (Fig. 16)

Still skiftehendelen og vekslingshendelen på  -symbolet. Hold maskinen fast med begge hender. Slå maskinen på og øv lett trykk på den slik at den ikke spretter ukontrollert rundt. Å trykke hardt på maskinen vil ikke øke effektiviteten.

Boring (Fig. 17)

Bruk chuck ved boring i tre eller metall. Ved montering henvises til "Montering og fjerning av bor" på foregående side. Man kan bore opptil 13 mm i metall og 30 mm i tre. Sett skiftehendelen og vekslingshendelen til  -symbolet.

• Boring i tre

Ved boring i tre, vil beste resultat oppnås med trebor og selvborende skruer. Den selvborende skruen gjør boringen lettere ved at bitset dras inn i arbeidsemnet.

• Boring i metall

For å hindre at bitset glipper i starten av hullboringen, lages en liten fordypning med kjørner og hammer der hullet skal være. Sett bitsspissen i fordypningen og start boringen.

Bruk maskinolje ved boring i metall. Unntaket er messing som må tørrbores.

NB!

- For stort trykk på maskinen vil ikke gjøre boringen raskere. Dette vil bare medføre skadet bits, redusert borekapasitet og forkorte boremaskinens brukstid.
- "Rotasjon med hammerslag" må aldri brukes når borechuck-montasjen er montert på verktøyet. Borechuck-montasjen kan ødelegges.

Dybdemåler (Fig. 18)

Dybdemåleren er fordelaktig ved boring av hull med samme dybde. Løs opp klemskruen og juster dybdemåleren til ønsket dybde. Skru klemskruen fast etter justeringen.

MERKNAD:

Dybdemåleren kan ikke benyttes i en posisjon der den støter mot girhuset/motorkassen.

Indikator lampe (Fig. 19)

Den grønne indikatorlampen for strøm-PÅ tennes når maskinen slås på. Dersom indikatorlampen lyser men maskinen ikke starter, kan dette skyldes at kullbørstene er utslitt, at strømkretsen eller motoren er defekt. Dersom indikatorlampen ikke tennes og maskinen ikke starter kan dette tyde på at AV/PÅ bryteren eller hovedledningen er defekt.

Den røde indikatorlampen tennes når kullbørstene er nesten utslitt for å indikere at maskinen trenger ettersyn (service). Etter ca 8 timers bruk slås motoren automatisk av.

SERVICE

NB!

Før servicearbeider utføres på maskinen må det passes på at denne er slått av og at støpselet er trukket ut av stikkkontakten.

Utskifting av kullbørstene (Fig. 20 og 21)

Når det er nødvendig å skifte ut kullbørstene, koples maskinen automatisk ut. Når dette er tilfelle, fjern opp skruene som holder børsteholderdekselet fast og børsteholderhetten. Fjern børsteholderdekselet og skift deretter ut begge kullbørstene samtidig. Benytt alltid identiske kullbørster.

Smøring

Det er ikke påkrevet med smøring hver time eller daglig ettersom denne maskinen har et lukket smøresystem. Smør maskinen hver gang kullbørstene skiftes ut.

La maskinen gå i flere minutter for å varme den opp. Slå av og dra kontakten ut støpselet.

Løs opp de seks skruene og fjern håndtaket. Legg merke til at toppskruene er annerledes enn de andre skruene.

(Fig. 22)

Koplingsstykket frakoples ved å trekke det ut. (Fig. 23)

Fjern veivhuslokket med en sekskantet skrunøkkel. (Fig. 24)

La maskinen hvile på bordet med enden på borkronen pekende oppover. Dette bidrar til at det gamle fett kan samles i veivhuset. Fjern det gamle fett og erstatt det med nytt fett (30 g). Bruk kun Makita originalfett (valgfritt tilleggsutstyr). Å fylle på mer fett (ca 30 g) enn spesifisert mengde kan forårsake mangelfull slagfunksjon eller maskinefeil. Fyll derfor på bare den spesifiserte mengde med fett. Monter veivhuslokket på igjen og skru til lokket med en sekskantet skrunøkkel. (Fig. 25)

Kople koplingsstykket og håndtaket på igjen. (Fig. 26)

NB!

- Vær forsiktig for ikke å skade koplingspunktene eller blykablene særlig når gammelt fett fjernes eller håndtaket monteres.
- Skru ikke veivhuslokket for hardt til da det er laget av harpiks/kunststoff og kan ødelegges.

For å garantere at maskinen arbeider sikkert og pålitelig bør reparasjoner, servicearbeider eller innstillinger utføres av et autorisert Makita-serviceverksted.

Yleisselostus

1 Terärasva	11 "Pelkkä pyöriminen" -merkki	22 Harjanpitimen suojus
2 Terän kara	12 Löysty	23 Harjanpitimen kansi
3 Terä	13 Kiristyy	24 Ruuvit
4 Istukan suojus	14 Sivukädensija	25 Liitin
5 Toiminnon valitsin	15 Liipaisinkytkin	26 Musta
6 Vaihdevipu	16 Säättökehä	27 Valkoinen
7 "Pyöriminen ja vasarointi" -merkki	17 Kiristysruuvi	28 Täyttöaukon kansi
8 Lukituspainike	18 Syvyystulkki	29 Kuusioavain
9 Osoitin	19 Virran merkkivalo (vihreä)	30 Vasararasva
10 "Pelkkä vasarointi" -merkki	20 Huollon merkkivalo (punainen)	31 Poran istukka
	21 Ruuvitalta	

TEKNISEET TIEDOT

Malli	HR3000C
Suorituskyky	
Volfraamkarbidi-kärkinen terä	30 mm
Keernakaira	90 mm
Puu	30 mm
Teräs	13 mm
Tyhjäkäyntinopeus (k/min)	360 – 720
Iskua minuutissa	1 650 – 3 300
Kokonaispituus	391 mm
Nettopaino	4,8 kg

- Jatkuvan tutkimus- ja kehitysohjelman vuoksi pidämme oikeuden muuttaa tässä mainittuja teknisiä ominaisuuksia ilman ennakkoilmoitusta.
- Huomaa: Tekniset ominaisuudet saattavat vaihdella eri maissa.

Virransyöttö

Laitteen saa kytkä ainoastaan virtalähteeseen, jonka jännite on sama kuin tyyppikilvessä ilmoitettu. Laitetta voidaan käyttää ainoastaan yksivaiheisella vaihtovirralla. Laitte on kaksinkertaisesti suojaeristetty eurooppalaisten standardien mukaisesti, ja se voidaan tästä syystä liittää maadoittamattomaan pistorasiaan.

Turvaohjeita

Oman turvallisuutesi vuoksi lue mukana seuraavat turvaohjeet.

LISÄTURVAOHJEITA

1. Käytä kypärää, suojalaseja ja/tai kasvonsuojusta. Myös hengityssuojaimen, kuulosuojainten ja paksusti topattujen käsineiden käyttö on erittäin suositeltavaa.
2. Varmista ennen koneen käyttöä, että terä on kiinnitetty paikalleen.
3. Kone on suunniteltu siten, että se tärisee normaalissa käytössä. Ruuvit voivat helposti löystyä, mikä voi aiheuttaa laitteen rikkoutumisen tai onnettomuuden. Tarkista ruuvien kireys ennen laitteen käyttöä.
4. Anna koneen lämmetä muutaman minuutin ajan käyttämällä sitä tyhjäkäynnillä kylmällä ilmalla tai jos konetta ei ole käytetty pitkään aikaan. Tämä saa voiteluöljyn liikkeelle. Vasarointi on vaikeaa ilman kunnollista lämmittelyä.
5. Varmista aina, että sinulla on vankka jalansija. Varmista, että allasi ei ole ketään, kun käytät konetta korkeissa paikoissa.
6. Pitele konetta tiukasti molemmilla käsillä.
7. Pidä kädet poissa pyörivistä osista.

8. Älä jätä konetta käyntiin. Käytä konetta ainoastaan sen ollessa käsissäsi.
9. Älä osoita koneella ketään työskentelyalueella olevaa henkilöä. Terä saattaa lennähtää irti ja aiheuttaa vakavan loukkaantumisen.
10. Kun poraat tai piikkaat seiiniin, lattioihin tai mihin tahansa pintoihin, joissa saattaa olla jännitteisiä johtoja, ÄLÄ KOSKE MIHINKÄÄN KONEEN METALLIOSIINI! Pitele konetta eristetyistä tarttumapainoista. Näin vältät sähköiskun, jos satut osumaan jännitteeseen johtoon.
11. Älä koske terään äläkä terän lähellä oleviin osiin välittömästi työskentelyn jälkeen. Ne saattavat olla erittäin kuumia ja polttaa ihoasi.

SÄILYÄ NÄMÄ OHJEET.

KÄYTTÖOHJEET

Terän kiinnittäminen ja irrottaminen

Tärkeää:

Varmista aina ennen terän kiinnittämistä ja irrottamista, että kone on sammutettu ja virtajohto irrotettu pistorasiasta.

Puhdista terän kara ja sivele siihen varusteisiin kuuluvaa terärasvaa, ennen kuin kiinnität terän. **(Kuva 1)**

Työnnä terä koneeseen. Käännä terää ja paina sitä, kunnes se osuu kohdalleen. **(Kuva 2)**

Jos terää ei voida painaa sisään, irrota terä. Vedä istukan suojus alas muutamia kertoja. Kiinnitä terä sitten uudelleen. Käännä terää ja paina sitä sisään, kunnes se osuu kohdalleen. **(Kuva 3)**

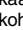
Kun olet kiinnittänyt terän, varmista aina vetämällä, että terä pysyy tiukasti paikallaan.

Terä irrotetaan vetämällä istukan suojus kokonaan alas ja vetämällä terä ulos. **(Kuva 4)**


Toimintamuodon valinta

Kun valitset toimintomuotoa, siirrä ensin toiminnon valitsin ja vaihdevipu kuvan 5 osoittamaan asentoon. Toimi sitten seuraavasti.


Pyöriminen ja vasarointi (Kuva 6 ja 7)

Kun poraat betoniin, kiveen tms, paina lukituspainiketta ja käännä toiminnon valitsinta siten, että osoitin osoittaa kohti  merkkiä. Käytä volframkarbidi-kärkistä terää.

Pelkkä vasarointi (Kuva 6 ja 8)

Kun piikkaat, talttaat tai purat, paina lukituspainiketta ja käännä toiminnon valitsinta siten, että osoitin osoittaa kohti  merkkiä. Käytä lattatalttaa, kylmätalttaa, hakaustalttaa tms.

Pelkkä pyöriminen (kuvat 6 ja 9)

Kun poraat puuhun, metalliin tai muoviin, käännä vaihdevipua siten, että  -merkki tulee toiminnon valitsimessa olevan osoittimen kohdalle. Käytä kierteis- tai puuporan-terää.

VARO:


- Älä käännä toiminnon valitsinta ja/tai vaihdevipua koneen käydessä tyhjäkäynnillä. Kone vahingoittuu tästä.
- Vältäaksesi toimintomuodon vaihtomekanismin ennenaikaisen kulumisen varmista, että toiminnon valitsin on aina jossakin kolmesta toimintoasennosta.
- Toimintomuotoa ei voida vaihtaa suoraan muodolta ”pelkkä vasarointi” muodolle ”pelkkä pyöriminen” eikä muodolta ”pelkkä pyöriminen” muodolle ”pelkkä vasarointi”. Siirrä ensin toiminnon valitsin ja vaihdevipu **kuvan 5** osoittamaan toimintoasentoon ”pyöriminen ja vasarointi”. Siirrä ne sitten asentoon ”pelkkä vasarointi” tai ”pelkkä pyöriminen”.


Terän kulma

(piikattaessa, taltattaessa tai purettaessa)

Tärkeää:

Varmista aina ennen terän kulman säätöä, että kone on sammutettu ja virtajohto irrotettu pistorasiasta.

Terä voidaan kiinnittää 12 eri kulmaan. Terän kulma muutetaan painamalla lukituspainiketta ja kääntämällä toiminnon valitsinta siten, että osoitin osoittaa kohti  merkkiä. Käännä terä haluamaasi kulmaan. **(Kuva 10)**

Paina lukituspainiketta ja käännä toiminnon valitsinta siten, että osoitin osoittaa kohti  merkkiä.

Varmista sitten terää varovasti kääntämällä, että se on tiukasti paikallaan. **(Kuva 11)**

Sivukädensija (Kuva 12)

VARO:

- Työskentelyturvallisuuden vuoksi käytä aina sivukädensijaa, kun poraat betoniin, kiveen tms.
- Kun terä alkaa tunkeutua betonin toiselta puolelta läpi tai jos terä osuu betonin sisällä oleviin terästankoihin, kone saattaa reagoida vaarallisella tavalla. Pidä hyvä tasapaino ja turvallinen jalansija pitäen konetta tiukasti molemmilla käsillä estääksesi vaarallisen reaktion.

Sivukädensija kiertyy molemmille sivuille, mikä mahdollistaa koneen helpon käsittelyn missä asennossa tahansa. Löysennä sivukädensija kääntämällä sitä vastapäivään, kierrä se haluamaasi asentoon ja kiristä sitten kääntämällä myötäpäivään.

Kytkimen käyttäminen (Kuva 13)

VARO:

Tarkista aina ennen virtajohdon liittämistä pistorasiaan, että liipaisinkytkin toimii moitteettomasti ja palautuu vapautettaessa ”OFF” asentoon.

Kone käynnistetään yksinkertaisesti painamalla liipaisinta. Kone pysähtyy vapautettaessa liipaisin.


Nopeuden muuttaminen (Kuva 14)

Kierrosten ja iskujen määrä minuutissa voidaan säätää kääntämällä säätökehää. Kehässä on merkinnät 1:stä (hitain käynti) 6:een (täysi käyntinopeus). Katso alla olevasta taulukosta säätökehän numeroasetusten ja kierrosten/iskujen määrän välinen suhde.

Säätökehän numero	Kierrosta minuutissa	Iskua minuutissa
6	720	3 300
5	690	3 150
4	590	2 700
3	490	2 250
2	390	1 800
1	360	1 650

Vasaraporaaminen (Kuva 15)

VARO:

Kun terä alkaa tunkeutua betonin toiselta puolelta läpi tai jos terä osuu betonin sisällä oleviin terästankoihin, kone saattaa reagoida vaarallisella tavalla. Pidä hyvä tasapaino ja turvallinen jalansija pitäen konetta tiukasti molemmilla käsillä estääksesi vaarallisen reaktion. Siirrä toiminnon valitsin ja vaihdevipu  -merkin kohdalle. Aseta terä porattavan reiän kohdalle ja paina sitten liipaisinta. Älä pakota konetta. Kevyt painaminen tuottaa parhaan tuloksen. Pidä konetta paikallaan ja estä sitä liukumasta pois reistä.

Älä paina voimakkaammin, jos reikä tukkeutuu lastuista tai hiukkasista. Anna koneen sen sijaan käydä tyhjäkäynnillä ja irrota se sitten reistä. Reikä puhdistuu, kun toistat tämän muutaman kerran.


Ylikuormituskytkin

Ylikuormituskytkin käynnistyy, kun tietty vääntömomentti saavutetaan. Moottori irtautuu ottoakselista. Kun näin käy, terä lakkaa pyörimästä.

VARO:


Heti kun ylikuormituskytkin käynnistyy, sammuta laite välittömästi. Tämä estää konetta kulumasta ennenaikaisesti.

Piikkaaminen/talttaaminen/purkaminen (Kuva 16)

Siirrä toiminnon valitsin ja vaihdevipu  -merkin kohdalle. Pitele konetta tiukasti molemmiin käsiin. Käynnistä kone ja paina konetta kevyesti siten, että se ei ponnahta hallitsemattomasti takaisin. Koneen voimakas painaminen ei tehosta työskentelyä.

Poraaminen (Kuva 17)

Käytä erillisiä poran istukka-sarjaa. Katso asennusohjeet edellisen sivun kohdasta "Poranterän kiinnittäminen ja irrottaminen". Voit porata korkeintaan 13 mm paksuista metallia ja 30 mm paksuista puuta.

Siirrä toiminnon valitsin ja vaihdevipu  -merkin kohdalle.

• Poraaminen puuhun

Kun poraat puuhun, saat parhaan tuloksen käyttämällä ohjausruuvilla varustettuja puuporia. Ohjausruuvi vetää terän työkappaleeseen, mikä helpottaa poraamista.

• Poraaminen metalliin

Iske porattavaan kohtaan syvennys pistepuikolla ja vasaralla estääksesi terää liukumasta, kun reiän poraaminen alkaa. Aseta terän kärki syvennykseen ja aloita poraaminen.

Käytä lastuamiesnestettä, kun poraat metalliin. Poikkeuksen muodostavat messinki. Siihen porataan kuivana.

VARO:

- Koneen liiallinen painaminen ei nopeuta poraamista. Itse asiassa tämä vain vahingoittaa terän kärkeä, heikentää koneen toimintaa ja lyhentää koneen käyttöikää.
- Älä koskaan käytä "vasarointia yhdistettynä pyörimisliikkeeseen", kun koneeseen on asennettu poraistukkasarja. Poraistukkasarja saattaa vahingoittaa.

Syvyystulkki (Kuva 18)

Syvyystulkki on kätevä porattaessa useita samansyvyisiä reikiä. Löysennä kiristysruuvi ja säädä syvyystulkki haluamaasi syvyyteen. Kun olet tehnyt säädön, kiristä kiristysruuvi tiukalle.

HUOMAA:

Syvyystulkkia ei voida käyttää asennossa, jossa se osuu vaihekoteloon/ moottorikoteloon.

Merkkivalo (Kuva 19)

Vihreä virran merkkivalo syttyy, kun virtakytkin on käännetty päälle asentoon ON. Jos merkkivalo palaa, mutta kone ei käynnisty, harjahiilet ovat ehkä kuluneet loppuun tai moottorissa tai sähköpiirissä on vikaa. Jos merkkivalo ei syty eikä kone käynnisty, ON/OFF -virtakytkin tai virtajohto saattaa olla viallinen.

Punainen huollon merkkivalo syttyy koneen huollontarpeen merkiksi, kun harjahiilet ovat lähes loppuunkuluneet. Moottori sammuu automaattisesti noin 8 tunnin käytön jälkeen.

HUOLTO

VARO:

Ennen koneelle tehtäviä huoltotoimia on varmistettava, että se on sammutettu ja irrotettu virtalähteestä.

Harjahielten vaihtaminen (Kuva 20 ja 21)

Kun harjahielten vaihtamisen aika on koittanut, ne sammuttavat koneen automaattisesti. Kun näin käy, irrota harjanpitimen kantta paikallaan pitävät ruuvit. Irrota harjanpitimen kansi ja harjanpitimen kansi. Vaihda sitten molemmat harjahiilet samalla kertaa. Käytä ainoastaan keskenään samanlaisia harjahiihiä.

Voitelu

Tämä kone ei vaadi tunti- tai päivämääristä voitelua, koska siinä on rasvapakattu voitelujärjestelmä. Voitele kone aina harjahielten vaihtamisen jälkeen.

Lämmitä kone antamalla sen käydä muutaman minuutin ajan. Sammuta kone ja irrota virtajohto pistorasiasta.

Löysennä kuusi ruuvia ja irrota kahva. Huomaa, että päällimmäiset ruuvit poikkeavat muista ruuveista.

(Kuva 22)

Irrota liitin vetämällä. (Kuva 23)

Irrota täyttöaukon kansi kuusioavaimella. (Kuva 24)

Aseta kone pöydälle siten, että terä osoittaa ylöspäin. Näin vanha rasva pääsee kerääntymään täyttöaukkoon.

Pyyhi vanha rasva pois sisältä ja laita tilalle uutta rasvaa määrätty määrä (30 g). Käytä ainoastaan aitoa Makita-rasvaa (lisävaruste). Jos rasvaa pannaan enemmän kuin

mitä on määrätty (noin 30 g), vasarointi saattaa toimia virheellisesti tai kone mennä epäkuntoon. Pane rasvaa aina vain määrätty määrä. Aseta täyttöaukon kansi takaisin paikalleen ja kiristä se kuusioavaimella. (Kuva 25)

Kytke liitin paikalleen ja kiinnitä kahva uudelleen. (Kuva 26)

VARO:

- Varo vahingoittamasta liittimiä tai johtimia etenkin pyyhkiessäsi vanhaa rasvaa pois ja kiinnittäessäsi kahvaa.
- Älä kiristä täyttöaukon kantta liikaa. Se on valmistettu kumista ja rikkoutuu herkästi.

Laitteen käyttövarmuuden ja turvallisuuden vuoksi korjaukset ja muut huolto- ja säätötyöt saa suorittaa ainoastaan Makitan hyväksymä huoltopiste.

Περιγραφή γενικής άποψης

1	Γράσσο αιχμής	11	Σύμβολο “μόνο περιστροφή”	21	Κατσαβίδι
2	Στέλεχος αιχμής	12	Χαλαρώστε	22	Κάλυμμα θήκης ψήκτρας
3	Αιχμή	13	Σφίξτε	23	Καπάκι θήκης ψήκτρας
4	Κάλυμμα σφικτήρα	14	Πλάγια λαβή	24	Βίδες
5	Μοχλός αλλαγής	15	Μοχλός διακόπτης	25	Σύνδεσμος
6	Μοχλός ανεβάσματος	16	Καντράν ρύθμισης	26	Μαύρο
7	Σύμβολο “περιστροφής με σφυροκόπημα”	17	Βίδα σφιξίματος	27	Ασπρο
8	Κουμπί ασφάλισης	18	Μετρητής βάθους	28	Καπάκι στροφαλοφόρου
9	Δείκτης	19	Ενδεικτικό λαμπάκι ρεύματος ON (πράσινο)	29	Εξαγ. κλειδί
10	Σύμβολο “μόνο σφυροκόπημα”	20	Ενδεικτικό λαμπάκι συντήρησης (κόκκινο)	30	Γράσσο σφυριού
				31	Σφικτήρας τρυπανιού

ΤΕΧΝΙΚΑ ΧΑΡΑΚΤΗΡΙΣΤΙΚΑ

Μοντέλο HR3000C

Αποδόσεις

Αιχμή βολφραμίου-ανθρακασβεστίου	30 χιλ.
Αιχμή πυρίνα	90 χιλ.
Ξύλο	30 χιλ.
Ατσάλι	13 χιλ.
Ταχύτητα χωρίς φορτίο (ΣΑΛ)	360 – 720
Κτύποι ανά λεπτό	1.650 – 3.300
Ολικό μήκος	391 χιλ.
Βάρος καθαρό	4,8 Χγρ

- Λόγω του συνεχιζόμενου προγράμματος έρευνας και ανάπτυξης, οι παρούσες προδιαγραφές υπόκεινται σε αλλαγή χωρίς προειδοποίηση.
- Παρατήρηση: Τα τεχνικά χαρακτηριστικά μπορεί να διαφέρουν από χώρα σε χώρα.

Ρευματοδότηση

Το μηχάνημα πρέπει να συνδέεται μόνο σε παροχή ρεύματος της ίδιας τάσης με αυτή που αναφέρεται στην πινακίδα κατασκευαστού και μπορεί να λειτουργήσει μόνο με εναλλασσόμενο μονοφασικό ρεύμα. Τα μηχανήματα αυτά έχουν διπλή μόνωση σύμφωνα με τα Ευρωπαϊκά Πρότυπα και κατά συνέπεια, μπορούν να συνδεθούν σε ακροδέκτες χωρίς σύρμα γείωσης.

Υποδείξεις ασφάλειας

Για την προσωπική σας ασφάλεια, ανατρέξτε στις εσωκλειστές οδηγίες ασφάλειας.

ΠΡΟΣΘΕΤΕΣ ΔΙΑΤΑΞΕΙΣ ΑΣΦΑΛΕΙΑΣ

1. Φοράτε ένα σκληρό καπέλο (κράνος ασφαλείας), γυαλιά ασφαλείας και/ή προστατευτικό πρόσωπο. Επίσης, συνιστάται ισχυρώς να φοράτε μάσκα σκόνης, ωτασπίδες, και γάντια παχειάς επένδυσης.
2. Βεβαιωθείτε ότι η αιχμή είναι στερεωμένη στη θέση της πριν τη λειτουργία.
3. Υπό κανονική λειτουργία το μηχάνημα είναι σχεδιασμένο να προκαλεί δονήσεις. Οι βίδες μπορεί να βγουν εύκολα, προκαλώντας βλάβη ή ατύχημα. Ελέγχετε το σφίξιμο των βιδών προσεκτικά πριν τη λειτουργία.

4. Όταν κάνει κρύο καιρό ή όταν το μηχάνημα δεν έχει χρησιμοποιηθεί για πολύ καιρό, αφήστε το μηχάνημα να προθερμανθεί για αρκετά λεπτά δουλεύοντας το χωρίς φορτίο. Αυτό θα μαλακώσει τη λιπανση. Χωρίς κατάλληλη προθέρμανση, η λειτουργία σφυροκόπησης είναι δύσκολη.
5. Πάντοτε βεβαιώνετε ότι έχετε καλή στήριξη ποδιών. Βεβαιώνετε ότι δεν βρίσκεται κανείς από κάτω όταν χρησιμοποιείτε το μηχάνημα σε ψηλά μέρη.
6. Κρατάτε το μηχάνημα σταθερά και με τα δύο χέρια.
7. Κρατάτε τα χέρια σας μακριά από τα περιστρεφόμενα μέρη.
8. Μην αφήνετε το μηχάνημα σε λειτουργία. Λειτουργείτε το μηχάνημα μόνο όταν το κρατάτε στα χέρια.
9. Μη στρέψετε το μηχάνημα σε κανέναν άλλο στην περιοχή όταν λειτουργεί. Η αιχμή μπορεί να εκτοξευθεί και να τραυματίσει κάποιον.
10. Όταν τρυπανίζετε σε τοίχους, πατώματα ή οπουδήποτε ηλεκτροφόρα καλώδια μπορεί να υπάρχουν, ΜΗΝ ΑΓΓΙΖΕΤΕ ΤΑ ΜΕΤΑΛΛΙΚΑ ΜΕΡΗ ΤΟΥ ΜΗΧΑΝΗΜΑΤΟΣ. Κρατάτε το μηχάνημα από τις μονωμένες επιφάνειες πιασίματος για να αποφύγετε ηλεκτροπληξία εάν τρυπανίσετε μέσα σε ηλεκτροφόρα καλώδια.
11. Μην αγγίζετε την αιχμή ή το αντικείμενο εργασίας αμέσως μετά τη λειτουργία. Μπορεί να είναι εξαιρετικά θερμά και να σας προκαλέσουν εγκαύματα.

ΦΥΛΑΞΕΤΕ ΑΥΤΕΣ ΤΙΣ ΟΔΗΓΙΕΣ.

ΟΔΗΓΙΕΣ ΧΡΗΣΗΣ

Τοποθέτηση ή αφαίρεση της αιχμής τρυπανιού

Σημαντικό:

Πάντοτε βεβαιώνετε ότι το μηχάνημα είναι σθηστό και αποσυνδεδεμένο πριν τοποθετήσετε ή αφαιρέσετε την αιχμή.

Καθαρίστε το στέλεχος της αιχμής και βάλτε το γράσο αιχμής που παρέχεται γιαυτό πριν τοποθετήσετε την αιχμή. **(Εικ. 1)**

Βάλτε την αιχμή στο μηχάνημα. Στρίψτε την αιχμή και σπρώχτε τη μέχρι να εμπλακεί. **(Εικ. 2)**

Εάν η αιχμή δεν μπορεί να σπρωχθεί μέσα αφαιρέστε τη. Τραβήχτε το κάλυμμα του σφιγκτήρα κάτω δύο φορές. Μετά βάλτε την αιχμή πάλι. Στρίψτε την αιχμή και σπρώχτε τη μέχρι να εμπλακεί. **(Εικ. 3)**


Μετά την τοποθέτηση, πάντοτε βεβαιώνετε ότι η αιχμή είναι καλά στερεωμένη προσπαθώντας να την τραβήξετε έξω.

Για να αφαιρέσετε την αιχμή, τραβήχτε το κάλυμμα του σφιγκτήρα κάτω όσο μπορεί να πάει και τραβήχτε έξω την αιχμή. **(Εικ. 4)**

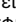
Επιλογή τρόπου δράσης

Όταν επιλέγετε τη διαμόρφωση δράσης, πρώτα θέστε το μοχλό αλλαγής και το μοχλό ανεβάσματος στη θέση που φαίνεται στην **Εικ. 5**. Επειτα ακολουθήστε τη διαδικασία ως ακολούθως.

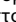
Περιστροφή με σφυροκόπημα (Εικ. 6 και 7)

Για τρυπάνισμα σε τσιμέντο, τοίχους κλπ., πατήστε το κουμπί ασφάλισης και περιστρέψτε το μοχλό αλλαγής έτσι ώστε ο δείκτης δείχνει στο σύμβολο . Χρησιμοποιείτε αιχμή βολφραμίου-ανθρακασβεστίου.

Μόνο σφυροκόπημα (Εικ. 6 και 8)

Για λειτουργίες πελεκίσματος, ξυσίματος ή κατεδάφισης, πατήστε το κουμπί ασφάλισης και περιστρέψτε το μοχλό αλλαγής έτσι ώστε ο δείκτης δείχνει στο σύμβολο . Χρησιμοποιείτε σφυροκέφαλο, ψυχρή σμίλη, σμίλη απόξυσης, κλπ.

Περιστροφή μόνο (Εικ. 6 και 9)

Για τρυπάνισμα σε ξύλο, μέταλλα ή πλαστικά υλικά, περιστρέψτε το μοχλό ανεβάσματος έτσι ώστε το σύμβολο  να είναι ευθυγραμμισμένο με τον δείκτη στο μοχλό αλλαγής. Χρησιμοποιείτε μια περιστροφική αιχμή ή μια ξύλινη αιχμή.

ΠΡΟΣΟΧΗ:

- Μην περιστρέφετε το μοχλό αλλαγής ή/και το μοχλό ανεβάσματος όταν η μηχανή λειτουργεί με φορτίο. Το μηχάνημα θα καταστραφεί.
- Για να αποφύγετε γρήγορη φθορά του μηχανισμού αλλαγής διαμόρφωσης, σιγουρευτείτε ότι ο μοχλός αλλαγής ή/και ο μοχλός ανεβάσματος είναι πάντα σωστά τοποθετημένοι σε μία από τις τρεις θέσεις διαμόρφωσης δράσης.


- Η διαμόρφωση δράσης δεν μπορεί να αλλάξει απευθείας από την διαμόρφωση “μόνο σφυροκόπημα” στην διαμόρφωση “μόνο περιστροφή” ή από την διαμόρφωση “μόνο περιστροφή” στην διαμόρφωση “μόνο σφυροκόπημα”. Πρώτα θέστε το μοχλό αλλαγής και το μοχλό ανεβάσματος στην διαμόρφωση “περιστροφή με σφυροκόπημα” όπως φαίνεται στην **Εικ. 5**. Επειτα θέστε τους στη θέση “μόνο περιστροφή” ή “μόνο σφυροκόπημα”.

Γωνία αιχμής


(σε πελεκίσμα, απόξυση, κατεδάφιση)

Σημαντικό:

Πάντοτε βεβαιώνετε ότι το μηχάνημα είναι σθηστό και αποσυνδεδεμένο πριν αλλάξετε γωνία αιχμής.

Η αιχμή μπορεί να στερηθεί σε 12 διαφορετικές γωνίες. Για να αλλάξετε τη γωνία αιχμής πατήστε το κουμπί ασφάλισης και περιστρέψτε το μοχλό αλλαγής έτσι ώστε ο δείκτης δείχνει στο σύμβολο . Στρίψτε την αιχμή στην επιθυμητή γωνία.

(Εικ. 10)

Πατήστε το κουμπί ασφάλισης και περιστρέψτε το μοχλό αλλαγής έτσι ώστε ο δείκτης δείχνει στο σύμβολο .

Μετά βεβαιωθείτε ότι η αιχμή είναι καλά στερεωμένη στρίβοντας την ελαφρά. **(Εικ. 11)**

Πλάγια λαβή (Εικ. 12)

ΠΡΟΣΟΧΗ:

- Χρησιμοποιείτε πάντοτε τη πλάγια λαβή για ασφάλεια λειτουργίας όταν τρυpanίζετε σε τσιμέντο, τοίχους, κλπ.
- Όταν το μηχάνημα αρχίζει να διαπερνά το τσιμέντο ή όταν η αιχμή χτυπήσει τις ράβδους ενίσχυσης του τσιμέντου, η αντίδραση του μηχανήματος μπορεί να είναι επικίνδυνη. Διατηρείτε καλή ισορροπία και ασφαλή θέση ποδιών ενώ κρατάτε το μηχάνημα σταθερά με τα δύο χέρια σας για να εμποδίσετε επικίνδυνη αντίδραση.

Η πλάγια λαβή στρέφεται σε εκάτερη πλευρά, επιτρέποντας εύκολη χρήση του μηχανήματος σε κάθε θέση. Χαλαρώστε τη πλάγια λαβή στρίβοντας την αριστερόστροφα, γυρίστε τη στην επιθυμητή θέση και μετά σφίχτε τη στρίβοντας την δεξιόστροφα.

Λειτουργία διακόπτη (Εικ. 13)

ΠΡΟΣΟΧΗ:

Πριν συνδέσετε το μηχάνημα στο ρεύμα, πάντοτε ελέγχετε να δείτε ότι η σκανδάλη διακόπτης ενεργοποιείται κανονικά και επιστρέφει στη θέση “OFF” όταν ελευθερώνεται.

Για να ξεκινήσετε το μηχάνημα, απλώς τραβήχτε τη σκανδάλη. Ελευθερώστε τη σκανδάλη να σταματήσει.

Αλλαγή ταχύτητας (Εικ. 14)

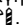
Οι περιστροφές και κτυπήματα ανά λεπτό μπορούν να ρυθμιστούν απλώς στρίβοντας το καντράν ρύθμισης. Το καντράν είναι βαθμολογημένο από 1 (χαμηλότερη ταχύτητα) μέχρι 6 (υψηλότερη ταχύτητα). Ανατρέξτε στον πίνακα παρακάτω για τη σχέση μεταξύ αριθμών ρύθμισης στο καντράν ρύθμισης και των περιστροφών/κτυπημάτων ανά λεπτό.

Αριθμός στο καντράν ρύθμισης	Στροφές ανά λεπτό	Κτύποι ανά λεπτό
6	720	3.300
5	690	3.150
4	590	2.700
3	490	2.250
2	390	1.800
1	360	1.650

Λειτουργία τρυπανίσματος με σφυροκόπημα (Εικ. 15)

ΠΡΟΣΟΧΗ:

Όταν το μηχάνημα αρχίζει να διαπερνά το τσιμέντο ή όταν η αιχμή χτυπήσει τις ράβδους ενίσχυσης του τσιμέντου, η αντίδραση του μηχανήματος μπορεί να είναι επικίνδυνη. Διατηρείτε καλή ισορροπία και ασφαλή θέση ποδιών ενώ κρατάτε το μηχάνημα σταθερά με τα δύο χέρια σας για να εμποδίσετε επικίνδυνη αντίδραση.

Ρυθμίστε το μοχλό αλλαγής και το μοχλό ανεβάσματος στο σύμβολο . Βάλτε την αιχμή στη θέση για την τρύπα και τραβήχτε την σκανδάλη. Μη ζορίζετε το μηχάνημα. Η ελαφρά πίεση δίνει τα καλύτερα αποτελέσματα. Διατηρείτε το μηχάνημα στη θέση του και μην το αφήσετε να γλιστρήσει έξω από την τρύπα. Μην εφαρμόσετε μεγαλύτερη πίεση όταν η τρύπα βουλώνει με αποξύσματα ή τεμαχίδια. Αντίθετα, λειτουργήστε το μηχάνημα στο ραλαντί, και βγάλετε το από τη τρύπα. Επαναλαμβάνοντας αυτό αρκετές φορές, η τρύπα θα καθαριστεί.


Περιοριστής ροπής

Ο περιοριστής ροπής θα ενεργοποιηθεί όταν μια ορισμένη στάθμη ροπής πλησιαστεί. Το μοτέρ θα αποσυνδεθεί από τον κινητήριο άξονα. Όταν αυτό συμβεί, η αιχμή θα σταματήσει να γυρίζει.

ΠΡΟΣΟΧΗ:


Μόλις ο περιοριστής ροπής ενεργοποιηθεί, σβήστε το μηχάνημα αμέσως. Αυτό θα βοηθήσει να εμποδίσει η πρόωμη φθορά του μηχανήματος.

Πελεκίσμα/Απόξυση/Κατεδάφιση (Εικ. 16)

Βάλτε το μοχλό αλλαγής στο σύμβολο . Κρατάτε το μηχάνημα σταθερά και με τα δύο χέρια. Ανάψτε το μηχάνημα και εφαρμόστε ελαφρά πίεση στο μηχάνημα ώστε να μην αναπηδήσει ανεξέλεγκτα. Πιέζοντας πολύ σκληρά το μηχάνημα δεν θα αυξήσει την απόδοση.

Διαδικασία τρυpanίσματος (Εικ. 17)

Χρησιμοποιείτε την προαιρετική μονάδα σφικτήρα τρυπανιού. Για τον τρόπο τοποθέτησης κοιτάξετε στο τμήμα “Τοποθέτηση ή αφαίρεση της αιχμής τρυπανιού” που βρίσκεται στην προηγούμενη σελίδα. Μπορείτε να τρυπήσετε μέχρι 13 χιλ. διάμετρο σε μέταλλο και μέχρι 30 χιλ. διάμετρο σε ξύλο.

Θέστε το μοχλό αλλαγής και το μοχλό ανεβάσματος στο σύμβολο .

- Τρυπάνισμα σε ξύλο
Όταν τρυpanίζετε σε ξύλο, τα καλύτερα αποτελέσματα επιτυγχάνονται με τρυπάνια ξύλου εφοδιασμένα με βίδα οδηγό. Η βίδα οδηγός κάνει το τρυπάνισμα ευκολότερο παρασύροντας την αιχμή μέσα στο αντικείμενο εργασίας.
- Τρυπάνισμα σε μέταλλο
Για να αποφύγετε γλίστρημα της αιχμής όταν αρχίζετε μία τρύπα, κάντε ένα βαθούλωμα με ένα καλέμι και σφυρί στο σημείο τρυpanισμού. Τοποθετήστε το άκρο της αιχμής στο βαθούλωμα και αρχίστε το τρυπάνισμα.
Χρησιμοποιείτε ένα λιπαντικό κοπής όταν τρυpanίζετε σε μέταλλα. Οι εξαιρέσεις είναι ο μπρούτζος που πρέπει να τρυpanίζονται στεγνά.

ΠΡΟΣΟΧΗ:

- Πιέζοντας υπερβολικά στο μηχανήμα δεν θα επιταχύνει το τρυπάνισμα. Στη πραγματικότητα, αυτή η υπερβολική πίεση θα προκαλέσει μόνο ζημιά στο άκρο της αιχμής, θα μειώσει την απόδοση του μηχανήματος και θα βραχύνει τον ωφέλιμο χρόνο χρήσης του μηχανήματος.
- Ποτέ μη χρησιμοποιείτε “περιστροφή με σφυροκόπημα” όταν το σύνολο σφικτήρα τρυπανιού είναι τοποθετημένο στο εργαλείο. Το σύνολο σφικτήρα τρυπανιού μπορεί να πάθει ζημιά.

Μετρητής βάθους (Εικ. 18)

Ο μετρητής βάθους είναι βολικός για άνοιγμα τρυpanών ενιαίου βάθους. Χαλαρώστε τη βίδα σφίξιματος και ρυθμίστε το μετρητή βάθους στο επιθυμητό βάθος. Μετά τη ρύθμιση, σφίχτε τη βίδα σφίξιματος σταθερά.

ΠΑΡΑΤΗΡΗΣΗ:

Ο μετρητής βάθους δε μπορεί να χρησιμοποιηθεί στη θέση όπου ο μετρητής βάθους χτυπάει στο κιβώτιο ταχυτήτων/περίβλημα μοτέρ.

Ενδεικτικό λαμπάκι (Εικ. 19)

Το πράσινο ενδεικτικό λαμπάκι ρεύματος φωτίζεται όταν το μηχάνημα ανάψει. Εάν το λαμπάκι φωτίζεται αλλά το μηχάνημα δεν ξεκινά, οι ψήκτρες άνθρακος μπορεί να έχουν φθαρεί, ή το ηλεκτρικό κύκλωμα στο μοτέρ μπορεί να έχει βλάβη. Εάν το λαμπάκι δεν φωτίζεται και το μηχάνημα δεν ξεκινά, ο διακόπτης ON/OFF στο καλώδιο ρεύματος μπορεί να έχει βλάβη.

Το κόκκινο λαμπάκι συντήρησης φωτίζεται όταν οι ψήκτρες άνθρακος είναι σχεδόν κατεστραμμένες για να δείξει ότι το μηχάνημα χρειάζεται συντήρηση. Μετά από 8 ώρες χρήσης, το μοτέρ θα σβήσει αυτόματα.

ΣΥΝΤΗΡΗΣΗ

ΠΡΟΣΟΧΗ:

Πριν την εκτέλεση εργασιών με τη μηχανή σβήνομε πάντα τη μηχανή και βγάζομε τη πρίζα.

Αντικατάσταση των ψηκτρών άνθρακα

(Εικ. 20 και 21)

Όταν οι ψήκτρες άνθρακος πρέπει να αντικατασταθούν, αποσυνδέουν το μηχάνημα αυτόματα. Όταν αυτό συμβαίνει, αφαιρέστε τις βίδες που στερεώνουν το κάλυμμα θήκης των ψηκτρών. Αφαιρέστε το κάλυμμα θήκης ψηκτρών και καπάκι θήκης ψηκτρών. Μετά αντικαταστήστε και τις δύο ψήκτρες άνθρακος ταυτόχρονα. Χρησιμοποιείτε μόνο πανομοιότυπες ψήκτρες.

Λίπανση

Αυτό το μηχάνημα δεν χρειάζεται ωριαία ή ημερήσια λίπανση γιατί έχει ένα σύστημα λίπανσης αποθηκευμένου γράσσου. Λιπάνετε το μηχάνημα κάθε φορά που οι ψήκτρες άνθρακα αντικαθιστούνται.

Λειτουργήστε το μηχάνημα για μερικά λεπτά για να ζεσταθεί. Σβήστε και αποσυνδέστε το μηχάνημα από το ρεύμα.

Χαλαρώστε τις έξι βίδες και αφαιρέστε τη λαβή. Σημειώστε ότι οι βίδες κορυφής είναι διαφορετικές από τις άλλες βίδες. (Εικ. 22)

Αποσυνδέστε τον σύνδεσμο τραβώντας τον. (Εικ. 23)

Αφαιρέστε το καπάκι στροφαλοφόρου με ένα εξαγ. κλειδί. (Εικ. 24)

Ακουμπήστε το μηχάνημα στο τραπέζι με την άκρη της αιχμής προς τα επάνω. Αυτό θα επιτρέψει στο παλιό γράσσο να συγκεντρωθεί στο εσωτερικό του περιβλήματος του στροφαλοφόρου. Σφουγγίστε το παλιό γράσσο και αντικαταστήστε το με φρέσκο (30 γρ.). Χρησιμοποιείτε μόνο αυθεντικό γράσσο σφυριού Μάκιτα (προαιρετικό είδος). Γεμίζοντας με περισσότερο από το ενδεικνυόμενο ποσό γράσσου (περίπου 30 γρ.) μπορεί να προκαλέσει εσφαλμένη λειτουργία σφυροκόπησης ή βλάβη του μηχανήματος. Γεμίστε μόνο με το ενδεικνυόμενο ποσό γράσσου. Ξανατοποθετήστε το καπάκι στροφαλοφόρου και σφίξτε με το εξαγ. κλειδί. (Εικ. 25)

Συνδέστε τον σύνδεσμο και επανατοποθετήστε την λαβή. (Εικ. 26)

ΠΡΟΣΟΧΗ:

- Προσέχετε να μη προκαλέσετε ζημιά στους πόλους ή στα καλώδια μολύβδου ειδικά όταν σφουγγίζετε το παλιό γράσσο ή τοποθετείτε τη λαβή.
- Μη σφίγγετε το καπάκι στροφαλοφόρου υπερβολικά. Είναι κατασκευασμένο από ρητίνη και είναι εύθραυστο.

Για τη διασφάλιση της σιγουριάς και αξιοπιστίας των προϊόντων μας πρέπει οι επισκευές, εργασίες συντήρησης ή ρυθμίσεις να εκτελούνται από εξουσιοδοτημένα εργαστήρια σέρβις πελατών Μάκιτα.

GB ACCESSORIES

CAUTION:

These accessories or attachments are recommended for use with your Makita tool specified in this manual. The use of any other accessories or attachments might present a risk of injury to persons. The accessories or attachments should be used only in the proper and intended manner.

F ACCESSOIRES

ATTENTION :

Ces accessoires ou ces fixations sont recommandés pour l'utilisation de l'outil Makita spécifié dans ce manuel. L'utilisation d'autres accessoires ou fixations peut présenter un risque de blessures. Les accessoires ou les fixations ne devront être utilisés que dans le but et de la manière prévus.

D ZUBEHÖR

VORSICHT:

Das mitgelieferte Zubehör ist speziell für den Gebrauch mit dem in dieser Betriebsanleitung angegebenen Makita-Elektrowerkzeug vorgesehen. Bei Verwendung von Fremdzubehör in Verbindung mit dieser Maschine besteht Verletzungsgefahr.

I ACCESSORI

ATTENZIONE:

Gli accessori o raccordi seguenti sono raccomandati per l'uso con l'utensile Makita specificato in questo manuale. L'uso di qualsiasi altro accessorio o raccordo potrebbe causare pericoli di ferite alle persone. Gli accessori o raccordi devono essere usati soltanto nel modo corretto e specificato.

NL ACCESSOIRES

LET OP:

Deze accessoires of hulpstukken zijn aanbevolen voor gebruik met uw Makita gereedschap dat in deze gebruiksaanwijzing is beschreven. Het gebruik van andere accessoires of hulpstukken kan gevaar voor persoonlijke verwondingen opleveren. De accessoires of hulpstukken dienen alleen op de juiste en voorgeschreven manier te worden gebruikt.

E ACCESORIOS

PRECAUCIÓN:

Estos accesorios o acoplamientos están recomendados para usar con la herramienta Makita especificada en este manual. Con el uso de cualquier otro accesorio o acoplamiento se podría correr el riesgo de producir heridas a personas. Los accesorios o acoplamientos deberán usarse solamente de la manera apropiada y para la que han sido designados.

P ACESSÓRIOS

PRECAUÇÃO:

Estes acessórios ou acoplamentos são os recomendados para uso na ferramenta MAKITA especificada neste manual. A utilização de quaisquer outros acessórios ou acoplamento poderá ser perigosa para o operador. Os acessórios ou acoplamentos devem ser utilizados de maneira adequada e apenas para os fins a que se destinam.

DK TILBEHØR

ADVARSEL:

Dette udstyr og tilbehør bør anvendes sammen med Deres Makita maskine, sådan som det er beskrevet i denne vejledning. Anvendelse af andet udstyr eller tilbehør kan medføre personskade. Tilbehøret bør kun anvendes til det, det er beregnet til.

S TILLBEHÖR

FÖRSIKTIGHET:

Dessa tillbehör eller tillsatser rekommenderas endast för användning tillsammans med din Makita maskin som specificeras i denna bruksanvisning. Användning av andra tillbehör eller tillsatser kan medföra risk för personskador. Tillbehören och tillsatserna får endast användas på lämpligt och där för avsett sätt.

N TILBEHØR

NB!

Dette tilbehøret eller utstyret anbefales til å brukes sammen med din Makita maskin som er spesifisert i denne bruksanvisningen. Bruk av annet tilbehør eller utstyr kan medføre en risiko for personskader. Tilbehør og utstyr må bare brukes som spesifisert og bare til det det er beregnet til.

SF LISÄVARUSTEET

VARO:

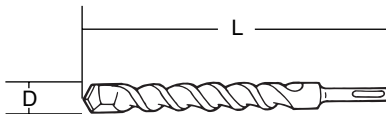
Tässä käyttöohjeessa mainitun Makita-koneen kanssa suositellaan seuraavien lisälaitteiden ja -varusteiden käyttöä. Minkä tahansa muun lisälaitteen tai -varusteen käyttäminen saattaa aiheuttaa loukkaantumisvaaran. Lisälaitteita ja -varusteita tulee käyttää ainoastaan niille sopivalla tavalla.

GR ΕΞΑΡΤΗΜΑΤΑ

ΠΡΟΣΟΧΗ:

Αυτά τα εξαρτήματα ή προσαρτήματα συνιστώνται για χρήση με το μηχάνημα της Μάκιτα που περιγράφεται στο εγχειρίδιο αυτο. Η χρήση άλλων εξαρτημάτων ή προσαρτημάτων μπορεί να είναι επικίνδυνη για τραυματισμό ατόμων. Τα εξαρτήματα ή προσαρτήματα πρέπει να χρησιμοποιούνται μόνο με το σωστό και προτιθέμενο τρόπο.

- SDS Plus Tungsten-carbide tipped bit
- Foret à pointe en carbure de tungstène SDS plus
- SDS Plus Einsatzwerkzeug mit Hartmetallspitze
- Punta SDS Plus con riporto al carburo di tungsteno
- SDS Plus boor met wolframcarbide punt
- Implemento de punta de carburo de tungsteno SDS-plus
- Broca de carboneto de tungsténio SDS Plus
- SDS-Plus HM bor
- SDS+ hårdad borr
- SDS Plus bits med wolframkarbidspiss
- SDS Plus volframikarbidikärkinen terä
- Αιχμή SDS πρόσθετα επιβολοφραμωμένη - επικαρβιδιωμένη



D (mm)	4.0	4.3	4.5	4.8	5.0	5.5	6.0	6.4	6.5	7.0	7.5	8.0	8.5	9.0	9.5	10.0	10.5	11.0
L (mm)	110											160						
D (mm)	12.0	12.5	12.7	13.0	13.5	14.0	14.3	14.5	15.0	16.0	16.5							
L (mm)	166																	
D (mm)	17.0	17.5	18.0	19.0	20.0	21.0	21.5	22.0	23.0	24.0								
L (mm)	200							250										

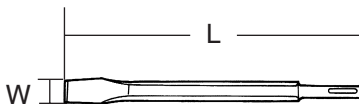
- Bull point
- Pointe à béton
- Straßenaufreiber
- Punta toro
- Puntbeitel
- Puntero
- Ponteiro
- Spidsmejsel
- Kőrnare
- Kjørner
- Lattataltta
- Κεντρικό σημείο



W x L (mm)

14 x 250

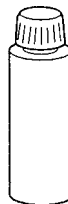
- Cold chisel
- Ciseau à froid
- Kaltmeißel
- Scalpello a freddo
- Koudbeitel
- Cortafriós
- Talhadeira a frio
- Fladmejsel
- Huggmejsel
- Kaldmeisel
- Kylmätalтта
- Κρύα σμίλη

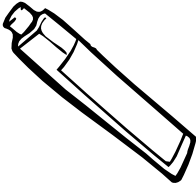
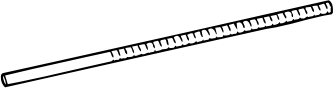
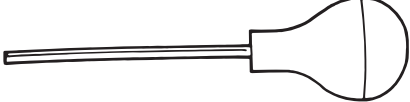

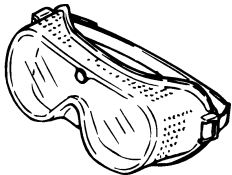


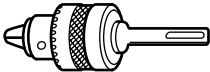
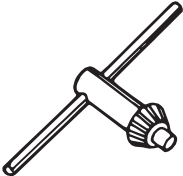

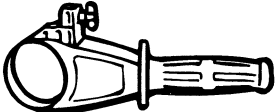
W x L (mm)

20 x 250

- Hammer grease (30 g)
- Lubrifiant (30 g)
- Hammerfett (30 g)
- Grasso per martelli (30 g)
- Smeervet voor hamermechanisme (30 g)
- Grasa para martillo (30 g)
- Mass lubrificante para o martelo (30 gr.)
- Mejsselfedt (30 g)
- Hammarfett (30 g)
- Hammerfett (30g)
- Vasararasva (30 g)
- Γράσσοσ σφυριού (30 γρ.)



<ul style="list-style-type: none"> • Bit grease (100 g) • Graisse rose (100 g) • Bohrerfett (100 g) • Grasso per punte (100 g) • Boorvet (100 g) • Grasa para broca (100 g) • Massa lubrificante para a broca (100 gr.) • Bor- og mejselfedt (100 g) • Verktøysolja (100 g) • Bitsfett (100g) • Terärasva (100 g) • Γράσσοσ αιχμής (100 γρ.) 	
<ul style="list-style-type: none"> • Depth gauge • Tige de profondeur • Tiefenanzeige • Calibro di profondità • Dieptemaat • Medidor de profundidad • Indicador de profundidade • Dybdeanslag • Djupanslag • Dybdemåler • Syvvyystulkki • Οδηγός βάθους 	
<ul style="list-style-type: none"> • Blow-out bulb • Poire soufflante • Schlagbirne • Soffiapolvere • Blaasppeer • Soplador • Soprador • Udblæser • Blås • Blåsebelg • Puhallin • Φούσκα ξεφουσίματος 	
<ul style="list-style-type: none"> • Dust cup • Recueille-poussières • Staubkappe • Parapolvere • Stofdop • Protector de polvo • Recipiente para o pó • Støvbeskyttelseskappe • Dammkápa • Støvkopp • Pölykansi • Κούπα σκόνης 	
<ul style="list-style-type: none"> • Safety goggles • Lunettes de sécurité • Schutzbrille • Occhiali di protezione • Veiligheidsbril • Gafas de seguridad • Oculos de protecção • Beskyttelsesbriller • Skyddsglasögon • Vernebriller • Suojalasit • Γυαλιά ασφαλείας 	

<ul style="list-style-type: none"> • Drill chuck • Mandrin • Bohrfutter • Mandrino trapano • Boorkop • Mandril • Mandril • Borepatron • Borrchuck • Borechuck • Poraistukka • Σφιχτήρας αιχμής 	
<ul style="list-style-type: none"> • Chuck key S13 • Clé à mandrin S13 • Bohrfutterschlüssel S13 • Chiave S13 per mandrino • Boorkopsleutel S13 • Llave de mandril S13 • Chave do mandril S13 • Nøgle til borepatron S13 • Chucknøkkel S13 • Chucknøkkel S13 • Istukka-avain S13 • Κλειδί σφιξίματος S13 	
<ul style="list-style-type: none"> • Plastic carrying case • Mallette de transport en plastique • Tragekoffer • Valigetta di plastica • Plastic draagkoffer • Maletín de plástico • Mala de transporte de plástico • Transportkuffert, kunststof • Bärväska av plast • Bæreeveske i plast • Muovinen kantokotelo • Πλαστική θήκη μεταφοράς 	
<ul style="list-style-type: none"> • Side grip • Poignée latérale • Seitengriff • Impugnatura laterale • Zijhandgreep • Empuñadura lateral • Punho lateral • Sidegreb • Sidohandtag • Støttehåndtak • Slvukahva • Πλάγια λαβή 	

ENGLISH**EC-DECLARATION OF CONFORMITY**

We declare under our sole responsibility that this product is in compliance with the following standards of standardized documents, HD400, EN50144, EN55014, EN61000 in accordance with Council Directives, 73/23/EEC, 89/336/EEC and 98/37/EC.

FRANÇAISE**DÉCLARATION DE CONFORMITÉ CE**

Nous déclarons sous notre entière responsabilité que ce produit est conforme aux normes des documents standardisés suivants, HD400, EN50144, EN55014, EN61000 conformément aux Directives du Conseil, 73/23/CEE, 89/336/CEE et 98/37/EG.

DEUTSCH**CE-KONFORMITÄTSERLÄRUNG**

Hiermit erklärt wir unter unserer alleinigen Verantwortung, daß dieses Produkt gemäß den Ratsdirektiven 73/23/EWG, 89/336/EWG und 98/37/EG mit den folgenden Normen von Normendokumenten übereinstimmen:

HD400, EN50144, EN55014, EN61000.

ITALIANO**DICHIARAZIONE DI CONFORMITÀ
CON LE NORME DELLA COMUNITÀ EUROPEA**

Dichiariamo sotto la nostra sola responsabilità che questo prodotto è conforme agli standard di documenti standardizzati seguenti:

HD400, EN50144, EN55014, EN61000

secondo le direttive del Consiglio 73/23/CEE, 89/336/CEE e 98/37/CE.

NEDERLANDS**EG-VERKLARING VAN CONFORMITEIT**

Wij verklaren hierbij uitsluitend op eigen verantwoordelijkheid dat dit produkt voldoet aan de volgende normen van genormaliseerde documenten,

HD400, EN50144, EN55014, EN61000

in overeenstemming met de richtlijnen van de Raad 73/23/EEC, 89/336/EEC en 98/37/EC.

ESPAÑOL**DECLARACIÓN DE CONFORMIDAD DE LA CE**

Declaramos bajo nuestra sola responsabilidad que este producto cumple con las siguientes normas de documentos normalizados,

HD400, EN50144, EN55014, EN61000

de acuerdo con las directivas comunitarias, 73/23/EEC, 89/336/EEC y 98/37/CE.

PORTUGUÊS**DECLARAÇÃO DE CONFORMIDADE DA CE**

Declaramos sob inteira responsabilidade que este produto obedece às seguintes normas de documentos normalizados, HD400, EN50144, EN55014, EN61000 de acordo com as directivas 73/23/CEE, 89/336/CEE e 98/37/CE do Conselho.

DANSK**EU-DEKLARATION OM KONFORMITET**

Vi erklærer hermed på eget ansvar, at dette produkt er i overensstemmelse med de følgende standarder i de normsættende dokumenter,

HD400, EN50144, EN55014, EN61000

i overensstemmelse med Rådets Direktiver 73/23/EEC, 89/336/EEC og 98/37/EC.

SVENSKA**EG-DEKLARATION OM ÖVERENSSTÄMMELSE**

Under eget ansvar deklarerar vi härmed att denna produkt överensstämmer med följande standardiseringar för standardiserade dokument,

HD400, EN50144, EN55014, EN61000

i enlighet med EG-direktiven 73/23/EEC, 89/336/EEC och 98/37/EC.

NORSK**EuS SAMSVARS-ERKLÆRING**

Vi erklærer på eget ansvar at dette produktet er i overensstemmelse med følgende standard i de standardiserte dokumenter:

HD400, EN50144, EN55014, EN61000,

i samsvar med Råds-direktivene, 73/23/EEC, 89/336/EEC og 98/37/EC.

SUOMI**VAKUUTUS EC-VASTAAVUUDESTA**

Yksinomaisesti vastuullisina ilmoitamme, että tämä tuote on seuraavien standardoitujen dokumenttien standardien mukainen,

HD400, EN50144, EN55014, EN61000

neuvoston direktiivien 73/23/EEC, 89/336/EEC ja 98/37/EC mukaisesti.

ΕΛΛΗΝΙΚΑ**ΔΗΛΩΣΗ ΣΥΜΜΟΡΦΩΣΗΣ ΕΚ**

Δηλώνουμε υπό την μοναδική μας ευθύνη ότι αυτό το προϊόν βρίσκεται σε Συμφωνία με τα ακόλουθα πρότυπα τυποποιημένων εγγράφων,

HD400, EN50144, EN55014, EN61000

σύμφωνα με τις Οδηγίες του Συμβουλίου, 73/23/EEC, 89/336/EEC και 98/37/ΚΕ.

Yasuhiko Kanzaki CE 2003



Director	Director
Directeur	Direktør
Direktor	Direktör
Amministratore	Direktor
Directeur	Johntaja
Director	Διευθυντής

MAKITA INTERNATIONAL EUROPE LTD.

Michigan Drive, Tongwell, Milton Keynes,
Bucks MK15 8JD, ENGLAND

ENGLISH

Noise and Vibration

The typical A-weighted noise levels are
sound pressure level: 89 dB (A)
sound power level: 102 dB (A)
– Wear ear protection. –

The typical weighted root mean square acceleration value is 9 m/s^2 .

FRANÇAISE

Bruit et vibrations

Les niveaux de bruit pondérés A types sont:
niveau de pression sonore: 89 dB (A)
niveau de puissance du son: 102 dB (A)
– Porter des protecteurs anti-bruit. –
L'accélération pondérée est de 9 m/s^2 .

DEUTSCH

Geräusch- und Vibrationsentwicklung

Die typischen A-bewerteten Geräuschpegel betragen:
Schalldruckpegel: 89 dB (A)
Schalleistungspegel: 102 dB (A)
– Gehörschutz tragen. –

Der gewichtete Effektivwert der Beschleunigung beträgt 9 m/s^2 .

ITALIANO

Rumore e vibrazione

I livelli del rumore pesati secondo la curva A sono:
Livello pressione sonora: 89 dB (A)
Livello potenza sonora: 102 dB (A)
– Indossare i paraorecchi. –
Il valore quadratico medio di accelerazione è di 9 m/s^2 .

NEDERLANDS

Geluidsniveau en trilling

De typische A-gewogen geluidsniveau's zijn
geluidsdrukniveau: 89 dB (A)
geluidsenergie-niveau: 102 dB (A)
– Draag oorbeschermers. –
De typische gewogen effectieve versnellingswaarde is 9 m/s^2 .

ESPAÑOL

Ruido y vibración

Los niveles típicos de ruido ponderados A son
presión sonora: 89 dB (A)
nivel de potencia sonora: 102 dB (A)
– Póngase protectores en los oídos. –
El valor ponderado de la aceleración es de 9 m/s^2 .

PORTUGUÊS

Ruído e vibração

Os níveis normais de ruído A são
nível de pressão de som: 89 dB (A)
nível do som: 102 dB (A)
– Utilize protectores para os ouvidos –
O valor médio da aceleração é 9 m/s^2 .

DANSK

Lyd og vibration

De typiske A-vægtede lyd niveauer er
lydtryksniveau: 89 dB (A)
lydeffektniveau: 102 dB (A)
– Bær høreværn. –
Den vægtede effektive accelerationsværdi er 9 m/s^2 .

SVENSKA

Buller och vibration

De typiska A-vägda bullernivåerna är
ljudtrycksnivå: 89 dB (A)
ljudeffektnivå: 102 dB (A)
– Använd hörselskydd –
Det typiskt vägda effektivvärdet för acceleration är 9 m/s^2 .

NORSK

Støy og vibrasjon

De vanlige A-belastede støynivå er
lydtrykksnivå: 89 dB (A)
lydstyrkenivå: 102 dB (A)
– Benytt hørselvern. –
Den vanlig belastede effektiv-verdi for akselerasjon er 9 m/s^2 .

SUOMI

Melutaso ja tärinä

Tyypilliset A-painotetut melutasot ovat
äänenpainetaso: 89 dB (A)
äänen tehotaso: 102 dB (A)
– Käytä kuulosuojaimia. –
Tyypillinen kiihtyvyyden painotettu tehollisarvo on 9 m/s^2 .

ΕΛΛΗΝΙΚΑ

Θόρυβος και κραδασμός

Οι τυπικές Α-μετρούμενες εντάσεις ήχου είναι
πίεση ήχου: 89 dB (A)
δύναμη του ήχου: 102 dB (A)
– Φοράτε ωτοασπίδες. –
Η τυπική αξία της μετρούμενης ρίζας του μέσου τετραγώνου της επιτάχυνσης είναι 9 m/s^2 .

Makita Corporation

884253B994